

(12) **United States Patent**  
**Conrad et al.**

(10) **Patent No.:** **US 10,456,840 B2**  
(45) **Date of Patent:** **Oct. 29, 2019**

(54) **PIPE CUTTING TOOL AND METHODS FOR USE**

(71) Applicant: **Omachron Intellectual Property Inc.,**  
Hampton (CA)

(72) Inventors: **Wayne Ernest Conrad,** Hampton (CA); **Nina Conrad,** Hampton (CA); **Brian Burke,** Courtice (CA); **Don Vivian,** Bowmanville (CA)

(73) Assignee: **Omachron Intellectual Property Inc.,**  
Hampton, Ontario (CA)

(\* ) Notice: Subject to any disclaimer, the term of this patent is extended or adjusted under 35 U.S.C. 154(b) by 0 days.

(21) Appl. No.: **15/935,986**

(22) Filed: **Mar. 26, 2018**

(65) **Prior Publication Data**  
US 2018/0214957 A1 Aug. 2, 2018

**Related U.S. Application Data**

(62) Division of application No. 14/471,781, filed on Aug. 28, 2014, now Pat. No. 9,962,769.

(30) **Foreign Application Priority Data**  
Sep. 27, 2013 (CA) ..... 2829002

(51) **Int. Cl.**  
**B23B 5/08** (2006.01)  
**B23B 5/14** (2006.01)  
(Continued)

(52) **U.S. Cl.**  
CPC ..... **B23B 5/08** (2013.01); **B23B 5/14** (2013.01); **B23B 5/16** (2013.01); **B23B 5/165** (2013.01);  
(Continued)

(58) **Field of Classification Search**  
CPC ..... B23B 5/14; B23B 5/16; B23B 2215/72; B23B 2220/04; B23B 2220/08;  
(Continued)

(56) **References Cited**  
U.S. PATENT DOCUMENTS

2,961,363 A 11/1960 Lowes  
3,307,997 A 3/1967 Detrick  
(Continued)

FOREIGN PATENT DOCUMENTS

DE 102009061082 A1 5/2012  
DE 102009061082 B4 6/2013  
(Continued)

OTHER PUBLICATIONS

English machine translation of DE102009061082A1, published on May 10, 2012.

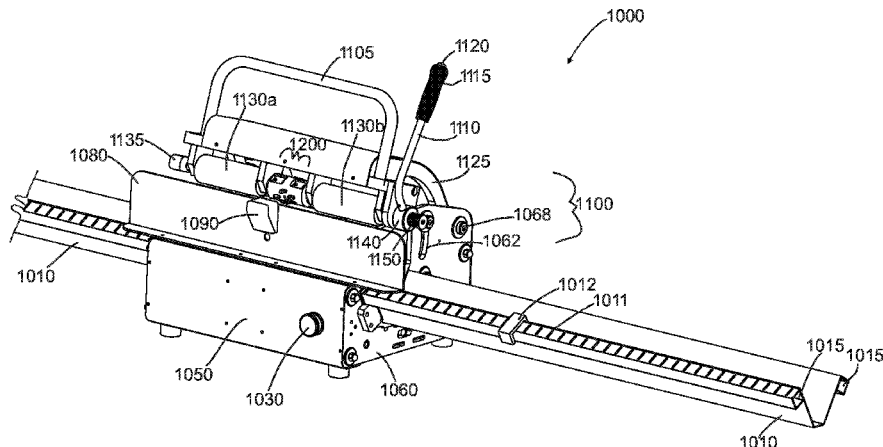
(Continued)

*Primary Examiner* — Sara Addisu  
(74) *Attorney, Agent, or Firm* — Philip C. Mendes da Costa; Bereskin & Parr LLP/S.E.N.C.R.L., s.r.l.

(57) **ABSTRACT**

An apparatus for cutting a pipe has a base comprising a pipe support having at least one set of lower rollers and an upper frame supporting a cutting apparatus and at least one upper roller. The upper frame is moveable relative to the base between an open position in which the pipe may be inserted between the at least one set of lower rollers and the at least one upper roller, and a clamping position in which the pipe is in contact with the at least one set of lower rollers and the at least one upper roller. The cutting apparatus comprises a grooving member configured to provide an annular groove on an outer surface of the pipe, a cutting member configured to cut the pipe, and a chamfering member configured to

(Continued)



provide a chamfer on the outer surface of the pipe between a location of the annular groove and a location of the cut in the pipe.

15 Claims, 47 Drawing Sheets

- (51) **Int. Cl.**  
*B23B 5/16* (2006.01)  
*B23B 31/12* (2006.01)  
*B23B 29/26* (2006.01)  
*B26D 3/16* (2006.01)  
*B26D 3/02* (2006.01)  
*B26D 3/06* (2006.01)  
*B26D 7/27* (2006.01)

- (52) **U.S. Cl.**  
 CPC ..... *B23B 29/26* (2013.01); *B26D 3/02* (2013.01); *B26D 3/06* (2013.01); *B26D 3/16* (2013.01); *B26D 7/27* (2013.01); *B23B 2215/72* (2013.01); *B23B 2220/04* (2013.01); *B23B 2220/08* (2013.01); *B23B 2220/12* (2013.01); *B23B 2226/61* (2013.01); *Y10T 82/16* (2015.01); *Y10T 82/16016* (2015.01); *Y10T 82/16967* (2015.01); *Y10T 82/22* (2015.01)

- (58) **Field of Classification Search**  
 CPC . *B23B 2220/12*; *B23B 2226/61*; *B23B 29/26*; *B23B 5/163*; *B23B 31/1269*; *B23B 31/1261*; *B23B 5/161*; *B23B 31/12*; *B23B 5/165*; *B23B 5/08*; *B26D 3/16*; *B26D 3/02*; *B26D 3/06*; *B26D 7/27*; *F16B 2/10*; *F16B 2/12*; *B23Q 7/05*; *B23Q 31/1276*; *B23Q 1/76*  
 See application file for complete search history.

- (56) **References Cited**  
 U.S. PATENT DOCUMENTS  
 3,473,359 A 10/1969 Joslin  
 3,475,239 A 10/1969 Fearon et al.  
 3,535,963 A 10/1970 Dietl  
 3,563,574 A 2/1971 Jackson et al.  
 3,663,335 A 5/1972 Sheedy  
 3,751,308 A 8/1973 Bishop et al.  
 3,847,694 A 11/1974 Stewing  
 3,854,756 A 12/1974 Couch  
 3,895,051 A 7/1975 Umemura et al.  
 3,929,538 A 12/1975 Diebel  
 3,957,382 A 5/1976 Greuel, Jr. et al.  
 3,969,170 A 7/1976 Landgraf  
 3,985,051 A 10/1976 Brown  
 4,090,899 A 5/1978 Reich  
 4,092,193 A 5/1978 Brooks  
 4,132,578 A 1/1979 Gell, Jr.  
 4,191,407 A 3/1980 Bretone, Jr.  
 4,228,939 A 10/1980 Cattaneo  
 4,274,662 A 6/1981 De Groot et al.  
 4,362,684 A 12/1982 Thalmann  
 4,416,174 A 11/1983 Owsen  
 4,434,320 A 2/1984 Klein et al.  
 4,465,422 A 8/1984 Blust, Sr. et al.  
 4,508,368 A 4/1985 Blumenkranz  
 4,546,681 A 10/1985 Owsen

4,585,607 A 4/1986 Krackeler et al.  
 4,638,655 A 1/1987 Sebastian et al.  
 4,691,600 A 9/1987 Carlson et al.  
 4,804,209 A 2/1989 Fischer  
 4,852,914 A 8/1989 Lyall  
 4,880,579 A 11/1989 Murata et al.  
 5,116,082 A 5/1992 Nanda et al.  
 5,125,690 A 6/1992 Taylor et al.  
 5,141,580 A 8/1992 Dufour et al.  
 5,158,327 A 10/1992 Rowe  
 5,182,440 A 1/1993 Dufour et al.  
 5,252,157 A 10/1993 Inhofe, Jr.  
 5,282,403 A 2/1994 Rouleau  
 5,313,034 A 5/1994 Grimm et al.  
 5,443,056 A 8/1995 Smith et al.  
 5,466,916 A 11/1995 Iguchi et al.  
 5,478,118 A 12/1995 Barq et al.  
 5,487,411 A 1/1996 Goncalves  
 5,529,656 A 6/1996 Ewen et al.  
 5,532,459 A 7/1996 Steinmetz et al.  
 5,549,024 A 8/1996 Ricci  
 5,670,012 A 9/1997 Porfido et al.  
 5,710,413 A 1/1998 King et al.  
 5,908,575 A 6/1999 Smith et al.  
 5,921,587 A 7/1999 Lueghamer  
 5,951,902 A 9/1999 Goodman et al.  
 5,988,689 A 11/1999 Lever  
 6,149,756 A 11/2000 Jarvenkyla  
 6,193,834 B1 2/2001 Smith  
 6,198,081 B1 3/2001 Steinmetz et al.  
 6,278,095 B1 8/2001 Bass et al.  
 6,375,226 B1 4/2002 Dickinson et al.  
 6,431,282 B1 8/2002 Bosma et al.  
 6,585,924 B1 7/2003 Harget et al.  
 6,652,690 B1 11/2003 Rovira  
 6,698,321 B2 3/2004 Oswald  
 6,918,278 B2 7/2005 Dole et al.  
 6,998,588 B2 2/2006 Harget et al.  
 7,015,421 B2 3/2006 Nakagawa  
 7,313,992 B2 1/2008 Hall  
 7,338,085 B2 3/2008 Toriyabe et al.  
 7,472,464 B2 1/2009 Hall  
 8,061,249 B1 11/2011 Kaehr et al.  
 9,586,275 B2 3/2017 Priha et al.  
 2001/0048223 A1 12/2001 Campbell  
 2002/0100540 A1 8/2002 Savitski et al.  
 2002/0121173 A1 9/2002 Filipo  
 2003/0080561 A1 5/2003 Martin  
 2004/0251575 A1 12/2004 St. Onge et al.  
 2005/0053440 A1 3/2005 Hall  
 2006/0016552 A1 1/2006 Barbone et al.  
 2006/0197338 A1 9/2006 Ziu et al.  
 2007/0028451 A1 2/2007 Kaehr et al.  
 2007/0110531 A1 5/2007 Hall  
 2007/0205004 A1 9/2007 Perkovich et al.  
 2008/0257604 A1 10/2008 Becker et al.  
 2009/0001643 A1 1/2009 Rehm  
 2010/0072742 A1 3/2010 LaMarca et al.  
 2010/0212766 A1 8/2010 Kiest, Jr.  
 2011/0168289 A1 7/2011 Kouroggi et al.  
 2011/0197987 A1 8/2011 Koravos et al.  
 2012/0048417 A1 3/2012 Smith et al.

FOREIGN PATENT DOCUMENTS

WO 2011045607 A1 4/2011  
 WO 2012007106 A1 1/2012

OTHER PUBLICATIONS

English machine translation of DE102009061082B4, dated Jun. 13, 2013.

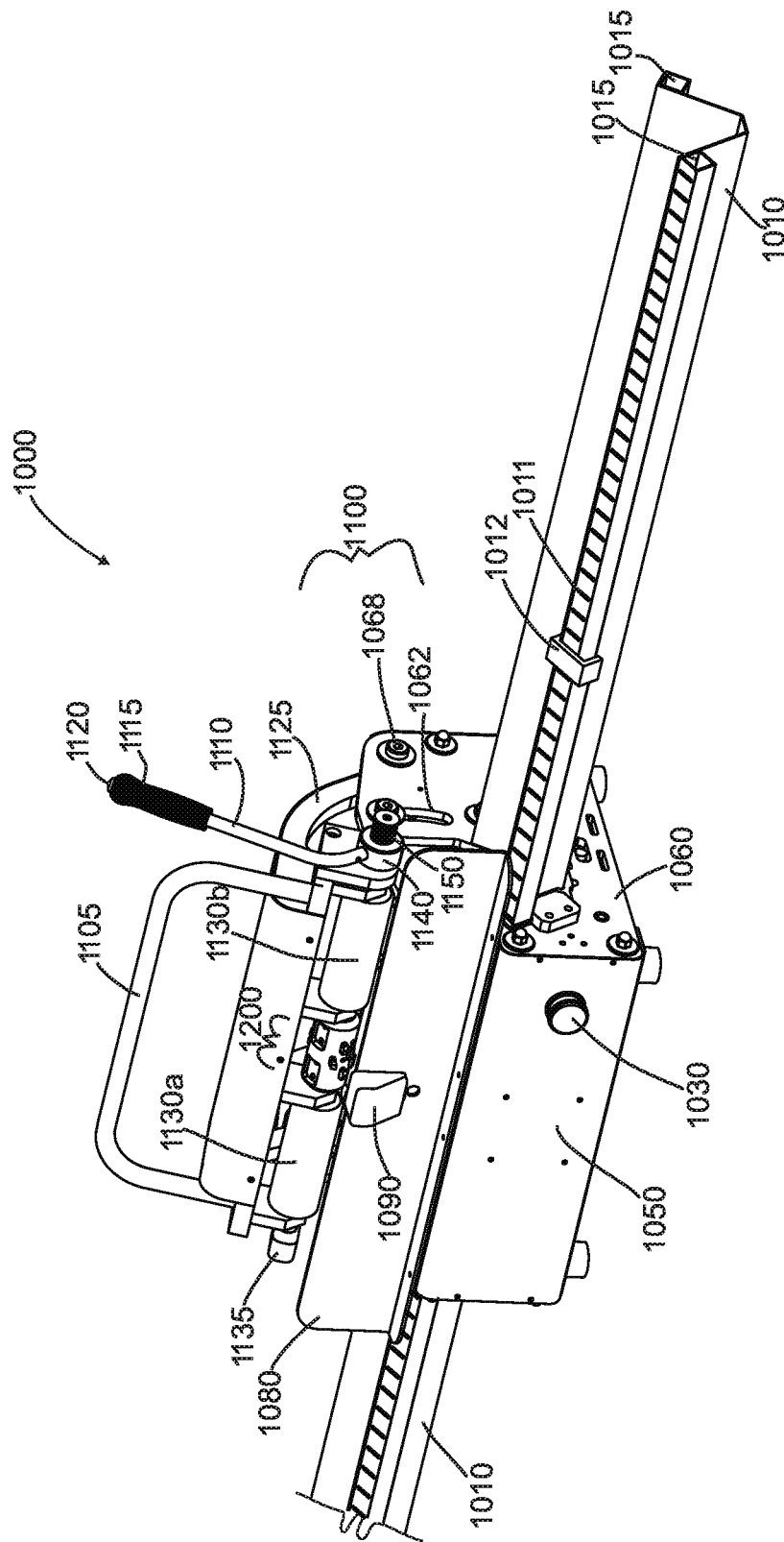


Fig. 1

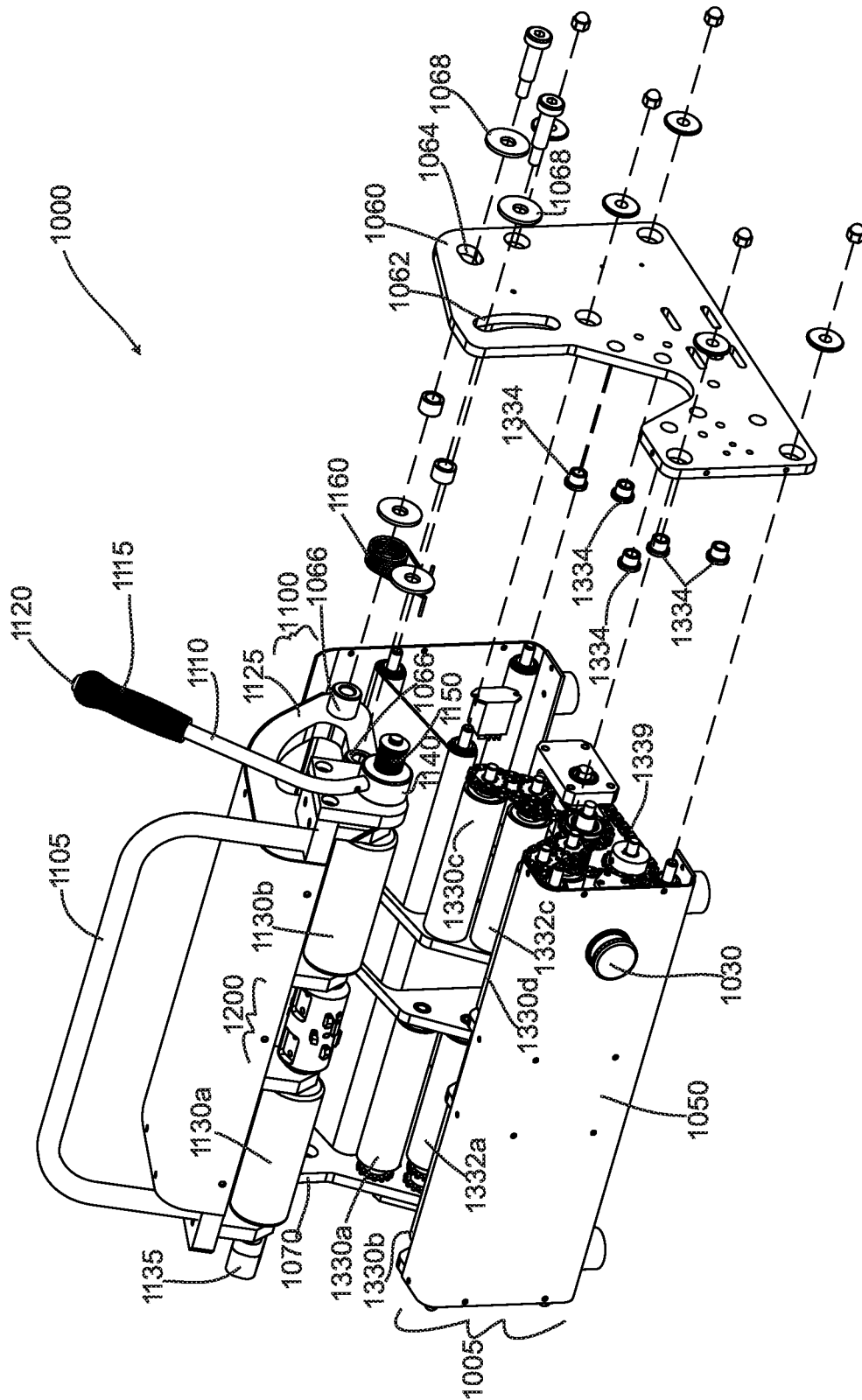


Fig. 2

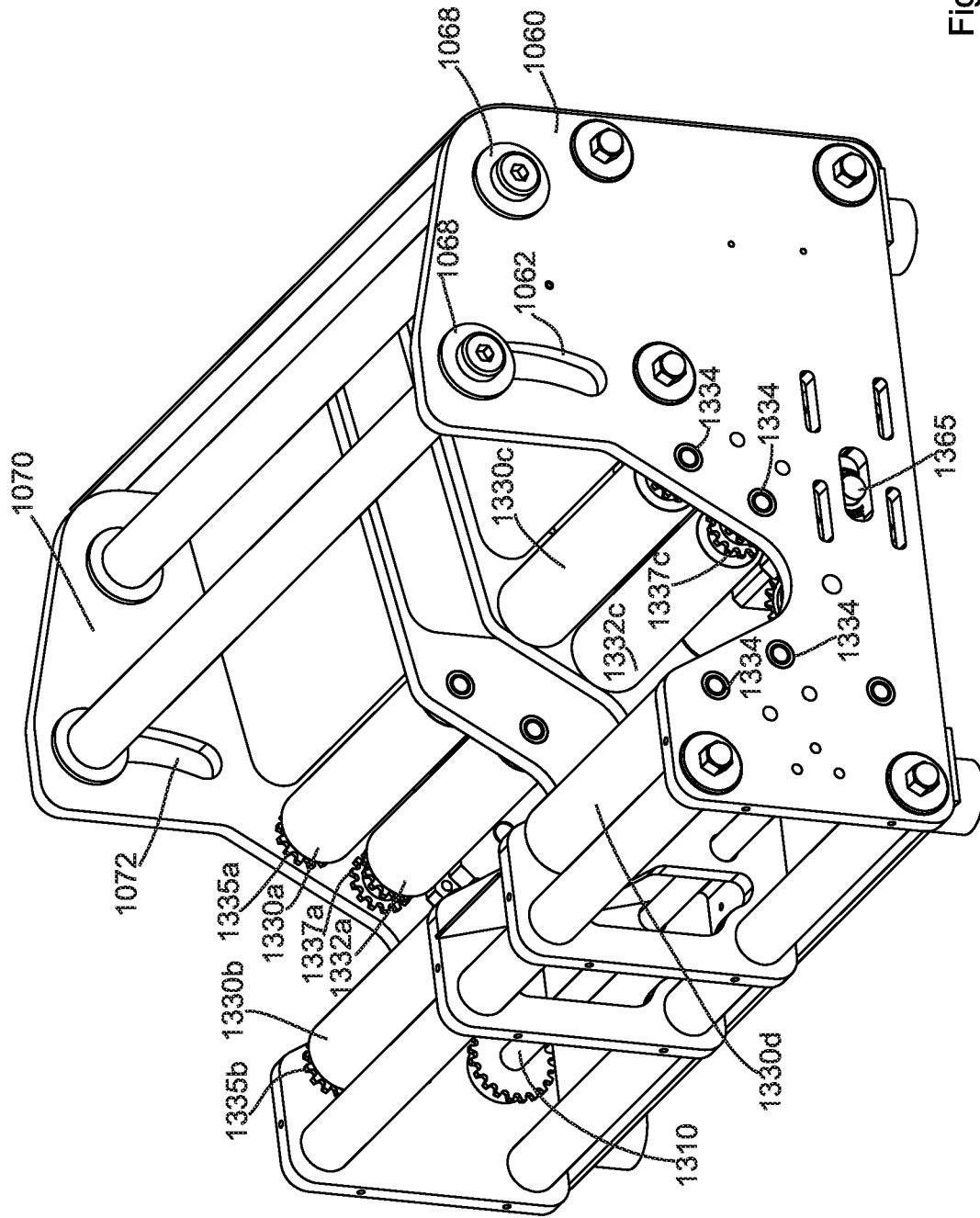


Fig. 3

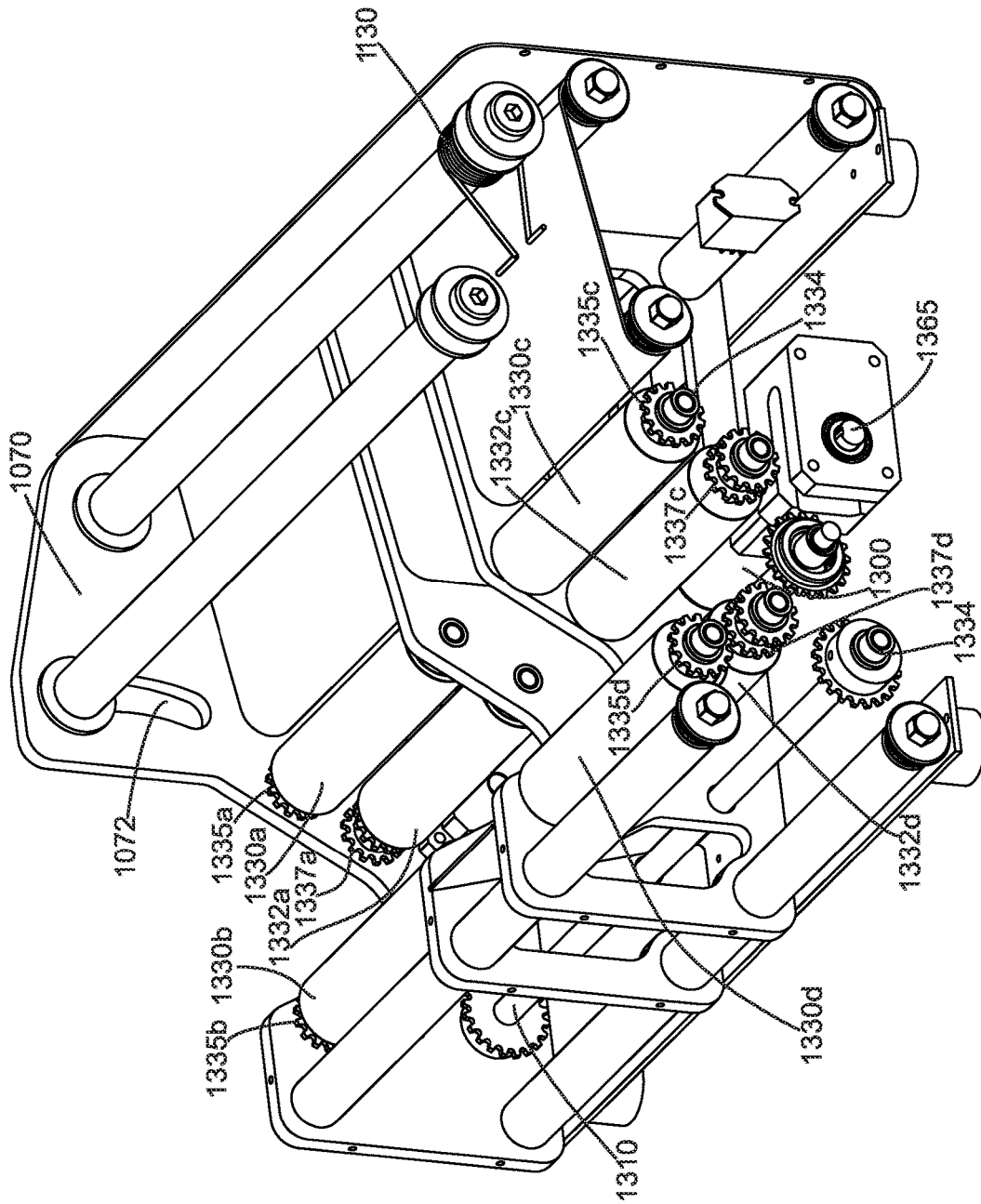


Fig. 4

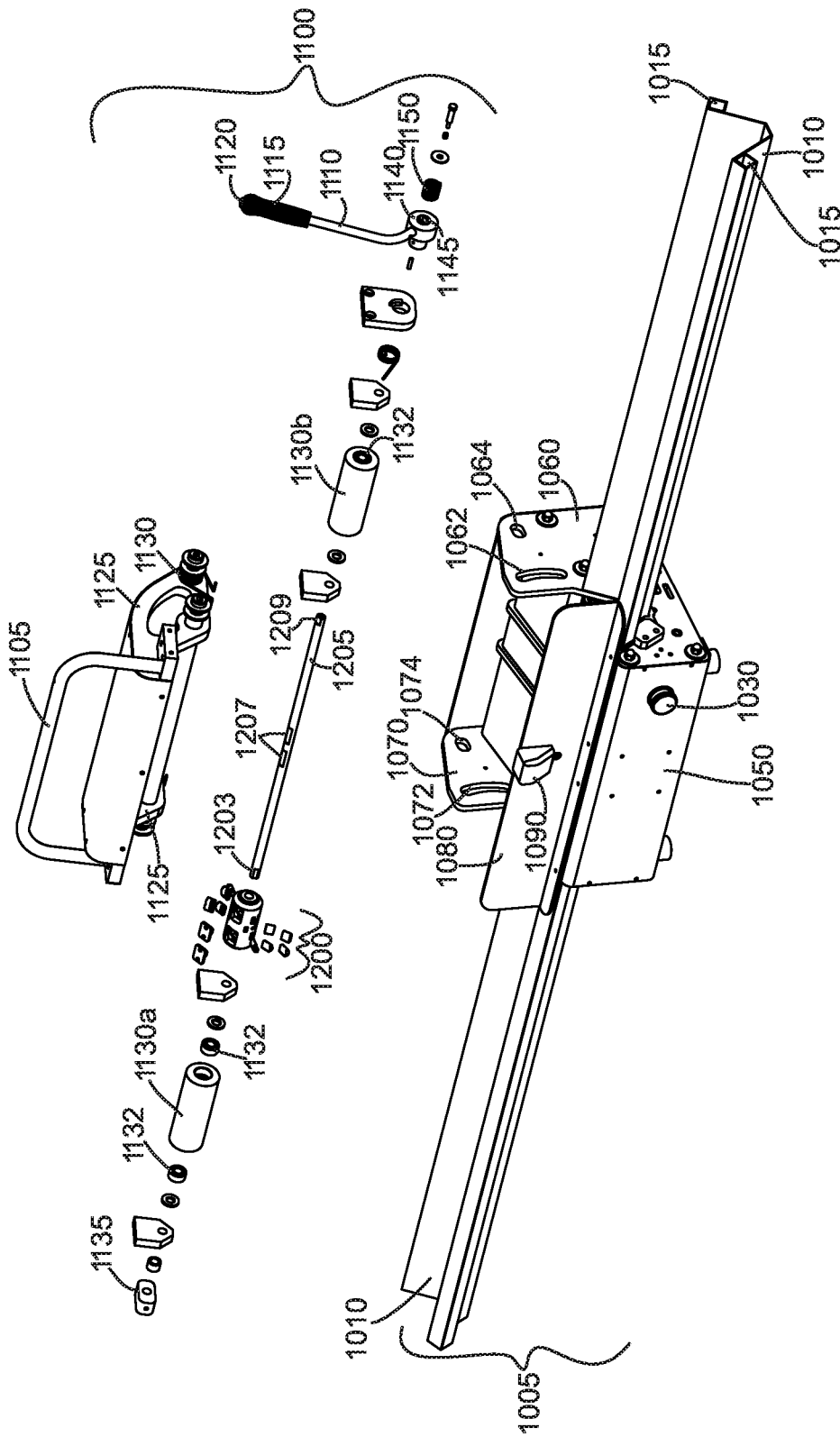


Fig. 5

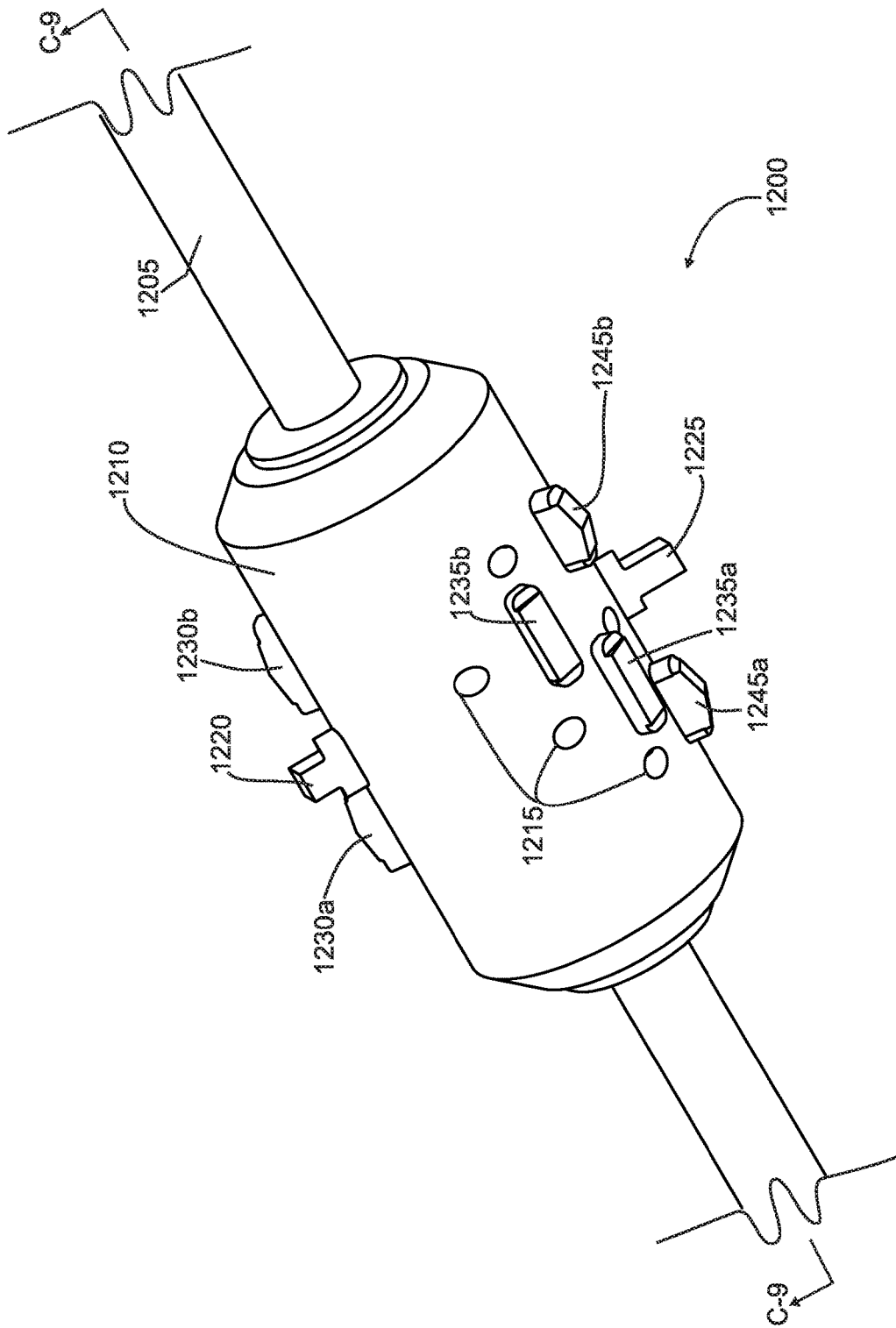


Fig. 6



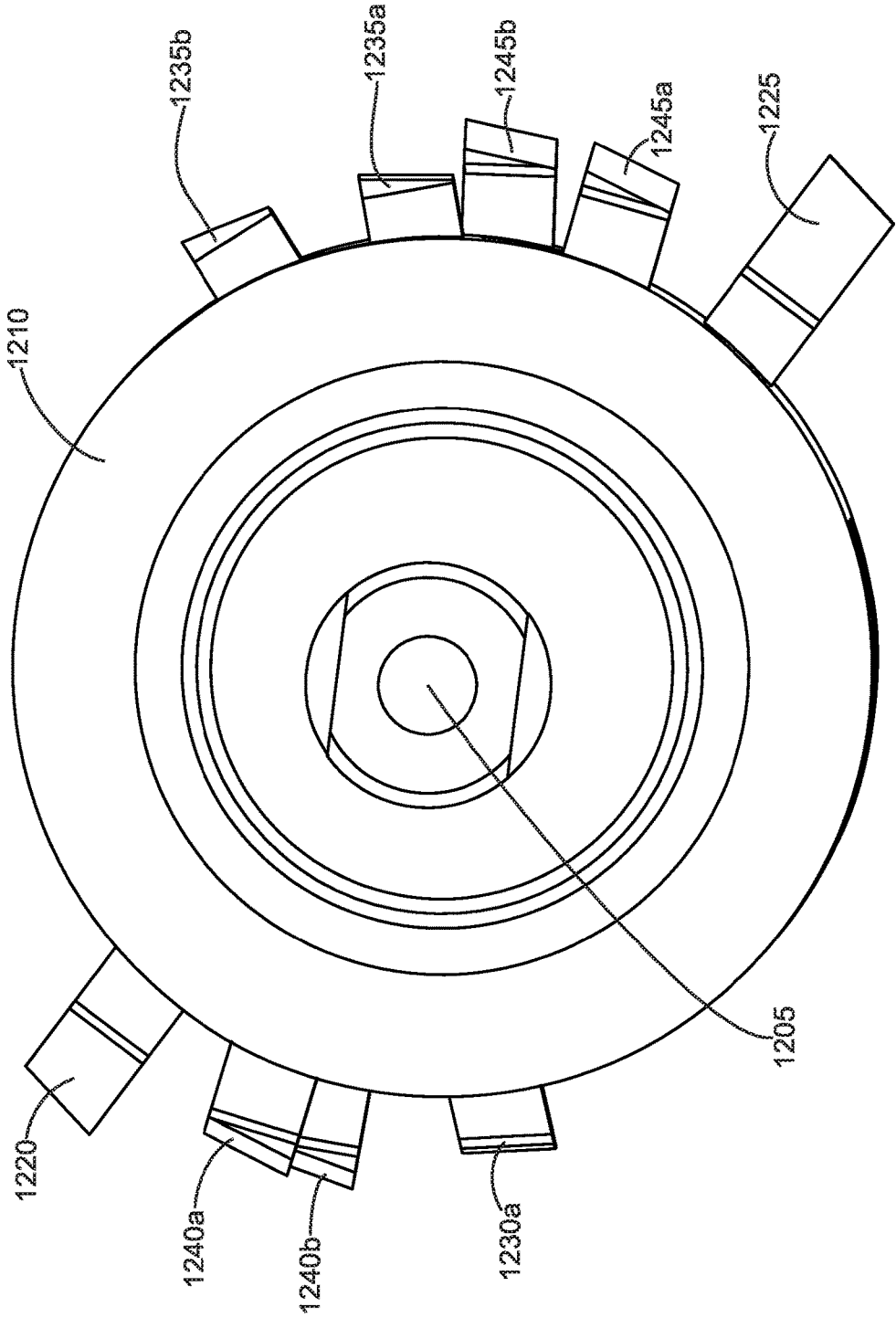


Fig. 7

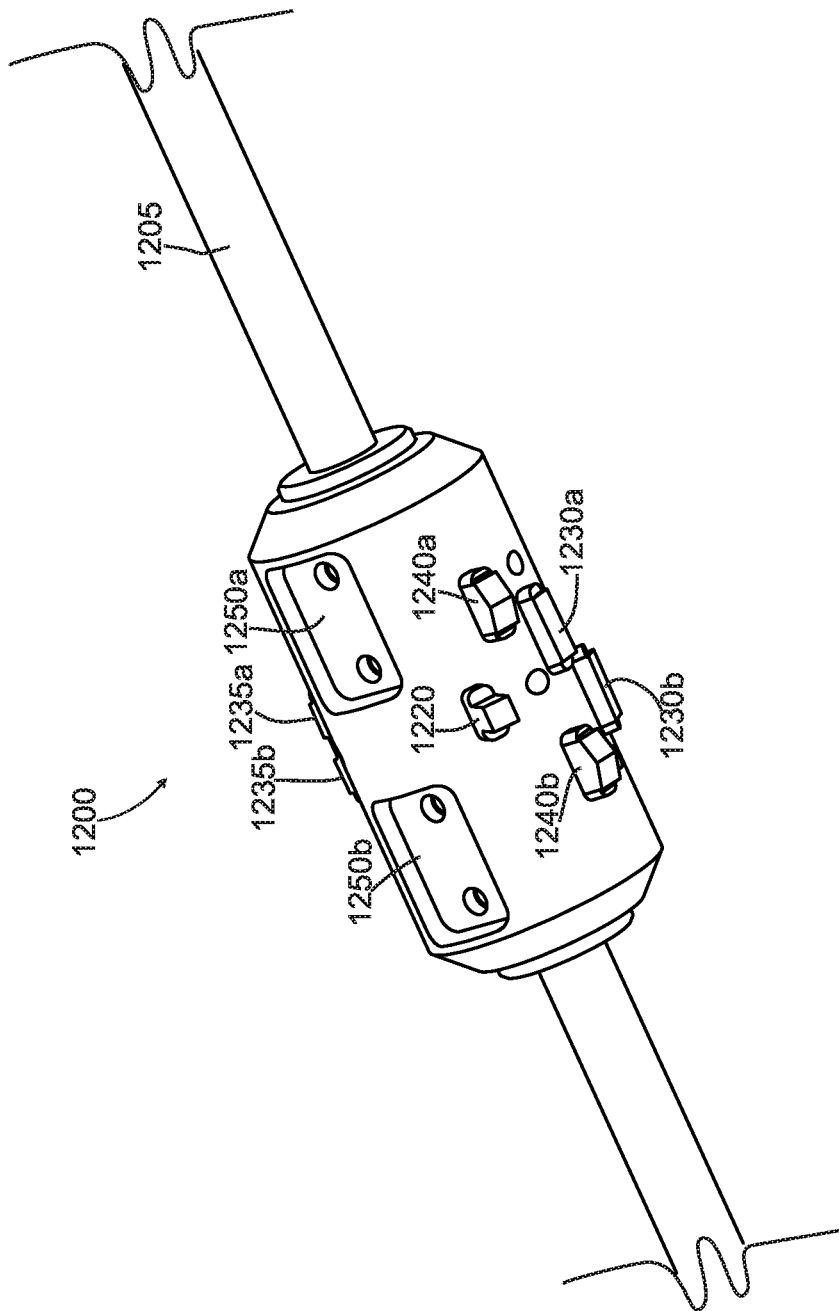


Fig. 8

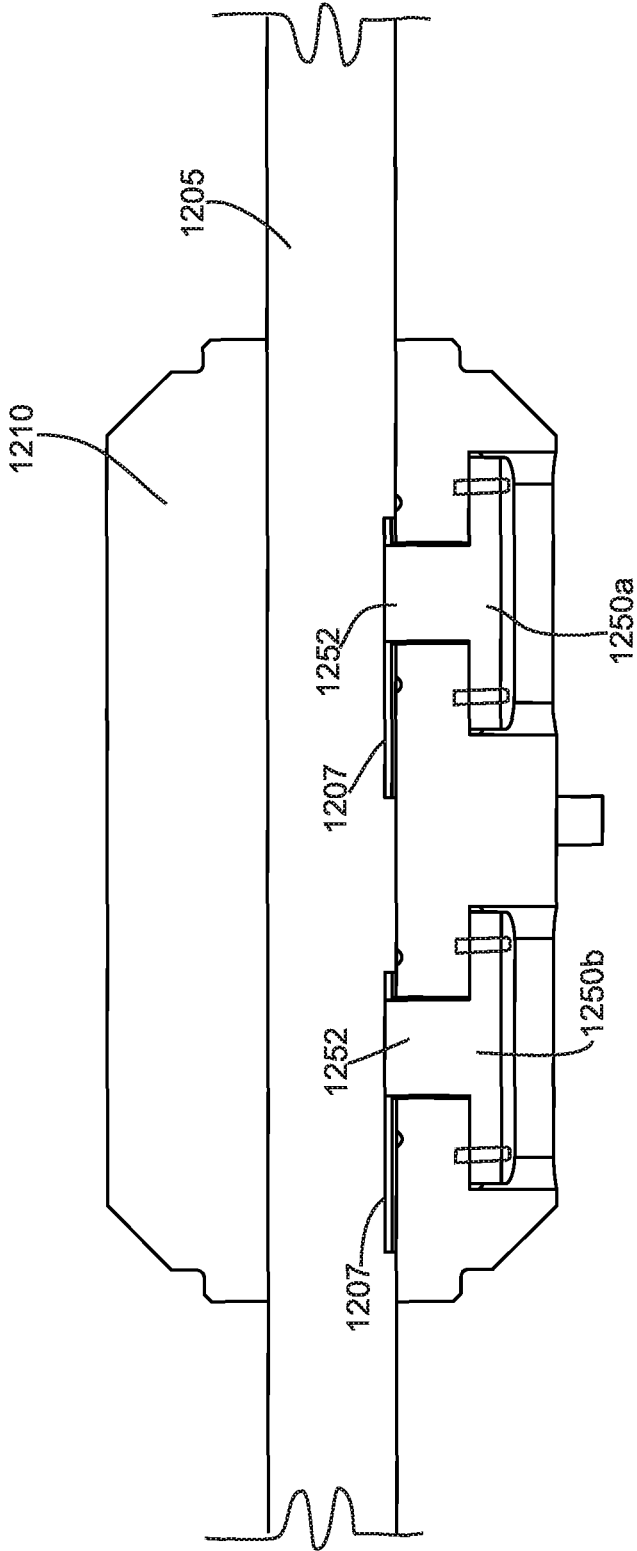


Fig. 9

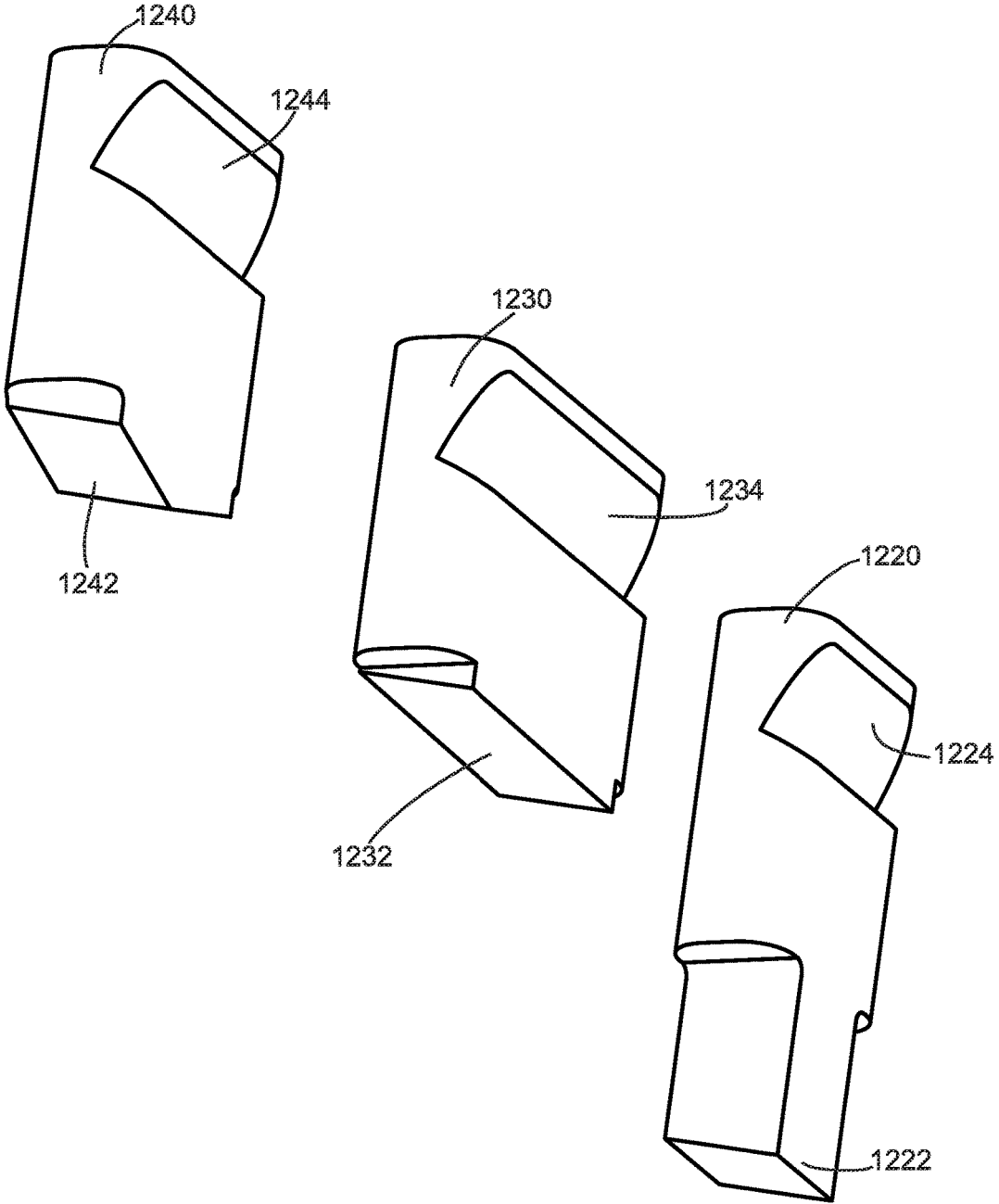


Fig. 10

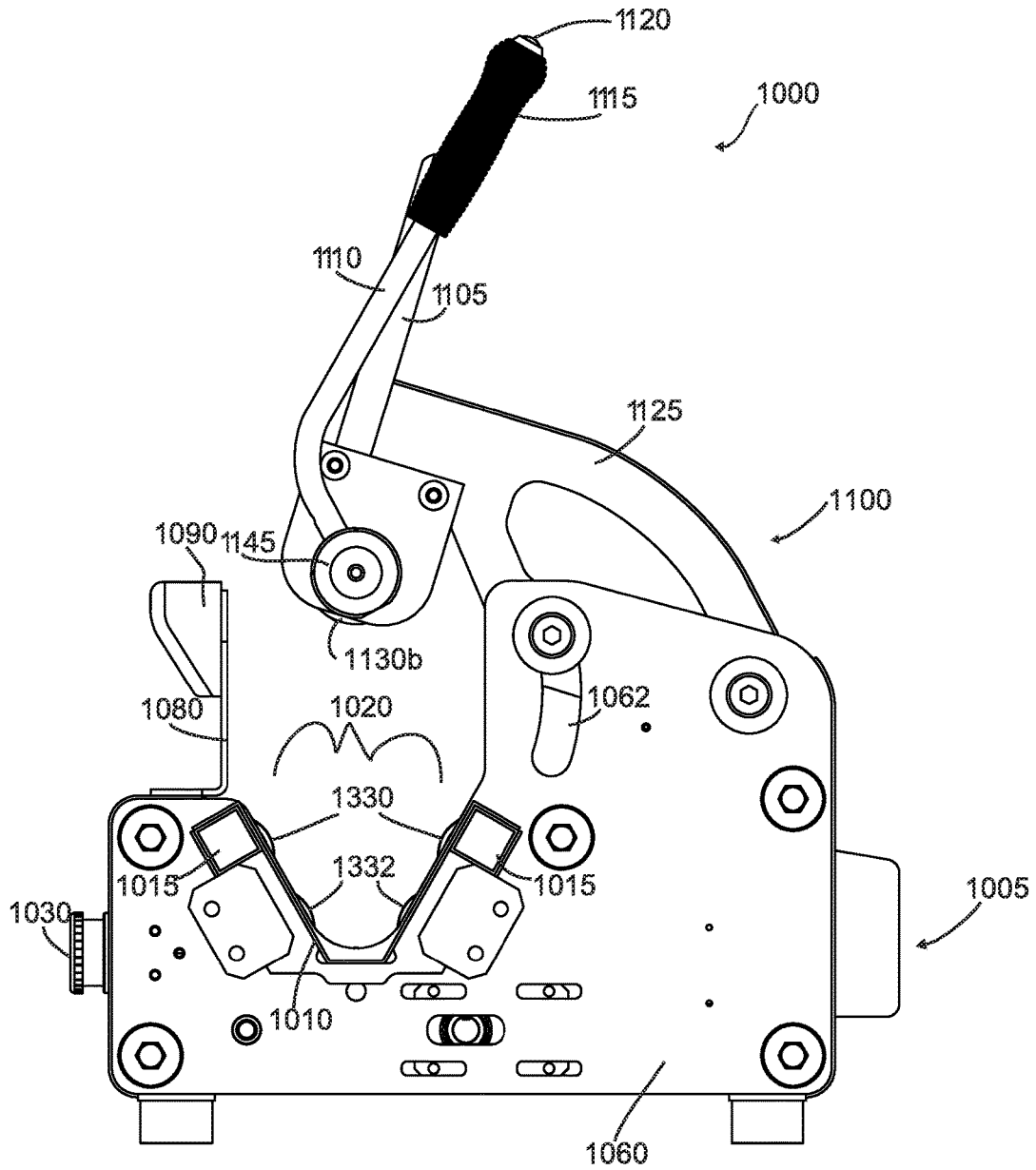


Fig. 11

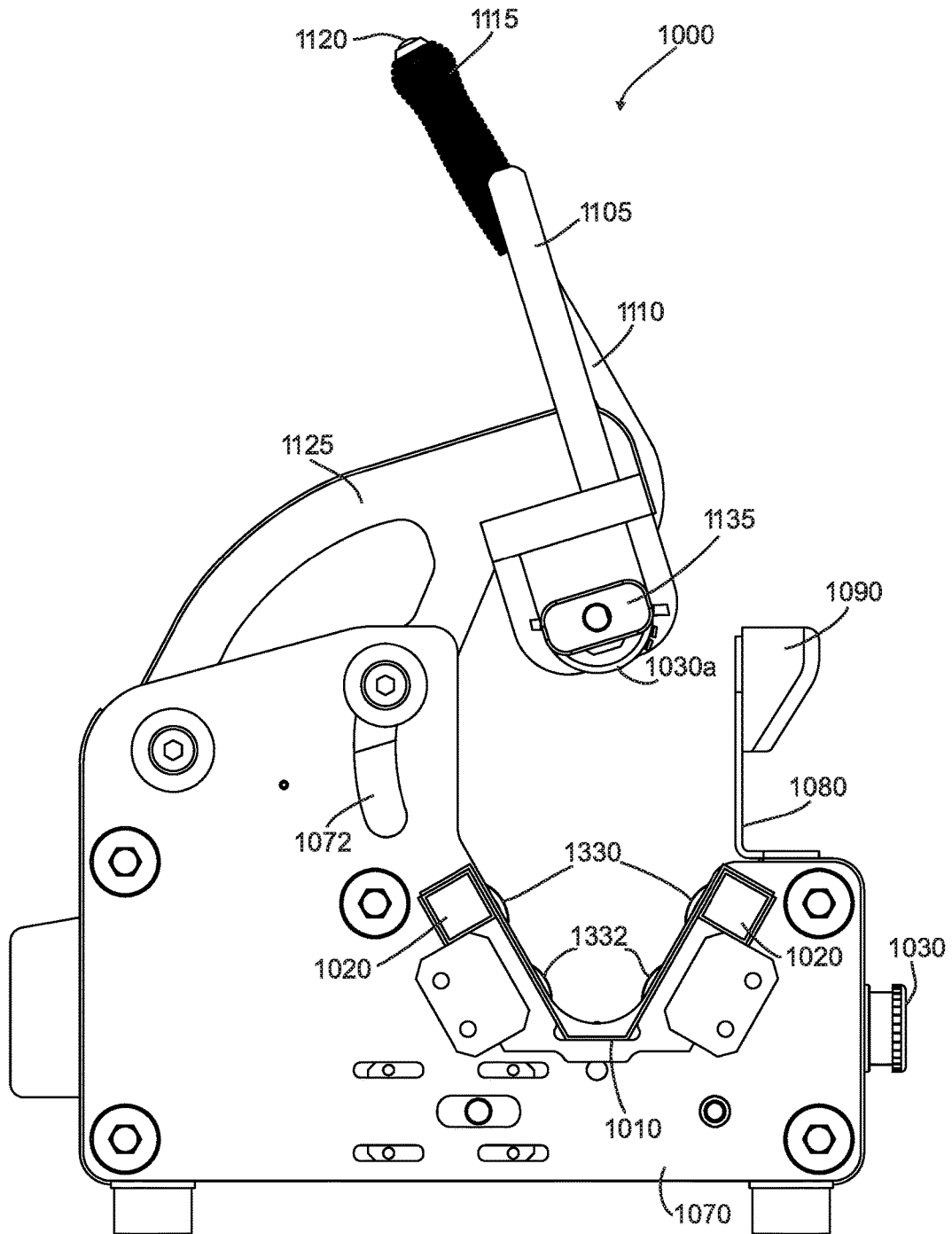


Fig. 12

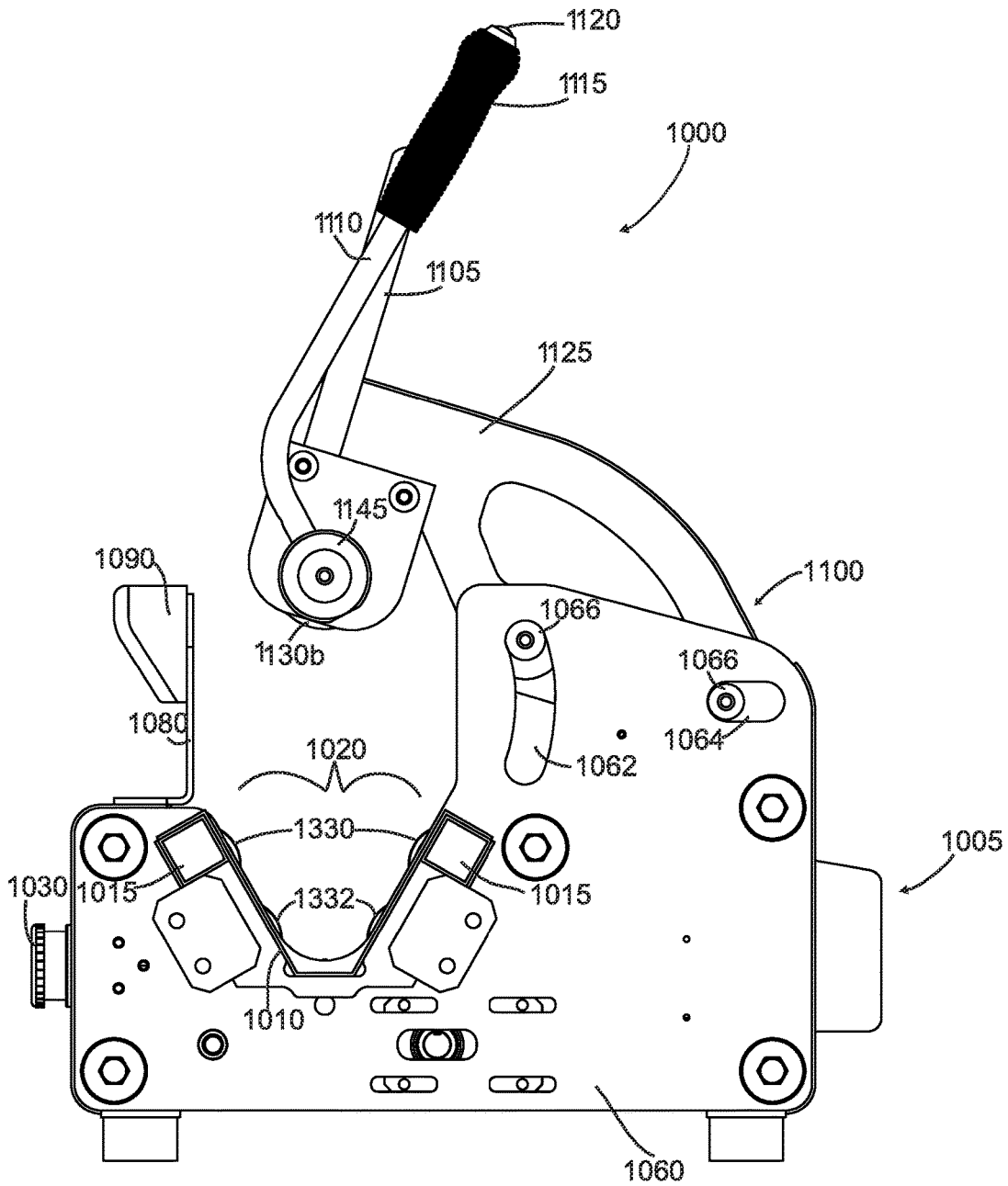


Fig. 13

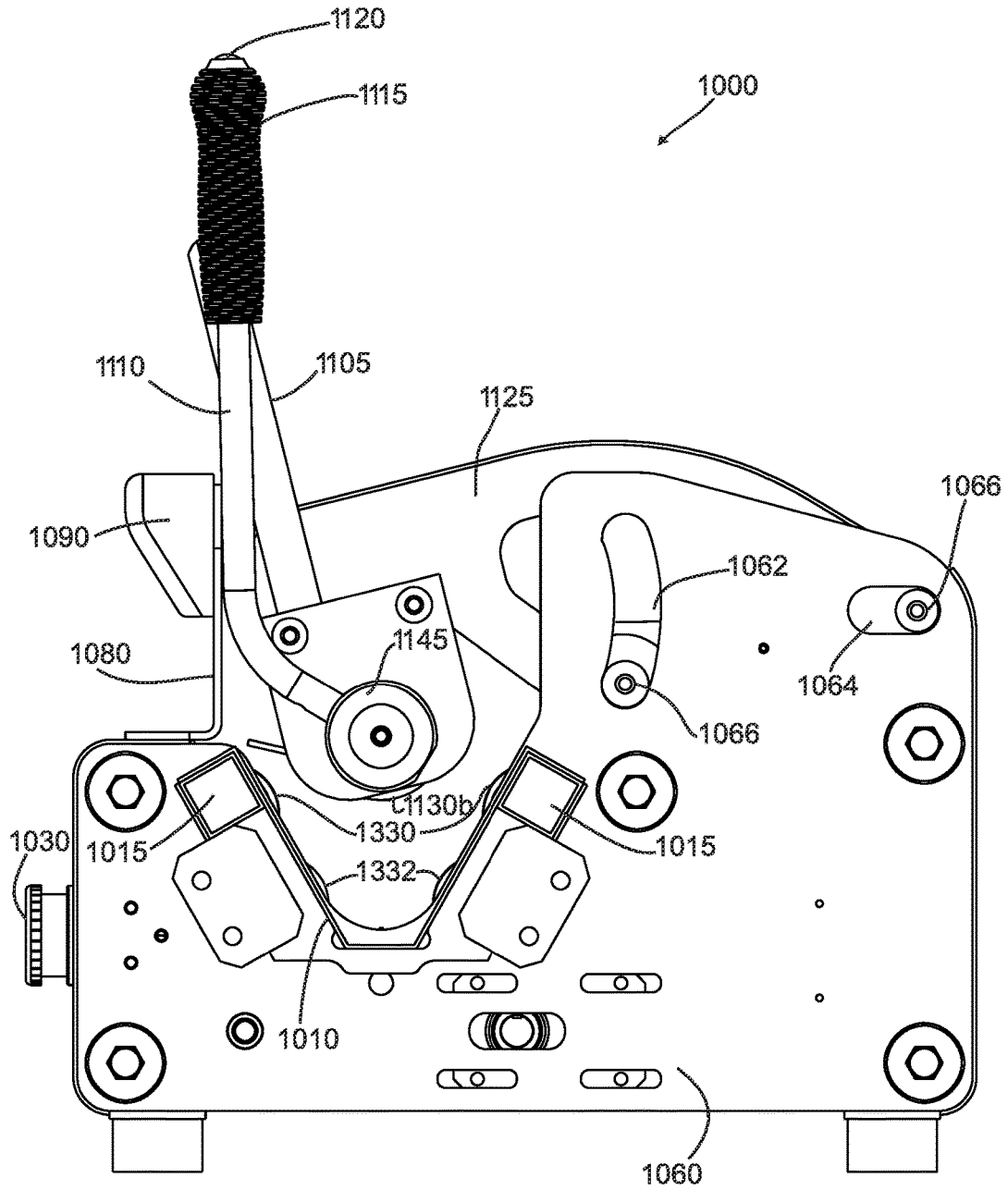


Fig. 14



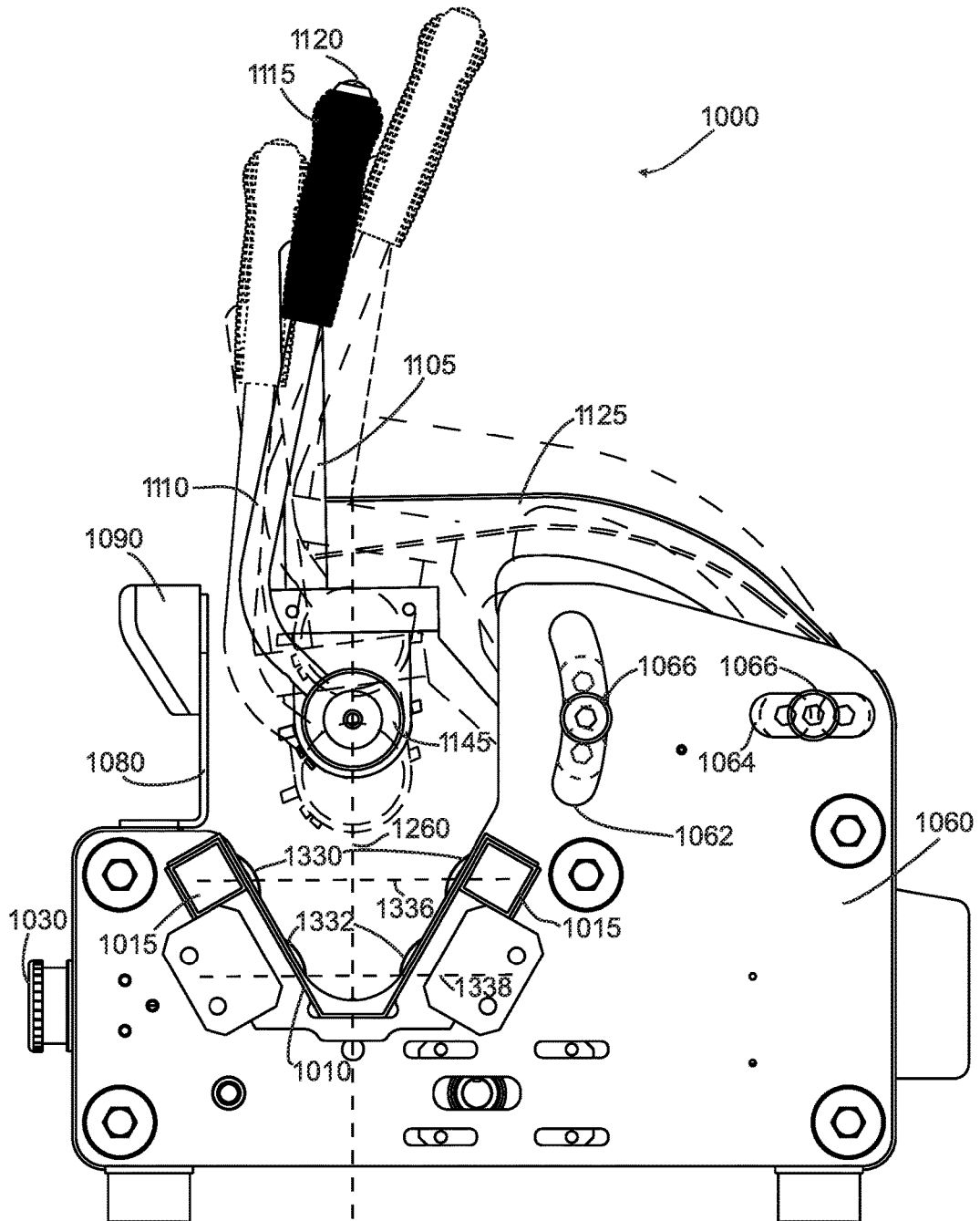


Fig. 15

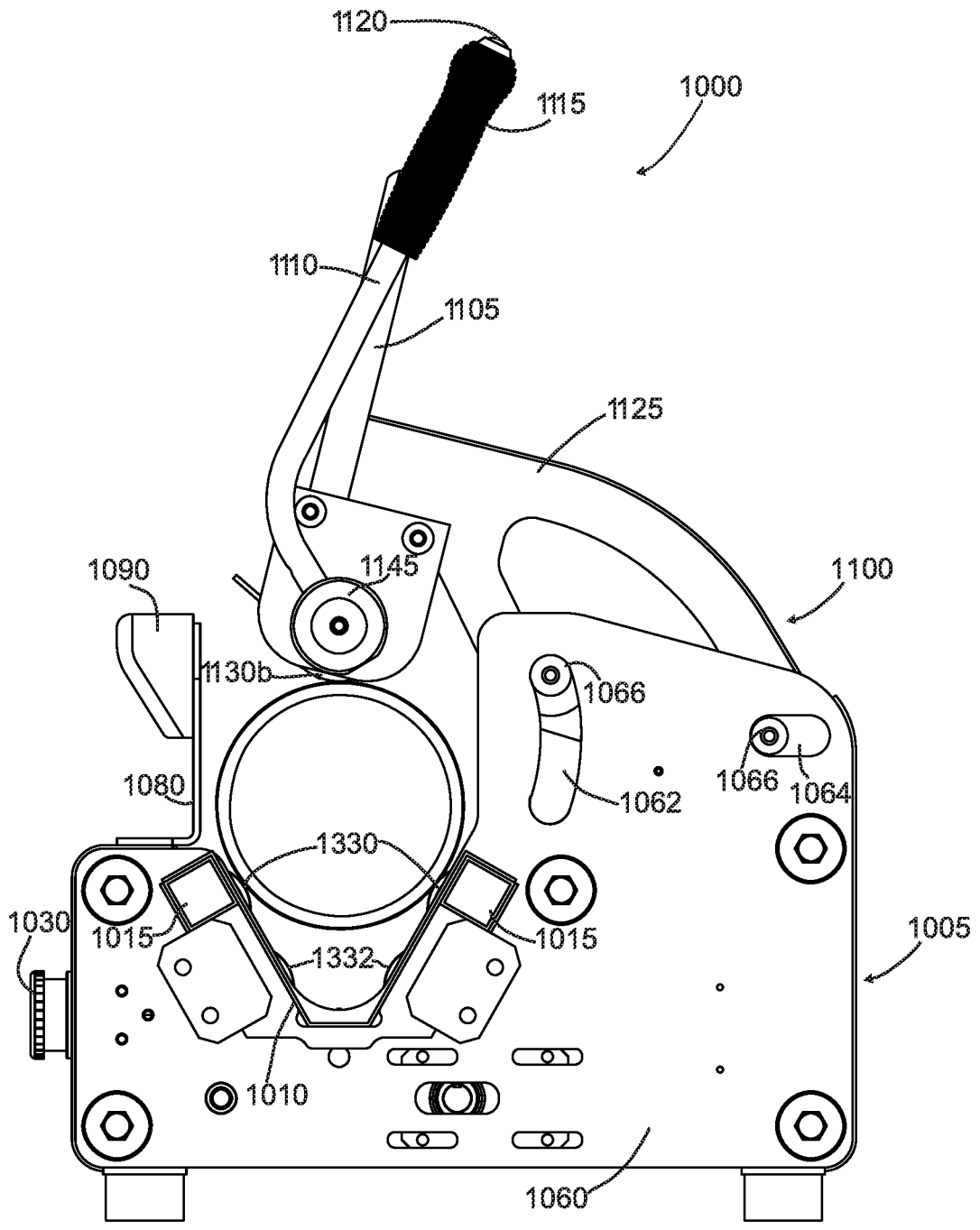


Fig. 16

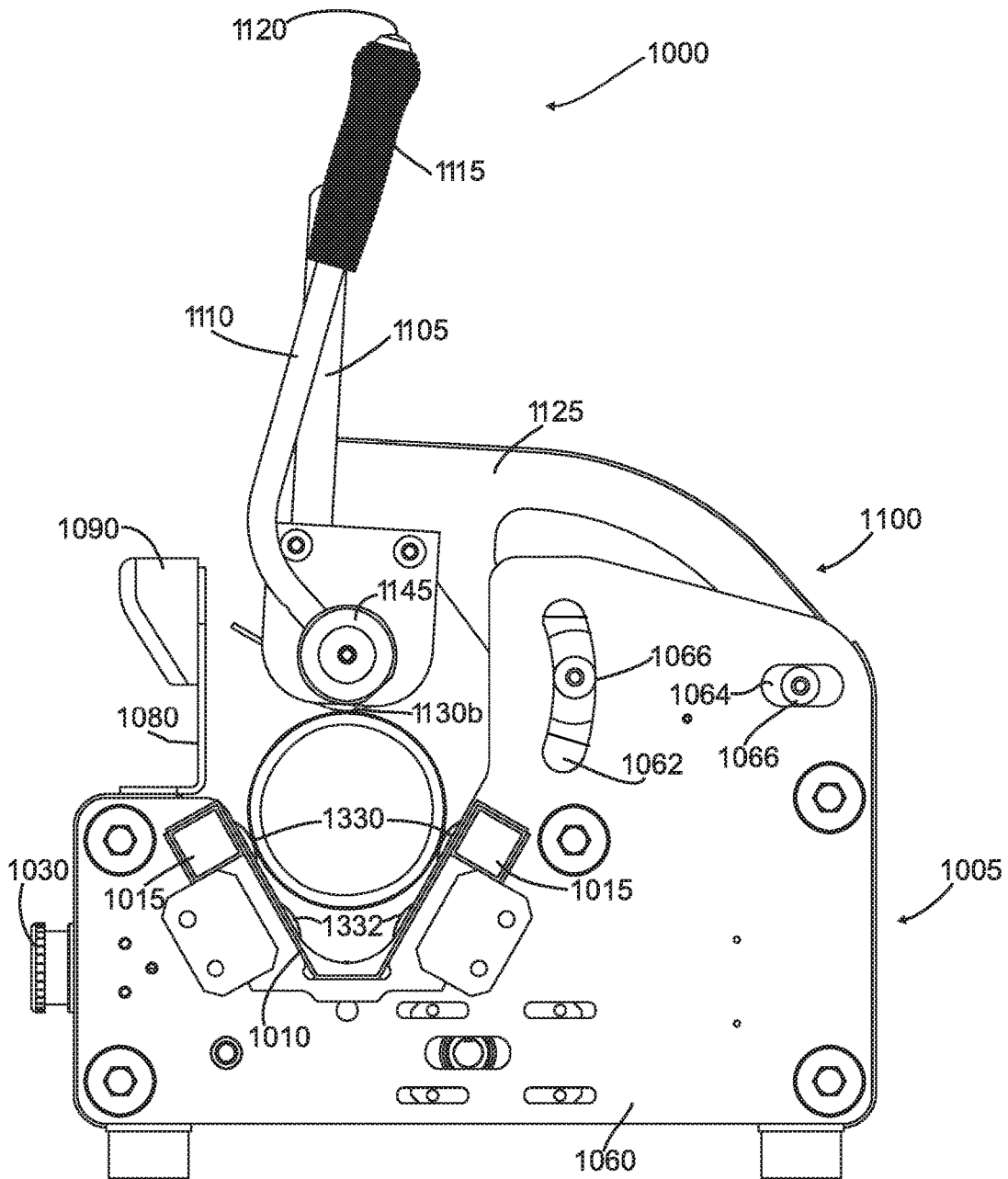


Fig. 17

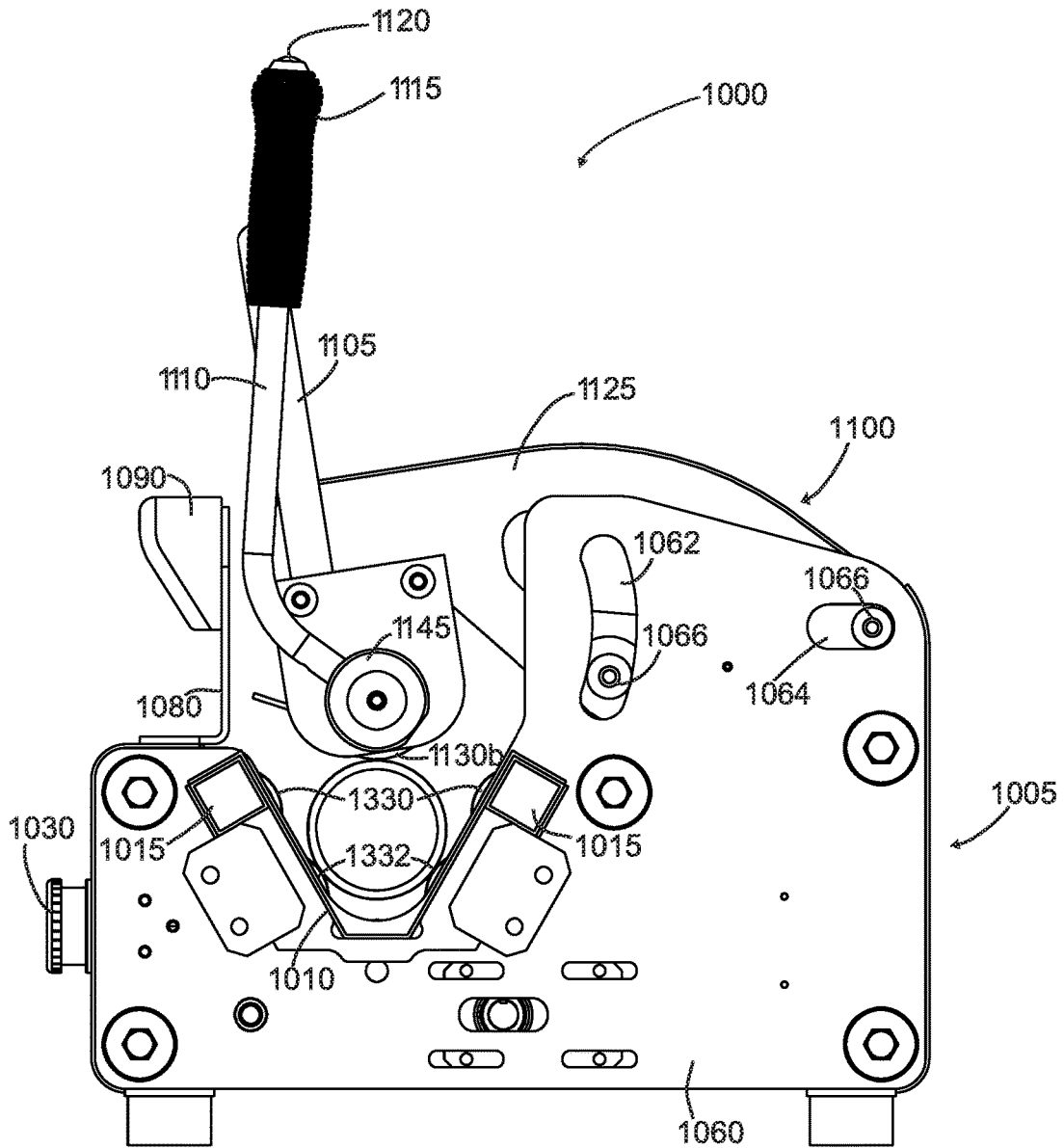


Fig. 18

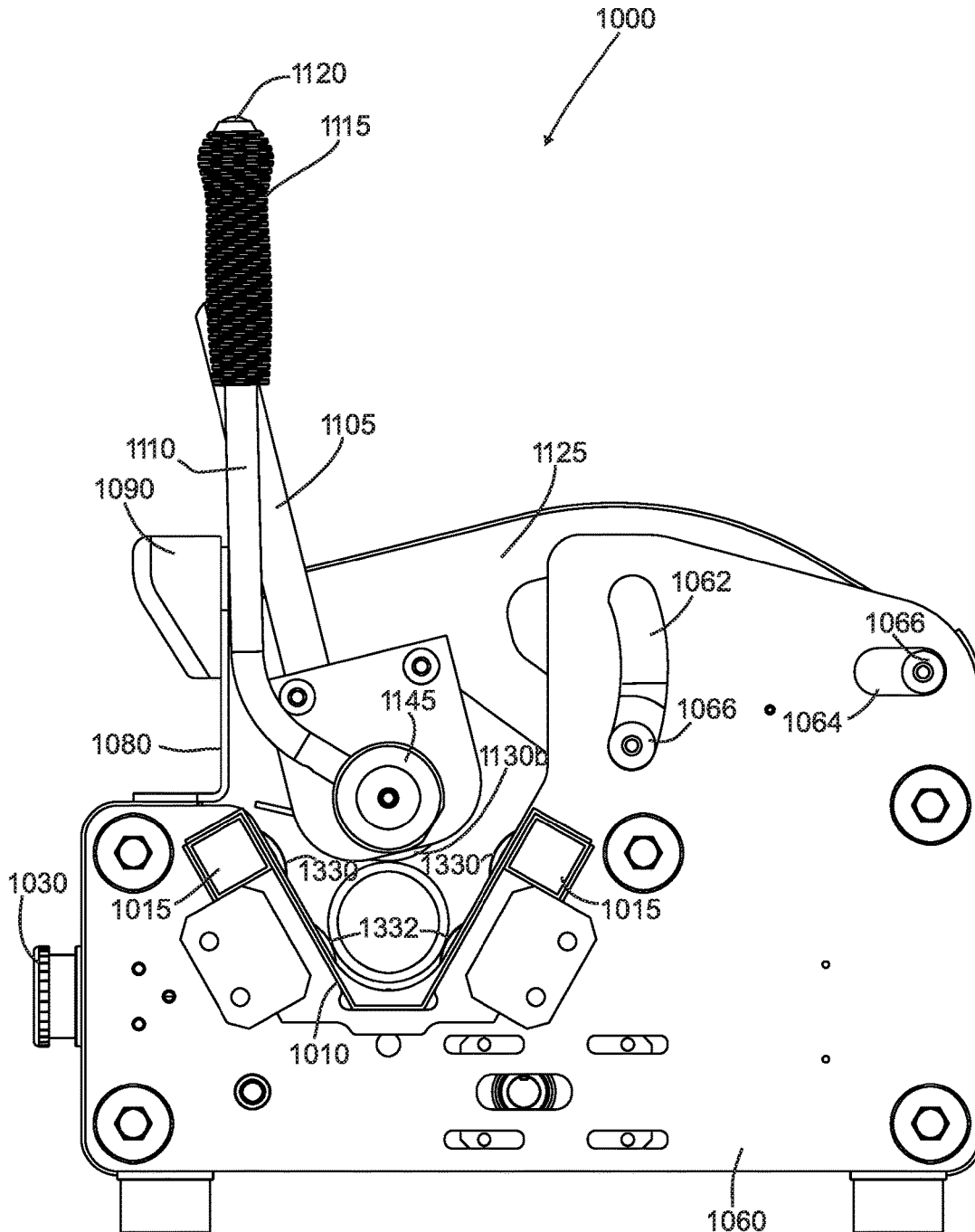


Fig. 19

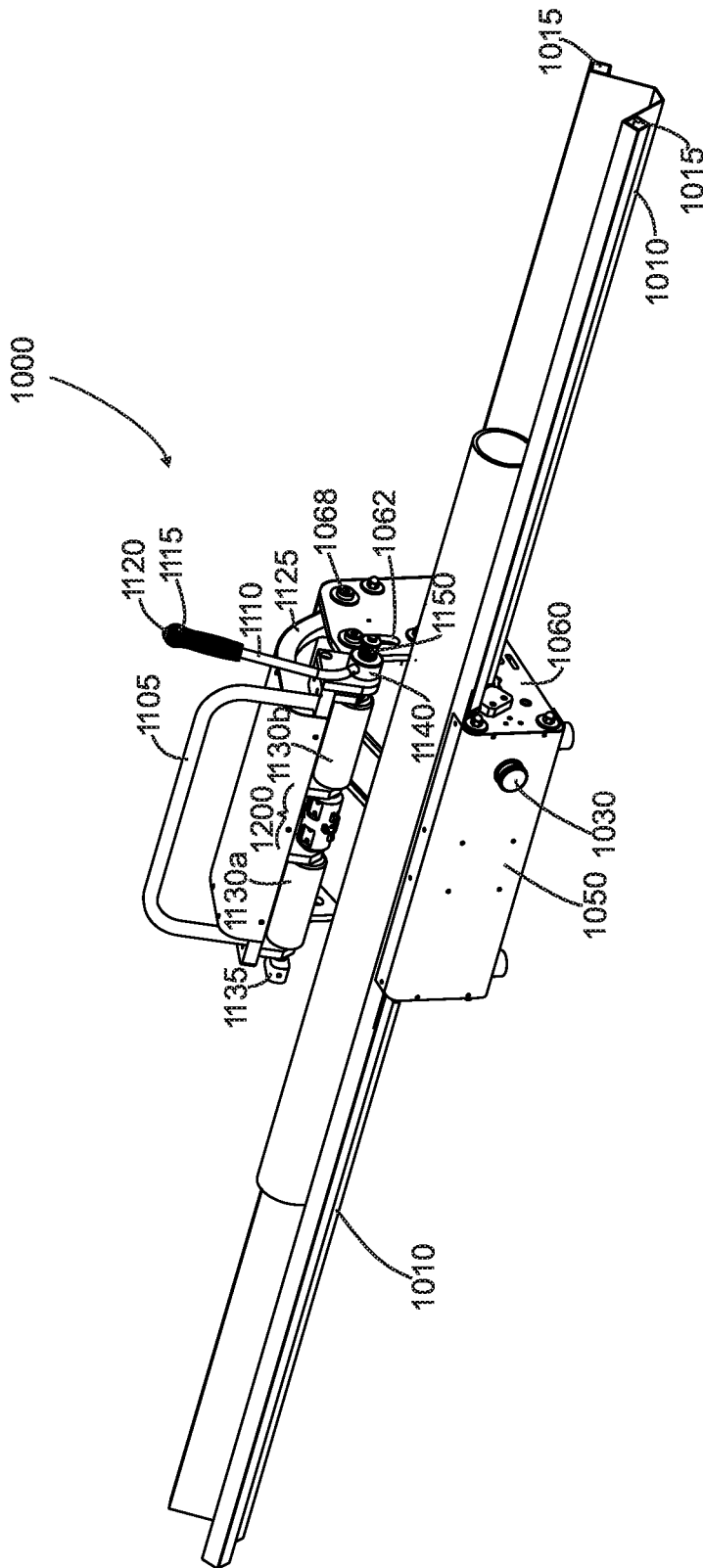


Fig. 20

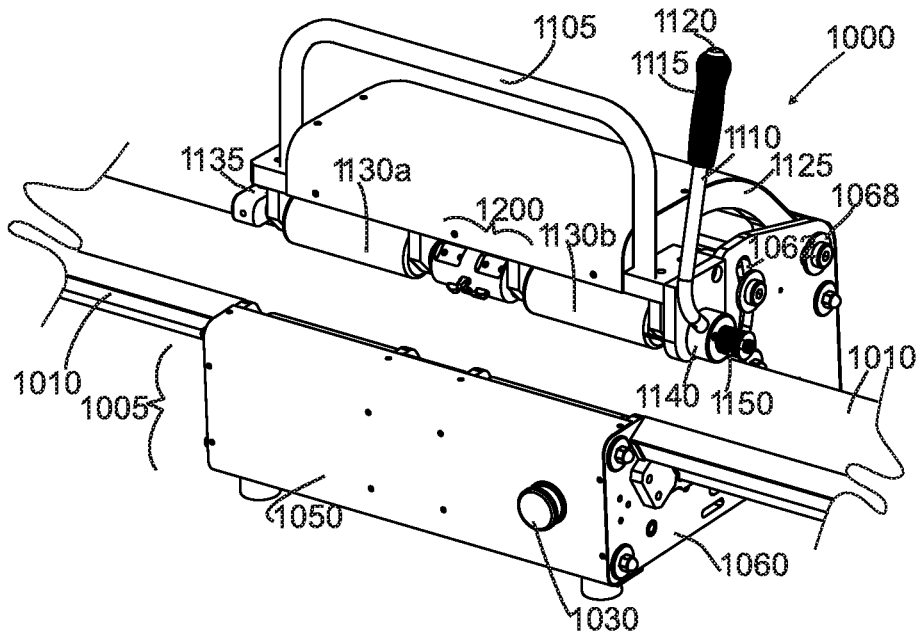


Fig. 21a

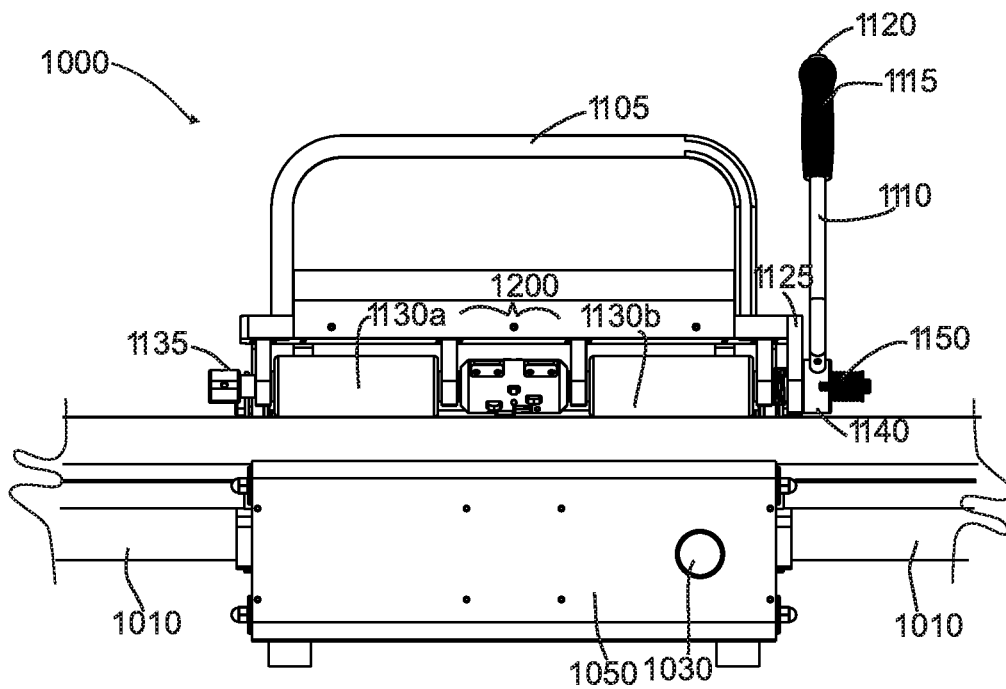


Fig. 21b

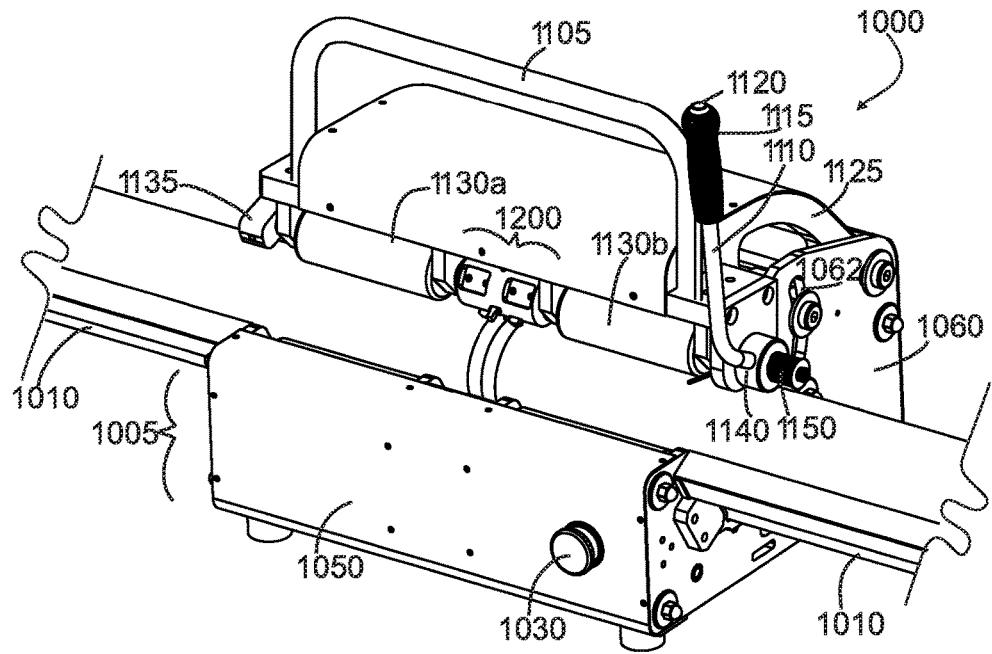


Fig. 22a

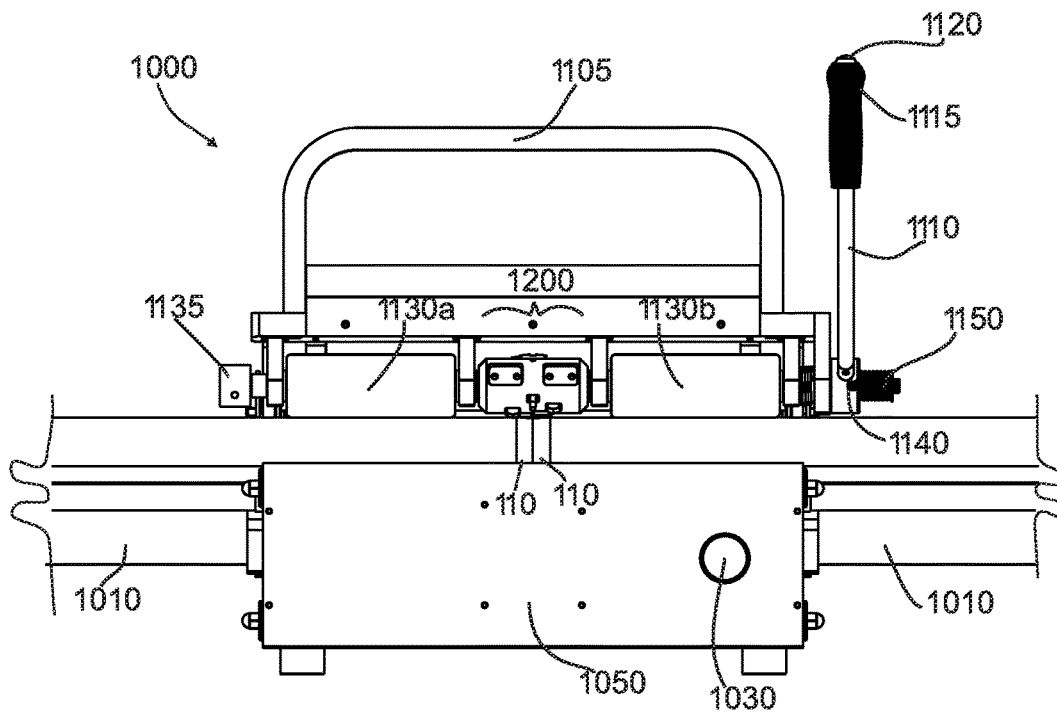


Fig. 22b



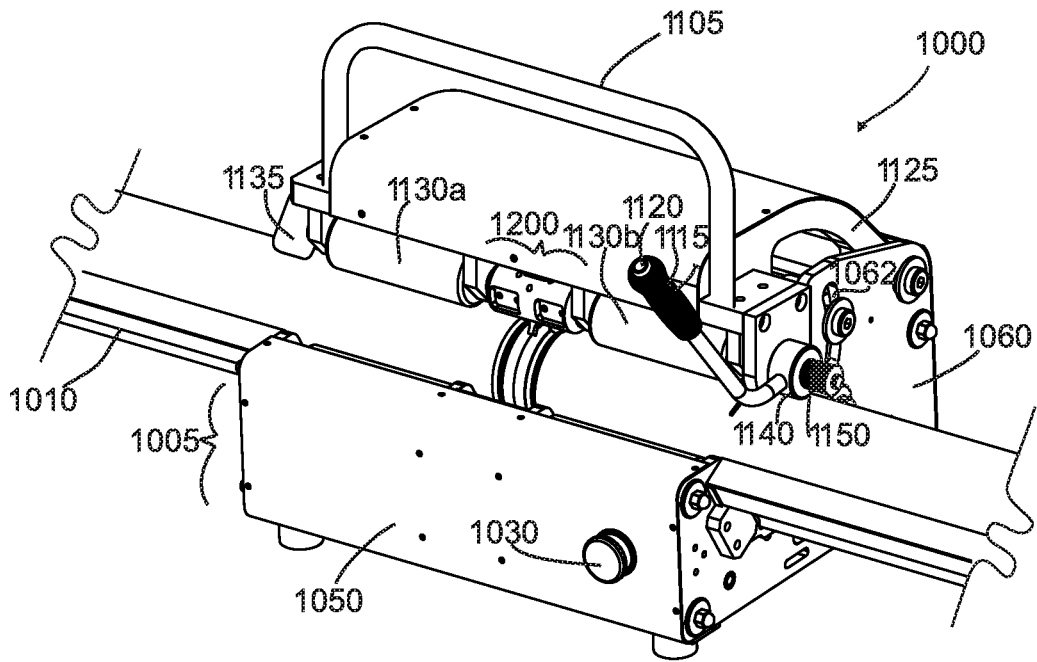


Fig. 23a

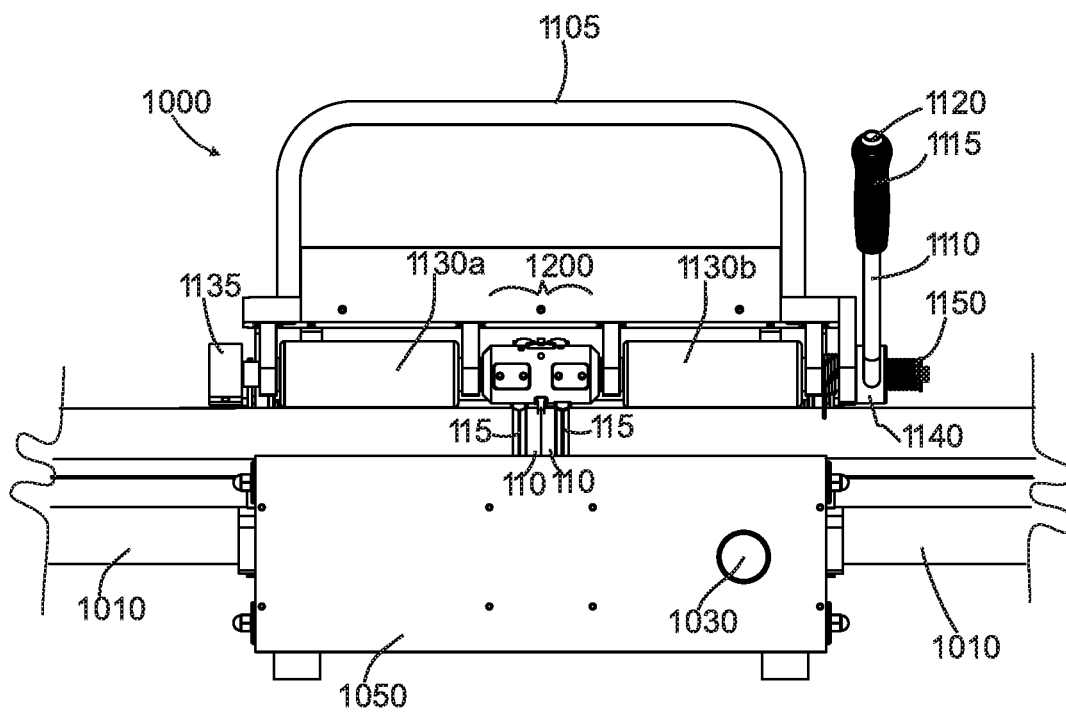


Fig. 23b

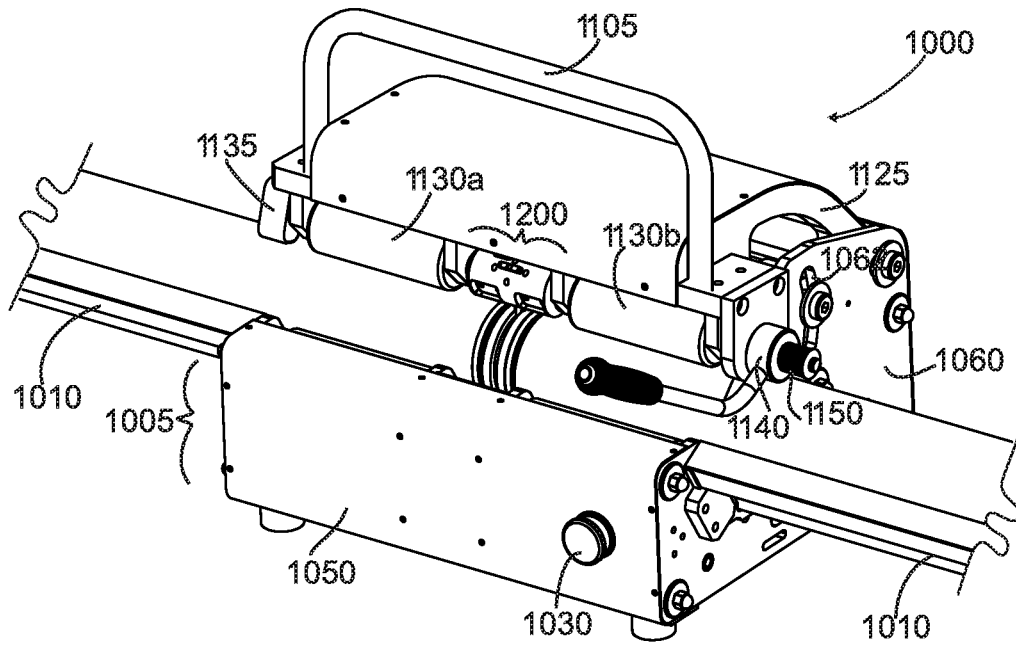


Fig. 24a

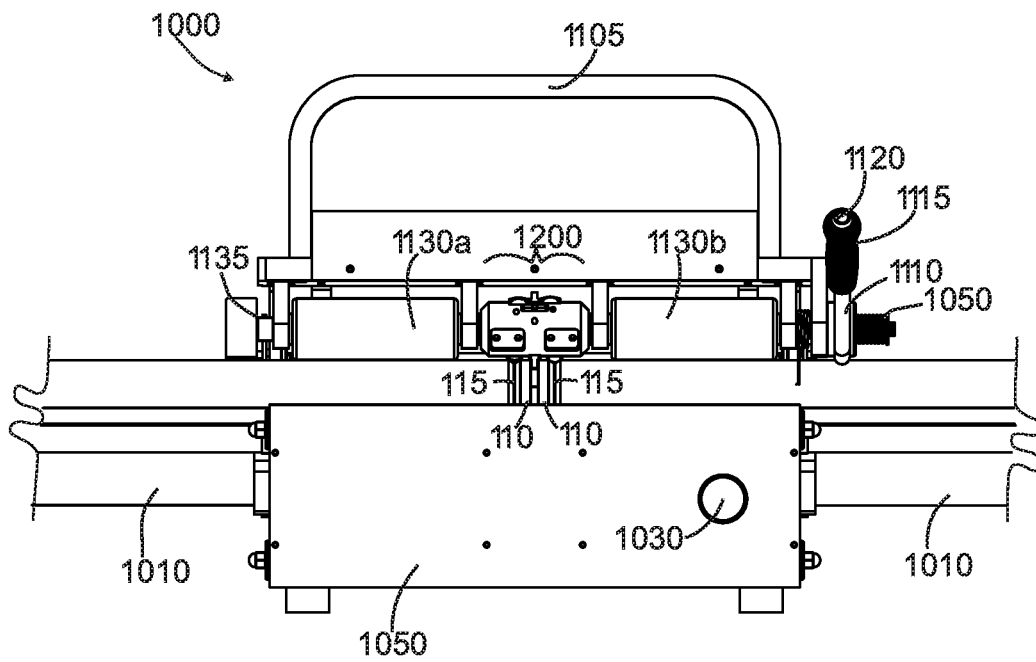


Fig. 24b

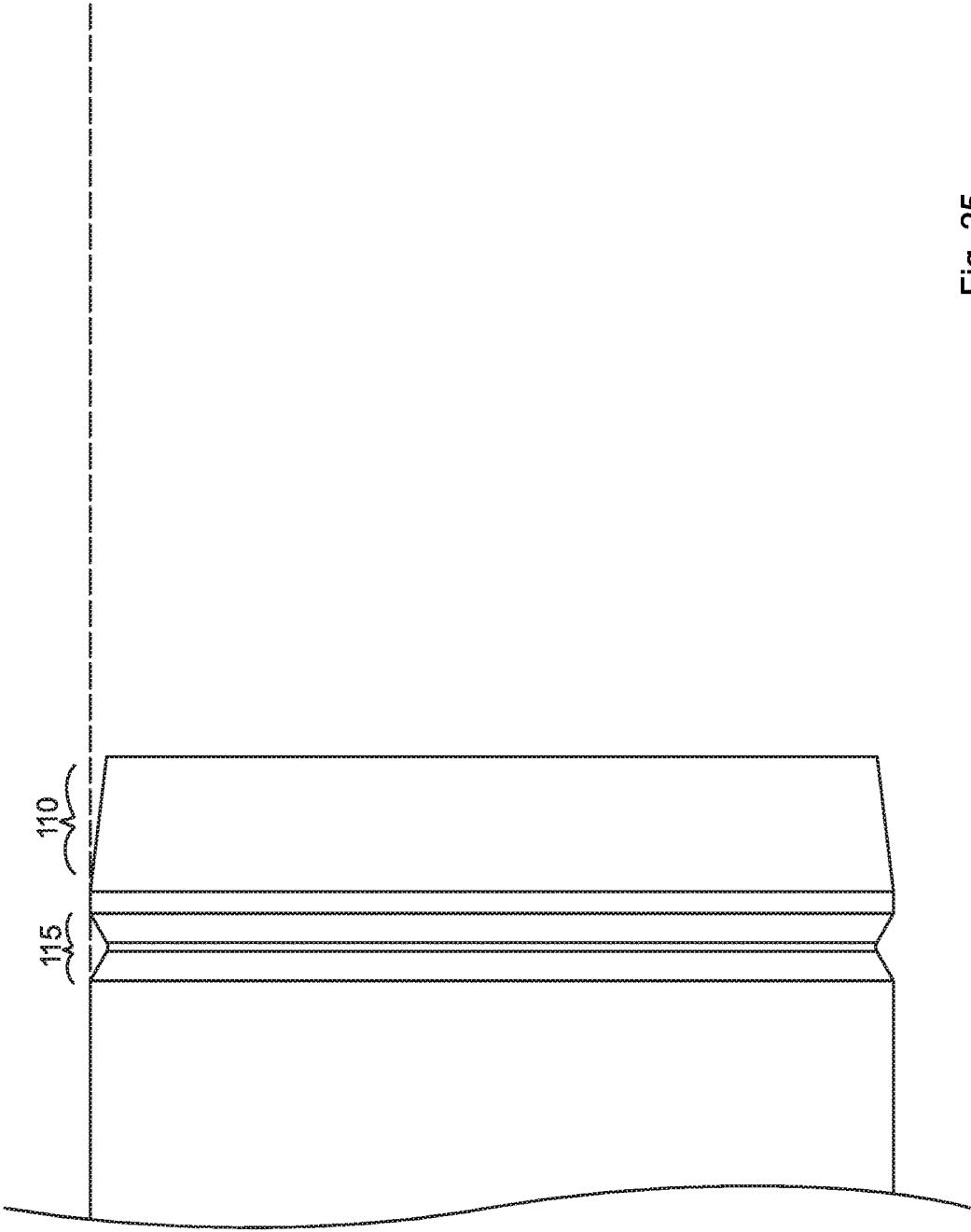


Fig. 25

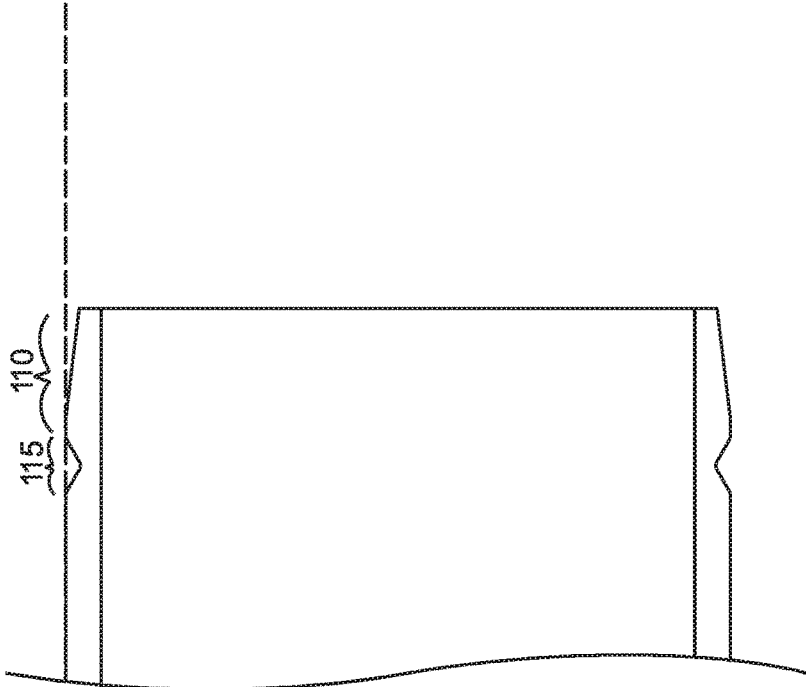


Fig. 26b

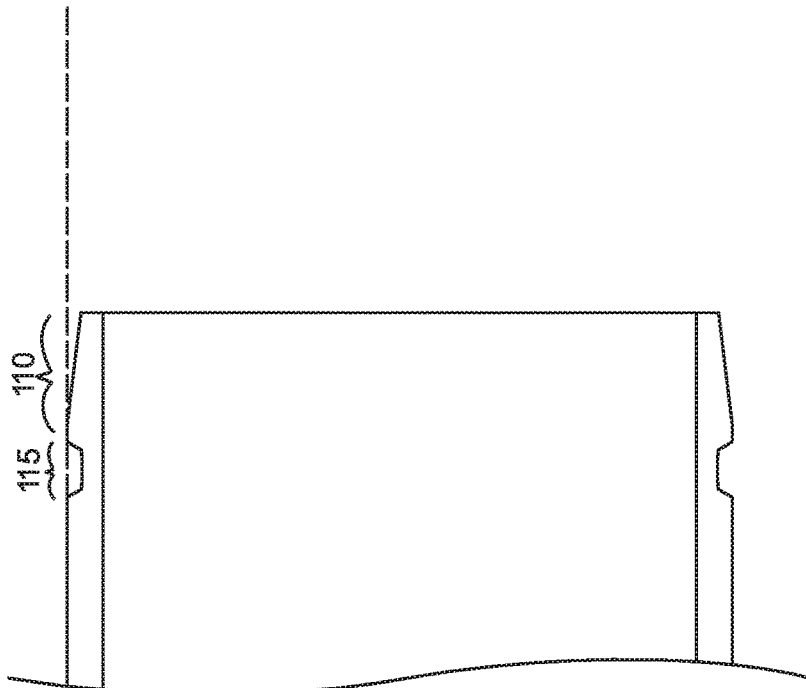


Fig. 26a

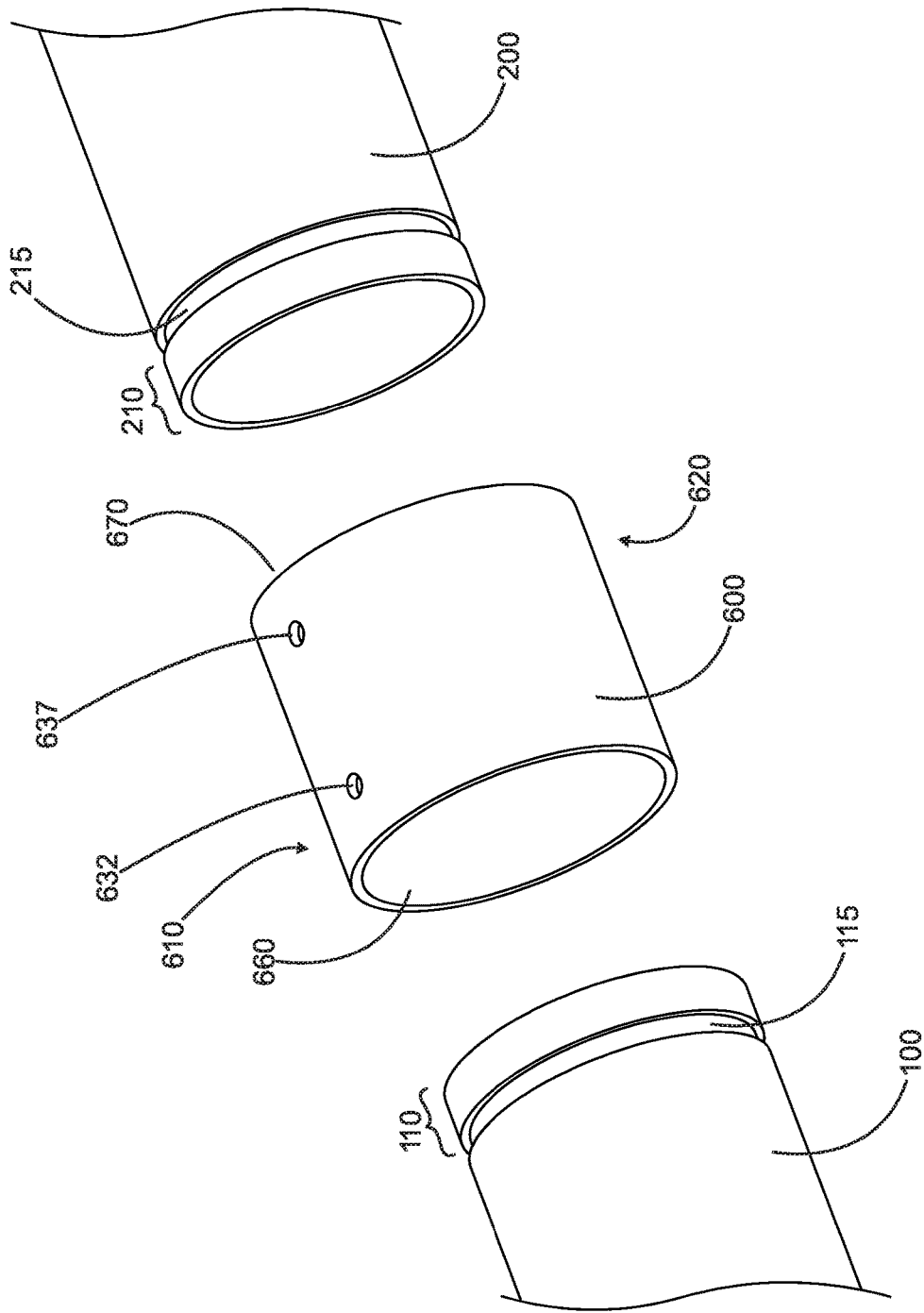


Fig. 27

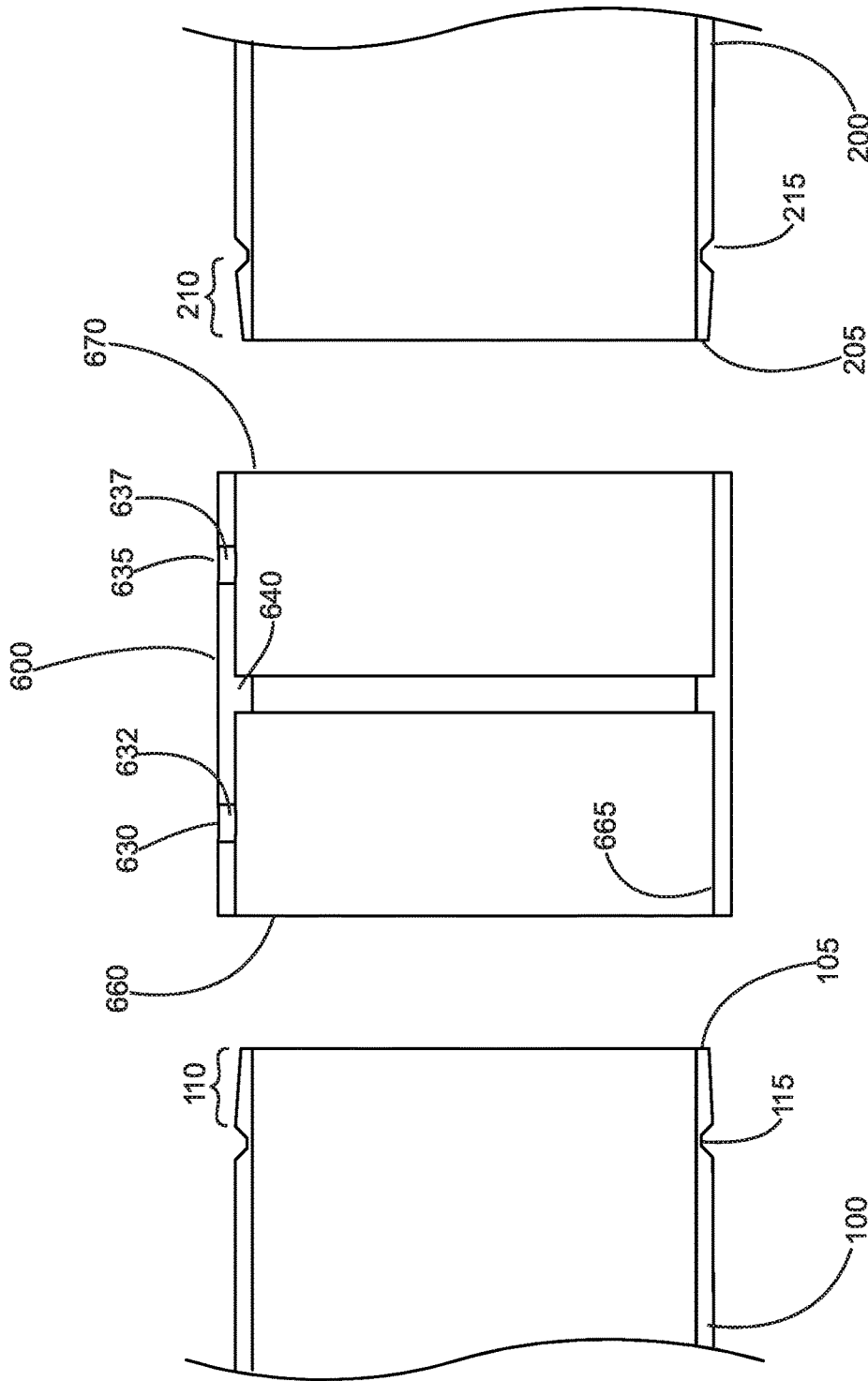


Fig. 28

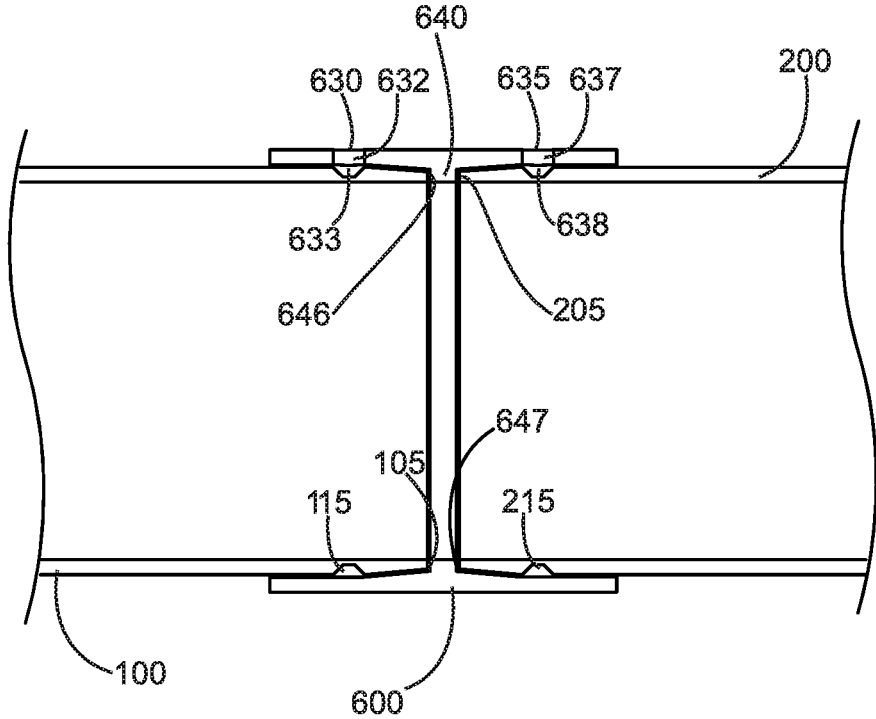


Fig. 29

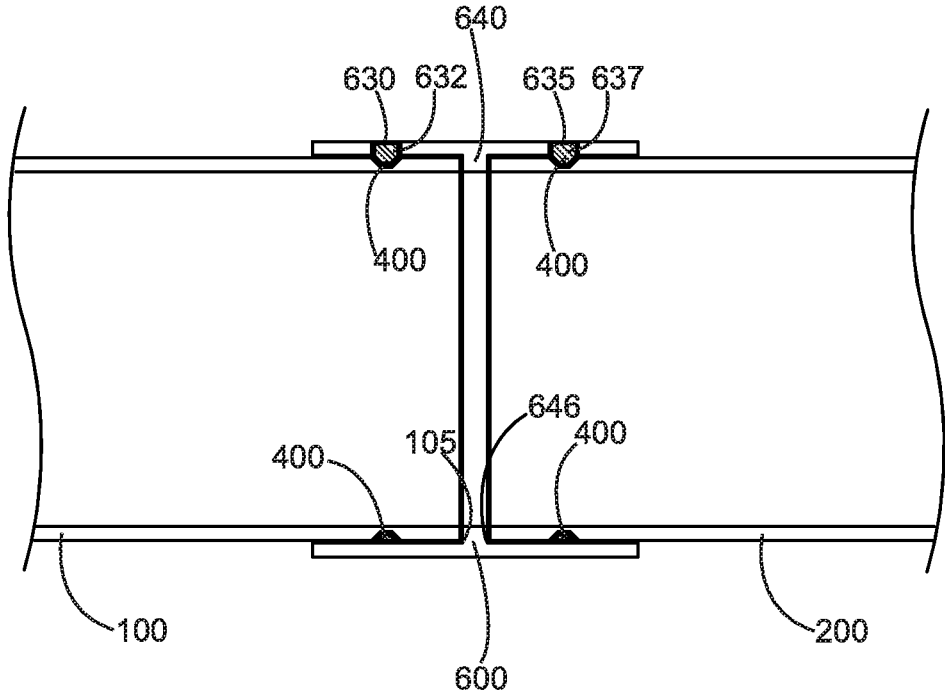


Fig. 30

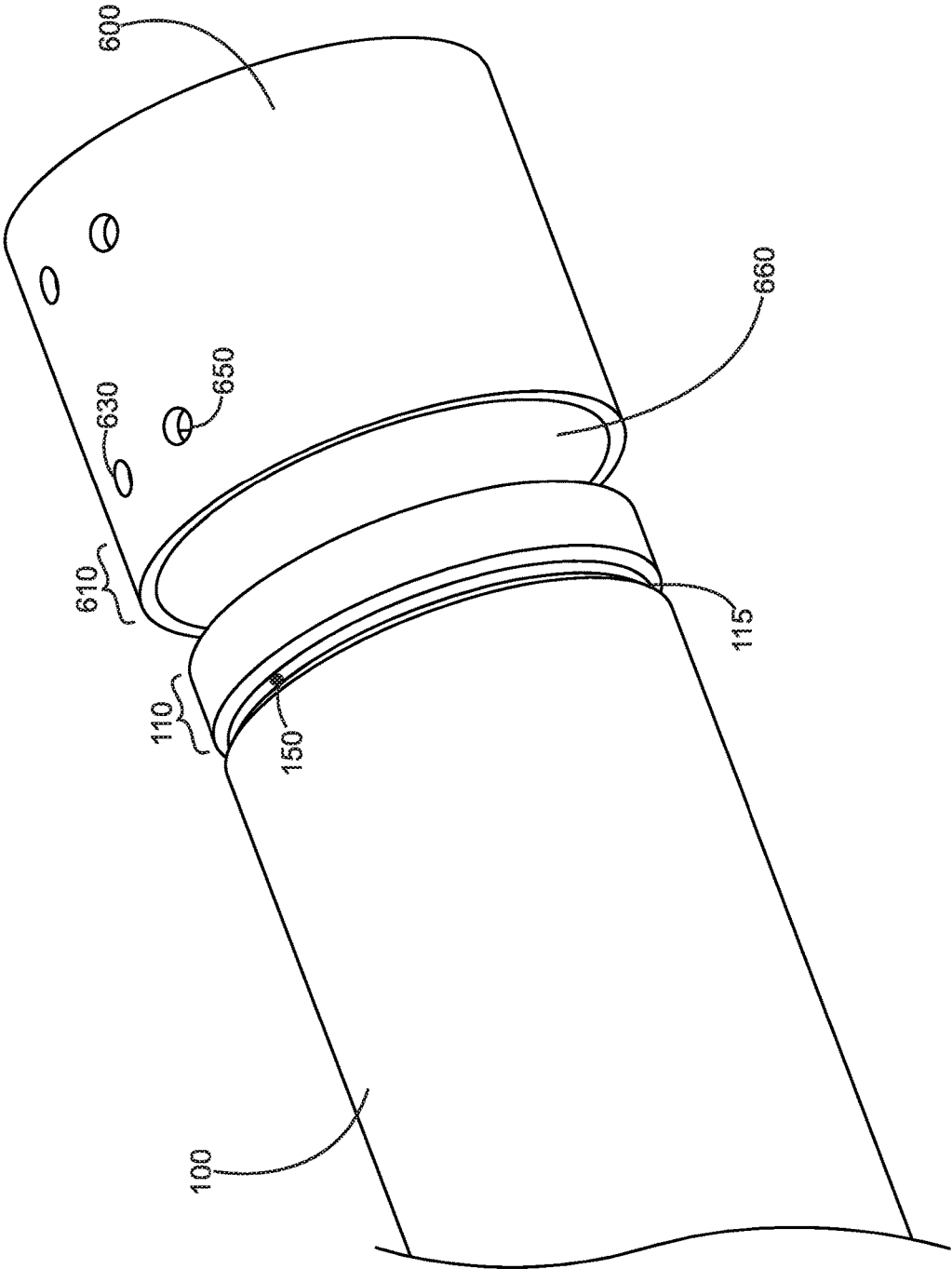


Fig. 31



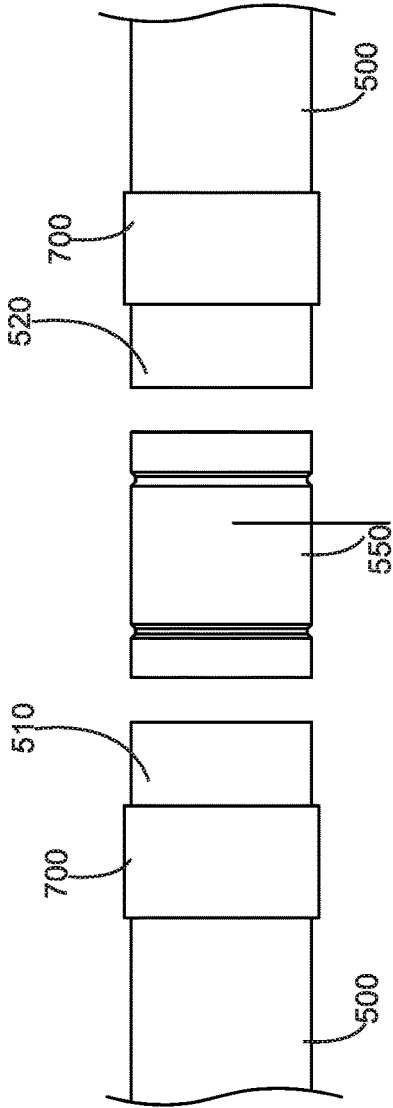


Fig. 32a

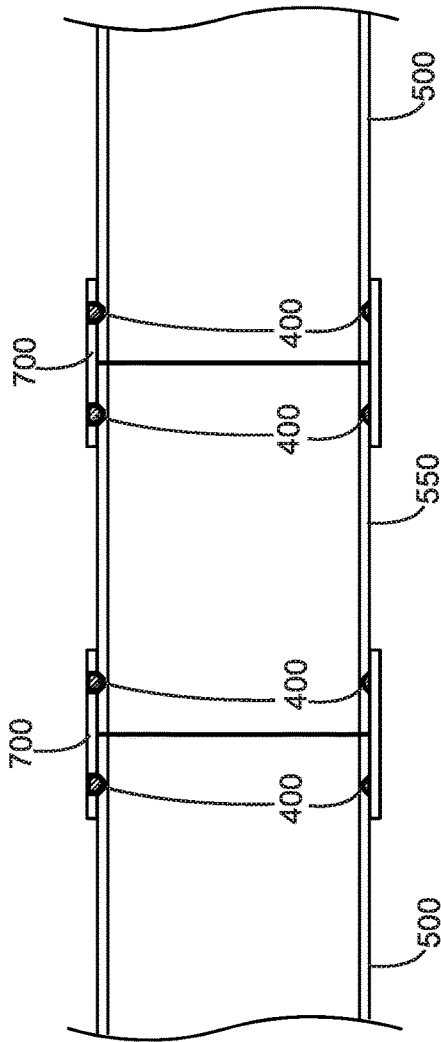


Fig. 32b

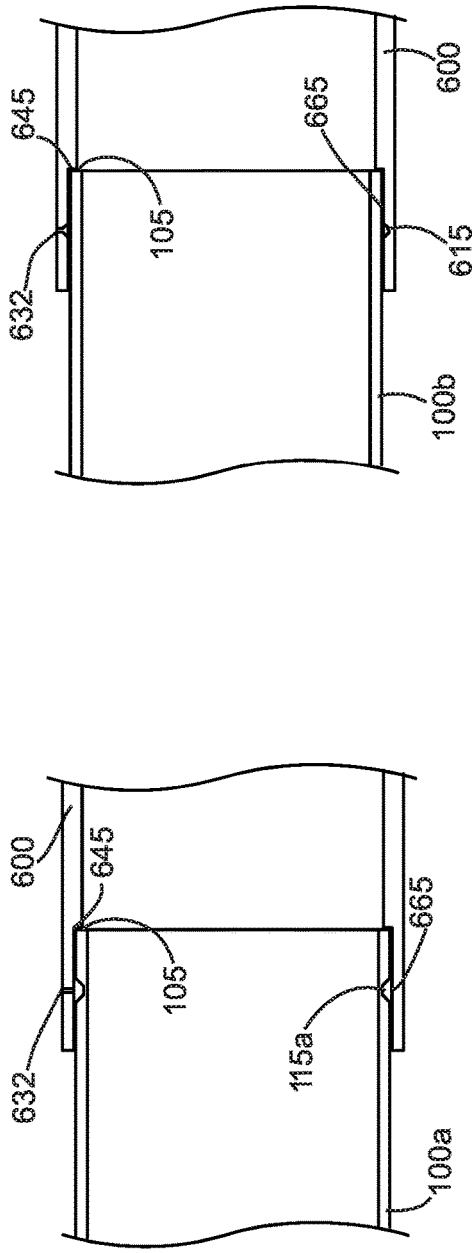


Fig. 33b

Fig. 33a

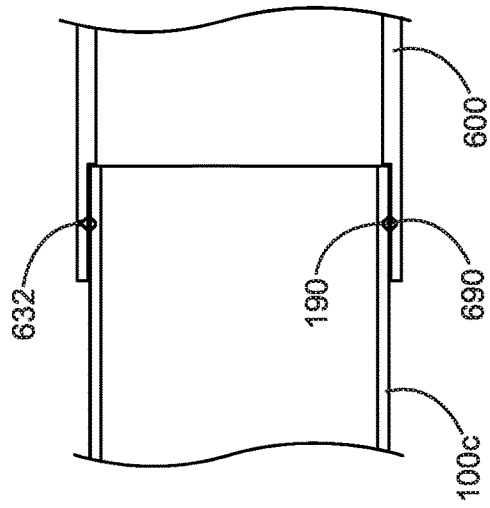


Fig. 33c

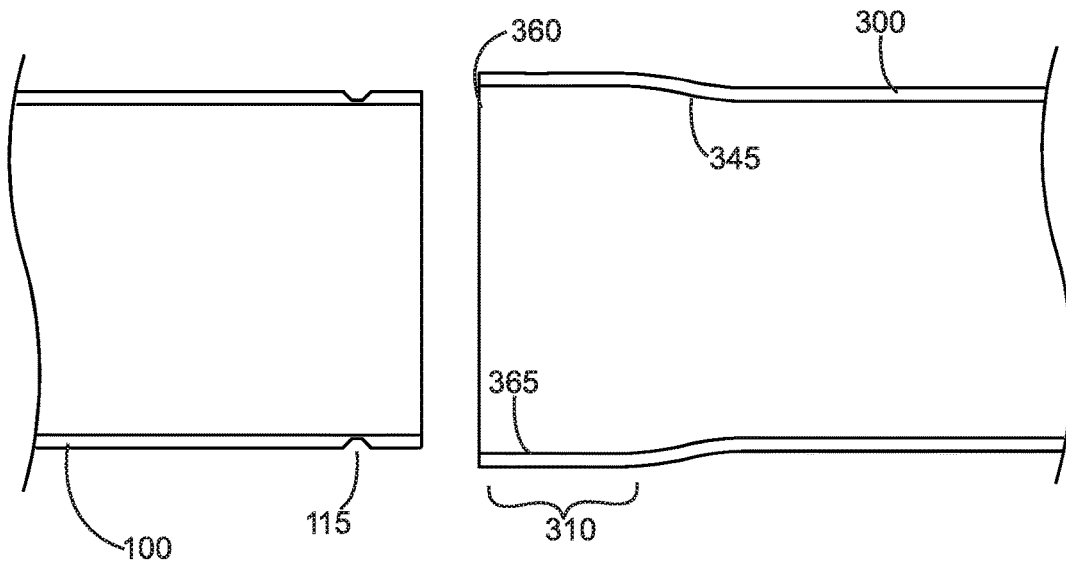


Fig. 34

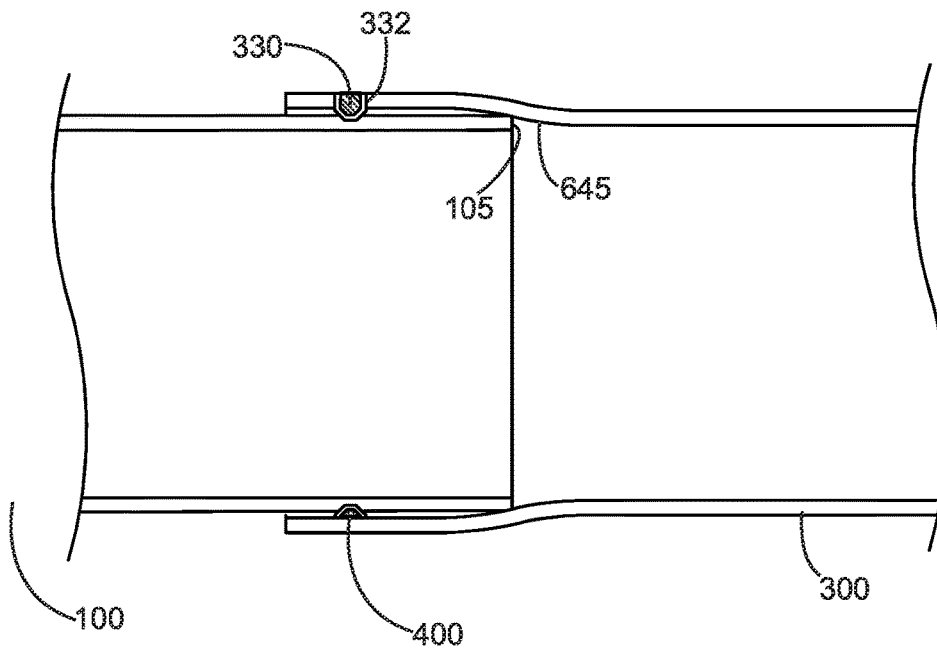


Fig. 35

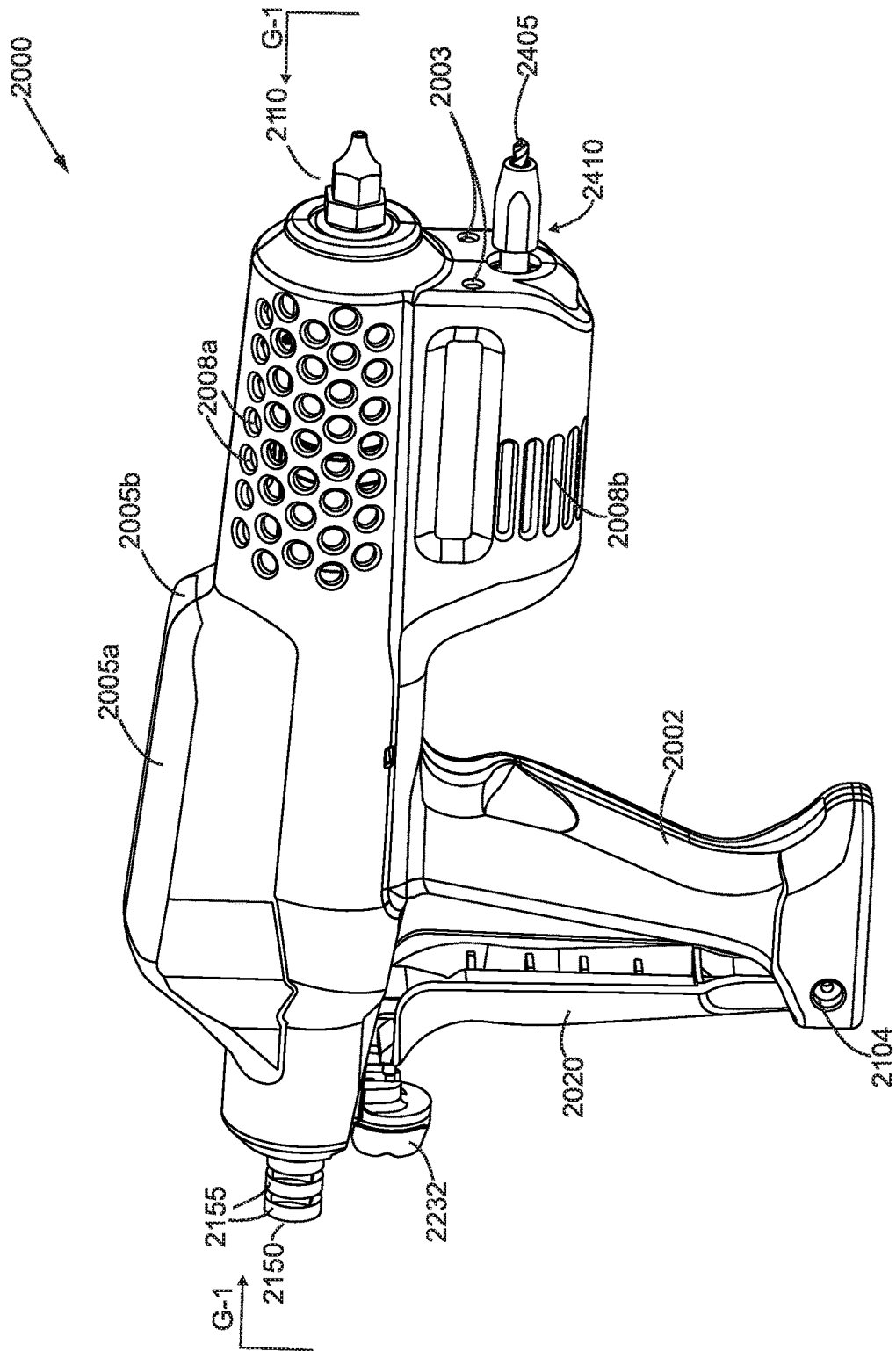


Fig. 36

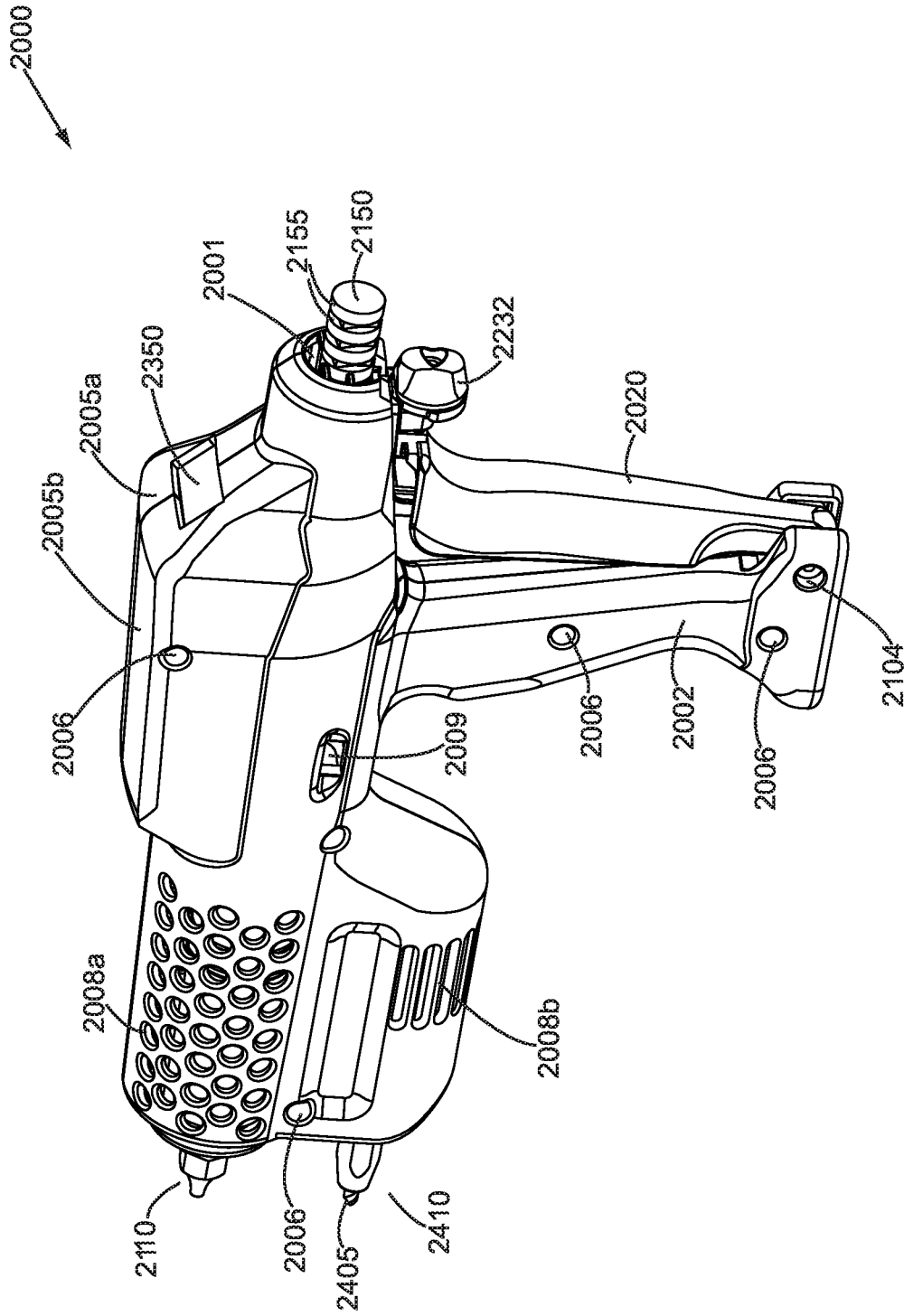


Fig. 37

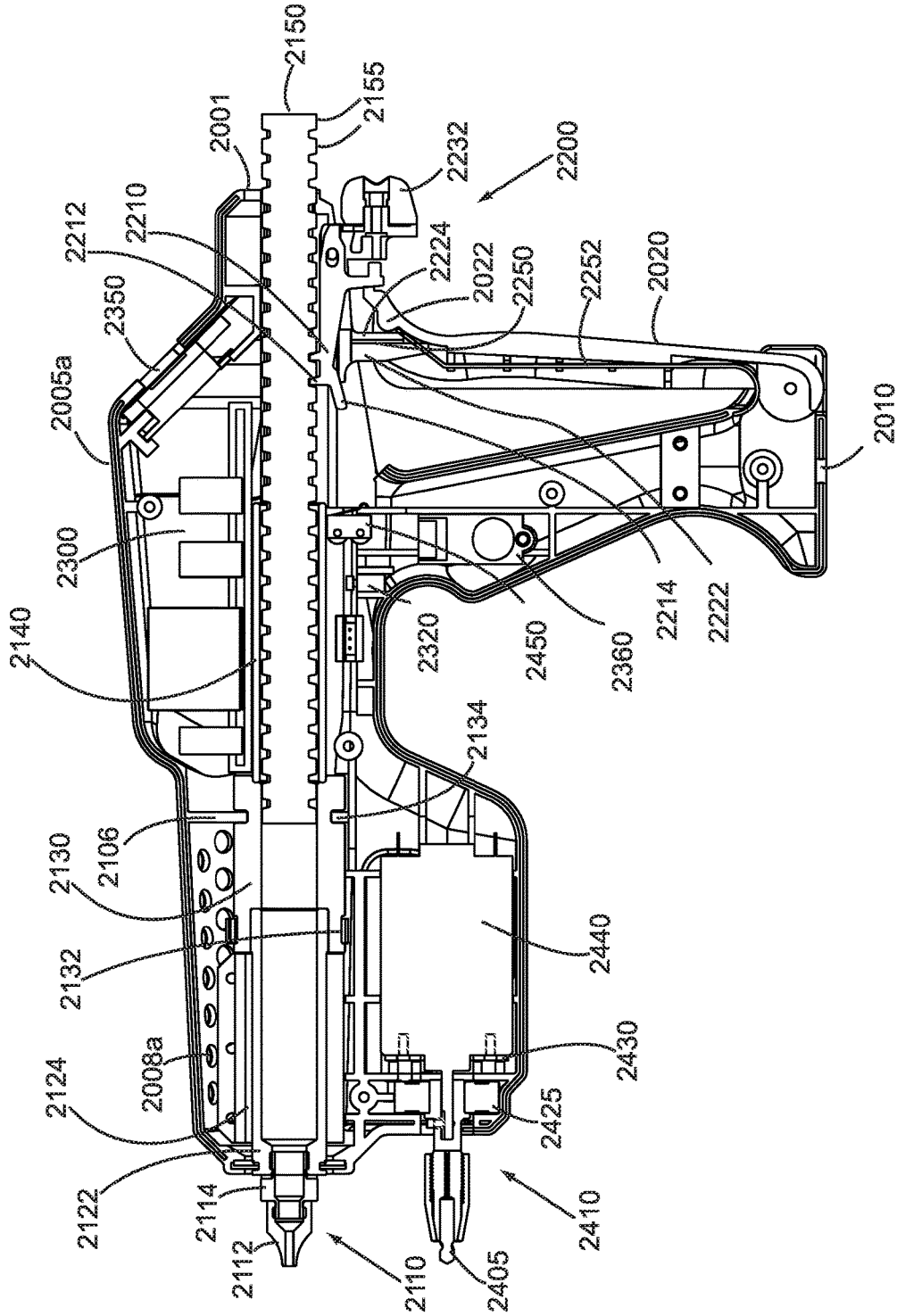


Fig. 38

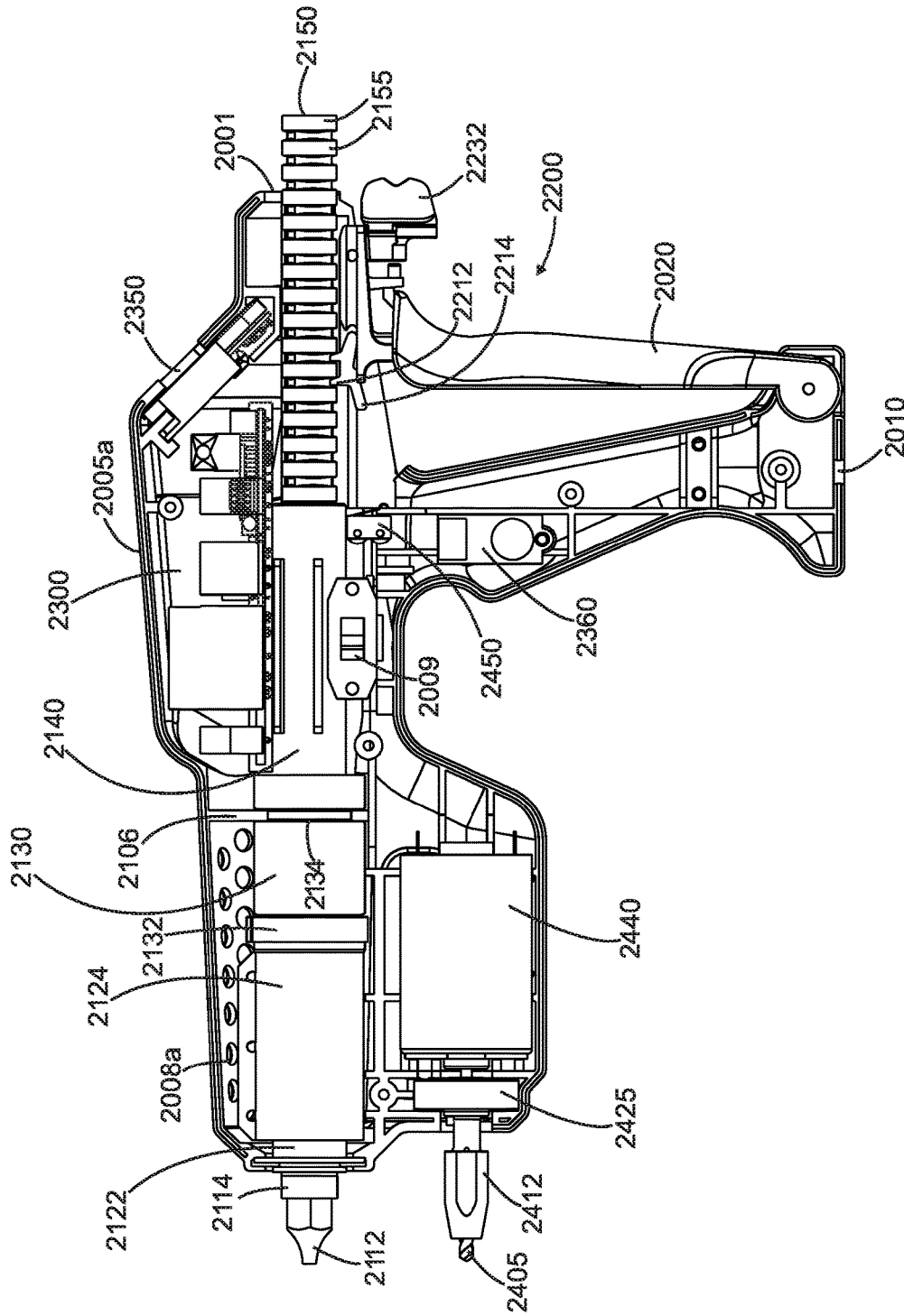


Fig. 39

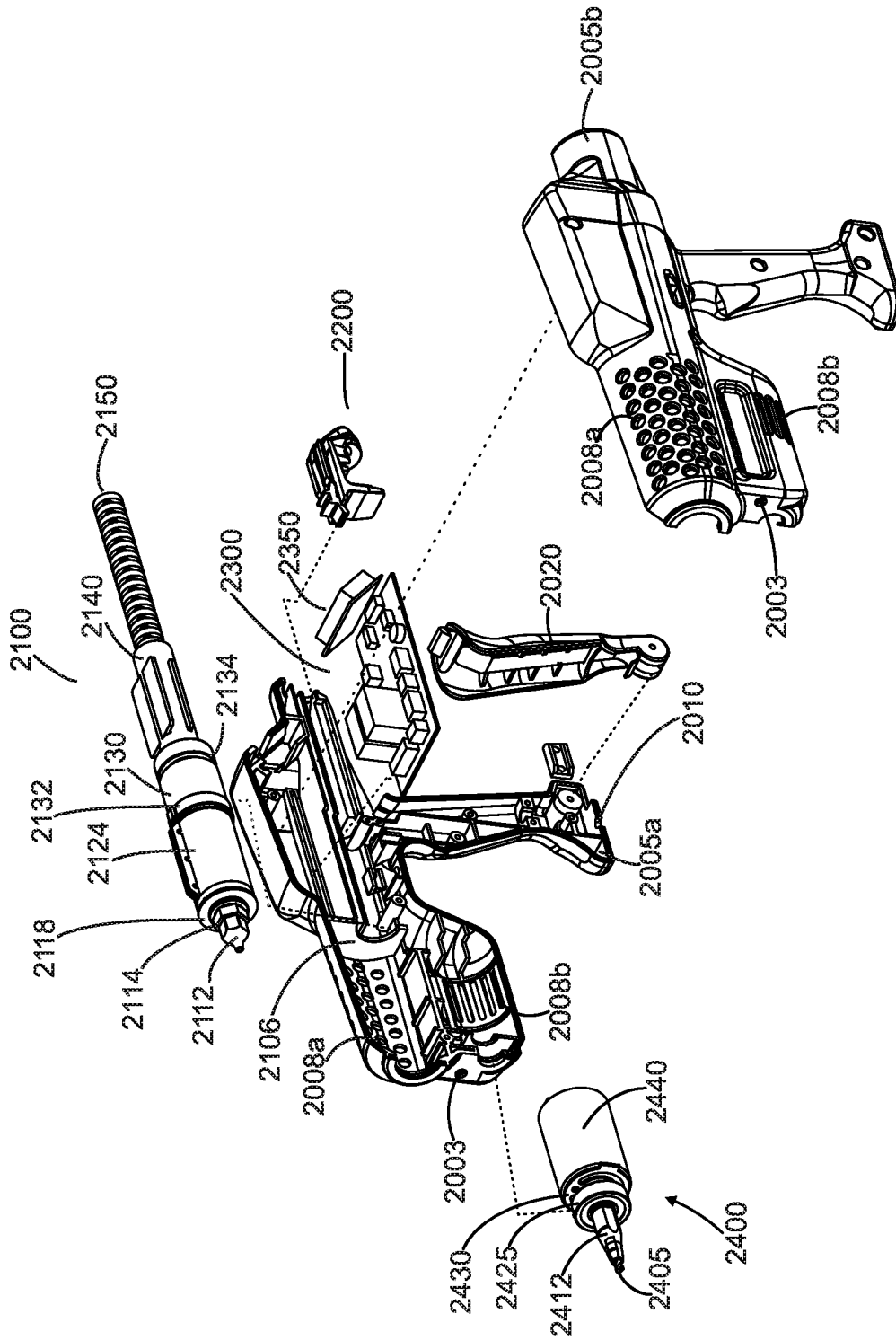


Fig. 40



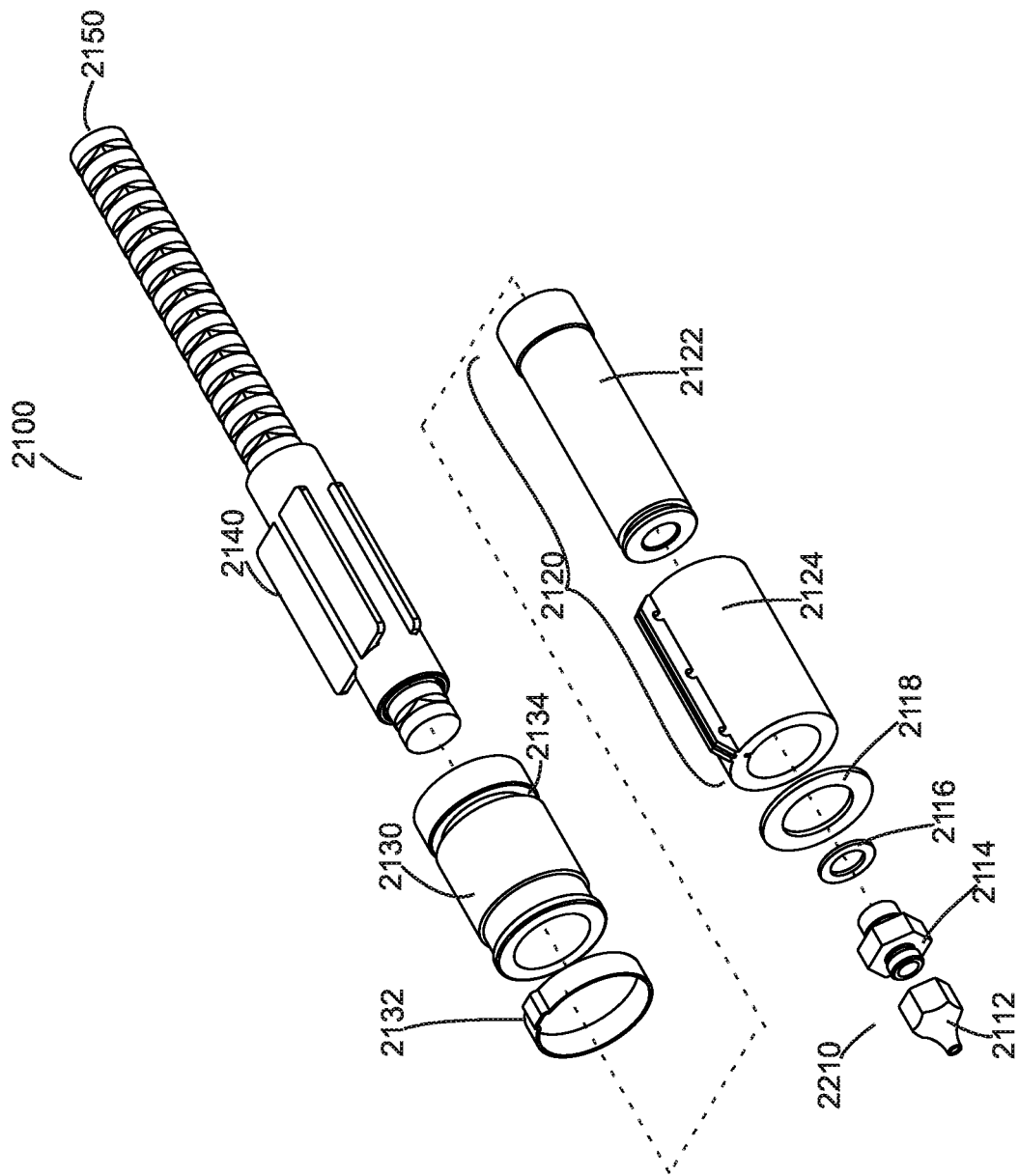


Fig. 41

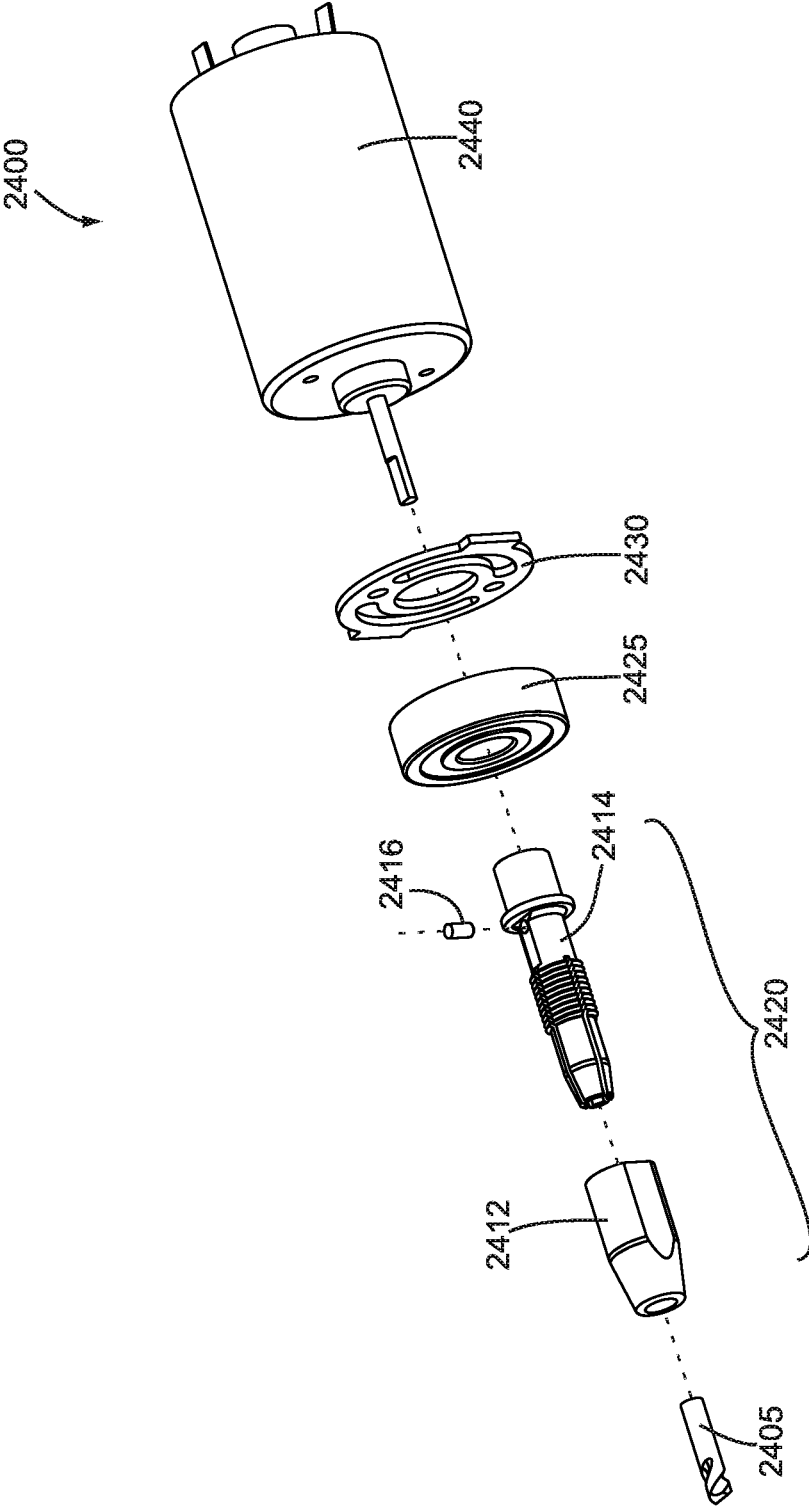


Fig. 42

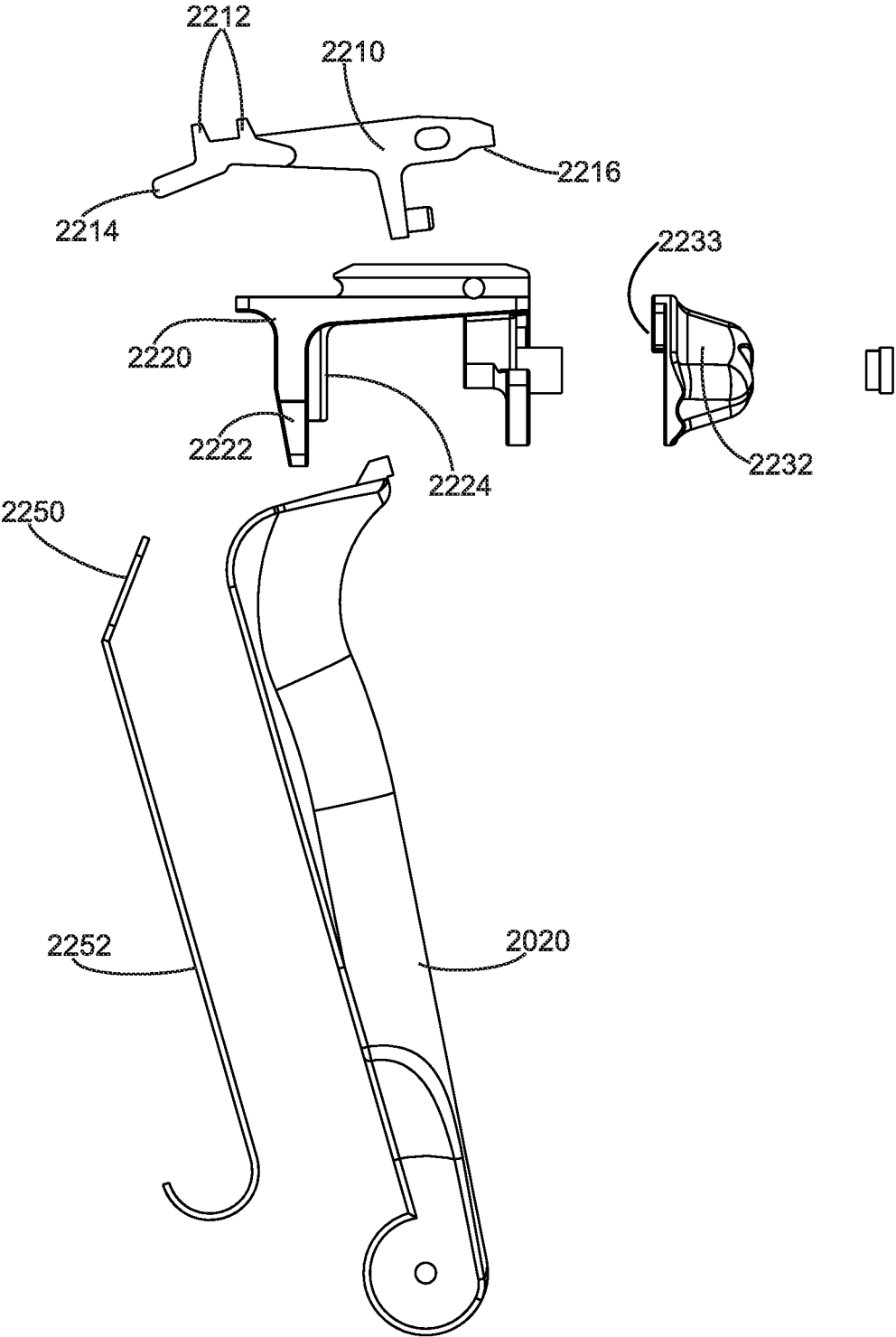


Fig. 43

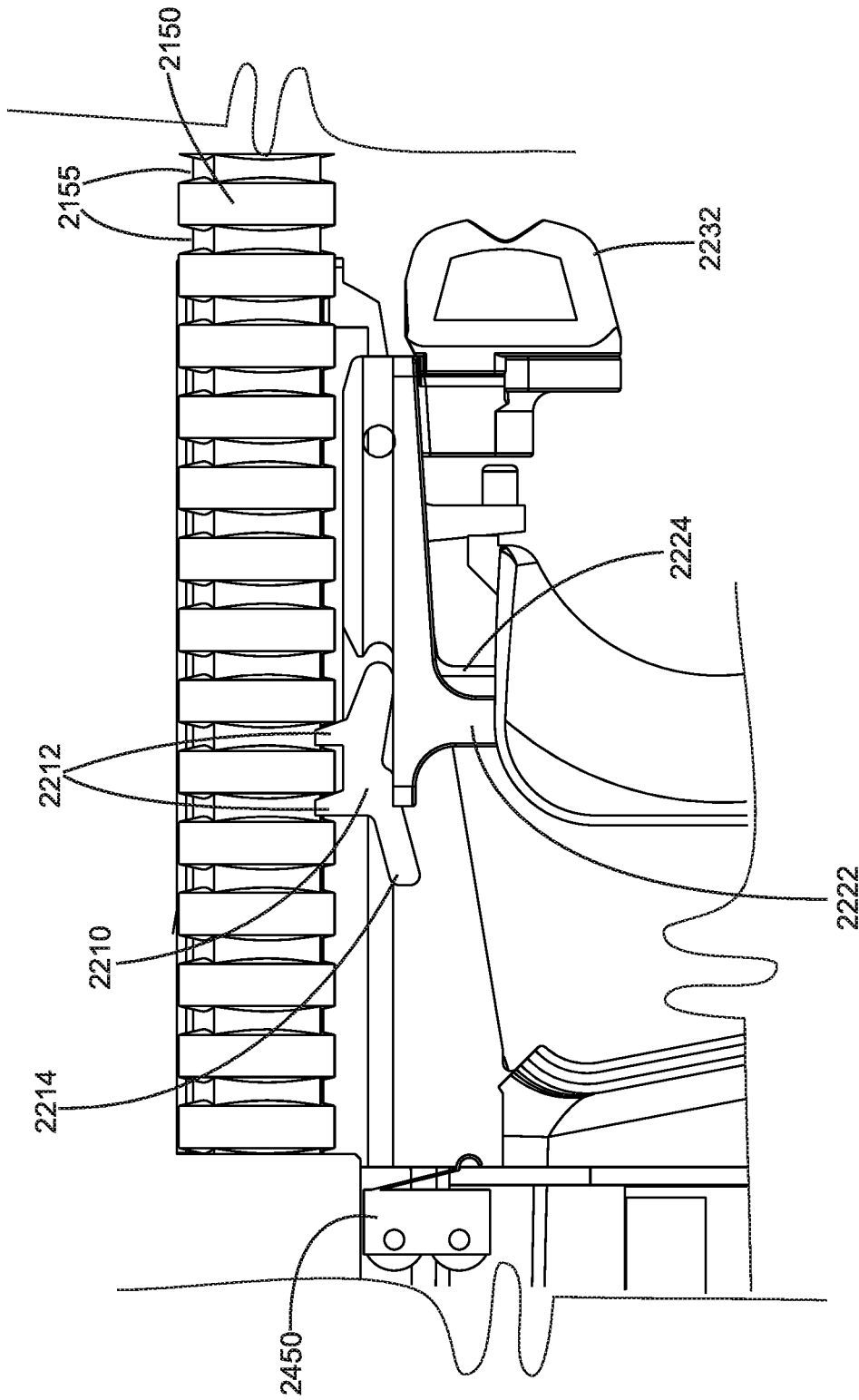


Fig. 44

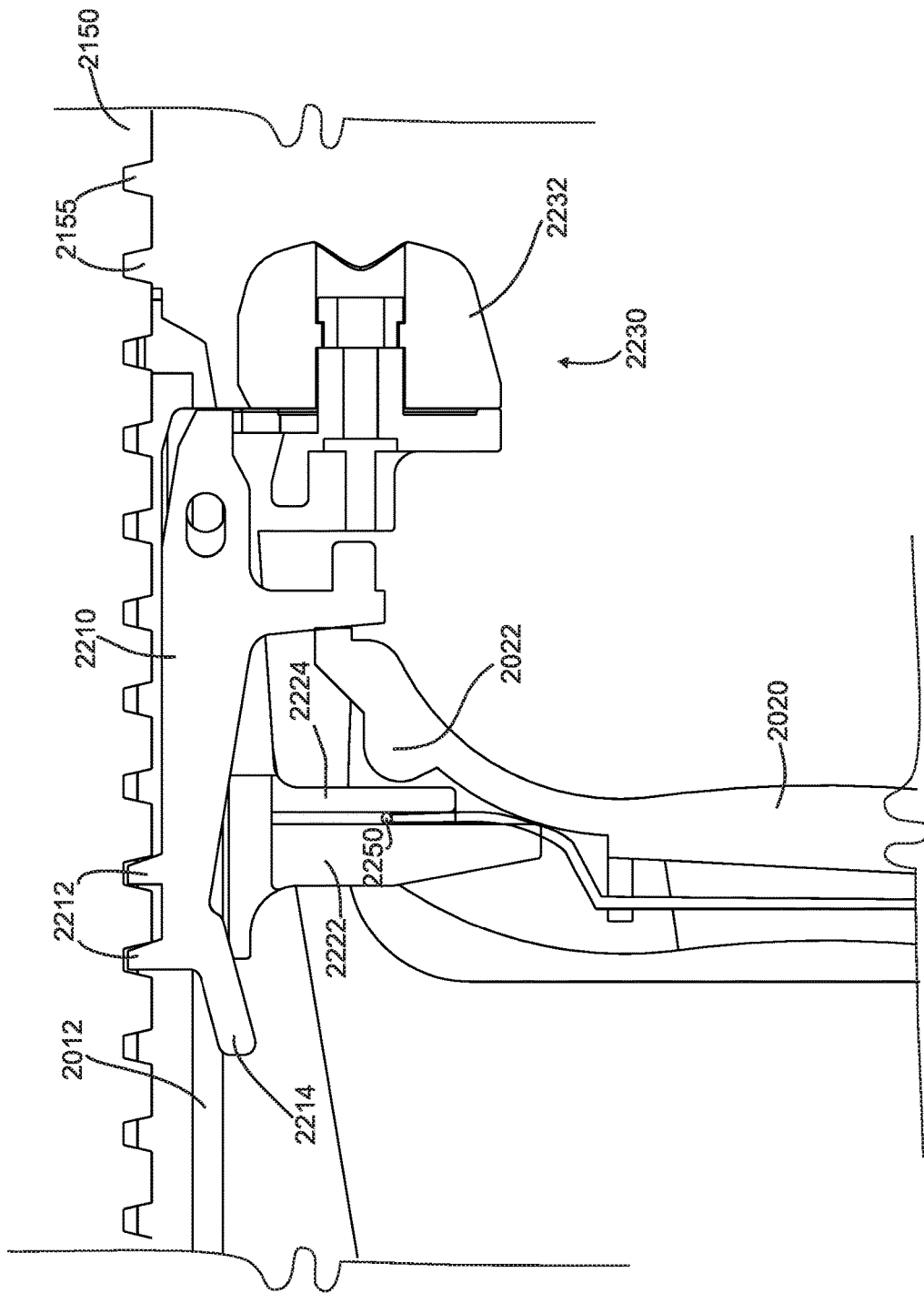


Fig. 45

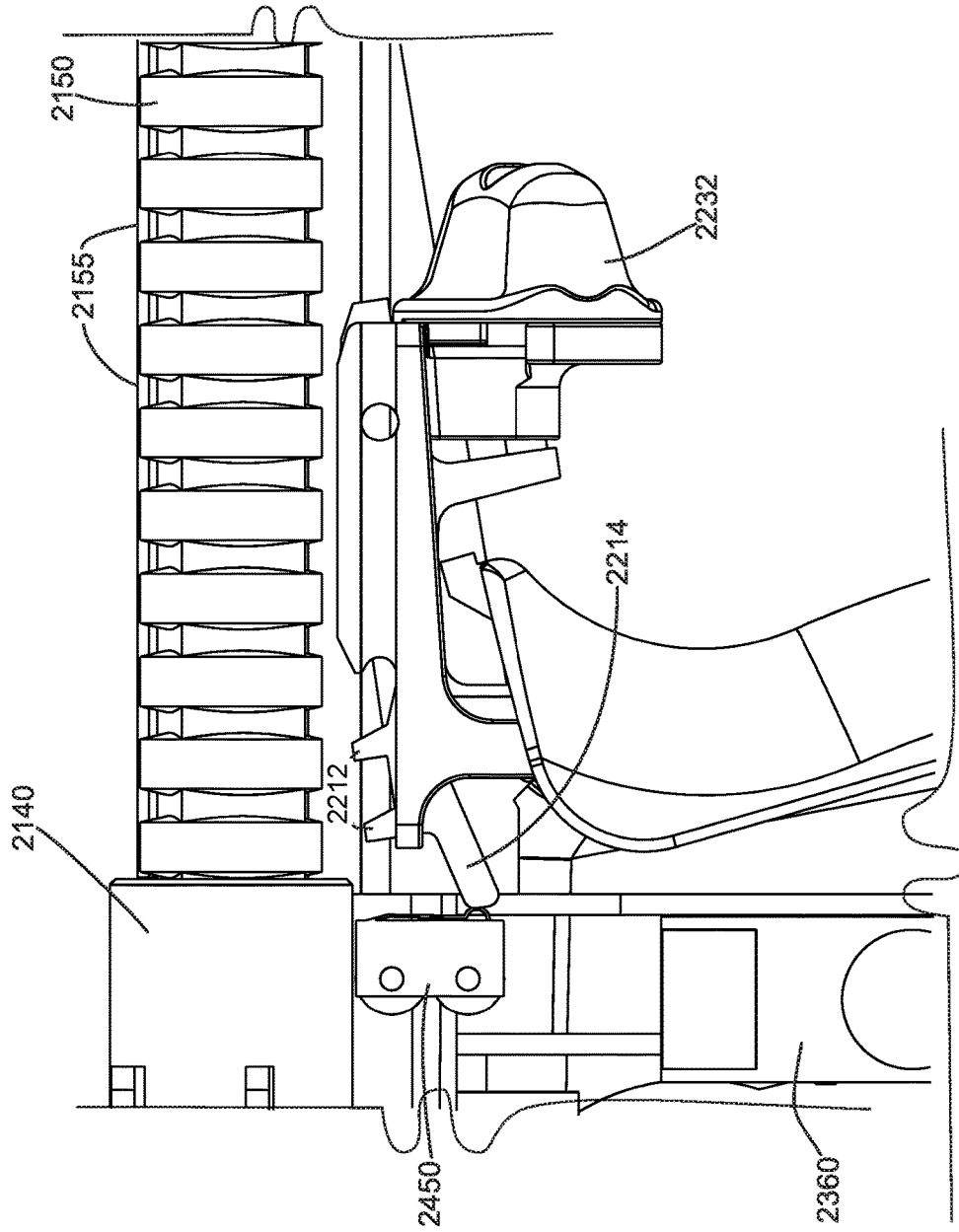


Fig. 46

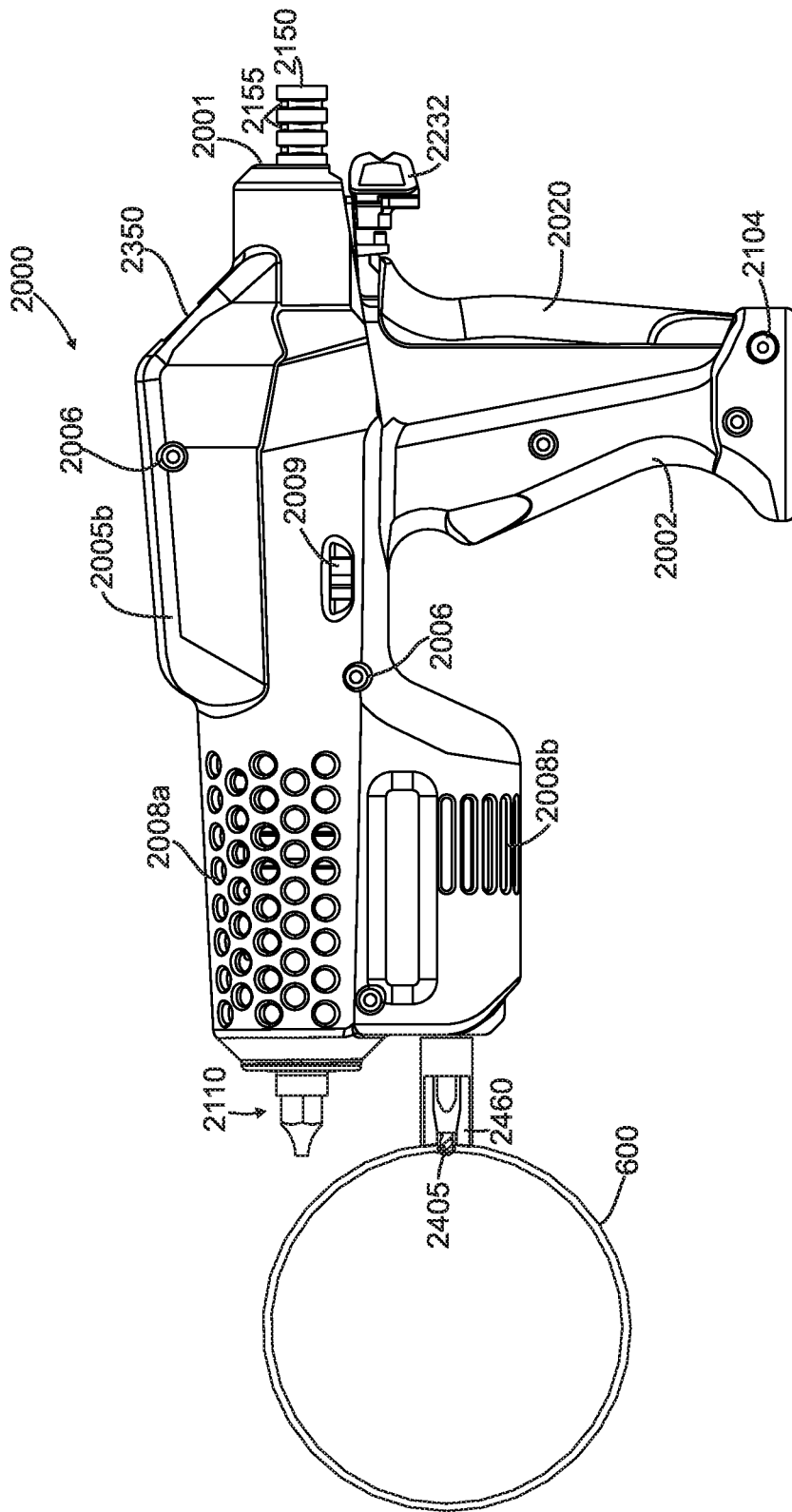


Fig. 47

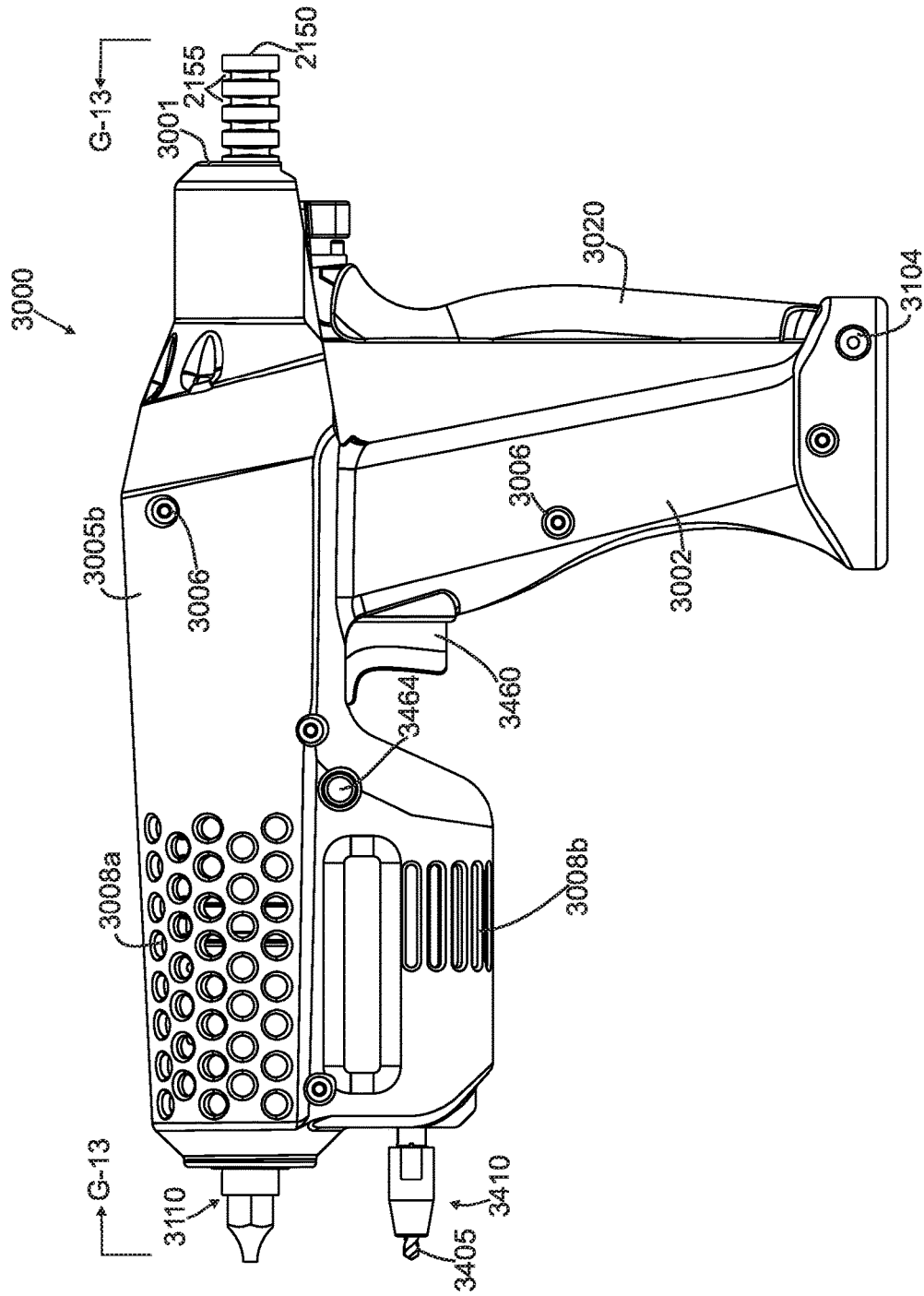


Fig. 48



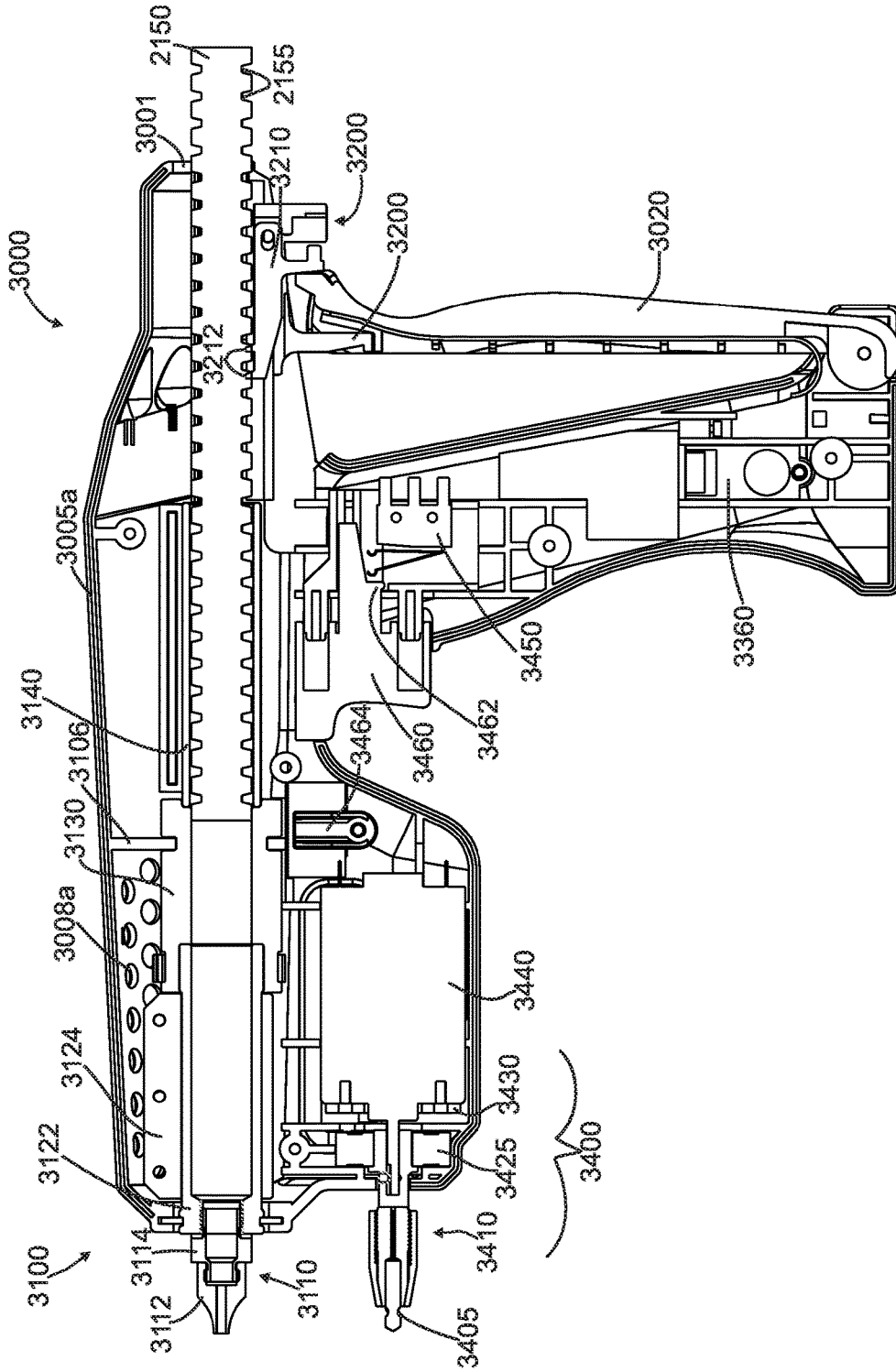


Fig. 49

## PIPE CUTTING TOOL AND METHODS FOR USE

### CROSS-REFERENCES TO RELATED APPLICATION

This application is a divisional of U.S. patent application Ser. No. 14/471,781, filed on Aug. 28, 2014 which itself claims the benefit of priority under 35 USC 119 from Canadian Patent Application No. 2,829,002, filed on Sep. 27, 2013 entitled PIPE CUTTING TOOL AND METHODS FOR USE, the specifications of which is incorporated herein by reference in its entirety.

### FIELD

Embodiments disclosed herein relate generally to a tool for use in connecting pipes, and more particularly to a tool for lathing and cutting pipes as part of a method for connecting pipes. Preferably, the pipes and fittings comprise a thermoplastic material such as polyvinyl chloride (PVC) and/or chlorinated polyvinyl chloride (CPVC).

### INTRODUCTION

Piping systems are used to convey liquids or gasses within, or between, residential, commercial, and/or industrial buildings. For example, most residential buildings have a potable water distribution system for providing cold and/or hot water at one or more locations within the building (e.g. sinks, showers, dish or clothes washing machines).

Typically, piping systems are made up of a number of components including straight or curved pipe sections, fittings (e.g. elbow fittings), valves, etc. to provide an interior flow path for the liquid being conveyed. When assembling a piping system (such as a system comprising thermoplastic pipes), it is generally considered important to ensure that the components are joined in a manner that provides a seal against liquids or gasses flowing out from the interior of the piping system through the joints, and in a manner that provides a durable connection that prevents the components from separating due to mechanical and/or hydraulic stresses applied to the piping system.

Thermoplastic pipes and fittings may be joined by means of cement. It is known that, to joint two surfaces together, such as a pipe and a fitting, the joining surfaces should be softened and made semi-fluid. Sufficient cement should be applied to fill the gap between the surfaces to be joined. The pipe and fitting should be made while the surfaces are still wet and cement is still fluid. In some cases, a primer may be used to soften the surfaces to be joined.

While the basic steps are known, many different technologies have been developed to provide a reliable technique to join pipes and fittings. Once an installation is complete (e.g., the interior walls of a building are finished or a piping system is buried under a road), accessing the piping system to repair a leak is typically time consuming and expensive. Examples of systems that have been developed include U.S. Pat. Nos. 2,961,363; 3,307,997; 5,252,157; 5,529,656; 6,149,756; 6,431,282; 6,652,690; US 2001/0048223 A1; US 2006/0197338 A1; and DE 10 2009 061 082.

### SUMMARY

The following introduction is provided to introduce the reader to the more detailed discussion to follow. The intro-

duction is not intended to limit or define any claimed or as yet unclaimed invention. One or more inventions may reside in any combination or sub-combination of the elements or process steps disclosed in any part of this document including its claims and figures.

In one broad aspect, there is provided a cutting tool for a pipe wherein the cutting tool includes a plurality of cutting elements (e.g., first, second, and third cutting members) which are configured to sequentially engage the pipe. For example, the cutting members may comprise a chamfering tool, a grooving tool and a cutting tool. A pipe may be sequentially chamfered and/or grooved and then cut. An advantage of this design is that the peak load applied to the motor may be reduced thereby permitting a lighter motor to be utilized and thereby reducing the weight of the cutting tool and increasing the portability of the cutting tool.

The method and apparatus may be used to join one pipe with another pipe or a pipe with a fitting, such as a valve, splitter or the like. The pipe may be made of a thermoplastic material. The thermoplastic material may be one or more of acrylonitrile butadiene styrene (ABS), PVC, CPVC, ethylene vinyl acetate (EVA), polyethylene (PE), or the like.

In accordance with this aspect, there is provided a cutting tool comprising:

- (a) a plurality of rollers; a clamping member moveable between an open position in which the pipe is insertable between the plurality of rollers and a clamping position in which the pipe is secured between the rollers;
- (b) a cutting apparatus comprising first, second, and third cutting members configured to sequentially engage the pipe when positioned between the plurality of rollers;
- (c) a drive motor drivingly connected to at least one of the rollers; and,
- (d) an actuator operatively connected to the drive motor.

In some embodiments, the plurality of rollers may comprise at least one set of lower rollers and at least one upper roller, the clamping member comprises the at least one upper roller and the cutting tool further comprises a support trough having the at least one set of lower rollers.

In some embodiments, the first cutting member may be configured to cut an annular groove in the pipe, the second cutting member may be configured to chamfer at least a portion of the pipe located between the first and third cutting members, and the third cutting member may be configured to cut the pipe into two sections at a location on one side of the groove.

In some embodiments, the support trough may be adapted to receive different sized pipes.

In some embodiments, the at least one set of lower rollers may comprise a first set of lower rollers configured to receive a pipe having a first diameter and a second set of lower rollers configured to receive a pipe having a second diameter that is larger than the first diameter.

In some embodiments, the support trough may be generally V-shaped with the first set of lower rollers positioned in a lower portion of the trough and the second set of lower rollers positioned above the first set of lower rollers.

In some embodiments, the drive motor may be drivingly connected to the at least one set of lower rollers.

In some embodiments, the clamping member may comprise at least one upper roller and the cutting apparatus.

In some embodiments, the at least one upper roller may comprise first and second spaced apart upper rollers and the cutting apparatus may be positioned between the first and second spaced apart upper rollers.

## 3

In some embodiments, the cutting apparatus may be non-rotationally mounted on a shaft, and the first and second spaced apart upper rollers are rotationally mounted on the shaft.

In some embodiments, the plurality of rollers, the clamping member and the cutting apparatus may be provided in a main body and the support trough extends to either side of the main body.

In some embodiments, the support trough may include an adjustable pipe stop.

In some embodiments, the cutting tool may further comprise a cutting lever drivingly connected to the shaft, the cutting lever is moveable between a first position in which the first cutting member engages the pipe, a second position in which the second cutting member engages the pipe and a third position in which the third cutting member engages the pipe.

In some embodiments, the cutting lever may be moveable from a neutral position in which the cutting apparatus does not engage the pipe and the first position.

In another broad aspect, there is provided a method of cutting a pipe using a portable cutting tool, wherein the successive sections of the pipe may be prepared by sliding the pipe sequentially along a cutting tool and machining successive pipe ends. An advantage of this aspect is that successive parts of a pipe may be prepared for installation without changing the position or orientation of the cutting tool or rotating the pipe to present an opposite end to the same side of the cutting tool.

In accordance with this aspect, there is provided a portable cutting tool comprising:

- (a) a cutting apparatus comprising a first and second cutting members, each of which is configured to cut an annular groove in a pipe and a third cutting member positioned between the first and second cutting members wherein the third cutting member is configured to cut the pipe into two sections;
- (b) a longitudinally extending support, the support having a central section located at a position of the first and second cutting apparatus and first and second opposed sections on either side of the central section;
- (c) a plurality of rollers oriented generally parallel to the support and having longitudinally spaced apart ends, and the at least one cutting member is positioned between the spaced apart ends, the method comprising:
  - (d) placing the pipe on the central section of the support;
  - (e) cutting two spaced apart grooves into the pipe and cutting the pipe into first and second sections wherein a first end of each section has a groove and removing the first section of pipe from the first section of the support;
  - (f) sliding at least a portion of the second section of pipe along the support to rest upon the first section of the support; and,
  - (g) cutting a groove into the second section of pipe.

In some embodiments, the method may further comprise cutting a second spaced apart groove into the second section of pipe and cutting the second section of the pipe into third and fourth sections and removing the third section of pipe from the first section of the support.

In some embodiments, each cutting apparatus may further comprise a third cutting member that is configured to chamfer at least a portion of the pipe located between the first and second cutting members and the method further comprises chamfering a portion of the pipe prior to cutting the pipe into first and second sections.

## 4

In another broad aspect, there is provided an apparatus for cutting chamfering, grooving and cutting a pipe. An advantage of this design is that a single tool may be used to machine chamfer, groove and cut a pipe.

In accordance with this aspect, there is provided an apparatus comprising:

- (a) a base comprising a pipe support having at least one set of lower rollers;
- (b) an upper frame supporting a cutting apparatus and at least one upper roller, the upper frame being moveable relative to the base between an open position in which the pipe may be inserted between the at least one set of lower rollers and the at least one upper roller, and a clamping position in which the pipe is in contact with the at least one set of lower rollers and the at least one upper roller;
- (c) the cutting apparatus comprising a grooving member configured to provide an annular groove on an outer surface of the pipe, a cutting member configured to cut the pipe, and a chamfering member configured to provide a chamfer on the outer surface of the pipe between a location of the annular groove and a location of the cut in the pipe;
- (d) a drive motor drivingly connected to at least one roller of the at least one set of lower rollers; and,
- (e) an actuator operatively connected to the drive motor.

In some embodiments, the grooving, chamfering, and cutting members may be configured to sequentially groove, chamfer, and cut the pipe.

In some embodiments, the grooving, chamfering, and cutting members may be configured to sequentially chamfer, groove, and cut the pipe.

In some embodiments, the grooving and chamfering members may be configured to contemporaneously groove and chamfer the pipe, and the cutting member may be configured to subsequently cut the pipe.

In some embodiments, the grooving, chamfering, and cutting members may be configured to contemporaneously groove, chamfer, and cut the pipe.

In some embodiments, the grooving member may be configured to provide a rough inner surface of the annular groove.

In some embodiments, the chamfering member may be configured to provide a chamfer of between 0.5° to 10°.

In some embodiments, the chamfering member may be configured to provide a chamfer of between 1° to 5°.

In some embodiments, the chamfering member may be configured to provide a chamfer of between 2° to 4°.

In some embodiments, the upper frame may be repositionable relative to the base between a first orientation in which the grooving member is located closer to a first end of the base than the cutting member, and a second orientation in which the cutting member is located closer to the first end of the base than the grooving member, whereby a first and a second end of the pipe can be grooved, chamfered, and cut without rotating the pipe, relative to the base, about an axis transverse to a longitudinal axis of the pipe.

In some embodiments, the grooving member may comprise offset first and second grooving members located on either side of the cutting member, and wherein the chamfering member comprises offset first and second chamfering members located on either side of the cutting member such that each offset chamfering member is positioned between a grooving member and the cutting member.

In some embodiments, the base may comprise a support trough that is adapted to receive different sized pipes.

In some embodiments, the at least one set of lower rollers may comprise a first set of lower rollers configured to receive a pipe having a first diameter and a second set of lower rollers configured to receive a pipe having a second diameter that is larger than the first diameter.

In some embodiments, the support trough may be generally V-shaped with the first set of lower rollers positioned in a lower portion of the trough and the second set of lower rollers positioned above the first set of lower rollers.

In some embodiments, the drive motor may be drivably connected to the at least one set of lower rollers.

In another broad aspect, there is provided an apparatus for cutting pipe which is adapted to machine or cut different sizes of pipe. Preferably, the apparatus is adapted to chamber and/or groove, and cut different sized pipes. An advantage of this design is that a single tool may be used to machine and cut different sized pipes.

In accordance with this aspect, there is provided an apparatus comprising:

- (a) a base comprising a pipe support having at least one set of lower rollers;
- (b) an upper frame supporting a first cutting apparatus, a second cutting apparatus, and at least one upper roller, the upper frame being moveable relative to the base between an open position in which a pipe may be inserted between the at least one set of lower rollers and the at least one upper roller, and a clamping position in which the inserted pipe is in contact with the at least one set of lower rollers and the at least one upper roller;
- (c) the first and second cutting apparatus being moveable between a first cutting position in which the first cutting apparatus is positioned to cut a pipe having a first diameter, and a second cutting position in which the second cutting apparatus is positioned to cut a pipe having a second diameter that is smaller than the first diameter;
- (d) a drive motor drivably connected to at least one roller in the at least one set of lower rollers; and,
- (e) an actuator operatively connected to the drive motor.

In some embodiments, the first cutting apparatus may comprise a first grooving member configured to provide an annular groove on an outer surface of a pipe having the first diameter, a first cutting member configured to cut the pipe of the first diameter into first and second sections, and a first chamfering member configured to provide a chamfer on the outer surface of the pipe of the first diameter between a location of the annular groove and a location of the cut in the pipe.

In some embodiments, the second cutting apparatus may comprise a second grooving member configured to provide an annular groove on an outer surface of a pipe having the second diameter, a second cutting member configured to cut the pipe of the second diameter into first and second sections, and a second chamfering member configured to provide a chamfer on the outer surface of the pipe of the second diameter between a location of the annular groove and a location of the cut in the pipe.

In some embodiments, the upper frame may be repositionable relative to the base between a first orientation in which a first end of the first cutting apparatus is located closer to a first end of the base than a second end of the first cutting apparatus, and a second orientation in which the first end of the first cutting apparatus is located closer to the first end of the base than the second end of the first cutting apparatus, whereby a first and a second end of the pipe can

be grooved, chamfered, and cut without rotating the pipe, relative to the base, about an axis transverse to a longitudinal axis of the pipe.

In some embodiments, the first grooving member may comprise offset first and second grooving members located on either side of the first cutting member, and wherein the first chamfering member comprises offset first and second chamfering members located on either side of the cutting member such that each offset chamfering member is positioned between a grooving member and the cutting member.

In some embodiments, the second grooving member may comprise offset first and second grooving members located on either side of the second cutting member, and wherein the second chamfering member comprises offset first and second chamfering members located on either side of the cutting member such that each offset chamfering member is positioned between a grooving member and the cutting member.

In some embodiments, the base may comprise a support trough that is adapted to receive different sized pipes.

In some embodiments, the at least one set of lower rollers may comprise a first set of lower rollers configured to receive a pipe having a first diameter and a second set of lower rollers configured to receive a pipe having a second diameter that is larger than the first diameter.

In some embodiments, the support trough may be generally V-shaped with the first set of lower rollers positioned in a lower portion of the trough and the second set of lower rollers positioned above the first set of lower rollers.

In some embodiments, the drive motor may be drivably connected to the at least one set of lower rollers.

In another broad aspect, there is provided an apparatus for cutting a pipe wherein the cutting tools may be repositioned, such as by rotating the cutting tools or an upper frame housing the cutting tools about a vertical axis, so that the cutting tools are presented in a reverse order. An advantage of this design is that the apparatus may be used in a long narrow corridor for cutting or machining and cutting a successive sections of pipe without rotating the pipe to present an opposite end to the same side of the cutting tool.

In accordance with this aspect, there is provided an apparatus comprising:

- (a) a base having first and second base sides, and comprising a pipe support having at least one set of lower rollers;
- (b) an upper frame having first and second upper frame sides, the upper frame supporting a cutting apparatus and at least one upper roller, wherein the upper frame is repositionable relative to the base between a first orientation in which first upper frame side is located closer to the first base side than the second base side, and a second orientation in which the second upper frame side is located closer to the first base side than the second base side, whereby a first and a second end of the pipe can be cut without rotating the pipe, relative to the base, about an axis transverse to a longitudinal axis of the pipe;
- (c) a drive motor drivably connected to at least one roller in the at least one set of lower rollers; and,
- (d) an actuator operatively connected to the drive motor.

In some embodiments, in each of the first orientation and the second orientation, the upper frame may be moveable relative to the base between an open position in which the pipe may be inserted between the at least one set of lower rollers and the at least one upper roller, and a clamping position in which the pipe is in contact with the at least one set of lower rollers and the at least one upper roller.

In some embodiments, the cutting apparatus may comprise a grooving member configured to provide an annular groove on an outer surface of the pipe, a cutting member configured to cut the pipe, and a chamfering member positioned between the grooving member and the cutting member and configured to provide a chamfer on the outer surface of the pipe.

In some embodiments, the grooving, chamfering, and cutting members may be configured to sequentially groove, chamfer, and cut the pipe.

In some embodiments, the grooving, chamfering, and cutting members may be configured to sequentially chamfer, groove, and cut the pipe.

In some embodiments, the grooving and chamfering members may be configured to contemporaneously groove and chamfer the pipe, and the cutting member may be configured to subsequently cut the pipe.

In some embodiments, the grooving, chamfering, and cutting members may be configured to contemporaneously groove, chamfer, and cut the pipe.

In some embodiments, the grooving member may be configured to roughen an inner surface of the annular groove.

In some embodiments, the chamfering member may be configured to provide a chamfer of between  $0.5^\circ$  to  $10^\circ$ .

In some embodiments, the chamfering member may be configured to provide a chamfer of between  $1^\circ$  to  $5^\circ$ .

In some embodiments, the chamfering member may be configured to provide a chamfer of between  $2^\circ$  to  $4^\circ$ .

In some embodiments, the grooving member may comprise offset first and second grooving members located on either side of the cutting member, and wherein the chamfering member comprises offset first and second chamfering members located on either side of the cutting member such that each offset chamfering member is positioned between a grooving member and the cutting member.

In some embodiments, the base may comprise a support trough that is adapted to receive different sized pipes.

In some embodiments, the at least one set of lower rollers may comprise a first set of lower rollers configured to receive a pipe having a first diameter and a second set of lower rollers configured to receive a pipe having a second diameter that is larger than the first diameter.

In some embodiments, the support trough may be generally V-shaped with the first set of lower rollers positioned in a lower portion of the trough and the second set of lower rollers positioned above the first set of lower rollers.

In some embodiments, the drive motor may be drivingly connected to the at least one set of lower rollers.

These and other aspects and features of various embodiments will be described in greater detail below. The methods and apparatus described herein may be used to connect pipes of various materials (e.g. metallic pipes, thermoplastic pipes) and to create piping systems for transporting various liquids or gasses.

Furthermore, the methods and apparatus may be applied to different sizes of piping, and/or piping systems made of different materials, and therefore may be applicable to piping systems for conveying potable water, non-potable or waste water, or other liquids and/or gasses.

#### BRIEF DESCRIPTION OF THE DRAWINGS

For a better understanding of the described embodiments and to show more clearly how they may be carried into effect, reference will now be made, by way of example, to the accompanying drawings in which:

FIG. 1 is a front perspective view of a pipe cutting tool in accordance with one embodiment;

FIG. 2 is a partially-exploded front perspective view of the pipe cutting tool of FIG. 1;

FIG. 3 is a perspective view of the pipe cutting tool of FIG. 1 with certain components removed;

FIG. 4 is a perspective view of the pipe cutting tool of FIG. 1 with additional components removed;

FIG. 5 is a partially exploded front perspective view of the pipe cutting tool of FIG. 1;

FIG. 6 is a perspective view of a cutting apparatus of the pipe cutting tool of FIG. 1;

FIG. 7 is an end view of the cutting apparatus of FIG. 6;

FIG. 8 is another perspective view of a cutting apparatus of the pipe cutting tool of FIG. 1;

FIG. 9 is a cross section view along line C-9-C-9 in FIG. 6 of the cutting apparatus of FIG. 6;

FIG. 10 is a perspective view of tool bits that may be used with the cutting apparatus of FIG. 6;

FIG. 11 is an end view of one side of the pipe cutting tool of FIG. 1;

FIG. 12 is an end view of the other side of the pipe cutting tool of FIG. 1;

FIG. 13 is an end view of the pipe cutting tool of FIG. 1 with certain components removed;

FIG. 14 is an end view of the pipe cutting tool of FIG. 1 with certain components removed, with the upper frame in another position;

FIG. 15 is an end view of the pipe cutting tool of FIG. 1 with certain components removed, with the upper frame in yet another position;

FIG. 16 is an end view of the pipe cutting tool of FIG. 1 with certain components removed, in a clamping position about a pipe of a first diameter;

FIG. 17 is an end view of the pipe cutting tool of FIG. 1 with certain components removed, in a clamping position about a pipe of a second diameter;

FIG. 18 is an end view of the pipe cutting tool of FIG. 1 with certain components removed, in a clamping position about a pipe of a third diameter;

FIG. 19 is an end view of the pipe cutting tool of FIG. 1 with certain components removed, in a clamping position about a pipe of a fourth diameter;

FIG. 20 is a front perspective view of the pipe cutting tool of FIG. 1 with certain components removed, and with a pipe being supported by a set of lower rollers;

FIG. 21a is a front perspective view of the pipe cutting tool of FIG. 20 with the upper frame in a clamping position, and a lever in a neutral position;

FIG. 21b is a front view of the pipe cutting tool of FIG. 20 with the upper frame in a clamping position, and a lever in a neutral position;

FIG. 22a is a front perspective view of the pipe cutting tool of FIG. 20 with the upper frame in a clamping position, and a lever in a chamfering position;

FIG. 22b is a front view of the pipe cutting tool of FIG. 20 with the upper frame in a clamping position, and a lever in a chamfering position;

FIG. 23a is a front perspective view of the pipe cutting tool of FIG. 20 with the upper frame in a clamping position, and a lever in a grooving position;

FIG. 23b is a front view of the pipe cutting tool of FIG. 20 with the upper frame in a clamping position, and a lever in a grooving position;

FIG. 24a is a front perspective view of the pipe cutting tool of FIG. 20 with the upper frame in a clamping position, and a lever in a cutting position;

FIG. 24*b* is a front view of the pipe cutting tool of FIG. 20 with the upper frame in a clamping position, and a lever in a cutting position;

FIG. 25 is a front view of an end of a pipe that has been chamfered, grooved, and cut using the pipe cutting tool of FIG. 20;

FIG. 26*a* is a cross-section view of an example end of a pipe that has been chamfered, grooved, and cut using the pipe cutting tool of FIG. 20;

FIG. 26*b* is a cross-section view of another example end of a pipe that has been chamfered, grooved, and cut using the pipe cutting tool of FIG. 20;

FIG. 27 is an exploded perspective view of two pipe ends and a hollow fitting in accordance with another embodiment;

FIG. 28 is an exploded cross section view of the two pipe ends and hollow fitting of FIG. 27;

FIG. 29 is a cross section view of the two pipe ends inserted into the hollow fitting of FIG. 27;

FIG. 30 is a cross section view of the two pipe ends and the hollow fitting of FIG. 27 after pipe joining material has been injected;

FIG. 31 is an exploded perspective view of a pipe end and a hollow fitting in accordance with another embodiment;

FIG. 32*a* is an exploded side view of a section of pipe being repaired using a pair of hollow fittings in accordance with another embodiment;

FIG. 32*b* is a cross section view of the section of pipe of FIG. 32*a* being repaired using a pair of hollow fittings;

FIGS. 33*a* to 33*c* are cross section views of a pipe end and a housing in accordance with various embodiments;

FIG. 34 is a cross section view of two pipe ends in accordance with another embodiment;

FIG. 35 is a perspective view of the two pipe ends of FIG. 34 after one end has been inserted into the other;

FIG. 36 is a front perspective view of a pipe sealing tool in accordance with at least one example embodiment;

FIG. 37 is a rear perspective view of the pipe sealing tool of FIG. 36;

FIG. 38 is a cross section view along the line G-1-G-1 in FIG. 36 of the pipe sealing tool of FIG. 36;

FIG. 39 is a side view of the pipe sealing tool of FIG. 36 with a side housing removed and with a lever of the pipe sealing tool in a different position;

FIG. 40 is a partially exploded front perspective view of the pipe sealing tool of FIG. 36;

FIG. 41 is an exploded view of a pipe joining material section of the pipe sealing tool of FIG. 36;

FIG. 42 is an exploded view of a drilling section of the pipe sealing tool of FIG. 36;

FIG. 43 is an exploded view of an actuator of the pipe sealing tool of FIG. 36;

FIG. 44 is a partially cut away view of an end of the actuator of the pipe sealing tool of FIG. 36;

FIG. 45 is a cross section along the line G-1-G1 in FIG. 36 of the end of the actuator of FIG. 44;

FIG. 46 is a side view of the end of the actuator of FIG. 44 with a side housing removed and with the actuator in a different position;

FIG. 47 is a side view of the pipe sealing tool of FIG. 36 shown with an optional drilling guide abutting a pipe section;

FIG. 48 is side view of an alternate pipe sealing tool in accordance with another embodiment; and,

FIG. 49 is a cross section view along the line G-13-G-13 of the alternate pipe sealing tool of FIG. 48.

#### DESCRIPTION OF EXAMPLE EMBODIMENTS

Various apparatuses, methods and compositions are described below to provide an example of an embodiment of

each claimed invention. No embodiment described below limits any claimed invention and any claimed invention may cover apparatuses and methods that differ from those described below. The claimed inventions are not limited to apparatuses, methods and compositions having all of the features of any one apparatus, method or composition described below or to features common to multiple or all of the apparatuses, methods or compositions described below.

It is possible that an apparatus, method or composition described below is not an embodiment of any claimed invention. Any invention disclosed in an apparatus, method or composition described below that is not claimed in this document may be the subject matter of another protective instrument, for example, a continuing patent application, and the applicant(s), inventor(s) and/or owner(s) do not intend to abandon, disclaim, or dedicate to the public any such invention by its disclosure in this document.

The apparatuses, methods and compositions may be used with piping systems made of various materials. The pipes and/or fittings to be connected may be made of a thermoplastic material. The thermoplastic material may be one or more of acrylonitrile butadiene styrene (ABS), PVC, CPVC, ethylene vinyl acetate (EVA), polyethylene (PE) or the like. Preferably, the thermoplastic material is one or more of PVC and CPVC. The pipes and/or fittings to be connected may be made of the same material or they may be made of different materials.

The drawings exemplify the use of the apparatuses, methods and compositions to connect sections or pipe together using a hollow filling. It will be appreciated that the same apparatuses, methods and compositions may be used to connect any parts of a piping system together or to repair any part of a piping system. For example, the apparatuses, methods and compositions may be used to connect a pipe with a fitting such as a valve, splitter, or the like, or to connect one fitting with another fitting.

It will be appreciated that some apparatuses and methods may use one or both of the pipe cutting tool and the pipe sealing tool disclosed herein. For example, in some embodiments, the pipe cutting tool disclosed herein may be used as part of the apparatuses and methods. In other cases, a different pipe cutting tool may be used or the fittings and/or pipes may be formed with one or more of the grooves, passages, and/or chamfers disclosed herein. Alternatively, or in addition, in some cases the pipe sealing tool disclosed herein may be used as part of the apparatuses and methods. In other cases, a different pipe sealing tool or tools may be used.

#### Pipe Cutting Tool

Reference is now made to FIGS. 1 to 24*b*, which exemplify a pipe cutting tool 1000, which may also be referred to as a pipe cutting apparatus that may be used with any apparatus or method disclosed herein or may be used by itself.

Tool 1000 includes a base or lower portion, referred to generally as 1005, for supporting a pipe to be cut, and an upper frame or clamping member, referred to generally as 1100, movable relative to the base for securing a pipe to be cut therebetween, as will be discussed further subsequently.

Tool 1000 receives a pipe that it to be prepared for the methods disclosed herein. Accordingly tool 1000 may be provided with two optional pipe supporting trough extensions 1010, each extending outwardly from opposite sides of base 1005. Pipe supporting trough extensions 1010 are positioned and configured so as to support pipe that is being machined by tool 1000, and are preferably sized to compli-

ment a trough **1020** in the base **1005** that is configured to support a pipe to be cut, as will be discussed further subsequently.

As pipe supporting trough extensions **1010** preferably extend a substantial distance from base **1005**, pipe supporting trough extensions **1010** may be configured or reinforced to maintain their profile during use. For example, one or more stiffening members **1015** may be provided to prevent pipe supporting trough extension **1010** from bending and/or the profile of pipe supporting trough extensions **1010** may be configured to provide strength. It will be appreciated that in some embodiments, only one pipe supporting trough extension **1010** may be provided, and in some embodiments, no pipe supporting trough extensions may be provided.

Optionally, one or more adjustable pipe stops **1012** may be provided in each pipe supporting trough extension **1010**, to assist in positioning a pipe to be cut so that a section of cut pipe has a desired length. Alternatively, or in addition, a ruler or the like may be included in the extensions **1010** for use in determining where to machine a pipe.

Tool **1000** may also include an emergency stop switch **1030** and/or a safety shield **1080** mounted to base **1005**. Safety shield **1080** is preferably made from a durable, translucent material (e.g. poly(methyl methacrylate) or a similar translucent thermoplastic).

A visual alignment aid, such as laser pointer **1090** or a mechanical pointer, may also be provided, such as by being mounted to safety shield **1080** and/or base **1005**, to assist a user in aligning a pipe to be cut.

As exemplified in FIG. 2, base **1005** may also have a support member for rollingly supporting a pipe as the pipe is machined. For example, base **1005** may comprise a plurality of rollers for supporting and, preferably, rotating a pipe to be cut. In the illustrated embodiment, two pairs of first lower rollers, **1330a-b** and **1330c-d**, are provided. Also, two pairs of second lower rollers, **1332a-b** and **1332c-d**, are also provided. As perhaps best seen in FIGS. 16 to 19, the first and second lower rollers may be arranged in generally V-shaped trough **1020** in base **1005**. This arrangement allows tool **1000** to be used to cut pipes of different diameters, with larger diameter pipes being supported by first lower rollers **1330a-d** (see e.g. FIGS. 16 and 17), and smaller diameter pipes being supported by second lower rollers **1332a-d** (see e.g. FIGS. 18 and 19) than are positioned below first lower rollers **1330a-d**.

A pipe that is positioned in tool **1000** is rotated as it is machined. As exemplified, upper and lower rollers are provided. It will be appreciated that one or both of the upper and lower rollers may be driven by a motor so as to rotate when the motor is energized. Accordingly, when the pipe is clamped between the upper and lower rollers and the motor energized, one or more rollers will rotate and this will cause the pipe to rotate while secured in position in tool **1000**. Preferably, as exemplified, the lower rollers are driven.

As exemplified, each set of lower rollers comprises two first forward rollers and two second lower rollers. An advantage of this design is that cutting apparatus **1200** may be used to cut a pipe in half without the cutting tool contacting any of the lower rollers.

The lower rollers and the upper rollers may be mounted and optionally driven by any mechanism known in the machining arts. Returning to FIGS. 2 and 4, each of lower rollers **1330a-d** and **1332a-d** are mounted on base **1005** using a bearing or bushing **1334** on each end of each roller, allowing the rollers to rotate about their longitudinal axes. Each lower roller **1330a-d** and **1332a-d** also has at least one associated sprocket **1335a-d** and **1337a-d**. One or more

chains **1339** allow the lower rollers to be driven by motor **1300** via a sprocket and chain drive. A separate drive shaft **1310** may be provided in base **1005** so that all lower rollers are synchronously driven.

First lower rollers **1330a-d** and second lower rollers **1332a-d** are preferably made from (or provided with an outer surface comprising) a material that has a relatively high coefficient of friction with the outer surface of a pipe to be cut, so that a pipe can be rotated by lower rollers with minimal slippage. For example, where tool **1000** is to be used to cut PVC or CPVC pipes, the outer surface of driven rollers, which are preferably the lower rollers **1330a-d**, **1332a-d** may be made of or comprise a material having a sufficient coefficient of friction to cause the pipe to rotate. The material may be one or more of a polyurethane, silicone, rubber or the like. In some embodiments, lower rollers **1330a-d**, **1332a-d** may comprise a layer of polyurethane, silicone, rubber or the like applied to an aluminum cylinder, for example, by over molding. The outer surface of rollers that are not driven, which are preferably the upper rollers, may be made of or comprise any material in the material handling arts such as a metal or they may be made of or comprise the same material as the driven rollers.

Preferably, first lower rollers **1330a-d** and second lower rollers **1332a-d** each have the same outer diameter, and as noted above are preferably rotated at a constant speed. As will be appreciated, this configuration results in the lower rollers rotating a pipe to be cut at a constant surface speed, regardless of the diameter of the pipe being rotated. That is, while a smaller diameter pipe being supported and rotated (e.g. by second lower rollers **1332a-d**) may be rotated at a higher number of revolutions per minute (RPM) as compared with a larger diameter pipe being supported and rotated (e.g. by first lower rollers **1330a-d**), since the surface speed of each lower roller is the same, the surface speed of any pipe being rotated by the lower rollers will be the same (assuming no slippage between the lower rollers and the pipe being rotated). It will be appreciated that first lower rollers **1330a-d** and second lower rollers **1332a-d** may rotate at different speeds and/or the rate of rotation may be adjustable.

Looking at FIG. 2, upper frame **1100** preferably includes a handle **1105**, which is used to move upper frame **1100** relative to base **1005**. Biasing member **1160** may be provided to bias upper frame **1100** towards an open position, as shown in FIG. 1. Handle **1105** may be connected to frame members **1125**, which also support a pair of upper rollers **1130a-b** and a cutting apparatus, referred to generally as **1200**.

Unlike lower rollers **1330a-d** and **1332a-d**, upper rollers **1130a-b** are preferably not driven, and are instead free to rotate about shaft **1205** (see FIG. 5). In use, when a pipe is supported by first lower rollers **1330a-d** or second lower rollers **1332a-d**, upper frame may be moved towards base **1005** until upper rollers **1130a-b** contact the outer surface of the pipe, effectively clamping the pipe between upper rollers **1130a-b** and first lower rollers **1330a-d** (for larger diameter pipes) (an upper clamping position) or second lower rollers **1332a-d** (for smaller diameter pipes) (a lower clamping position). Once a pipe to be cut has been clamped between the upper and lower rollers, engaging motor **1300** (e.g. using switch **1120**) causes the lower rollers to rotate the pipe to be cut. This will also cause the upper rollers, if they are not driven, to rotate.

It will be appreciated that while the term "rollers" has been used, that any member that permits a pipe to be rotatably supported in tool **1000**, or to be rotated while

supported in tool **1000**, may be used. For example, a belt may be provided that extends between two rollers, at least one of which is driven. Accordingly the belt may be fashioned similar to a conveyor belt. The belt may be positioned to engage and drive the pipe so as to cause the pipe to rotate while supported by non-driven rollers.

A single set of upper rollers is exemplified. The single set may accommodate pipes of any diameter. However, it will be appreciated that more than one set of upper rollers may be provided, each selected for use with different sizes of pipe.

Upper rollers **1130a-b** are preferably made of a wear-resistant material, such as steel or aluminum, as the diameter of these rollers provides a fixed reference diameter for a depth of one or more tool bits of cutting apparatus **1200** engaging a pipe to be cut, as will be discussed subsequently. These rollers may be made from or may be coated with a material that has a relatively high coefficient of friction.

A lever **1110** may also be provided to allow cutting apparatus **1200** to be rotated relative to frame members **1125**. It will be appreciated that cutting apparatus may be manually moveable as exemplified or it may be automatically energized and moved when upper frame **1100** is moved to a clamping position.

A gripping surface **1115** may be provided on lever **1110**, along with an optional switch **1120** for selectively actuating motor **1300**. Alternatively, it will be appreciated that motor **1300** may be automatically energized when frame member **1125** is moved to a clamping position.

As exemplified in FIG. 5, cutting apparatus **1200** and upper rollers **1130a-b** are mounted on shaft **1205**, which is supported by upper frame **1100**. Upper rollers **1130a-b** may be mounted on one or more bearings **1132** on each end of each roller, allowing the rollers to rotate about shaft **1205**. Preferably, bearings **1132** allow for axial displacement of shaft **1205** relative to upper rollers **1130a-b** when reorienting cutting apparatus **1200**, as will be discussed further subsequently. Bearings **1132** may be needle bearings.

As exemplified in FIG. 6, cutting apparatus **1200** may be configured to chamfer, groove, and cut a pipe. The machining operations may be conducted in any order. Preferably, the chamfering and grooving are conducted before the pipe is cut.

As exemplified, cutting apparatus **1200** includes a single cutter hub **1210** mounted on shaft **1205** which is adapted to chamfer, groove, and cut the pipe. Accordingly, cutter hub **1210** may support a number of tool bits, including: one or more cutting tool bits **1220** and **1225**; one or more chamfering tool bits **1230a**, **1230b**, and **1235a**, **1235b**; and one or more grooving tool bits **1240a**, **1240b**, and **1245a**, **1245b**. In addition to slots in which the tool bits are inserted, a plurality of holes **1215** are provided to allow set screws or other mechanical fasteners to be used to secure the tool bits to cutter hub **1210**. If provided, the additional cutting, chamfering, and cutting tools bits may be configured for cutting pipes having a different diameter.

Turning to FIG. 7, in some embodiments a first set of tool bits **1220**, **1230a-b**, and **1240a-b** may be provided on one side of cutter hub **1210**, while a second set of tool bits **1225**, **1235a-b**, and **1245a-b** may be provided on the other side of cutter hub **1210**. As will be discussed subsequently, the first set of tool bits may be used when machining pipes supported in the first set of lower rollers, while the second set of tool bits may be used when machining pipes supported in the second set of lower rollers.

It will be appreciated that, in alternate embodiments, more than one cutting hub **1210** may be provided. For example, a

cutting hub may be provided for chamfering a pipe, a cutting hub may be provided for grooving a pipe, and a cutting hub may be provided for cutting a pipe. Alternatively, or in addition, a cutting hub may be provided for machining pipes supported in the first set of lower rollers, while another cutting hub may be used when machining pipes supported in the second set of lower rollers.

In some embodiments, cutter hub **1210** or the cutting tools may be moveable. For example, in some embodiments, cutter hub **1210** may rotate or vibrate so as to cut a pipe. In such a case, the pipe may or may not rotate while in the tool **1000**. Accordingly, the rollers may be configured to non-rotatably hold a pipe.

Cutter hub **1210** may be non-rotatably mounted on shaft **1205** using any mechanism known in the machining arts, such as welding, set screws, a key or the like. As exemplified in FIGS. 8 and 9, cutter hub **1210** may be mounted on shaft **1205** using one or more T-shaped key members **1250a-b**. More specifically, a flange **1252** of each key member **1250a-b** may extend into one or more slots **1207** in shaft **1205**, preventing cutter hub **1210** from rotating about shaft **1205**, while allowing cutter hub **1210** to be axially displaced relative to shaft **1205** when reorienting cutting apparatus **1200**, as will be discussed subsequently.

As shown in FIG. 10, cutting tool bit **1220** may comprise cutting surface **1222** for cutting a pipe, and notch **1224** for securing cutting tool bit **1220** to cutter hub **1210**. Chamfering tool bit **1230** may comprise chamfering surface **1232** for chamfering a pipe, and notch **1234** for securing chamfering tool bit **1230** to cutter hub **1210**. Grooving tool bit **1240** may comprise grooving surface **1242** for grooving a pipe, and notch **1244** for securing grooving tool bit **1240** to cutter hub **1210**.

If additional cutting, chamfering, and/or cutting tools bits are provided, then the tool may be adjustable to so that alternate tools bits are engaged based on the size of the pipe that is used. For example, if one set of tool bits is provided for a pipe of a first diameter or range of diameters and another set of tool bits is provided for a pipe of a second diameter or range of diameters, then the cutting apparatus may be manipulatable to selectively present a particular set of tool bits for use. The tool bits may be manually selected or automatically selected, e.g. based on the clamping position of the upper frame **1100**.

For example, as exemplified in FIGS. 2 and 5, cutting hub may be rotatable so as to present a second set of tool bits to machine a pipe. A handle **1135** may be mounted on a first end **1203** of shaft **1205**. Handle **1135** allows a user to reorient cutting apparatus **1200** relative to upper frame **1100** between a first orientation (which may be referred to as a first position) in which the first set of cutting tools can be used to machine a pipe, and a second orientation (which may be referred to as a second position) in which the second set of cutting tools can be used to machine a pipe. For example, the first set of tool bits located on one side of cutting apparatus **1200** may be configured to engage relatively large diameter pipes, such as pipes supported by first lower rollers **1330**, while the second set of tool bits located on the other side of cutting apparatus **1200** may be configured to engage relatively small diameter pipes, such as pipes supported by second lower rollers **1332**.

As exemplified, handle **1135** allows shaft **1205** to be axially displaced relative to upper frame **1100** and lever coupling **1140**, so that a keyed surface **1209** of a second end of shaft **1205** is withdrawn from a corresponding slot **1145** in lever coupling **1140**, permitting shaft **1205** to be axially rotated relative to lever coupling **1140**. As noted above,



bearings 1132 allow shaft 1205 to be axially displaced relative to upper rollers 1130a-b, and key members 1250a-b and slots 1207 allow shaft 1205 to be axially displaced relative to cutter hub 1210.

Normally, engagement of keyed surface 1209 and corresponding slot 1145 allows shaft 1205 and cutting apparatus 1200 to be rotated relative to upper frame 1100 using lever 1110. But when keyed surface 1209 is withdrawn from corresponding slot 1145, handle 1135 can also be used to rotate shaft 1205 relative to lever coupling 1140. It will be appreciated that rotating shaft 1205 also rotates cutter hub 1210, as cutter hub 1210 is non-rotationally mounted to shaft 1205. Thus, by axially displacing and then rotating handle 1135, cutting apparatus 1200 can be repositioned (which may also be referred to as reoriented) relative to upper frame 1100.

Keyed surface 1209 and corresponding slot 1145 are preferably configured such that shaft 1205 can only be inserted into lever coupling 1145 in one of two positions, one for each set of tool bits. For example, shaft 1205 may need to be rotated approximately 180° relative to lever coupling 1145 before shaft 1205 can be re-inserted into lever coupling 1145. Additional positions may be provided if additional sets of tool bits are provided at differing angular positions around a cutting hub.

Preferably, a biasing member 1150 is provided to bias shaft 1205 towards lever coupling 1145. In some embodiments, keyed surface 1209 and/or corresponding slot 1145 may be configured to present a cam surface so that, absent a force applied to handle 1135, the force provided by biasing member 1150 will also cause shaft 1205 to rotate relative to lever coupling 1145 and return to a position where keyed surface 1209 is inserted in corresponding slot 1145.

Upper frame 1100 is moveably mounted to base 1005 using any mechanism known in the machining arts. As exemplified in FIGS. 2, 11, and 12, upper frame 1100 may be moveably mounted to base 1005, such as by using pairs of opposing front slots 1062 and 1072, and rear slots 1064 and 1074, located in opposing side panels 1060 and 1070, respectively. As exemplified in at least FIG. 2, front slots 1062, 1072 are generally arcuate, while rear slots 1064, 1074 are substantially straight.

Upper frame may move downwardly in any direction, but it is preferred that the cutting hub travels generally vertically as the pipe is machined, and more preferably, as the upper frame is moved to the clamping position and then used to machine a pipe. As exemplified in FIGS. 13 to 15, in which washers 1068 have been removed to more clearly show the position of pins 1066 relative to slots 1062 and 1064, this arrangement results in shaft 1205 and cutting apparatus 1200 travelling in a substantially vertical plane 1260 (see FIG. 15) throughout its range of motion relative to base 1005. Preferably, this vertical plane is located substantially perpendicular to a horizontal plane 1360 defined by the axes of the first set of lower rollers, and also substantially perpendicular to a horizontal plane 1362 defined by the axes of the second set of lower rollers.

As shown in FIGS. 16 to 19, this results in cutting apparatus 1200 moving towards the longitudinal axis of a pipe to be cut, whether the pipe to be cut is supported by the first lower rollers, as shown in FIGS. 16 and 17, or whether the pipe to be cut is supported by the second lower rollers, as shown in FIGS. 18 and 19.

The use of pipe cutting apparatus 1000 will now be described with reference to FIGS. 20 to 24b. First, as shown in FIG. 20, a pipe to be cut may be positioned so that at least a portion of the pipe is supported by either the first set of

lower rollers or the second set of lower rollers. For clarity, safety shield 1080 is not shown.

In FIGS. 21a and 21b, upper frame 1100 has been moved from the open position shown in FIG. 20 to a position where upper rollers 1130 are in contact with the pipe to be cut. This position may be referred to as a clamping position. Note that, as exemplified, the upper rollers are in contact with the pipe to be cut but cutting apparatus 1200 is not in contact with the pipe in this position. It will be appreciated that cutting apparatus 1200 may engage the pipe before, during or after the upper rollers are brought into contact with the pipe and the upper frame is moved to a clamping position.

In FIGS. 22a and 22b, motor 1300, which in this embodiment is manually actuatable, has been actuated to rotate the lower rollers (thereby rotating the pipe to be cut due to the pipe engaging the upper and the lower rollers), and lever 1110 has been moved from the neutral position shown in FIGS. 21a and 21b to a position where shaft 1205 and cutting apparatus 1200 have been rotated, and chamfering tool bits 1230a-b mounted on cutter hub 1210 have been brought into engagement with the pipe and have lathed out a portion of the pipe to provide a pair of chamfered surfaces.

In FIGS. 23a and 23b, lever 1110 has been moved from the position shown in FIGS. 22a and 22b to a position where shaft 1205 and cutting apparatus 1200 have been rotated further downwardly, and grooving tool bits 1240a-b mounted on cutter hub 1210 have been brought into engagement with the pipe and have lathed out a portion of the pipe to provide a pair of grooves in the pipe.

In FIGS. 24a and 24b, lever 1110 has been moved from the position shown in FIGS. 23a and 23b to a position where shaft 1205 and cutting apparatus 1200 have been rotated still further downwardly, and cutting tool bit 1220 mounted on cutter hub 1210 has been brought into engagement with the pipe and cut the pipe into two sections, with an end of each of the cut sections having been chamfered and grooved, as discussed above.

While in the illustrated embodiment, the tool bits are arranged on cutter hub 1210 in a staggered manner, so that in use chamfering tool bits 1230a-b engage the pipe first, followed by grooving tool bits 1240a-b, followed by cutting tool bit 1220, it will be appreciated that the tool bits may be arranged on cutter hub 1210 so that a pipe is lathed and cut in a different order. For example, the grooving, chamfering, and cutting tool bits may be arranged on cutter hub 1210 to sequentially groove, chamfer, and cut the pipe, or they may be arranged on cutter hub 1210 to sequentially chamfer, groove, and then cut the pipe.

Preferably, each machining operation is completed or substantially completed before the next machining operation commences. An advantage of this design is that a smaller and/or lighter motor may be used. For example, the peak load placed on the motor by completing the machining operations sequentially is lower than the peak load if the machining operations were to occur simultaneously, and therefore a motor having a lower rated power output may be used. As it may be desirable for tool 1000 to be moved close to a position at which the pipes are to be joined, reducing the weight of the tool 1000 increases its portability.

It will also be appreciated that there may be an overlap between the chamfering, grooving, and cutting operations, and that while the respective tool bits may engage an outer surface of the pipe in a sequential manner, one or more of the operation may begin before a preceding operation has been completed. For example, grooving tool bits 1240a-b may be arranged on cutter hub 1210 so that they engage the pipe and start to groove the pipe before chamfering tool bits 1230a-b

have completed removing the material to form the chamfered surface on the pipe (e.g. before chamfering tool bits **1230a-b** have reached their maximum tooling depth). Similarly, cutting tool bit **1220** may be arranged on cutter hub **1210** so that it engages the pipe and start to cut the pipe before grooving tool bits **1240a-b** have completed grooving the pipe.

In other embodiments, the grooving and chamfering tool bits may be arranged on cutter hub **1210** so that the chamfering tool bits **1230a-b** and the grooving tool bits **1240a-b** contemporaneously groove and chamfer the pipe, with the cutting member arranged to subsequently cut the pipe. Alternatively, the grooving, chamfering, and cutting tool bits may be arranged on cutter hub **1210** to contemporaneously groove, chamfer, and cut the pipe.

FIG. **25** illustrates an end of a pipe cut using cutting tool **1000**, showing annular groove **115** and chamfered surface **110**. It will be appreciated that the depth of groove **115** is dependent on the cutting depth of grooving tool bit **1240**, being the difference between the radial distance of grooving surface **1242** from the longitudinal axis of cutter hub **1210**, and the radius of upper roller **1130**. A deeper groove will enable additional cement to be injected. It will be appreciated that if the abutting surface to which the pipe is to be joined also has a groove, a shallower groove may be utilized. It will be appreciated that the radial distance of grooving surface **1242** may be adjustable or the tool bits may be replaceable so that tool bits having differing lengths may be used.

It will also be appreciated that the particular profile of groove **115** is dependent on the shape of grooving tool bit **1240** (and more specifically the profile of grooving surface **1242**). A wider groove will enable additional cement to be injected. It will be appreciated that the tool bits may be replaceable so that tool bits having differing grooving profiles may be used.

In some embodiments, grooving tool bit **1240** may be configured to provide a rough inner surface of the groove. An advantage of this option is that increased surface area is provided for the cement to adhere to. FIGS. **26a** and **26b** provide non-limiting examples of the types of groove profiles that may be lathed into a pipe using cutting tool **1000**.

Similarly, the depth and angle of chamfer **110** is dependent on the cutting depth and profile of chamfering tool bit **1230**, being the difference between the radial distance of chamfering surface **1232** from the longitudinal axis of cutter hub **1210**, and the radius of upper roller **1130**. In some embodiments, the chamfering member is configured to provide a chamfer of between  $0.5^\circ$  to  $10^\circ$ , preferably between  $1^\circ$  to  $5^\circ$ , and more preferably between  $2^\circ$  to  $4^\circ$ . It will be appreciated that the chamfering angle may be adjustable or the tool bits may be replaceable so that tool bits having differing chamfering angles may be used.

An advantage of chamfering the pipe is that, when a pipe is cut, the new end of the pipe is chamfered.

In some embodiments, tool **1000** may be used to chamfer, or groove and chamfer, the end of a pipe as manufactured. While the end of a pipe as manufactured may be chamfered, the degree of chamfering may vary within manufacturing tolerances. By chamfering the end of a pipe, the chamfer may be applied that is suitable for use with a hollow filling (e.g., the end of the pipe is machined so as to fit into a hollow fitting with a suitable or known spacing of the abutting surfaces).

In the illustrated embodiment of tool **1000**, by providing two chamfering tool bits and two grooving tool bits in each set of tool bits (i.e. chamfering tool bits **1230a-b** and

grooving tool bits **1240a-b**, and chamfering tool bits **1235a-b** and grooving tool bits **1245a-b**), apparatus **1000** is able to cut a pipe while providing chamfers and grooves on each cut end. In another embodiment (not shown), only one chamfering tool bit and one grooving tool bit is provided as part of each set of tool bits of a cutting apparatus **1200**, and as a result only one of the ends of a pipe is grooved and chamfered. Such an embodiment could also be used to lathe an end of a pipe to provide a chamfer and groove without cutting (or substantially shortening) the pipe end being lathed.

In embodiments where only one chamfering tool bit and one grooving tool bit is provided as part of cutting apparatus **1200**, upper frame **1100** may be repositionable relative to base **1005** between a first orientation in which the grooving tool bit is located closer to a first end of base **1005** than the cutting tool bit, and a second orientation in which the cutting tool bit is located closer to the first end of base **1005** than the grooving tool bit (e.g., the upper frame is rotatable about a vertical axis or the upper frame is removable from base **1005** and mountable once rotated  $180^\circ$  about a vertical axis. An advantage of this design is that the same tool may be used to treat opposite ends of a long length of pipe, e.g., a 10-15 foot length, without moving tool **1000** or rotating the pipe to present each end to the tool for machining. For example, a first end of a pipe may be grooved and chamfered (and optionally cut) with upper frame **1100** in the first orientation. The upper frame **1100** may then be repositioned to the second orientation and the pipe may then be slid so that the other end of the pipe is positioned at the location of the tool bits so that the second end of the pipe may be grooved, chamfered, and optionally cut without rotating the pipe about its longitudinal axis. This may be advantageous, for example, where tool **1000** is being used in a long, narrow workspace (such as a hallway) to lathe and/or cut lengths of pipe that are longer than width of the workspace.

Methods for Connecting Pipes

FIGS. **27** to **35** exemplify methods and apparatuses for connecting pipes. These methods and apparatuses may use pipes machined using tool **1000**. Alternatively, the methods and apparatuses may use parts of a piping system that are used as manufactured or which are prepared using alternate techniques.

The methods and apparatuses exemplified use an insertion fit, i.e., one end of one part of a piping system is inserted into an open end of another part of the piping system. For example, FIGS. **27** and **28** exemplify the use of a hollow fitting **600**. As shown therein an end of a first pipe **100** and an end of a second pipe **200** are positioned on opposed sides of hollow fitting **600**. Hollow fitting **600** has a first opening **660** in a first end **610** of the fitting for receiving an end of the first pipe **100**, and a second opening **670** in a second end **620** of the fitting for receiving an end of the second pipe **100**.

As shown, each end **610**, **620** is provided with an injection passage (**632** and **637**, respectively) that extends through the wall of the fitting. Each passage has an associated inlet **630** and **635**. It will be appreciated that each end **610**, **620** may have one or more passages **632**, **637**. Passages **632**, **637** may be pre-formed in hollow fitting **600**, such as during the manufacturing process. Alternatively, hollow fitting **600** may be manufactured without passages **632**, **637** and the passages may be formed (e.g. drilled) prior to or as part of the connection process.

Also as exemplified, an annular groove **115** has been provided on the outer surface of pipe **100**, and end **110** of pipe **100** has preferably been provided with a chamfer between an end face **105** and annular groove **115**. Similarly,

an annular groove 215 has been provided on the outer surface of pipe 200, and end 210 of pipe 200 has preferably been provided with a chamfer between an end face 205 and annular groove 215.

To connect the pipes and the hollow fitting 600, the ends 110, 210 of pipes 100, 200 are inserted into openings 660, 670 of fitting 600. Space is provided between the inner surface 665 of hollow fitting 600 and the outer surface of pipe end 110 for receipt of a pipe joining material. In order to form a complete seal, the pipe joining material must be received around the entire perimeter of the outer surface of pipe 100, 200. Accordingly, an annular band of pipe joining material is provided. The annular band need not have a constant width in the axial direction of pipe 100, 200. Optional grooves 115, 215 provide a location for the receipt of the pipe joining material so that an annular band of pipe joining material may be provided interior of the hollow fitting 600. Alternatively, or in addition, the pipe joining material may be provided in the gap or clearance between the inner surface 665 of hollow fitting 600 and the outer surface of pipe end 110. The clearance is preferably relatively small (e.g. between 1/16" and 1/4", preferably between 1/8" and 1/4").

As exemplified in FIG. 29, preformed passages 632, 637 are aligned with grooves 115, 215 that are provided on the outer surface of pipes 100, 200. Accordingly, it is preferred to provide a mechanism that permits a user to know when the passages are aligned with the grooves. Accordingly, the outer surface of a pipe 100, 200 may be marked, e.g., with an insertion line or a different color on the outer surface, to indicate when the pipe is inserted a predetermined distance such that the passages 632, 637 are aligned with grooves 115, 215. Alternatively, hollow fitting 600 and/or pipes 100, 200 may be configured such that an end of a pipe may be inserted only up to a predetermined distance into hollow fitting 600. This may assist in aligning one or more features (e.g. injection passages, grooves) of the fitting and/or the pipe end with each other. Therefore, a stop member may be provided inside hollow fitting 600. For example, as exemplified in FIGS. 28 and 29, hollow fitting 600 may comprise an interior ridge 640 that provides a first abutment surface 646 against which a pipe end inserted into first opening 660 will abut when inserted the predetermined distance and a second abutment surface 647 against which a pipe end inserted into second opening 670 will abut when inserted the predetermined distance.

Preferably, abutment surfaces 646, 647 do not have a greater inward radial extent than the inner surface of pipe 100, 200. Therefore, abutment surfaces 646, 647 will not extend into the flow path of fluid in the pipes 100, 200. Preferably, the inner radial extent of abutment surfaces 646, 647 are located proximate the inner surface of pipes 100, 200 so that the transition from pipe 100 to pipe 200 is relatively uninterrupted and thereby turbulence is not produced.

It will be appreciated that the outlet of passages 632, 637 are in flow communication with grooves 115, 215 when pipe 100, 200 is inserted in hollow member 600 such that a joining material injected into passages 632, 637 will be received in grooves 115, 215. Accordingly, while it is preferred that the outlet of passages 632, 637 faces the center of grooves 115, 215, passages 632, 637 may be off center from, and may be off-set from, grooves 115, 215.

It will be appreciated that the configuring the pipe and/or the hollow fitting so that it is known when a pipe is inserted a predetermined distance may be useful when passages 632, 637 are not pre-formed. For example, if passages 632, 637

are formed when pipe 100, 200 is inserted into hollow fitting, then knowing the location of groove 115, 215 with respect to hollow fitting 600 will enable a user (e.g. an installer such as a plumber or other tradesperson) to form the passages so that the passages are in flow communication with the grooves.

Chamfering pipe end 110, 210 may facilitate inserting pipe 100, 200 until end face 105, 205 abuts abutment surface 646, 647 whereby groove 115, 215 and injection passage 632, 637 are positioned such that outlet 633, 638 of injection passage 632, 637 is in fluid communication with groove 115, 215. It will be appreciated that if pipe 100, 200 and hollow fitting 600 are appropriately sized, then chamfering may not be required to insert pipe 100, 200 into hollow fitting 600.

It will be appreciated that by chamfering the end of pipe 100, 200, the clearance between the inner surface 665 of hollow fitting 600 and the outer surface of pipe end 110 may not be constant but may increase towards the open end of pipe 100, 200.

As exemplified in FIG. 30, after end 110 has been inserted into fitting 600, a pipe joining material 400 may be injected to join the pipe end and hollow fitting 600. In FIG. 30, end 110 has been inserted into fitting 600 so that outlet 633 of injection passage 632 is in fluid communication with groove 115, allowing a pipe joining material 400 to be injected into groove 115 via inlet 630 of injection passage 632. Similarly, after end 210 has been inserted into fitting 600 so that outlet 638 of injection passage 637 is in fluid communication with groove 215, pipe joining material 400 may be injected into groove 215 via inlet 635 of injection passage 637.

The pipe joining material, as discussed subsequently, may be selected based on the composition of the pipe and the hollow fitting that are to be joined. Preferably, the pipe joining material is made of a similar material to that of the pipe and the hollow fitting. Accordingly, once cured, the interstitial space or clearance between the pipe and the hollow fitting has a similar composition to that of the pipe and the hollow fitting. For example, if the pipe and hollow fitting are made of PVC or CPVC, then the pipe joining material may comprise from 1 to 95 wt % PVC and/or CPVC and from 15 to 95% polyamide, based on a total weight of the pipe joining material.

Pipe joining material may be injected in a fluid state, and may be injected at a temperature of from 60 to 200° C., or at a temperature of from 100 to 150° C. When injected at such temperatures, the pipe joining material may remain fluid until the interstitial space or clearance between the pipe and the hollow fitting is filled.

In some embodiments, pipe joining material 400 may be injected using a pipe sealing apparatus 2000, as discussed subsequently.

When injecting pipe joining material into groove 115 via injection passage 632, the gap between inner surface 665 and the outer surface of pipe end 110 may be sufficient (e.g., from 1/16" to 1/4", preferably from 1/16 to 1/8") to allow air to escape as pipe joining material is injected and fills groove 115, displacing the air from the groove. Alternatively, or in addition, one or more vent passages may be provided through the wall of fitting 600 to allow air to evacuate groove 115 as pipe joining material is injected. As exemplified in FIG. 31, a vent passage 650 may be provided adjacent injection passage 632. It will be appreciated that vent passage 650 may be provided an any angular distance around the outer surface of hollow fitting 600 from injection passage 632, 637.

In some embodiments, the pipe and/or the hollow fitting are configured to inhibit pipe joining material exiting vent

passage **650** until the interstitial space and/or groove is filled with pipe joining material. For example, vent passage may be filled with a blocking material that will flow when heated by pipe joining material (e.g., a wax). Therefore, pipe joining material may be injected until the interstitial space and/or groove are filled with pipe joining material at which time the heat of the pipe joining material has heated the blocking material to a sufficient extent that the blocking material can flow and permit pipe joining material to escape via the vent passage. Alternatively, or in addition, a barrier **150** (e.g. a bead of cured thermoplastic material) may be provided in groove **115** prior to the insertion of pipe end **110** into fitting **600**, and pipe **100** and fitting **600** may be aligned so that barrier **150** is disposed between vent passage **650** and injection passage **632**, and acts as a barrier to pipe joining material flowing directly to vent passage **650**. Instead, injected pipe joining material is directed to flow around groove **115** and exit through vent passage **650**. Accordingly, pipe joining material exiting vent passage **650** may provide an indication that groove **115** has been substantially filled with pipe joining material.

Also, the gap between inner surface **665** and the outer surface of pipe end **110** may be sufficient (e.g., from  $\frac{1}{16}$ " to  $\frac{1}{4}$ ", preferably from  $\frac{1}{16}$ " to  $\frac{1}{8}$ ") to prevent a significant quantity of pipe joining material from flowing out opening **660**, **670** of hollow fitting **600** at the location of the gap between inner surface **665** and the outer surface of pipe end **110**. Optionally, one or more seals (e.g. O-rings) may be provided on one or both sides of groove **115** to ensure injected pipe joining material is substantially confined to the annular cavity defined by groove **115** and inner surface **665**.

Alternately, or in addition, the viscosity of the pipe joining material may be adjusted to reduce or inhibit pipe joining material from flowing out of the interstitial space into which it is injected, such as by flowing out opening **660**, **670** of hollow fitting **600**. It will be appreciated that, typically, the gap between inner surface **665** and the outer surface of pipe end **110** will increase with an increase in the diameter of the pipe being joined. Therefore, in accordance with a method of this disclosure, a pipe joining material having a higher viscosity may be selected as the diameter of a pipe increase. Optionally, the colour of the pipe joining material may be colour coded based on the viscosity of the pipe joining material at application temperatures. For example, a pipe joining material having a viscosity of 12,000-14,000 cps at application temperature may be used when the gap is  $\frac{1}{4}$ "; a pipe joining material having a viscosity of 8,000-10,000 cps at application temperature may be used when the gap is  $\frac{3}{16}$ "; and, a pipe joining material having a viscosity of 4,000-5,000 cps at application temperature may be used when the gap is  $\frac{1}{8}$ ". Accordingly, the sticks of pipe joining material may be colour coded so that, depending upon the gap, an installer may select pipe joining material to reduce or inhibit leakage during application based on the diameter of the pipe or fitting being joined to a piping system.

In some embodiments, hollow fitting **600** may not be initially provided with injection passages **632** and **637**. Instead, injection passages **632**, **637** may be drilled through the wall of fitting **600**, either before or after one or more of pipe ends **110**, **210** have been inserted into fitting **600**.

In some embodiments, injection passages **632**, **637** and/or vent passages **650** may be drilled using a pipe sealing apparatus **2000**, as discussed subsequently.

As noted previously, in some embodiments fitting **600** may not be provided with an interior ridge. Such a fitting may be used, for example, when repairing a pipe that has

been installed as part of a piping system. As exemplified in FIGS. **32a** and **32b**, repairing a pipe **500** may comprise removing a section of the pipe to be repaired and leaving first and second spaced apart ends **510**, **520** of the pipe to be repaired in situ. A hollow fitting **700** may then be slid over each of the first and second spaced apart ends **510**, **520**. Without interior ridges, fittings **700** can be positioned (e.g. slid) over their respective pipe ends so that a replacement section of pipe **550** may be positioned between the first and second spaced apart ends of the pipe to be repaired, as exemplified in FIG. **32a**. Preferably, replacement section of pipe **550** is proximate the size of the gap between ends **510**, **520**. Alternatively, fittings **700** may be positioned (e.g. slid) over one or both ends of the replacement section of pipe **550** so that the replacement section of pipe **550** may be positioned between the first and second spaced apart ends. Once the replacement section of pipe is in position, the hollow fittings may be repositioned so that they each overlie an end of the replacement section of pipe and an end of the pipe to be repaired, as exemplified in FIG. **32b**.

While in FIGS. **27** to **32b**, the annular space or cavity into which pipe joining material may be injected was shown as being defined by an annular groove **115**, **215** in an outer surface of a pipe end, it will be appreciated that the cavity into which pipe joining material may be injected may be otherwise defined.

For example, turning to FIGS. **33a** to **33c**, **33a** exemplifies a pipe **100a** having groove **115a** inserted into a fitting **600a**. As with the embodiment of FIG. **29**, pipe joining material **400** may be injected into the annular region (which may also be referred to as an interstitial space) defined by groove **115a** and inner surface **665**.

Alternatively, as exemplified in FIG. **33b**, an inner groove **615** may be provided in inner surface **665** of fitting **600**, and an end **110b** of a pipe **100b** may not be provided with a groove on its outer surface. In such an embodiment, pipe joining material **400** may be injected into the annular region (or interstitial space) defined by inner groove **615** and the outer surface of pipe end **110b**.

Alternatively, as exemplified in FIG. **33c**, an inner groove **690** may be provided in inner surface **665** of fitting **600**, and an end **110c** of a pipe **100c** may be provided with a groove **190** on its outer surface. In such an embodiment, after end **110c** has been inserted into fitting **600** so that inner groove **690** and groove **190** are aligned, pipe joining material **400** may be injected into the annular region (or interstitial space) defined by inner groove **690** and groove **190**.

In some embodiments, pipe joining material **400** may be injected into an interstitial space between parts of a piping system (e.g. as shown in FIGS. **33a** to **33c**) using an injection tool that has an actuator to control the ejection of pipe joining material from the injection tool (such as a pipe sealing tool **2000**, as discussed subsequently). Accordingly, a user of the injection tool may position an outlet of the injection tool in (or adjacent to) an injection passage, and then actuate the actuator to eject pipe joining material from the tool into the interstitial space.

In some embodiments, the actuator of such an injection tool may be calibrated or otherwise configured so that each actuation of the actuator ejects a predetermined volume of pipe joining material. For example, if the actuator comprises a trigger, lever, or other movable member with a fixed range of motion or travel, a substantially similar volume of pipe joining material may be ejected from the injection tool each time the actuator is moved through its range of motion.

In some embodiments, the injection tool may be calibrated or otherwise configured so that the volume of pipe

joining material ejected for each actuation of the actuator is based on an estimated volume of an interstitial space between parts of a piping system. The interstitial space refers to the space between opposed facing surfaces of the parts to be connected and includes the volume of the groove if a groove is provided. For example, if pipes of one or more standard diameters are used, and grooves of a substantially uniform depth and width are provided, the volume of the interstitial space between parts to be joined may be estimated based on the diameter of the pipe. If the volume of the interstitial space is known (or can be estimated with a reasonable degree of accuracy), the injection tool may be calibrated or otherwise configured so that the volume of pipe joining material ejected for each actuation of the actuator is substantially equal to a known fraction of the volume of the interstitial space. In this way, a user of the injection tool may be able to actuate the actuator a certain number of times and be confident that the interstitial space has been filled with pipe joining material.

For example, if the actuator is calibrated to eject a volume of pipe joining material equal to (or slightly greater than) a third of the estimated volume of an interstitial space, a user may actuate the actuator three times and be confident that sufficient pipe joining material has been injected (i.e. that the interstitial space has been filled). Similarly, the actuator may be calibrated to eject a volume of pipe joining material equal to (or slightly greater than) half of the estimated volume of an interstitial space, and a user may safely assume that sufficient pipe joining material has been injected after actuating the actuator two times. Similarly, the actuator may be calibrated to eject a volume of pipe joining material equal to (or slightly greater than) the estimated volume of an interstitial space, and a user may safely assume that sufficient pipe joining material has been injected after actuating the actuator once.

It will also be appreciated that while only one annular space or cavity into which pipe joining material may be injected was provided in each of FIGS. 33a to 33b, two or more axially spaced apart grooves defining two or more cavities (into which pipe joining material may be injected, separately or together) may be provided on a pipe end and/or within a hollow fitting.

Also, while in FIGS. 27 to 32b the annular space or cavity into which pipe joining material may be injected was shown as being defined between a pipe end and a hollow fitting, it will be appreciated that the ends of two pipes may be joined without the use of a separate fitting.

For example, as exemplified in FIGS. 34 and 35, in some embodiments one of the ends of one of the pipes may be flared or otherwise shaped to receive an end of the other pipe, which may obviate the need for fitting 600.

For example, as exemplified in FIG. 34, an end 310 of a pipe 300 may be flared to provide an opening 360 in which an end 110 of a pipe 100 may be inserted.

Preferably, pipe end 310 and/or pipe end 110 is configured such that pipe 100 may be inserted up to (and preferably only up to) a predetermined distance into pipe 300. This may assist in aligning one or more features (e.g. injection passages, grooves) of the fitting and/or the pipe end with each other. For example, an inner tapered surface 345 of pipe 300 may act as an abutment surface for an end face 105 of pipe 100.

As exemplified in FIG. 35, end 110 of pipe 100 has been inserted into end 310 of pipe 300 until end face 105 abuts abutment surface 345, an injection passage 332 has been

drilled in end 310, and pipe joining material 400 has been injected into groove 115 via inlet 330 of injection passage 332.

While not shown, it will be appreciated that in alternative embodiments, an inner groove may be provided in inner surface 365 of pipe end 310, without providing a groove on pipe 100 (e.g. as per FIG. 33b), or an inner recess may be provided in inner surface 365 of pipe end 310 along with a recess on pipe 100 (e.g. as per FIG. 33c).

It will be appreciated that, in an alternate embodiment, hollow fitting 600 may be sized to be received in pipe 100, 200.

#### Pipe Sealing Tool

Reference is now made to FIGS. 36 to 47, which exemplify a pipe sealing tool 2000 (which may also be referred to as a pipe sealing gun) that may be used with any apparatus or method disclosed herein or may be used by itself.

Tool 2000 is utilized to inject pipe sealing material into the interstitial space between a pipe and a fitting and/or into a groove. Accordingly, as exemplified, tool 2000 comprises a pipe joining material section, referred to generally as 2100, for holding pipe joining material for injection into a cavity, and an actuator, referred to generally as 2200, drivably connected to the pipe joining material section for drawing pipe joining material from the pipe joining material section and out an injection or delivery nozzle of tool 2000.

Pipe joining material section 2100 is configured to hold or retain pipe joining material that is to be injected into a cavity. For example, pipe joining material section 2100 may comprise a cavity that receives pipe joining material and is adapted to eject the pipe joining material at a sufficient pressure such that the pipe joining material may be fill the required space to join to parts of a piping system together. If the pipe joining material is not fluid at ambient temperature, then the pipe joining material section 2100 may also prepare the pipe joining material for injection into a cavity, which may include conveying the pipe joining material within tool 2000 to a heating section in tool 2000 and/or heating the pipe joining material prior to injection.

Pipe joining material 400 may be supplied as a solid cylindrical tube or stick 2150. Accordingly, pipe joining material section 2100 may be configured to receive stick 2150 and heat the stick to produce a flowable pipe joining material that is ejected through nozzle 2110. Therefore, as exemplified in FIG. 41, pipe joining material section 2100 may comprise a delivery nozzle 2110, a heating section 2120, a transition section 2130, and an alignment section 2140.

Preferably, pipe joining material sticks 2150 are formed as elongated cylinders, and may be provided with engagement members, preferably female engagement members, such as a plurality of teeth or grooves or recesses 2155 for engagement with mating engagement members of actuator 2200, as will be discussed further subsequently. (As noted previously, pipe joining material may comprise from 1 to 95 wt % PVC and/or CPVC and from 15 to 95% polyamide, based on a total weight of the pipe joining material.)

Alignment section 2140 acts to receive and optionally to coaxially align and guide a stick 2150 of pipe joining material 400 into transition section 2130 and hot material section 2122. Accordingly, alignment section 2140 is configured to receive stick 2150. For example, tool 2000 may be configured to accept sticks 2150 via a pipe joining material receiving port 2001 aligned with pipe joining material section 2100. Accordingly, a user may slide a stick 2150 into alignment section 2140 as required. Alternatively, alignment

section **2140** may have an openable door and, when the door is opened, stick **2150** may be inserted into a chamber.

While alignment section **2140** is shown as a separate component, it will be appreciated that one or more components of housing **2005** may be configured to act as an alignment section for pipe joining material stick **2150**.

Optional transition section **2130** acts as a guide for pipe joining material stick **2150**, and/or as a thermal barrier between alignment section **2140** and a hot material section **2122**. Transition section **2130** is preferably made of a thermally insulating material that also has a low coefficient of friction with the pipe joining material when it is in either a liquid or solid state. In some embodiments, transition section **2130** is made of polytetrafluoroethylene (PTFE). A retaining band **2132** may be provided to secure transition section **2130** to hot material section **2122**.

Transition section **2130** may also be configured to secure pipe joining material section **2100** within tool housing **2005**. For example, transition section **2130** may be provided with a groove **2134** that engages with an interior wall **2106** of housing **2005**, so that a load applied to delivery nozzle **2110** along the longitudinal axis of pipe joining material section **2100** (such as when delivery nozzle **2110** is pressed against a surface of a pipe) is transferred to wall **2106**, restraining pipe joining material section **2100** within housing **2005**. As will be appreciated, pipe joining material section **2100** may additionally, or otherwise, be restrained against movement relative to housing **2005**. It will be appreciated that transition section **2130** may be part of alignment section **2140**.

Heating section **2120** is configured to heat the pipe joining material to a desired temperature for use and may be of any design known in the art. As exemplified, heating section **2120** may comprise a hot material section **2122**, which defines a chamber to contain the pipe joining material as it is heated, surrounded by a heater **2124**, such as a band heater. Accordingly, hot material section **2122** defines a chamber in which pipe joining material **400** may be melted or liquefied. It will be appreciated that the pipe joining material at the upstream end of hot material section **2122** (i.e. the portion adjacent transition section **2130**) may be solid and may fit sufficiently tightly so as to prevent liquefied pipe joining material flowing upstream to transition section **2130**.

Heating section **2120** may be controlled by any mechanism. For example, the heating element(s) in heating section **2120** may be actuated when pipe joining material is being advanced through the section, such as by the lever **2020**. Alternatively, the heating elements may be actuated to maintain the pipe joining material at a desired temperature or temperature range. Accordingly, heating element(s) in heating section **2120** may be operatively connected to control electronics **2300** and/or a power supply by wires (not shown). In some embodiments, heating section **2120** comprises a temperature sensor such as a thermocouple (not shown) to measure the temperature of the band heater, the temperature of the pipe joining material at one or more locations within heating section **2120**, and/or a temperature of the hot material section **2122**. The power supply may be one or more on-board batteries or power drawn from an external power supply, such as an external battery or an AC cord that is configured to plug into a household electrical outlet.

Delivery nozzle **2110** may be of any design for ejecting liquefied pipe joining material **400** from tool **2000**. As exemplified, delivery nozzle comprises a separate optional heat tip **2112** and nozzle **2114**. It will be appreciated that delivery nozzle **2110** may comprise a single component

acting as both nozzle and heat tip. If passages **632**, **637** are preformed, nozzle **2114** may be sized to be received therein. Alternatively, if tool **2000** is used to form the passages, nozzle **2114** may be sized to be received in the passages so formed.

As noted previously, an actuator may be provided to drivingly advance pipe joining material through pipe joining material section **2100**. Actuator **2200** may be of any design that is useable to cause pipe joining material **400** to pass through tool **2000**. Therefore, the design may vary based on the configuration of, e.g., the pipe joining material receiving chamber. For example, if the chamber holds liquid pipe joining material, actuator **2200** may be configured to constrict the chamber or pressurize the chamber to eject the liquid pipe joining material. If the pipe joining material is inserted into tool **2000** as a solid, then actuator **2200** may be configured to directly or indirectly interact with the solid pipe joining material. For example, actuator **2200** may actuate a motor that drives a member that moves the solid pipe joining material into heating section **2120**. Alternatively, actuator **2200** may directly interact with stick **2150** such as by having engagement members that are configured to engage and advance stick **2150**. Optionally, as exemplified, stick **2150** is provided with mating engagement members (e.g., recesses **2155**). For example, as exemplified in FIG. **43**, actuator **2200** may comprise lever **2020**, a pipe joining material engaging member **2210** having one or more pipe joining material engaging pawls **2212**, and an actuator sled **2220**. Actuator sled **2220** may be supported in a track **2013** in housing **2005**, or otherwise supported within tool **2000** such that actuator sled **2220** can be translated substantially parallel to a longitudinal axis of pipe joining material section **2100**.

As exemplified in FIGS. **44** and **45**, a cam surface **2023** of lever **2020** may engage a flange **2224** of actuator sled **2220** so that when lever **2020** is moved towards tool handle **2002**, a rotational movement of lever **2020** results in a linear motion of actuator sled **2220** and pipe joining material engaging member **2210**, generally parallel to pipe joining material section **2100**. Therefore, as actuator **2200** is depressed, the engagement of pawls **2212** into recesses **2155** causes stick **2150** to advance in the downstream direction.

As discussed above, in some embodiments actuator **2200** may be configured so that each time it is actuated, a substantially similar volume of pipe joining material is ejected from delivery nozzle **2110**. For example, tool **2000** may be configured such that each time lever **2020** is squeezed against handle **2002**, actuator sled **2220** is advanced the same distance, and the engagement of pawls **2212** and recesses **2155** cause stick **2150** to advance the same distance towards heating section **2120** and/or delivery nozzle **2110**. In this way, a substantially similar volume of pipe joining material **400** will be ejected in response to each actuation of actuator **2200**.

In some embodiments, an interlock **2230** may be provided to disengage the actuator from the stick **2150** or other actuation mechanism. As exemplified, interlock **2230** may reposition pipe joining material engaging member **2210** relative to actuator sled **2220** between an engaging position where the one or more pipe joining material engaging pawls **2212** engage with one or more teeth provided on pipe joining material stick **2150** (see e.g. FIGS. **44** and **45**), and a non-engaging position where the one or more pipe joining material engaging pawls **2212** do not engage with one or more teeth provided on pipe joining material stick **2150** (see e.g. FIG. **46**). As a result, when pipe joining material engaging member **2210** is in the engaging position, applying

a force to lever **2020** towards handle **2002** results in a force being applied to pipe joining material stick **2150** by pipe joining material engaging pawls **2212** to move the pipe joining material in the downstream direction, and when pipe joining material engaging member **2210** is in the non-engaging position, actuator sled **2220** and pipe joining material engaging member **2210** can be moved in the downstream direction towards alignment section **2140** without applying a force to pipe joining material stick **2150**.

For example, interlock **2230** may comprise a rotatable dial **2232** formed with—or connected to—a cam surface **2233** that interfaces with a rear end **2216** of pipe joining material engaging member **2210** such that by rotating dial **2232** in one direction, cam surface **2233** may drive pipe joining material engaging member **2210** away from actuator sled **2220** thereby repositioning pipe joining material engaging member **2210** to the non-engaging position. Similarly, by rotating dial **2232** in the other direction or further in the same direction, a biasing member (not shown) may drive pipe joining material engaging member **2210** towards actuator sled **2220** thereby repositioning pipe joining material engaging member **2210** to the engaging position.

Other interlock mechanisms may be used. For example, the interlock mechanism may be a member that inhibits lever **2020** being depressed, such as a guard or a pin that is inserted in front of lever **2020** as a physical barrier to inward movement of lever **2020**.

Optionally, tool **2000** may include a member to issue a signal when an amount of pipe joining material that is sufficient to fill a determined (or estimated) volume of a cavity into which pipe joining material is to be injected has been injected into the cavity. The member may be a pressure sensor, temperature sensor or volume analyzer.

For example, as exemplified in FIG. **45**, an electromagnetic transducer (such as a load cell) or other force sensor **2250** may be provided to measure a net force applied to lever **2020**, such as when the lever is being advanced towards handle **2002**. Accordingly, when pipe joining material engaging member **2210** is engaged with one or more recesses provided on pipe joining material stick **2150**, and a user squeezes lever **2020**, transducer **2250** may output (e.g. via cable **2253**) a signal indicative of the cavity being filled. For example, when the cavity is filled, the resistance to movement of pipe joining material stick **2150** forwardly through pipe joining material section **2100** will increase and force sensor **2250** may then cause a signal to issue (which may be audio and/or visual and/or tactile, such as a vibrator). This signal therefore indicates when the cavity is filled. In some embodiments, the signal may be proportional to the resistance provided to pipe joining material stick **2150** being advanced forwardly through pipe joining material section **2100** towards delivery nozzle **2110**. In this case, the signal level may change (e.g., increase) as the resistance of lever **2020** to movement increases thereby providing a warning as the cavity is filled.

Transducer **2250** is preferably located between first and second flanges **2222**, **2224** that extend from actuator sled **2220**. First transducer flange **2222** may be relatively thicker than second transducer flange, and/or otherwise shaped or constructed so that flange **2222** is more resistant to lateral force than flange **2224**. In this way, when cam surface **2022** engages second transducer flange **2224**, second transducer flange **2224** may be displaced towards first transducer flange **2222**, actuating transducer **2250**. This arrangement accounts for the relative movement of cam surface **2022** (travelling on the arcuate path of lever **2020**) and actuator sled **2220** (travelling in a linear path substantially parallel to pipe

joining material section **2100**) as lever **2020** is brought towards handle **2002** by allowing cam surface **2023** to move across a face of transducer flange **2224** while still actuating transducer **2250**.

Alternatively, or additionally, a pressure sensor (not shown) may be located elsewhere within pipe joining material section **2100** (e.g. within hot material section **2122**) and operable to measure the pressure of liquefied pipe joining material **400**. A signal representing an increase in pressure of liquefied pipe joining material to a predetermined level may be indicative that a cavity into which the pipe joining material is being injecting is full.

Alternatively, or additionally, a temperature sensor (not shown), such as an infra-red (IR) thermometer may be located on a front facing surface of the housing **2005** (e.g. in an aperture **2003**), and configured to measure a surface temperature of an object, such as a pipe or a housing, into which a liquefied pipe joining material is being injected by gun **2000**. A signal representing that the surface temperature of the object has reached a predetermined value may be indicative that a cavity into which the pipe joining material is being injecting is full.

Alternatively, or additionally, a volume analyzer (not shown) configured to determine a volume (or an estimated volume) of a cavity into which pipe joining material will be injected may be provided. For example, the volume analyzer may comprise a sensor (not shown), such as a camera mounted on a forward facing surface of housing **2005** (e.g. in an aperture **2003**), configured to determine a diameter of a pipe and to provide a signal to control electronics **2300** for determining, based on the pipe diameter, a volume of a cavity into which pipe joining material is to be injected. For example, for a pipe of a given diameter, a controller or the like may be programmed with the volume of pipe joining material required to fill a cavity when a particular hollow fitting **600** is utilized.

In embodiments where actuator **2200** is configured so that each time it is actuated, a substantially similar volume of pipe joining material is ejected from delivery nozzle **2110**, the volume analyzer and/or control electronics **2300** may be configured to display an indication to a user (e.g. via display screen **2350**) as to how many times actuator **2200** should be actuated to ensure the cavity into which pipe joining material is to be injected is filled with pipe joining material.

Where a volume analyzer is provided, a delivery analyser (not shown) may also be provided. The delivery analyser is configured to determine when an amount of pipe joining material sufficient to fill a determined (or estimated) volume of a cavity into which pipe joining material is to be injected. For example, a linear encoder may be provided to track the movement of a pipe joining material stick **2150** as it advances through pipe joining material section **2100**. Provided an average diameter of the pipe joining material section **2100** is known, a volume of pipe joining material ejected from delivery nozzle **2110** may then be determined based on the advancement of pipe joining material stick **2150**. As another example, a rotary encoder may be provided at the connection **2004** between lever **2020** and handle **2002**, and a linear advancement of pipe joining material stick **2150** may be determined based on the rotation of lever **2020**. A flow meter may alternatively be utilized.

As will be appreciated, a delivery analyzer may also be provided in embodiments without a volume analyzer. For example, a user may be able to select from one or more standard pipe diameters, using a dedicated switch (not shown), a user interface associated with display **2350**, or other means. Alternatively, the delivery analyzer may be

configured to determine when a default or other predetermined quantity of pipe joining material has been ejected from delivery nozzle **2110**.

Control electronics **2300** may be operatively coupled to some or all of the electronic sub-components of tool **2000**. For example, control electronics **2300** may be coupled to heater **2124** and/or one or more temperature sensors (not shown) in heating section **2120** to regulate the temperature of pipe joining material within hot material section **2122**. Control electronics **2300** may also be coupled to transducer **2250** and/or other sensors for determining when a cavity has been filled by pipe joining material ejected from delivery nozzle **2110**.

Control electronics **2300** may also be configured to perform calculations for one or more of the volume analyzer, delivery analyzer, or other components coupled to tool **2000**.

Control electronics **2300** may also be operatively coupled to one or more signaling members to convey information to a user of gun **2000** regarding the status of one or more monitored conditions. For example, a display screen **2350** may be provided to provide an indication that pipe joining material within pipe joining material section **2100** is at a suitable temperature to be ejected from delivery nozzle **2110**. Display screen **2350** may also provide an indication that the output from one or more sensors, such as force sensor **2250** to issue a signal to a user of tool **2000** when the output from the one or more sensors is indicative that a cavity into which pipe joining material is being ejected has been filled.

Display screen **2350** may be any suitable display device, such as, for example, a liquid crystal display (LCD), a segment display, an Organic LED (OLED) display, a light emitting diode (LED) display, or an electrophoretic display. Display screen **2350** may also be a touch screen display, capable of receiving input from a user.

Other signaling members may be provided as an alternative to, or in addition to, display screen **2350**. For example, an audio signalling member **2360** such as an electroacoustic transducer (or speaker) may be configured to provide an audible tone in response to a sensor detecting that a cavity has been filled, and/or when otherwise directed by control electronics **2300**. As another example, a vibrating member such as a vibratory electric motor **2370**, or other actuator, may be configured to provide haptic feedback to a user of tool **2000** when a sensor detects that a cavity has been filled, and/or when otherwise directed by control electronics **2300**. As yet another example, one or more indicator lights (such as LEDs) may be incorporated into tool **2000** and configured to illuminate, strobe, and/or change colour in response to a sensor detecting that a cavity has been filled, and/or when otherwise directed by control electronics **2300**. For example, one or more battery indicator lights (not shown) may be provided to convey information to a user regarding the status of a battery coupled to tool **2000**.

Control electronics **2300** may also comprise a data logging module (not shown) for recording data related to one or more sensors and/or operations of tool **2000**. For example, the data logging module may record data corresponding to a volume of pipe joining material ejected from delivery nozzle **2110**, which may be estimated using data collected from the delivery analyzer. The data logging module may be configured to record a volume of pipe joining material ejected during each actuation of lever **2020**, a total volume of pipe joining material ejected into each cavity (e.g. based on the volume of pipe joining material ejected between control electronics **2300** receiving signals from transducer **2250** or other sensor(s) indicative that a cavity into which

the pipe joining material is being injecting is full), a total volume of pipe joining material ejected (e.g. based on a number of pipe joining material sticks that pass through pipe joining material section **2100**), and/or a number of cavities that are filled (again, which may be based on a number of signals indicative that a cavity has been filled) and this information may be time stamped or otherwise tagged to provide an output, e.g., of the cavities filled per hour or per shift. The data logging module may also record data corresponding to a number of signals issued by the signaling member.

The data logging module may also record operational parameters one or more components of tool **2000**, such as temperature readings from heating section **2120**, electrical current draw by band heater **2124**, force data from force sensor **2250**, pressure data from a pressure sensor within pipe joining material section **2100**, temperature data from an IR thermometer, etc.

The data logging module may also include a timing module, and be configured to record data corresponding to the time(s) at which a volume of pipe joining material was ejected from the delivery nozzle, which may be an absolute time (e.g. 12:00 am on May 24), and/or a relative time (e.g. 20 minutes since the last time a volume of pipe joining material was ejected from the delivery nozzle). Time information may also be recorded for other operational parameters, such as when band heater **2124** was turned on and off.

In this way, the data logging module may be operable to record a detailed log of the use of the tool throughout a predetermined time period, such as a working day, work week, or throughout a particular piping system installation project.

Control electronics **2300** may be configured to display some or all of the logged data on display screen **2350**. Alternatively, or additionally, control electronics may comprise a communications module (not shown) configured to establish a communication channel between the data logging module and a computing device, such as a laptop computer, tablet computing device, mobile communication device, remote server, etc. The communication channel may be established by the communication module using any suitable wired or wireless protocol, and may be configured as a personal area network (PAN), a point-to-point network, or any other suitable network topology. Wired communication may be conducted in accordance with Universal Serial Bus (USB) standards, and tool **2000** may be provided with a Standard, Mini, or Micro USB port (not shown). Examples of wireless communication include standards developed by the Infrared Data Association (IrDA), Near Field Communication (NFC), and the 803.11 family of standards developed by the Institute of Electrical and Electronics Engineers (IEEE). In some embodiments, a relatively short-range wireless communications protocol such as Bluetooth® or Wireless USB may be used.

The communications module may be configured to transmit some or all of the recorded data to the computing device over the communication channel, so that data logged by tool **2000** may be reviewed, stored, and/or audited. For example, data logged by tool **2000** may be used to compare an amount of pipe joining material actually ejected by tool **2000** with a number of pipe joining material sticks requisitioned by a user of tool **2000** to confirm that the pipe joining material sticks provided to a user were actually used. The logged data may also be compared with an installation plan for a piping system being assembled, to confirm that the total number of



cavities actually filled using tool **2000** corresponds with the total number of cavities required to be filled to correctly install the piping system.

Returning to FIG. **40**, pipe connecting tool **2000** may comprise a drilling assembly **2400**. As shown in FIG. **42**, drilling assembly **2400** may comprise a drill chuck **2410**, which may be keyless, for supporting a drill bit **2405**. Chuck **2410** is shown with jaws or a collet **2414** and an outer sleeve **2412** for loosening or tightening the jaws about the drill bit. Set screw **2416** may be used to secure the chuck to the output shaft of a motor, such as electric motor **2440**. One or more bearings **2425** and/or mounting plates **2430** may also be provided.

Optionally, as exemplified in FIG. **36**, a drill guide **2460** may be provided to engage a surface to be drilled (such as the surface of a pipe fitting) to ensure drill bit **2405** only penetrates the object being drilled by a predetermined distance. For example, when drilling into a hollow fitting mounted on an end of a pipe, drill guide **2460** may allow drill bit **2405** to penetrate the hollow fitting **600**, but not penetrate or substantially penetrate the end of the pipe. It will be appreciated that different sized drill guides and/or drill bits may be provided with tool **2000**, depending on an expected thickness and/or outer curvature of the object (such as a hollow fitting) being drilled. Drill guide **2460** may be depth adjustable if fittings **600** or pipes of differing thicknesses are used.

Motor **2440** may be selectively actuated by bringing lever **2020** towards handle **2002** so that motor switch **2450** (see FIG. **38**) is engaged by a motor actuation flange **2214** of pipe joining material engaging member **2210** (as shown in FIG. **46**).

As noted previously, optional interlock **2230** may allow actuator **2200** to be selectively engaged with pipe joining material stick **2150** to advance the pipe joining material through pipe joining material section **2100**, for ejection from delivery nozzle **2110**. In some embodiments, interlock **2230** may be operable to alternately drivingly connect lever **2020** to actuate or cause the advancement of pipe joining material **400** and to actuate motor **2440**.

For example, when pipe joining material engaging member **2210** is in the engaging position, motor actuation flange **2214** may be positioned so that it will not actuate motor switch **2450** when lever **2020** is brought towards handle **2002**, and when pipe joining material engaging member **2210** is in the non-engaging position, motor actuation flange **2214** may be positioned so that it will actuate motor switch **2450** when lever **2020** is brought towards handle **2002**. In this way, interlock **2230** may be operable to select whether bringing lever **2020** towards handle **2002** will activate the drill motor or advance pipe joining material stick **2150** through pipe joining material section **2100**, for ejection from delivery nozzle **2110**.

It will be appreciated that interlock **2230** may also be configured to selectively position pipe joining material engaging member **2210** relative to actuator sled **2220** in a neutral position wherein neither motor switch **2450**, nor actuator **2200**, is engaged when lever **2020** is brought towards handle **2002**.

Returning to FIG. **36**, pipe joining material section **2100**, control electronics **2300**, and drilling assembly **2400** are preferably contained within a housing **2005**. In the illustrated embodiment, housing **2005** primarily comprises complimentary housing portions **2005a** and **2005b**. As exemplified in FIG. **37**, housing portions **2005a**, **2005b** may be secured to each other using screws or other mechanical fasteners inserted through fastener ports **2006** in housing

portion **2005b** to engage housing portion **2005b**. It will be appreciated that, in variant embodiments, housing **2005** may comprise more or fewer housing portions, and that the housing portions may be secured in any suitable fashion.

Housing **2005** may also be provided with a plurality of ventilation holes **2008a** in proximity to the heating section **2120**. Also, one or more ventilation holes or slots **2008b** may be provided in proximity to motor **2440**.

Housing **2005** may also be provided with apertures for one or more auxiliary switches, such as a main power switch **2009** (see FIG. **37**) for selectively connecting a power supply such as an external battery (not shown) or a main power supply, and/or a mute switch **2007** (see FIG. **36**) for selectively enabling or disabling speaker **2360** and/or other signalling member(s).

Housing **2005** may also be configured to accommodate one or more light sources (such as LEDs) on a front facing surface of gun **2000** (e.g. in an aperture **2003**), for illuminating a surface of an object to be drilled and/or into which pipe joining material is to be ejected.

Reference is now made to FIGS. **48** and **49**, which exemplify another example embodiment of a pipe sealing tool **3000**, which may also be referred to as a pipe sealing gun **3000**. Similar to tool **2000**, tool **3000** includes a pipe joining material section **3100**, an actuator **3200**, and a drill assembly **3400**. Components similar to those in tool **2000** have been similarly numbered, and will not be described further.

Tool **3000** comprises a separate trigger **3460** for activating drill assembly **3400**. As trigger **3460** is brought towards handle **3002**, trigger flange **3462** engages motor switch **3450** to selectively actuate drill motor **3440**. A master drill motor on/off switch **3464** may be provided to control whether squeezing trigger **3460** will actuate drill motor **3440**. For example, switch **3464** may be positioned or toggled so that switch **3450** is electrically coupled or decoupled from motor **3440** and/or a power supply supplying power to motor **3440** (not shown).

Actuator **3200** is similar to actuator **2200**, but pipe joining material engaging member **3210** is not configured to actuate motor **3440**. Interlock **3230** may be configured to reposition pipe joining material engaging member **3210** relative to actuator sled **3220** between an engaging position where the one or more pipe joining material engaging pawls **3212** can engage with one or more teeth provided on pipe joining material stick **2150**, and a non-engaging position where the one or more pipe joining material engaging pawls **3212** do not engage with one or more teeth provided on pipe joining material stick **2150**.

Pipe Joining Material

Various pipe joining materials are disclosed herein. These pipe joining materials may be used with the any of apparatuses and methods described herein. For example, the compositions may be used with any embodiment of the pipe sealing tool disclosed herein and/or with any method or apparatus for joining parts of parts of a piping system and/or for connecting parts of a piping system wherein a part has been prepared using any embodiment of the pipe cutting tool disclosed herein.

Preferably, the pipe joining material comprises a thermoplastic material and a bonding agent for the thermoplastic material. A thermoplastic material is any material that has a hard plastic form when cool and a liquid form when heated. PVC and CPVC are thermoplastic materials. Other thermoplastic materials, include, but are not limited to, acrylonitrile butadiene styrene (ABS), ethylene vinyl acetate (EVA) and polyethylene (PE). The thermoplastic material may be

selected based on the composition of the parts of a piping system that are to be joined, such as a pipe and a hollow fitting. For example, the pipe joining material may be made of a similar thermoplastic material to that of the pipe and the hollow fitting. Accordingly, if the pipe and hollow fitting are made of PVC or CPVC, then the pipe joining material preferably comprises PVC and/or CPVC.

The thermoplastic material may comprise 1-95% of the pipe joining material by weight, 15-95% of the pipe joining material by weight, 35-85% of the pipe joining material by weight, 50-75% of the pipe joining material by weight or 55-70% of the pipe joining material by weight. Optionally, the thermoplastic material may comprise over 50% or over 75% of the pipe joining material by weight.

The "bonding agent for the thermoplastic material" is any agent that functions to bond the thermoplastic material together. For example, the bonding agent may encapsulate the thermoplastic material thereby allowing bonding or cross-linking amongst the molecules of the bonding agent. In one embodiment, the bonding or cross-linking of the molecules of the bonding agent only occurs above a specific temperature. Preferably, bonding or cross-linking occurs at the temperature at which the pipe joining material is injected. The temperature at which the pipe joining material is injected is also referred to as the application temperature and is preferably 60 to 200° C. or 100 to 150° C.

The bonding agent for the thermoplastic material may be selected from the following group: polyamide, ethylene acrylate, EVA, polyurethane, polyester, polyolephin, polycaprolactone, soy protein and styrene block co-polymer. Preferably, the bonding agent is polyamide.

The bonding agent may comprise the rest of the pipe joining material. Accordingly, if no fillers or additives are provided, then the bonding agent may comprise 5-99% of the pipe joining material by weight, 5-85% of the pipe joining material by weight, 15-65% of the pipe joining material by weight, 25-50% of the pipe joining material by weight or 30-45% of the pipe joining material by weight.

The pipe joining material may further comprise a material that increases the flowability (e.g., reduce the viscosity at application temperature) of the material. For example, the pipe joining material may comprise a plasticizer such as alumisol or a wax such as a microcrystalline wax. Optionally, the pipe joining material includes 0-15%, 2-10%, 3-7% or 4-5% of a plasticizer by weight. It will be appreciated that a greater amount of plasticizer may be used when the pipe joining material is to be used for a larger diameter pipe so as to reduce the viscosity of the pipe joining material at application temperature.

The pipe joining material may further comprise an antioxidant. Examples of antioxidants include, but are not limited to, hindered phenols, phosphites, phosphates and hindered aromatic amines. Optionally, the pipe joining material includes 0-4% (i.e. up to 4%), preferably 0-2% of anti-oxidant by weight.

The pipe joining material may further comprise a conductive powder. Examples of conductive powders include, but are not limited to, carbon black, aluminum and silver. Optionally, the pipe joining material includes 0-10% (i.e., up to 10%), preferably 0-5% of conductive powder by weight.

At an ambient temperature, the pipe joining material may be in the form of a solid cylindrical tube or stick such that it can be received by pipe joining material section **2100**. Further, as described previously, the pipe joining material is preferably in the form of an elongated cylinder, and may be provided with engagement members, preferably female engagement members, such as a plurality of teeth or grooves

or recesses **2155** for engagement with mating engagement members of actuator **2200**. Upon heating the pipe joining material to a specified temperature (also referred to as the application temperature), the cylindrical tube or stick becomes fluid such that it can be injected into the interstitial space between parts of a piping system that are to be secured together. Preferably, the application temperature is 60 to 200° C. or 100 to 150° C. Ambient temperature (also described as room temperature) is optionally 15 to 25° C.

Various methods may be used to make the pipe joining material. For example, the pipe joining material can be formed by:

- (a) providing a thermoplastic material;
- (b) providing a bonding agent for the thermoplastic material;
- (c) mixing the thermoplastic material with the bonding agent to obtain a mixture;
- (d) optionally heating the mixture to a forming temperature and shaping the mixture at the forming temperature; and
- (e) optionally cooling the shaped mixture to a temperature below the forming temperature to obtain the pipe joining material.

The mixture of the thermoplastic material with the bonding agent is preferably a mechanical mixture. As used herein, the term "mechanical mixture" refers to a mixture where the chemical components are not chemically bound to each other. The mixture of the thermoplastic material with the bonding agent is preferably a mechanical mixture at an ambient temperature. It will be appreciated that the mechanical mixture may be obtained without heating (e.g., at ambient temperature). Alternately, the temperature may be increased to permit the thermoplastic material and the bonding agent, with any additional components, to be mixed. For example, one or both of the thermoplastic material and the bonding agent may be provided as a loose aggregate material (e.g. a powder) and mechanically mixed and subjected to pressure to provide a solid which may have a generally uniform distribution of the thermoplastic material and the bonding agent. In some embodiments, one of the thermoplastic material and the bonding agent may be encapsulated in the other. For example, the thermoplastic material may be encapsulated in the bonding agent.

After the mechanical mixture is obtained, or as part of forming the mechanical mixture, the mixture may be formed into any desired shape. The forming is preferable conducted at ambient temperatures. Example processes are as follows.

In one embodiment, a stick of pipe joining material may be formed by providing a thin film of one of the materials, preferably the bonding agent. The other ingredients, e.g., the thermoplastic, may be provided on an upper surface of the thin film. For example, the PVC may be provided or distributed on the upper surface of the bonding agent as an aggregate such as a powder. The thin film may then be rolled and optionally compressed to form a stick.

In another embodiment, isostatic pressing may be used. For example, the ingredients, which may be in the form of aggregate such as a powder, may be introduced into a mold. Preferably, the aggregates or powders are mixed before being introduced into the mold so as to form, e.g., a relatively uniform dispersion. The material may then be subjected to compression while in the mold so as to form a solid block, e.g., a stick, of pipe joining material.

Optionally, the forming may be conducted at elevated temperatures. The forming temperature is a temperature at which the pipe joining material may be formed into a specific shape, such as a cylindrical tube or stick that can be

received by pipe joining material section 2100. An advantage of using an elevated forming temperature is that the ingredients may be more malleable and easier to form into a desired shape. Optionally, the elevated temperature will be selected such that the bonding agent and the thermoplastic material remain in solid form (e.g., they remain in a plastic state). A forming temperature may be used in which the bonding agent and the thermoplastic material partially or fully liquefy. However, the temperature is preferably sufficiently low such that a fully miscible liquid is not formed.

If the pipe joining material is formed at an elevated temperature, the pipe forming material may then be cooled to a temperature below the forming temperature (for example, ambient temperature) where it may retain the shape in solid form. Preferably, the mixture is shaped into the form of a cylindrical tube or stick. Preferably, the mixture has sufficient mechanical strength at ambient temperature that engagement members that are optionally provided will be useable to drive the formed mixture into a heating chamber of a pipe sealing tool.

As described above, the pipe joining material is preferably solid at an ambient temperature and fluid at an appli-

cation temperature. Upon heating the pipe joining material to a specified temperature (also referred to as the application temperature), the cylindrical tube or stick becomes fluid such that it may be injected into the interstitial space. Preferably, the application temperature is higher than the forming temperature, optionally 60 to 200° C. or 100 to 150° C.

In one embodiment, the thermoplastic material and the bonding agent of the pipe joining material are at least partially miscible at the application temperature. Accordingly, when liquefied for application, at least a portion of the thermoplastic material may mix with the bonding agent.

The pipe joining material may also be formed by providing, in addition to the thermoplastic material and the bonding agent, a material that increases the flowability of the pipe joining material, an antioxidant and/or a conductive powder. Materials that increase the flowability of the pipe joining material, antioxidants and conductive powders useful in pipe joining materials have been described herein.

Table I shows the composition of various pipe joining materials tested and the lap shear strength that was obtained.

TABLE 1

Bonding Agent Lap Shear Test Data Analysis													
		0.5 C.			20 C.			40 C.			60 C.		
		Raw Pull Force		Raw Pull Force		Raw Pull Force		Raw Pull Force		Raw Pull Force		Raw Pull Force	
		Force	Mpa/mm2	Force	Mpa/mm2	Force	Mpa/mm2	Force	Mpa/mm2	Force	Mpa/mm2	Force	Mpa/mm2
		Kg	PSI	Kg	PSI	Kg	PSI	Kg	PSI	Kg	PSI	Kg	PSI
Sample F	Test 1	49.3	3.0	434.9	92.0	5.6	811.6	53.5	3.3	472.0	31.0	1.9	273.5
42.5% polyamide	Test 2	76*	4.6	670.4	89.0	5.4	785.1	71.0	4.3	626.3	27.4	1.7	241.3
5% Alumisol	Test 3	59	3.6	520.5	98.0	6.0	864.5	68.5	4.2	604.3	28.9	1.8	254.5
42.5% PVC grey dust	AVG	61.4	3.7	541.9	93.0	5.7	820.4	64.3	3.9	567.5	29.1	1.8	256.4
Sample A	Test 1	94.5*	5.7	833.6	95.5	5.8	842.5	38.0	2.3	335.2	31.5	1.9	277.9
50% polyamide	Test 2	38	2.3	335.2	106.0	6.4	935.1	41.0	2.5	361.7	34.7	2.1	305.7
50% PVC grey dust	Test 3	44.3	2.7	390.8	110.0	6.7	970.4	54.0	3.3	476.4	23.4	1.4	206.4
	AVG	58.9	3.6	519.9	103.8	6.3	916.0	44.3	2.7	391.1	29.9	1.8	263.3
Sample Z	Test 1	45.2	2.7	398.7	96.0	5.8	846.9	40.0	2.4	352.9	21.1	1.3	185.7
50% polyamide	Test 2	37.5	2.3	330.8	107.0	6.5	943.9	66.5	4.0	586.6	29.1	1.8	256.3
50% PVC white	Test 3	42.8	2.6	377.6	106.0	6.4	935.1	46.0	2.8	405.3	24.4	1.5	215.2
	AVG	41.8	2.5	369.0	103.0	6.3	908.6	50.8	3.1	448.3	24.8	1.5	219.1
Sample 3789	Test 1	108.5	6.6	957.1	135.0	8.2	1190.9	69.0	4.2	608.7	40.3	2.5	355.5
100% polyamide	Test 2	105	6.4	926.3	133.0	8.1	1173.3	60.5	3.7	533.7	44.8	2.7	395.2
	Test 3	111	6.8	979.2	135.0	8.2	1190.9	69.5	4.2	613.1	39.5	2.4	348.0
	AVG	108.2	6.6	954.2	134.3	8.2	1185.0	66.3	4.0	585.2	41.5	2.5	366.2
Sample J	Test 1	49.5	3.0	436.7	82.0	5.0	723.4	51.0	3.1	449.9	42.8	2.6	377.6
35% polyamide	Test 2	59	3.6	520.5	70.0	4.3	617.5	50.0	3.0	441.1	19.8	1.2	174.2
7% Alumisol	Test 3	52.5	3.2	463.1	70.0	4.3	617.5	50.0	3.0	441.1	18.9	1.1	166.7
58% PVC grey dust	AVG	53.7	3.3	473.4	74.0	4.5	652.8	50.3	3.1	444.0	27.2	1.7	239.5
Sample L	Test 1	56.5	3.4	498.4	42.8	2.6	377.6	24.1	1.5	212.2	7.5	0.5	65.7
25% polyamide	Test 2	69	4.2	608.7	55.5	3.4	489.6	27.4	1.7	241.3	10.0	0.6	87.8
10% polyamide	Test 3	56.5	3.4	498.4	47.6	2.9	419.9	24.9	1.5	219.7	11.8	0.7	103.7
65% PVC grey dust	AVG	60.7	3.7	535.2	48.6	3.0	429.0	25.4	1.5	224.4	9.7	0.6	85.7
Sample O	Test 1	67.5	4.1	595.5	38.2	2.3	336.5	31.6	1.9	278.8	11.0	0.7	96.6
35% polyamide	Test 2	56.5	3.4	498.4	39.5	2.4	348.4	34.0	2.1	299.9	14.9	0.9	131.4
5% heat stabilizer	Test 3	64	3.9	564.6	71.5	4.3	630.7	23.1	1.4	203.3	14.4	0.9	127.0
60% PVC grey dust	AVG	62.7	3.8	552.8	49.7	3.0	438.6	29.6	1.8	260.7	13.4	0.8	118.4
Sample K	Test 1	0	0.0	0.0	0.0	0.0	0.0	0.0	0.0	0.0	0.0	0.0	0.0
25% polyamide	Test 2	0	0.0	0.0	0.0	0.0	0.0	0.0	0.0	0.0	0.0	0.0	0.0
7% Alumisol	Test 3	0	0.0	0.0	0.0	0.0	0.0	0.0	0.0	0.0	0.0	0.0	0.0
68% PVC grey dust	AVG	0.0	0.0	0.0	0.0	0.0	0.0	0.0	0.0	0.0	0.0	0.0	0.0
Sample P	Test 1	37.3	2.3	329.0	80.6	4.9	711.0	37.5	2.3	330.8	23.1	1.4	203.8
40% polyamide	Test 2	40.8	2.5	359.9	91.2	5.5	804.5	46.2	2.8	407.6	24.3	1.5	214.4
60% PVC grey dust	Test 3	47	2.9	414.6	82.3	5.0	726.0	42.0	2.6	370.5	22.6	1.4	199.4
	AVG	41.7	2.5	367.9	84.7	5.2	747.2	41.9	2.5	369.6	23.3	1.4	205.8
Sample N	Test 1	51.5	3.1	454.3	58.5*	3.6	516.1	78.5	4.8	692.5	54.6	3.3	481.7
40% polyamide	Test 2	57	3.5	502.8	80.5	4.9	710.1	106.0	6.4	935.1	49.4	3.0	435.8
60% Grey PVC dust	Test 3	75.5	4.6	666.0	81.5	5.0	719.0	88.5	5.4	780.7	49.6	3.0	437.5
	Test 4	89.5*	5.4	789.5	86.0	5.2	758.6	73.0	4.4	644.0	40.2	2.4	354.6

TABLE 1-continued

Bonding Agent Lap Shear Test Data Analysis												
	0.5 C.			20 C.			40 C.			60 C.		
	Raw Pull Force Kg	Mpa/mm2	PSI	Raw Pull Force Kg	Mpa/mm2	PSI	Raw Pull Force Kg	Mpa/mm2	PSI	Raw Pull Force Kg	Mpa/mm2	PSI
Test 5	56	3.4	494.0	96.5	5.9	851.3	77.0	4.7	679.3	47.8	2.9	421.7
Test 6	62	3.8	546.9	82.0	5.0	723.4	92.0	5.6	811.6	54.5	3.3	480.8
AVG	65.3	4.0	575.6	85.3	4.9	752.5	85.8	5.2	757.2	49.4	3.0	435.3

\*The bonding agent broke.

As used herein, the wording “and/or” is intended to represent an inclusive—or. That is, “X and/or Y” is intended to mean X or Y or both, for example. As a further example, “X, Y, and/or Z” is intended to mean X or Y or Z or any combination thereof.

While the above description describes features of example embodiments, it will be appreciated that some features and/or functions of the described embodiments are susceptible to modification without departing from the spirit and principles of operation of the described embodiments. For example, the various characteristics which are described by means of the represented embodiments or examples may be selectively combined with each other. Accordingly, what has been described above is intended to be illustrative of the claimed concept and non-limiting. It will be understood by persons skilled in the art that other variants and modifications may be made without departing from the scope of the invention as defined in the claims appended hereto. The scope of the claims should not be limited by the preferred embodiments and examples, but should be given the broadest interpretation consistent with the description as a whole.

The invention claimed is:

1. An apparatus for cutting a pipe, the apparatus comprising:

- (a) a base comprising a pipe support having at least one set of lower rollers;
- (b) an upper frame supporting a cutting apparatus and at least one upper roller, the upper frame being moveable relative to the base between an open position in which the pipe may be inserted between the at least one set of lower rollers and the at least one upper roller, and a clamping position in which the pipe is in contact with the at least one set of lower rollers and the at least one upper roller;
- (c) the cutting apparatus comprising a grooving member configured to provide an annular groove on an outer surface of the pipe, a cutting member configured to cut off a section of the pipe, and a chamfering member configured to provide a chamfer on the outer surface of the pipe between a location of the annular groove and a location of the cut in the pipe;
- (d) a drive motor drivingly connected to at least one roller of the at least one set of lower rollers; and,
- (e) an actuator operatively connected to the drive motor.

2. The apparatus of claim 1, wherein the grooving, chamfering, and cutting members are configured to sequentially groove, chamfer, and cut the pipe.

3. The apparatus of claim 2, wherein the grooving, chamfering, and cutting members are configured to sequentially chamfer, groove, and cut the pipe.

4. The apparatus of claim 2, wherein the grooving and chamfering members are configured to contemporaneously

15 groove and chamfer the pipe, and the cutting member is configured to subsequently cut the pipe.

5. The apparatus of claim 2, wherein the grooving, chamfering, and cutting members are configured to contemporaneously groove, chamfer, and cut the pipe.

6. The apparatus of claim 2, wherein the grooving member is configured to provide a rough inner surface of the annular groove.

7. The apparatus of claim 2, wherein the chamfering member is configured to provide a chamfer of between 0.5° to 10°, preferably between 1° to 5°, and more preferably between 2° to 4°.

8. The apparatus of claim 2, wherein the upper frame is repositionable relative to the base between a first orientation in which the grooving member is located closer to a first end of the base than the cutting member, and a second orientation in which the cutting member is located closer to the first end of the base than the grooving member, whereby a first and a second end of the pipe can be grooved, chamfered, and cut without rotating the pipe, relative to the base, about an axis transverse to a longitudinal axis of the pipe.

9. The apparatus of claim 2, wherein the grooving member comprises offset first and second grooving members located on either side of the cutting member, and wherein the chamfering member comprises offset first and second chamfering members located on either side of the cutting member such that each offset chamfering member is positioned between a grooving member and the cutting member.

10. The apparatus of claim 1 wherein the base comprises a support trough that is adapted to receive different sized pipes.

11. The apparatus of claim 10 wherein the at least one set of lower rollers comprises a first set of lower rollers configured to receive a pipe having a first diameter and a second set of lower rollers configured to receive a pipe having a second diameter that is larger than the first diameter.

12. The apparatus of claim 11 wherein the support trough is generally V-shaped with the first set of lower rollers is positioned in a lower portion of the trough and the second set of lower rollers is positioned above the first set of lower rollers.

13. The cutting tool of claim 12 wherein the drive motor is drivingly connected to the at least one set of lower rollers.

14. An apparatus for cutting a pipe, the apparatus comprising:

- (a) a base comprising a pipe support having at least one set of lower rollers;
- (b) an upper frame supporting a cutting apparatus and at least one upper roller, the upper frame being moveable relative to the base between an open position in which the pipe may be inserted between the at least one set of lower rollers and the at least one upper roller, and a

- clamping position in which the pipe is in contact with the at least one set of lower rollers and the at least one upper roller;
  - (c) the cutting apparatus comprising a grooving member configured to provide an annular groove on an outer surface of the pipe, a cutting member configured to cut the pipe, and a chamfering member configured to provide a chamfer on the outer surface of the pipe between a location of the annular groove and a location of the cut in the pipe;
  - (d) a drive motor drivingly connected to at least one roller of the at least one set of lower rollers; and,
  - (e) an actuator operatively connected to the drive motor wherein the upper frame is repositionable relative to the base between a first orientation in which the grooving member is located closer to a first end of the base than the cutting member, and a second orientation in which the cutting member is located closer to the first end of the base than the grooving member, whereby a first and a second end of the pipe can be grooved, chamfered, and cut without rotating the pipe, relative to the base, about an axis transverse to a longitudinal axis of the pipe.
15. An apparatus for cutting a pipe, the apparatus comprising:
- (a) a base comprising a pipe support having at least one set of lower rollers;

- (b) an upper frame supporting a cutting apparatus and at least one upper roller, the upper frame being moveable relative to the base between an open position in which the pipe may be inserted between the at least one set of lower rollers and the at least one upper roller, and a clamping position in which the pipe is in contact with the at least one set of lower rollers and the at least one upper roller;
- (c) the cutting apparatus comprising a grooving member configured to provide an annular groove on an outer surface of the pipe, a cutting member configured to cut the pipe, and a chamfering member configured to provide a chamfer on the outer surface of the pipe between a location of the annular groove and a location of the cut in the pipe;
- (d) a drive motor drivingly connected to at least one roller of the at least one set of lower rollers; and,
- (e) an actuator operatively connected to the drive motor wherein the grooving member comprises offset first and second grooving members located on either side of the cutting member, and wherein the chamfering member comprises offset first and second chamfering members located on either side of the cutting member such that each offset chamfering member is positioned between a grooving member and the cutting member.

\* \* \* \* \*