



US011076729B2

(12) **United States Patent**
Conrad

(10) **Patent No.:** **US 11,076,729 B2**
(45) **Date of Patent:** **Aug. 3, 2021**

(54) **UPRIGHT VACUUM CLEANER**

(71) Applicant: **Omachron Intellectual Property Inc.**,
Hampton (CA)

(72) Inventor: **Wayne Ernest Conrad**, Hampton (CA)

(73) Assignee: **Omachron Intellectual Property Inc.**,
Hampton (CA)

(*) Notice: Subject to any disclaimer, the term of this
patent is extended or adjusted under 35
U.S.C. 154(b) by 462 days.

(21) Appl. No.: **16/106,229**

(22) Filed: **Aug. 21, 2018**

(65) **Prior Publication Data**

US 2018/0353023 A1 Dec. 13, 2018

Related U.S. Application Data

(63) Continuation of application No. 15/046,895, filed on
Feb. 18, 2016, now Pat. No. 10,076,217, which is a
continuation of application No. 14/036,818, filed on
Sep. 25, 2013, now Pat. No. 9,301,662, which is a
continuation of application No. 13/396,918, filed on
Feb. 15, 2012, now Pat. No. 8,567,006, which is a
continuation of application No. 11/954,310, filed on
Dec. 12, 2007, now Pat. No. 8,166,607.

(60) Provisional application No. 60/869,586, filed on Dec.
12, 2006.

(51) **Int. Cl.**

A47L 5/22 (2006.01)
A47L 5/36 (2006.01)
A47L 5/28 (2006.01)
A47L 5/32 (2006.01)
A47L 9/16 (2006.01)

(52) **U.S. Cl.**

CPC *A47L 5/225* (2013.01); *A47L 5/365*
(2013.01); *A47L 5/28* (2013.01); *A47L 5/32*
(2013.01); *A47L 9/165* (2013.01); *A47L*
9/1608 (2013.01)

(58) **Field of Classification Search**

CPC *A47L 5/225*; *A47L 5/362*; *A47L 5/28*

USPC 15/353, 334, 331

See application file for complete search history.

(56) **References Cited**

U.S. PATENT DOCUMENTS

334,234 A 1/1886 Josz
1,759,947 A 5/1930 Lee
2,071,975 A 2/1937 Ruscoe
2,210,950 A 8/1940 Replogle
2,533,057 A 12/1950 Senne

(Continued)

FOREIGN PATENT DOCUMENTS

CA 1218962 A1 3/1987
CA 2551200 A1 2/2004

(Continued)

OTHER PUBLICATIONS

International Search Report and Written Opinion, received in con-
nection to International Patent Application No. PCT/CA2020/
050162, dated Apr. 15, 2020.

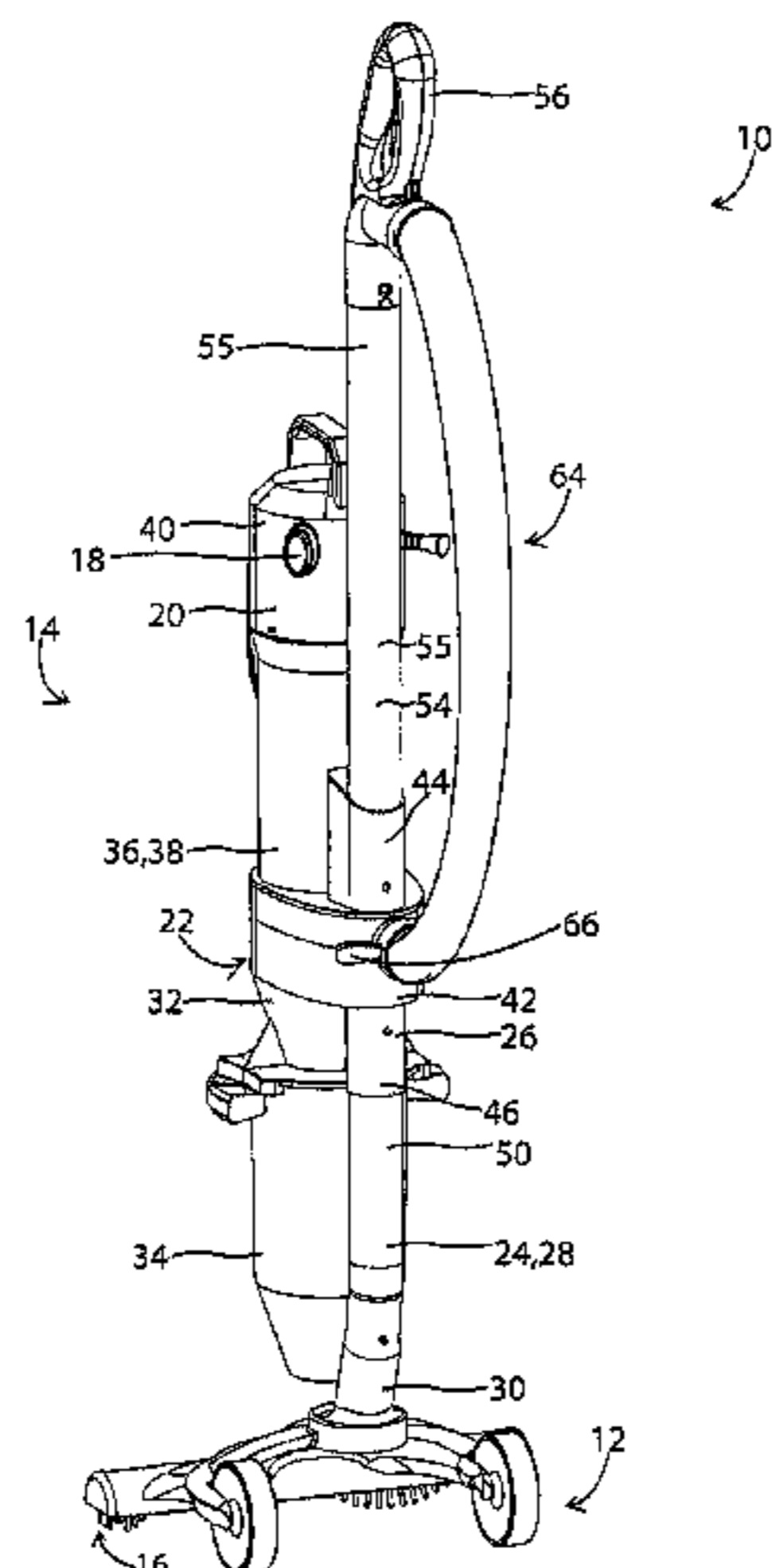
Primary Examiner — Bryan R Muller

(74) *Attorney, Agent, or Firm* — Philip C. Mendes Da
Costa; Bereskin & Parr LLP/S.E.N.C.R.L., s.r.l.

(57) **ABSTRACT**

An upright surface cleaning apparatus has a portable clean-
ing unit that is removably mounted to the support member.
The upright surface cleaning apparatus is operable in a floor
cleaning mode, in which the portable cleaning unit is
mounted to the support member, and in an above floor
cleaning mode, in which the portable cleaning unit, an above
floor cleaning wand and a hose are concurrently removed
from the support member.

12 Claims, 24 Drawing Sheets



(56)

References Cited

U.S. PATENT DOCUMENTS

2,542,634 A	2/1951	Davis et al.	6,779,229 B2	8/2004	Lee et al.
2,559,384 A	7/1951	Anderson, Jr.	6,782,583 B2	8/2004	Oh
2,621,753 A	12/1952	Urdahl	6,782,585 B1	8/2004	Conrad et al.
2,621,756 A	12/1952	Senne	6,807,708 B2	10/2004	Roney et al.
2,632,524 A	3/1953	Senne	6,833,015 B2	12/2004	Oh et al.
2,913,111 A	11/1959	Rogers	6,839,934 B2	1/2005	Houghton et al.
2,942,691 A	6/1960	Dillon	6,848,146 B2	2/2005	Wright et al.
2,993,223 A	7/1961	Krammes	6,874,197 B1	4/2005	Conrad et al.
3,015,122 A	1/1962	Cook	6,902,596 B2	6/2005	Conrad et al.
3,130,157 A	4/1964	Kelsall et al.	6,948,212 B2	9/2005	Oh et al.
3,200,568 A	8/1965	McNeil	6,961,975 B2	11/2005	Park et al.
3,310,828 A	3/1967	Clark et al.	7,014,671 B2	3/2006	Oh
3,320,727 A	5/1967	Farley et al.	7,131,165 B2	11/2006	Wright et al.
3,356,334 A	12/1967	Domer Scaramucci	7,140,068 B1	11/2006	Vander Baan et al.
3,457,744 A	7/1969	Bisbing	7,146,681 B2	12/2006	Wright et al.
3,530,649 A	9/1970	Porsch et al.	7,160,346 B2	1/2007	Park
3,582,616 A	6/1971	Wrob	7,188,388 B2	3/2007	Best et al.
3,822,533 A	7/1974	Dranje	7,222,393 B2	5/2007	Kaffenberger et al.
3,898,068 A	8/1975	McNeil	7,350,266 B2	4/2008	Park et al.
3,988,132 A	10/1976	Oranje	7,360,274 B2	4/2008	Park et al.
3,988,133 A	10/1976	Schady	7,377,007 B2	5/2008	Best
4,187,088 A	2/1980	Hodgson	7,377,008 B2	5/2008	Park et al.
4,236,903 A	12/1980	Malmsten	7,381,234 B2	6/2008	Oh
4,373,228 A	2/1983	Dyson	7,386,916 B2	6/2008	Bone
4,393,536 A	7/1983	Tapp	7,448,363 B1	11/2008	Rasmussen et al.
4,443,910 A	4/1984	Fitzwater	7,485,164 B2	2/2009	Jeong et al.
4,573,236 A	3/1986	Dyson	7,547,338 B2	6/2009	Kim et al.
4,635,315 A	1/1987	Kozak	7,581,286 B2	9/2009	Choi
4,826,515 A	5/1989	Dyson	7,594,296 B2	9/2009	Park
4,831,685 A	5/1989	Bosyj et al.	7,604,675 B2	10/2009	Makarov et al.
5,054,157 A	10/1991	Werner et al.	7,624,475 B2	12/2009	Choi
5,078,761 A	1/1992	Dyson	7,645,311 B2	1/2010	Oh et al.
5,129,125 A	7/1992	Gamou et al.	7,686,858 B2	3/2010	Oh
5,230,722 A	7/1993	Yonkers	7,882,592 B2	2/2011	Hwang et al.
5,287,591 A	2/1994	Rench et al.	7,887,612 B2	2/2011	Conrad
5,309,600 A	5/1994	Weaver et al.	7,922,794 B2	4/2011	Morphey
5,309,601 A	5/1994	Hampton et al.	7,934,286 B2	5/2011	Yoo et al.
5,524,321 A	6/1996	Weaver et al.	7,979,953 B2	7/2011	Yoo
5,715,566 A	2/1998	Weaver et al.	8,032,981 B2	10/2011	Yoo
5,836,047 A	11/1998	Lee et al.	8,032,983 B2	10/2011	Griffith et al.
5,842,254 A	12/1998	Lee	8,127,398 B2	3/2012	Conrad
5,858,038 A	1/1999	Dyson et al.	8,166,607 B2	5/2012	Conrad
6,058,559 A	5/2000	Yoshimi et al.	8,191,203 B2	6/2012	Yoo
6,070,291 A	6/2000	Bair et al.	8,192,515 B2	6/2012	Conrad
6,081,961 A	7/2000	Wang	8,240,003 B2	8/2012	Gammack et al.
6,094,775 A	8/2000	Behmer	8,359,705 B2	1/2013	Conrad
6,122,796 A	9/2000	Downham et al.	8,438,693 B2	5/2013	Fujiwara
6,210,469 B1	4/2001	Tokar	8,468,646 B2	6/2013	Yoo
6,221,134 B1	4/2001	Conrad et al.	8,484,799 B2	7/2013	Conrad
6,228,260 B1	5/2001	Conrad et al.	8,528,160 B2	9/2013	Conrad
6,231,645 B1	5/2001	Conrad et al.	8,567,006 B2	10/2013	Conrad
6,243,916 B1	6/2001	Embree et al.	8,769,767 B2	7/2014	Conrad
6,251,296 B1	6/2001	Conrad et al.	2002/0011053 A1	1/2002	Oh
6,256,832 B1	7/2001	Dyson	2002/0062531 A1	5/2002	Oh
6,289,553 B1	9/2001	Dyson	2002/0088079 A1	7/2002	Oh
6,295,692 B1	10/2001	Shideler	2002/0134059 A1	9/2002	Oh
6,317,920 B1	11/2001	Brickner et al.	2002/0162188 A1	11/2002	Harmen
6,334,234 B1	1/2002	Conrad et al.	2002/0178535 A1	12/2002	Oh et al.
6,374,453 B1	4/2002	Kim	2002/0178698 A1	12/2002	Oh et al.
6,406,505 B1	6/2002	Oh et al.	2002/0178699 A1	12/2002	Oh
6,440,197 B1	8/2002	Conrad et al.	2003/0046910 A1	3/2003	Lee et al.
6,463,622 B2	10/2002	Wright et al.	2003/0066273 A1	4/2003	Choi et al.
6,497,001 B2	12/2002	Di Nunzio et al.	2003/0131441 A1	7/2003	Murphy et al.
6,531,066 B1	3/2003	Saunders et al.	2003/0158238 A1	8/2003	Hale et al.
6,532,621 B2	3/2003	Stephens et al.	2003/0159411 A1	8/2003	Hansen et al.
6,553,612 B1	4/2003	Dyson et al.	2004/0010885 A1	1/2004	Hitzelberger et al.
6,560,818 B1	5/2003	Hasko	2004/0025285 A1	2/2004	McCormick et al.
6,574,831 B2	6/2003	Hunter et al.	2004/0060144 A1*	4/2004	Bowden A47L 5/32
6,581,239 B1	6/2003	Dyson et al.			15/334
6,599,338 B2	7/2003	Oh et al.	2004/0163201 A1	8/2004	Murphy et al.
6,623,539 B2	9/2003	Lee et al.	2004/0216263 A1*	11/2004	Best A47L 5/225
6,735,818 B2	5/2004	Hamada et al.			15/331
6,736,873 B2	5/2004	Conrad et al.	2005/0198769 A1	9/2005	Lee et al.
6,746,500 B1	6/2004	Park et al.	2005/0235454 A1	10/2005	Courtney
6,766,559 B2	7/2004	Roney et al.	2005/0252179 A1	11/2005	Oh et al.
			2006/0037172 A1	2/2006	Choi
			2006/0042206 A1	3/2006	Arnold et al.
			2006/0070205 A1*	4/2006	Fischer A47L 9/165
					15/334

(56)

References Cited

U.S. PATENT DOCUMENTS

2006/0080947 A1 4/2006 Lee et al.
 2006/0123590 A1 6/2006 Fester et al.
 2006/0137304 A1 6/2006 Jeong et al.
 2006/0137305 A1 6/2006 Jung
 2006/0137306 A1 6/2006 Jeong et al.
 2006/0137309 A1 6/2006 Jeong et al.
 2006/0137314 A1 6/2006 Conrad et al.
 2006/0156699 A1 7/2006 Kim
 2006/0162298 A1 7/2006 Oh et al.
 2006/0162299 A1 7/2006 North
 2006/0168922 A1 8/2006 Oh
 2006/0168923 A1 8/2006 Lee et al.
 2006/0207055 A1 9/2006 Ivarsson et al.
 2006/0207231 A1 9/2006 Arnold
 2006/0218741 A1 10/2006 Kang
 2006/0230715 A1* 10/2006 Oh B01D 45/14
 55/337
 2006/0230723 A1 10/2006 Kim et al.
 2006/0230724 A1 10/2006 Han et al.
 2006/0230726 A1 10/2006 Oh et al.
 2006/0236663 A1 10/2006 Oh
 2006/0278081 A1 12/2006 Han et al.
 2007/0012002 A1 1/2007 Oh et al.
 2007/0012003 A1 1/2007 Oh et al.
 2007/0039120 A1 2/2007 Choi
 2007/0067944 A1 3/2007 Kitamura et al.
 2007/0079473 A1 4/2007 Min et al.
 2007/0079584 A1 4/2007 Kim et al.
 2007/0079585 A1 4/2007 Oh et al.
 2007/0079587 A1 4/2007 Kim
 2007/0084161 A1 4/2007 Yoo
 2007/0095028 A1 5/2007 Kim et al.
 2007/0095029 A1 5/2007 Min et al.
 2007/0226947 A1 10/2007 Kang
 2007/0251048 A1 11/2007 Choi
 2007/0289085 A1 12/2007 Yoo
 2007/0289089 A1 12/2007 Yacobi
 2007/0289264 A1 12/2007 Oh
 2008/0047091 A1 2/2008 Nguyen
 2008/0083085 A1 4/2008 Genn
 2008/0134462 A1 6/2008 Jansen et al.
 2008/0148510 A1 6/2008 Yoo et al.
 2008/0172821 A1 7/2008 Kang et al.
 2008/0172995 A1 7/2008 Conrad
 2008/0178416 A1 7/2008 Conrad
 2008/0178420 A1 7/2008 Conrad
 2008/0196196 A1 8/2008 Conrad
 2008/0209666 A1 9/2008 Conrad
 2009/0031522 A1 2/2009 Yoo et al.
 2009/0044371 A1 2/2009 Yoo et al.
 2009/0144929 A1 6/2009 Yoo
 2010/0005611 A1 1/2010 Hong et al.
 2010/0043170 A1 2/2010 Ni
 2010/0071153 A1 3/2010 Genn
 2010/0095476 A1 4/2010 Kim et al.
 2010/0162515 A1 7/2010 Stephens
 2010/0175217 A1 7/2010 Conrad
 2010/0175219 A1 7/2010 Soen et al.
 2010/0229336 A1 9/2010 Conrad
 2010/0229338 A1 9/2010 Conrad
 2010/0242222 A1 9/2010 Conrad
 2011/0023262 A1 2/2011 Conrad
 2011/0219573 A1 9/2011 Conrad
 2011/0314629 A1 12/2011 Conrad
 2012/0000030 A1 1/2012 Conrad
 2012/0159734 A1 6/2012 Fujiwara
 2012/0222239 A1 9/2012 Conrad
 2012/0222245 A1 9/2012 Conrad

2012/0222262 A1 9/2012 Conrad
 2012/0272472 A1 11/2012 Conrad
 2013/0104335 A1 5/2013 Conrad
 2014/0082881 A1 3/2014 Conrad
 2014/0366310 A1 12/2014 Conrad

FOREIGN PATENT DOCUMENTS

CA 2423405 C 10/2006
 CA 2241644 C 12/2007
 CA 2675723 A1 6/2008
 CA 2436555 C 7/2008
 CA 2522159 C 12/2009
 CA 2658005 A1 9/2010
 CA 2658381 A1 9/2010
 CA 2658651 A1 9/2010
 CA 2659212 A1 9/2010
 CA 2674056 A1 9/2010
 CA 2674761 A1 9/2010
 CA 2678119 A1 9/2010
 CA 2755305 A1 9/2010
 CA 2755307 A1 9/2010
 CA 2 2674758 A1 1/2011
 CA 2495073 C 5/2011
 CA 2581799 C 8/2011
 CA 2730689 A1 9/2011
 CA 2574291 C 8/2013
 CA 2881824 A1 9/2013
 CA 2677530 C 1/2014
 CN 2524655 Y 12/2002
 CN 2534954 2/2003
 CN 2592103 Y 12/2003
 CN 1765283 A 5/2006
 CN 1806741 A 7/2006
 CN 201101488 Y 8/2008
 CN 101357051 A 2/2009
 CN 101631494 B 4/2012
 CN 202699035 U 1/2013
 DE 3734355 C2 6/1989
 EP 0489468 A1 6/1992
 EP 0887040 A1 12/1998
 EP 1674009 A2 6/2006
 EP 1771104 B1 9/2008
 EP 966912 B1 3/2010
 EP 2049000 B1 6/2011
 EP 2201875 B1 4/2013
 EP 1629758 B1 10/2013
 FR 2812531 B1 11/2004
 GB 2163703 B 1/1988
 GB 2365324 B 7/2002
 GB 2416296 1/2006
 GB 2458243 B 4/2012
 JP 2000140533 A 5/2000
 JP 2004344642 A 12/2004
 JP 200540246 A 2/2005
 JP 2005087508 A 4/2005
 JP 2010227287 A 10/2010
 WO 9619294 A1 6/1996
 WO 2004069021 A1 8/2004
 WO 2005089618 A2 9/2005
 WO 2006026414 A3 8/2007
 WO 2007104138 A1 9/2007
 WO 2007084699 A3 2/2008
 WO 2008017802 A1 2/2008
 WO 2008070966 A1 6/2008
 WO 2008070980 A1 6/2008
 WO 2009026709 A1 3/2009
 WO 2010102410 A1 9/2010
 WO 2010102411 A1 9/2010
 WO 2014131106 A1 9/2014

* cited by examiner

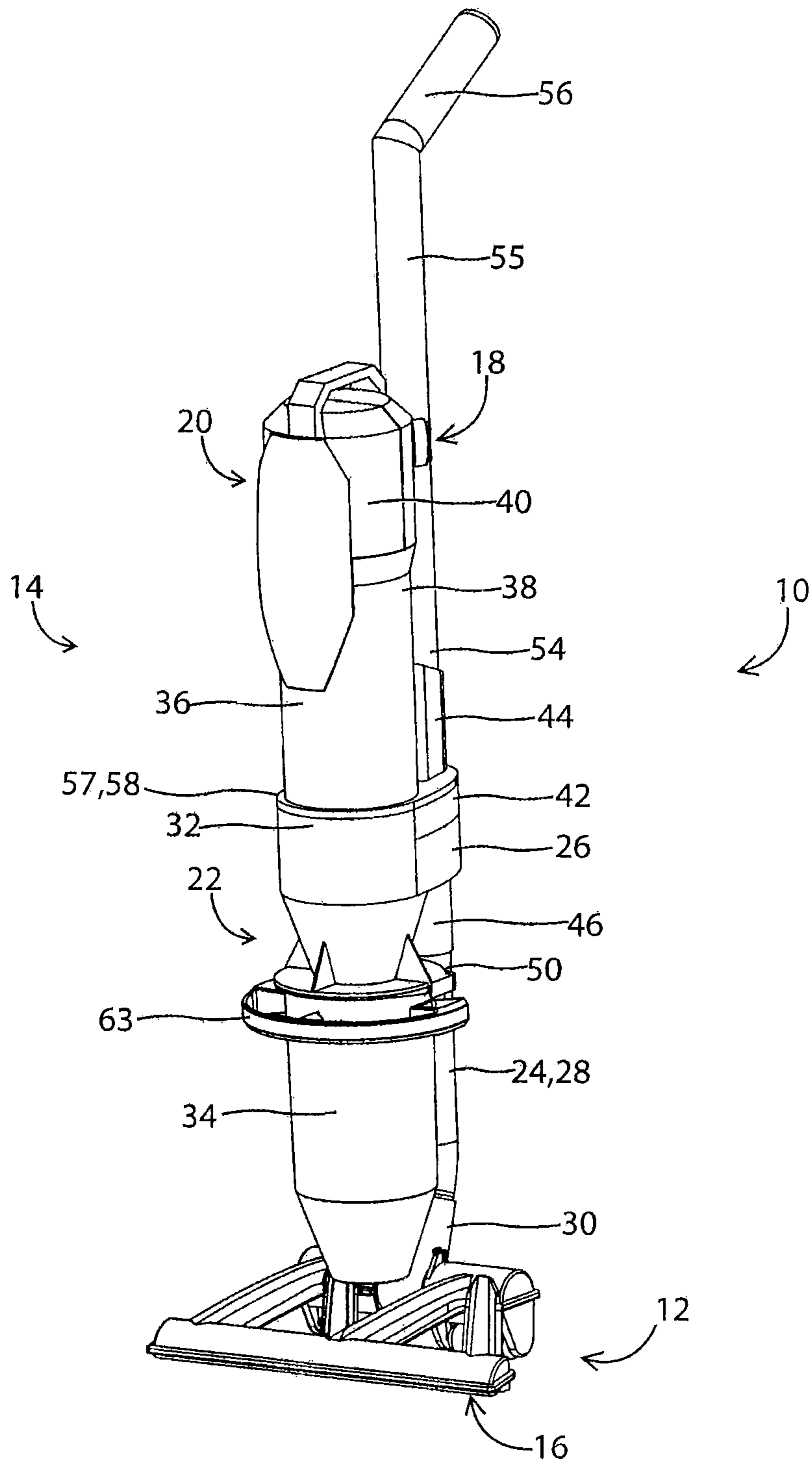


Fig. 1

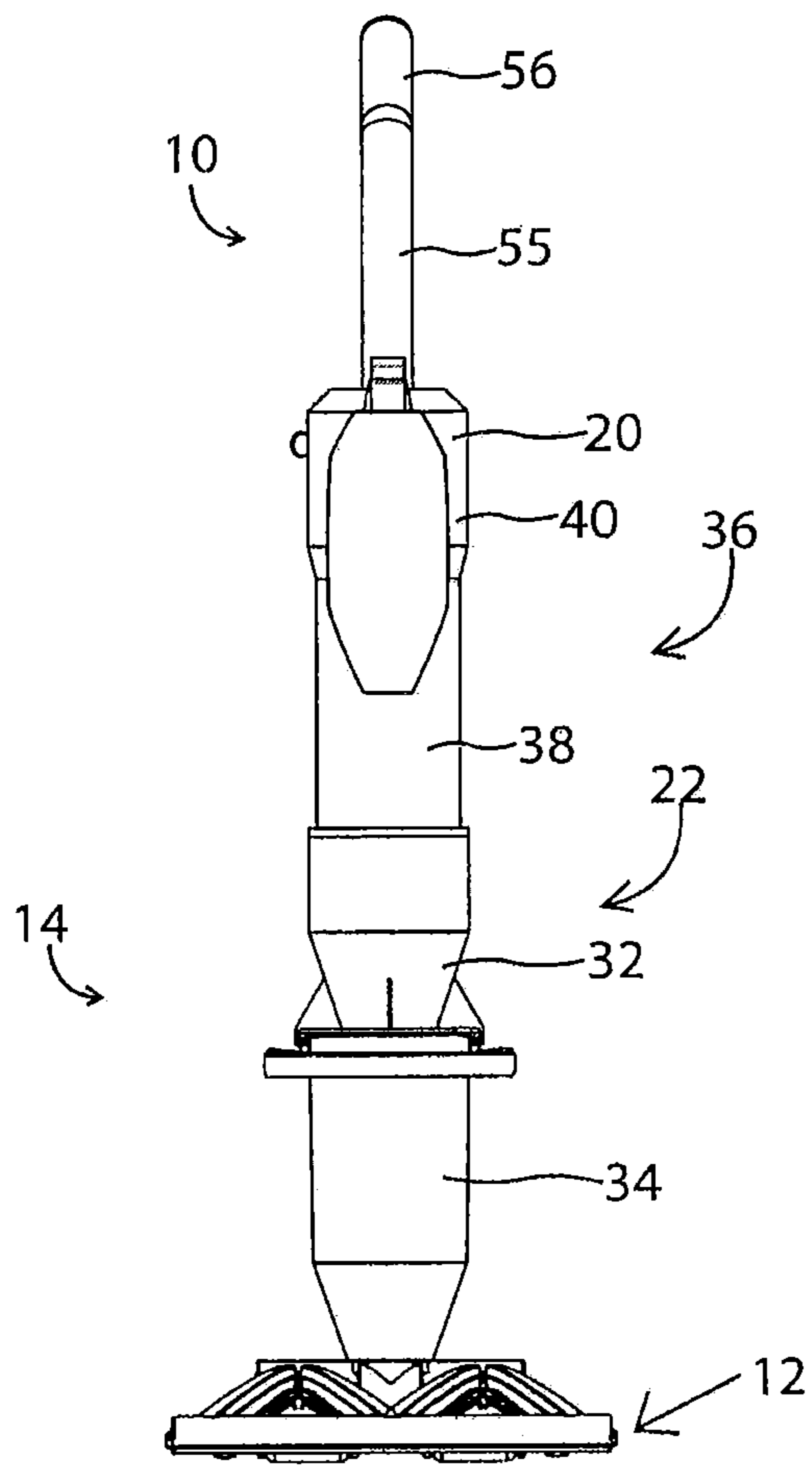


Fig. 2

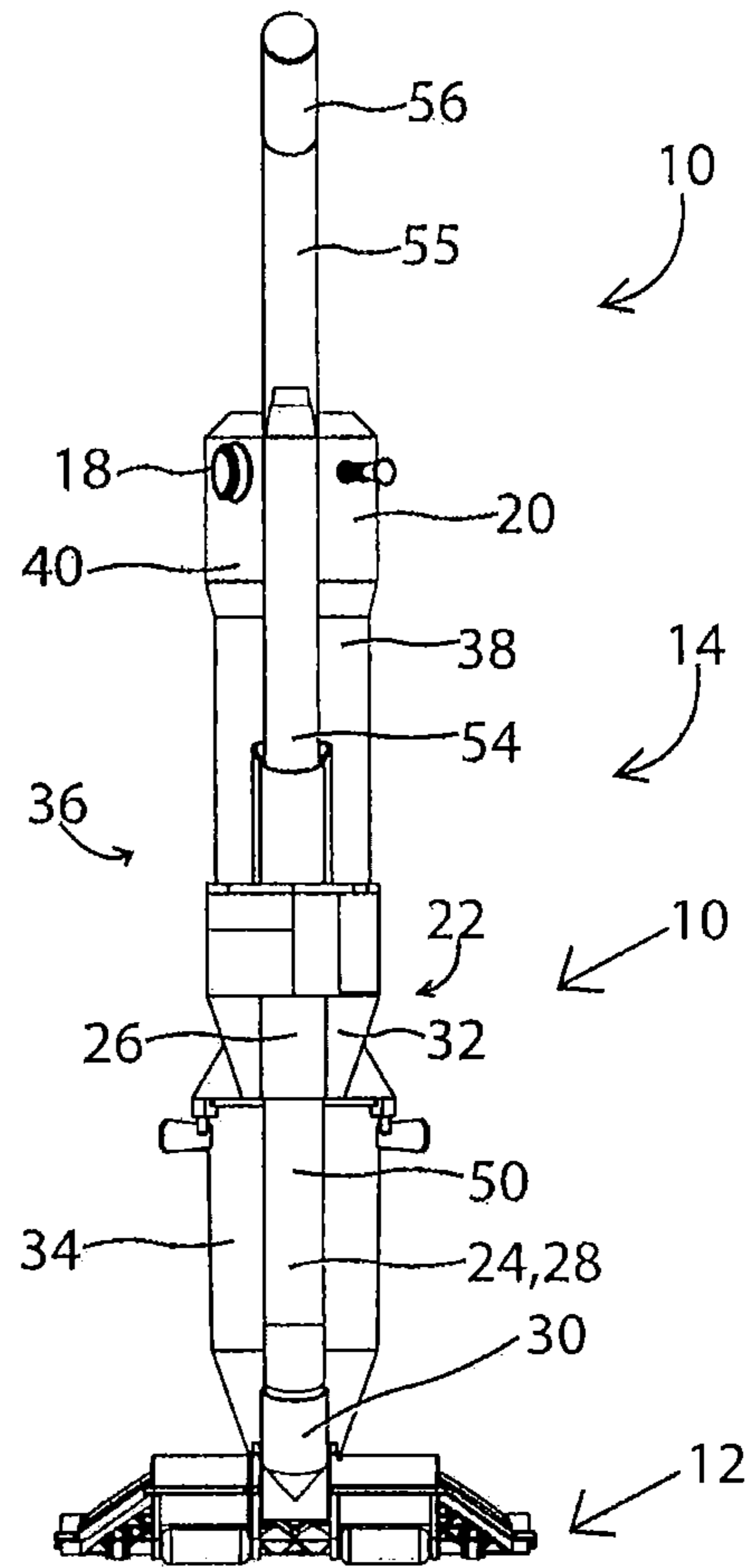


Fig. 3

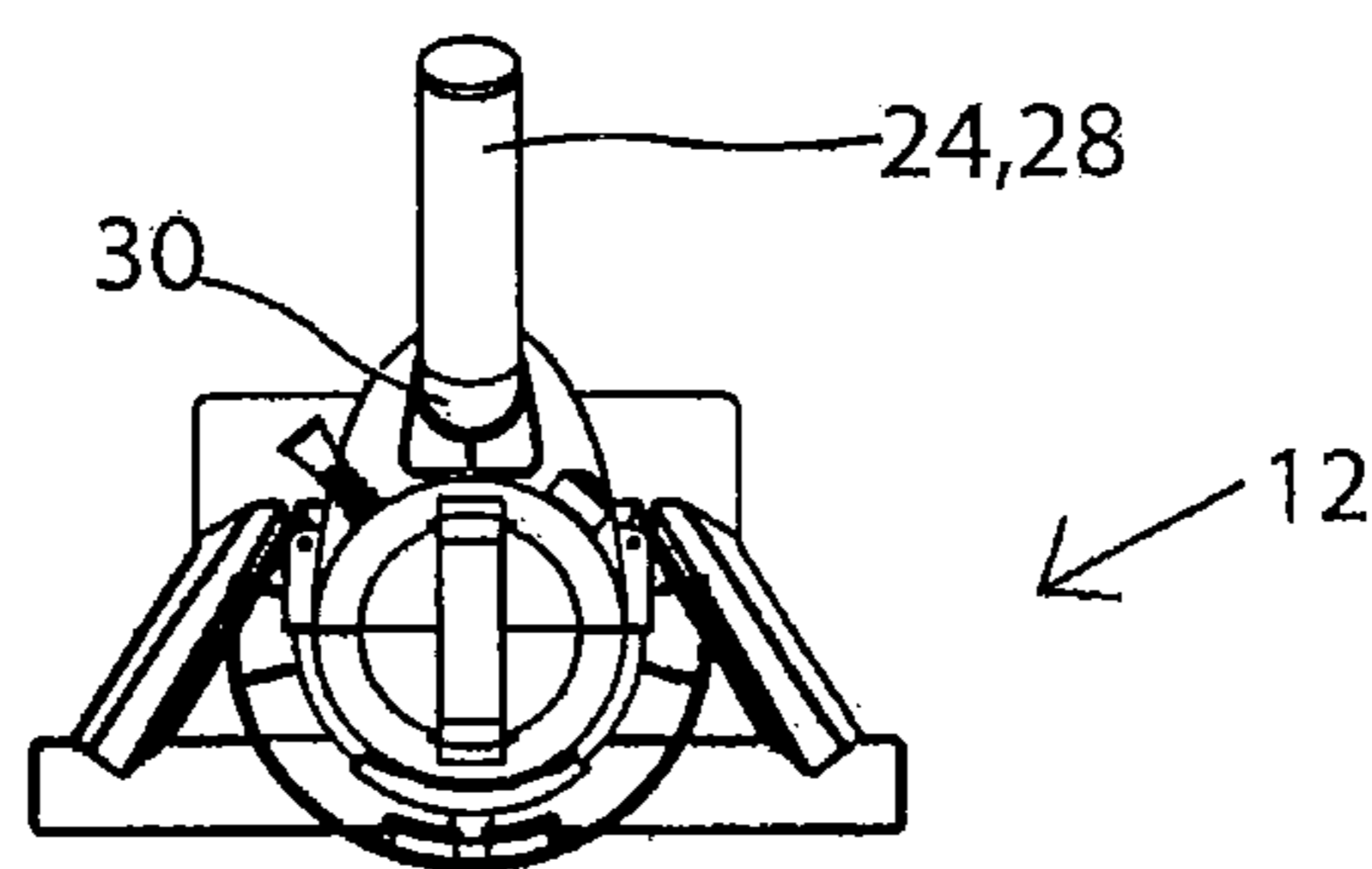


Fig. 4

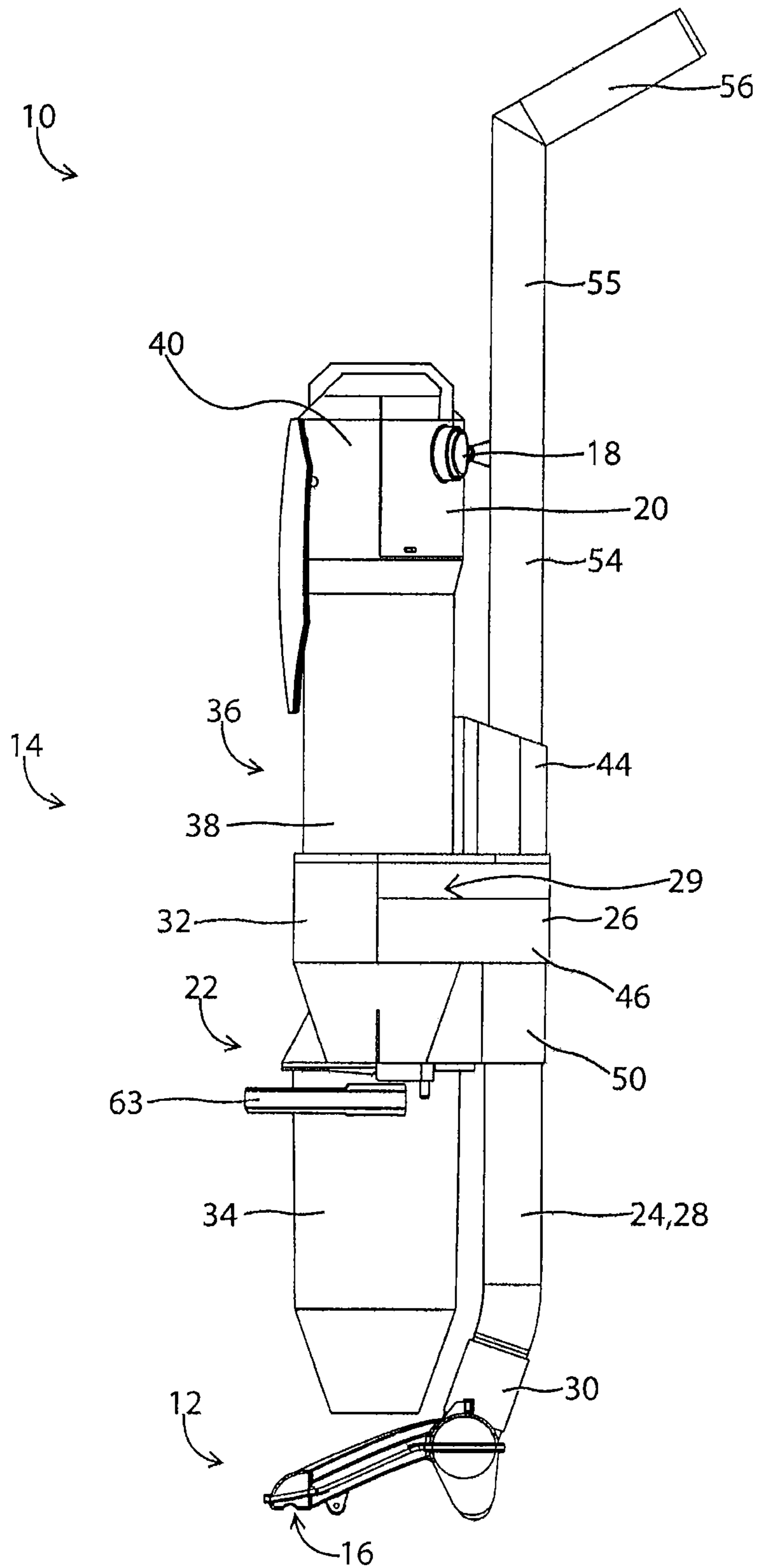


Fig. 5

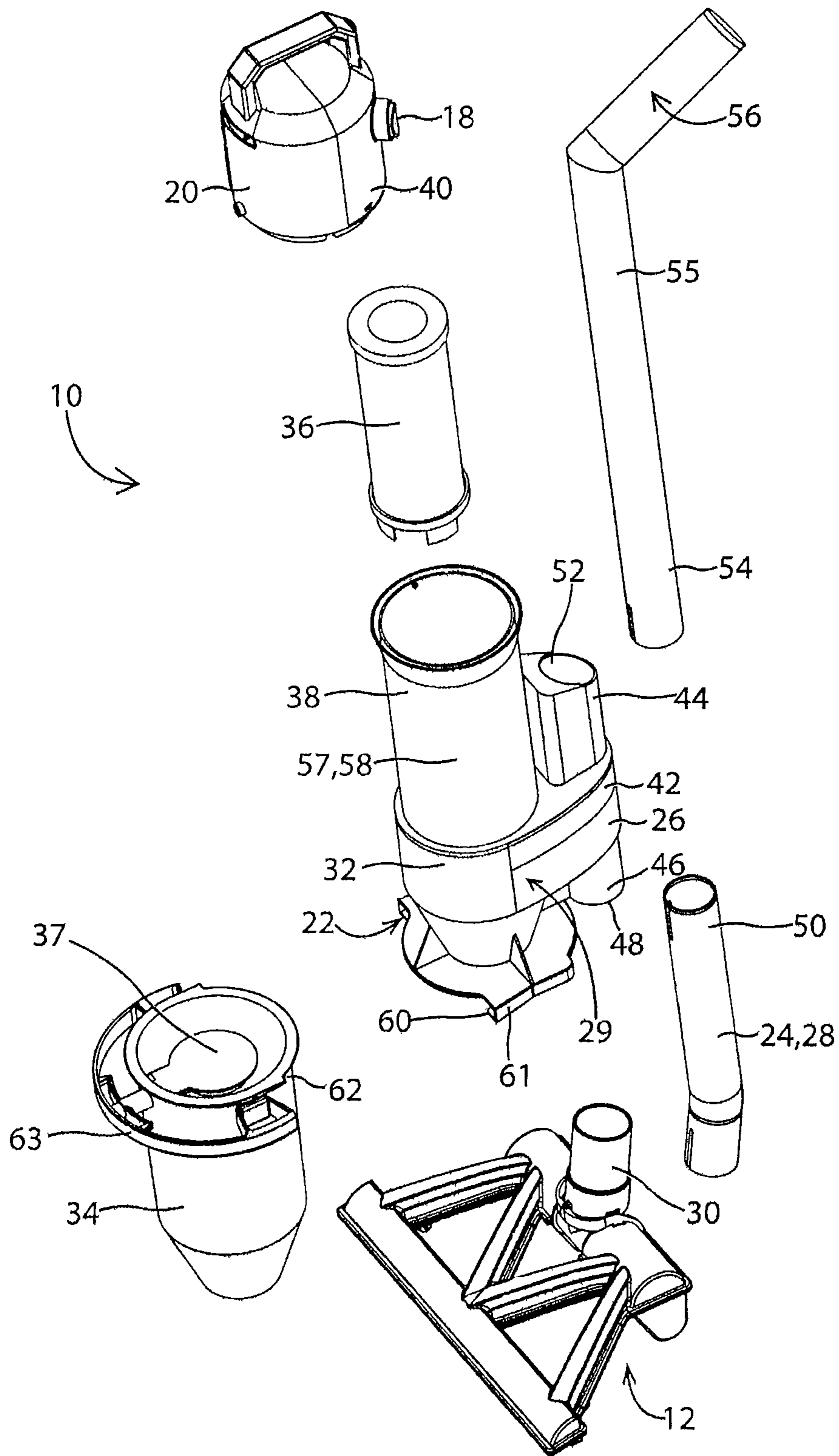


Fig. 6

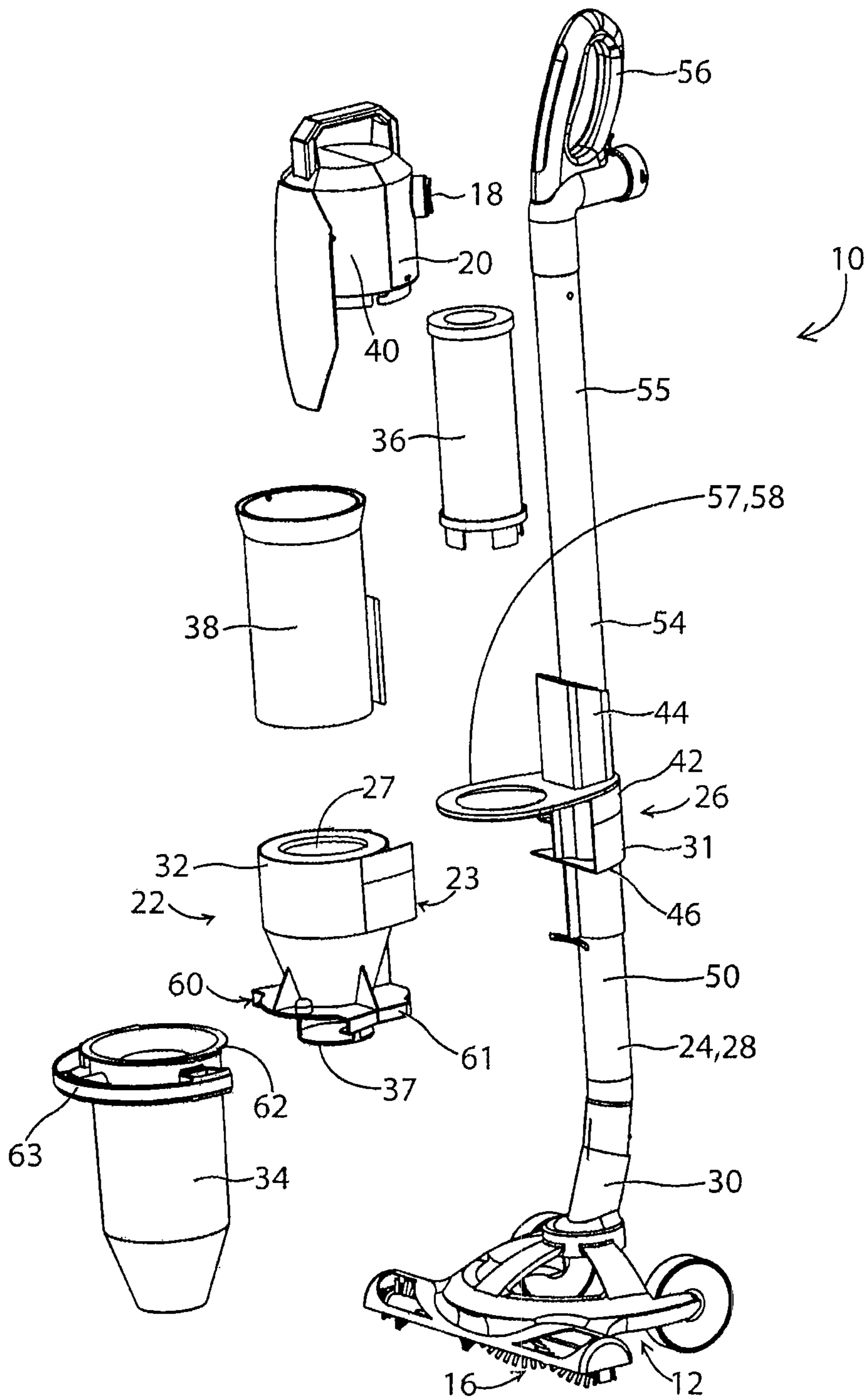


Fig. 7

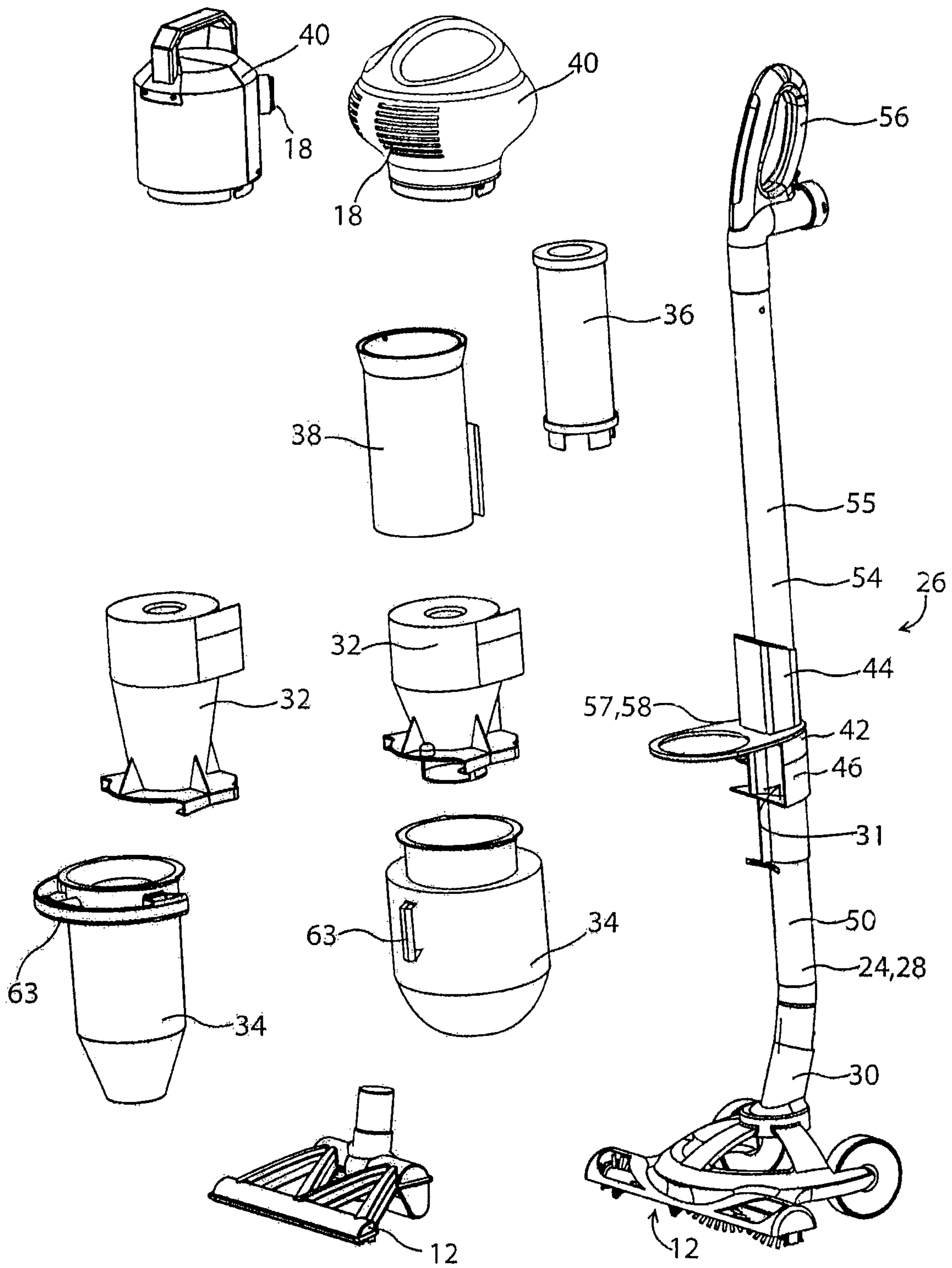


Fig. 08

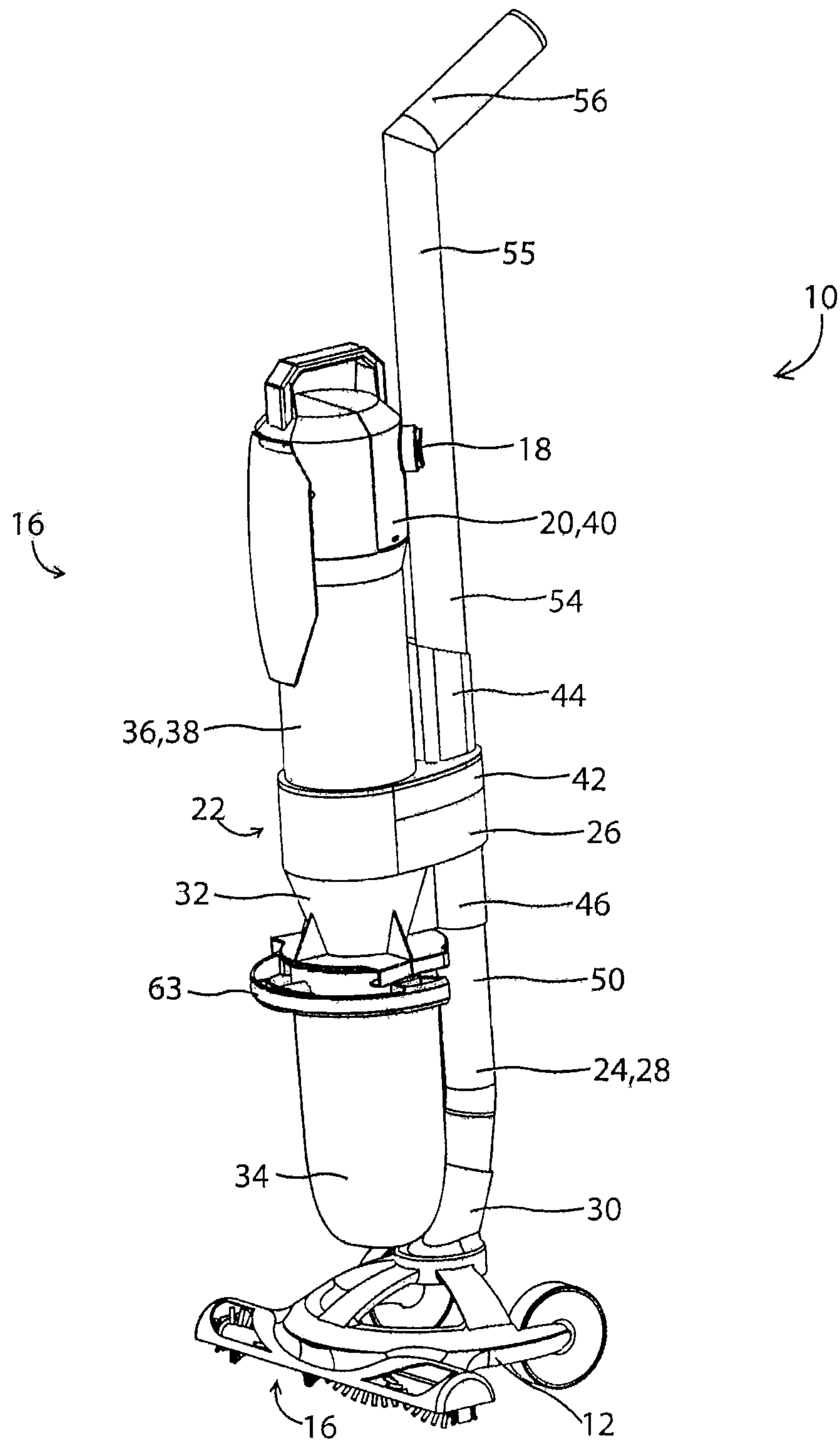


Fig. 9

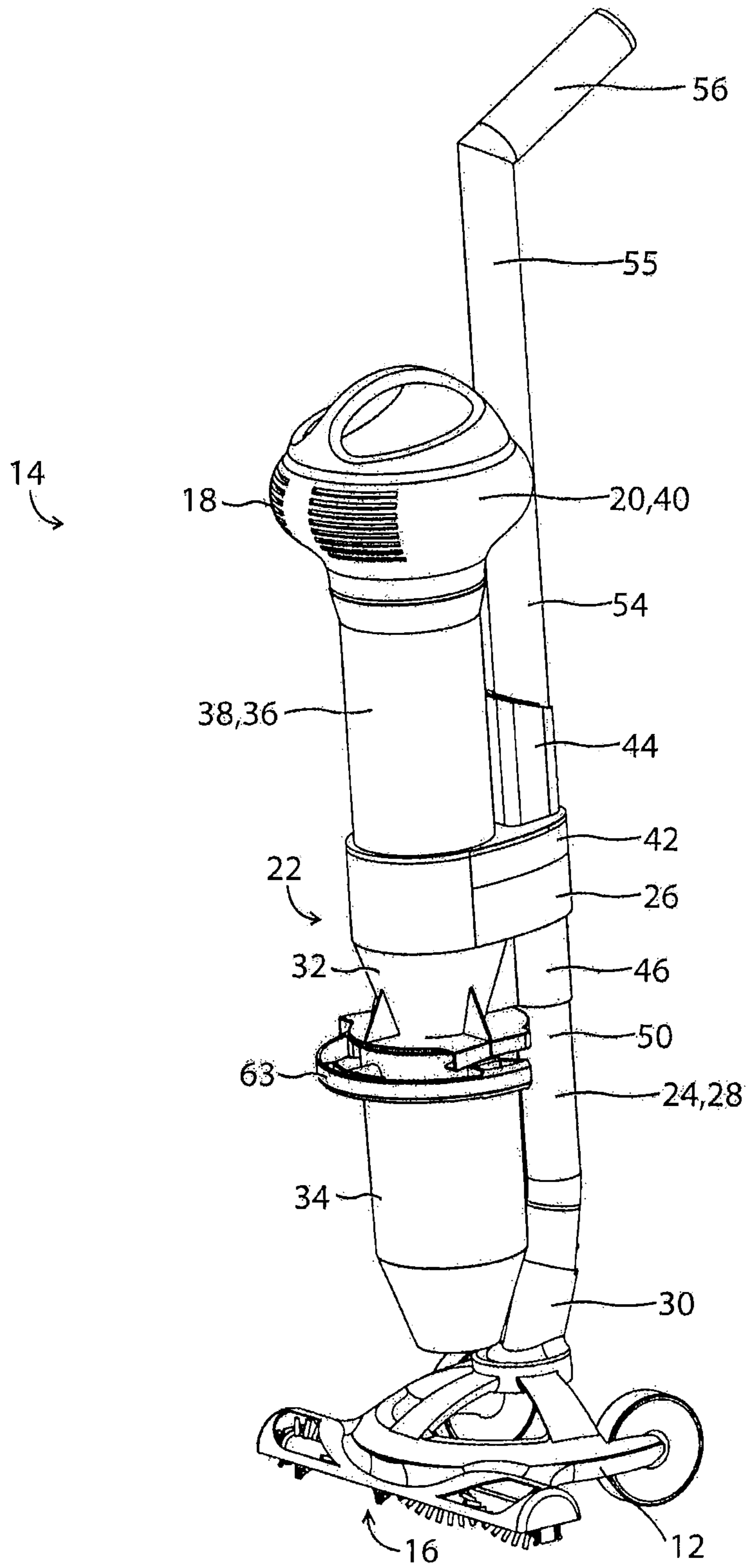


Fig. 10

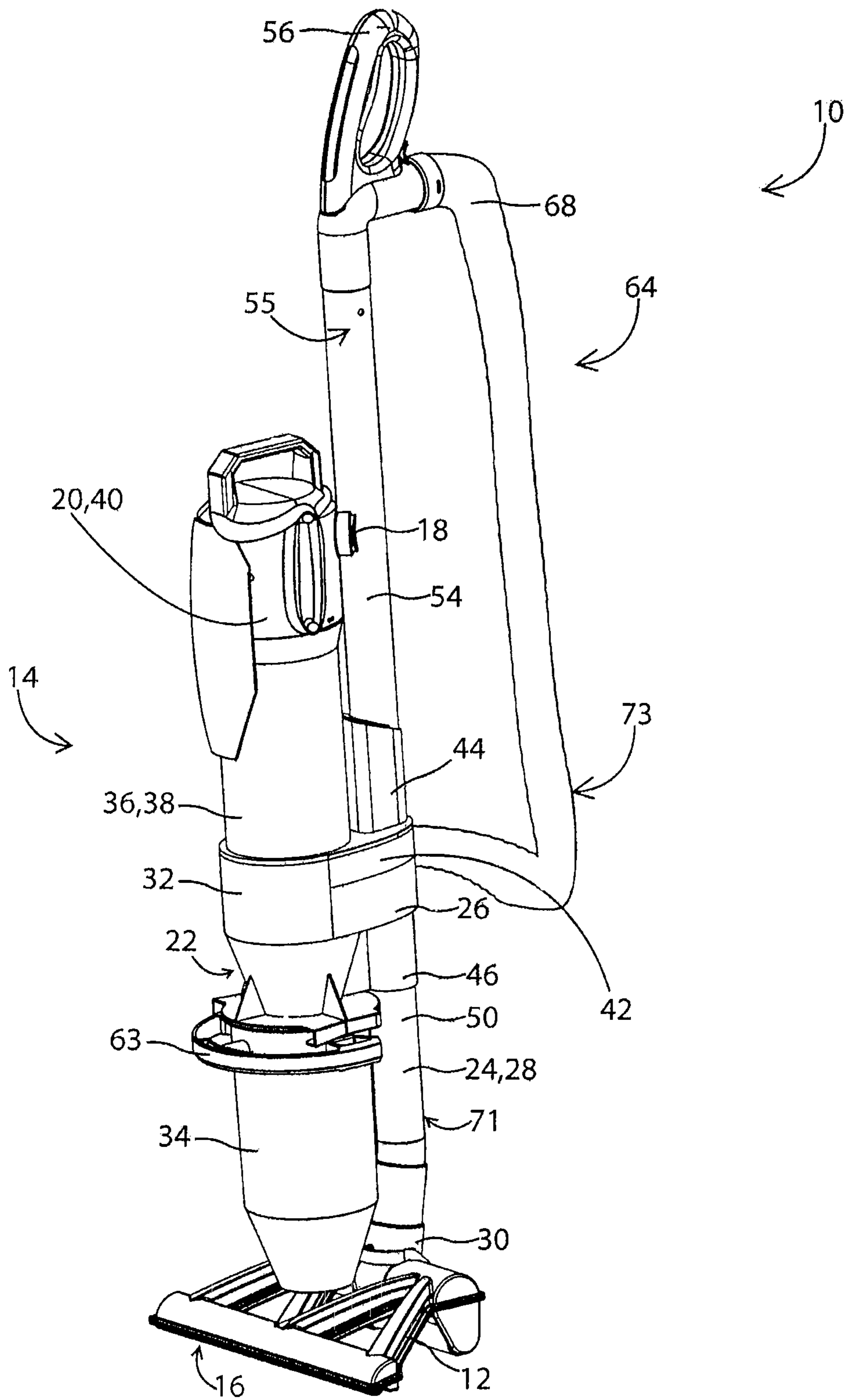


Fig. 11

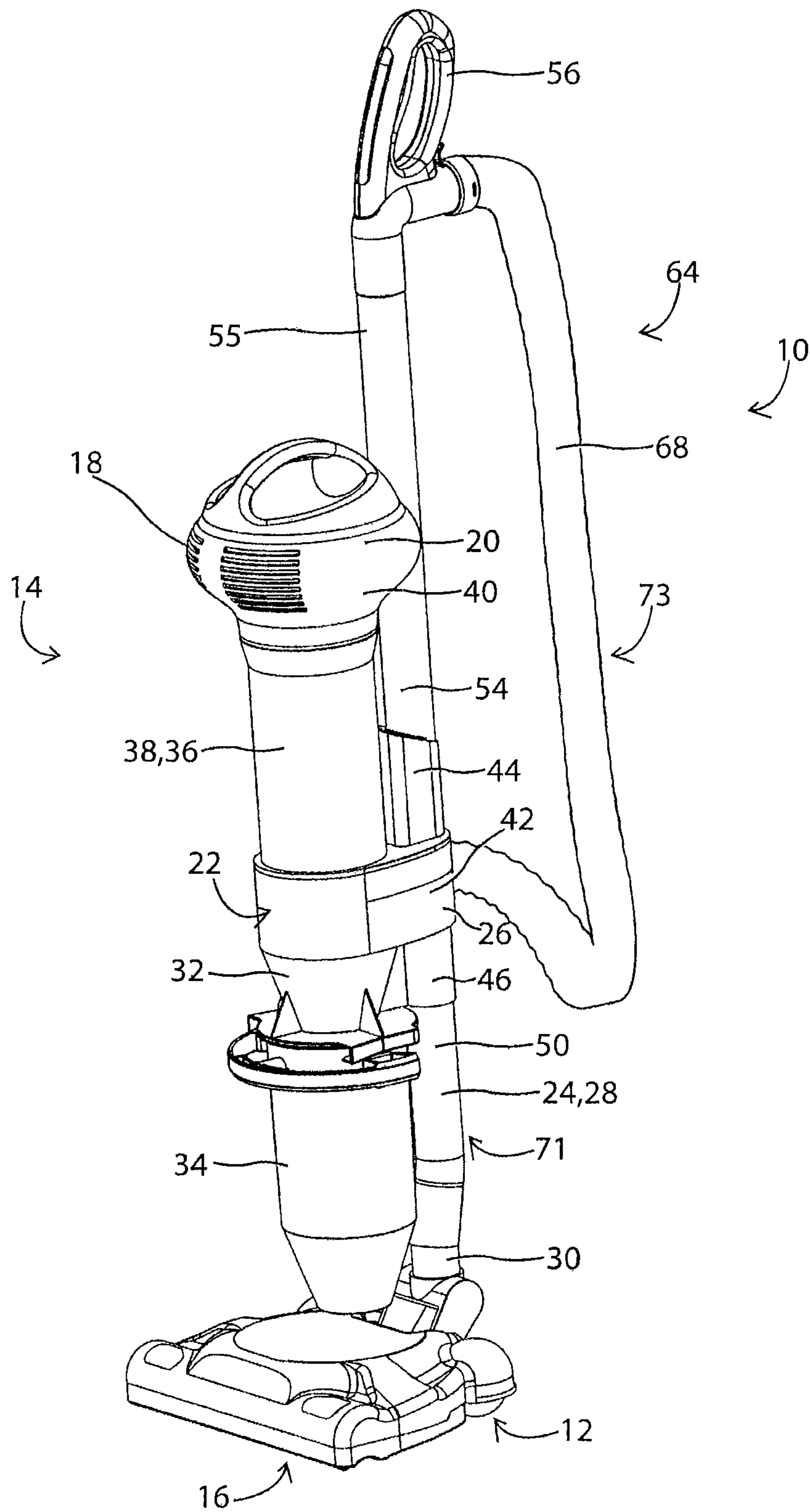


Fig. 12

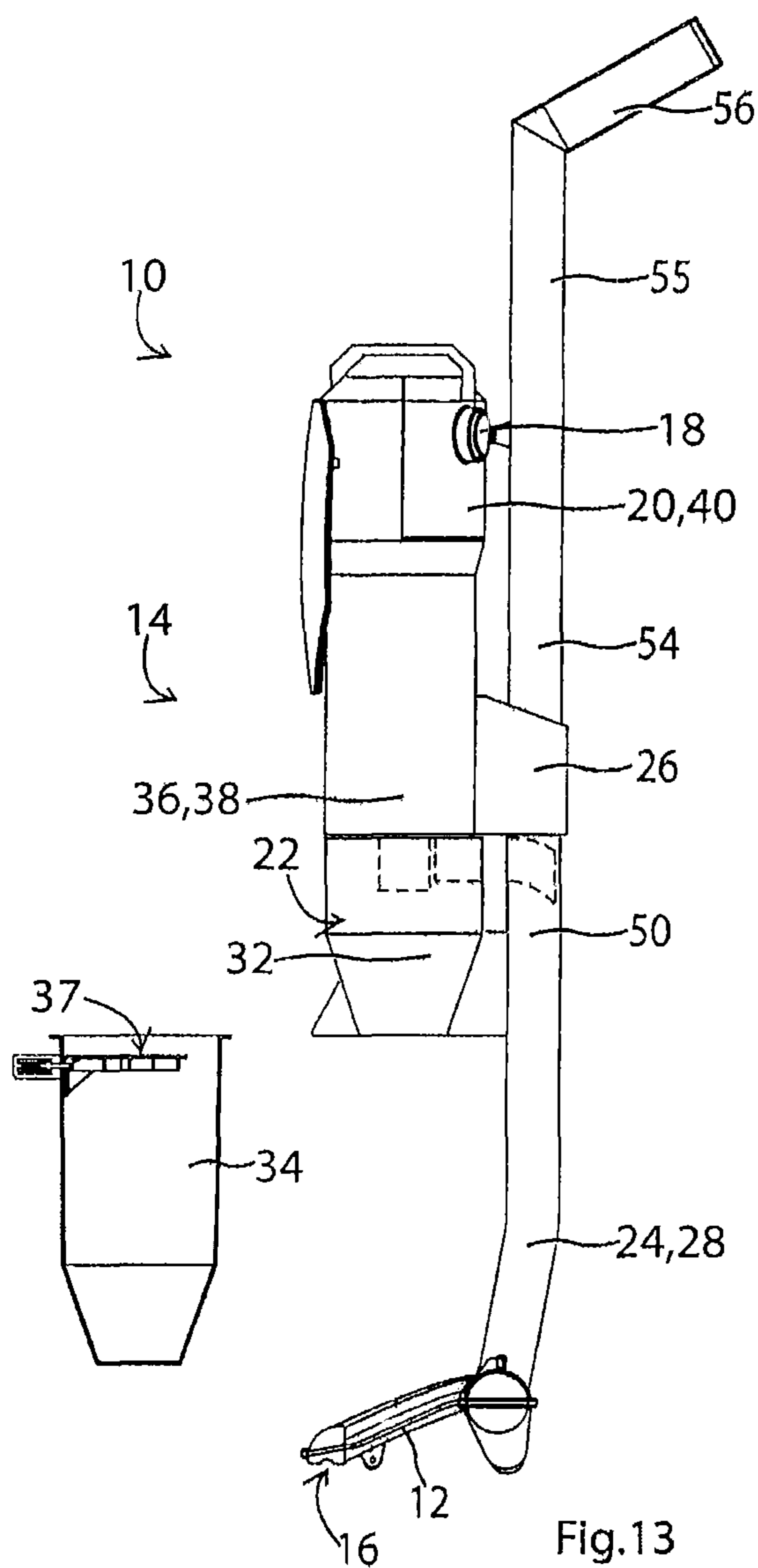


Fig. 13

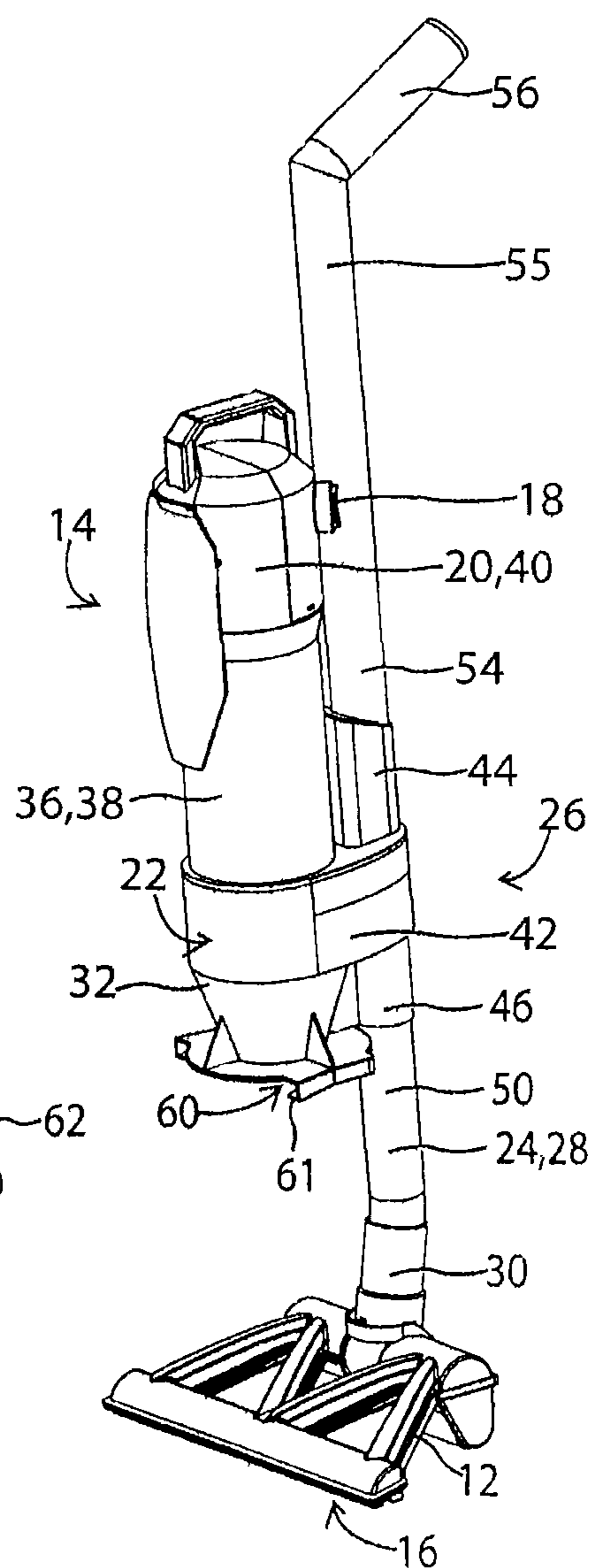


Fig. 14

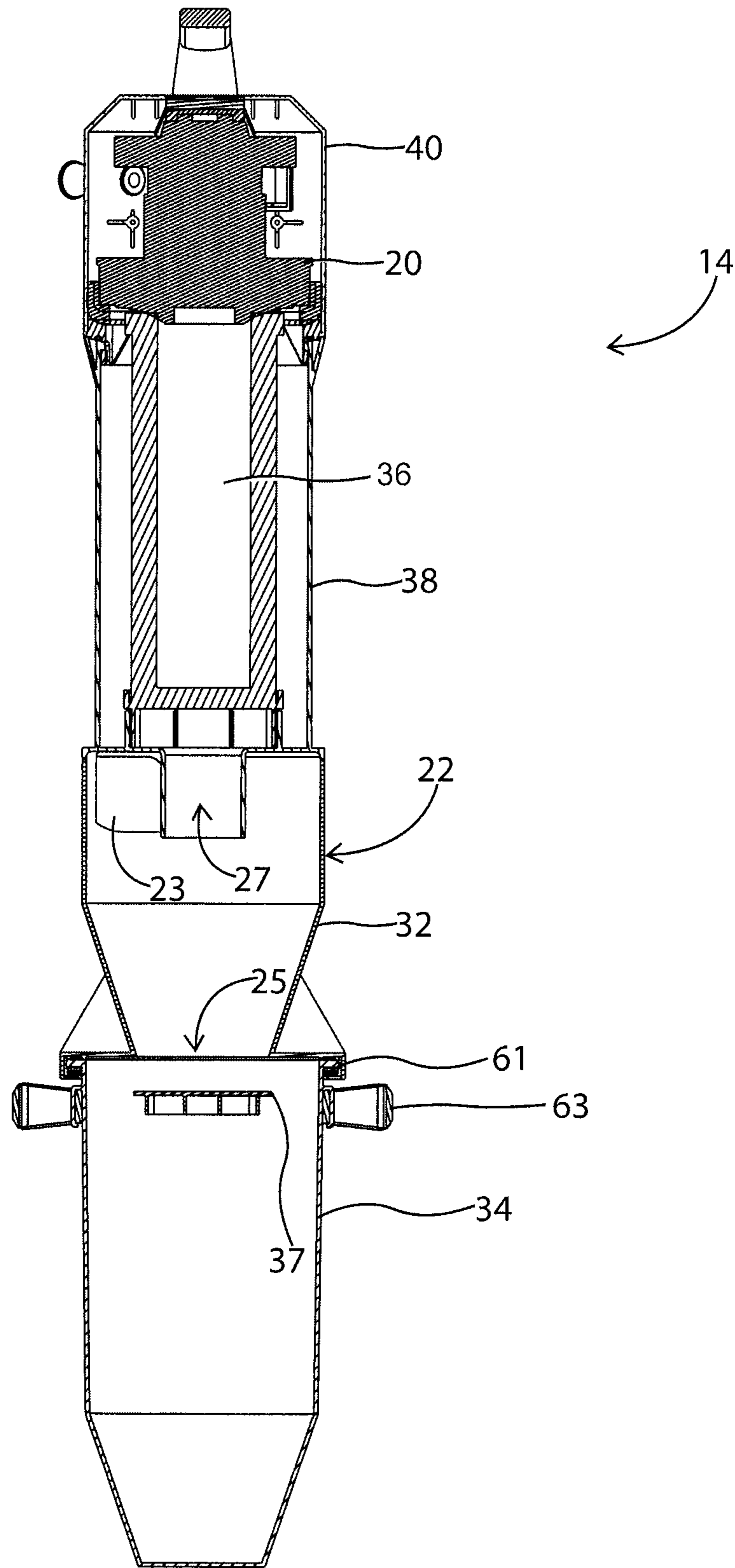


Fig. 15

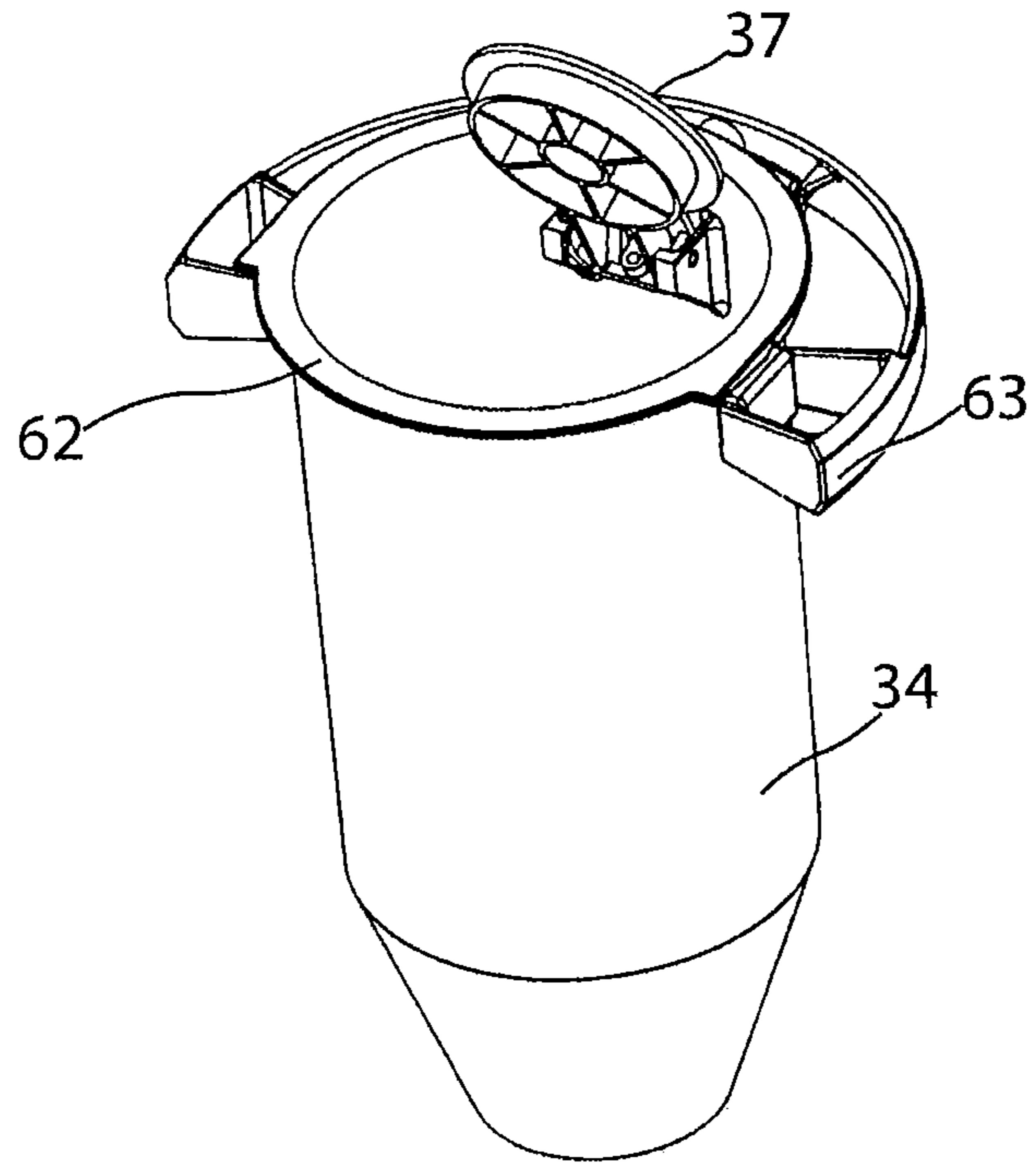


Fig. 17

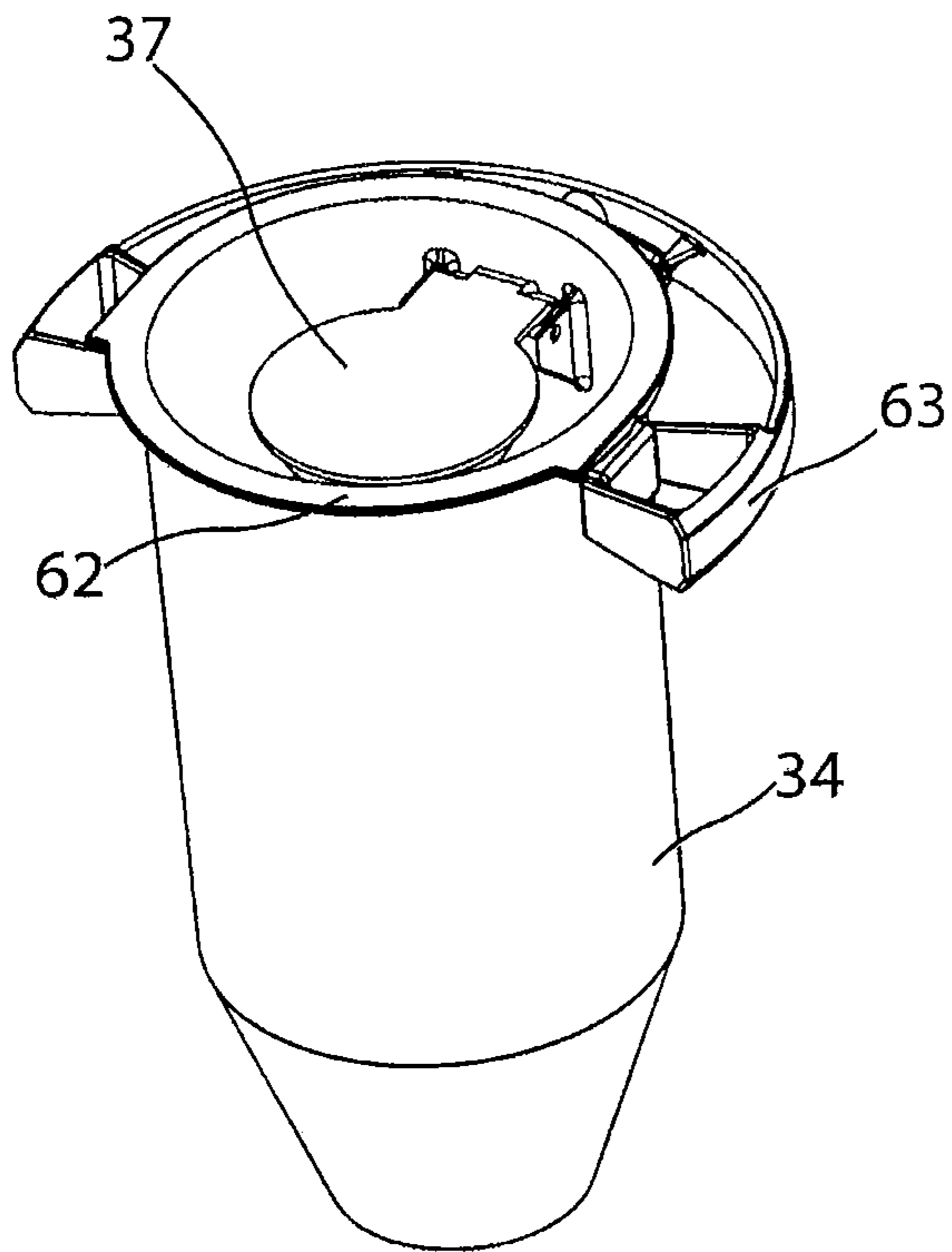


Fig. 16

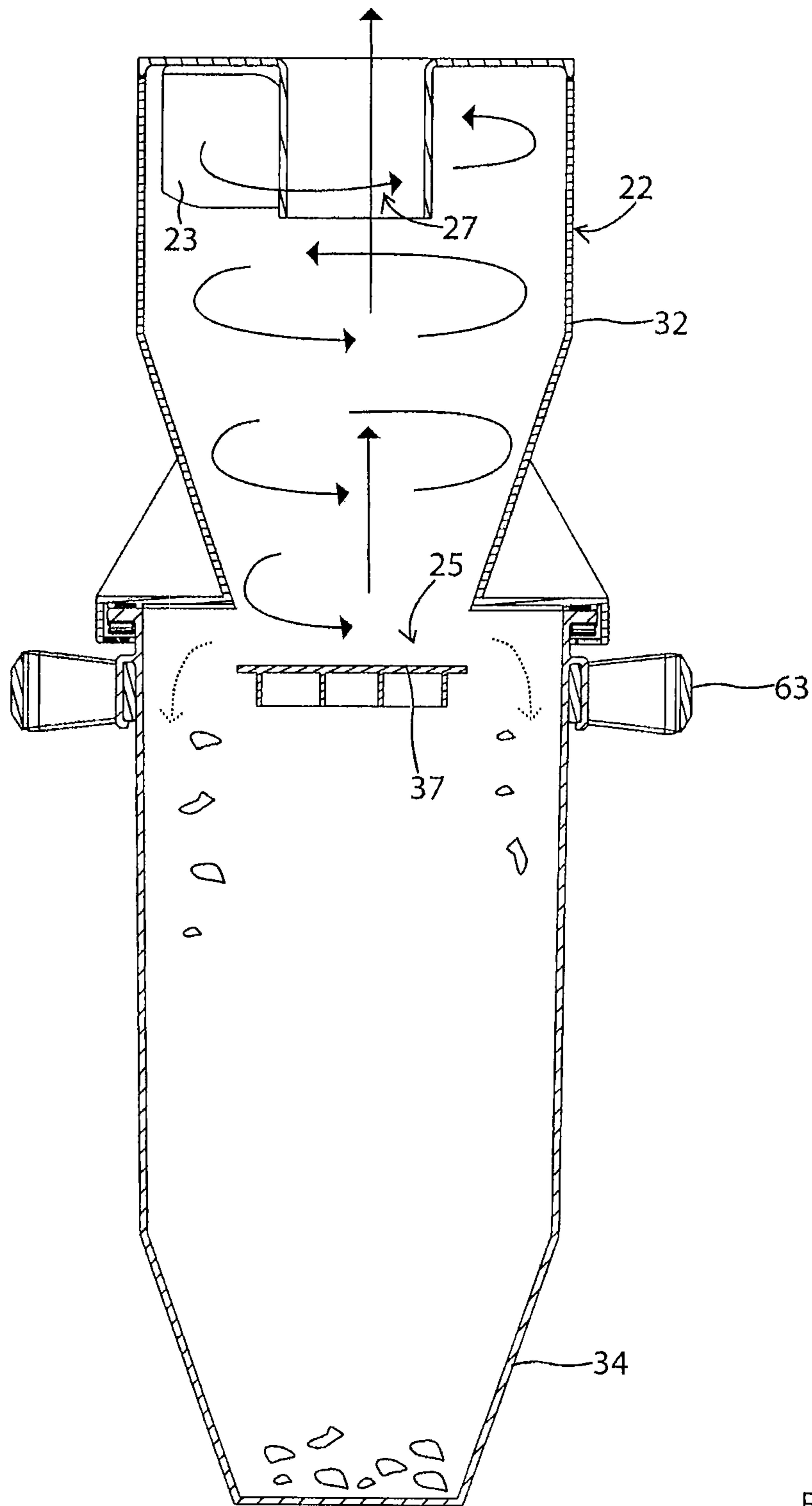


Fig. 18

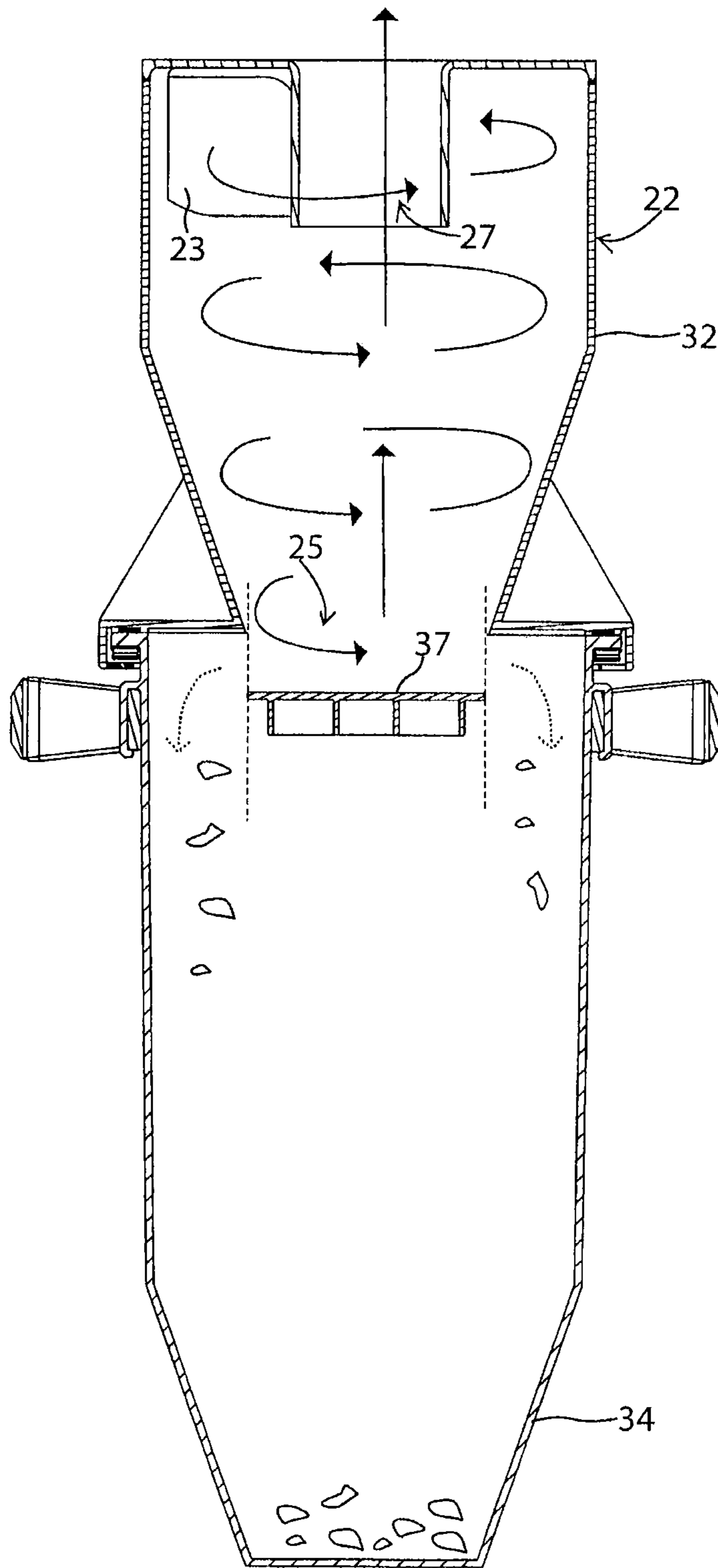


Fig. 19

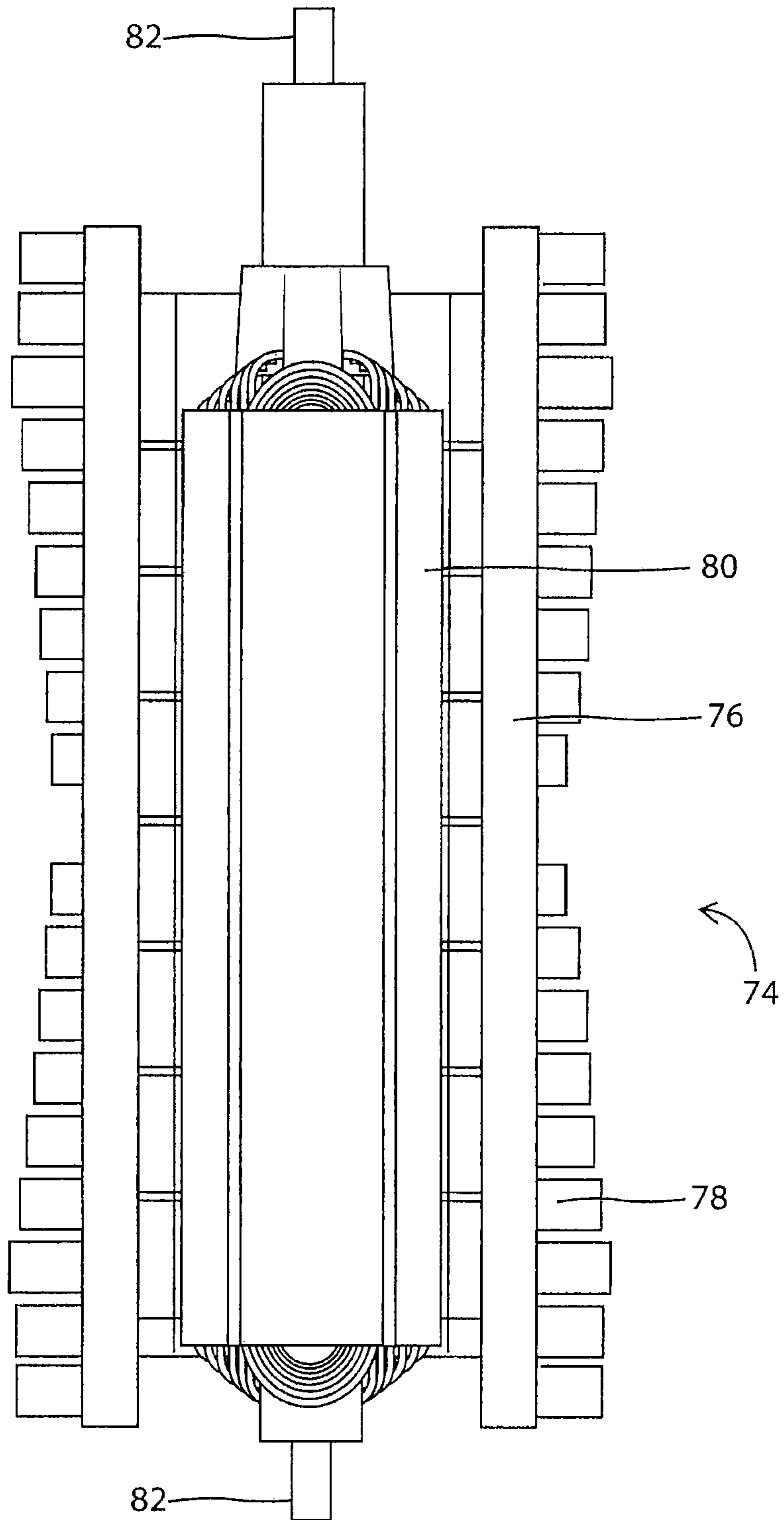


Fig. 20

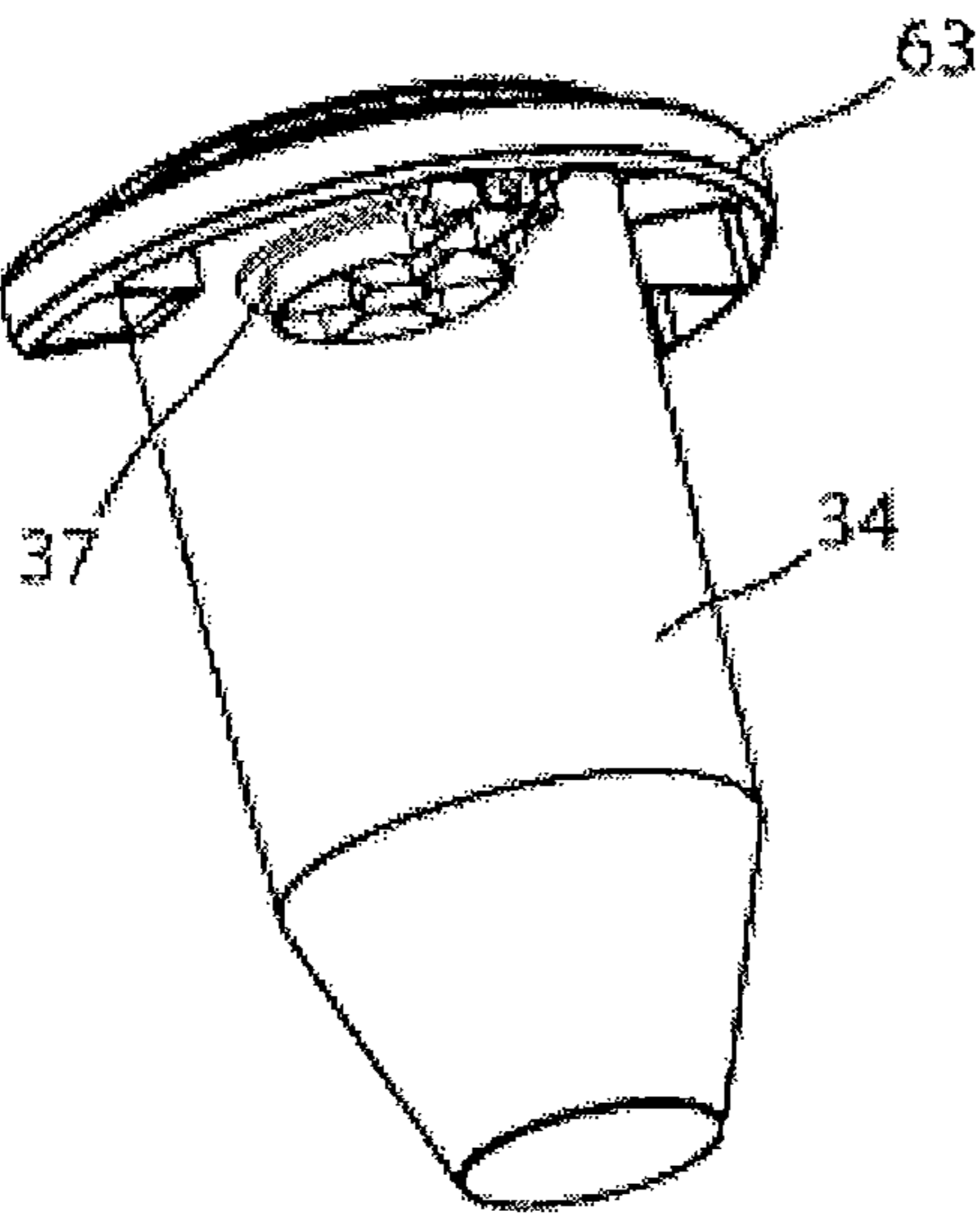
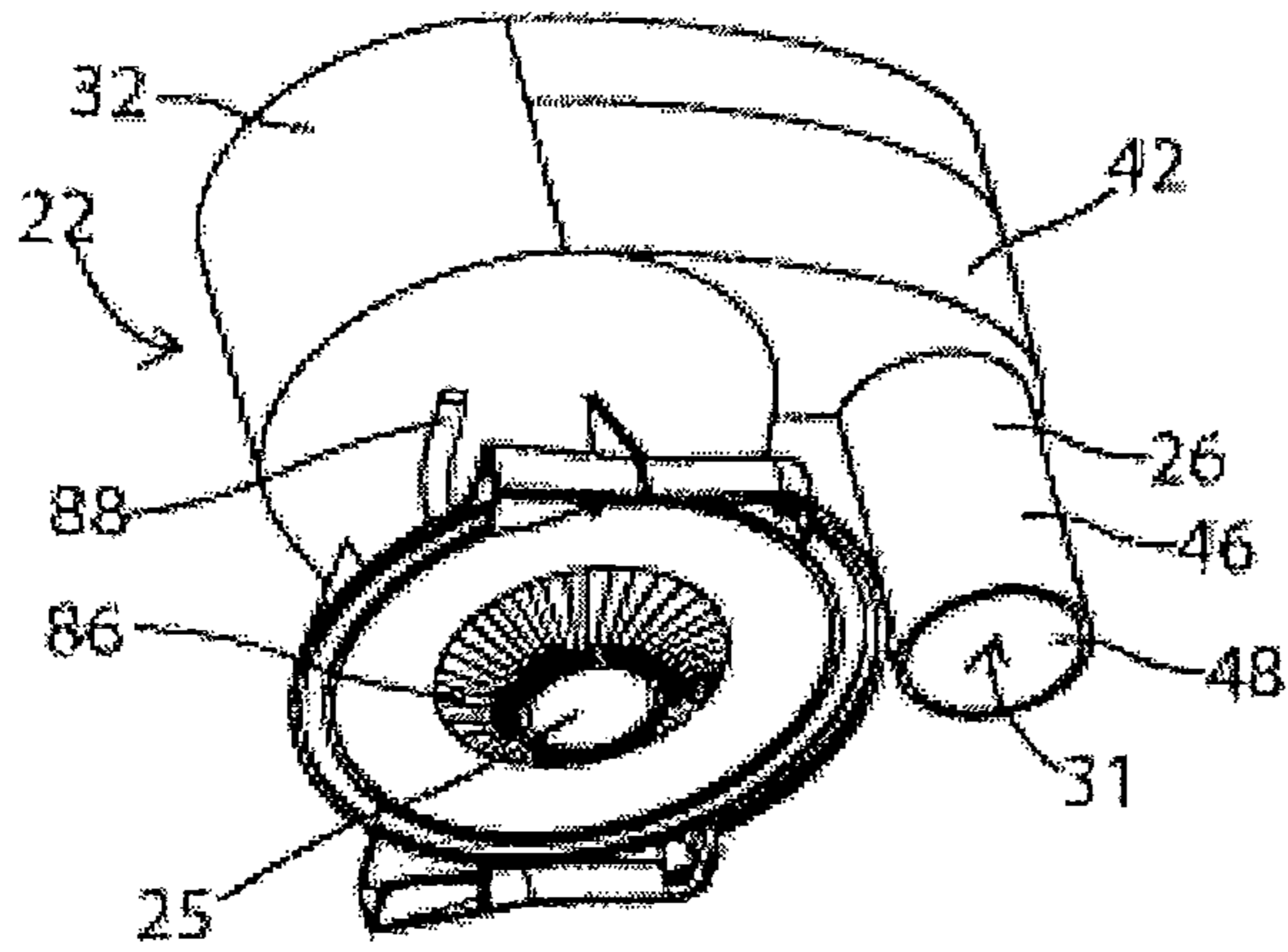


Fig. 21a

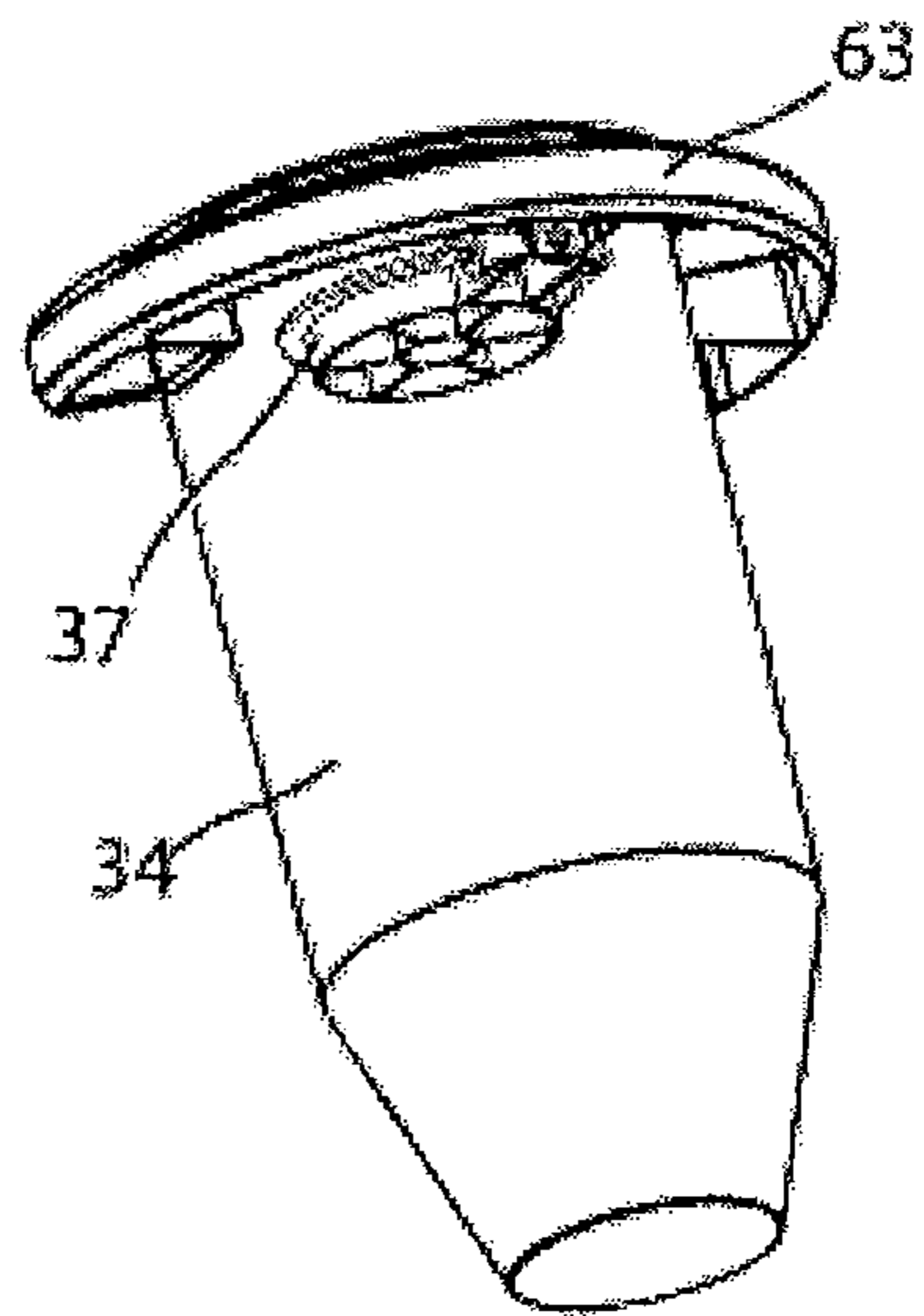
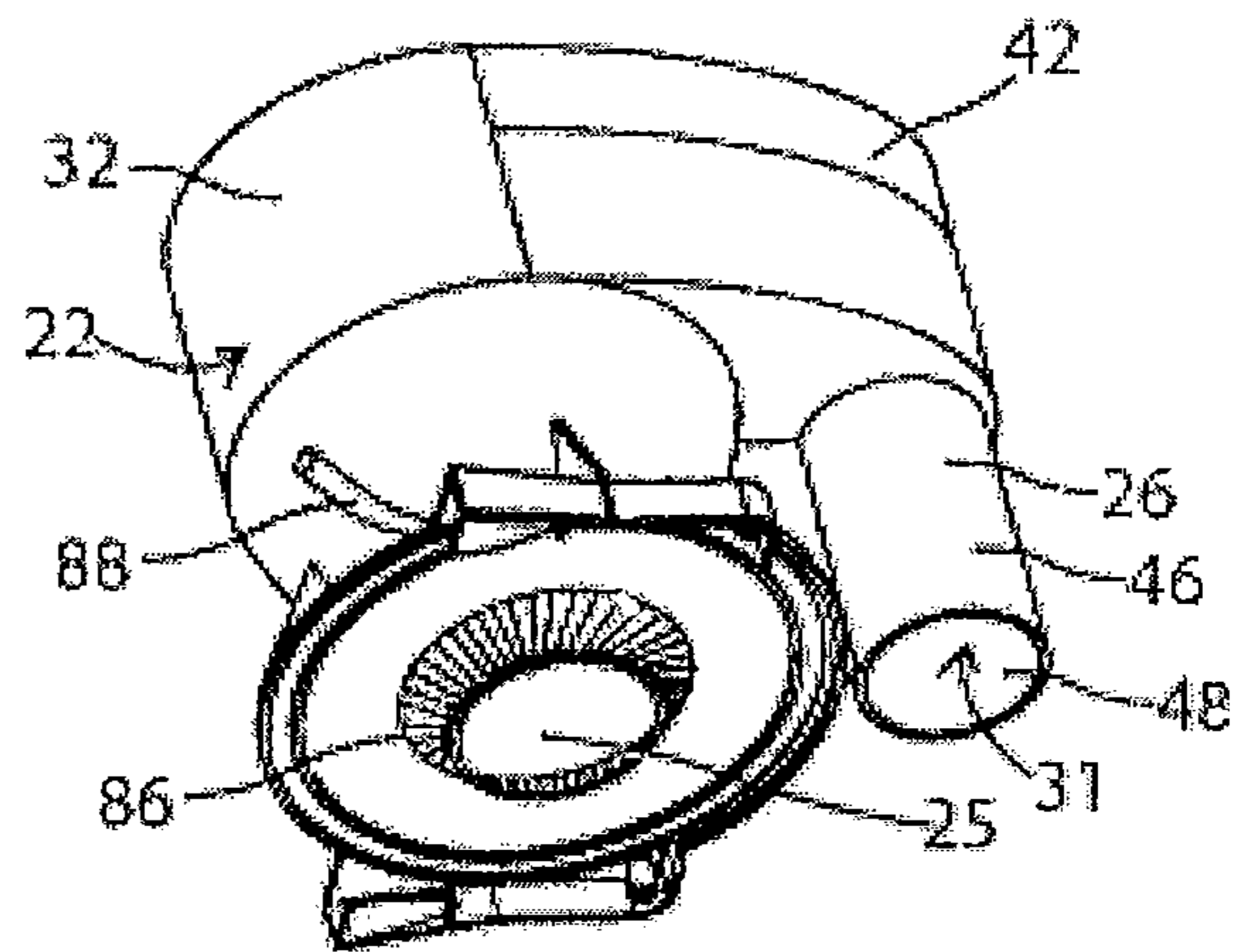


Fig. 21b

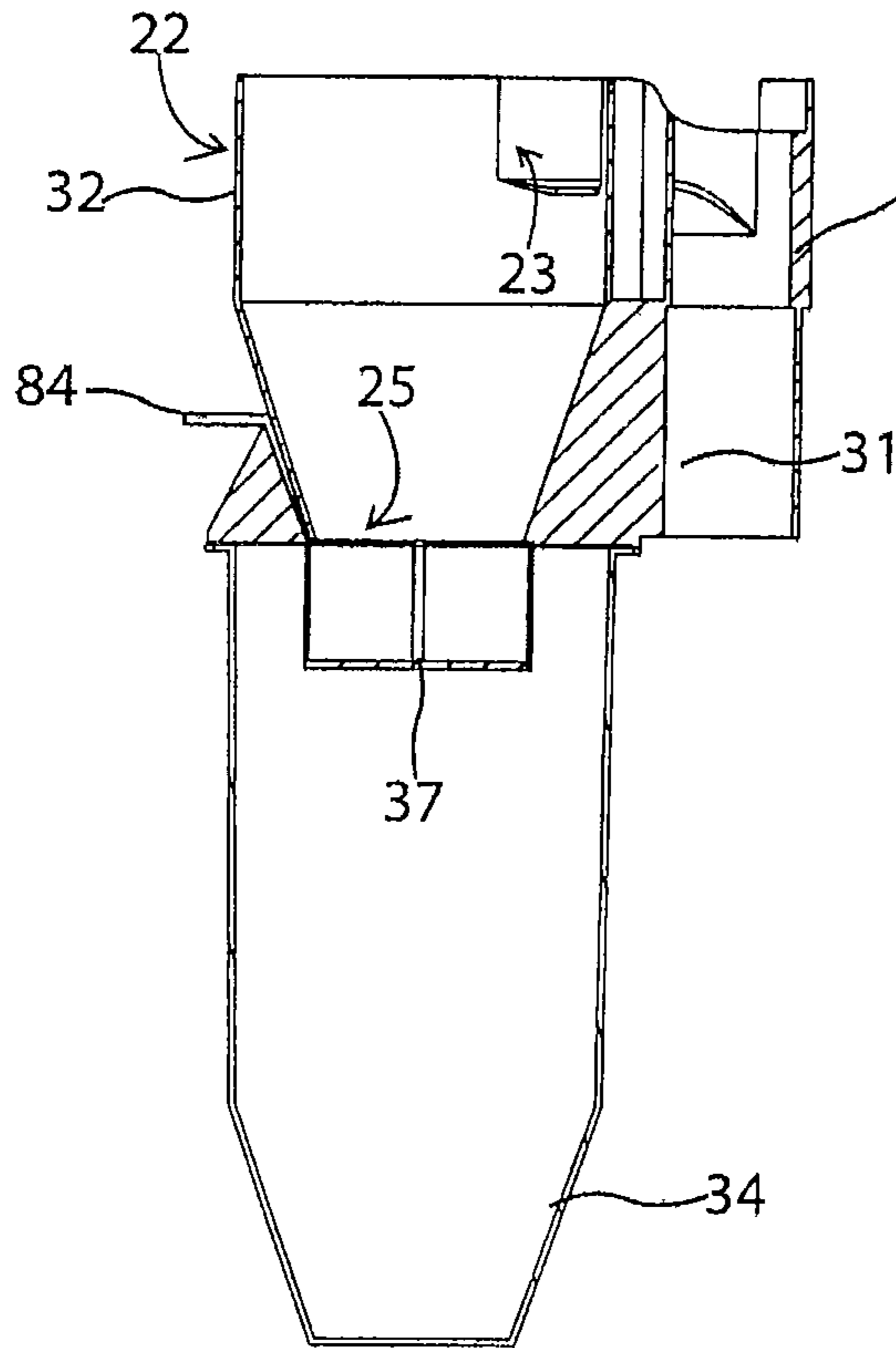


Fig. 22a

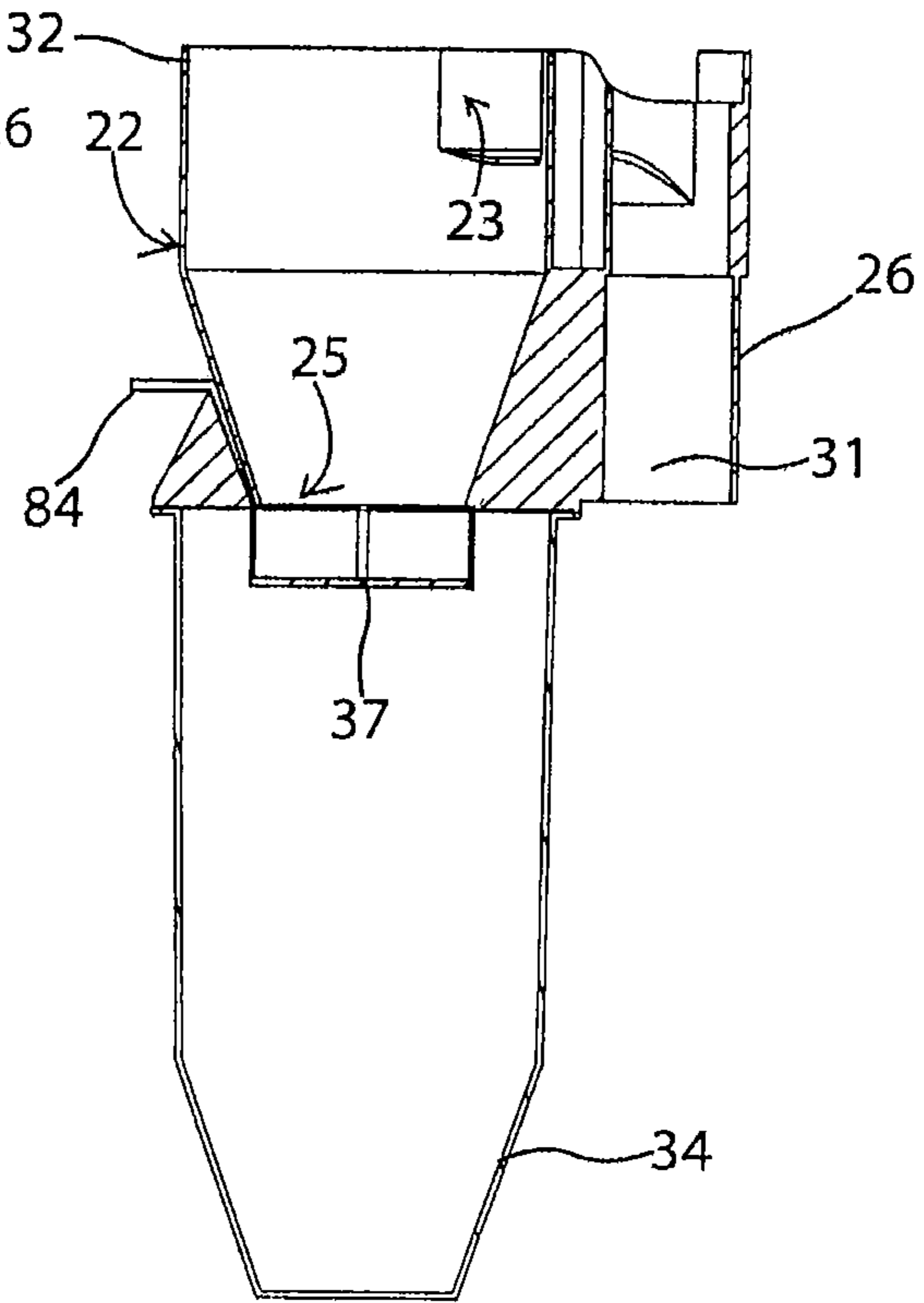


Fig. 22b

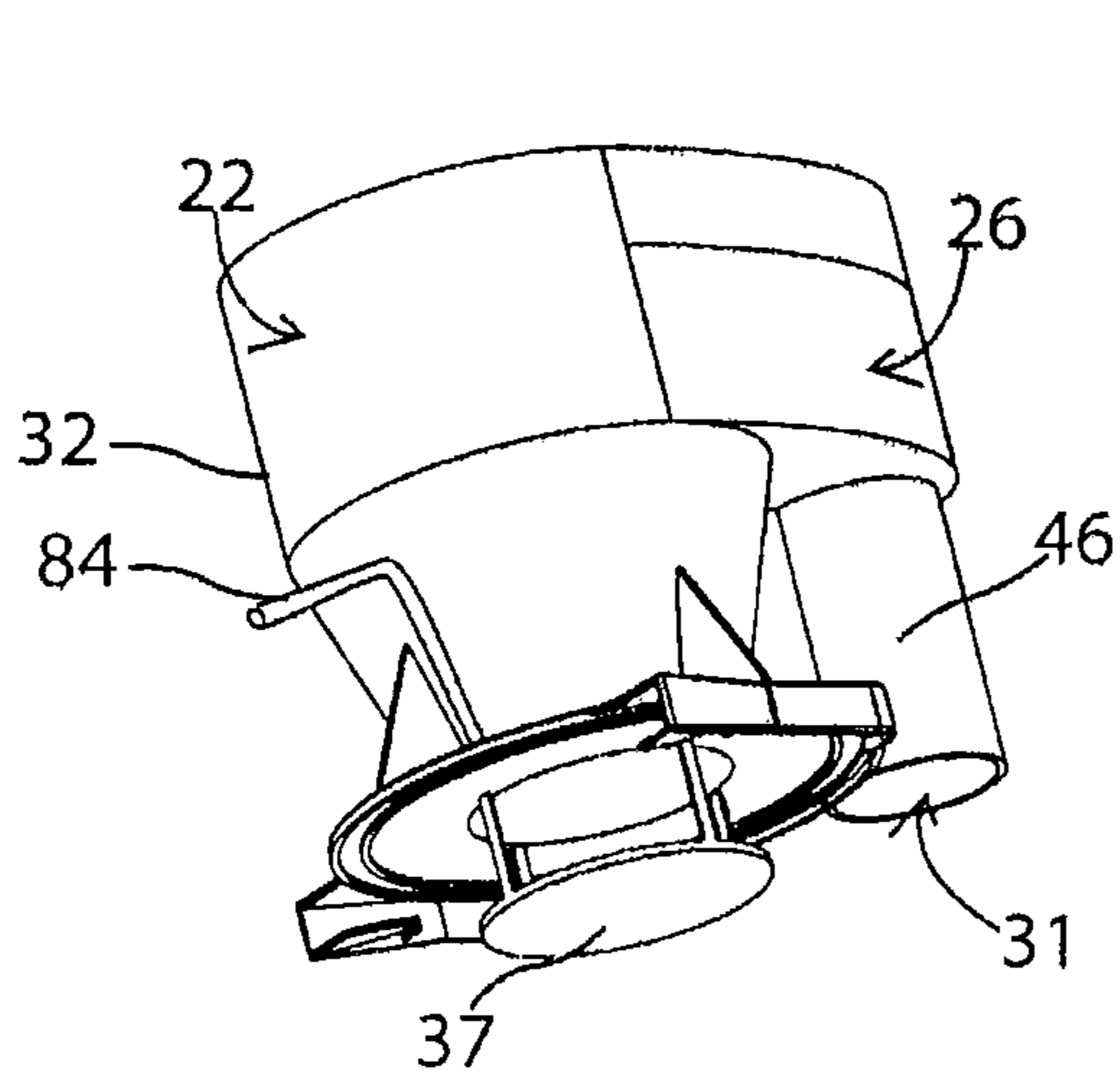


Fig. 22c

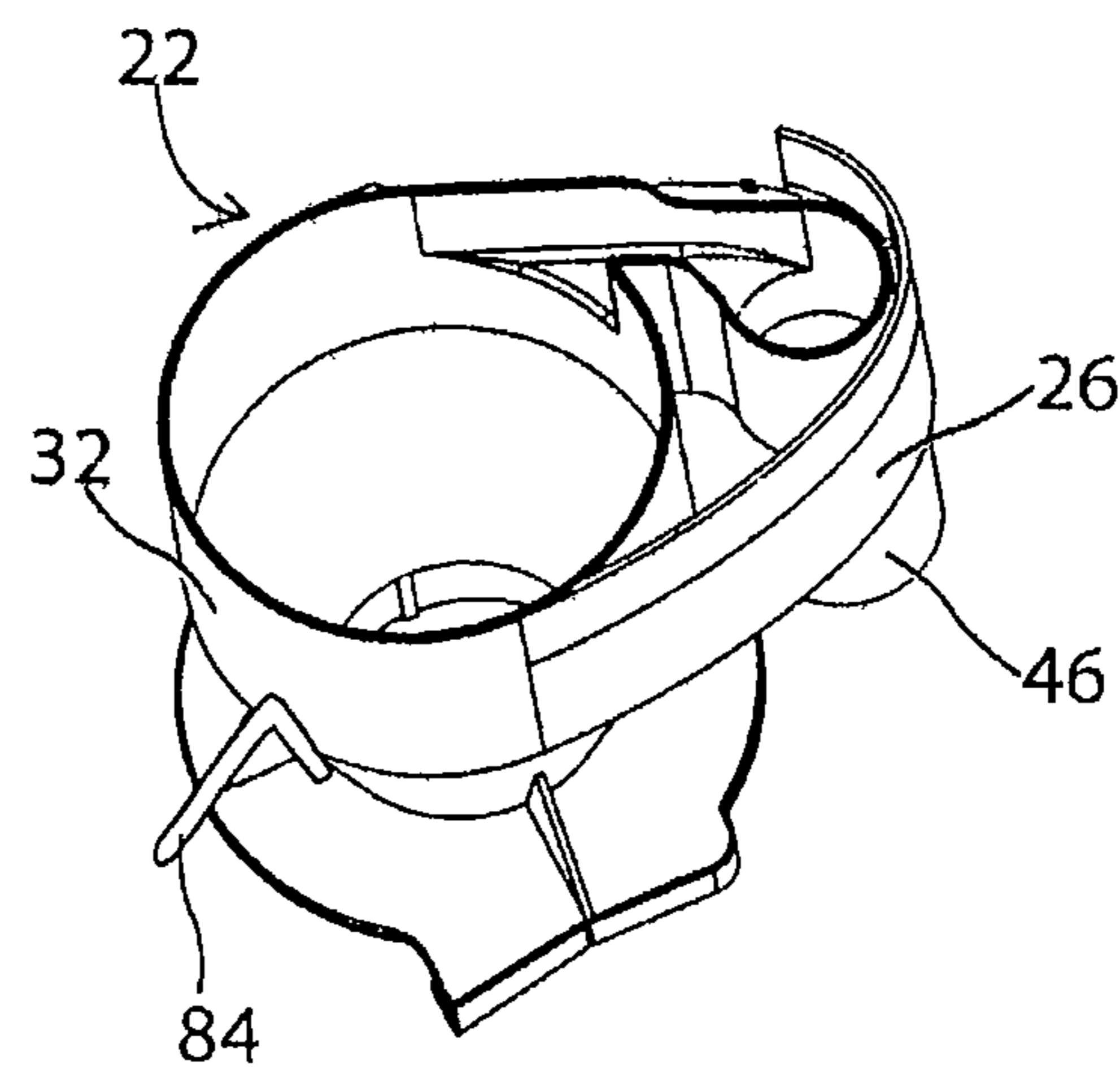


Fig. 22d

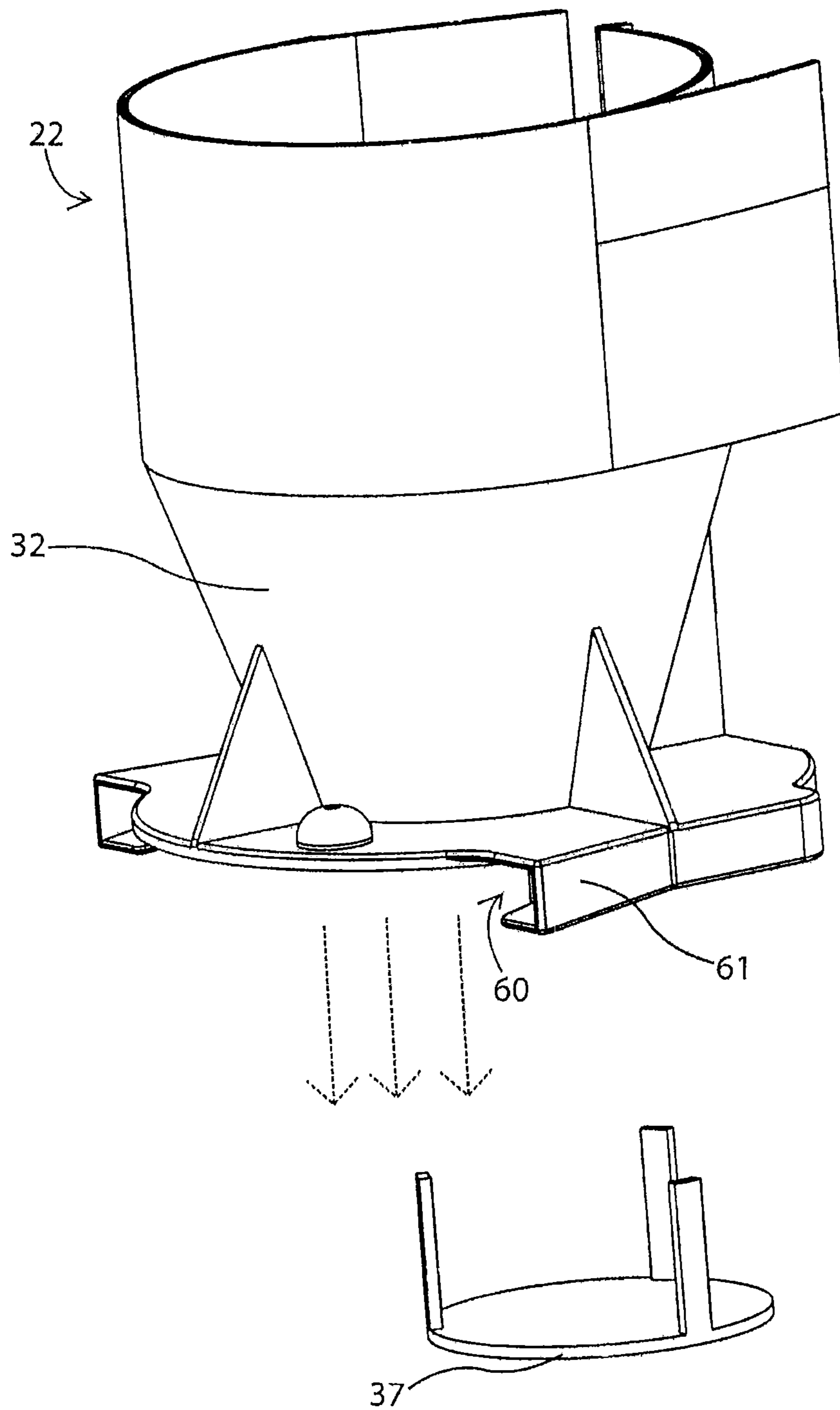


Fig. 22e

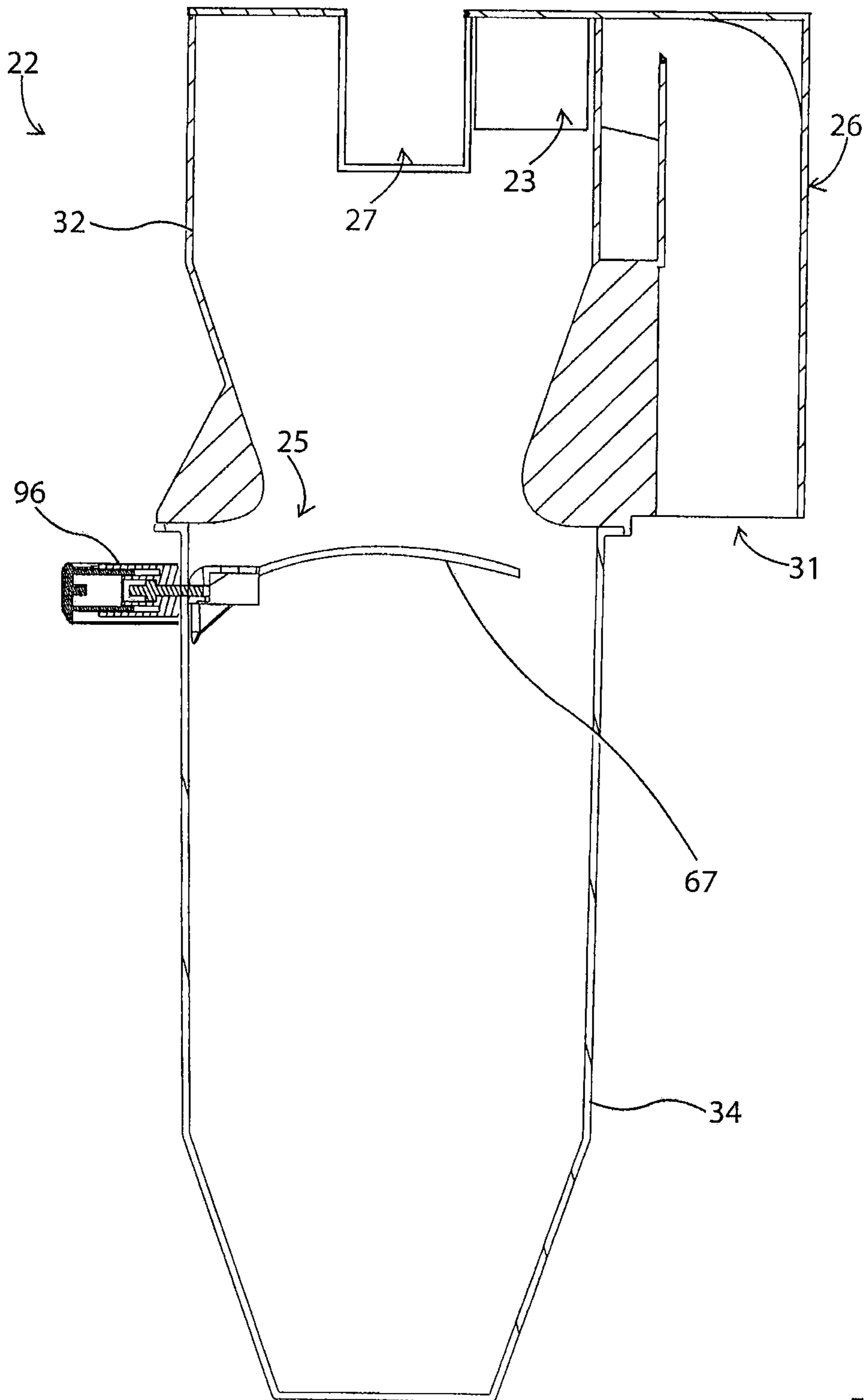


Fig. 23

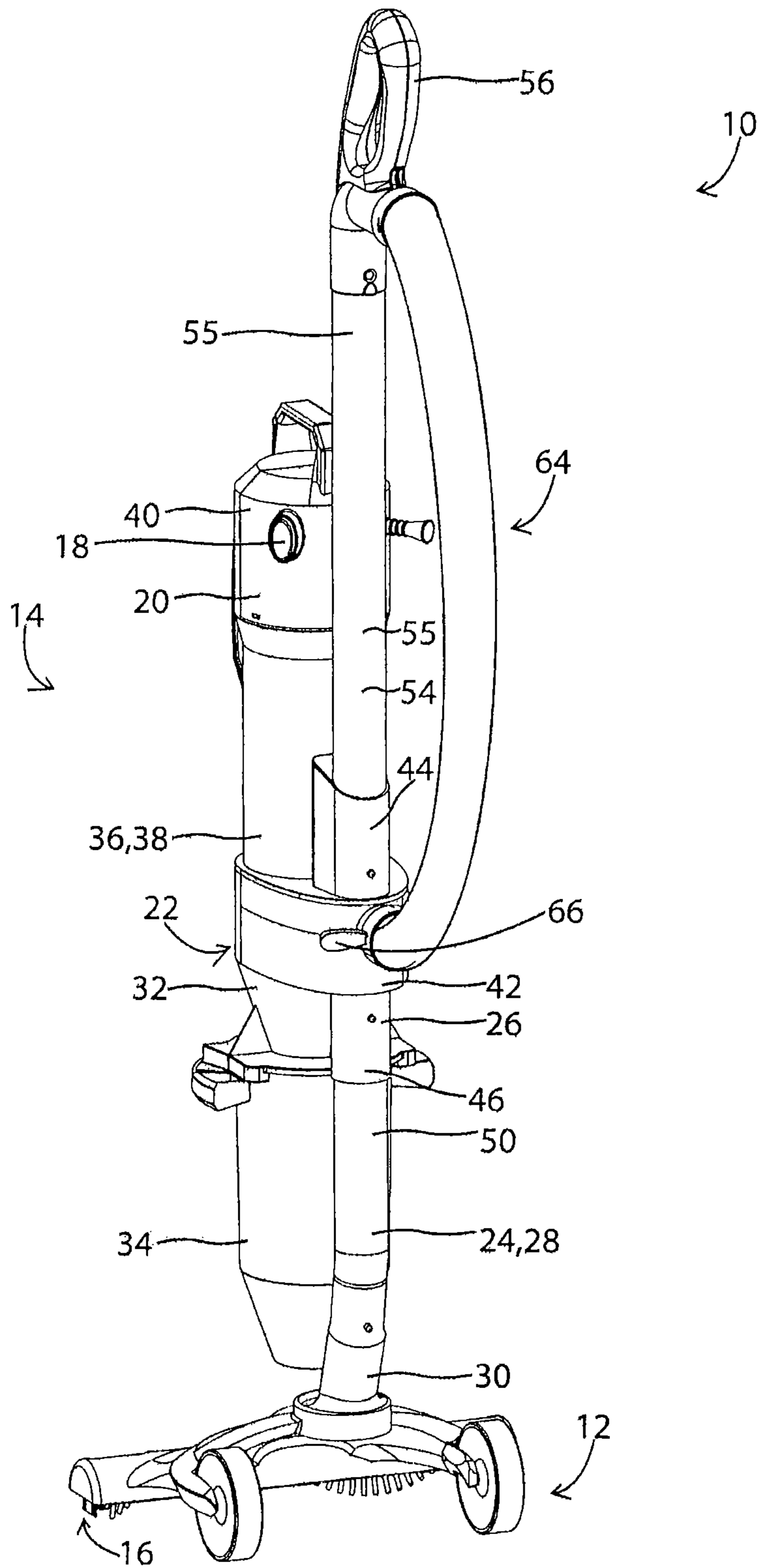


Fig. 24

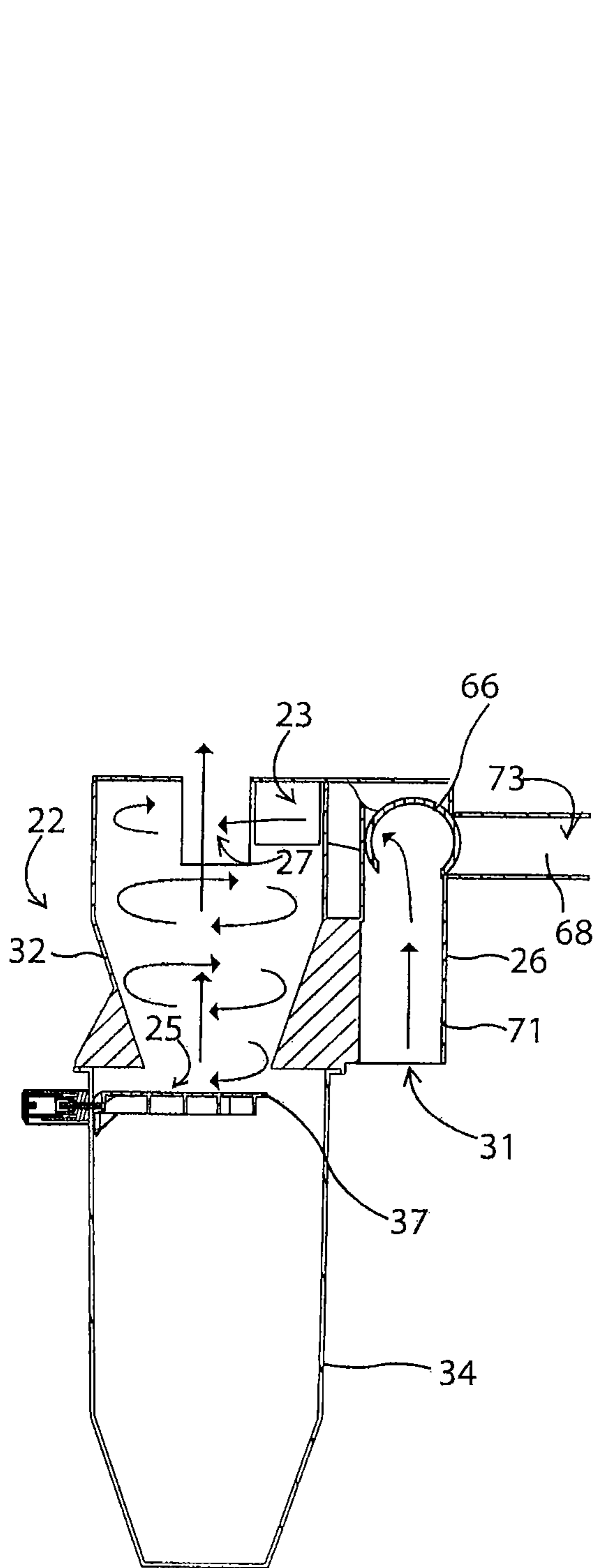


Fig. 25

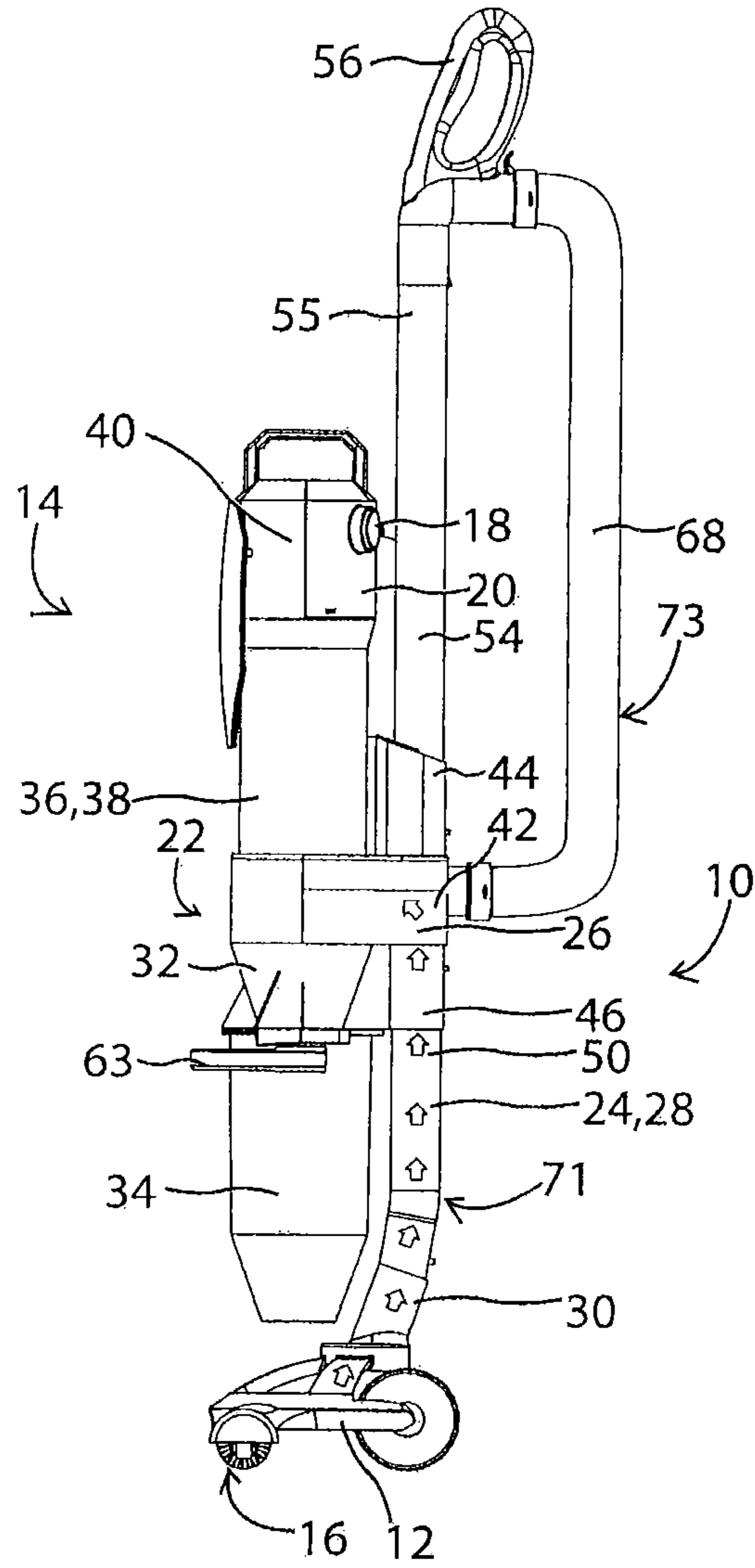
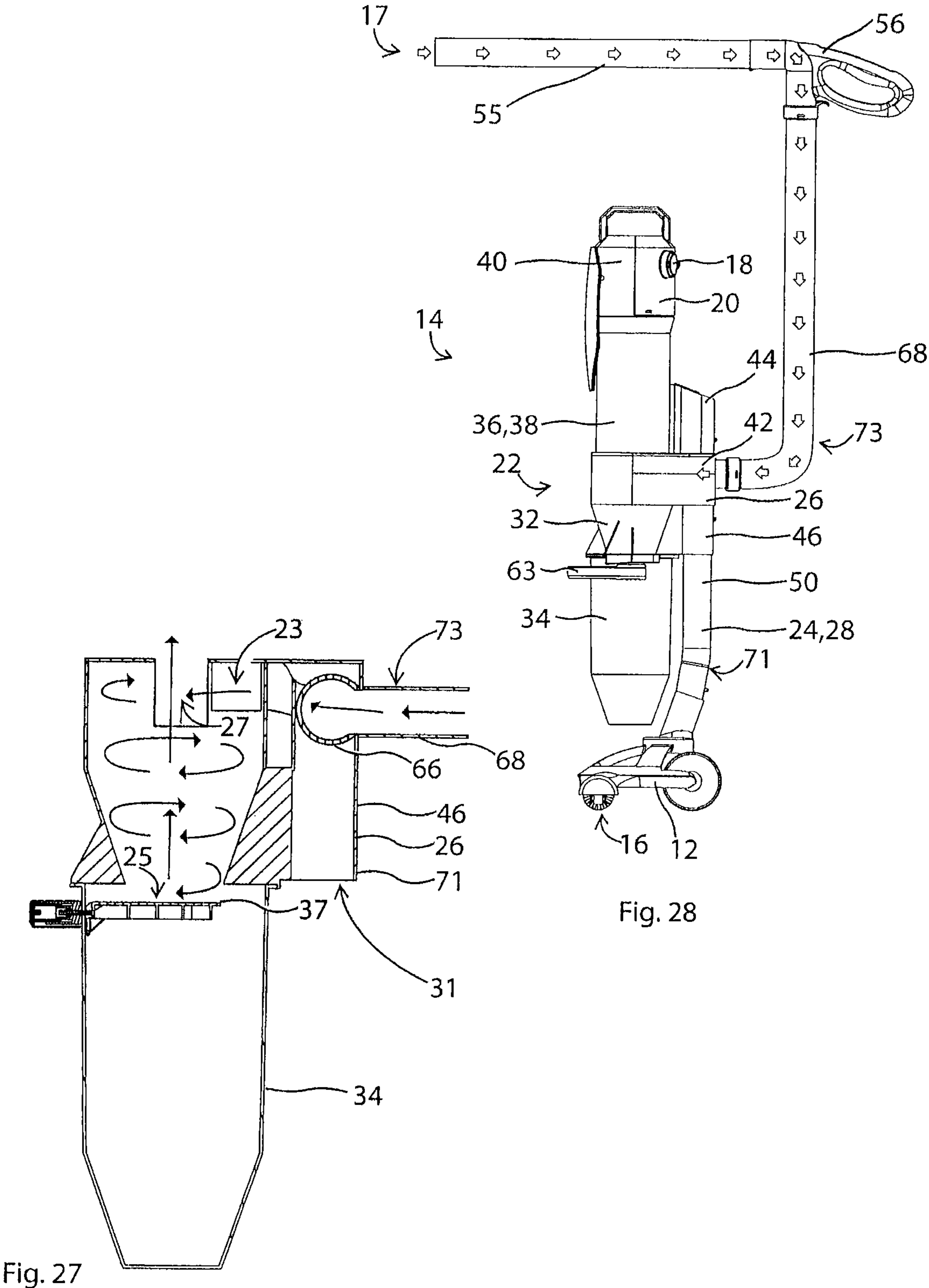


Fig. 26



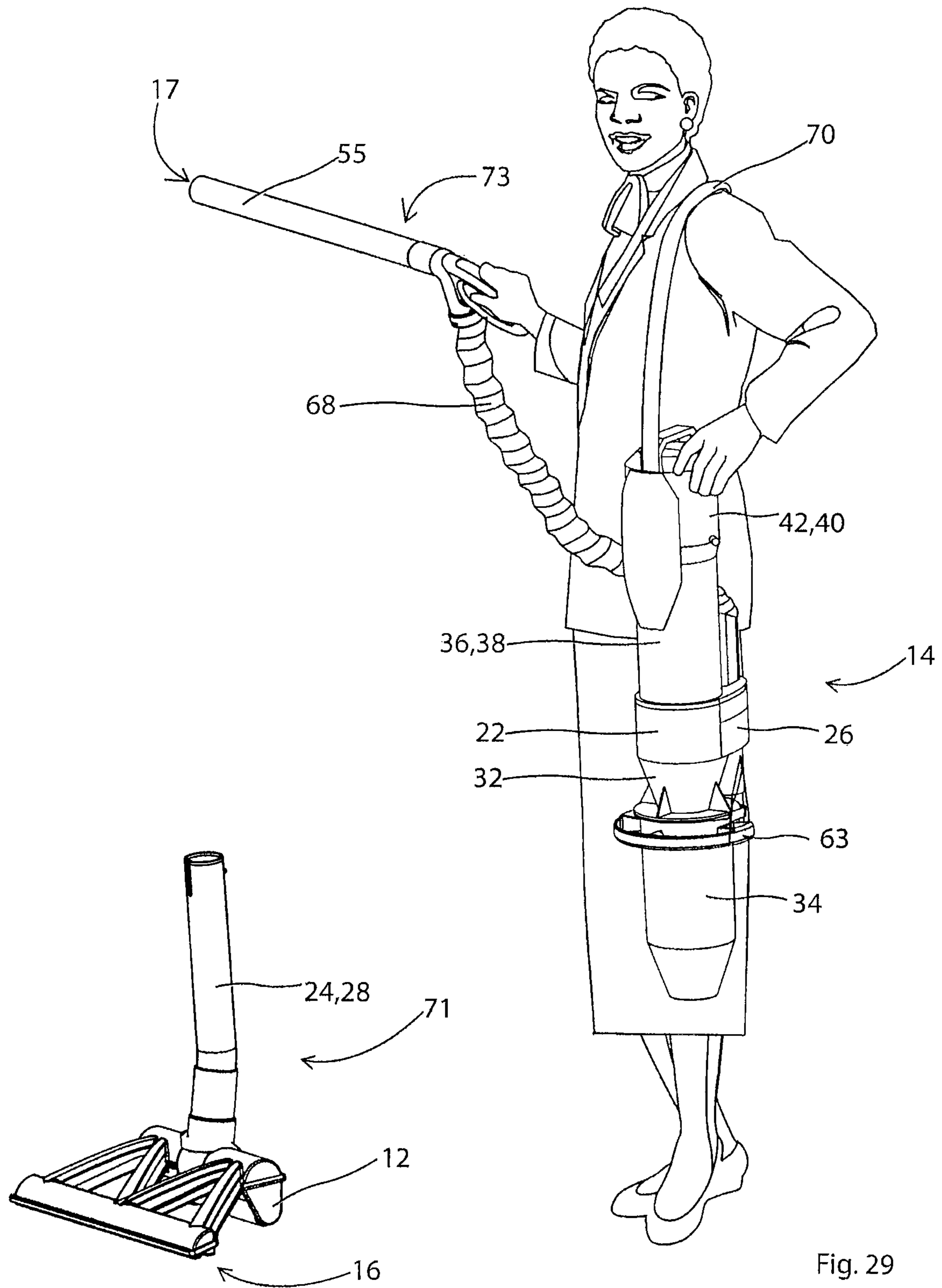


Fig. 29

1**UPRIGHT VACUUM CLEANER****CROSS REFERENCE TO RELATED
APPLICATIONS**

This invention is a continuation of U.S. patent application Ser. No. 15/046,895, filed on Feb. 18, 2016, that is currently allowed, which itself is a continuation of Ser. No. 14/036,818, which issued as U.S. Pat. No. 9,301,662 on Apr. 5, 2016, which itself is a continuation of Ser. No. 13/396,918 filed on Feb. 15, 2012, now U.S. Pat. No. 8,567,006, which is a continuation of U.S. patent application Ser. No. 11/954,310 filed on Dec. 12, 2007, now U.S. Pat. No. 8,166,607, which claims priority from U.S. Provisional patent application 60/869,586, filed on Dec. 12, 2006, each of which is incorporated herein by reference in its entirety.

FIELD OF THE INVENTION

The invention relates to a surface cleaning apparatus. More specifically, the invention relates to an upright surface cleaning apparatus that includes a mounting member to which one or more components of an upper section are mounted.

BACKGROUND OF THE INVENTION

Upright cyclonic vacuum cleaners are known in the art. Typical upright cyclonic vacuum cleaners include an upper section, including the cyclone assembly, mounted to a surface cleaning head. An upflow conduit is typically provided between the surface cleaning head and the upper section. In some such vacuum cleaners, a spine or backbone extends between the surface cleaning head and the upper section for supporting the upper section. In other vacuum cleaners, a spine or backbone is not provided, and the upflow conduit supports the upper section. For example, U.S. Pat. No. 1,759,947 to Lee describes an upright cyclonic vacuum cleaner wherein the upper section includes a single cyclone. A conduit extends from the surface cleaning head into the bottom of the cyclone and upwards towards the top of the cyclone. Air exits the conduit at the top portion of the cyclone. Another upright cyclonic vacuum cleaner is disclosed in U.S. Pat. No. 6,334,234 to Conrad. In the cleaner, the upper section includes a first cyclonic cleaning stage comprising a single cyclone, and a second cyclonic cleaning stage comprising a plurality of cyclones mounted above the first cyclonic cleaning stage. A conduit extends from the surface cleaning head through the bottom of the first cyclone and upwards toward the top of the first cyclone.

SUMMARY OF THE INVENTION

In accordance with one broad aspect, an upright surface cleaning apparatus is provided. The upright surface cleaning apparatus has a first cyclonic cleaning stage and comprises a surface cleaning head having a dirty fluid inlet. A fluid flow path extends from the dirty fluid inlet to a clean air outlet of the upright surface cleaning apparatus. A support member is mounted to the surface cleaning head, and a mounting member mounted to the support member. At least two operating components of the upright surface cleaning apparatus, including a cleaning stage, are mounted directly or indirectly to the mounting member. A suction motor is provided in the fluid flow path downstream of the cleaning stage. According to this aspect, the mounting member, which preferably has an air flow conduit therethrough, may

2

be used as a hub to which operating components, e.g., one or more of a cyclone casing, a filter casing and a motor casings, are attached.

Embodiments in accordance with this broad aspect may be advantageous because various components, such as the suction motor and/or the cleaning stage may be relatively easily removed from the surface cleaning apparatus, and therefore may be easily repaired or cleaned.

In some embodiments, the support member comprises an airflow duct forming part of the fluid flow path. In some other embodiments, the airflow duct is an up flow duct and the mounting member has an airflow passage therethrough in air flow communication with the first cyclonic cleaning stage.

In some embodiments, the cleaning stage comprises a cyclonic cleaning stage and another of the operating components comprises the suction motor.

In some embodiments, the cleaning stage comprises a cyclonic cleaning stage, another of the operating components comprises the suction motor, and the suction motor is mounted above the cyclonic cleaning stage. In some further embodiments, the cyclonic cleaning stage comprises a cyclone housing that is mounted directly or indirectly to the mounting member, a filter is positioned downstream to the cyclonic cleaning stage and the suction motor is mounted to a housing in which the filter is located. In some such embodiments, the filter is provided in the cyclone housing and the suction motor is mounted to the cyclone housing. In other such embodiments, the filter is provided in a filter housing that is mounted to the cyclone housing and the suction motor is mounted to the filter member.

In some embodiments, at least one of the operating components is removably mounted to the mounting member.

In some embodiments, the mounting member includes an air flow valve.

In some embodiments, the apparatus further comprises an above floor cleaning wand mounted to the mounting member or an operating component mounted to thereto.

In some embodiments, the upright surface cleaning apparatus comprises an upper portion comprising the suction motor and the cleaning stage and the upper portion is removably mounted to the surface cleaning head and usable as a portable surface cleaning apparatus.

In some embodiments, the cleaning stage comprises a first cyclonic cleaning stage and additional operating components comprise a second cyclonic cleaning stage and the suction motor. In some further embodiments, at least two of the first cyclonic cleaning stage, the second cyclonic cleaning stage and the suction motor are mounted directly to the mounting member. In yet further embodiments, the first cyclonic cleaning stage has a longitudinally extending outer surface and the outer surface is visible except for a portion facing the support member.

In some embodiments, the support member comprises an air flow duct forming part of the fluid flow path.

In accordance with another broad alternate aspect, an upright surface cleaning apparatus is provided. The upright surface cleaning apparatus comprises a surface cleaning head having a first dirty fluid inlet. The upright surface cleaning apparatus further comprises an above floor cleaning wand having a second dirty fluid inlet. An upright section is pivotally mounted to the surface cleaning head and comprises a support member and a first cyclonic cleaning stage selectively connectable in fluid flow communication with the first dirty fluid inlet and the second dirty fluid inlet. The first cyclonic cleaning stage has a longitudinally extending outer surface and the outer surface is visible except for a

3

portion facing the support member. Air flow passages from each of the first and second dirty fluid inlets merge at a position proximate the inlet of the first cyclonic cleaning stage. A suction motor is positioned downstream from the first cyclonic cleaning stage. Such a design may be optionally used with a mounting member.

In some embodiments, the suction motor is mounted on the upright section. In some embodiments, the suction motor is mounted above the first cyclonic cleaning stage.

In some embodiments, the support member is an up flow duct in a fluid flow path from the first dirty fluid inlet to the first cyclonic cleaning stage.

In some embodiments, the first cyclonic cleaning stage is removably mounted to the upper section.

In some embodiments, the first cyclonic cleaning stage comprises at least one collection chamber and the collection chamber is removably mounted to the first cyclonic cleaning stage.

In some embodiments, the support member comprises an up flow duct in a fluid flow path from the first dirty fluid inlet to the first cyclonic cleaning stage and the first cyclonic cleaning stage is mounted directly or indirectly to the upflow duct. In some such embodiments, the suction motor is mounted directly or indirectly to the upflow duct.

In some embodiments, the support member comprises an up flow duct in a fluid flow path from the first dirty fluid inlet to the first cyclonic cleaning stage and the first cyclonic cleaning stage, a second cyclonic cleaning stage and the suction motor are mounted directly to the upflow duct or a component mounted to the upflow duct.

In some embodiments, the apparatus further comprises a cleaning and suction unit removably mounted to the surface cleaning apparatus and usable as a portable surface cleaning apparatus, the cleaning and suction unit comprising the suction motor, the first cyclonic cleaning stage and the above floor cleaning wand.

In some embodiments, the support member is an up flow duct in a fluid flow path from the first dirty fluid inlet to the first cyclonic cleaning stage and the cleaning and suction unit removably mounted to the upflow duct.

In accordance with another alternate broad aspect, an upright surface cleaning apparatus is provided. The upright surface cleaning apparatus comprises a surface cleaning head having a first dirty fluid inlet. The upright surface cleaning apparatus further comprises an above floor cleaning wand having a second dirty fluid inlet. An upright section is pivotally mounted to the surface cleaning head and comprises a cleaning and suction unit removably mounted to the surface cleaning apparatus and usable as a portable surface cleaning apparatus. The cleaning and suction unit comprises a suction motor, a first cyclonic cleaning stage, and the above floor cleaning wand. The first cyclonic cleaning stage is selectively connectable in fluid flow communication with the first dirty fluid inlet and the second dirty fluid inlet. The first cyclonic cleaning stage has a longitudinally extending outer surface and the outer surface is visible except for a portion facing the support member. Such a design may be optionally used with by itself or with one or both of either of the forgoing aspects.

In some embodiments, the upright section is pivotally mounted to the surface cleaning head by a support member that is an up flow duct in a fluid flow path from the first dirty fluid inlet to the first cyclonic cleaning stage.

In some embodiments, the first cyclonic cleaning stage is removably mounted to the cleaning and suction unit.

4

In some embodiments, the first cyclonic cleaning stage comprises at least one collection chamber and the collection chamber is removably mounted to the first cyclonic cleaning stage.

In some embodiments, the upright section is pivotally mounted to the surface cleaning head by a support member that comprises an up flow duct in a fluid flow path from the first dirty fluid inlet to the first cyclonic cleaning stage, and the first cyclonic cleaning stage, a second cyclonic cleaning stage and the suction motor are mounted directly to the upflow duct or a component mounted to the upflow duct.

BRIEF DESCRIPTION OF THE DRAWINGS

These and other advantages of the instant invention will be more fully and completely understood in accordance with the following drawings of the preferred embodiments of the vacuum cleaner in which:

FIG. 1 is a perspective view of an upright vacuum cleaner according to a first embodiment of the instant invention;

FIG. 2 is a front elevational view of the vacuum cleaner of FIG. 1;

FIG. 3 is a rear elevational view of the upright vacuum cleaner of FIG. 1;

FIG. 4 is a top plan view of the upright vacuum cleaner of FIG. 1;

FIG. 5 is a side elevational view of the upright vacuum cleaner of FIG. 1;

FIG. 6 is an exploded view of the upright vacuum cleaner of FIG. 1;

FIG. 7 is an exploded view of an alternate embodiment of the vacuum cleaner of FIG. 1;

FIG. 8 is an exploded view showing a plurality of different components which are interchangeable and may be utilized to custom design different vacuum cleaners using common components;

FIG. 9 is a perspective view of an alternate embodiment of a vacuum cleaner which may be constructed using the components of FIG. 8;

FIG. 10 is a further alternate embodiment of a vacuum cleaner which may be constructed using the components of FIG. 8;

FIG. 11 is a further alternate embodiment of a vacuum cleaner which may be constructed using the components of FIG. 8;

FIG. 12 is a further alternate embodiment of a vacuum cleaner which may be constructed using the components of FIG. 8;

FIG. 13 is a side elevational view of the vacuum cleaner of FIG. 1 wherein the dirt chamber is slidably mountable on the cyclone housing and separately removable from the vacuum cleaner;

FIG. 14 is a perspective view of FIG. 13;

FIG. 15 is a longitudinal section through the upper casing of the vacuum cleaner of FIG. 13;

FIG. 16 is a top plan view of the dirt chamber of FIG. 13 with the separation plate shown in the horizontal position;

FIG. 17 is a top plan view of the dirt chamber of FIG. 13 with the separation plate shown in a raised position;

FIG. 18 is a cross section through the cyclone housing and dirt chamber shown in FIG. 15 with the air flow pattern shown therein;

FIG. 19 is a cross section through an alternate cyclone housing and dirt chamber showing the air flow pattern therein;

5

FIG. 20 is a partial longitudinal sectional view through a rotatably mounted brush for a surface cleaning head wherein the brush drive motor is mounted internally inside the rotatably mounted brush;

FIG. 21a is an exploded view of a cyclone housing showing an iris for the outlet of the cyclone chamber in a first position;

FIG. 21b is an exploded view of the cyclone housing and dirt chamber of FIG. 24a showing the iris in a second position;

FIG. 22a is a cross section through an alternate cyclone housing and dirt chamber showing an adjustable height plate at a first position;

FIG. 22b is a cross section through the same cyclone housing and dirt chamber as in FIG. 22a wherein the plate has been adjusted to be closer to the dirt outlet of the cyclone;

FIG. 22c is a perspective view of the cyclone housing of FIG. 25a with the cyclone chamber removed;

FIG. 22d is a perspective view from above of the cyclone housing of FIG. 22c;

FIG. 22e is a perspective view of the cyclone housing of FIG. 25 with the separation plate removed;

FIG. 23 is a cross section through an alternate cyclone housing and dirt chamber wherein the configuration of the plate is adjustable;

FIG. 24 is a perspective view of an upright vacuum cleaner in accordance with a further alternate embodiment of the instant invention wherein a valve is provided for adjusting the vacuum cleaner from a floor cleaning mode to above floor cleaning mode;

FIG. 25 is a cross section through the cyclone housing and dirt chamber of the vacuum cleaner of FIG. 24 wherein the vacuum cleaner is in the floor cleaning mode;

FIG. 26 is a side elevational view of the vacuum cleaner of FIG. 25 in partial section showing the air flow from the surface cleaning head to the cyclone inlet;

FIG. 27 is a cross section through the cyclone housing and dirt chamber of the vacuum cleaner of FIG. 26 wherein the vacuum cleaner is in the above floor cleaning mode;

FIG. 28 is a side elevational view of the vacuum cleaner of FIG. 29 showing the air flow from the inlet of the cleaning wand to the cyclone inlet;

FIG. 29 is a perspective view of a vacuum cleaner in accordance with another embodiment of the instant invention having a shoulder strap and wherein the upper section has been removed from the cleaning head and handle extension and is used in the above floor-cleaning mode.

DETAILED DESCRIPTION OF THE INVENTION

Referring to FIGS. 1-5 an embodiment of a surface cleaning apparatus 10 of the present invention is shown. Surface cleaning apparatus 10 is an upright vacuum cleaner, and comprises a surface cleaning head 12 and an upper section 14. A dirty fluid inlet 16 is provided in the surface cleaning head 12, and a fluid flow path extends from the dirty fluid inlet 16 to a clean air outlet 18 of the surface cleaning apparatus 10. The fluid flow path includes a suction motor 20 and at least one cleaning stage 22. In the embodiments shown, a support member or spine 24 is mounted to the surface cleaning head 12, and a mounting member 26 is mounted to the support member. At least two operating components of the surface cleaning apparatus 10 are mounted directly or indirectly to the mounting member.

6

Accordingly, the support member supports the upper section 14 on the surface cleaning head 12.

In the embodiments shown, fluid enters surface cleaning head via dirty fluid inlet 16 in surface cleaning head 12, and is directed upwards into the at least one cleaning stage via an upflow duct 28. In some embodiments, as shown, support member 24 comprises upflow duct 28. That is, support member 24 provides fluid communication between surface cleaning head 12 and upper section 14. In other embodiments, upflow duct 28 may be a separate member. For example, upflow duct 28 may be a conduit that is affixed to support member 24. In the embodiments shown, support member 24 is pivotally mounted to surface cleaning head 12 via a pivoting connector 30. Accordingly, upper section 14 is pivotally mounted to surface cleaning head 12.

In the embodiments shown, support member 24 extends upwardly towards mounting member 26. Mounting member 26 serves as a support to which at least two operating components of the upright surface cleaning apparatus 10 are mounted. In the preferred embodiment, cleaning stage 22 is directly or indirectly mounted to mounting member 26, as will be described further hereinbelow. In a further preferred embodiment, cleaning stage 22 and suction motor 20 are directly or indirectly mounted to mounting member 26. In other embodiments, other operating components, such as a filter assembly or another cleaning stage, may be mounted to mounting member 26. In some embodiments, mounting member 26 may be integrally formed with support member 24. In other embodiments, as shown in FIGS. 21-22, mounting member 26 may be integrally formed a component of upper section 14, for example cyclonic cleaning stage 22. In other embodiments, mounting member 26 may be a separate member. As exemplified, mounting member may have a fluid flow path therethrough (see for example FIG. 7) or it may not include a fluid flow path therethrough.

In embodiments wherein support 24 comprises upflow duct 28, mounting member 26 may further serve to connect support 24 in fluid communication with cyclonic cleaning stage 22. That is, mounting member 26 may comprise an airflow passage 31 (shown in FIGS. 7, 8, 21-22, and 23-28). In alternate embodiments (not shown), a mounting member may not be provided, and support 24 may be mounted directly to cyclonic cleaning stage 22. In further alternate embodiments, wherein upflow duct 28 is a separate member, a mounting member may not be provided, and upflow duct 28 and support 24 may be mounted directly to cyclonic cleaning stage 22.

In the embodiments shown, air passes from support 24, into mounting member 26, and from mounting member 26 into cleaning stage 22. In the embodiments shown, cleaning stage 22 is a single cyclonic cleaning stage 22, which is provided in cyclone housing 32 having a longitudinally extending outer surface. In some embodiments, housing 32 is transparent or translucent, such that a user may view the interior thereof. Air enters cyclonic cleaning stage 22 via inlet 23, which, in the embodiments shown is provided in an upper part of cyclonic cleaning stage 22. In some embodiments, prior to entering inlet 23, the air may be directed along the exterior of cyclonic cleaning stage 22, such that air enters cyclonic cleaning stage 22 in a tangential direction. For example, as can be seen in FIG. 5, mounting member 26 comprises a portion 29 extending along cyclonic cleaning stage 22. In alternate embodiments, wherein a mounting member is not provided, a portion of upflow duct 28 may extend externally along cyclonic cleaning stage 22 towards inlet 23. In cyclonic cleaning stage 22, dirt is separated from

air, and passes through outlet 35 into dirt chamber 34, which is provided below cyclonic cleaning stage 18.

In some embodiments, a plate 37 may be positioned adjacent outlet 25. It will be appreciated that plate 37 may be positioned at any height in dirt chamber 34. Preferably, plate 37 is positioned proximate the top of dirt chamber 34 and proximate dirt outlet 25 from cyclone housing 32. Accordingly, as shown in FIG. 15, essentially the entire volume of dirt chamber 34 is available to function as dirt collection chamber 34. Preferably, plate 37 is positioned inwards from an inner wall of dirt collection chamber 34, except for the portion of the inner wall to which plate 37 may be attached, so as to define an annular gap between the outer wall of plate 37 and the inner wall of dirt chamber 34. Preferably, the minimum distance between plate 37 and cyclone housing 32 or dirt chamber 34, is at least as large as the largest dimension of the cyclone inlet 23. For example, if the cyclone inlet 23 has a 1 inch diameter, then the minimum distance between plate 37 and cyclone housing 32 or dirt chamber 34 is preferably is 1 inch or larger. An advantage of such a design is that any dirt particle that enters the cyclone housing 32 will be able to pass through the gap into dirt collection chamber 34. The distance between the top of plate 37 and the bottom of the cyclone housing may be 0.01-2.5 inches and is preferably at least the largest diameter of the cyclone inlet.

In some embodiments, the plate 37 may be removable with dirt chamber 34 from surface cleaning apparatus 10, as will be described further hereinbelow (see for example the embodiment of FIG. 6). An advantage of this design is that plate 37 defines a partial cover for the dirt collection chamber 34. Alternately, as shown in the embodiment of FIG. 7, plate 37 may remain in position when dirt chamber 34 is removed. In such an embodiment, plate 34 is preferably attached to the bottom of cyclone housing 32.

In a particularly preferred embodiment, as exemplified in FIGS. 16 and 17, plate 37 is pivotally mounted to the inner wall of cyclone chamber 34. Accordingly, plate 37 may be in the horizontal or closed position shown in FIG. 16 when surface cleaning apparatus 10 is in use and when dirt chamber 34 is removed from the vacuum cleaner. When dirt collection chamber 34 is inverted for emptying, plate 37 may pivot to an open position (as exemplified in FIG. 17) due to gravity. If plate 37 is pivotally mounted to the inner wall of chamber 34, then the annular gap is preferably at least one inch. Such a configuration permits plate 37 to pivot open to permit dirt to be emptied out of chamber 34 when chamber 34 is inverted.

In some embodiments, plate 37 may have the same diameter as the cyclone dirt outlet 25. Accordingly, if the cyclone housing 32 is cylindrical, then the diameter of plate 37 may be the same as the diameter of the cyclone. Alternately, as shown in FIG. 19, if the cyclone is conical, plate 37 may have the same diameter as the outlet 25 of cyclone housing 34. Alternately, plate 37 may have a larger diameter, as shown in FIG. 18. It will be appreciated that if the cyclone is conical, then plate 37 may have a diameter that is equal to the projected diameter of an end of the cone that is projected to the top of plate 37.

Referring back to FIGS. 1-5, surface cleaning apparatus 10 further comprises a filter assembly 36 provided downstream from cleaning stage 22. In the embodiments shown, filter assembly 36 is housed in filter housing 38. In alternate embodiments (not shown), filter assembly may be provided in the cyclone housing 32. From cyclonic cleaning stage 22, air passes out of outlet 27 upwardly and through filter assembly 36. The air exits filter assembly 36 and is directed

to motor 20, which is housed in housing 40. In the embodiments shown, motor 20 is provided on upper section 14, adjacent and above filter assembly 36. In alternate embodiments, motor 20 may be provided in cleaning head 12. In either embodiment, motor 20 is provided downstream from the cleaning stage 22. Accordingly, a downflow duct may be provided between upper section 14 and surface cleaning head 12. In some embodiments, support member 24 may comprise the downflow duct. In other embodiments, the downflow duct may be a separate member.

In alternate embodiments, cleaning unit may be otherwise configured. For example, upper section 14 may comprise a second cleaning stage (not shown) positioned above cleaning stage 22 and including a plurality of cyclones in parallel. furthermore, in some embodiments, cleaning unit may comprise no filter assemblies, or more than one filter assembly.

As previously mentioned, in one optional aspect a mounting member 26 serves to provide a support to which operating components, preferably at least two operating components, of the upright surface cleaning apparatus are directly or indirectly mounted. In the preferred embodiment, one of the operating components comprises cleaning stage 22. In a further preferred embodiment, the other of the operating components comprises suction motor 20. Preferably, suction motor 20 and/or cleaning stage 22 are removably mounted to mounting member 26. In some embodiments, mounting member 26 further serves to connect upflow duct 28 in fluid communication with cyclonic cleaning stage 22. It will be appreciated that, in accordance with this aspect, any construction may be used for the operating components. For example, any cyclonic cleaning stage or stages and/or any filtration member known in the surface cleaning art may be used.

Referring to FIGS. 6 and 7, in the embodiments shown, mounting member 26 comprises a body 42 having an upper portion 44 and a lower portion 46. Lower portion 46 defines an opening 48 for receiving an upper end 50 of support member 24. Upper end 50 of support member 24 may be securely mounted in opening 48 by any means, such as by an adhesive, a friction fit, a set screw or the like. In embodiments wherein support member 24 comprises upflow duct 28, opening 48 may be in fluid communication with a cyclone chamber inlet 23. In the embodiment shown, the upper portion 44 of mounting member 24 comprises a second opening 52. Second opening 52 receives a lower end 54 of a handle extension 55, which supports handle 56. Lower end 54 may be secured in second opening 52 by any means known in the art.

Mounting member 26 further comprises a portion 57 for receiving one or more operating components of surface cleaning apparatus 10. For example, as shown in FIG. 7, mounting member 26 is provided with a securing ring 58. Securing ring 58 provides a member to which one or more operating components may be mounted, preferably removably mounted. For example, in the embodiments shown in FIGS. 1-14, upper section 14 may be assembled by positioning filter housing 38 above securing ring 58, and positioning cleaning stage housing 32 below ring 58. Filter housing 38 and cleaning stage housing 32 may then be secured together, preferably removably secured together, for example by using screws, a bayonet mount, or a screw thread. In alternate embodiments, filter housing 38 and cleaning stage 32 may be permanently secured together, for example by using an adhesive or welding.

Motor housing 40 may then be mounted to filter housing 38, for example by using by using screws, a bayonet mount, a screw thread, or an adhesive or welding. Preferably motor

housing 40 is removably mounted to filter housing 38. Additionally, dirt chamber 34 may be mounted, preferably removably mounted, to cleaning stage 22. Accordingly, in this embodiment, the first cleaning stage 22 is directly mounted to mounting member 26, and motor 20 is indirectly mounted to mounting member 26.

In other embodiments, operating components of surface cleaning apparatus 10 may be mounted to mounting member 26 in another manner. For example, in one embodiment (not shown), mounting member 26 may comprise a bracket to which filter housing 38 may be mounted, for example by using screws. Cleaning stage housing 32 may then be mounted to filter housing, without contacting mounting member 26. Dirt chamber 34 may then be mounted to cleaning stage housing 32, and motor housing 40 may be mounted above filter housing 38. Accordingly, in this embodiment, both of first cleaning stage 22 and motor 20 are indirectly mounted to mounting member 26.

In another embodiment (not shown), motor housing 40 may be positioned above securing ring 58, and filter housing 38 may be positioned below securing ring 58, and motor housing 40 and filter housing 38 may be secured together, for example using screws. Cleaning stage housing 32 may then be mounted below filter housing 38, for example using screws, and dirt chamber 34 may be mounted below dirt chamber 34. Accordingly, in this embodiment, motor 20 is directly mounted to mounting member 26, and cleaning stage housing 22 is indirectly mounted to mounting member 26. In other embodiments, as previously mentioned, motor 20 may be provided on surface cleaning head 12. Accordingly, in such embodiments, motor 20 may not be mounted to mounting member 26 at all.

In yet another embodiment, a second cleaning stage (not shown) may be provided, and may be positioned above securing ring 58. First cleaning stage 22 may be positioned below securing ring 58, and may be secured to the second cleaning stage.

It will be appreciated that, in alternate embodiments, upper section 14 may have the units arranged in a different order. For example, motor housing 40 need not be provided on top of filtration housing 38. Instead, motor housing 40 could be provided beneath dirt chamber 34.

In the above embodiments, dirt chamber 34 is preferably removably mounted to cleaning stage 22, such that a user may empty dirt chamber 34. For example, referring to FIGS. 13 and 14, cleaning stage housing 32 comprises flanges 61 at a lower end thereof which provide slots 60. Dirt chamber 34 comprises a rim 62, which may be slidably received in slots 60. Dirt chamber 34 further comprises a handle 63, for gripping dirt chamber 34. In some embodiments, plate 37 may be removable with dirt chamber 34 from surface cleaning apparatus 10 (see for example the embodiment of FIG. 6). An advantage of this design is that plate 37 defines a partial cover for the dirt collection chamber. Alternately, as shown in the embodiment of FIG. 7, plate 37 may remain in position when dirt chamber 34 is removed.

One advantage of the embodiments described above is that the volume of the upright vacuum cleaner may be reduced. In particular, in the embodiments shown, a housing is not provided for receiving upper section 14. That is, the outer surfaces of one or more of cleaning stage 22, motor housing 40, filter housing 38, and dirt chamber 34 may be visible when surface cleaning apparatus is in use (except for the portions facing support member 24, handle extension 55, and/or the upflow duct). Accordingly, the overall volume of the vacuum cleaner is reduced. In addition, the weight of the vacuum cleaner is also substantially reduced. In particular,

the amount of plastic that is typically used to construct an upper casing of a cyclonic vacuum cleaner that receives a removable cyclone chamber or dirt chamber substantially increases the weight of the vacuum cleaner. In the embodiments shown, surface cleaning apparatus 10 may weigh 10 lbs. or less (without the cord) and, preferably less than 8 lbs.

A further advantage of the embodiments shown is that, if the elements of upper section 14 are removably mounted to each other and to mounting member 26, the upper section 14 may be easily disassembled for cleaning. In addition, if a component needs to be replaced, the user may merely acquire the required component (e.g. by purchasing it at a store or on line) and replace the faulty component. For example, if motor 20 fails, pursuant to a warranty plan, the manufacturer may merely ship the required motor housing 40 and motor 20 to the customer who may remove (e.g., unscrew) the motor housing 40 having the faulty suction motor 20 and replace it with the new replacement part.

A further advantage of this design is that filter assembly 36 may be accessed for removal (for cleaning or replacement) by disassembling a portion of upper section 14. For example, in the embodiments of FIGS. 6 and 7, filter assembly 36 may be accessed by removing motor housing 40 from upper section 14. Accordingly, a door or the like is not required in filter housing 38, thereby simplifying the construction of filter housing 38.

A further advantage of this modular construction is that alternate vacuum cleaners may be created by selecting alternate components for upper section 14 and/or alternate surface cleaning heads 12. For example, referring to FIG. 8, a plurality of upright vacuum cleaners may be designed by utilizing alternate motor housings 40, 40', cleaning stage housings 32, 32', dirt chambers 34, 34', and surface cleaning heads 12, 12'.

In some embodiments, a plurality of different motor casings 40, cleaning stage housings 32, dirt chambers 34, and cleaning heads 12 are provided. In addition, a plurality of handles 56 may be provided. Accordingly, a plurality of vacuum cleaners having a different appearance may be prepared by selecting particular components. For example, as shown in FIG. 9, surface cleaning apparatus 10 utilizes the same components as the vacuum cleaner of FIG. 1 except that a different dirt chamber 34 and a different surface cleaning head 12 are utilized. Accordingly, surface cleaning apparatus 10 has a different appearance. Similarly, with respect to FIG. 10, a different motor housing 40 and surface cleaning head 12 are utilized to create a vacuum cleaner of a different appearance to that of FIG. 1.

In accordance with another aspect of this invention, which may be use by itself or with any other aspect, an above floor cleaning assembly 64 is provided (see for example FIG. 11). In this embodiment, surface cleaning apparatus 10 comprises first 16 and second 17 (shown in FIG. 28) dirty fluid inlets, which are selectively connectable in fluid flow communication with cleaning stage 22. Surface cleaning apparatus 10 may be converted from a floor cleaning mode (FIGS. 25 and 26) to an above floor cleaning mode (FIGS. 27, and 28) by rotating an airflow valve 66 provided in mounting member 26. In the floor cleaning mode, valve 66 connects upflow duct 28 to cyclone inlet 23 such that air travels from first dirty fluid inlet 16 in surface cleaning head 12 to cyclone inlet 23. When valve 66 is rotated to the other position, and handle extension 55 is removed from mounting member 26, air travels from second dirty fluid inlet 17 through handle extension 55, to flexible hose 68, and past valve 66 to cyclone inlet 23. Accordingly, in this embodiment, the first 16 and second 17 dirty fluid inlets are

11

respectively in flow communication with first **71** and second **73** airflow passages, which merge at a position proximate the inlet of the first cyclonic cleaning stage **22**. One advantage of this design is that a simplified structure for converting a surface cleaning apparatus **10** to an above cleaning mode is provided. In addition, as valve **66** is provided in mounting member **26**, and therefore a few feet above the floor, then a user need not bend down to rotate valve **66** between the floor cleaning position and the above floor cleaning position. In other embodiments, valve **66** may be affixed to the handle **56** or support member **24**.

In accordance with another aspect of this invention, which may be used by itself or with any other aspect or aspects, surface cleaning apparatus **10** is convertible to a portable surface cleaning apparatus. That is upper section **14** is convertible to a portable cleaning and suction unit. Referring to FIG. **29**, surface cleaning apparatus **10** is provided with a shoulder strap **70**. In order to convert the surface cleaning apparatus **10** to a portable surface cleaning apparatus, the user may unwind shoulder strap **70** and extend it across their shoulder. Upper section **14**, including mounting member **26**, may be removed from support member **24** by, for example, actuating a release catch which secures handle **56** in opening **52**, and lifting upper section **12** off of support member **24** using a handle on top of motor housing **40**. Accordingly, upper section **14** is converted to a portable cleaning and suction unit **14**.

In any of the above embodiments, as exemplified in FIG. **20**, surface-cleaning head **12** includes a rotatably mounted brush **74**. Rotatably mounted brush **74** includes a central hub **76** with a plurality of bristles **78** extending outwardly therefrom. In accordance with this aspect, it is preferred that central hub **76** is at least sufficiently hollow to receive brush drive motor **80** therein. Accordingly, if brush drive motor is non-rotatably mounted in central hub **76**, and if axles **82** are rotatably mounted in bearings in surface cleaning head **12**, then when brush drive motor **80** is engaged, the rotation of brush drive motor **80** will cause brush **74** to rotate. Brush drive motor may be non-rotatably mounted in hub **76** by, e.g., a friction fit, a set screw or an adhesive.

In some embodiments, the vacuum cleaner may be reconfigurable to adapt the vacuum cleaner to collect a different types of particulate matter. For example, it may be desirable to utilize the vacuum cleaner to collect dry wall dust. Accordingly, the vacuum cleaner may be reconfigurable in one of several ways. Referring to FIGS. **22a-22d**, according to one option, lever **84** is drivingly connected to plate **37** so as to adjust the position of plate **37** with respect to outlet **25**. Accordingly, if the vacuum cleaner is to be utilized to collect standard household dust including dog hair, then the lever **84** may be moved to a first position, which is better suited for collecting such material. However, if the vacuum cleaner is then going to be used to collect, for example, dry wall dust, the lever **84** may be used to a second position wherein plate **37** is at a distance from outlet **25** that is more suited for the collection of dry wall dust. In a particularly preferred embodiment, a scale or labeled positions may be provided on the outer surface of housing **32** to indicate the preferred position of lever **84** for different types of dust. Accordingly, in order to reconfigure surface cleaning apparatus **10** for a particular type of dirt, a user may merely move lever **84** to a pre-marked position. It will be appreciated that lever **84** may operate in a variety of ways, each of which is within the scope of this description. For example, lever **84** may be slidably mounted in a vertical direction so that as lever **84** is moved upwardly or downwardly, plate **37** is also moved upwardly or downwardly. Alternately, a gear or crank

12

mechanism may be utilized such that as lever **84** is moved sideways or rotated, the height of plate **37** is adjusted.

Alternately, it will be appreciated that plate **37** may be removably mounted, either to dirt chamber **34** or cyclone housing **32** (as exemplified in FIG. **22e**). Accordingly, a plate having a different configuration, e.g., convex as exemplified in FIG. **23**, may be selectively inserted. Alternately, as exemplified in FIG. **23**, a control **90** may be provided which, when actuated, will cause plate **37** to change its configuration. For example, a plurality of cables may extend underneath plate **37** and be connected to a take up reel, which is driven by rotation of control **90**. Accordingly, when control **90** is turned and draws the cable onto the reel, plate **37** will deform to a position shown in FIG. **26**. When control **90** is rotated in the opposite direction, the elasticity of plate **37** will cause it to revert to its original shape (e.g. flat).

In some embodiments, the size of dirt outlet **25** may be variable. For example, as shown in FIGS. **21a** and **21b**, an iris **86** may be provided. The size of the opening **25** defined by iris **86** may be controlled by adjustable lever **88**. The outer surface of cyclone housing **32** may have a scale provided thereon, or labeled positions defining the preferred position for lever **88** (and accordingly the size of opening of iris **86**) for different types of dirt.

While the above description provides examples of the embodiments, it will be appreciated that some features and/or functions of the described embodiments are susceptible to modification without departing from the spirit and principles of operation of the described embodiments. Accordingly, what has been described above has been intended to be illustrative of the invention and non-limiting and it will be understood by persons skilled in the art that other variants and modifications may be made without departing from the scope of the invention as defined in the claims appended hereto.

What is claimed is:

1. An upright surface cleaning apparatus that is operable in a floor cleaning mode and in an above floor cleaning mode, the surface cleaning apparatus comprising in the floor cleaning mode:

- (a) a surface cleaning head having a dirty fluid inlet;
- (b) a support member moveably mounted to the surface cleaning head;
- (c) a suction and filtration unit comprising a suction motor, at least one cleaning stage, a housing and a clean air outlet, the housing defining an inlet to the suction and filtration unit, the housing of the suction and filtration unit engages the support member;
- (d) a fluid flow path extending from the dirty fluid inlet to the clean air outlet and including the suction motor and the at least one cleaning stage;
- (e) an above floor cleaning wand has an inlet end that is removably received in the housing whereby the above floor cleaning wand is drivingly connected to the support member;
- (f) a hose having an inlet end that is downstream from the above floor cleaning wand and an outlet end that is upstream of the suction and filtration unit; and,
- (g) a handle drivingly connected to the above floor cleaning wand,

wherein the suction and filtration unit, the above floor cleaning wand and the hose are concurrently removable as a unit from the support member with the hose in fluid flow communication with the above floor cleaning wand and the suction and filtration unit, whereby in the above floor cleaning mode, the suction and filtration unit, the above floor cleaning wand and the

13

- hose have been removed from the support member, the inlet end of the above floor cleaning wand has been removed from the housing on the suction and filtration unit and the inlet end of the hose is downstream from the above floor cleaning wand and the outlet end of the hose is upstream of the suction and filtration unit, and wherein the suction and filtration unit has an upper portion having an upper portion height, a middle portion having a middle portion height and a lower portion having a lower portion height, and the upper portion height, the middle portion height and the lower portion height are approximately equal and, wherein the portion of the housing that engages the support member is located at the middle portion of the suction and filtration unit.
2. The upright surface cleaning apparatus of claim 1 wherein the support member comprises an up flow duct.
3. The upright surface cleaning apparatus of claim 2 wherein the support member is removably receivable in the housing.
4. The upright surface cleaning apparatus of claim 1 wherein the support member is removably receivable in the housing.
5. The upright surface cleaning apparatus of claim 1 wherein the inlet end of the hose is located adjacent the handle.
6. The upright surface cleaning apparatus of claim 1 wherein, when the suction and filtration unit is mounted to the support member and the support member extends generally vertically, the housing is located at an elevation of an inlet of the at least one cleaning stage.

14

7. The upright surface cleaning apparatus of claim 1 wherein, the housing includes an air flow passage extending between the hose and the inlet to the at least one cleaning stage wherein the air flow passage extends generally horizontally when the suction and filtration unit is mounted to the support member and the support member extends generally vertically.
8. The upright surface cleaning apparatus of claim 1 wherein, when the suction and filtration unit is mounted to the support member and the inlet end of the above floor cleaning wand is mounted to the housing, the above floor cleaning wand and the support member are vertically aligned.
9. The upright surface cleaning apparatus of claim 8 wherein, when the suction and filtration unit is mounted to the support member and the inlet end of the above floor cleaning wand is mounted to the housing, the hose is located rearward of the above floor cleaning wand.
10. The upright surface cleaning apparatus of claim 9 wherein the inlet end of the wand is removable from the housing when the suction and filtration unit is mounted to the support member.
11. The upright surface cleaning apparatus of claim 1 wherein, when the suction and filtration unit is mounted to the support member and the inlet end of the above floor cleaning wand is mounted to the housing, the hose is located rearward of the above floor cleaning wand.
12. The upright surface cleaning apparatus of claim 1 wherein the inlet end of the wand is removable from the housing when the suction and filtration unit is mounted to the support member.

* * * * *