



(12) **United States Patent**
Conrad et al.

(10) **Patent No.:** **US 10,765,279 B2**
(45) **Date of Patent:** **Sep. 8, 2020**

(54) **ROTATABLE BRUSH FOR SURFACE
CLEANING APPARATUS**

USPC 15/383
See application file for complete search history.

(71) Applicant: **Omachron Intellectual Property Inc.,**
Hampton (CA)

(56) **References Cited**

(72) Inventors: **Wayne Ernest Conrad,** Hampton
(CA); **Dave Petersen,** Bowmanville
(CA)

U.S. PATENT DOCUMENTS

(73) Assignee: **Omachron Intellectual Property Inc.,**
Hampton, Ontario (CA)

2,251,899 A * 8/1941 Smellie A47L 5/34
15/366
3,225,374 A * 12/1965 Daley A47L 11/4041
15/183

(*) Notice: Subject to any disclaimer, the term of this
patent is extended or adjusted under 35
U.S.C. 154(b) by 180 days.

3,649,984 A 3/1972 Kershaw et al.
4,426,751 A 1/1984 Nordeen
5,452,490 A 9/1995 Brundula et al.
6,108,853 A 8/2000 Dittus
7,159,276 B2 1/2007 Omoto et al.
D747,052 S 1/2016 Therrien
9,314,140 B2 4/2016 Eriksson

(Continued)

(21) Appl. No.: **15/939,660**

FOREIGN PATENT DOCUMENTS

(22) Filed: **Mar. 29, 2018**

CN 102240191 A 11/2011
EP 0992211 A2 4/2000

(65) **Prior Publication Data**

US 2019/0298125 A1 Oct. 3, 2019

(Continued)

(51) **Int. Cl.**

A47L 7/00 (2006.01)
A47L 11/40 (2006.01)
A47L 11/24 (2006.01)
A46B 13/00 (2006.01)
A46B 13/02 (2006.01)
A47L 9/04 (2006.01)
A46B 9/12 (2006.01)

OTHER PUBLICATIONS

Total Patent: English machine translation of the Abstract of
CN102240191, published on Nov. 16, 2011.

(Continued)

(52) **U.S. Cl.**

CPC **A47L 7/0066** (2013.01); **A46B 9/12**
(2013.01); **A46B 13/006** (2013.01); **A47L**
11/24 (2013.01); **A47L 11/4041** (2013.01);
A46B 13/02 (2013.01); **A47L 9/0477** (2013.01)

Primary Examiner — David Redding

(74) *Attorney, Agent, or Firm* — Philip C. Mendes da
Costa; Bereskin & Parr LLP S.E.N.C.R.L., s.r.l.

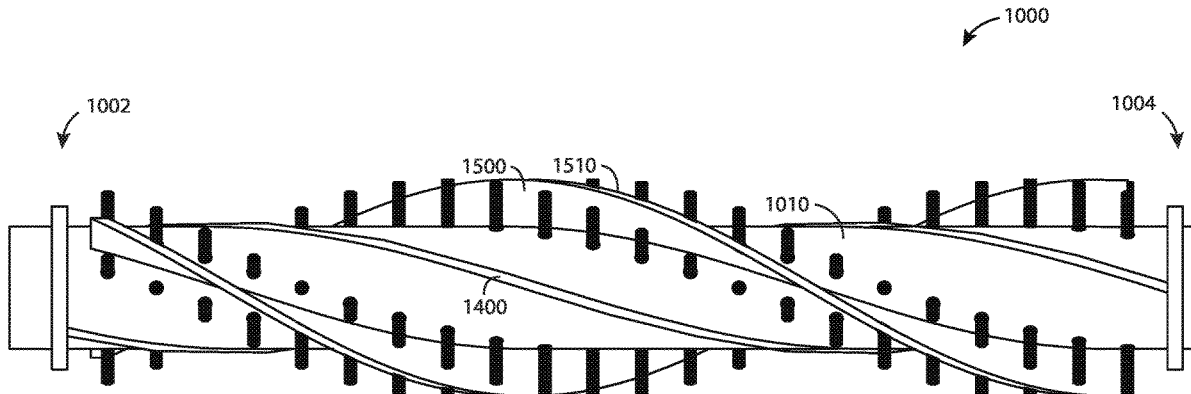
(58) **Field of Classification Search**

CPC **A47L 7/0066**; **A47L 11/4041**; **A47L 11/24**;
A47L 9/0477; **A46B 9/12**; **A46B 13/006**;
A46B 13/02; **A46B 3/16**

(57) **ABSTRACT**

A surface cleaning apparatus includes a rotatably mounted
brush associated with a dirty air inlet. A plurality of bristles
extend outwardly from a radial outer surface of the rotatably
mounted brush. A heating element that is positioned exterior
to the brush core.

20 Claims, 98 Drawing Sheets



(56)

References Cited

U.S. PATENT DOCUMENTS

9,326,654	B2	5/2016	Doughty	
9,763,549	B2	9/2017	Hyun et al.	
10,117,554	B2*	11/2018	Williamson A47L 9/068
2003/0066150	A1	4/2003	Stegens et al.	
2005/0125941	A1	6/2005	Joung et al.	
2008/0086837	A1	4/2008	Son et al.	
2009/0229075	A1	9/2009	Eriksson	
2010/0037418	A1	2/2010	Hussey et al.	
2010/0306958	A1	12/2010	Follows et al.	
2012/0311813	A1	12/2012	Gilbert, Jr. et al.	
2013/0212831	A1	8/2013	Follows et al.	
2014/0053351	A1	2/2014	Kapoor et al.	
2014/0259475	A1	9/2014	Doughty	
2014/0259522	A1	9/2014	Kasper et al.	
2016/0100726	A1	4/2016	Downey et al.	
2016/0166052	A1	6/2016	Kasper et al.	
2016/0166127	A1	6/2016	Lewis	
2016/0213217	A1	7/2016	Doughty	
2017/0296010	A1	10/2017	Li et al.	
2017/0296021	A1	10/2017	Li et al.	
2017/0296023	A1	10/2017	Qiao et al.	

FOREIGN PATENT DOCUMENTS

GB	2425715	A	11/2006
WO	99/27834	A1	6/1999
WO	2005/020779	A1	3/2005
WO	2009/149722	A1	12/2009
WO	2010/142971	A1	12/2010
WO	2012/149572	A2	11/2012
WO	2015/015166	A1	2/2015
WO	2015/015167	A2	2/2015

OTHER PUBLICATIONS

Total Patent: English machine translation of the Abstract of EP0992211, published on Apr. 12, 2000.
 U.S. Appl. No. 60/747,791, filed May 19, 2006, in the name of Deepak Kapoor.
 English machine translation of EP0992211, published on Apr. 12, 2000.
 U.S. Appl. No. 15/939,569.
 U.S. Appl. No. 15/939,592.
 U.S. Appl. No. 15/939,607.
 U.S. Appl. No. 15/939,696.

* cited by examiner

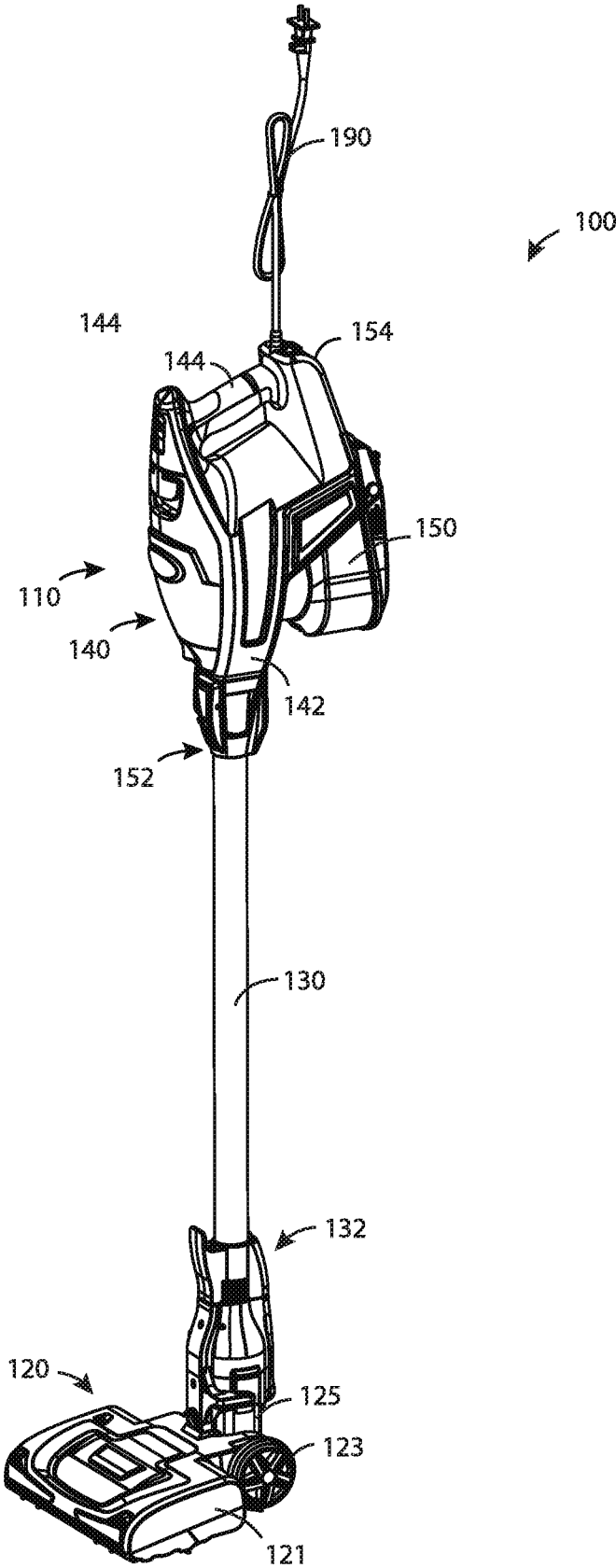


FIG. 1

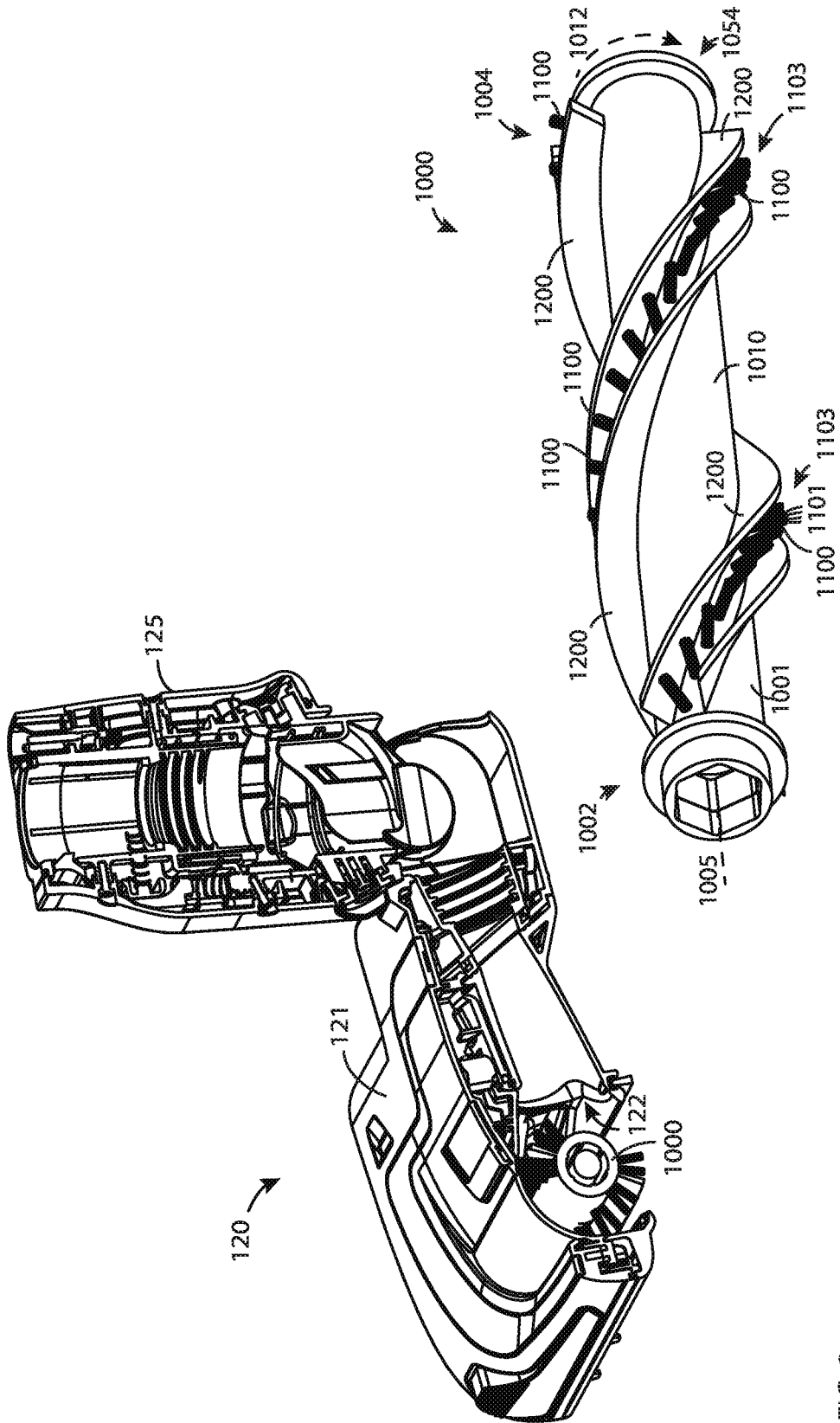


FIG. 3

FIG. 2

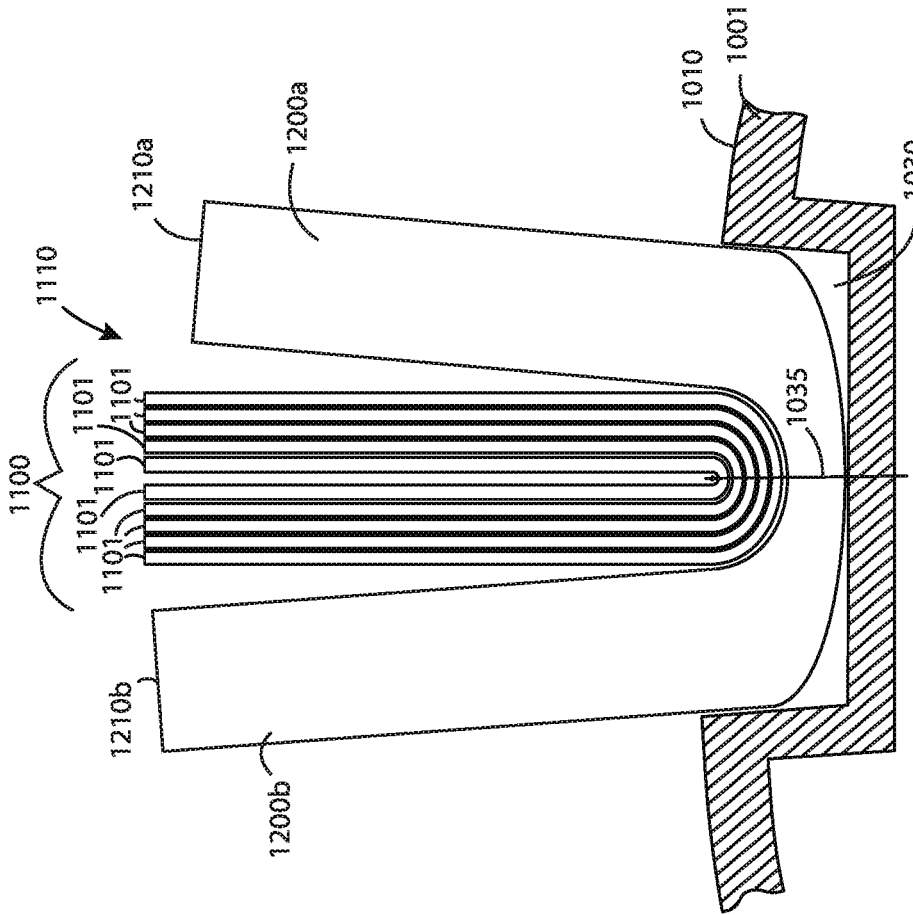


FIG. 5

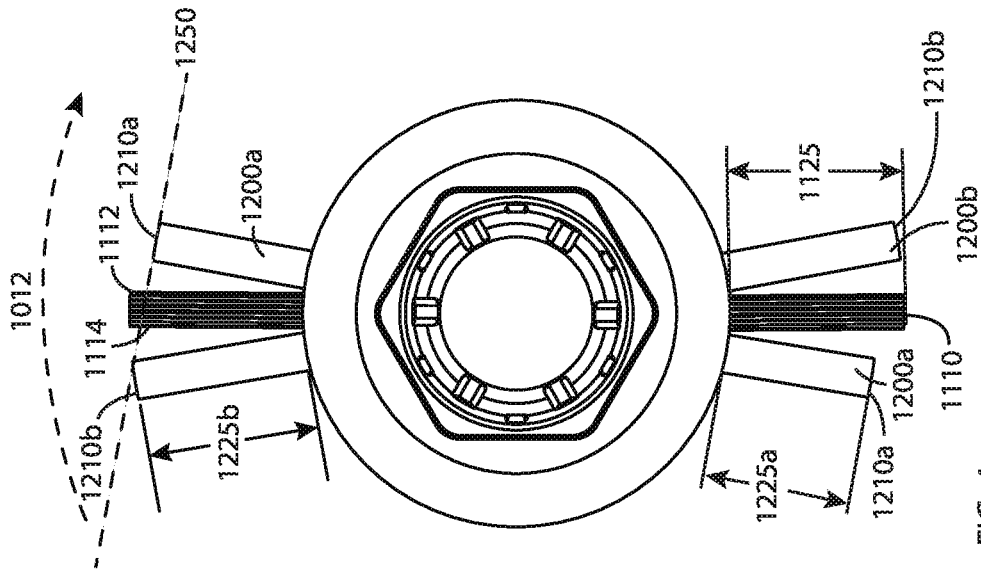


FIG. 4

FIG. 7

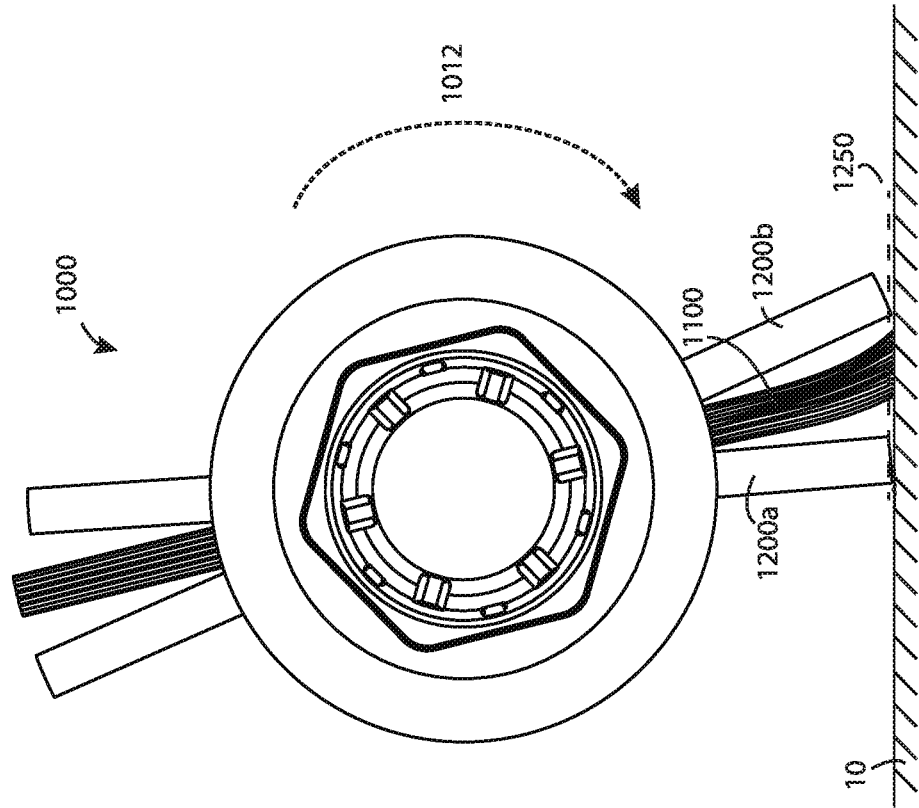


FIG. 6

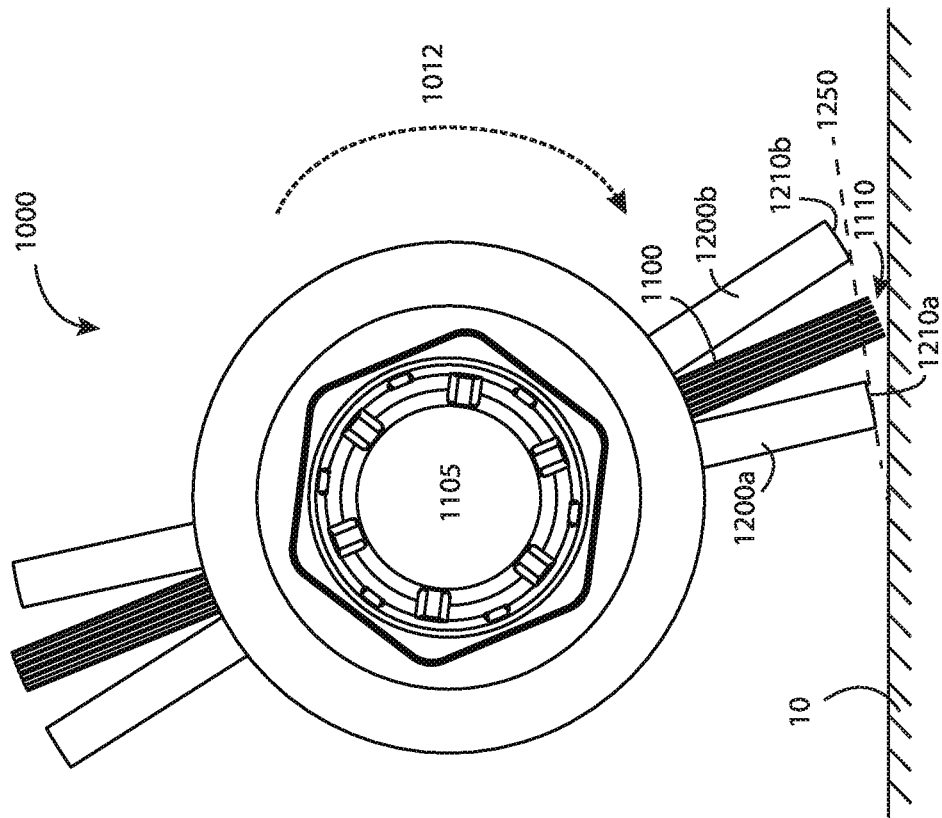


FIG. 9

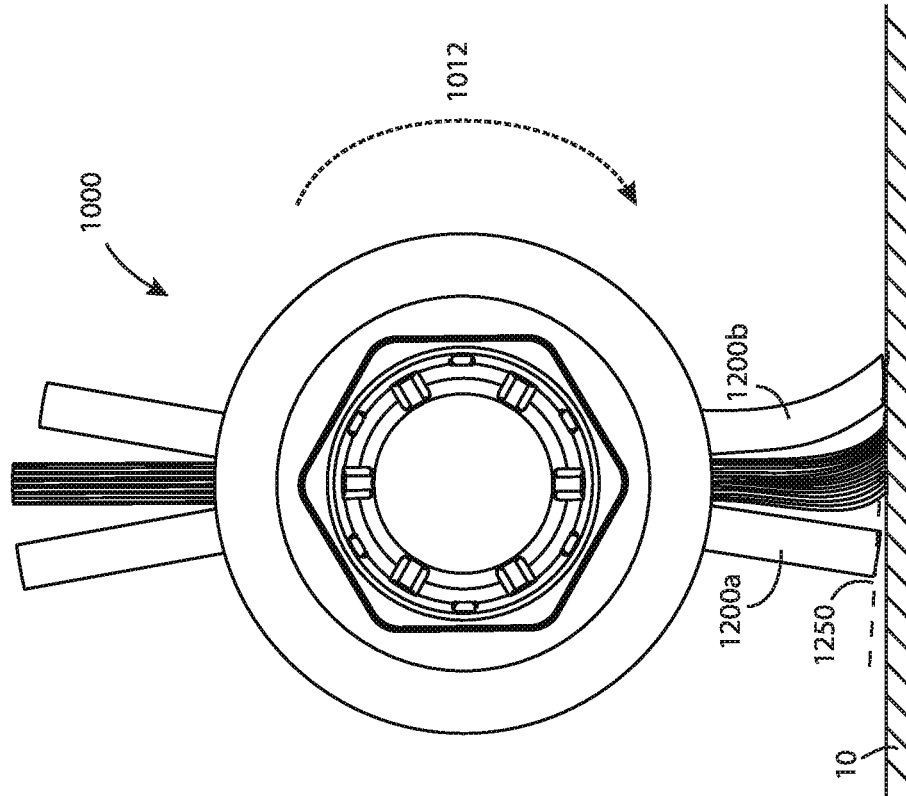
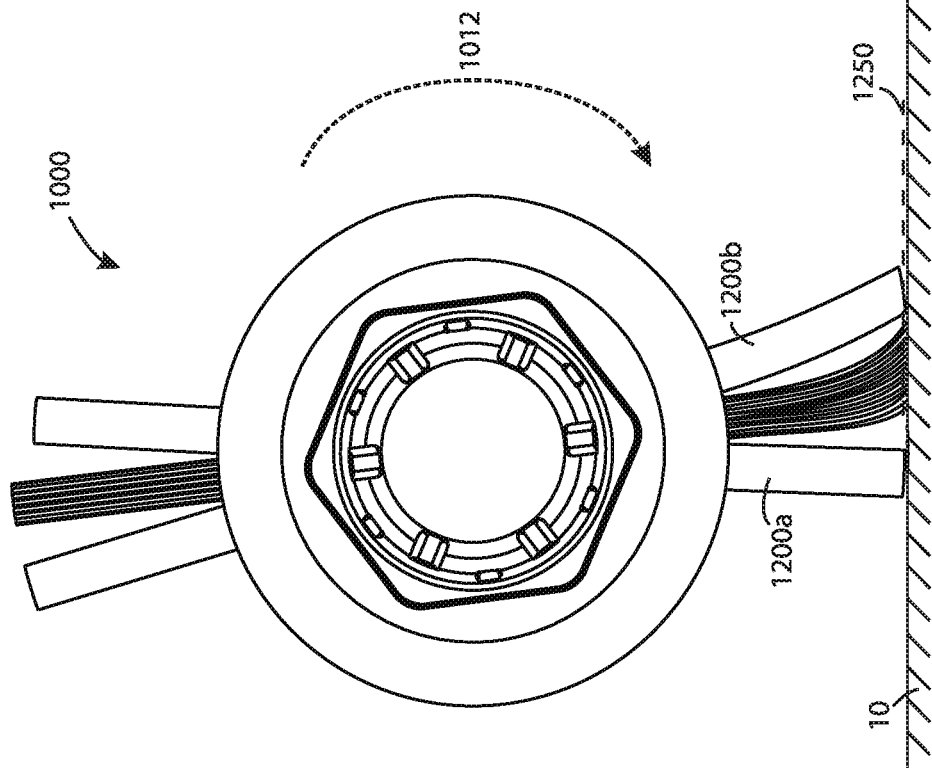


FIG. 8



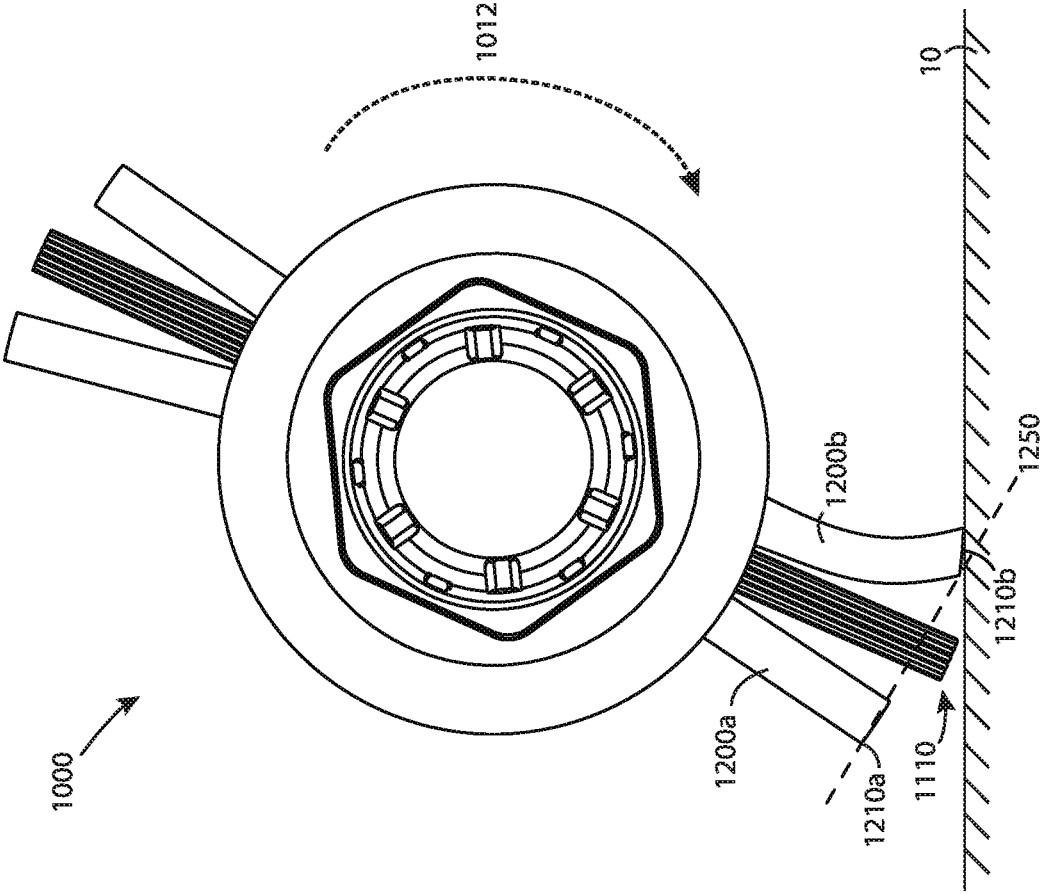


FIG. 10

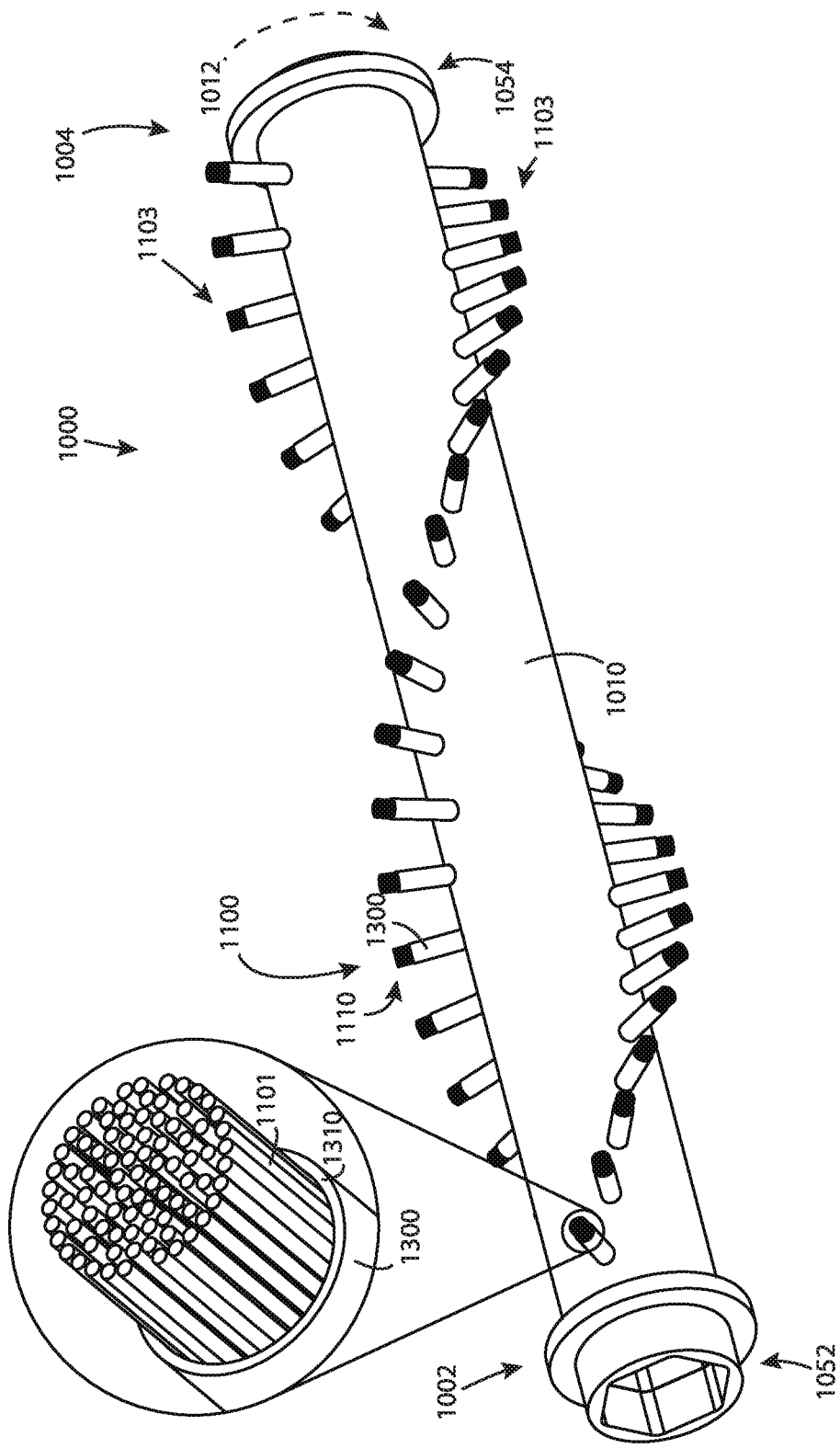


FIG.11

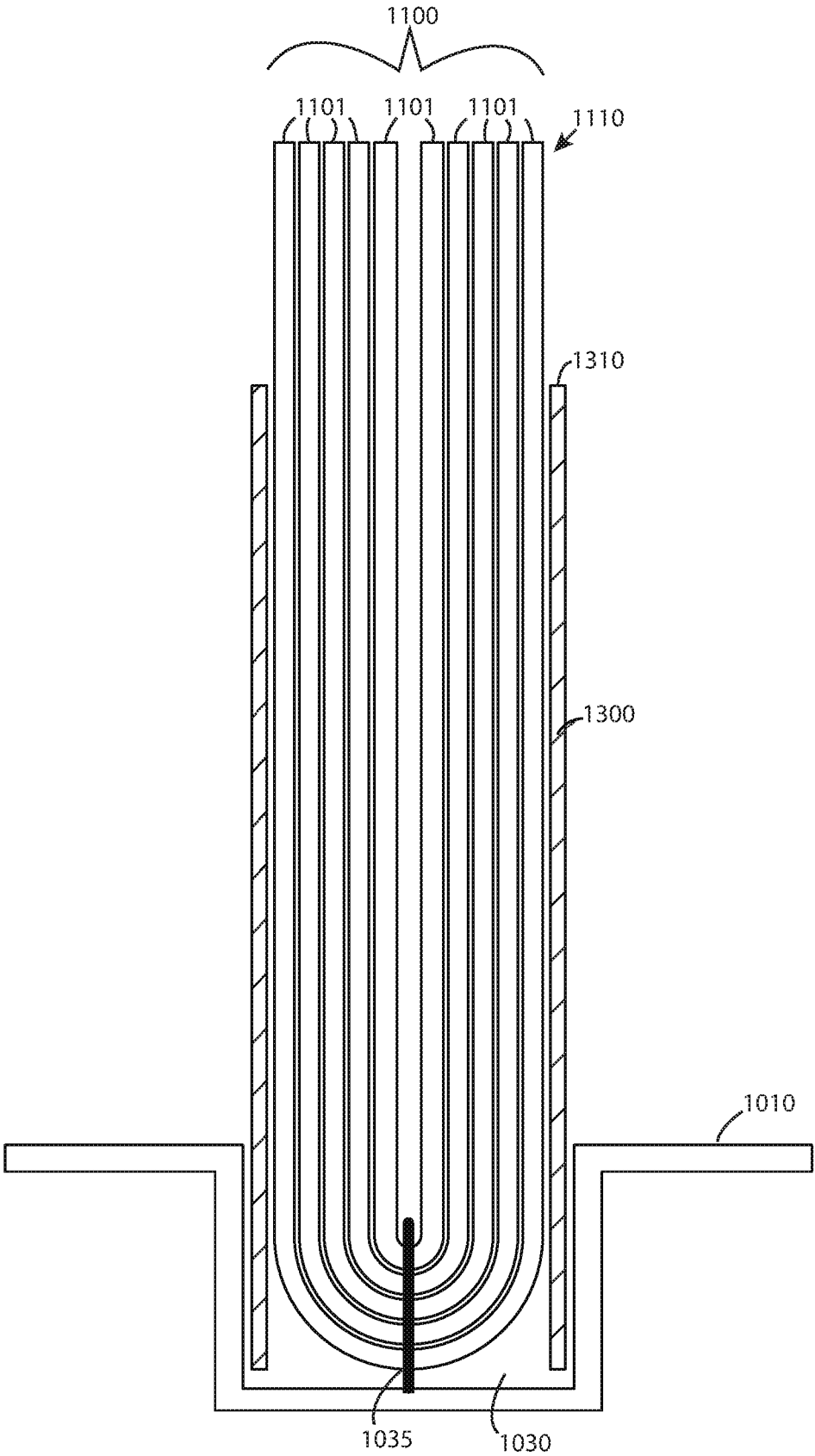


FIG. 12

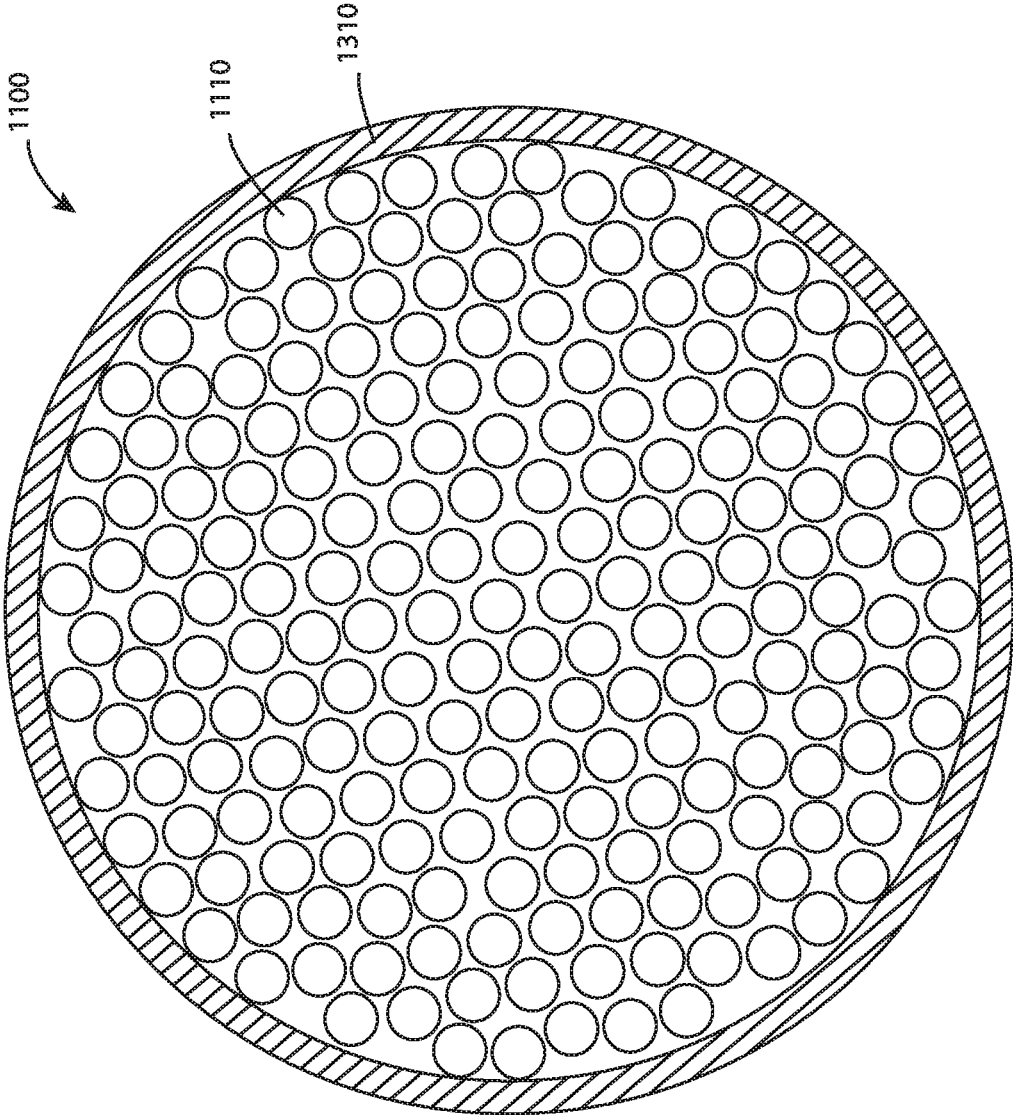


FIG. 13

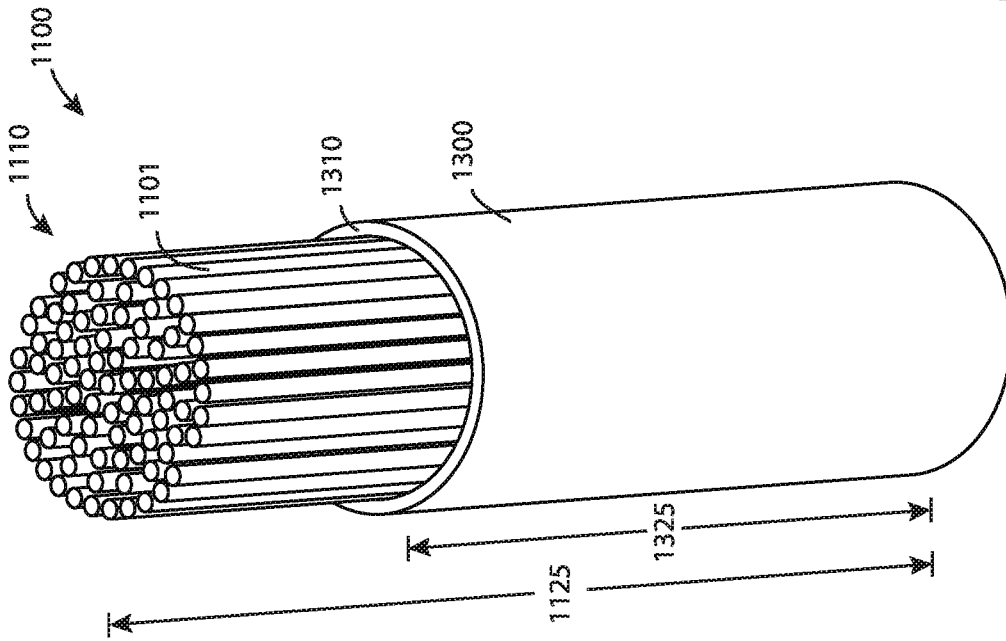


FIG.15

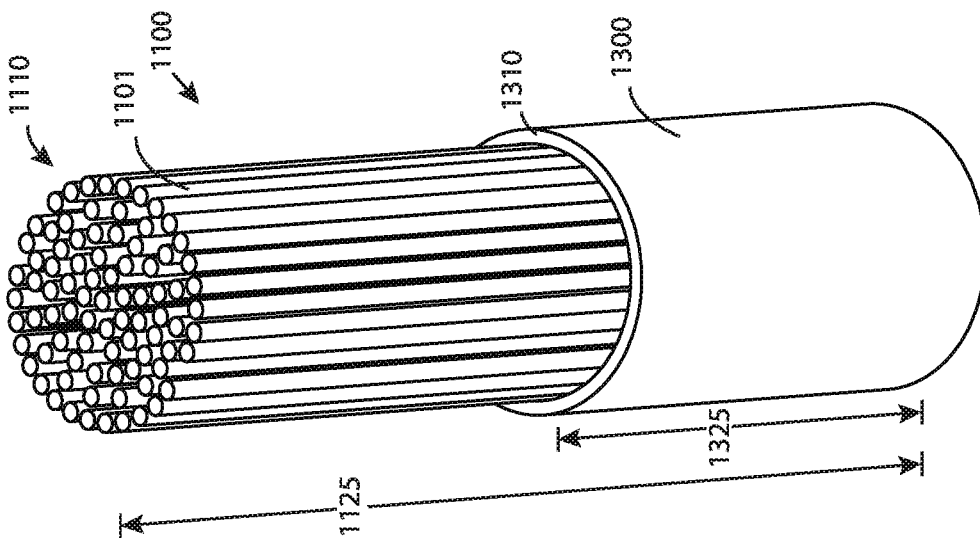


FIG.14

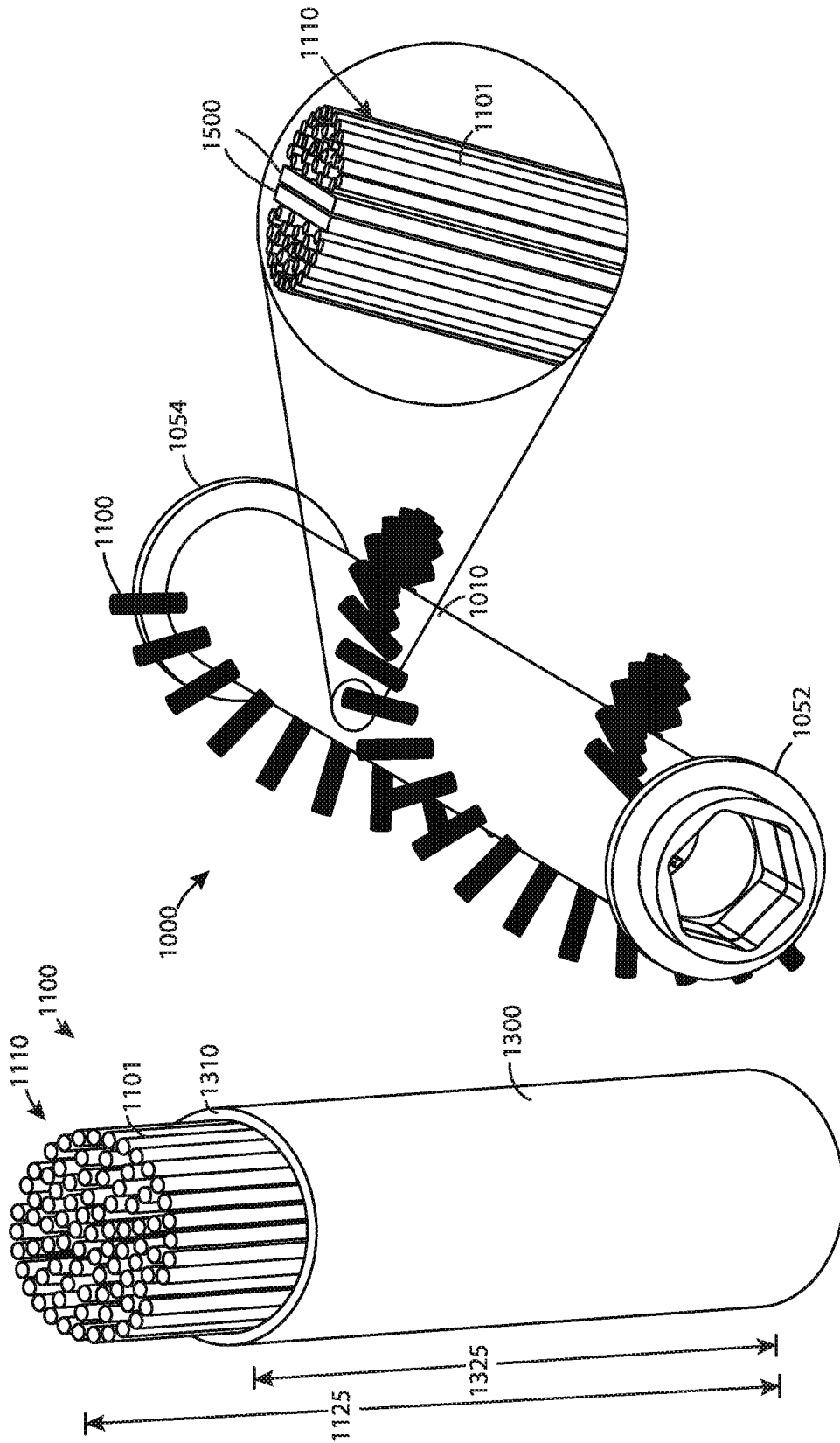


FIG.17

FIG.16

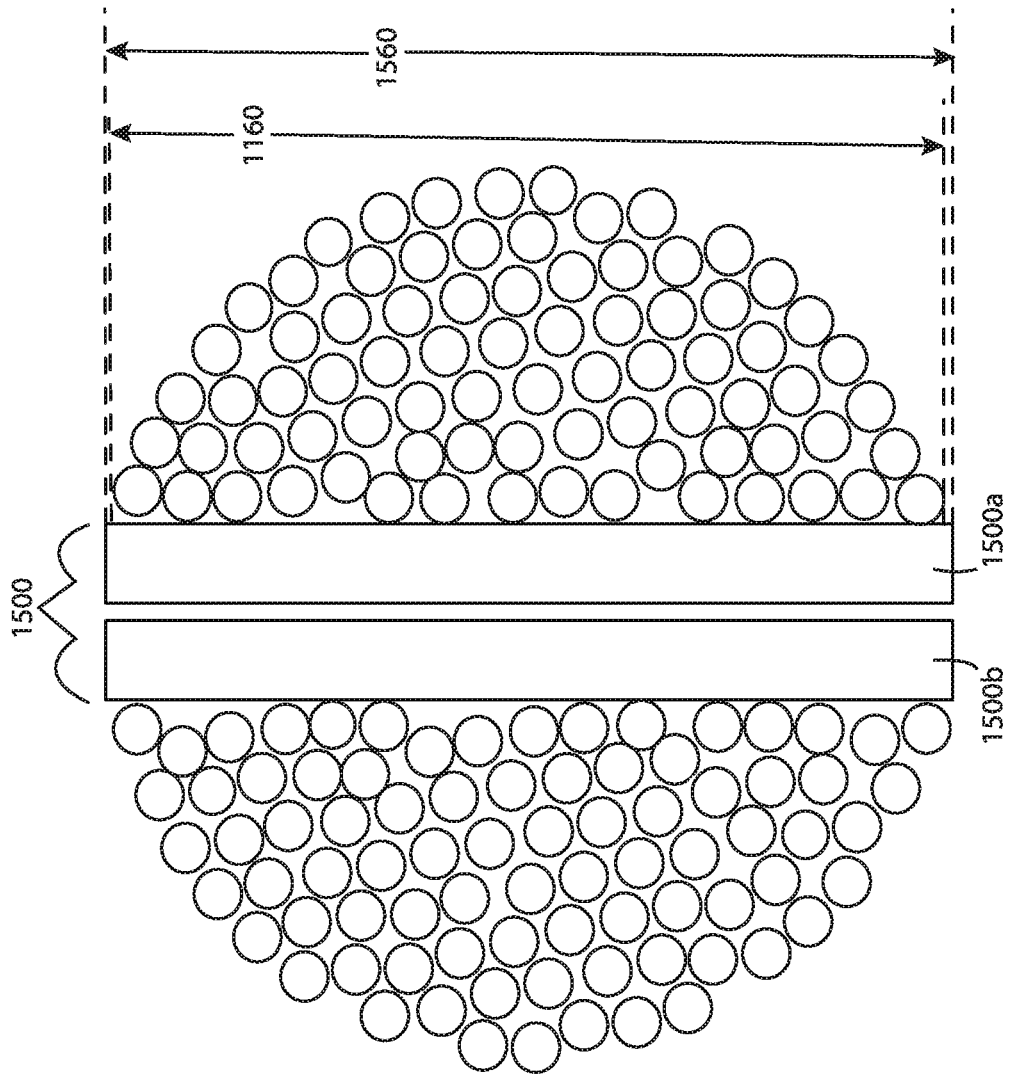


FIG.18

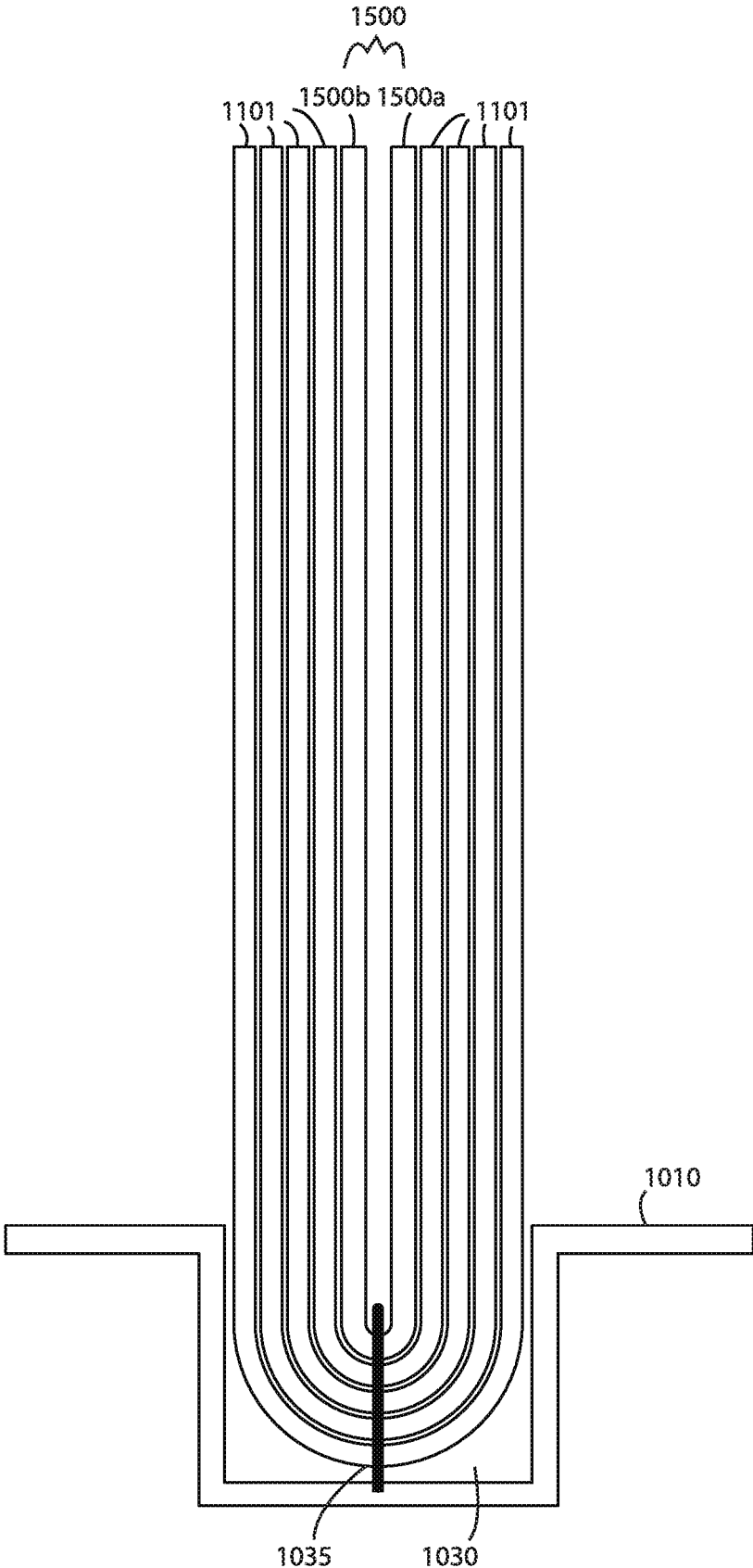


FIG. 19

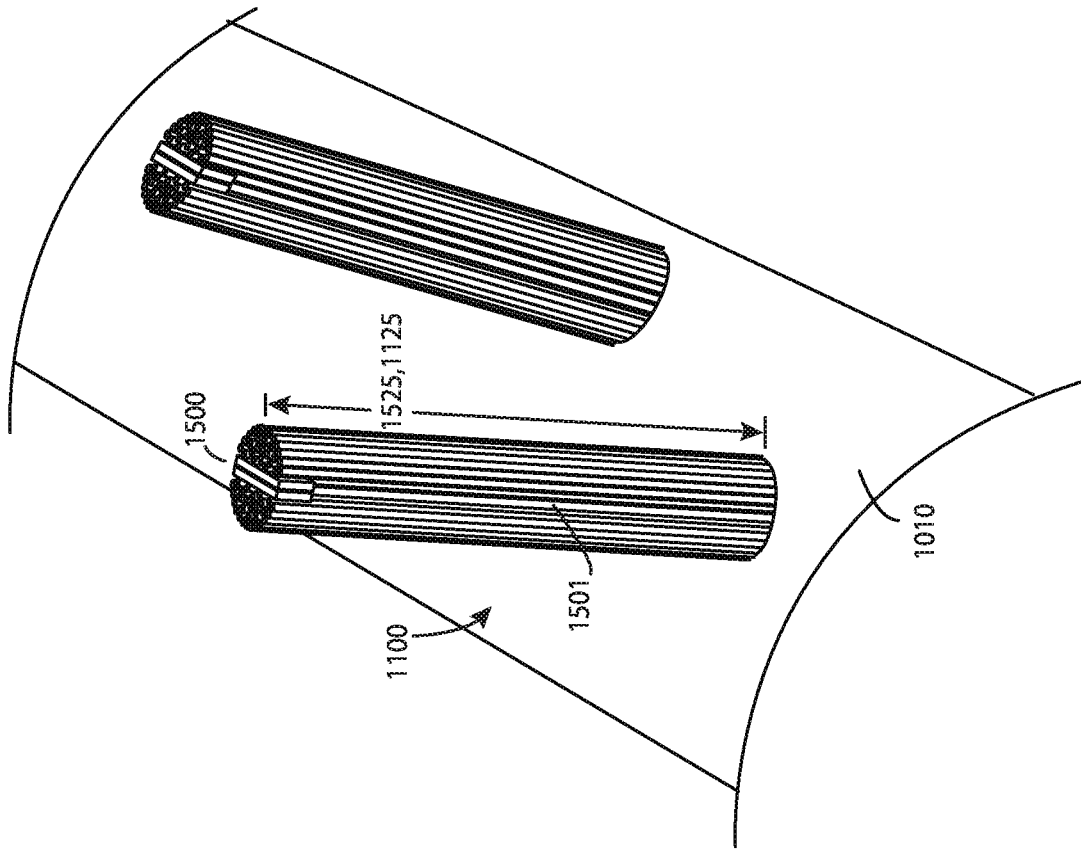


FIG. 20

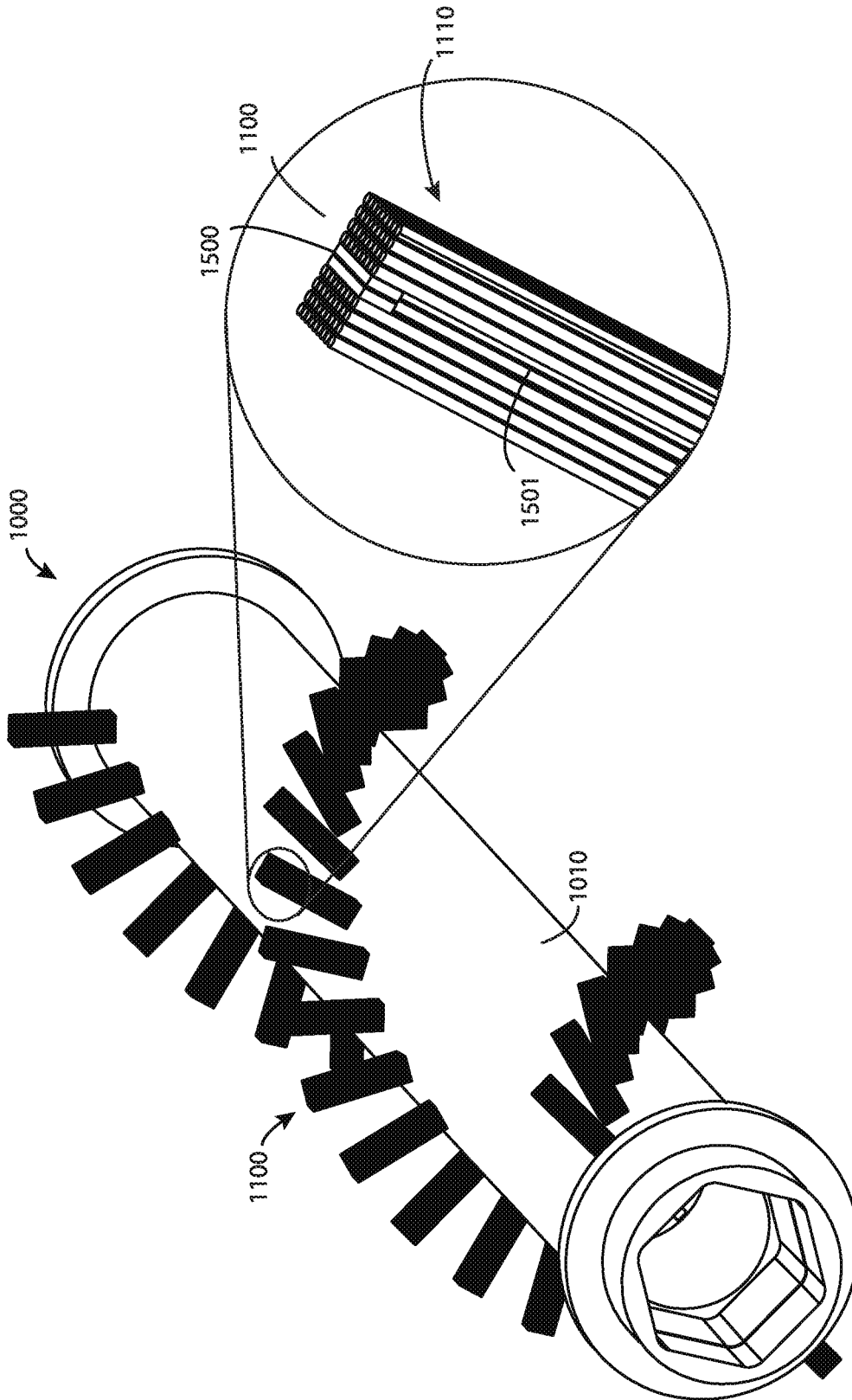


FIG. 21

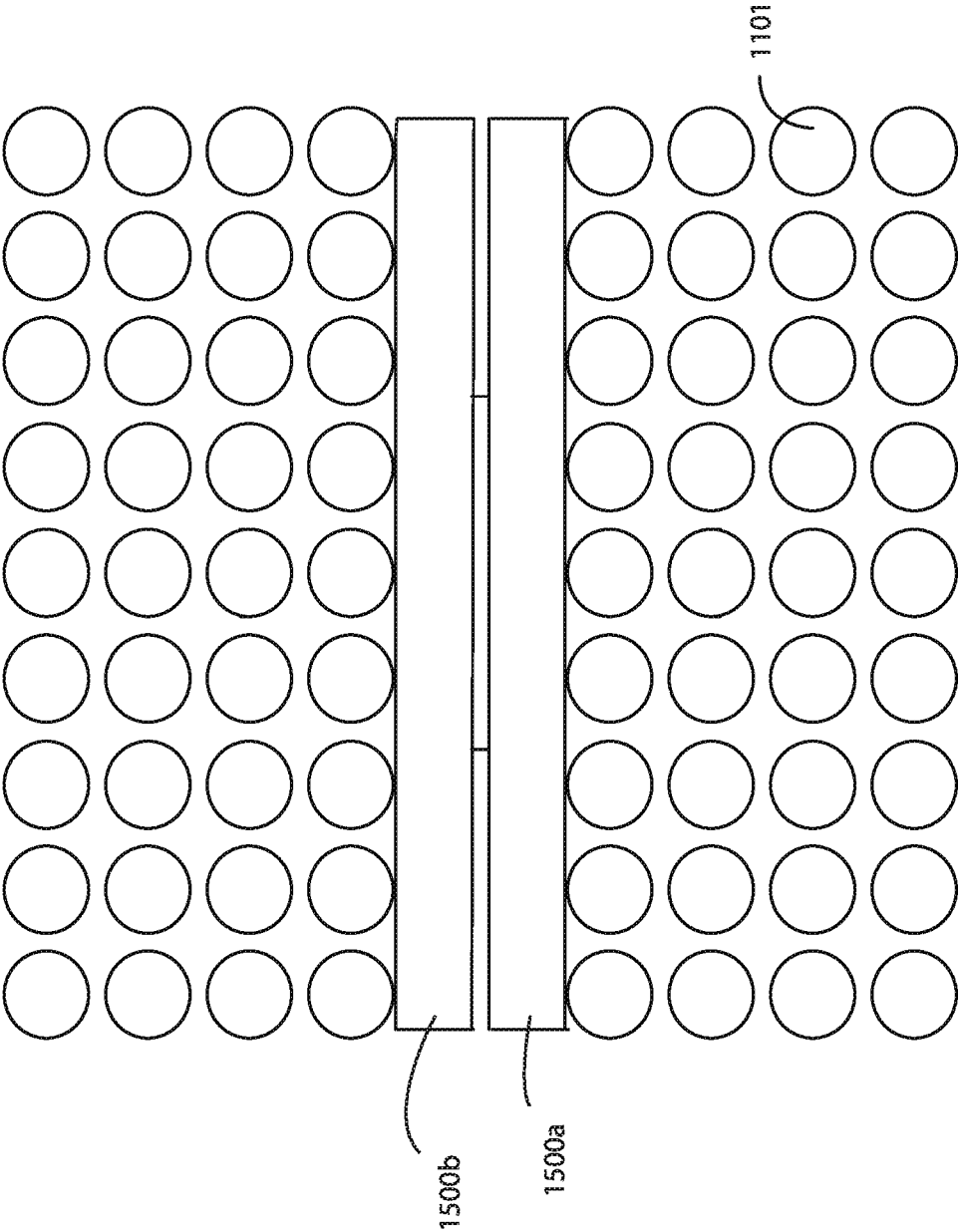


FIG. 22

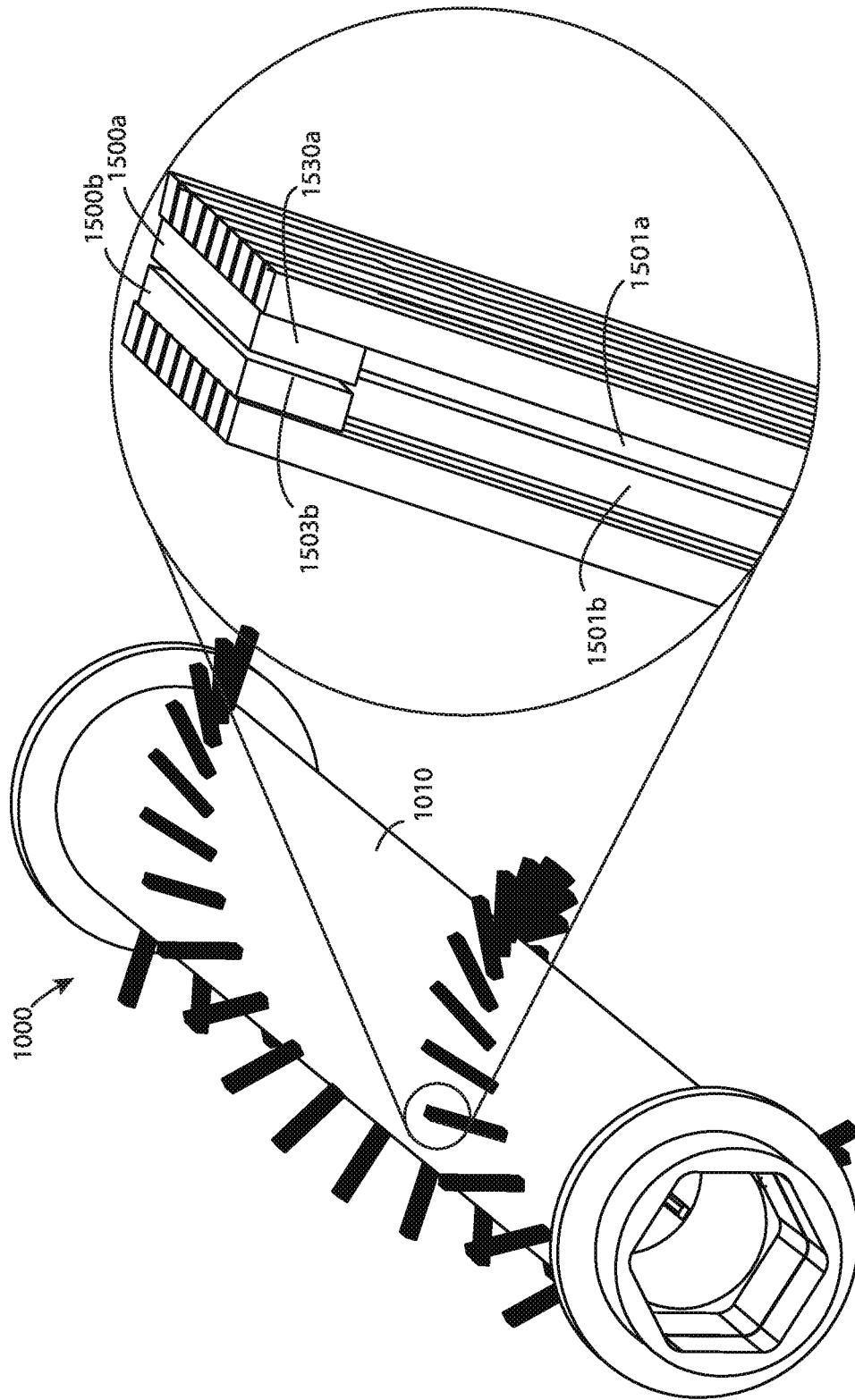


FIG. 23

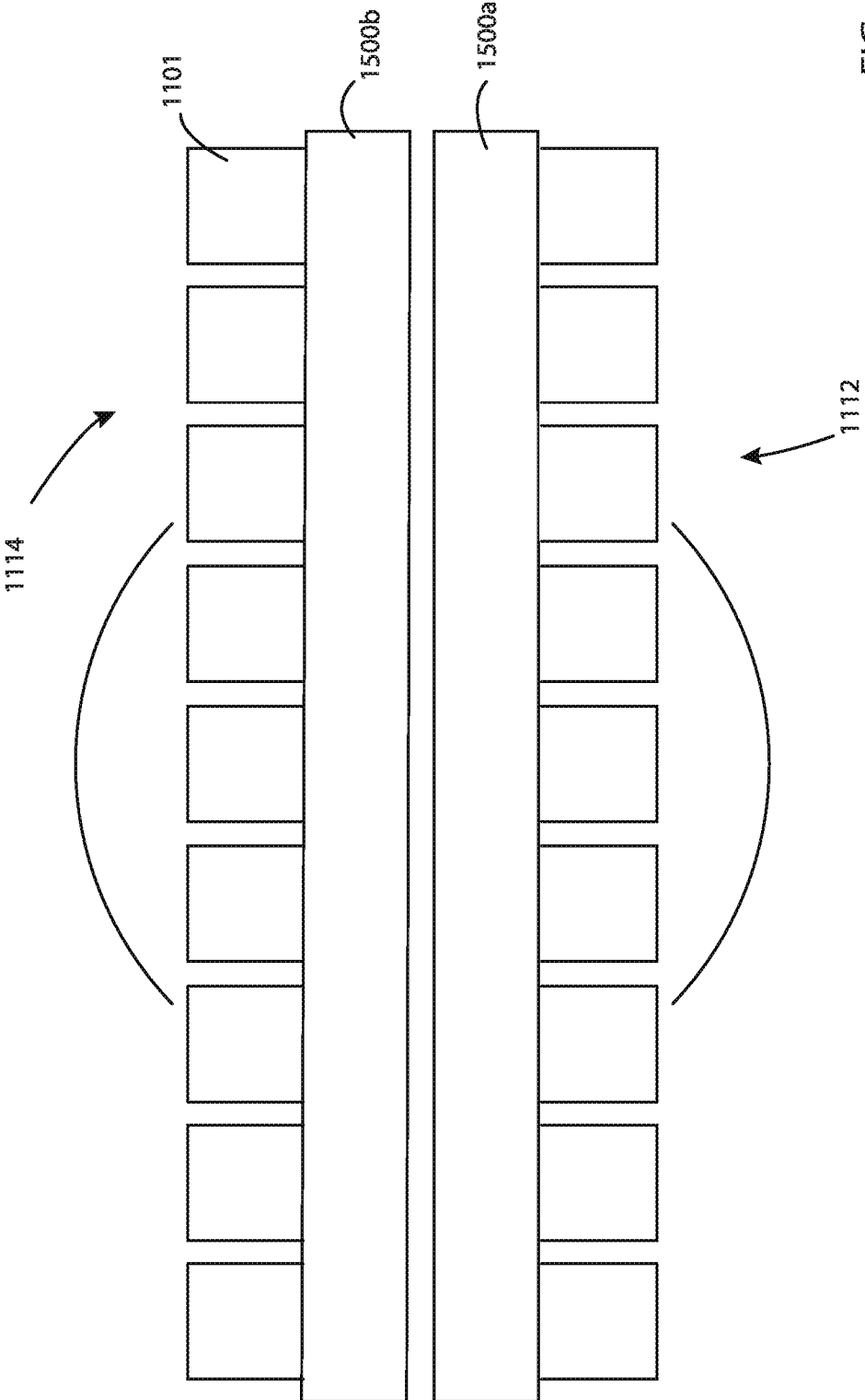


FIG. 24

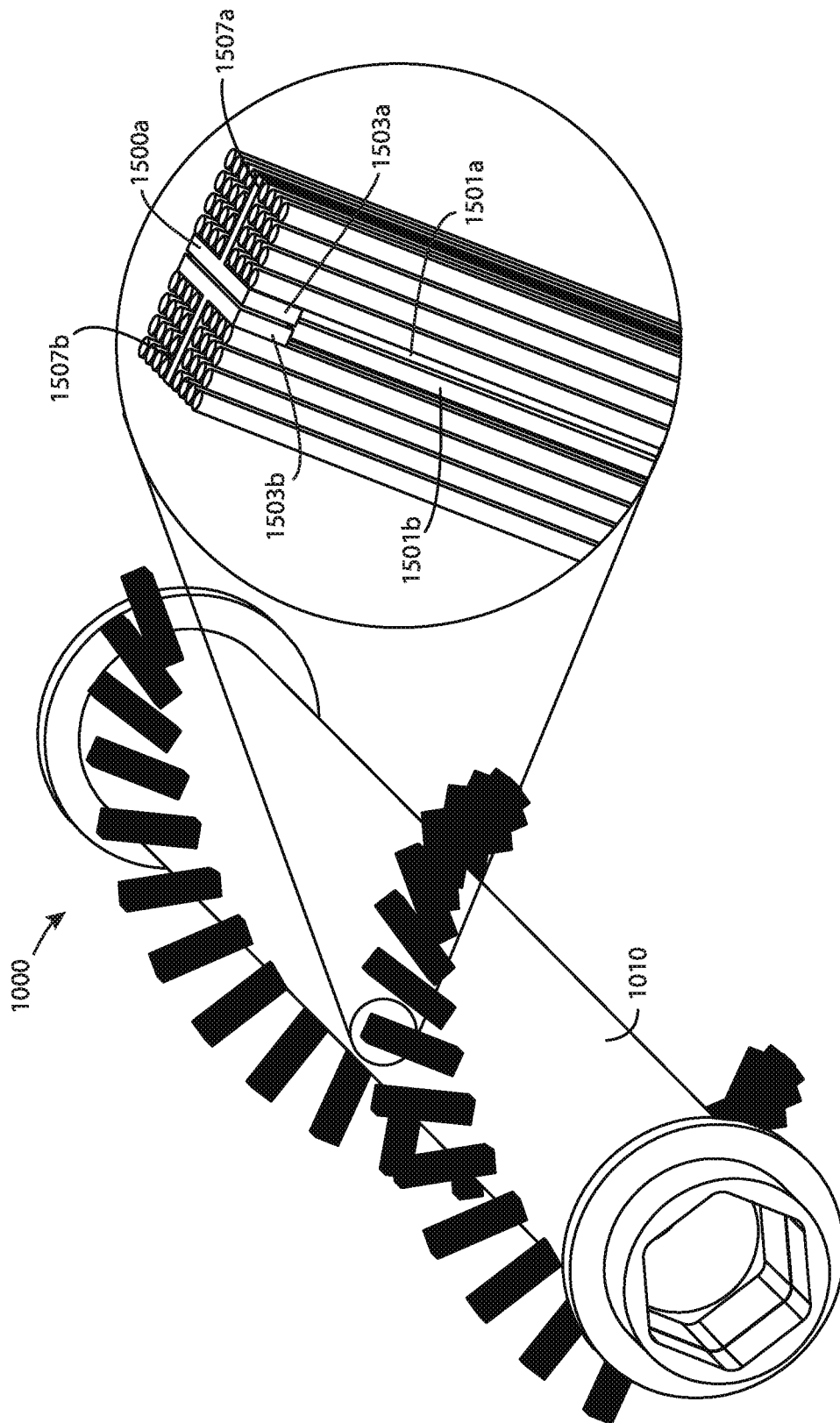


FIG. 25

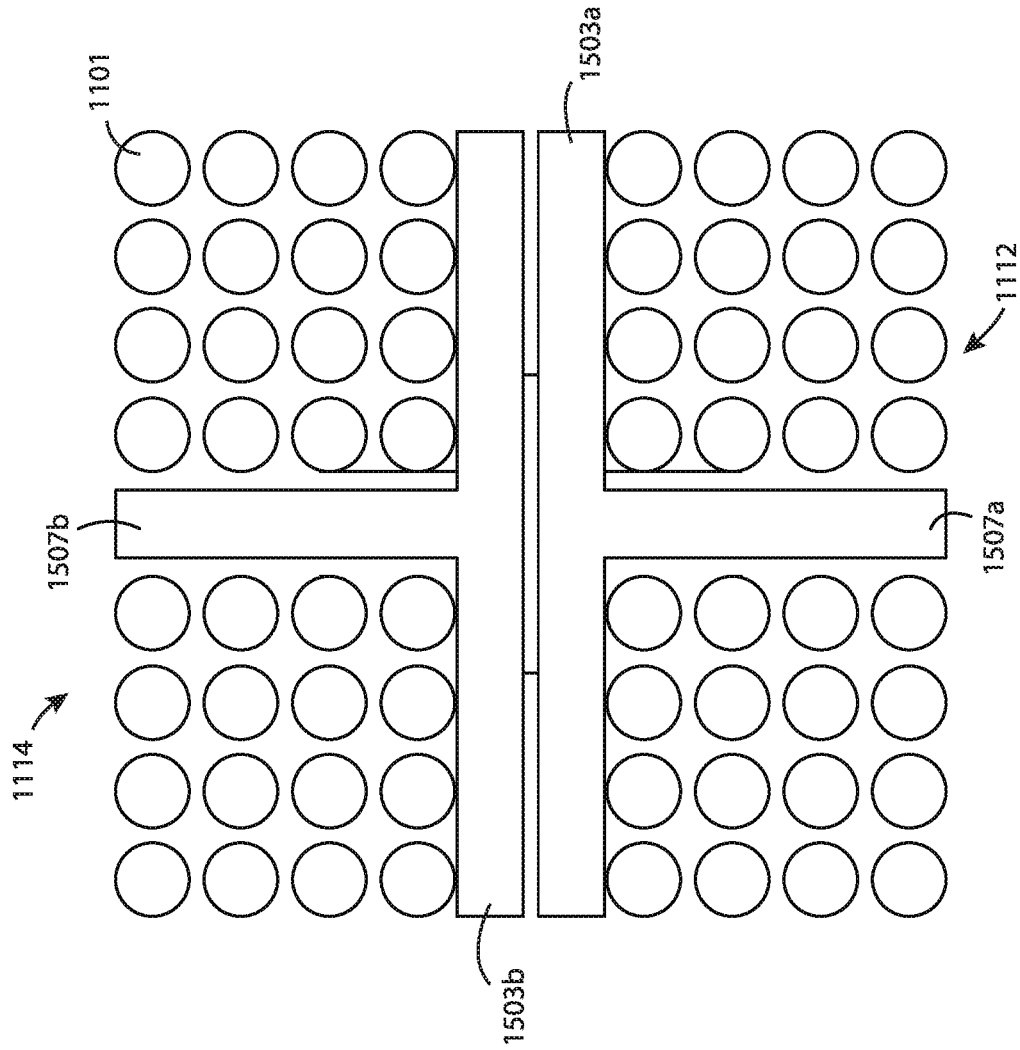


FIG. 26

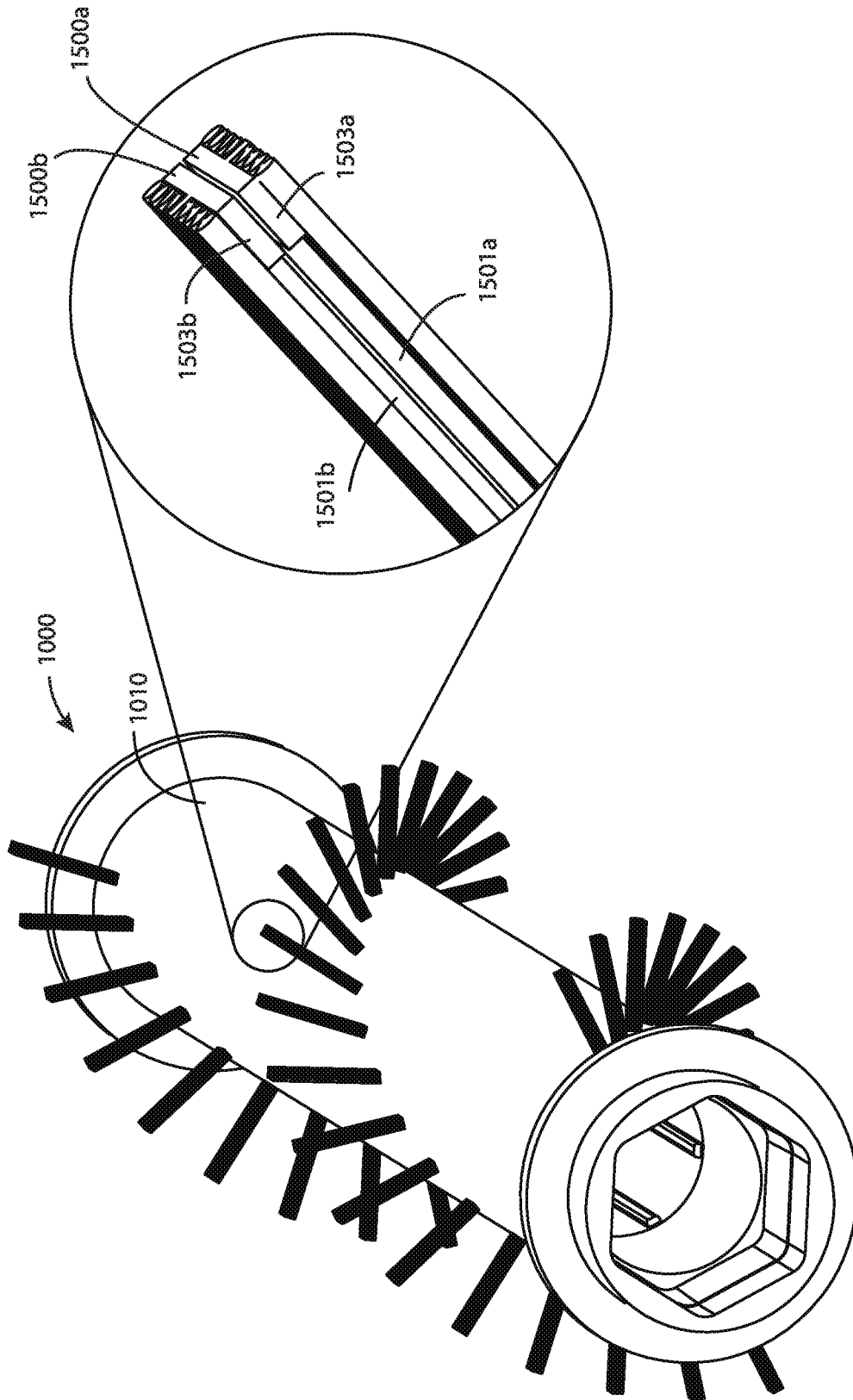


FIG. 27

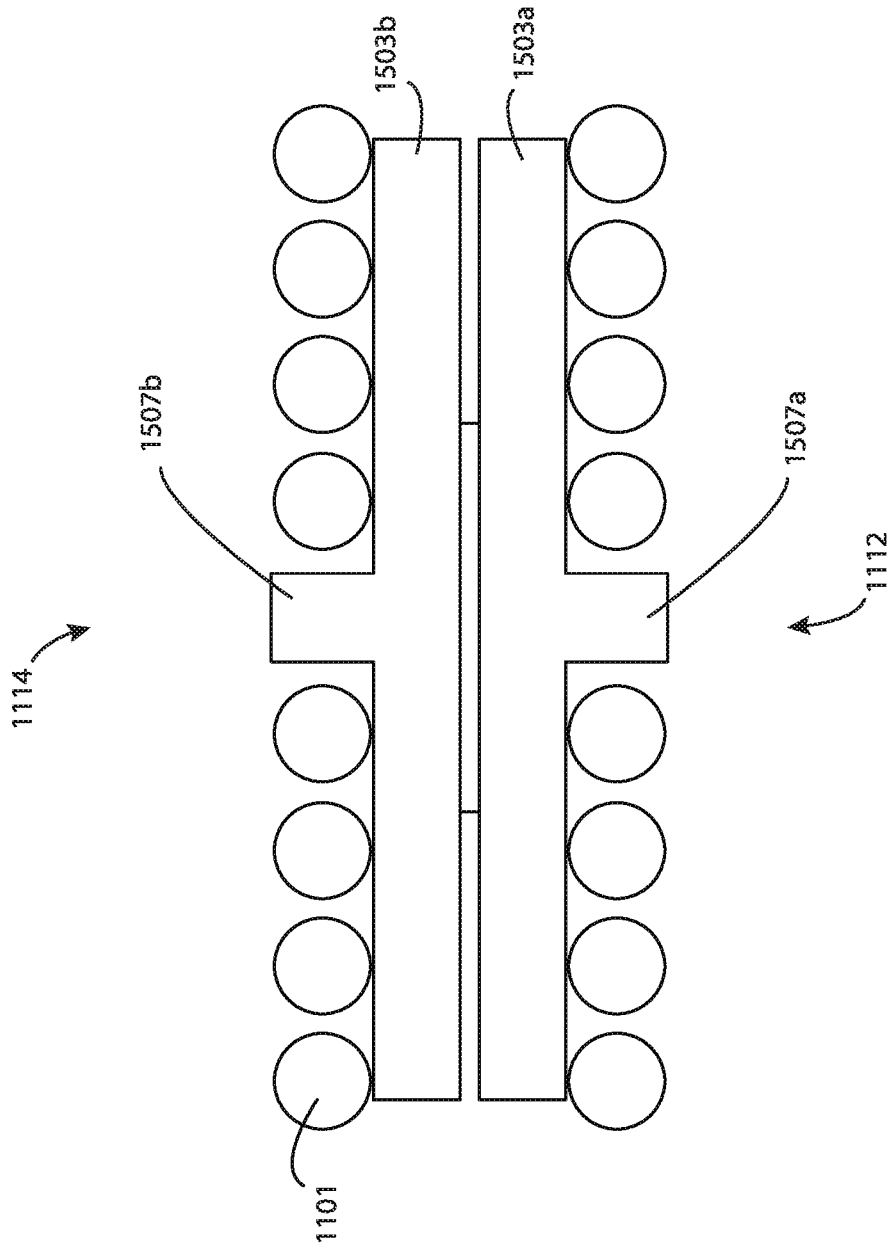


FIG. 28

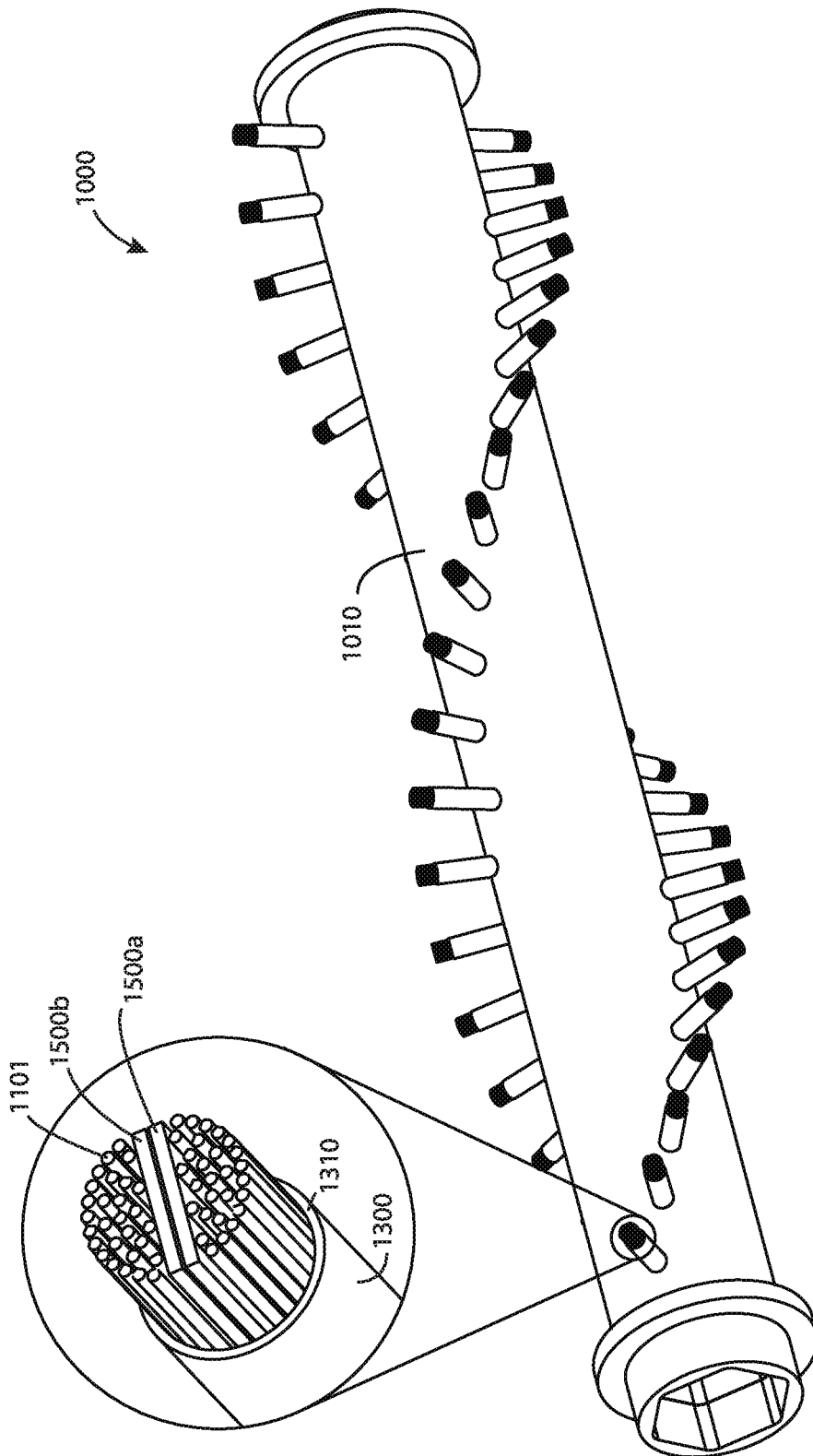


FIG. 29

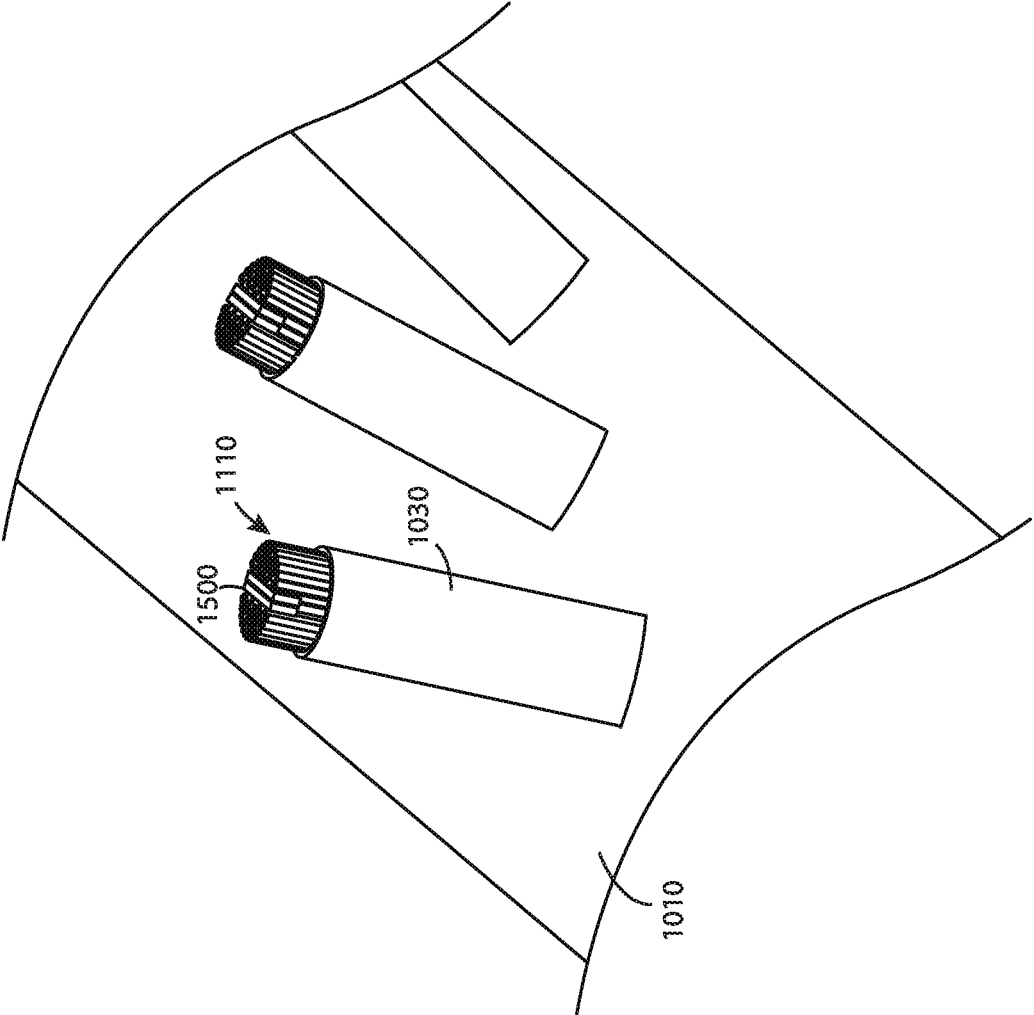


FIG. 30

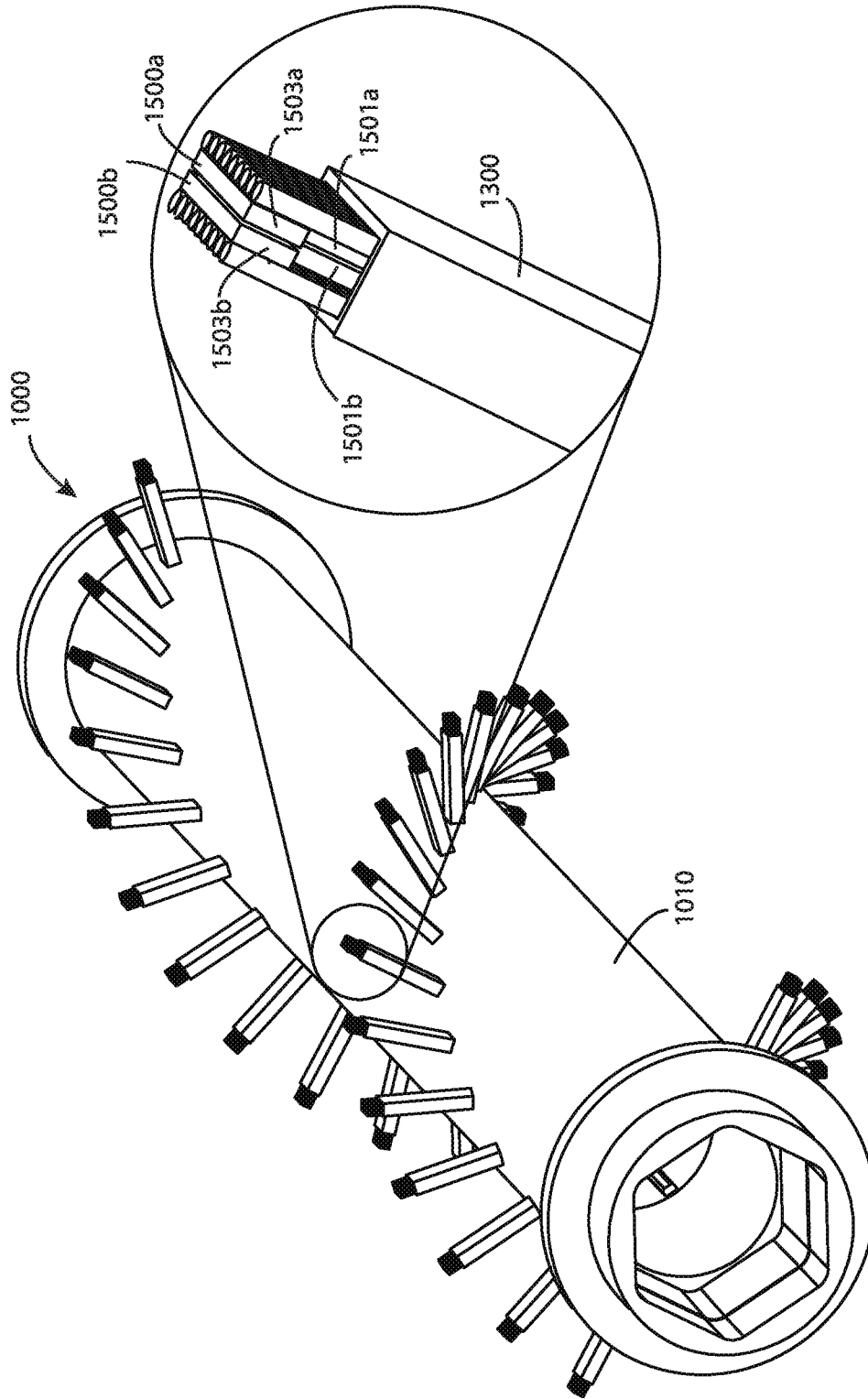


FIG. 31

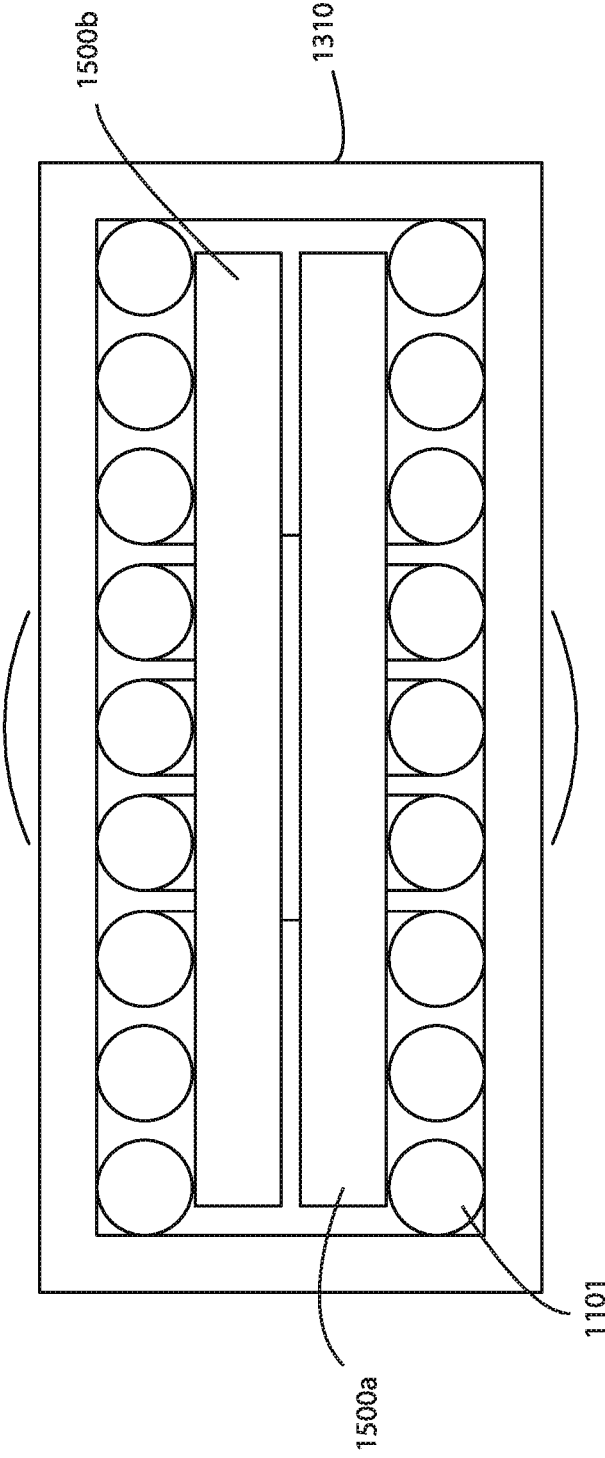


FIG.32

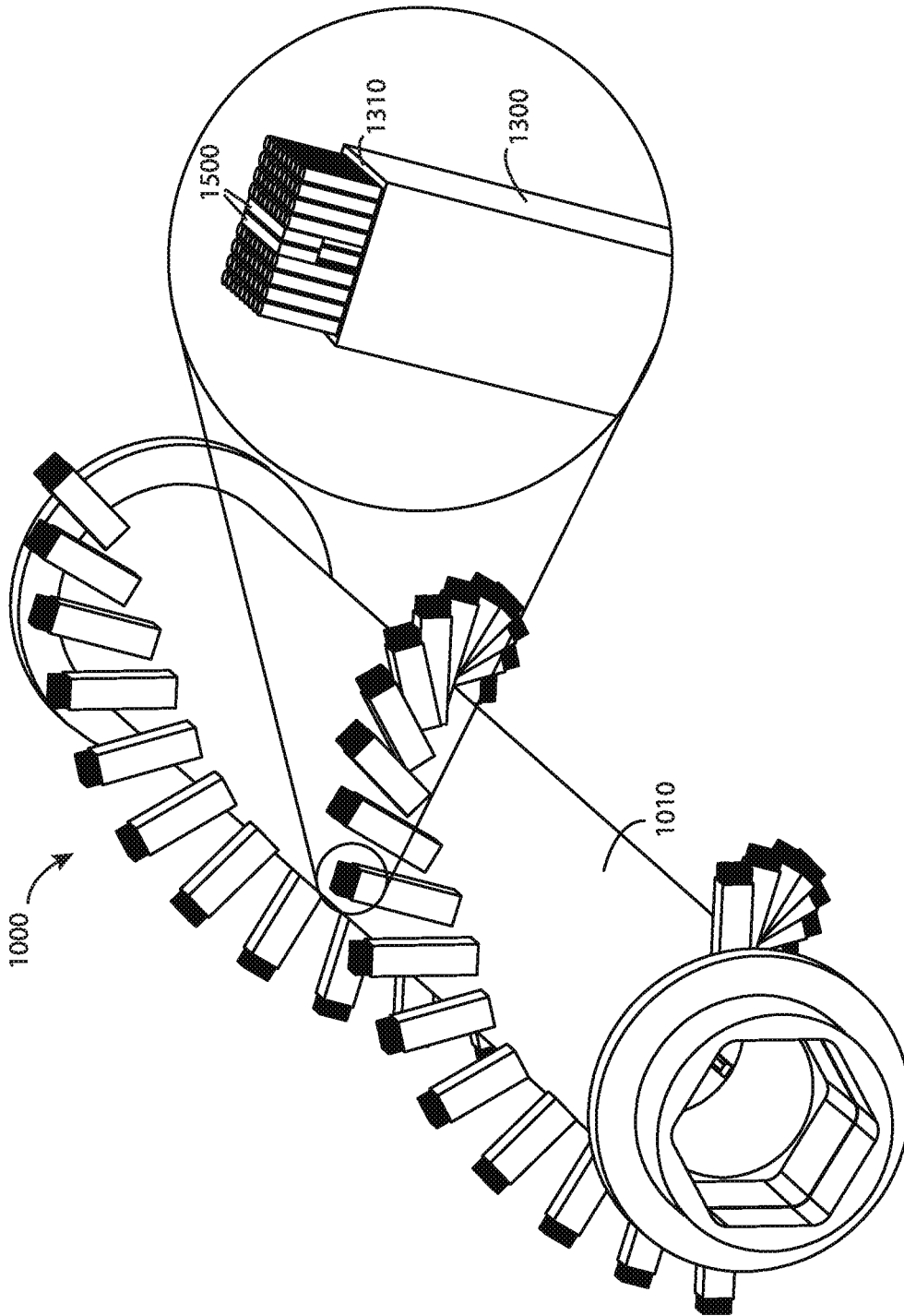


FIG. 33

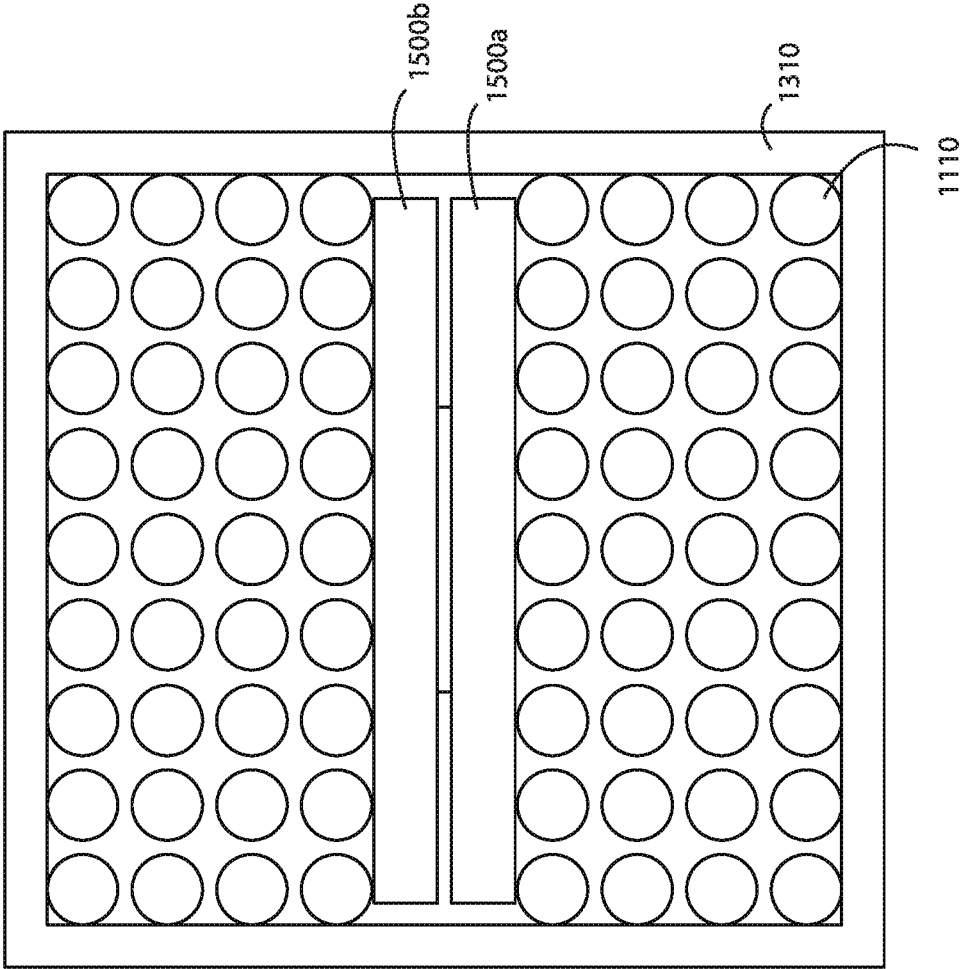


FIG. 34

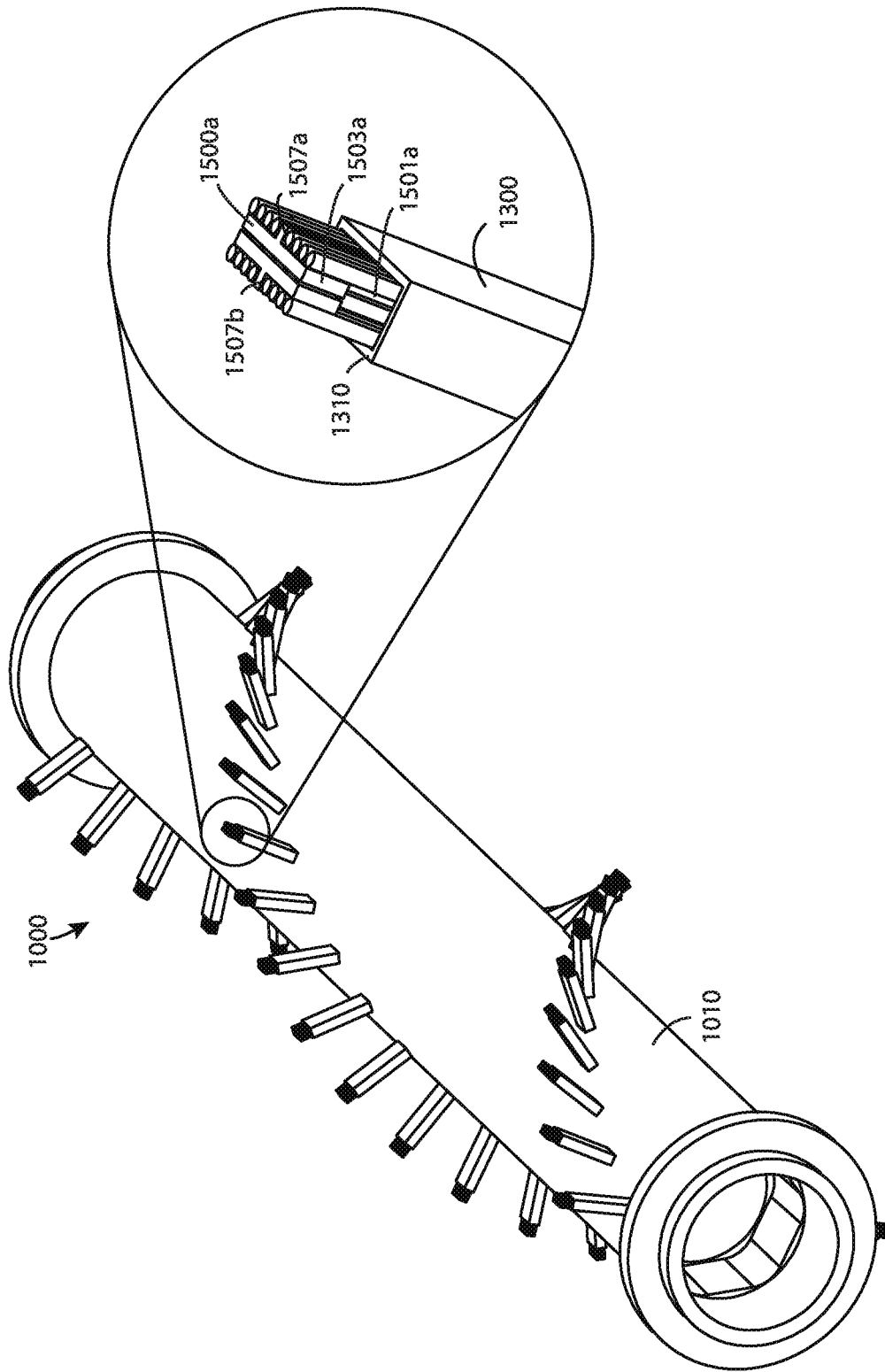


FIG. 35

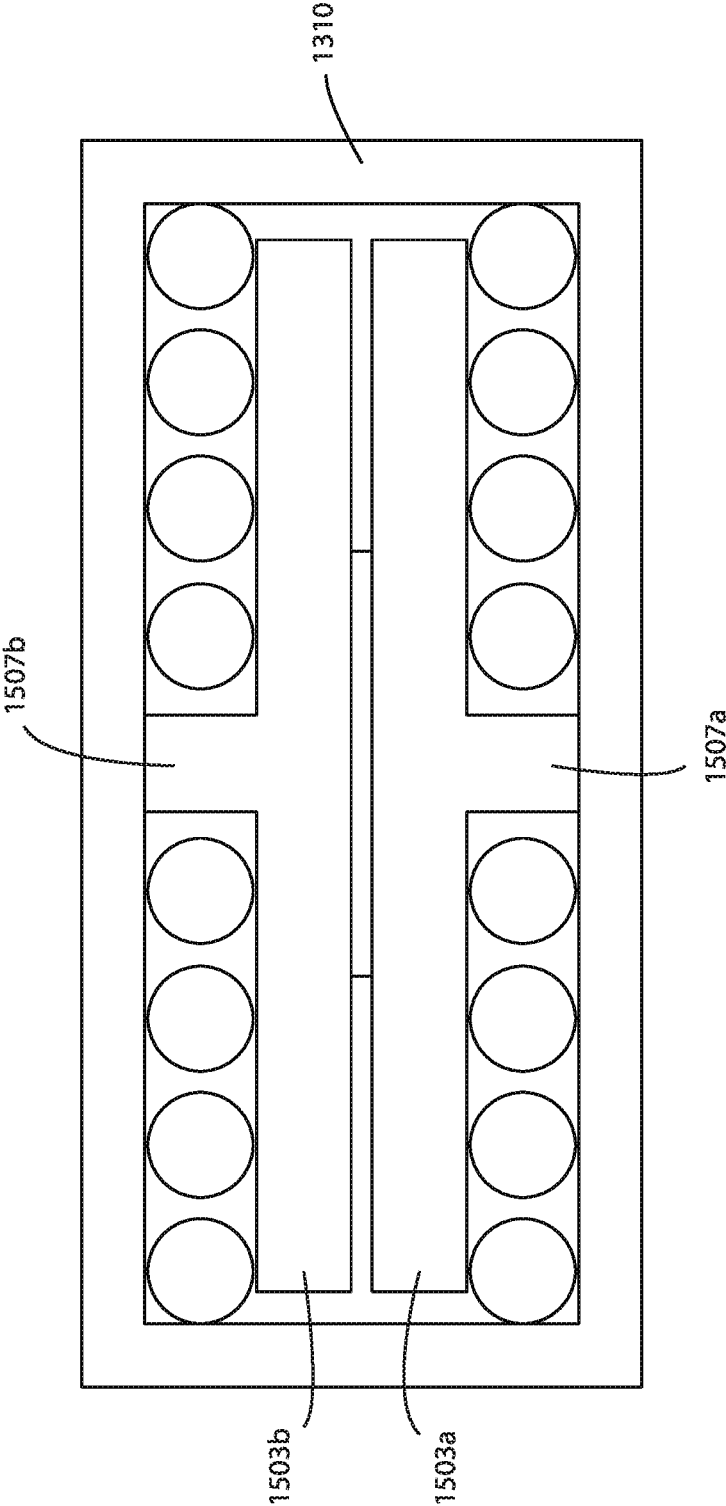


FIG. 36

FIG. 38

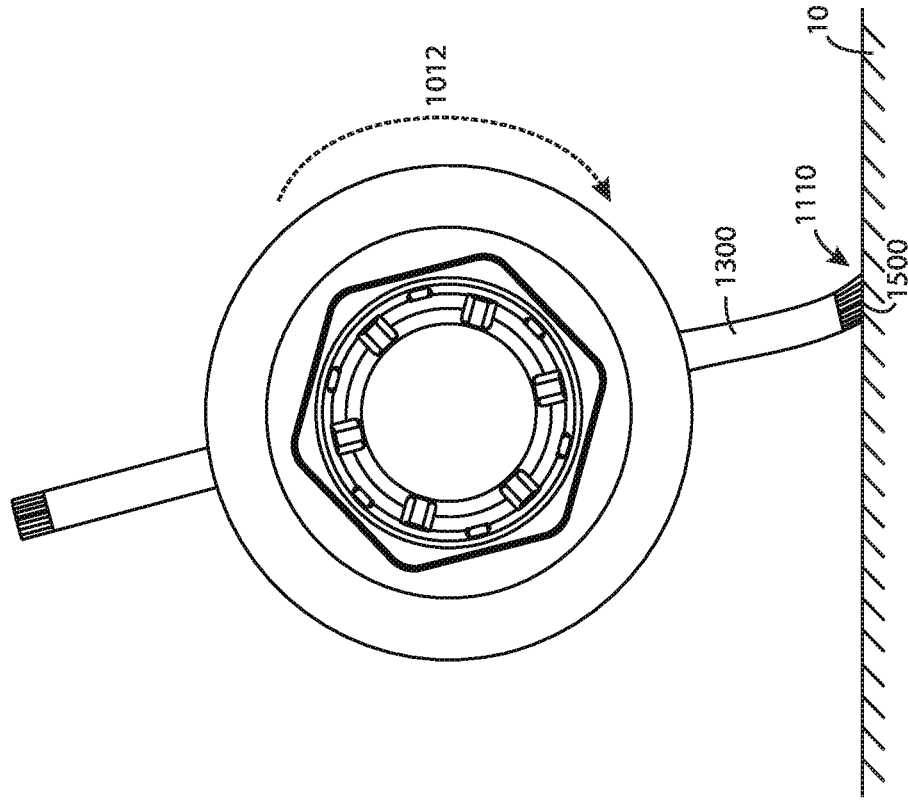


FIG. 37

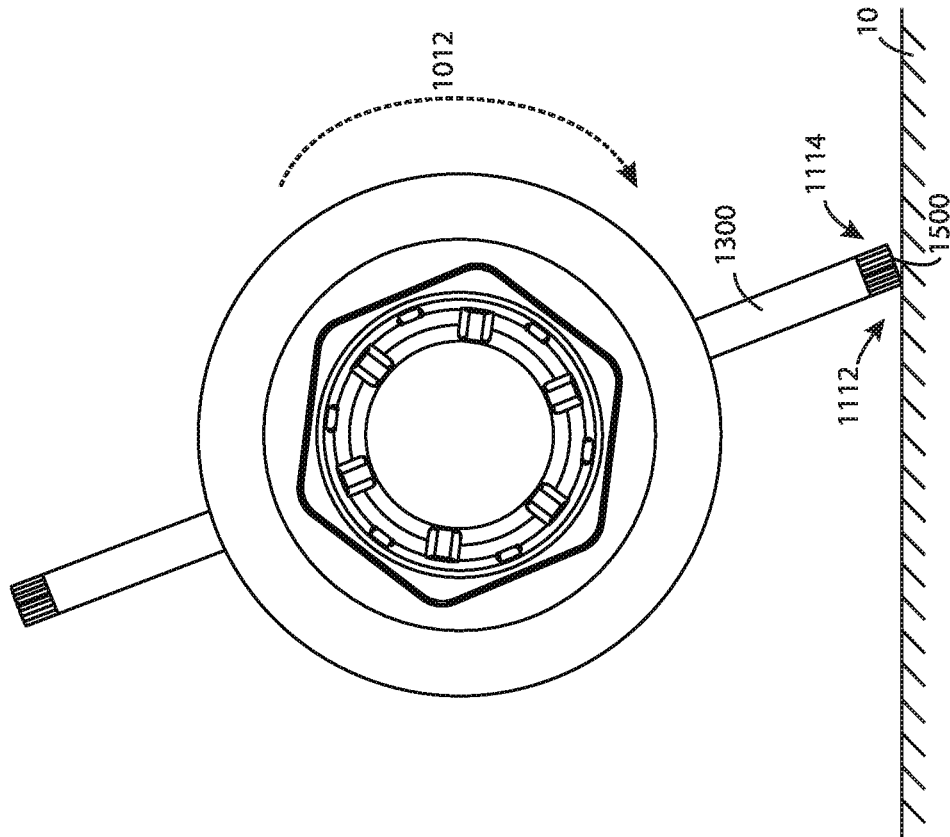


FIG. 39

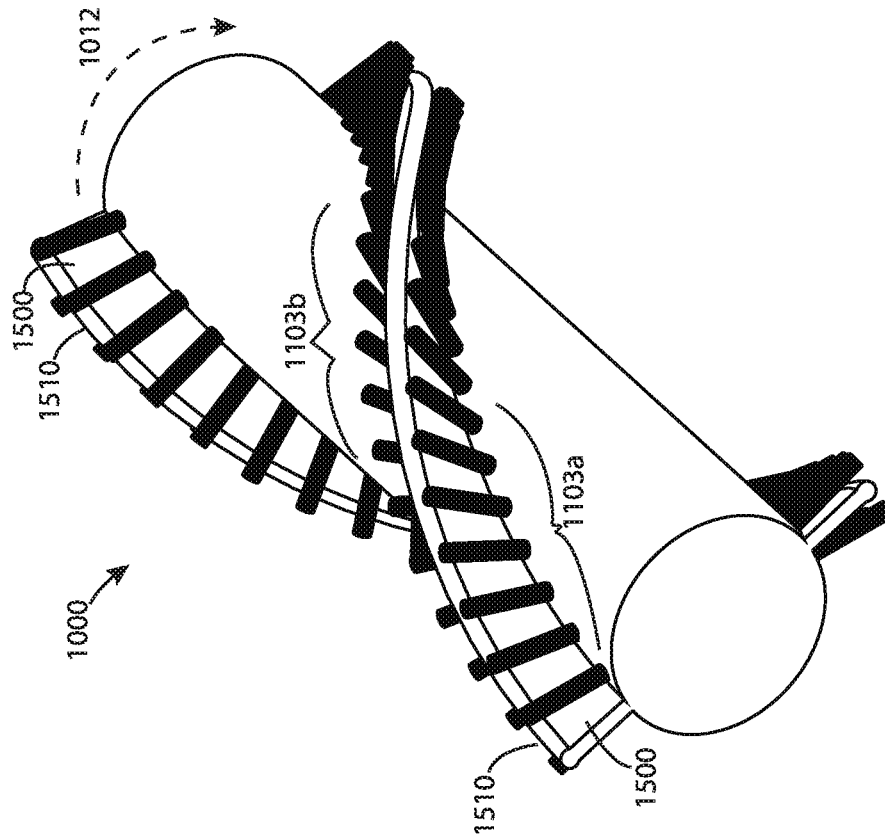
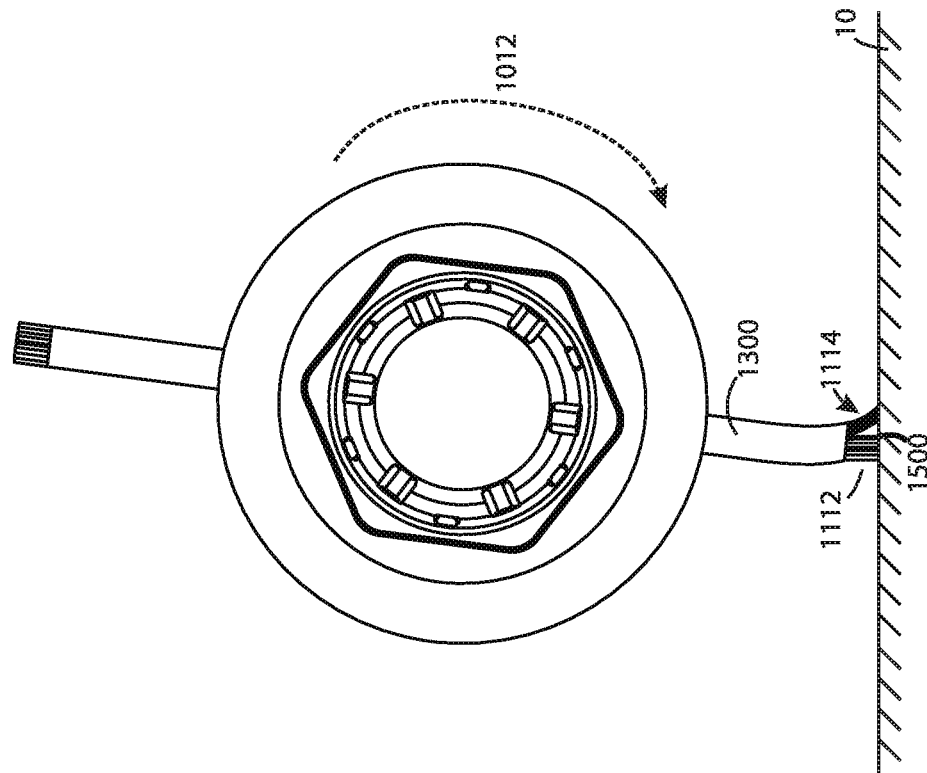


FIG. 40

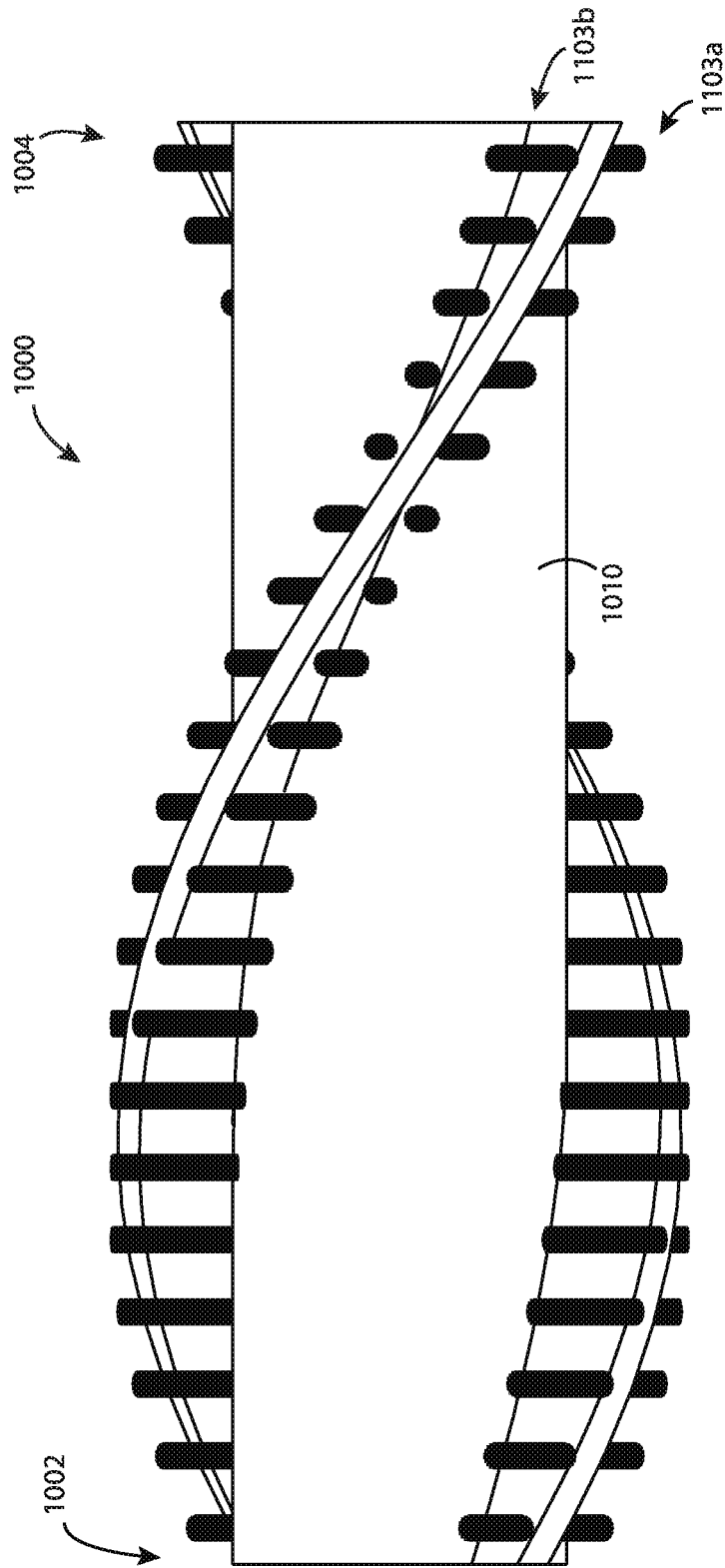


FIG. 41

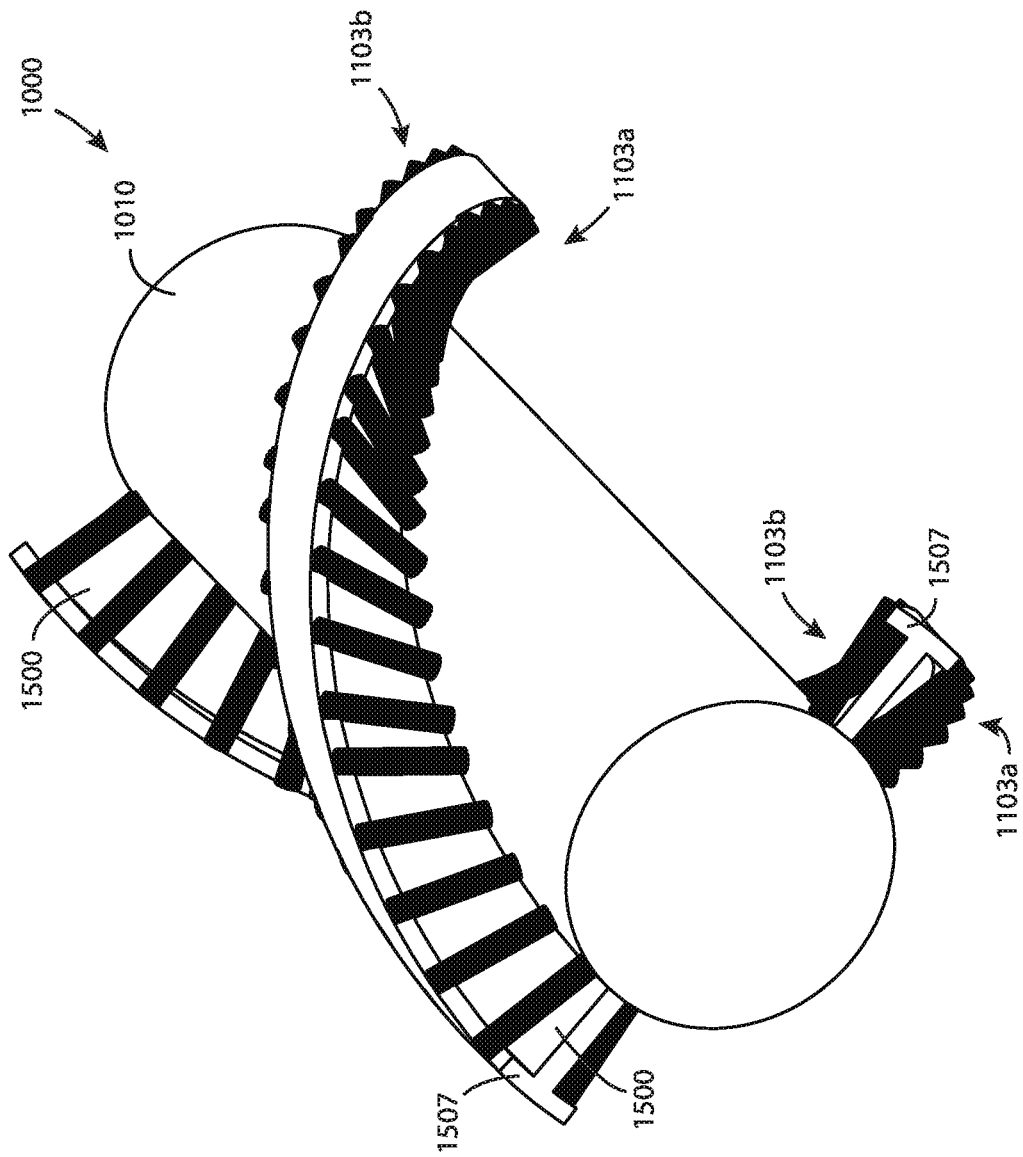


FIG. 42

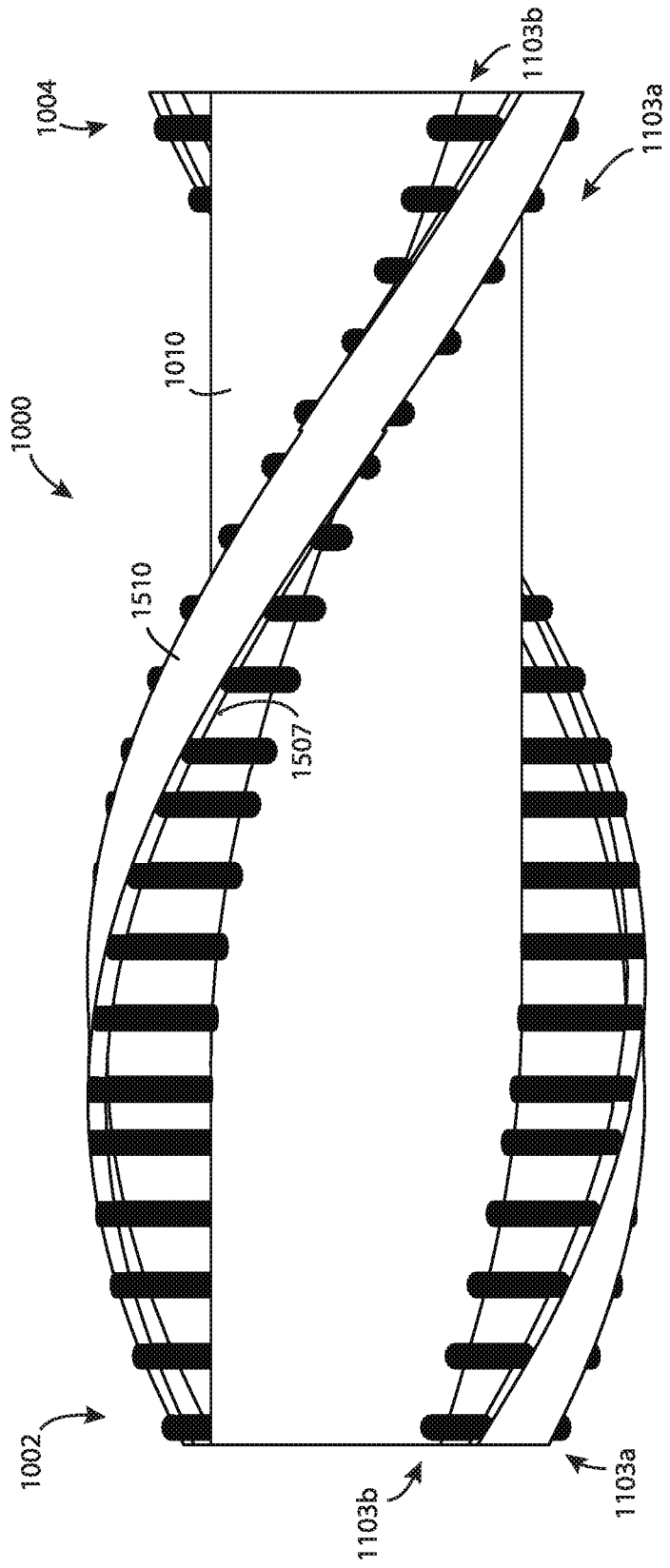


FIG. 43

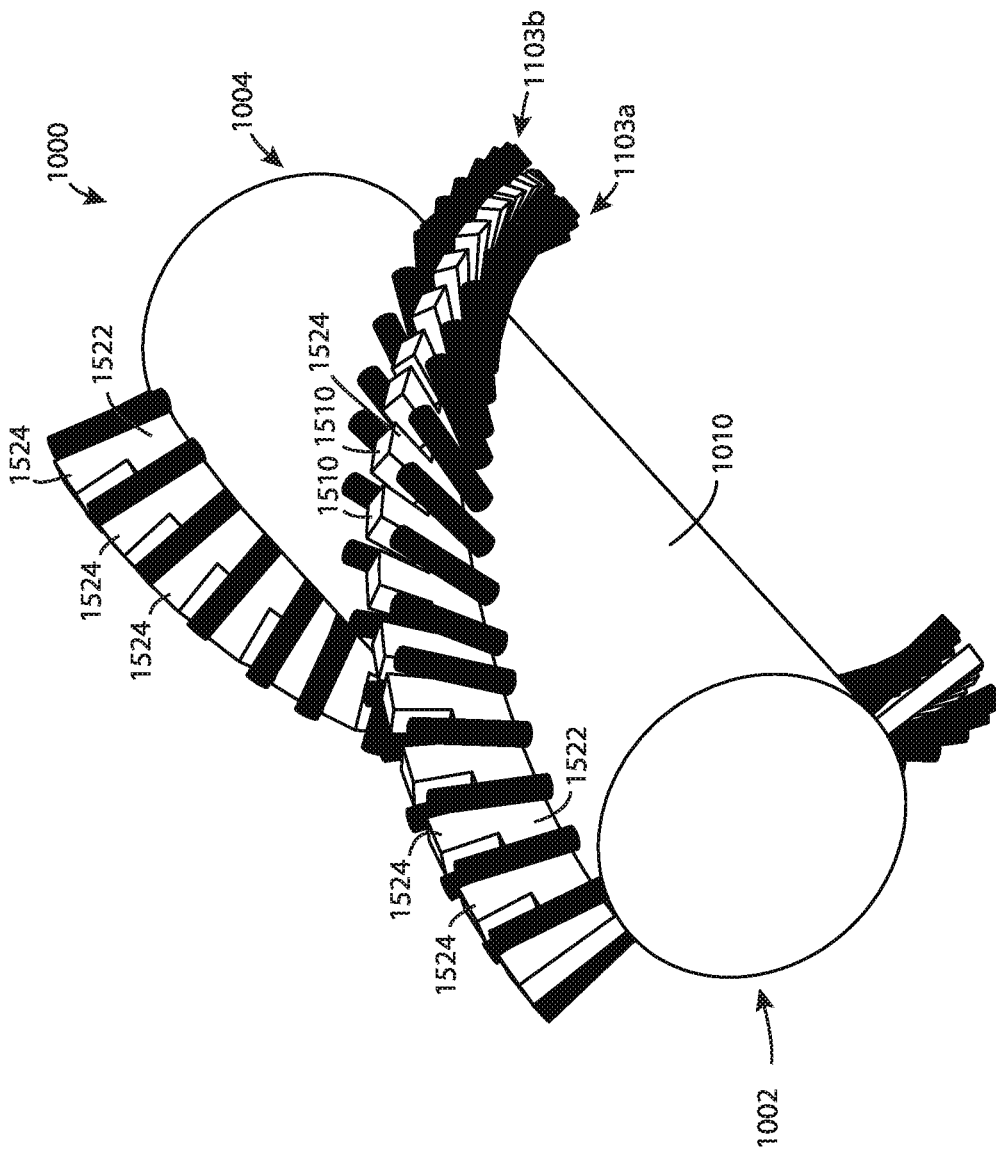


FIG. 44

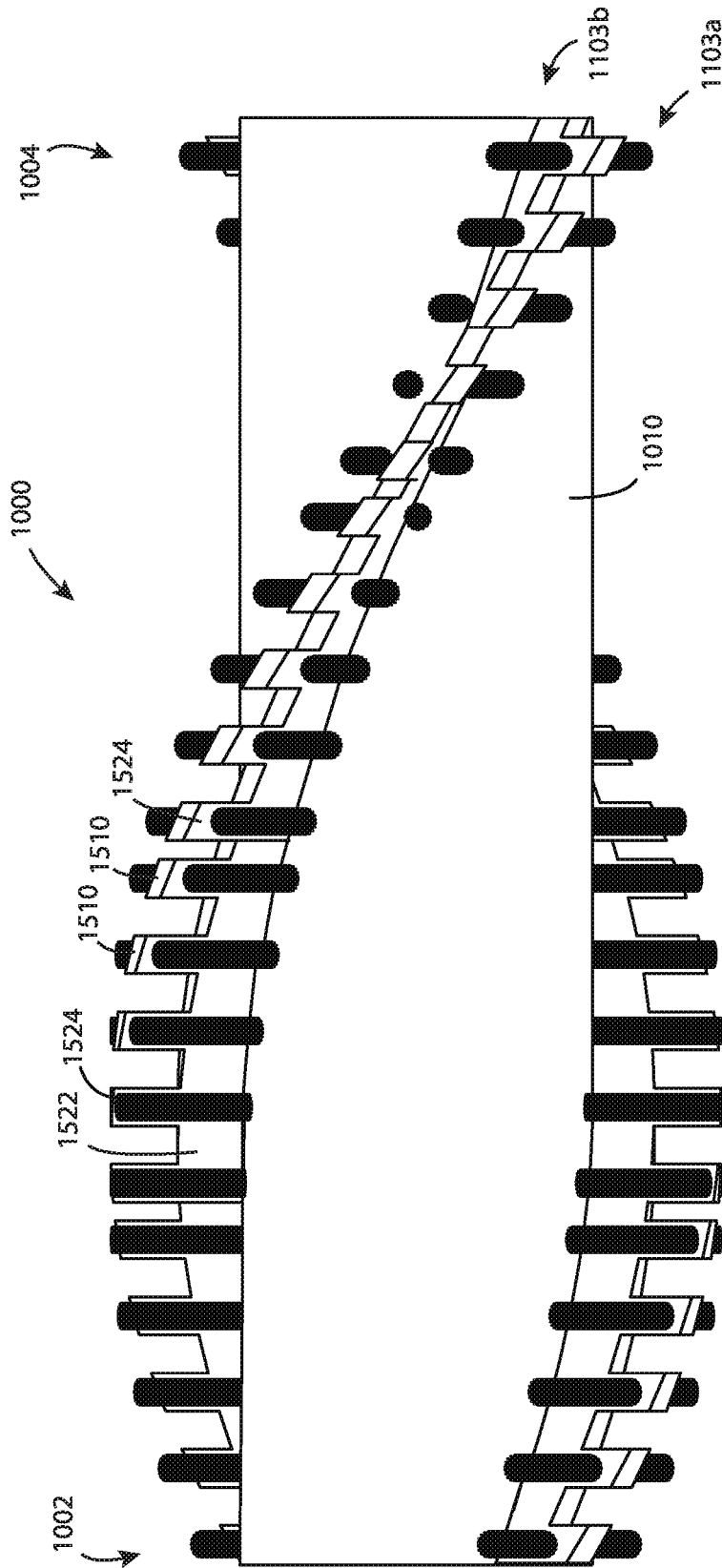


FIG. 45

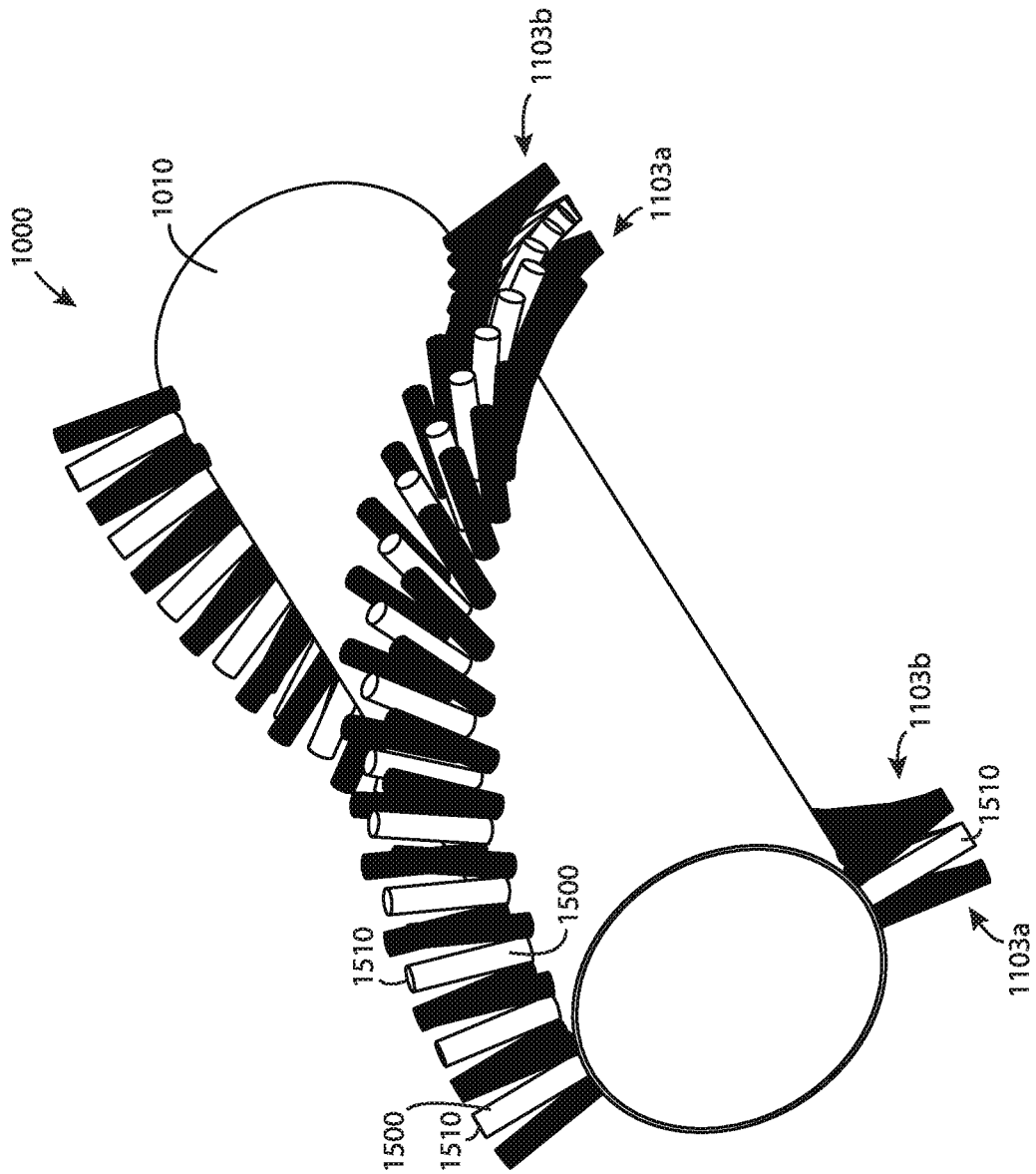


FIG. 46

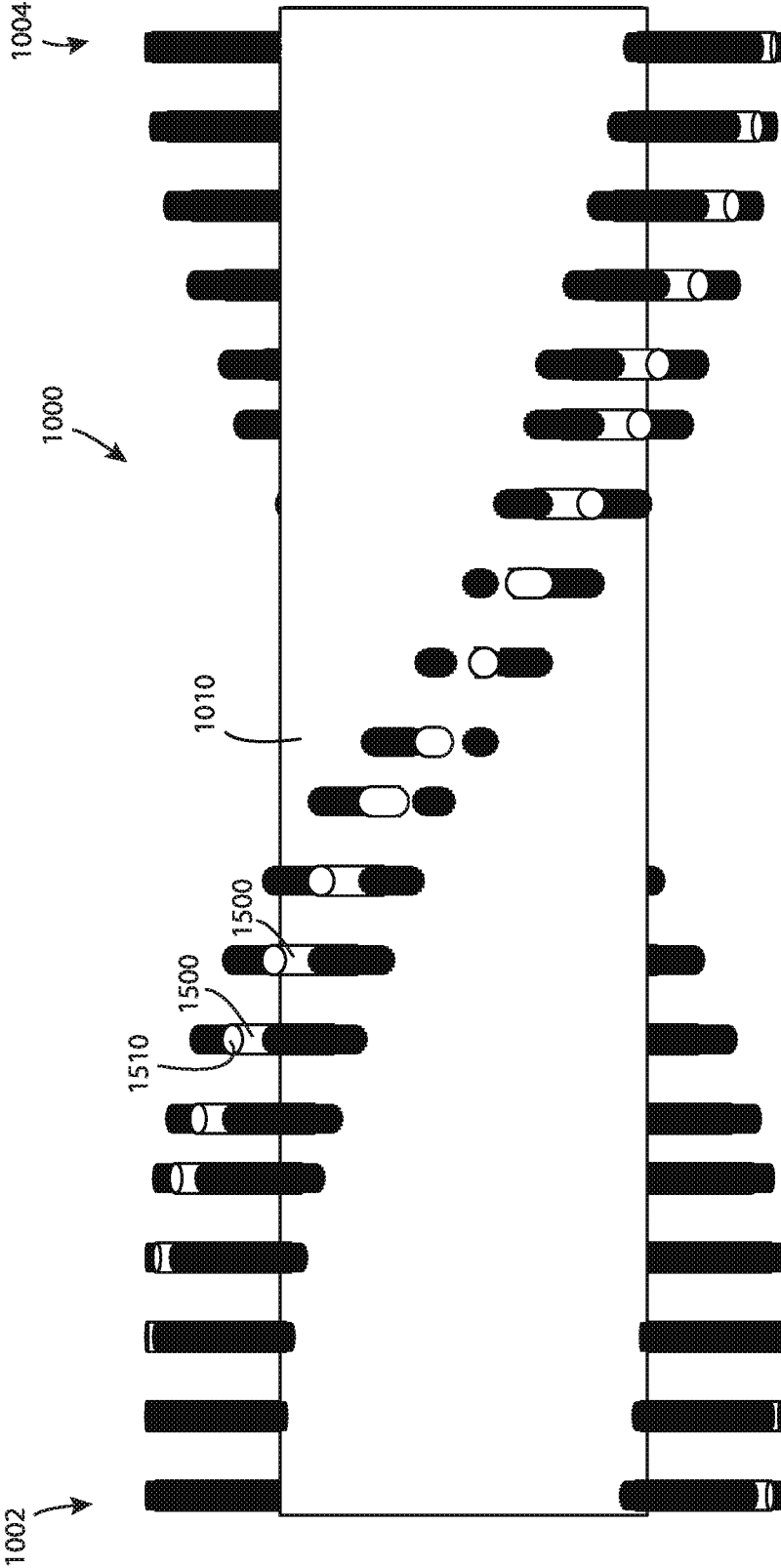


FIG. 47

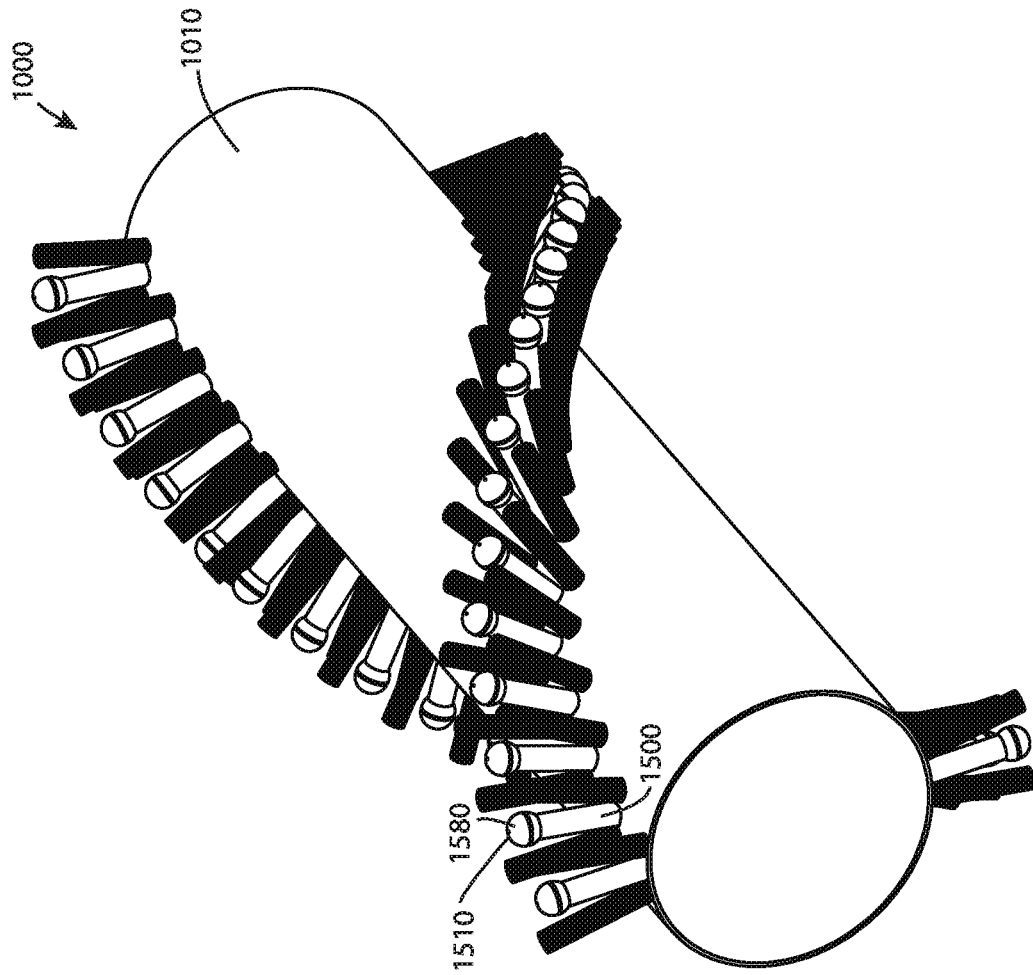


FIG. 48

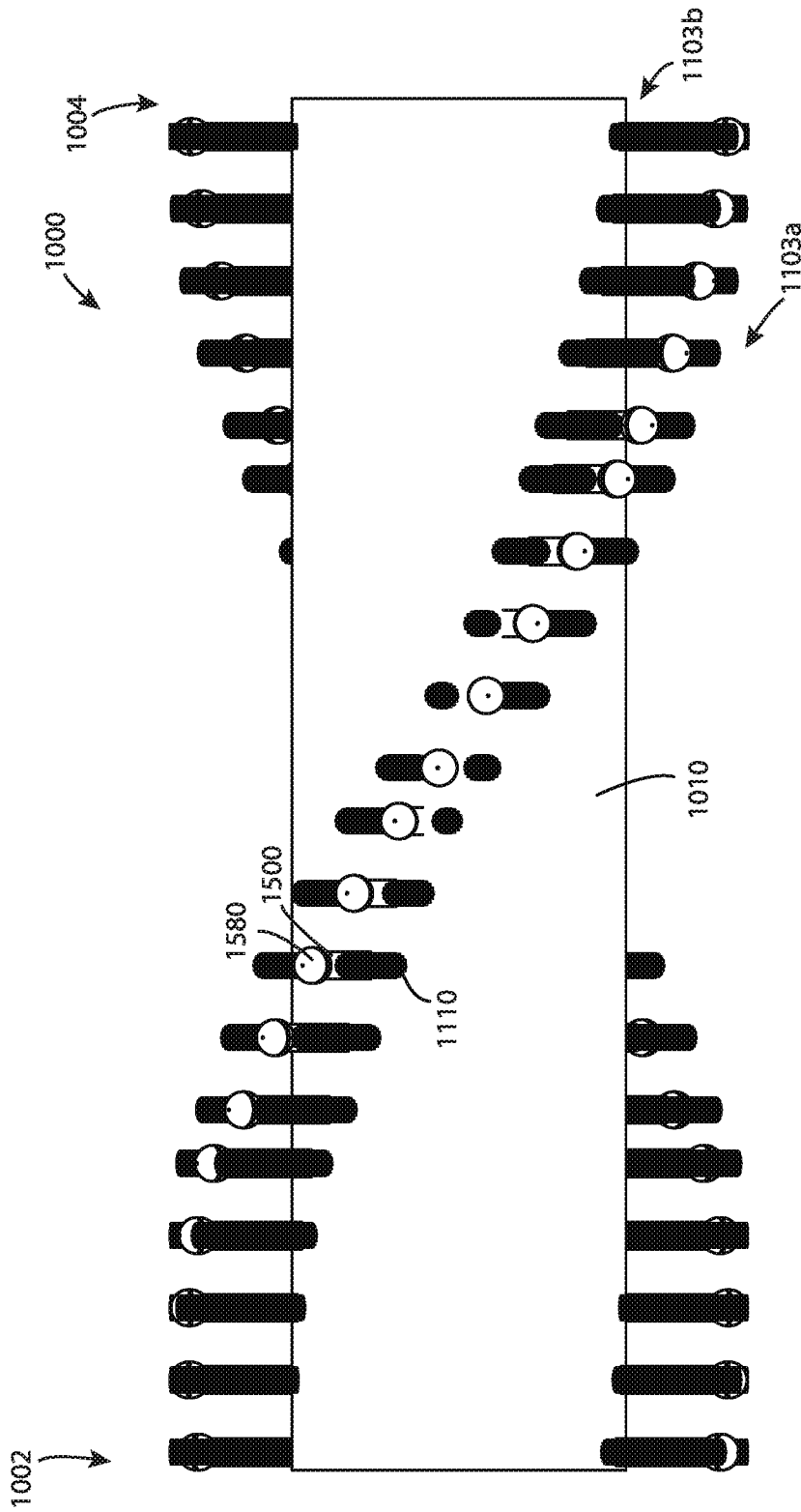


FIG. 49

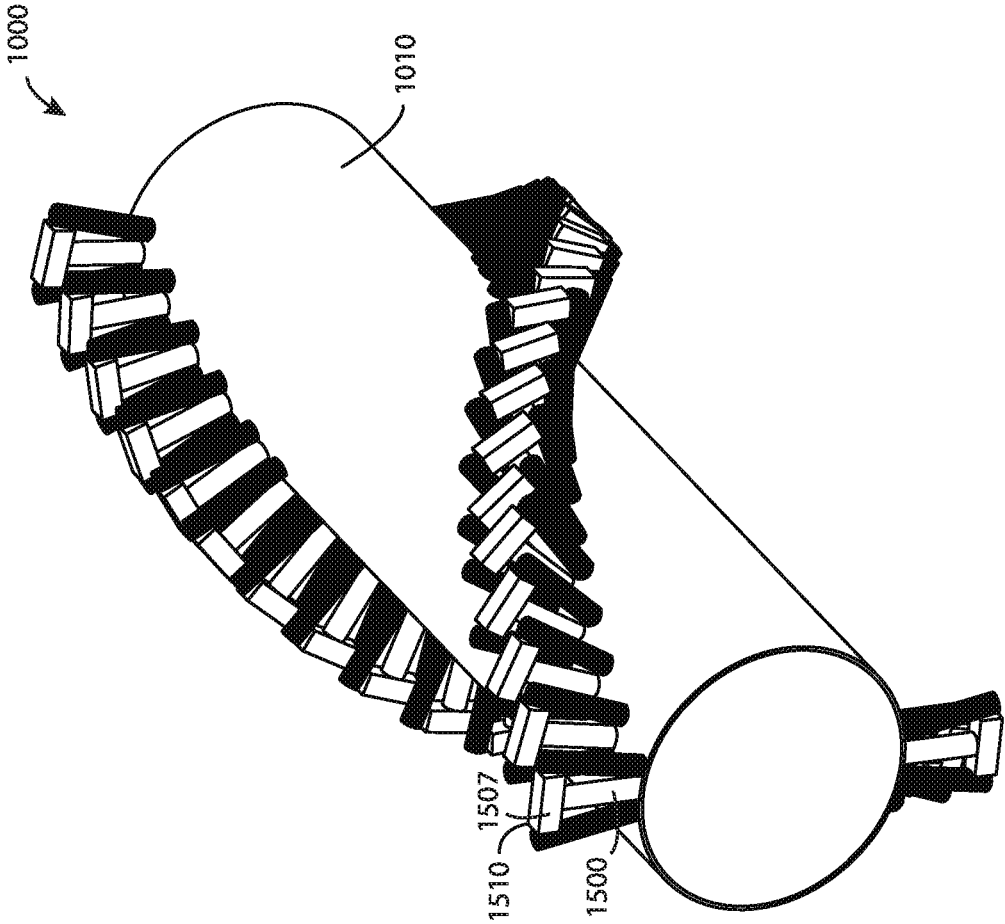


FIG. 50

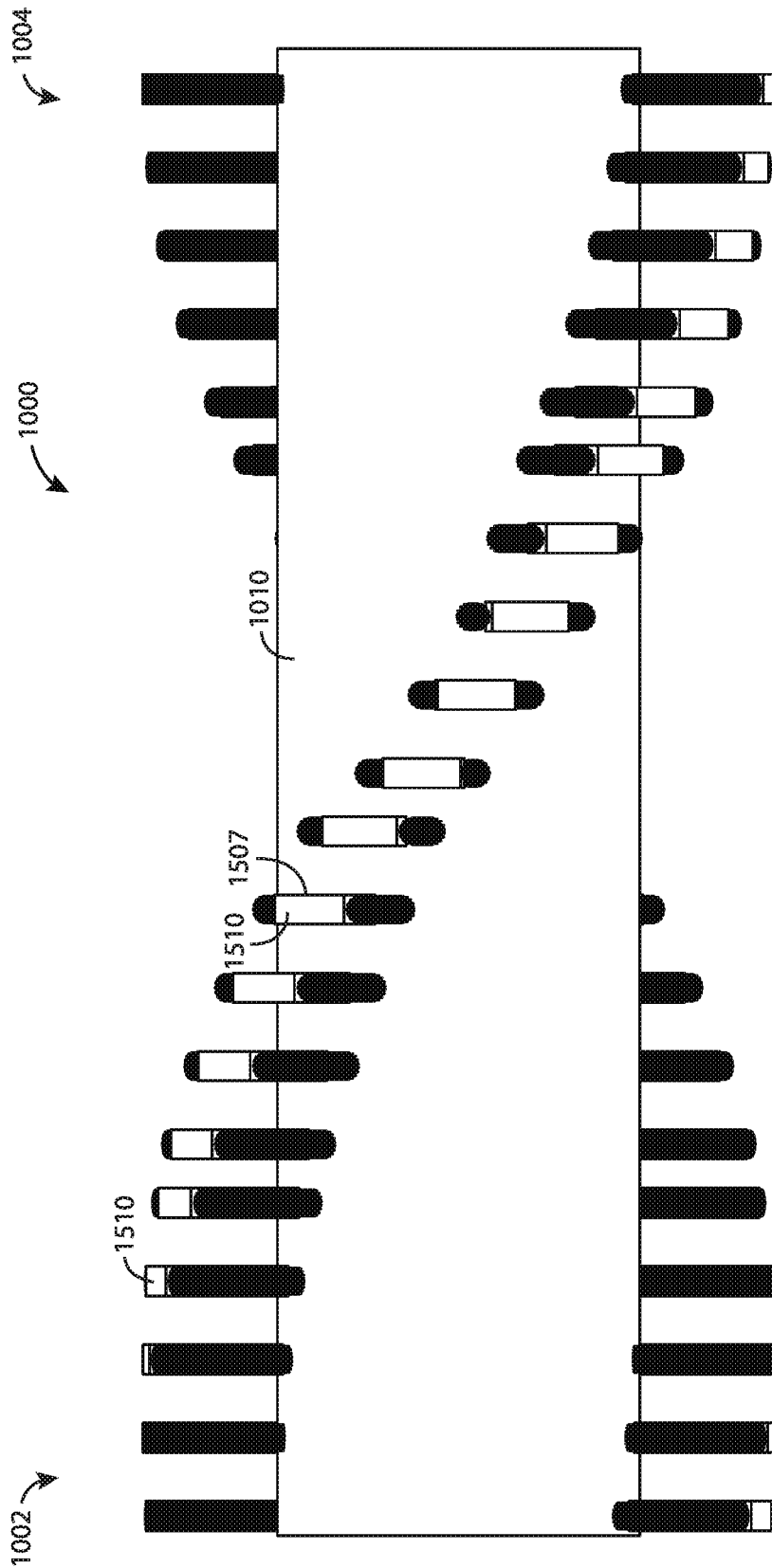


FIG. 51

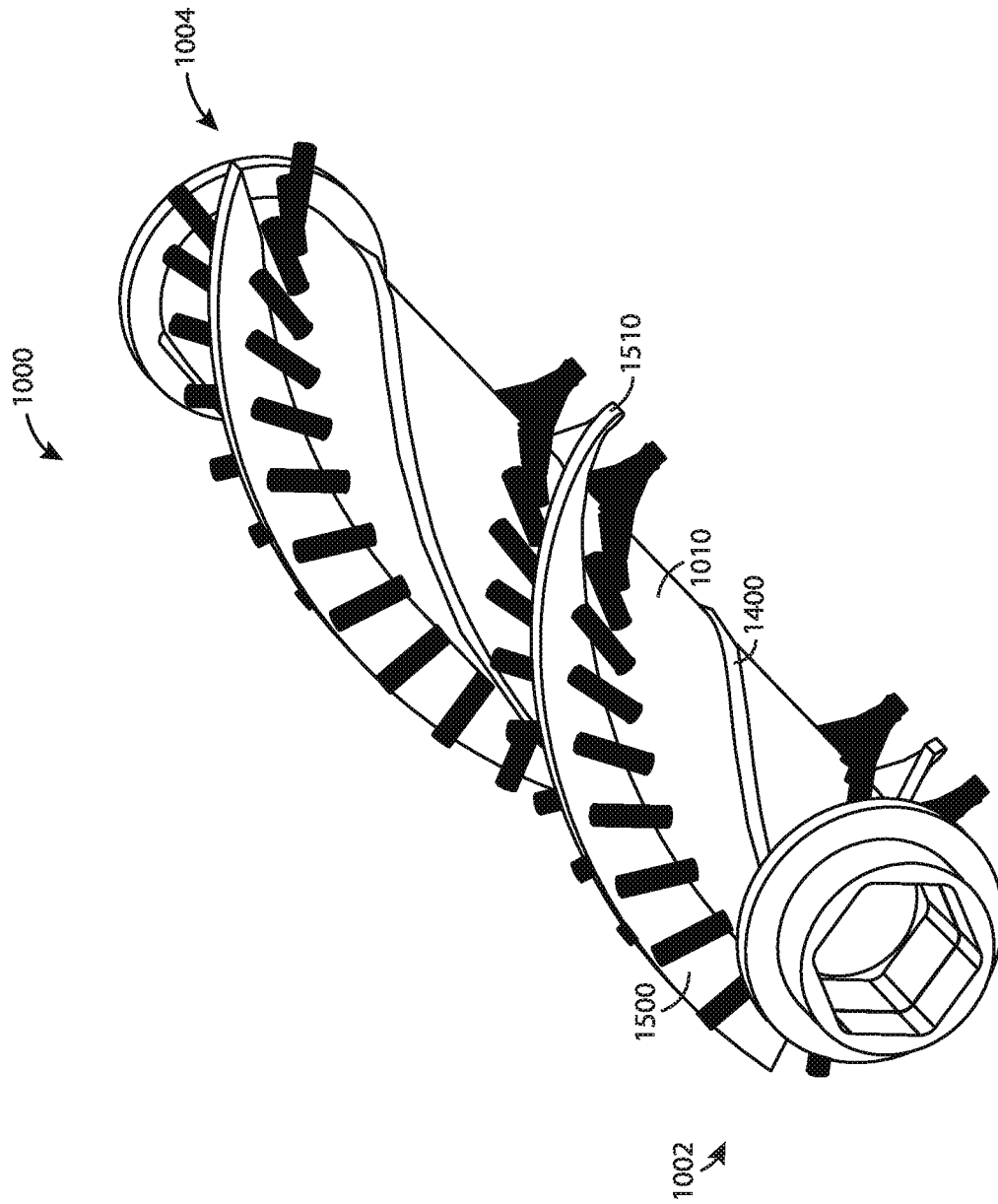


FIG. 52

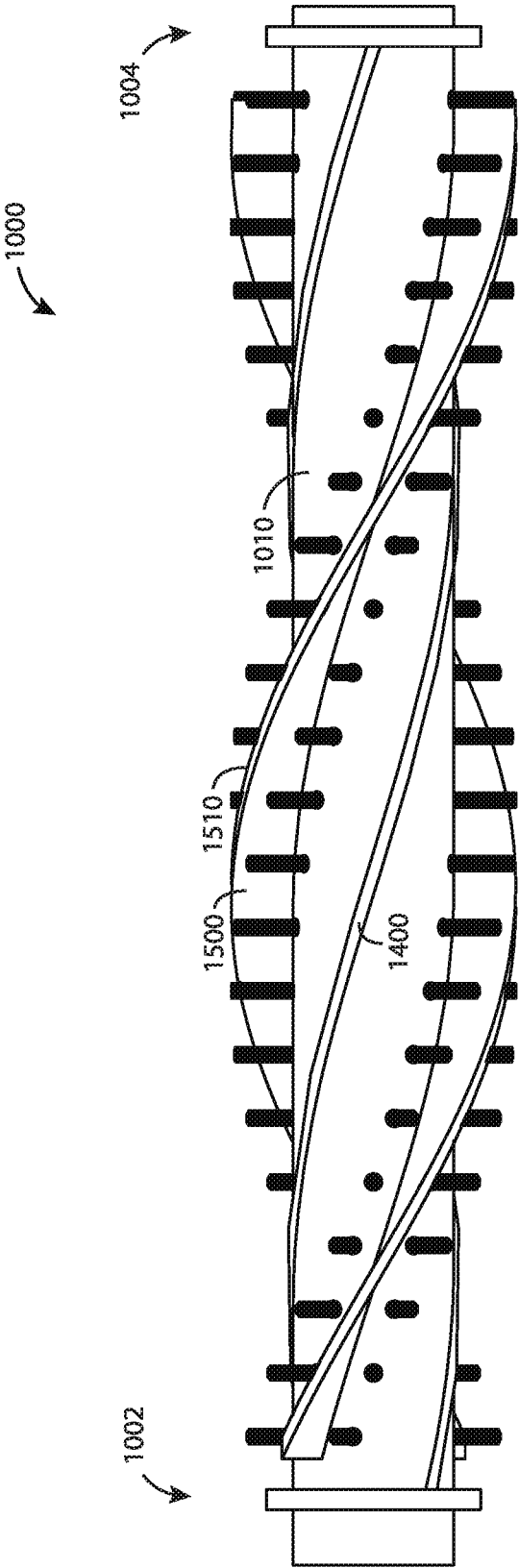


FIG. 53

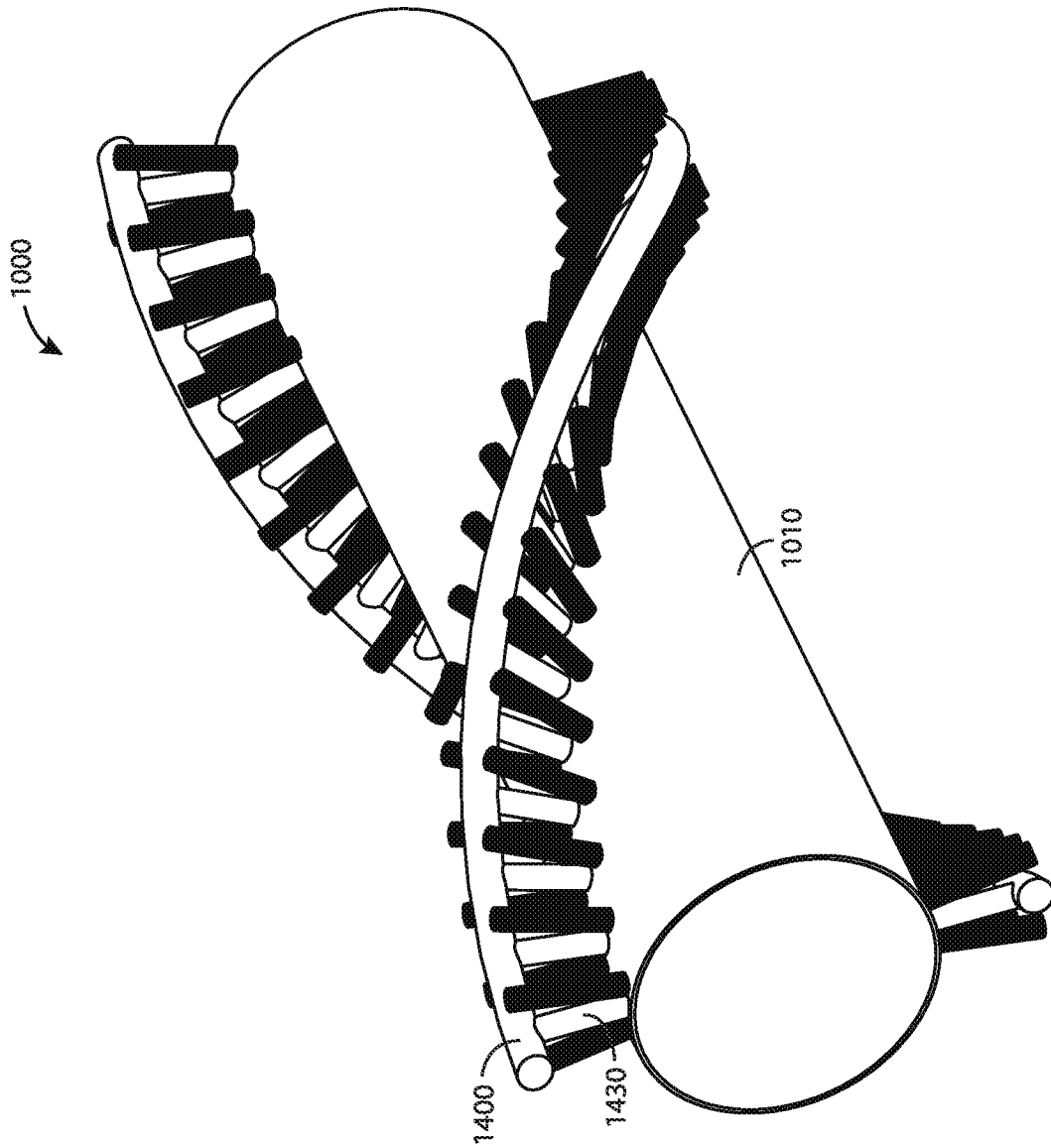


FIG. 54

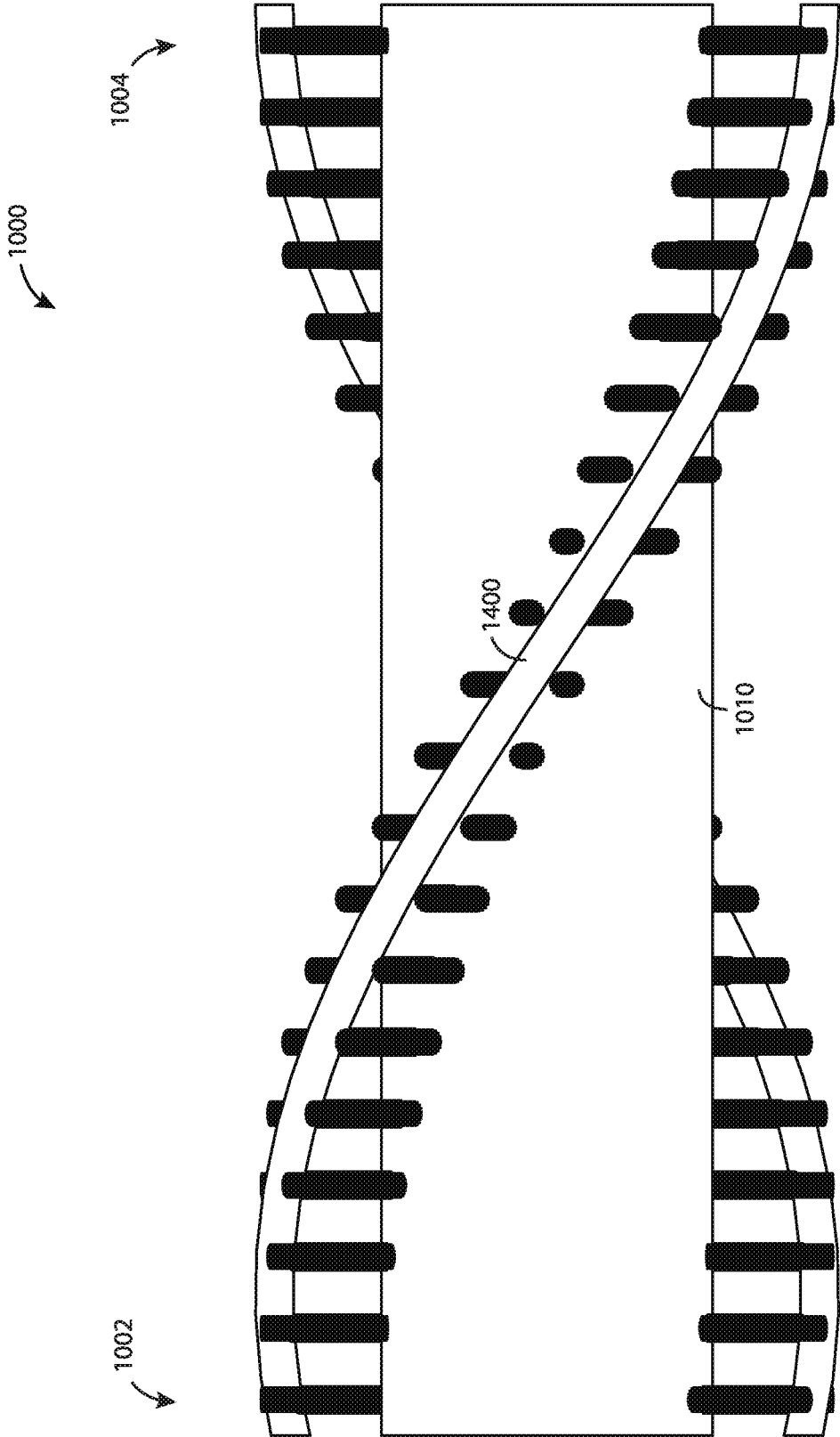


FIG. 55

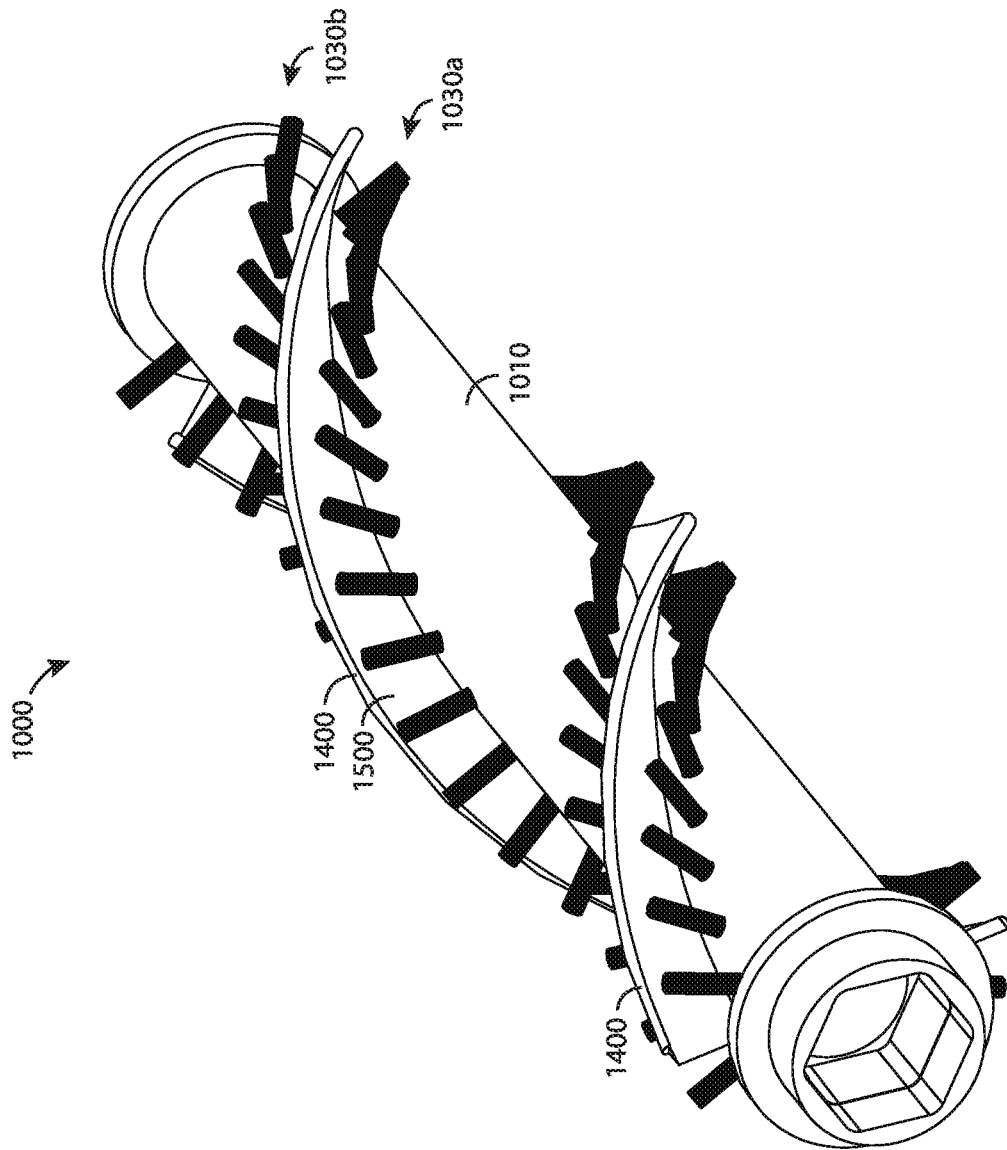


FIG. 56

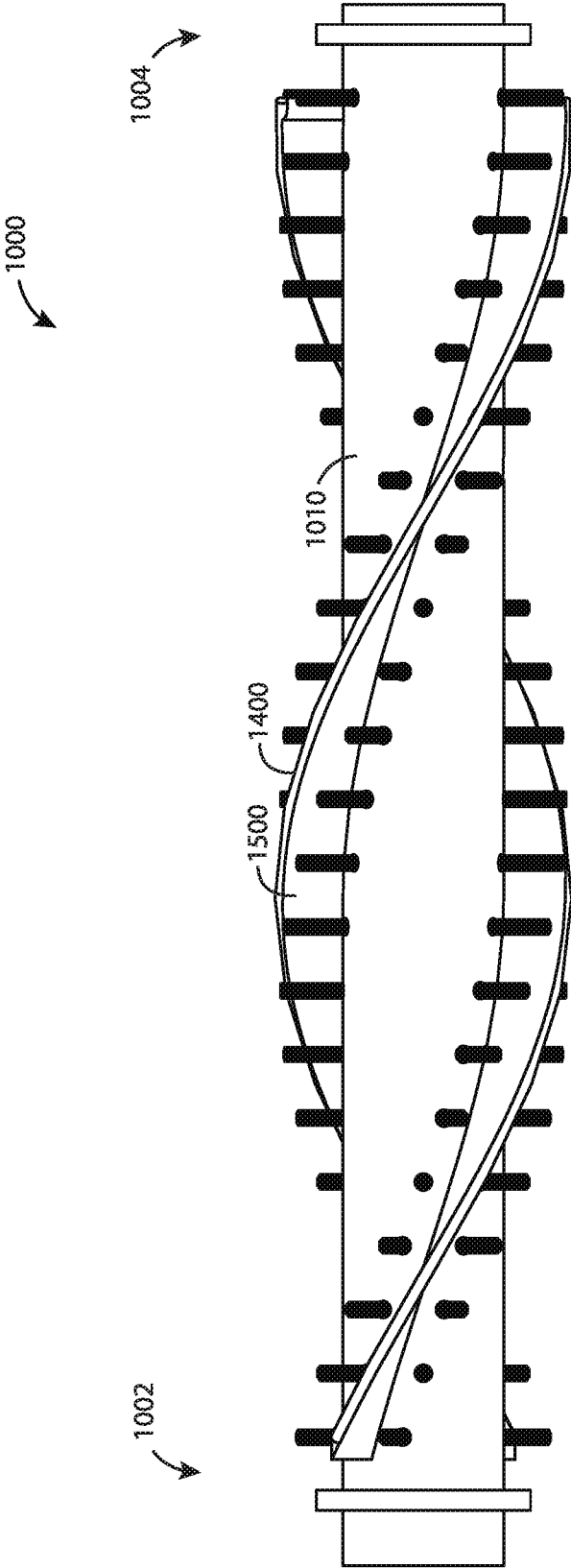


FIG. 57

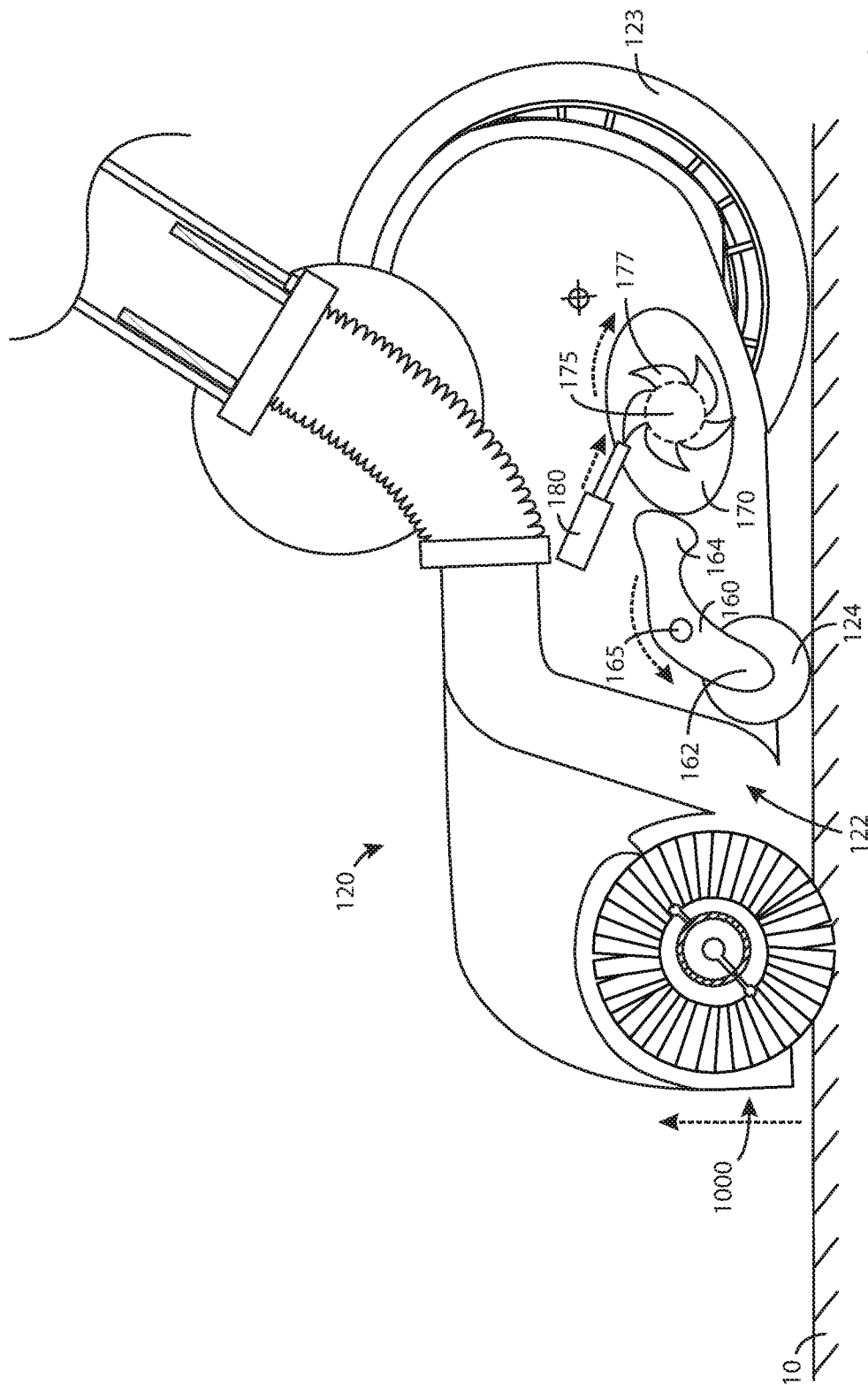
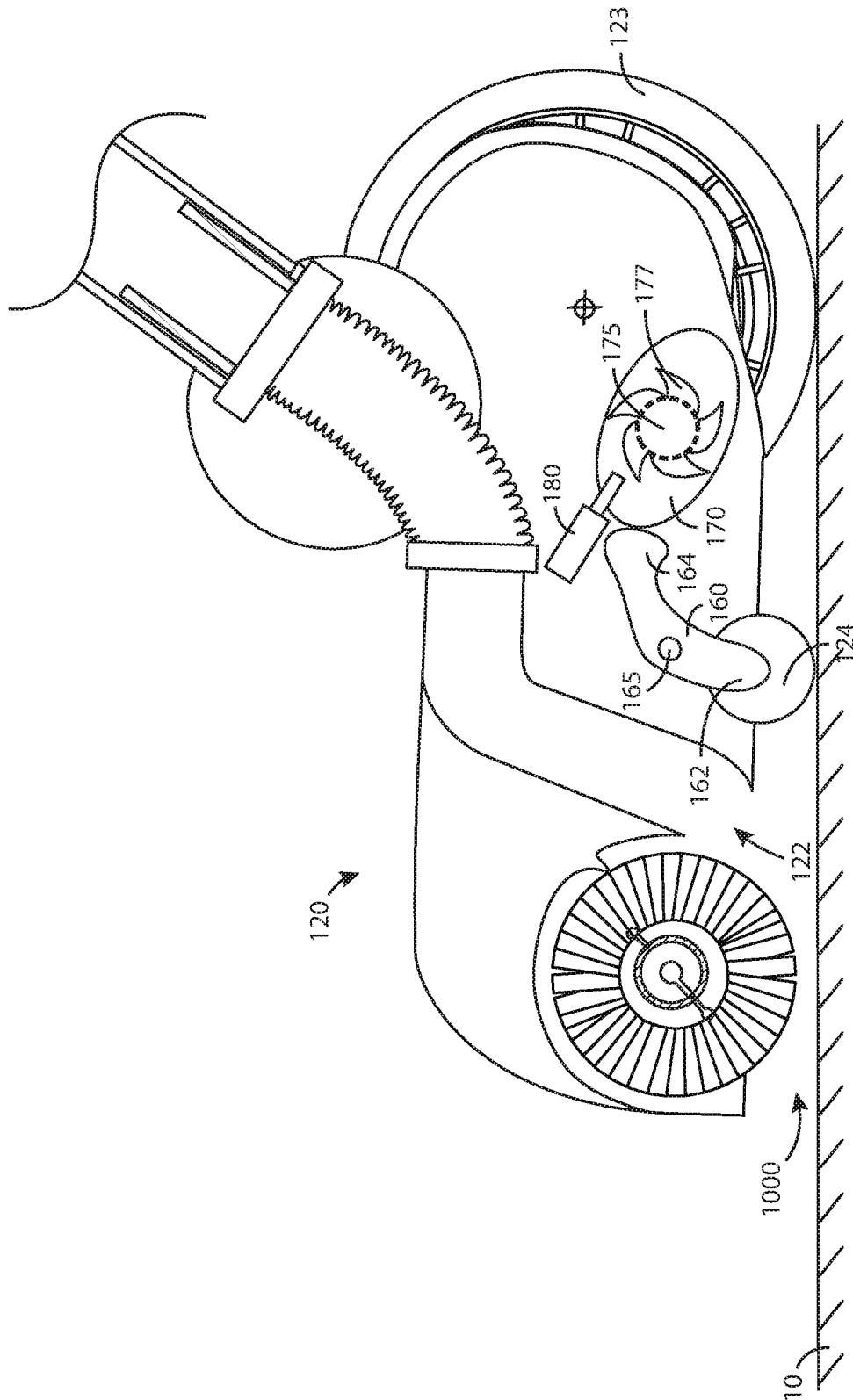
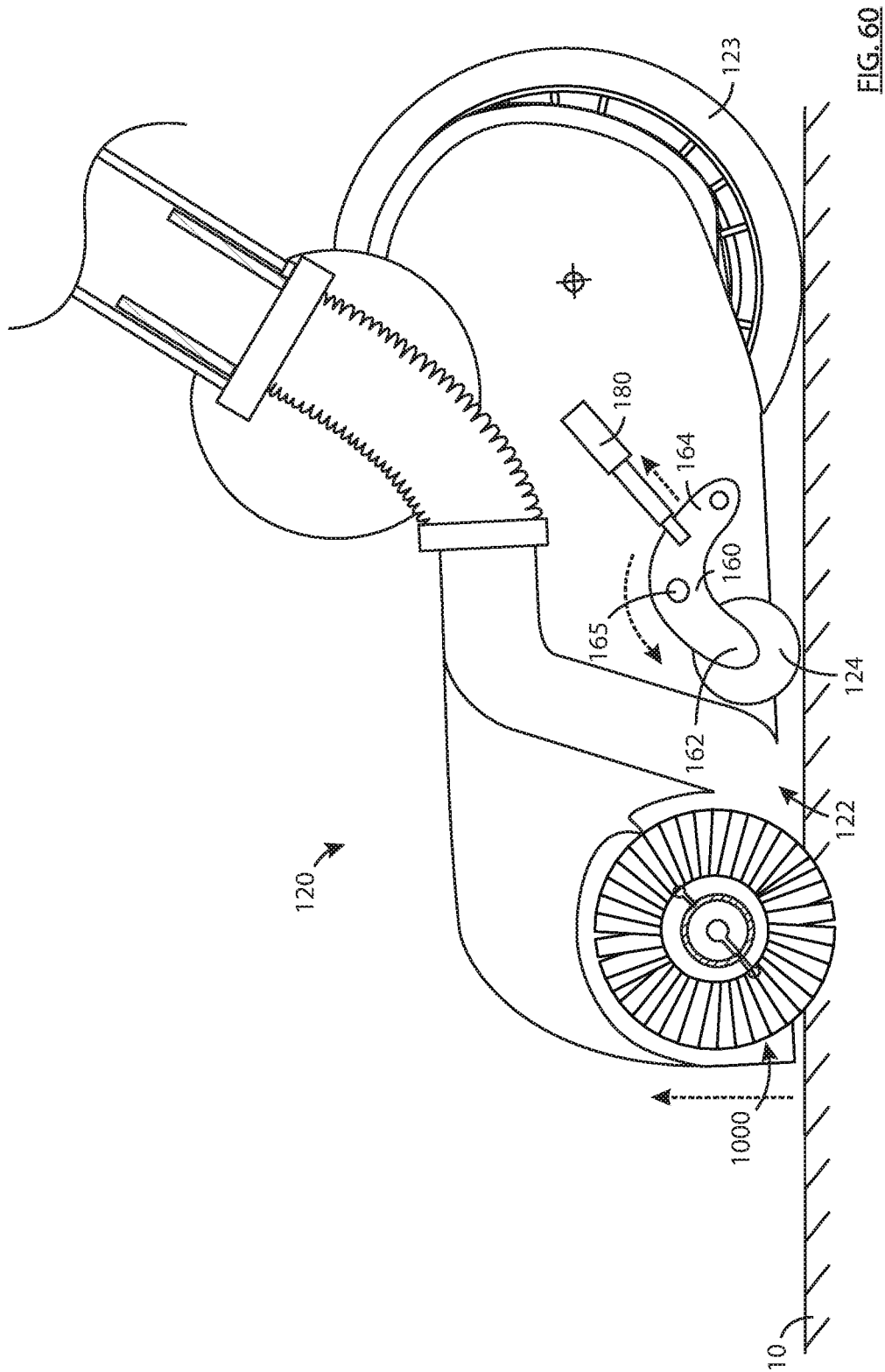
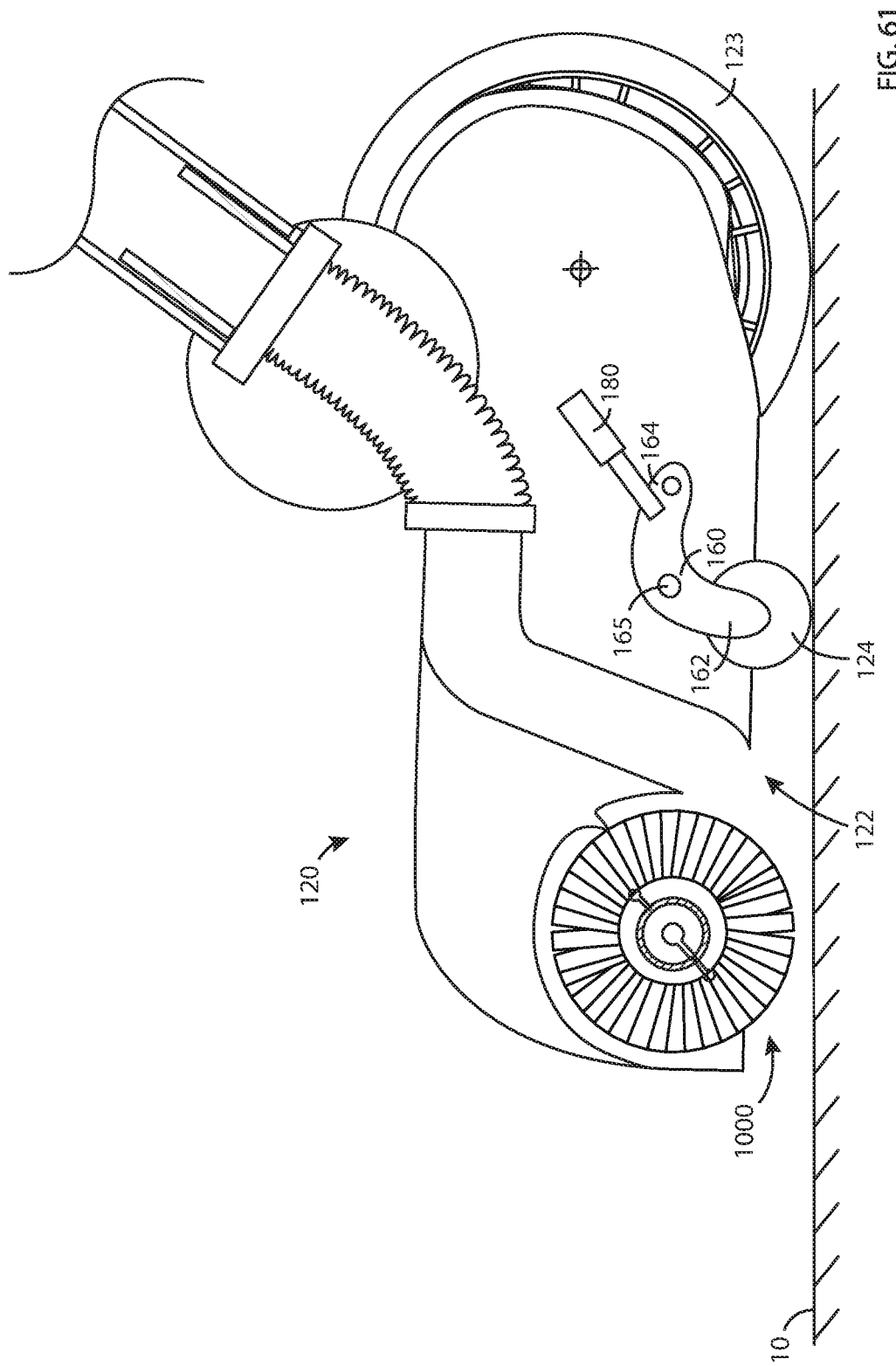
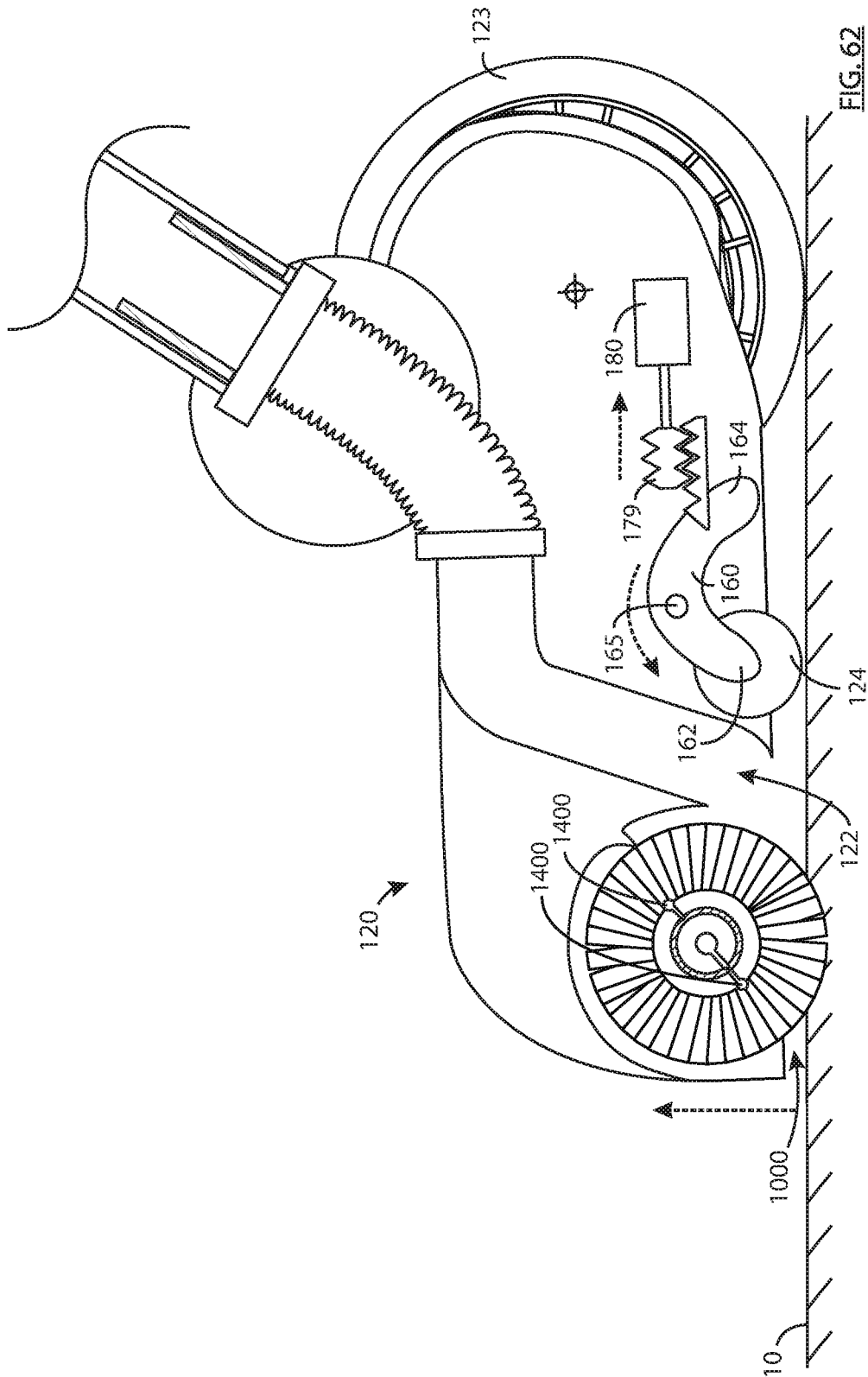


FIG. 58









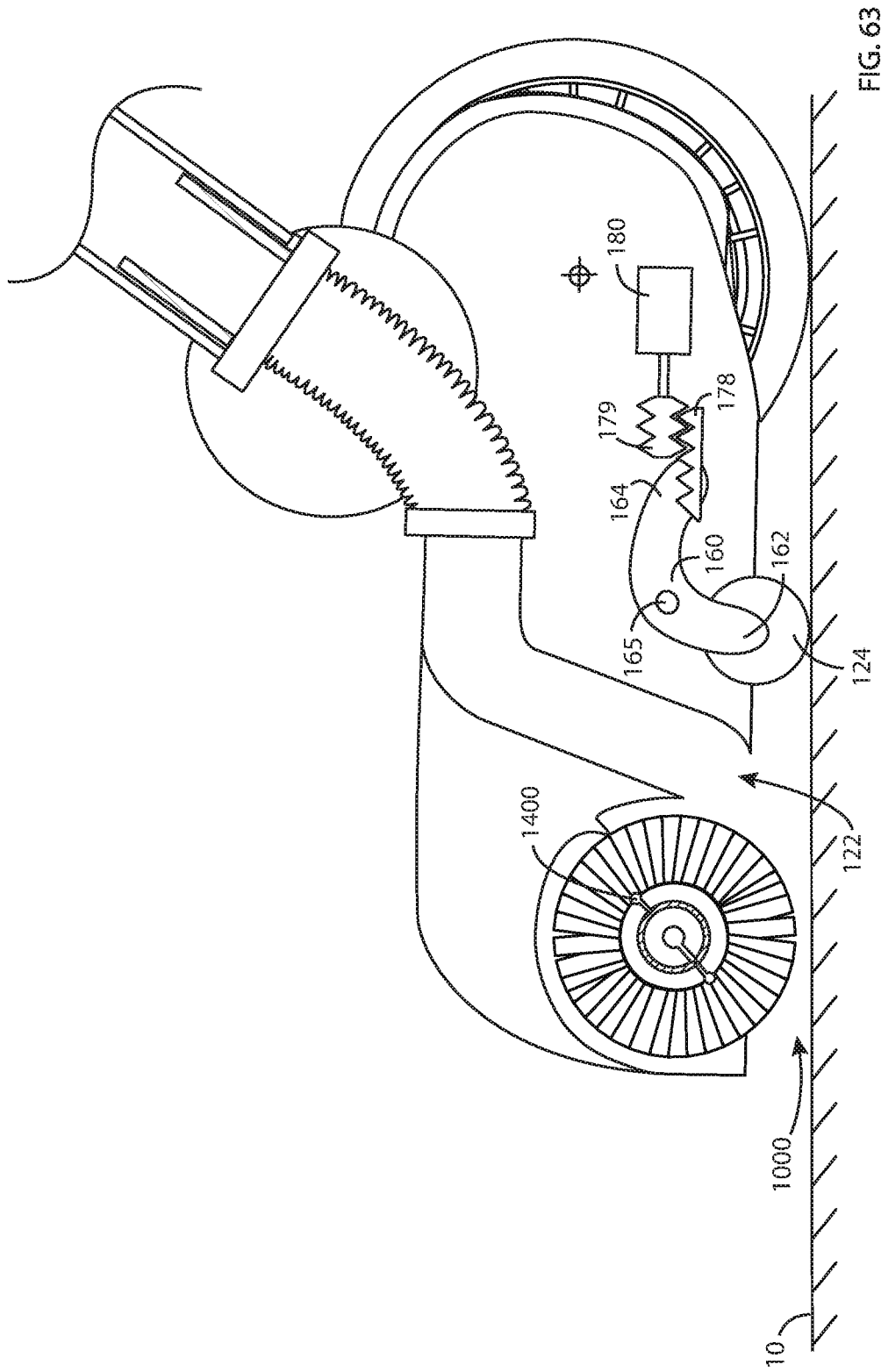


FIG. 63

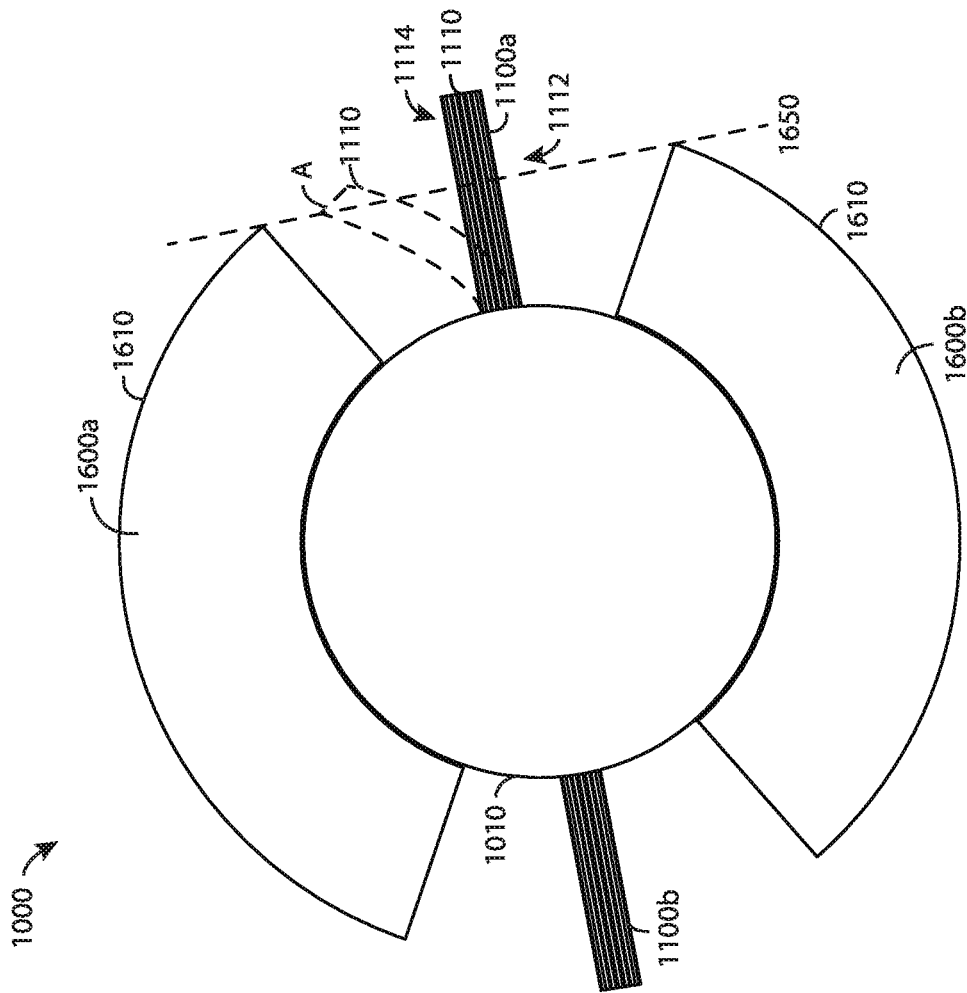


FIG. 64

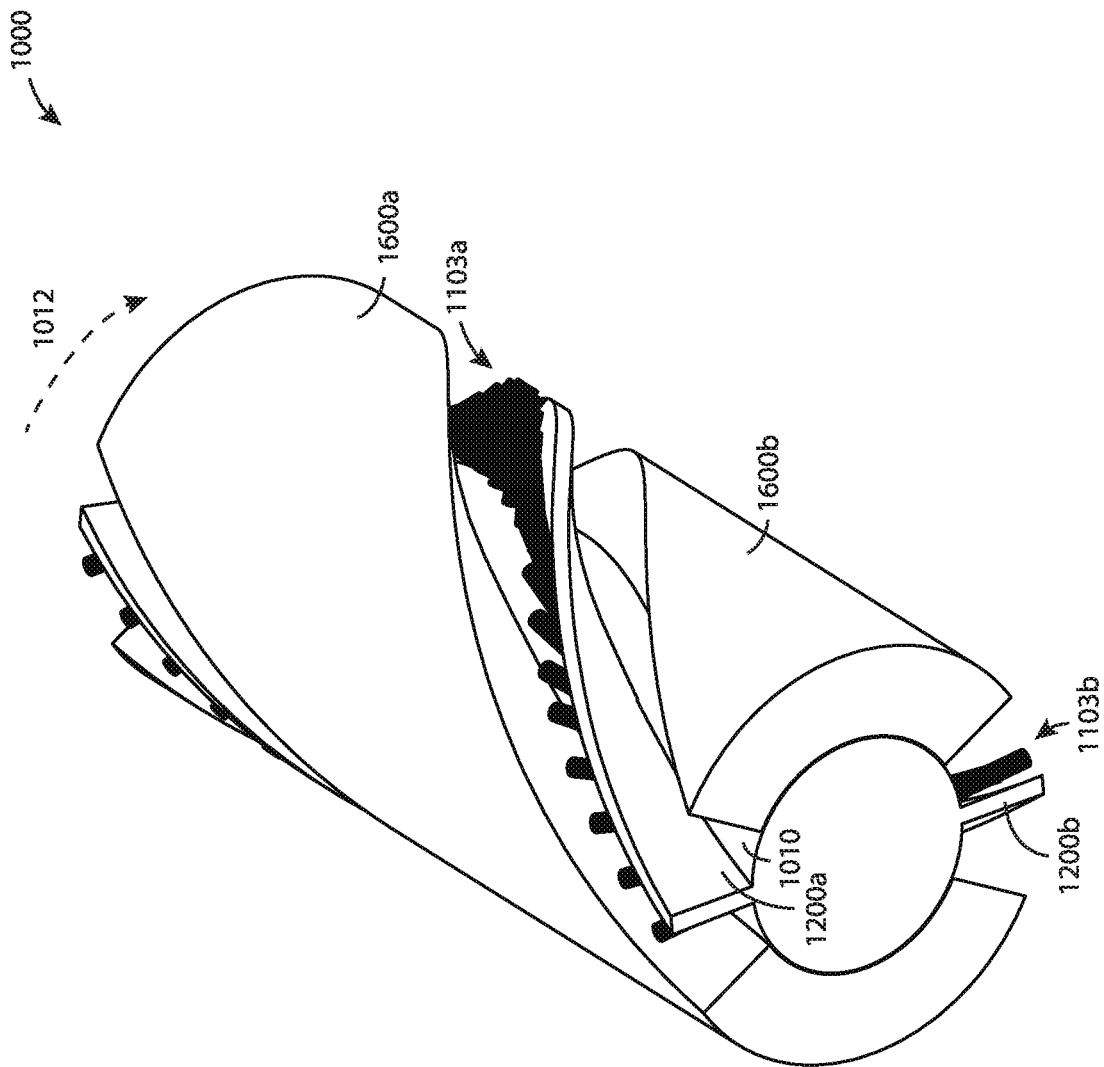


FIG. 65

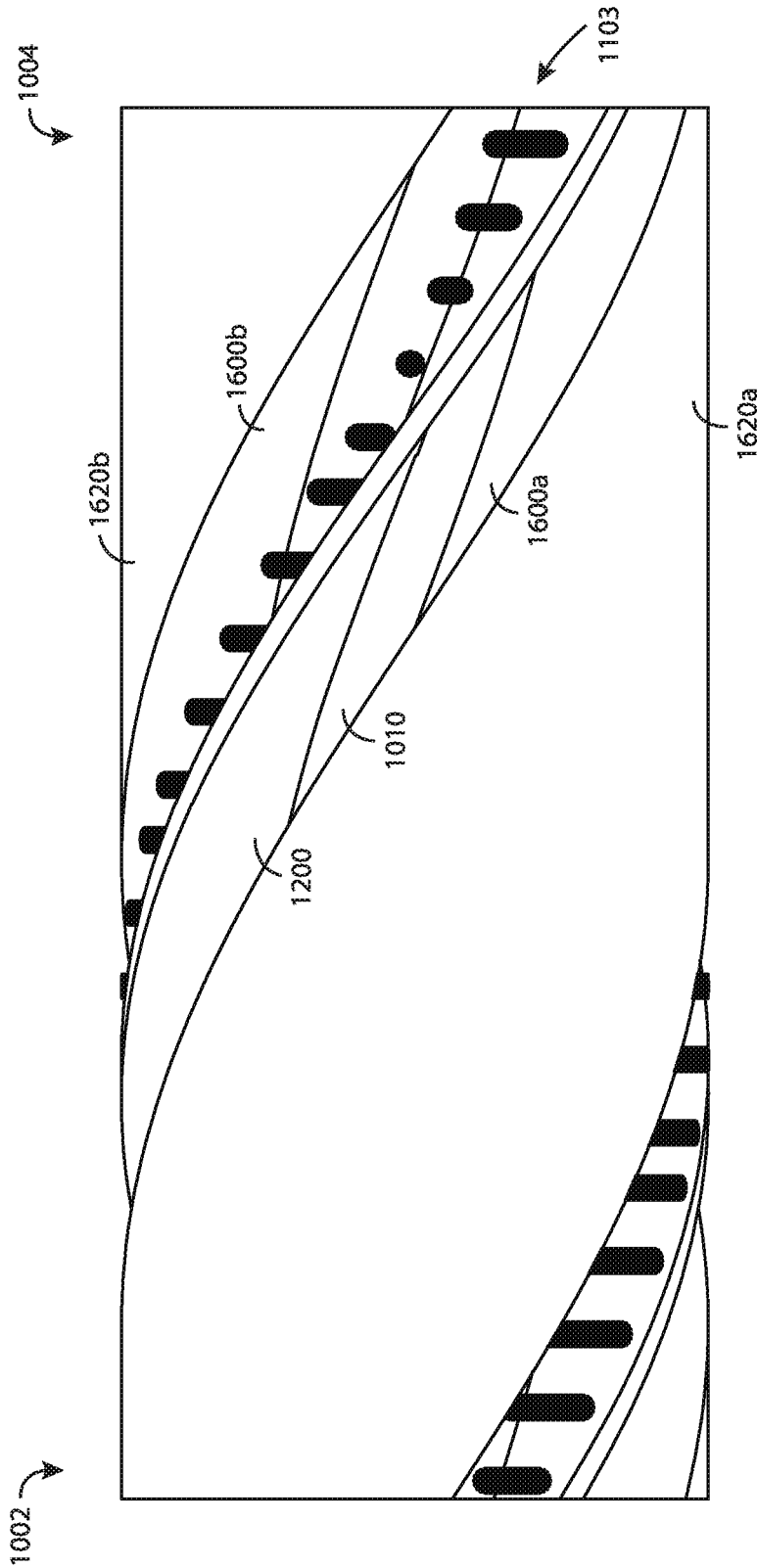


FIG. 66

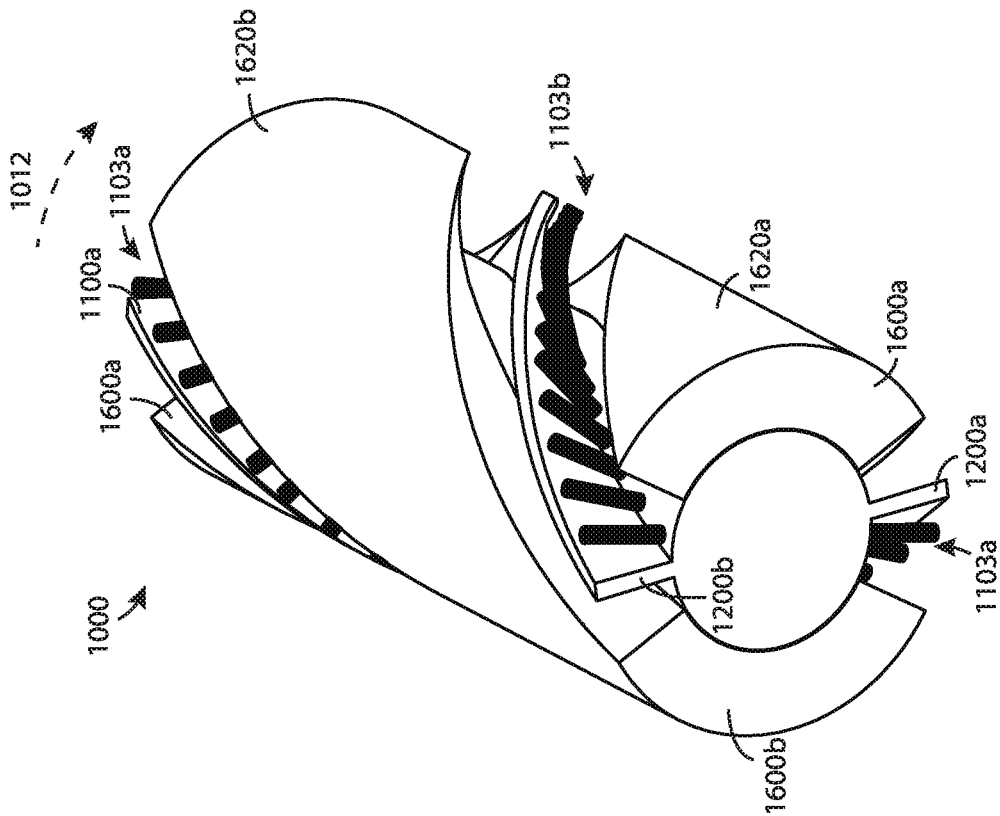


FIG. 67

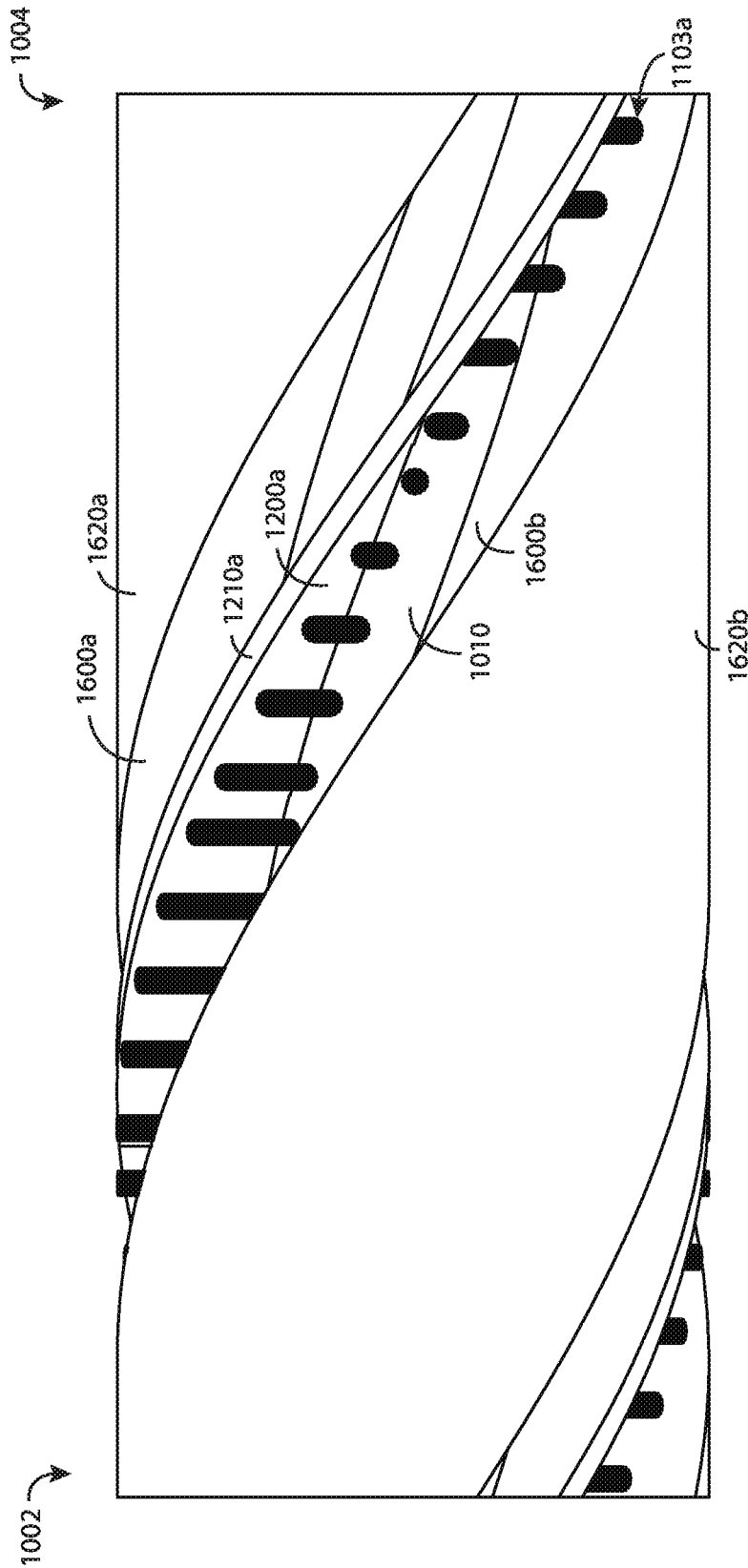


FIG. 68

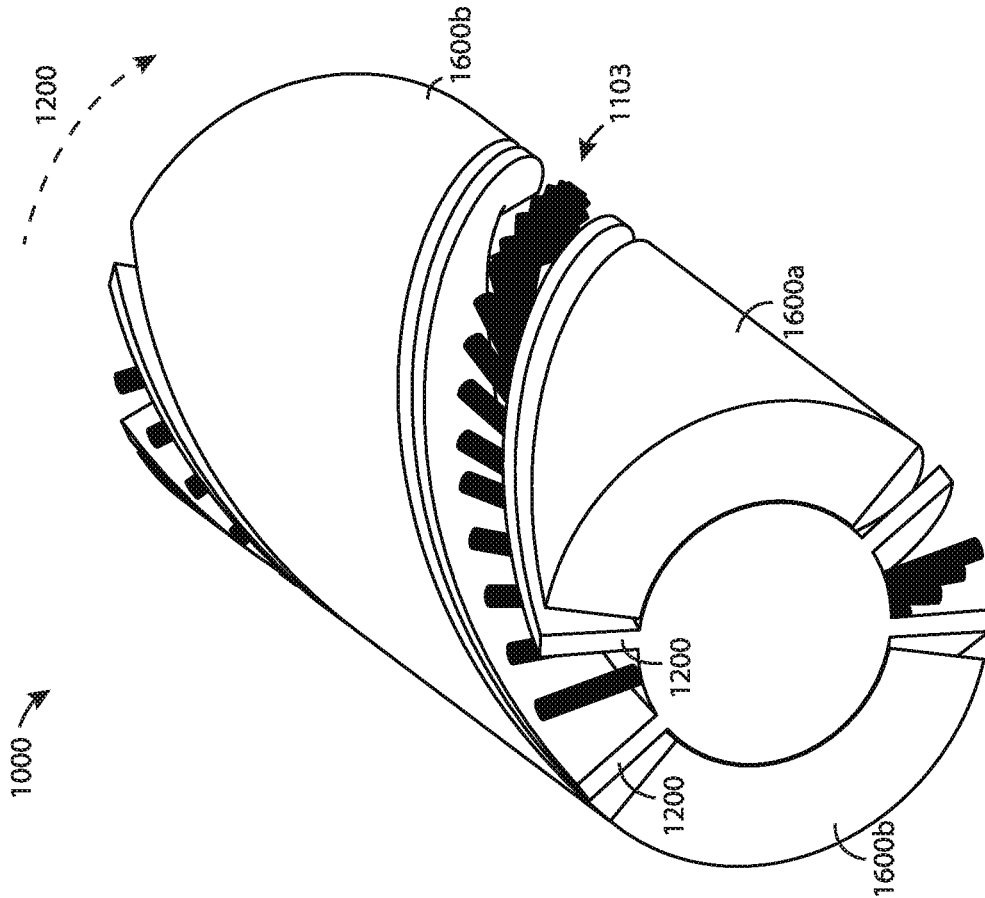


FIG. 69

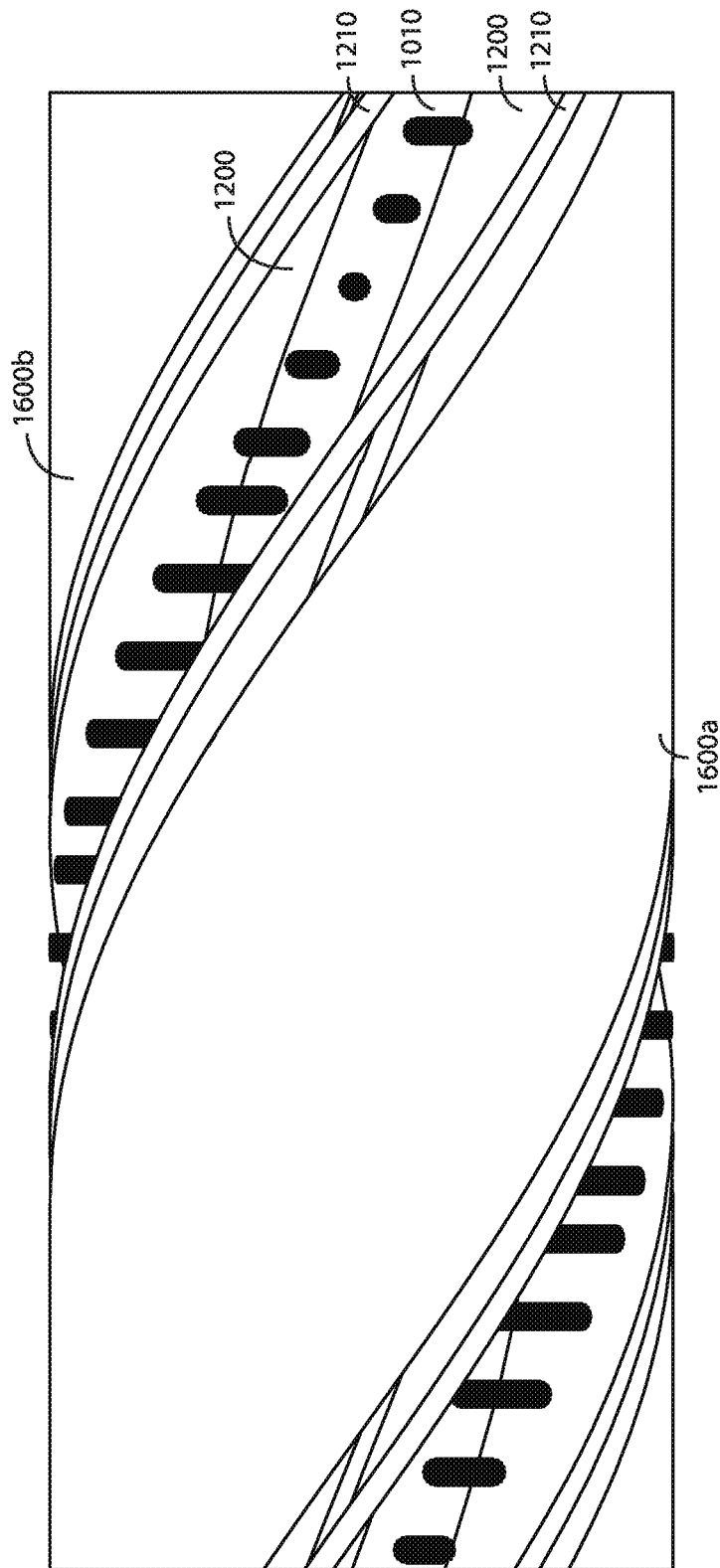


FIG. 70

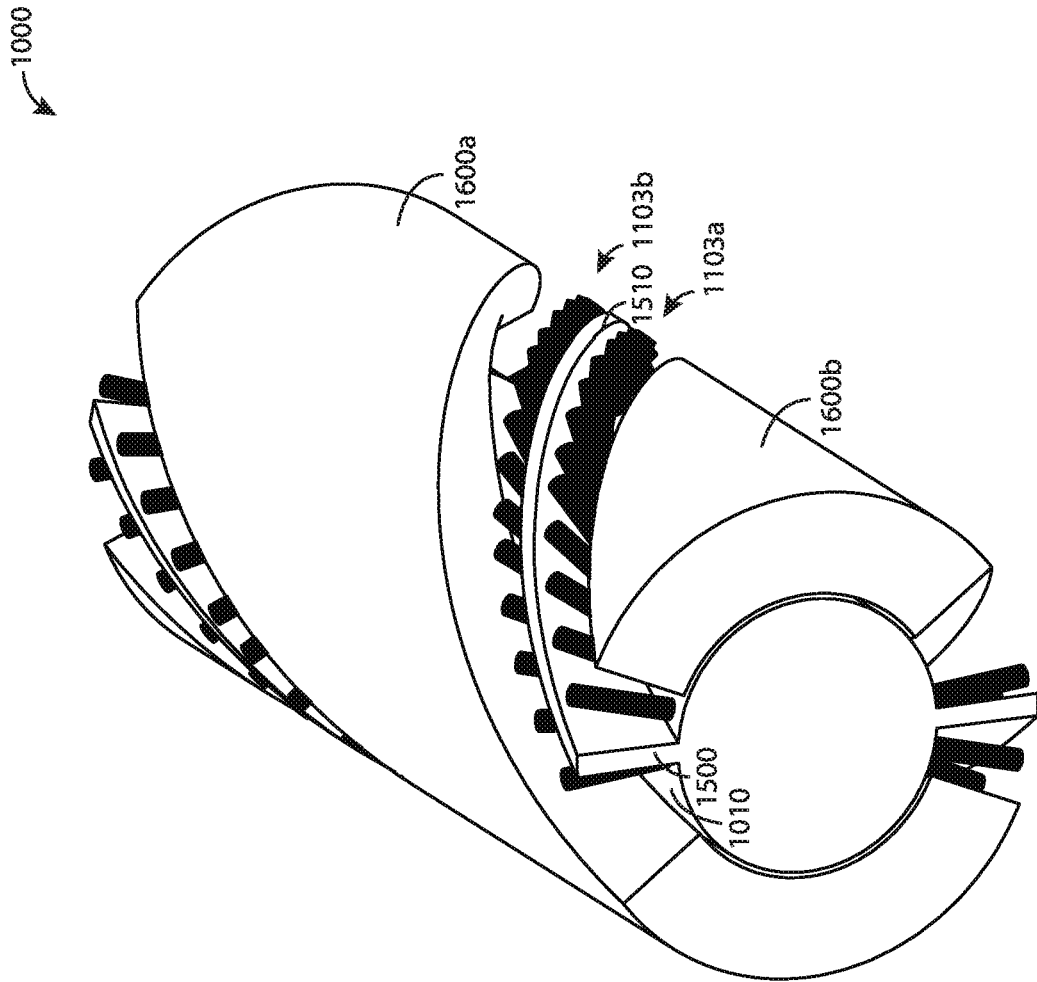


FIG. 71

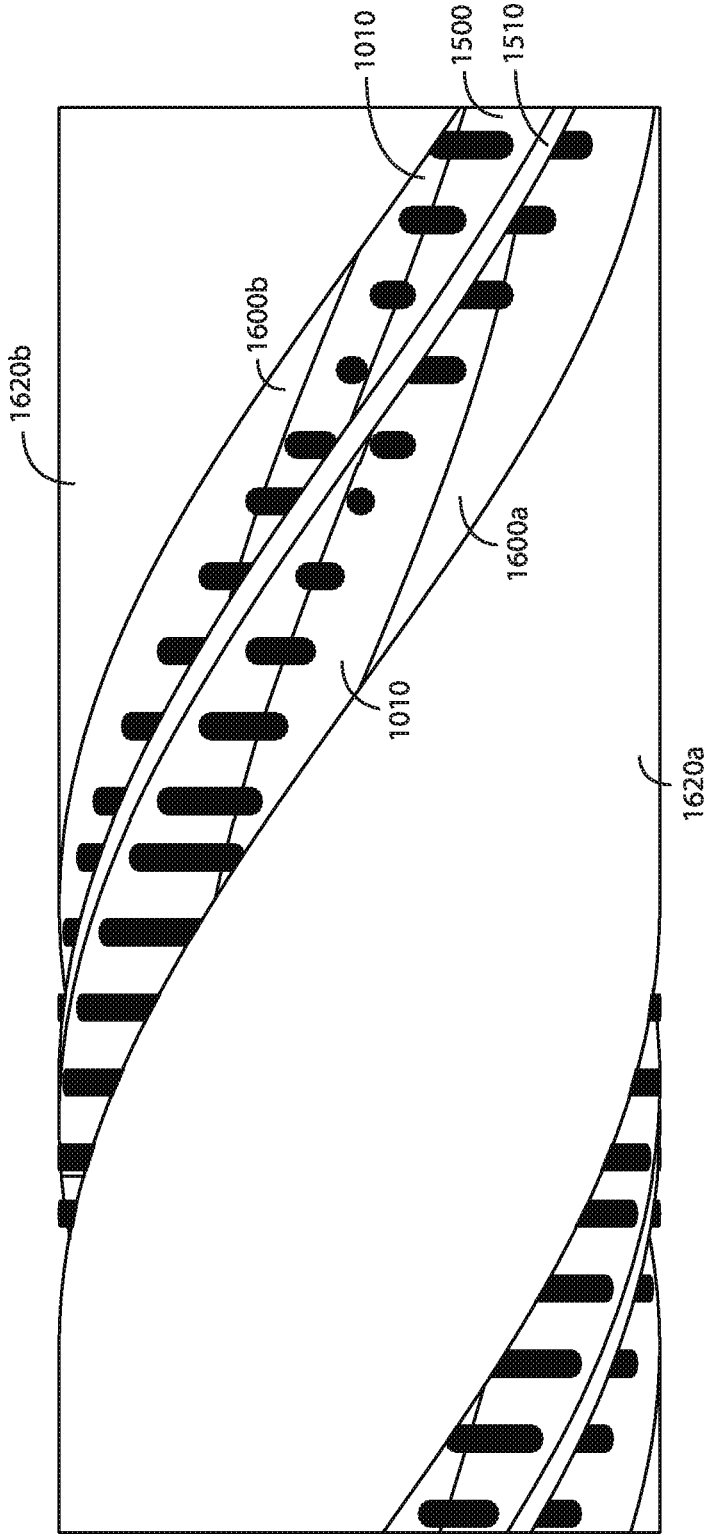


FIG. 72

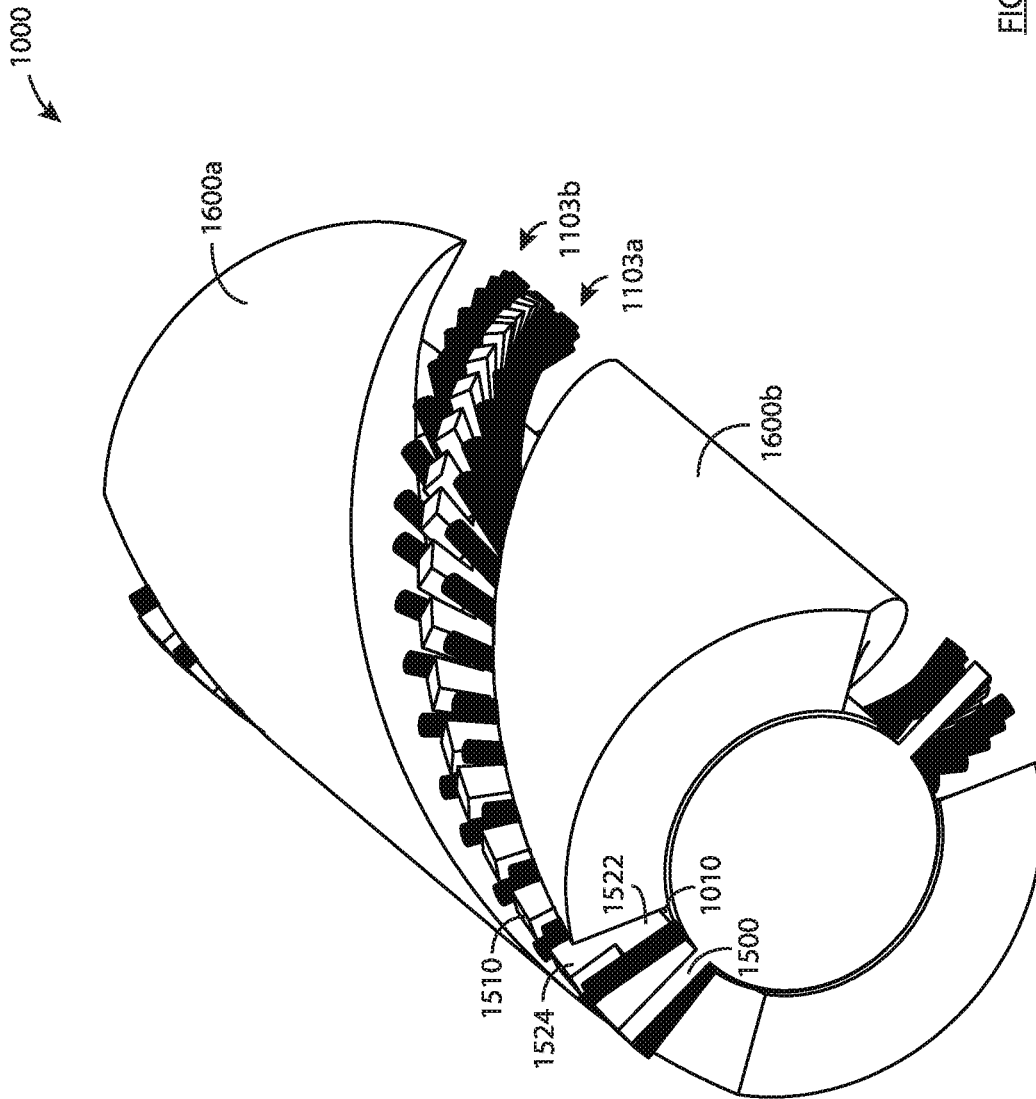


FIG. 73

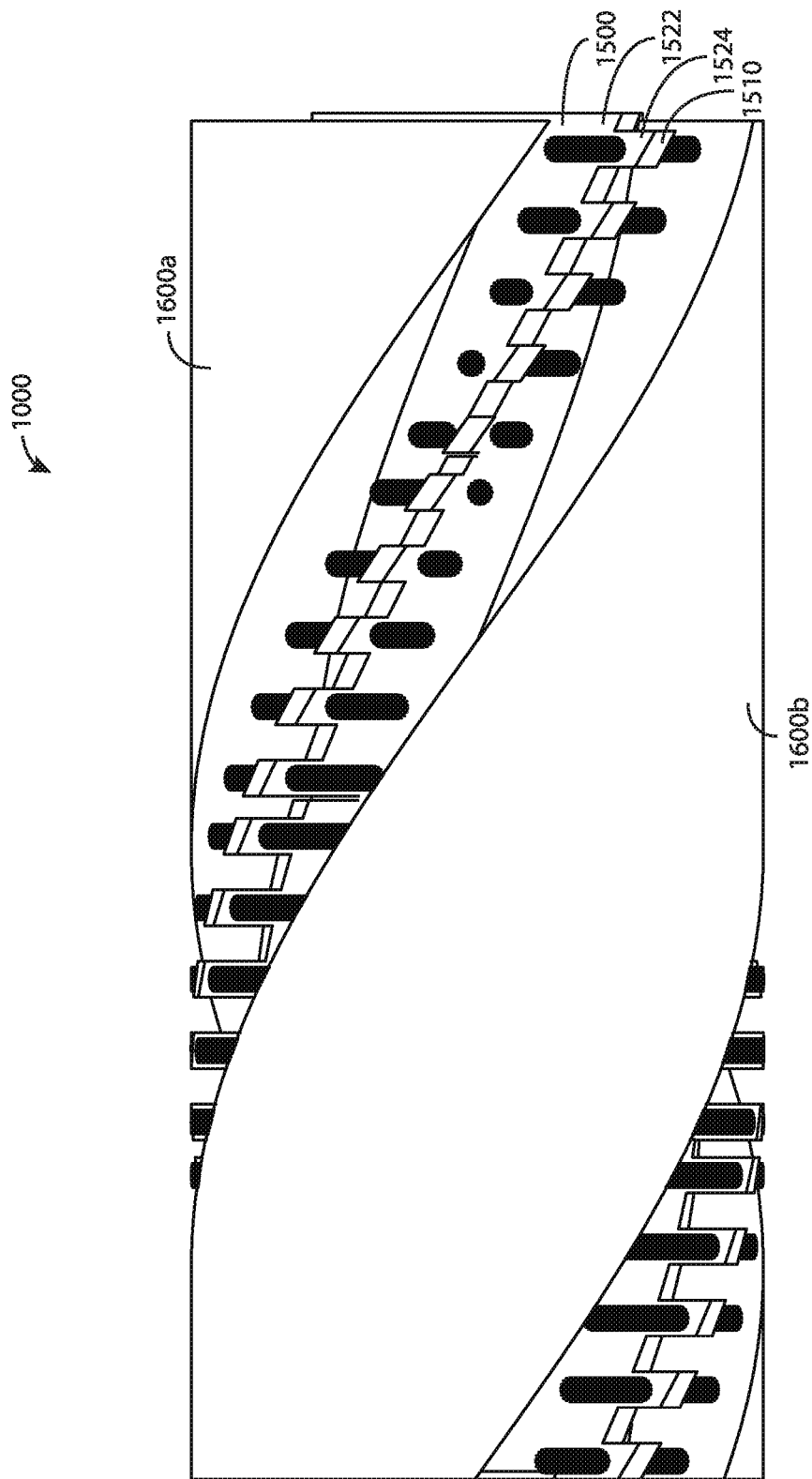


FIG. 74

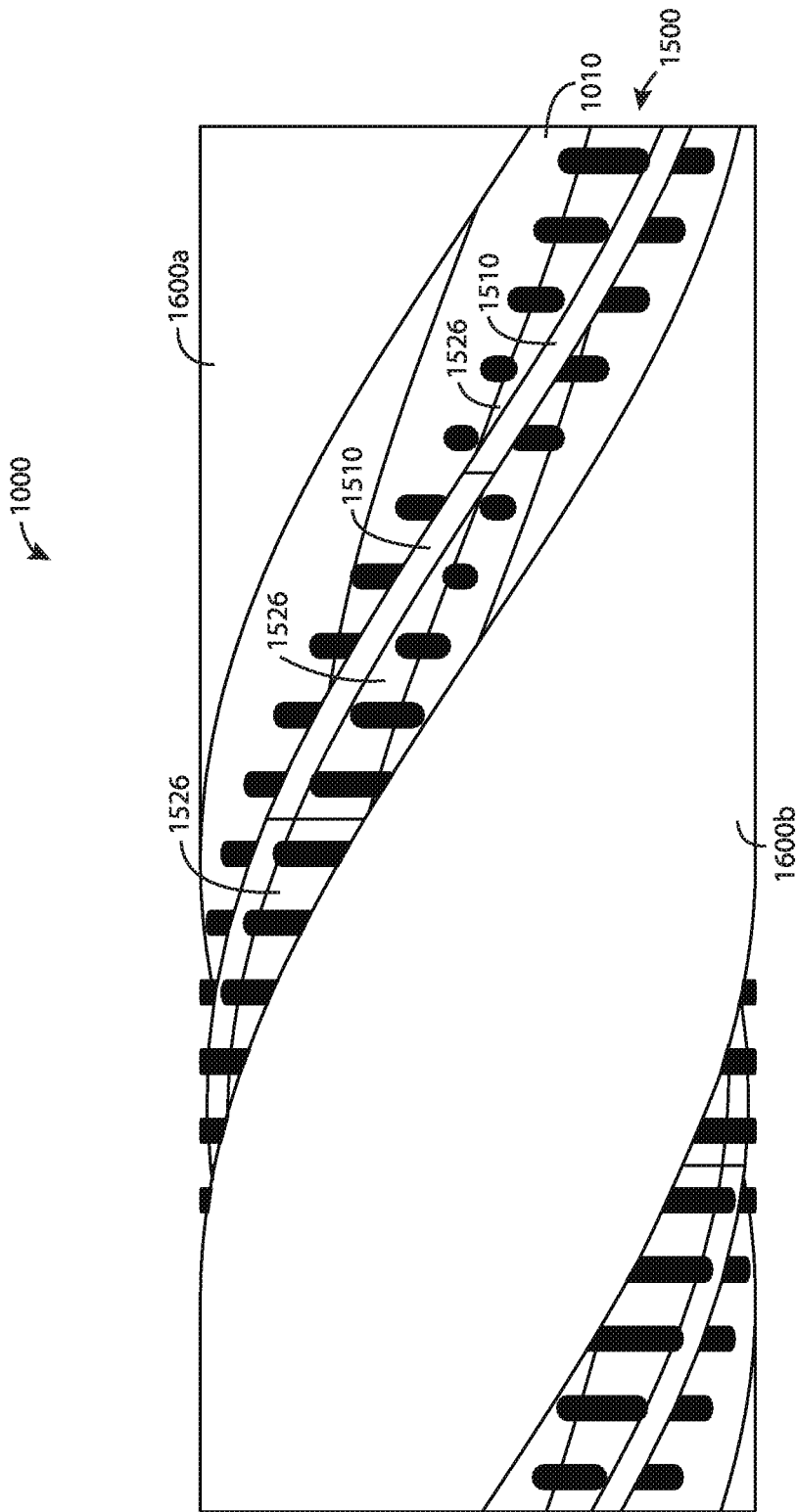


FIG. 75

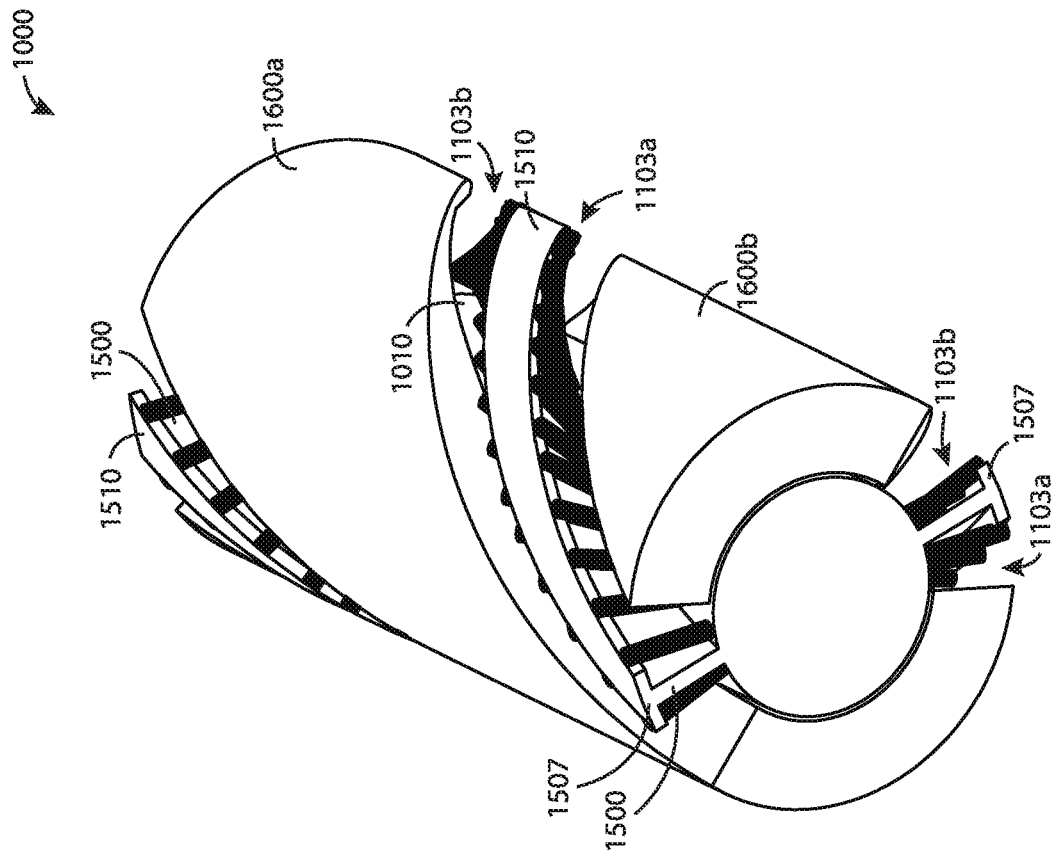


FIG. 76

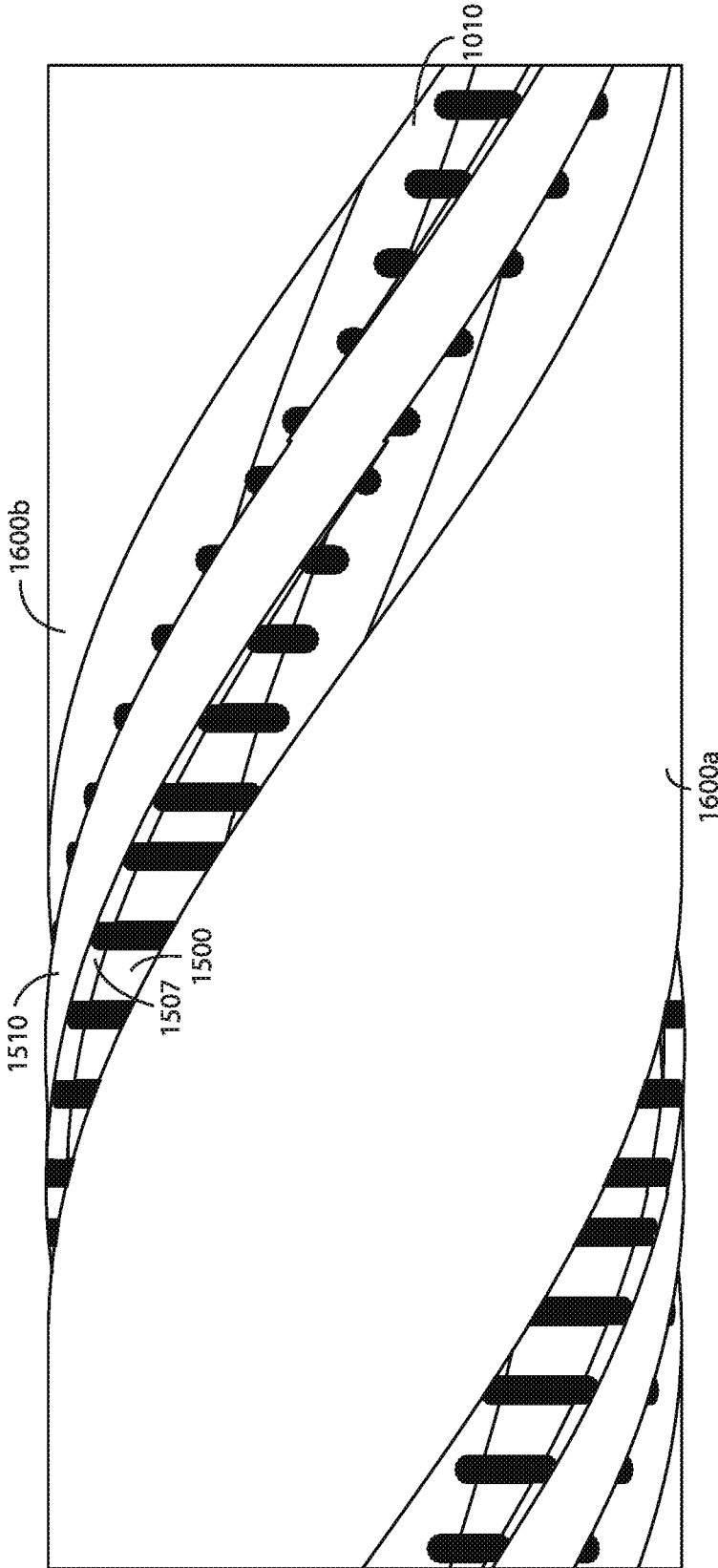


FIG. 77

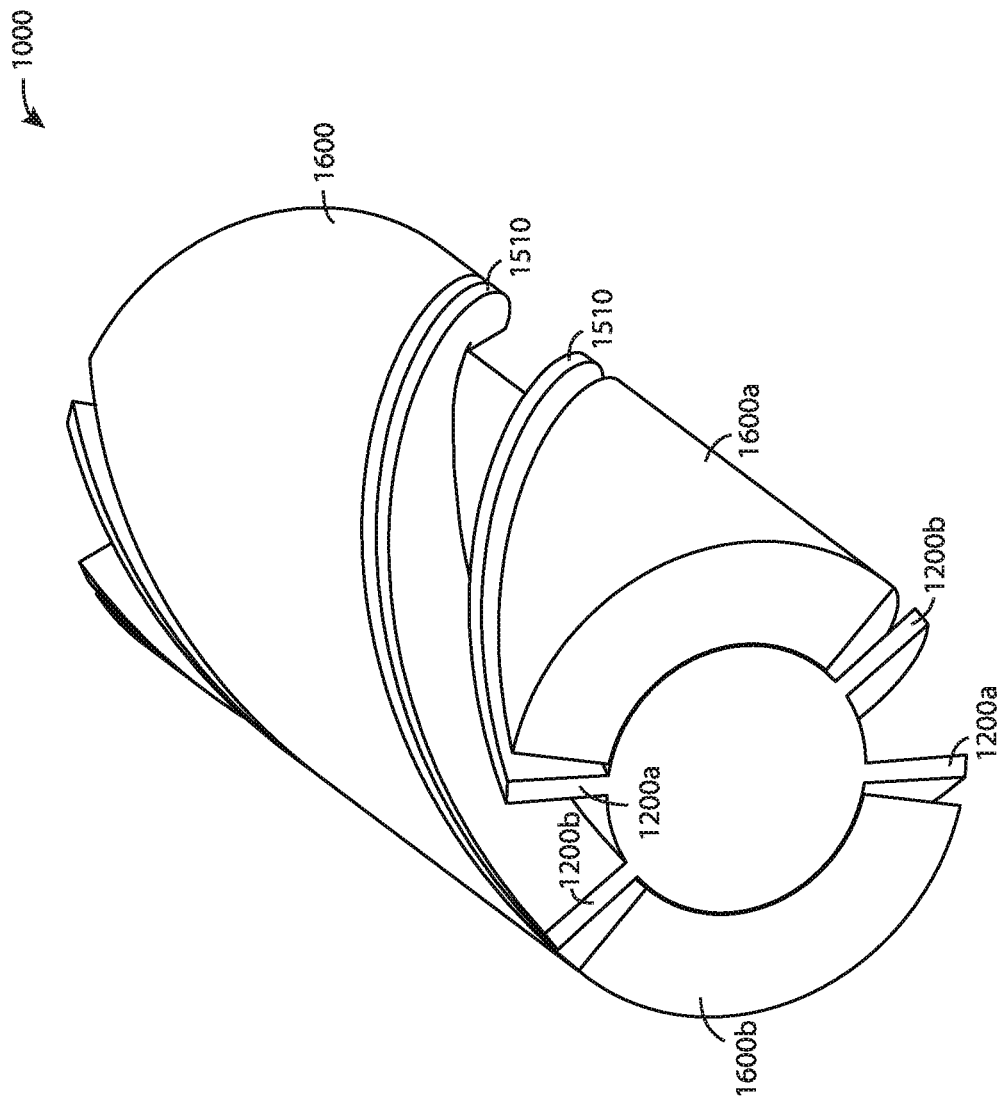


FIG. 78

FIG. 80

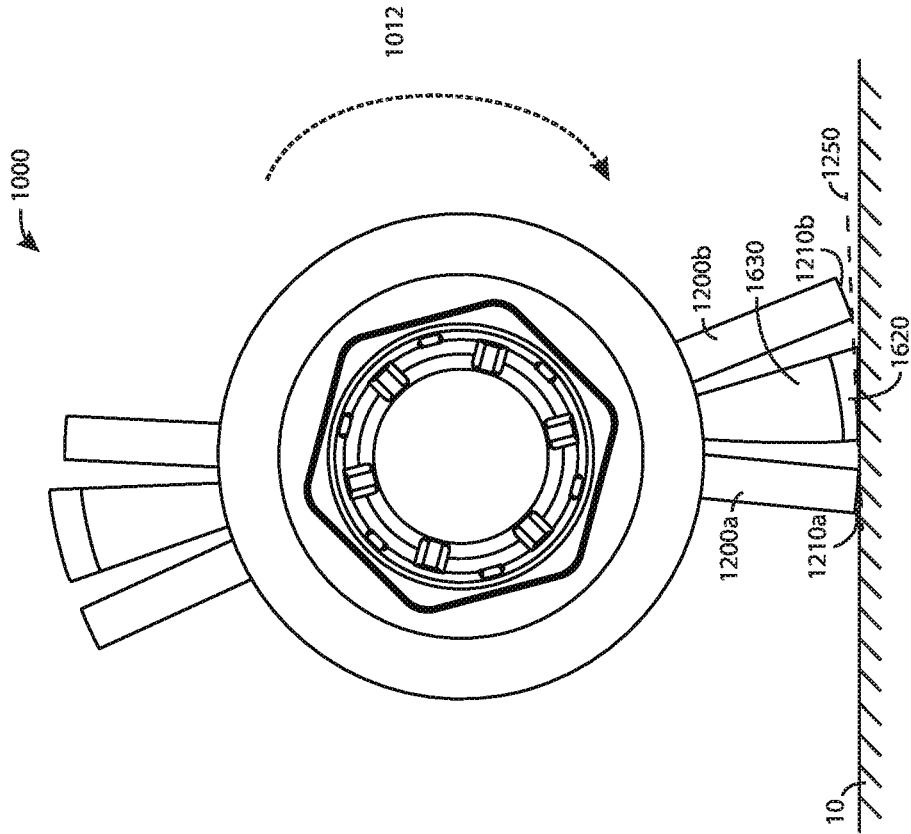


FIG. 79

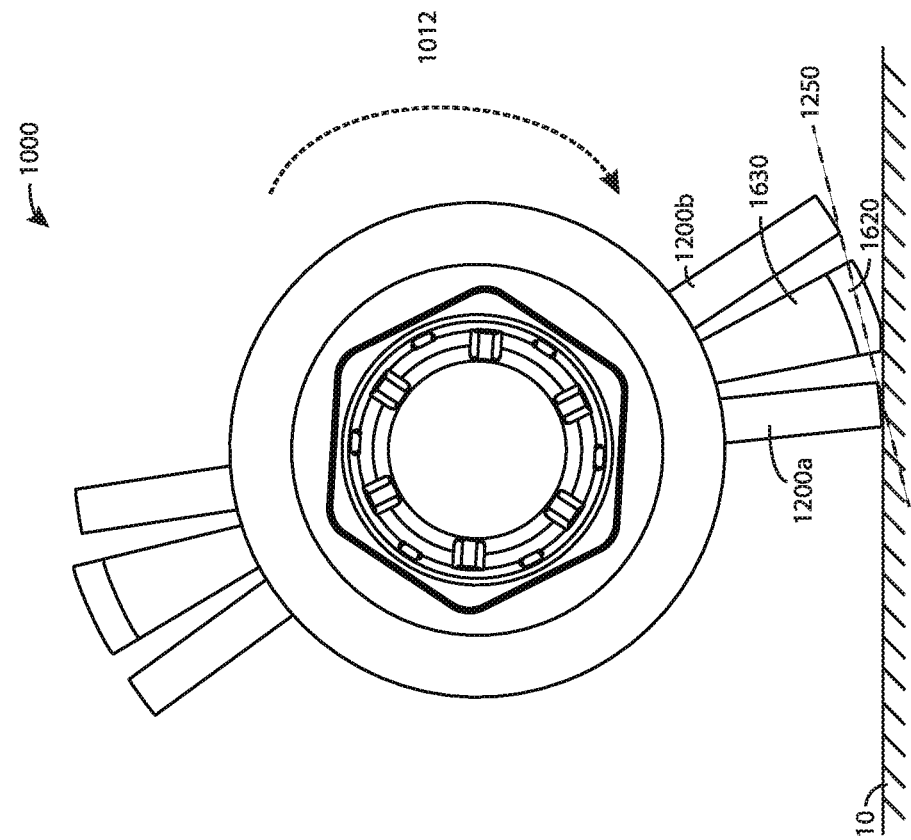


FIG. 81

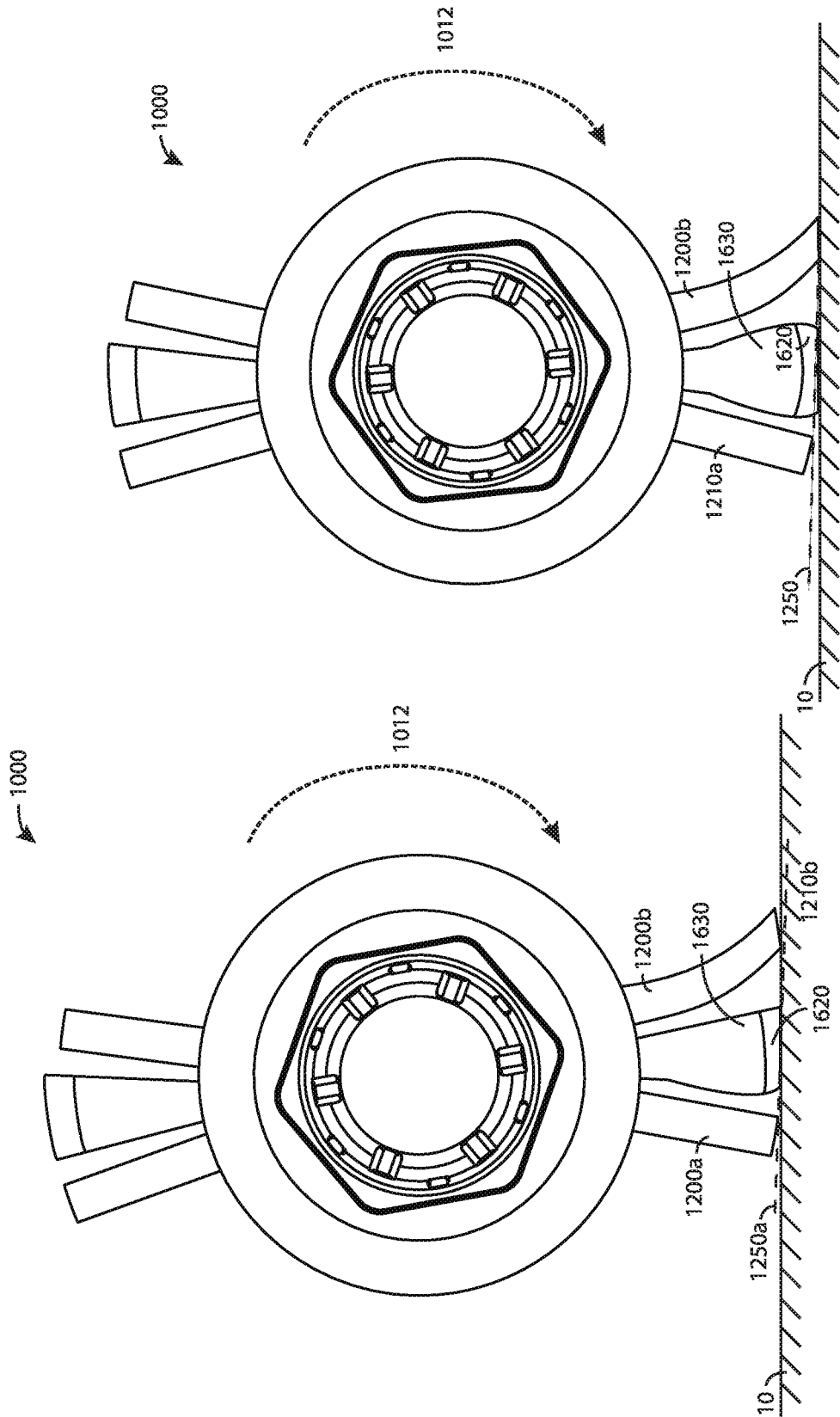


FIG. 82

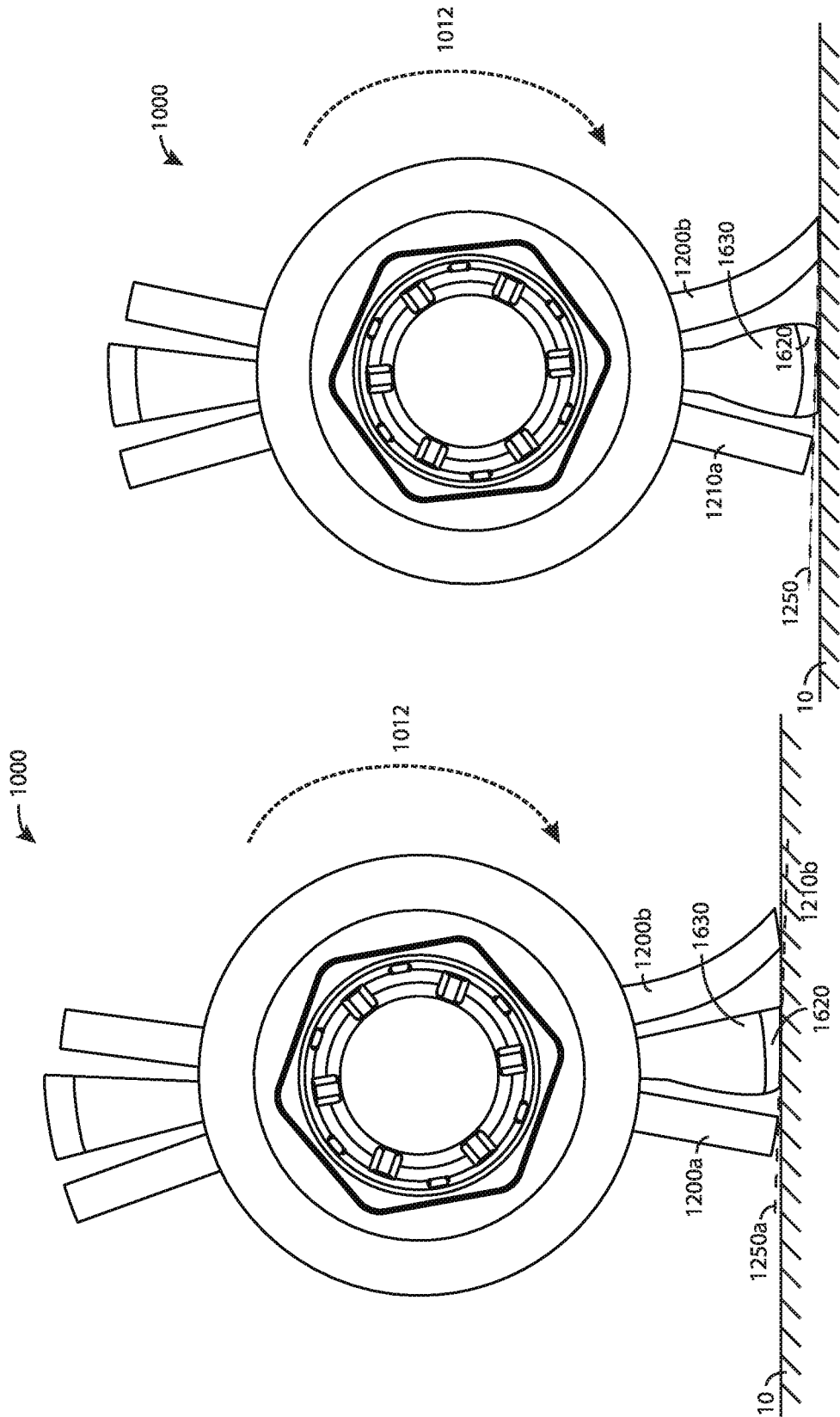


FIG. 83

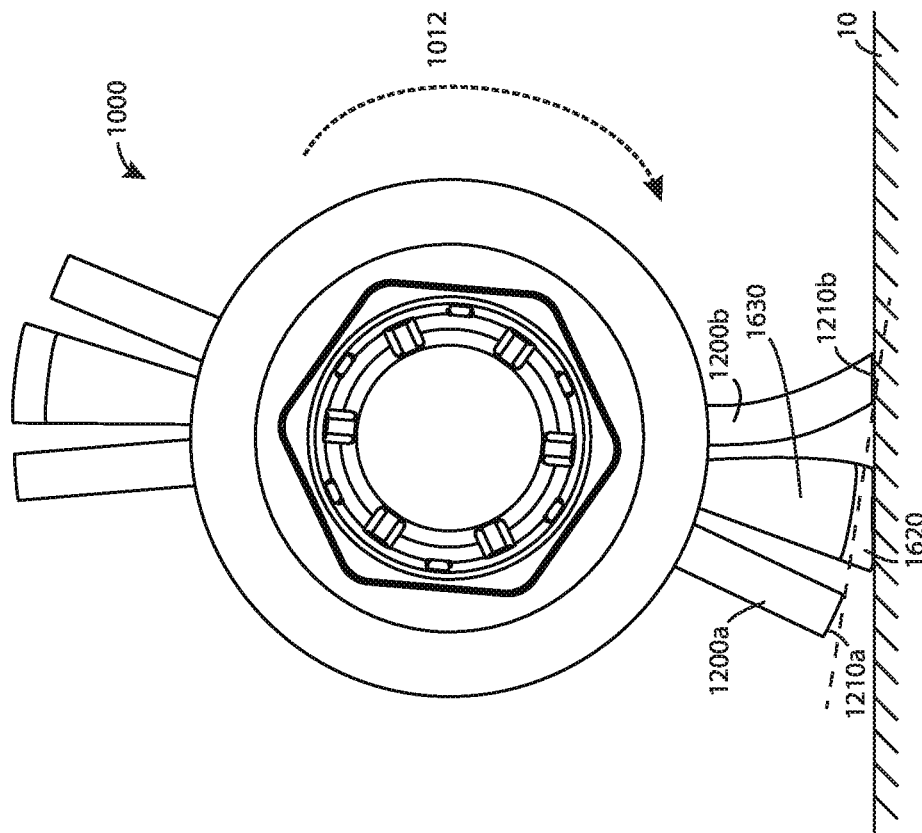


FIG. 84

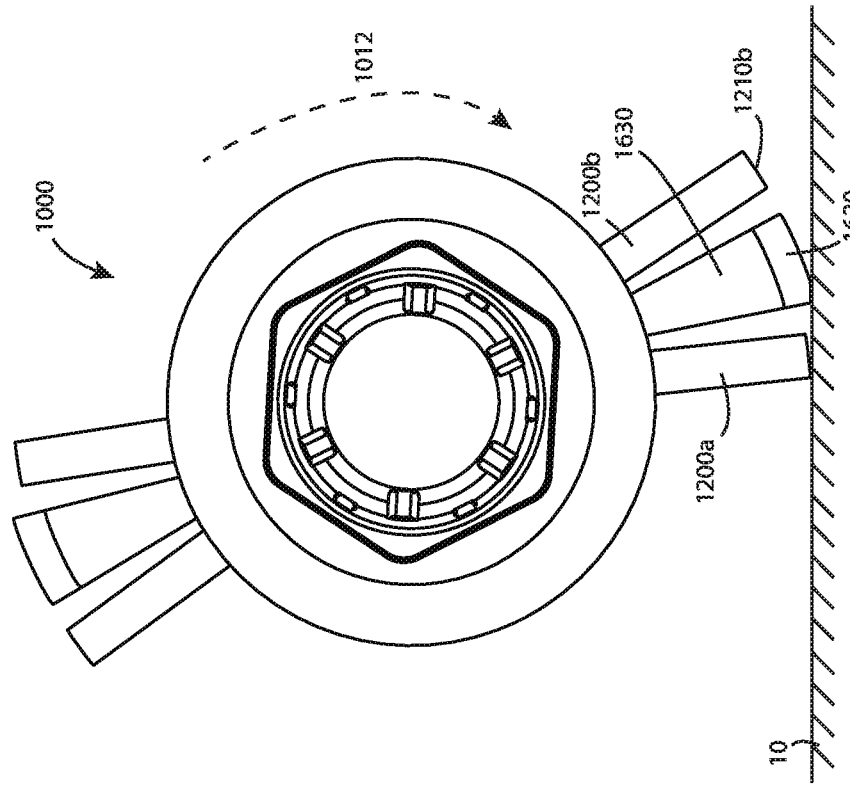


FIG. 86

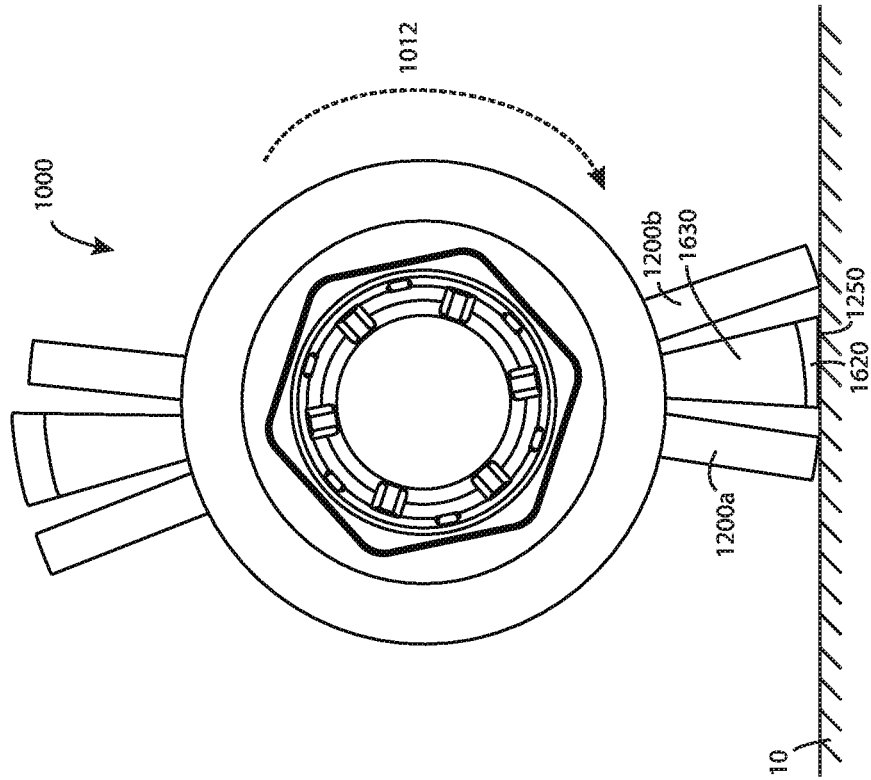


FIG. 85

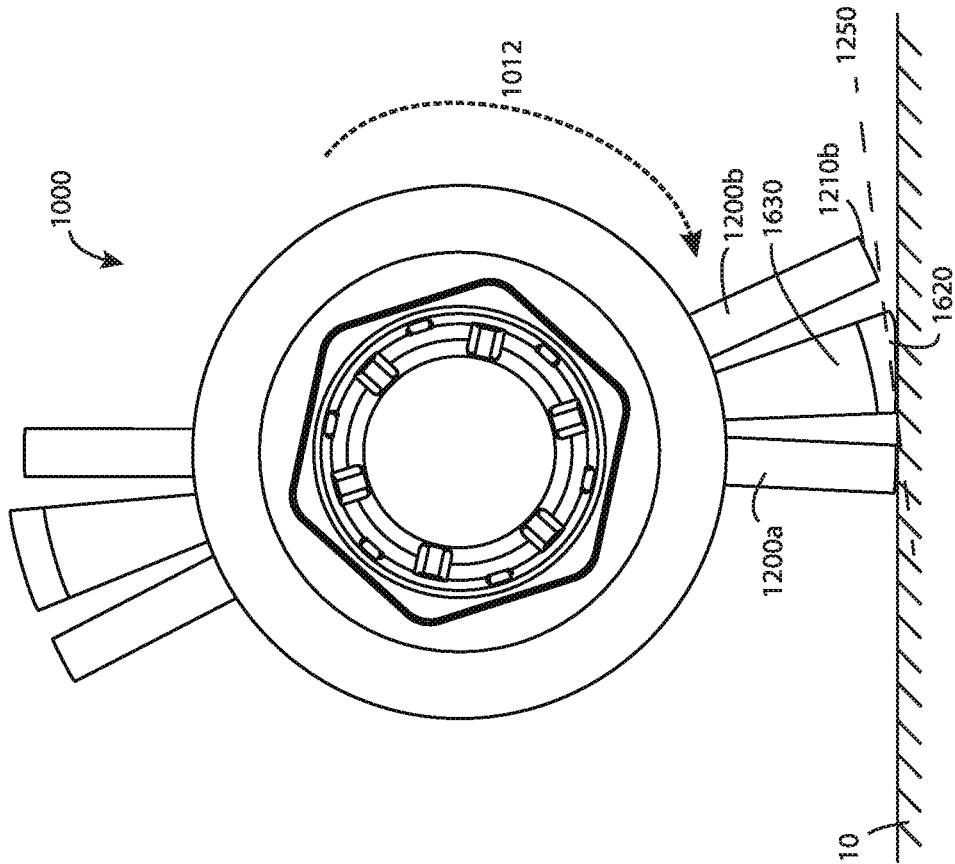


FIG. 88

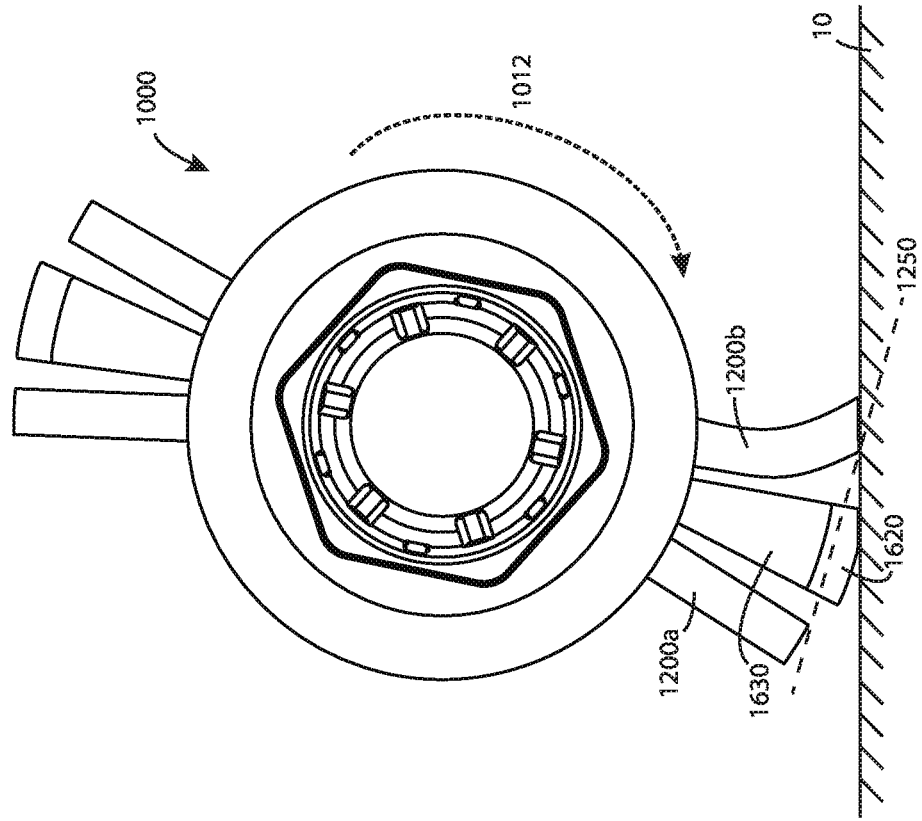


FIG. 87

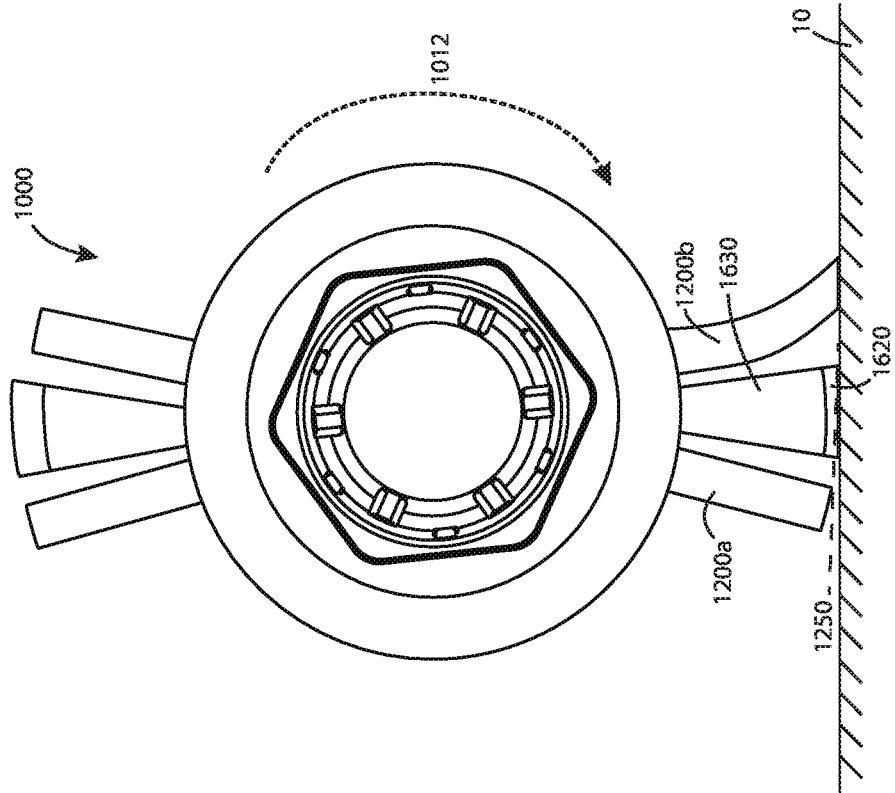


FIG. 90

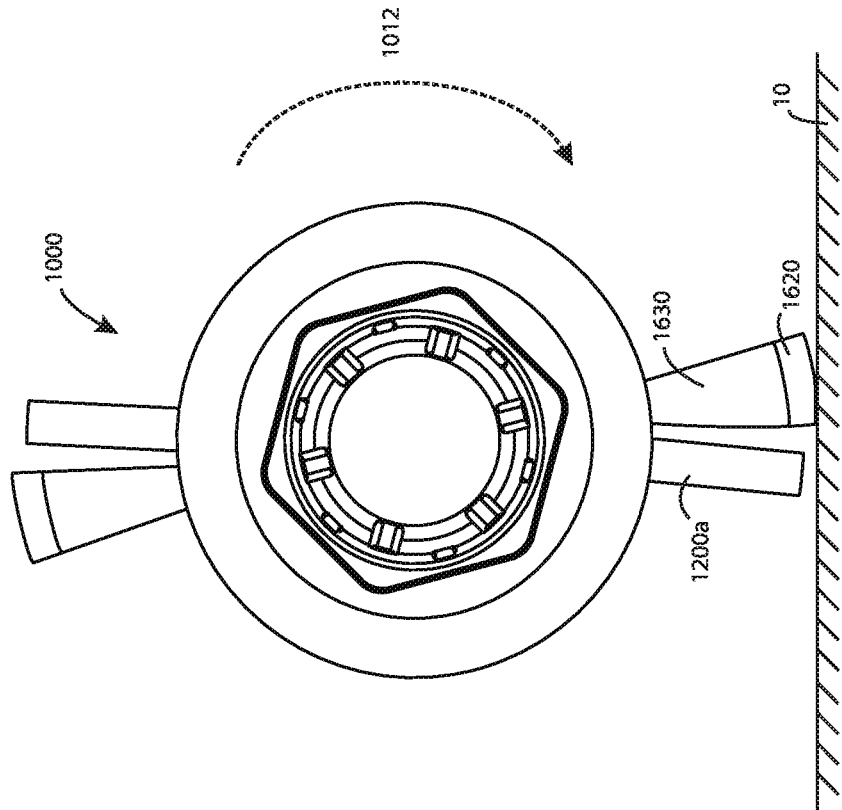


FIG. 89

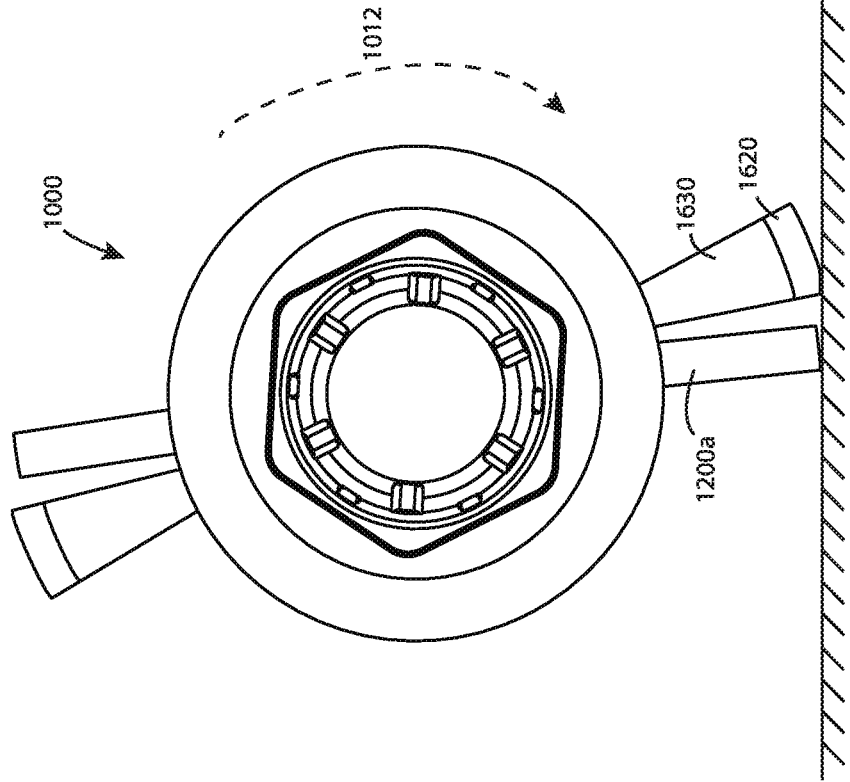


FIG. 92

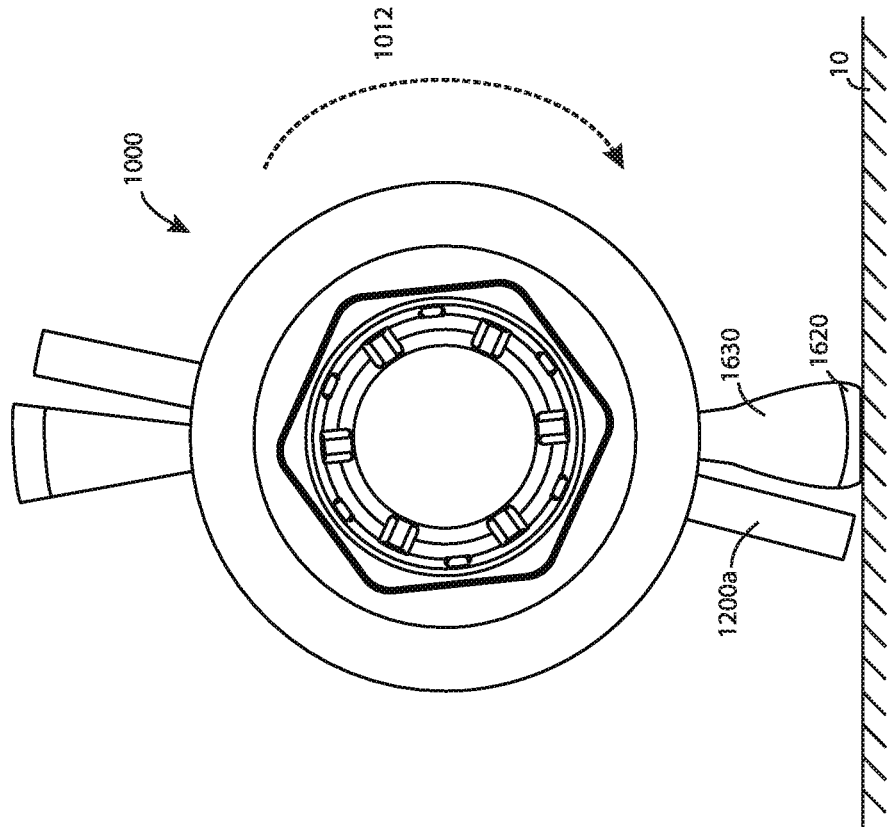


FIG. 91

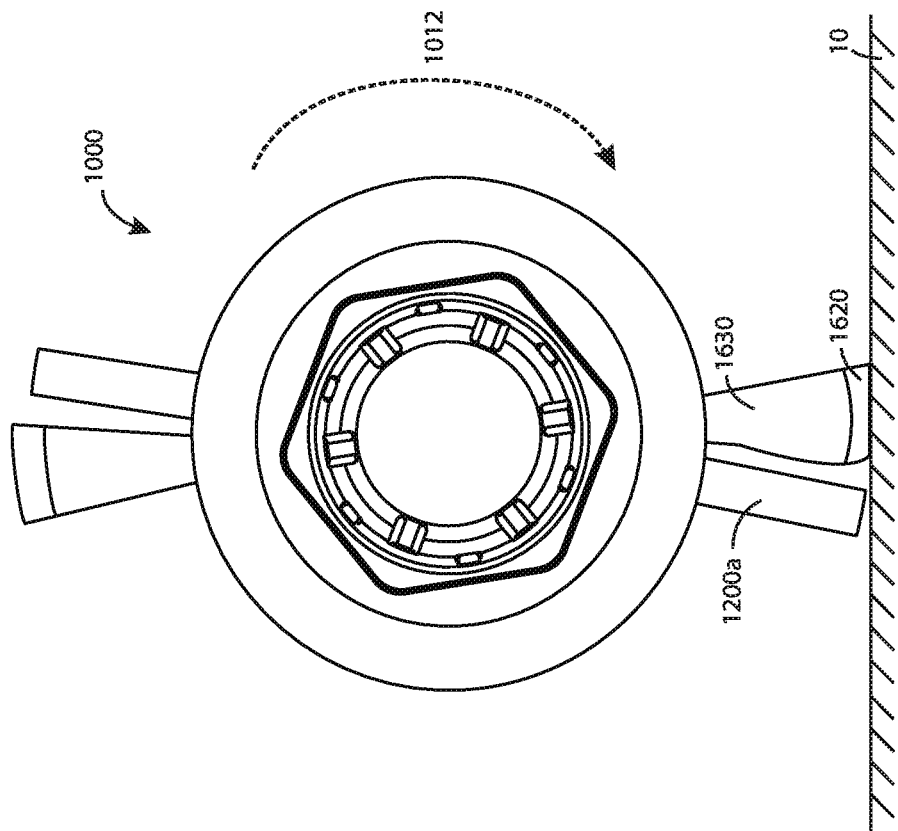


FIG. 94

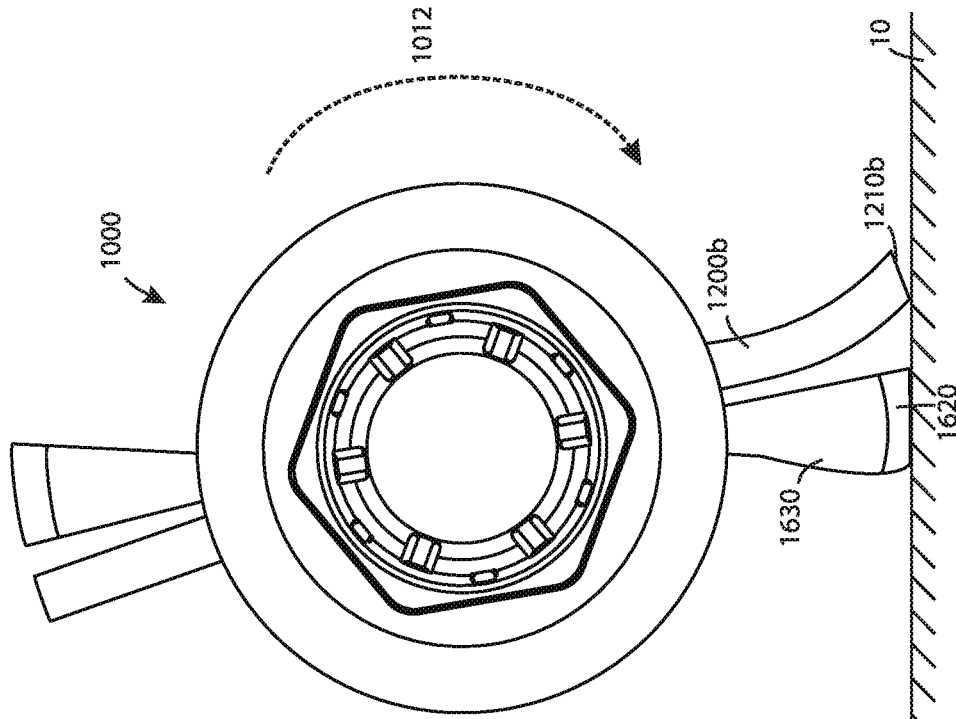


FIG. 93

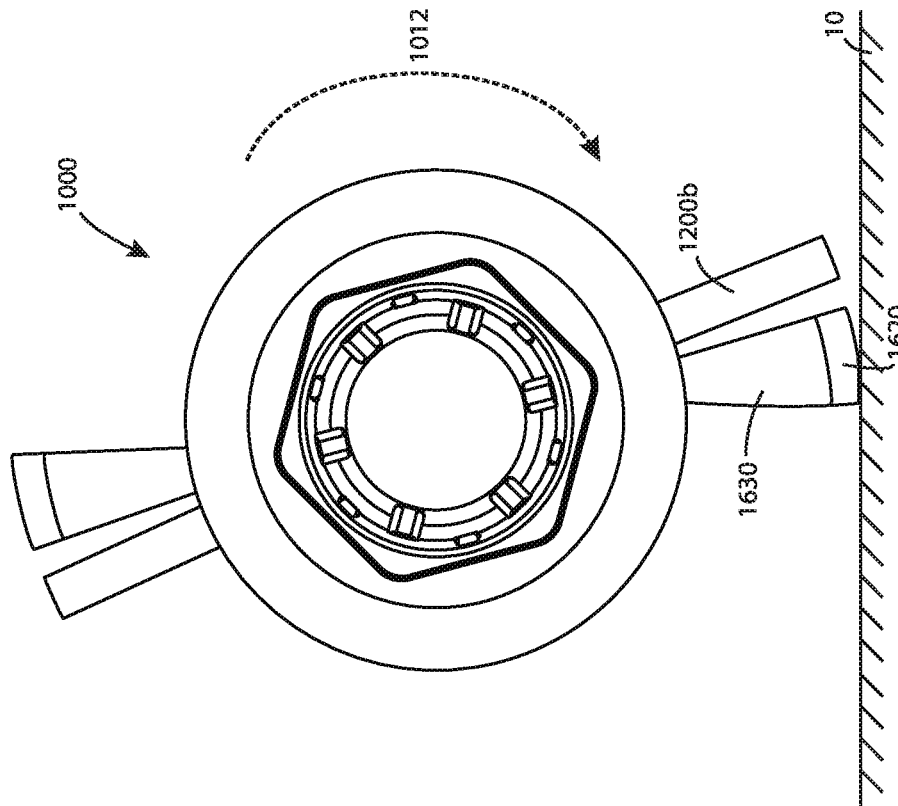


FIG. 95

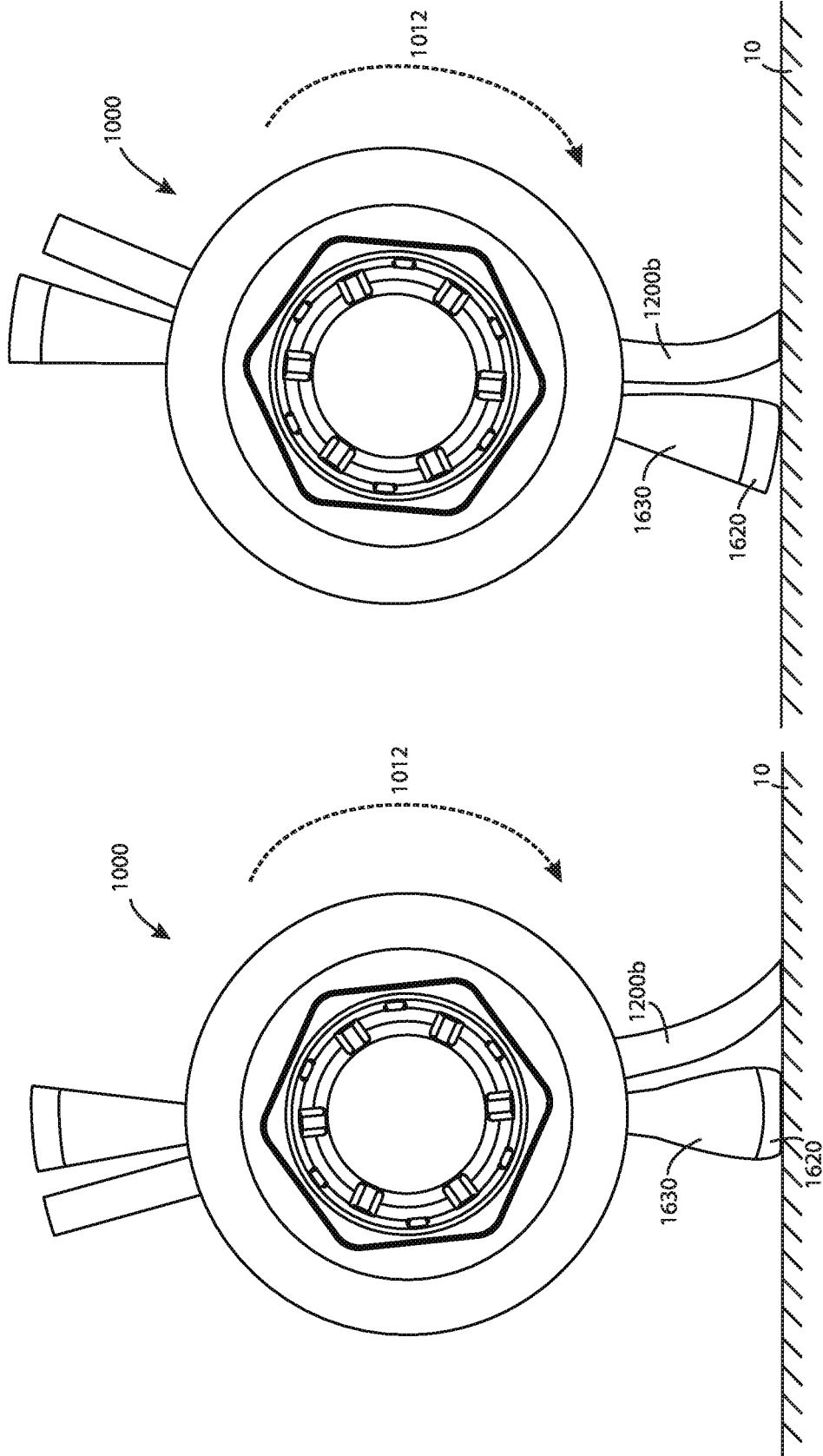
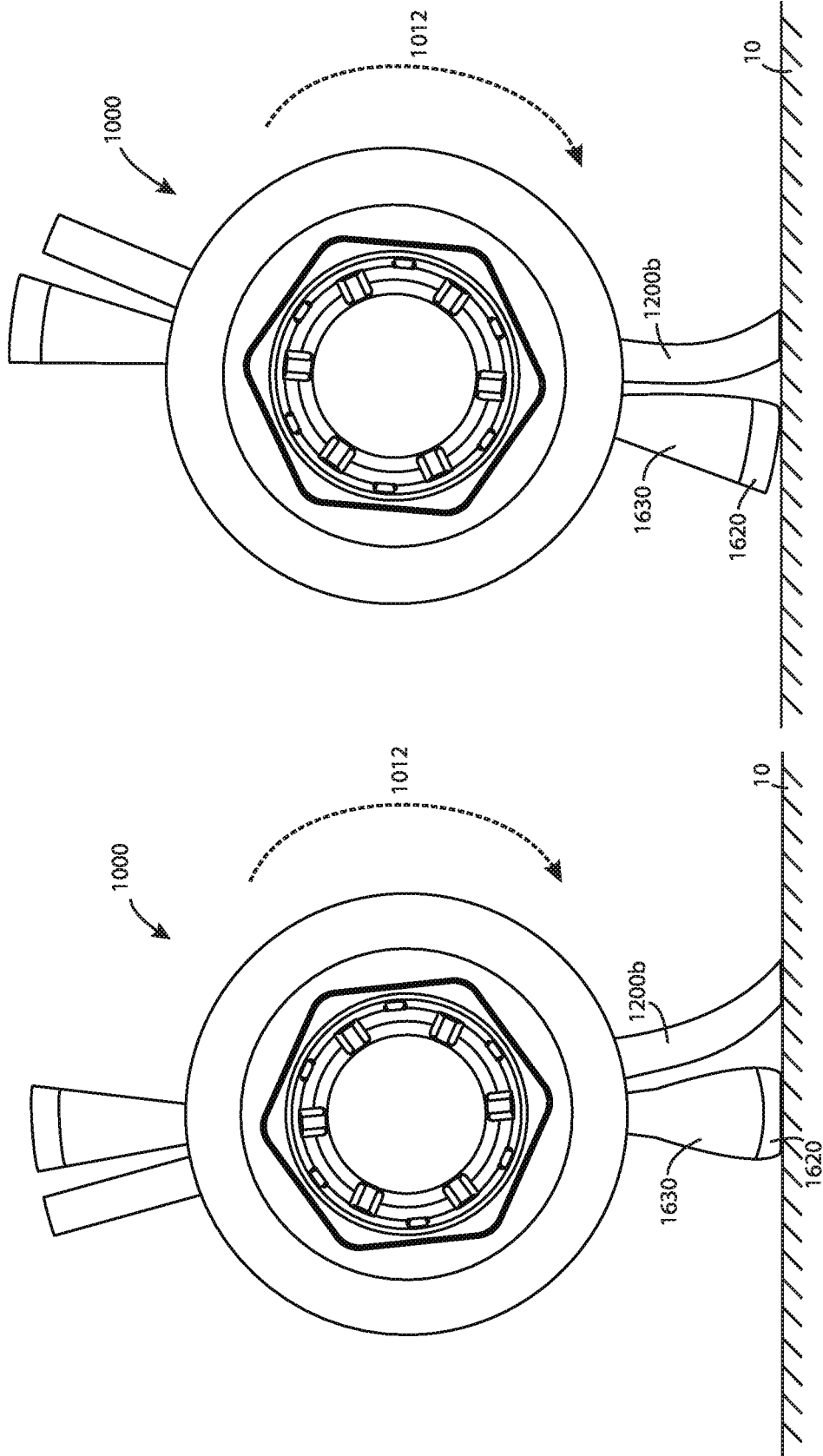


FIG. 96



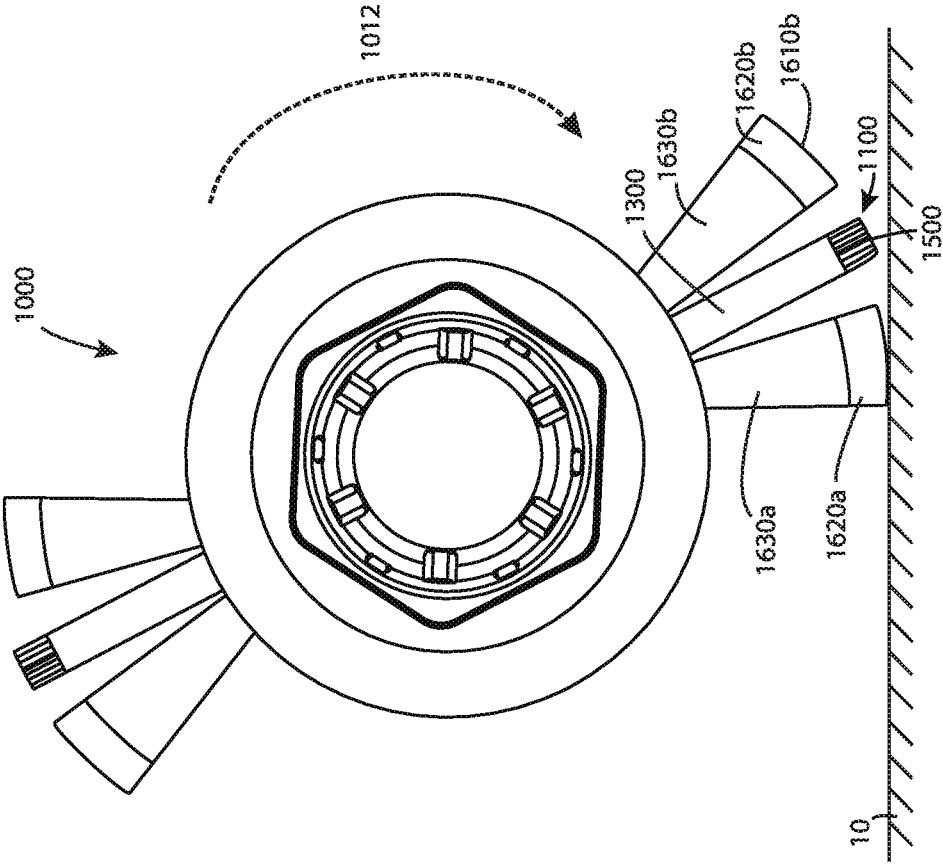


FIG. 97

FIG. 98

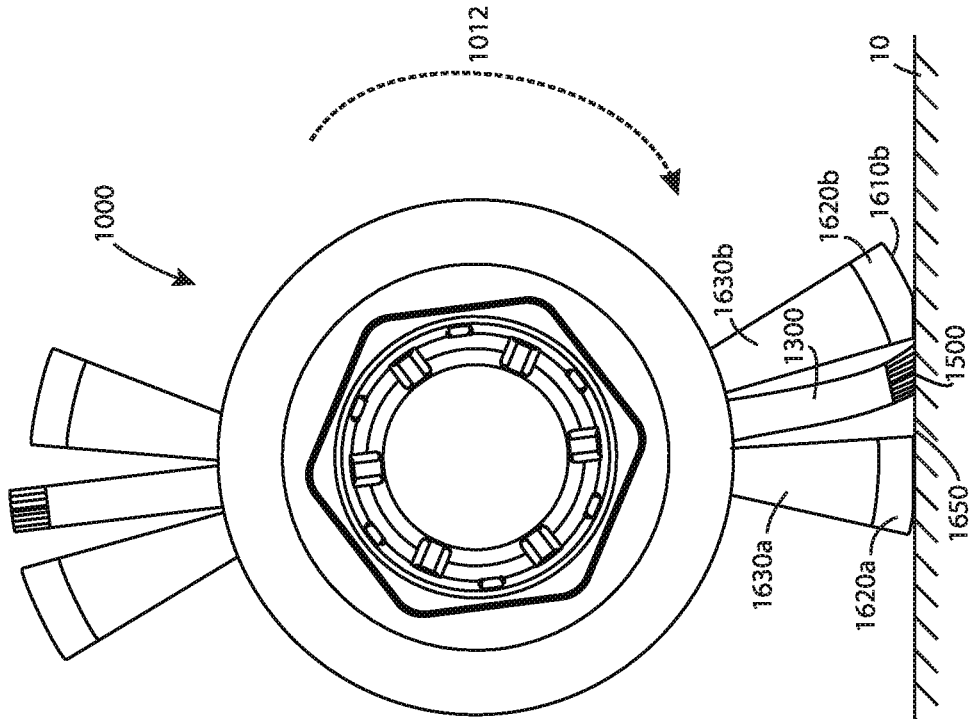


FIG. 99

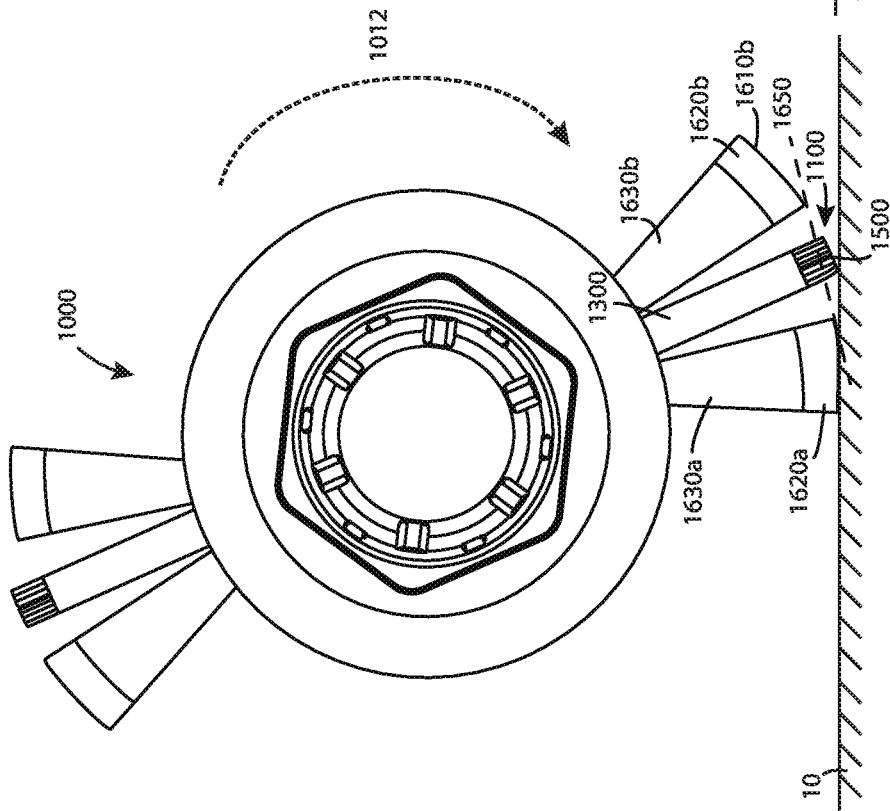


FIG. 101

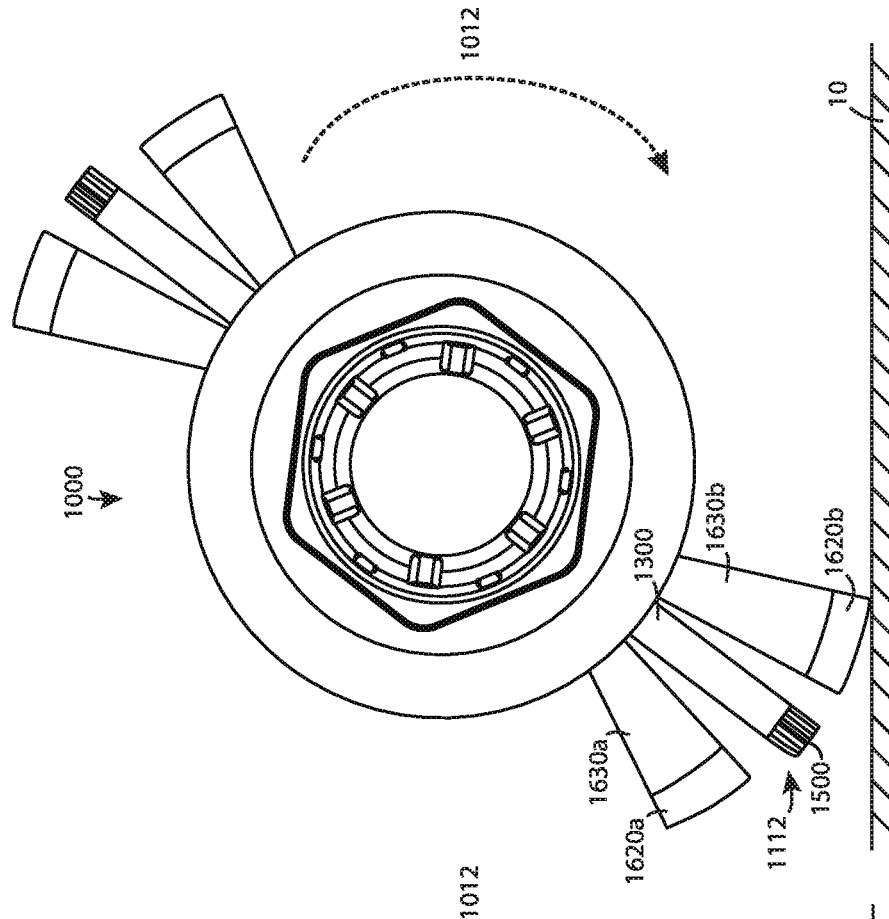
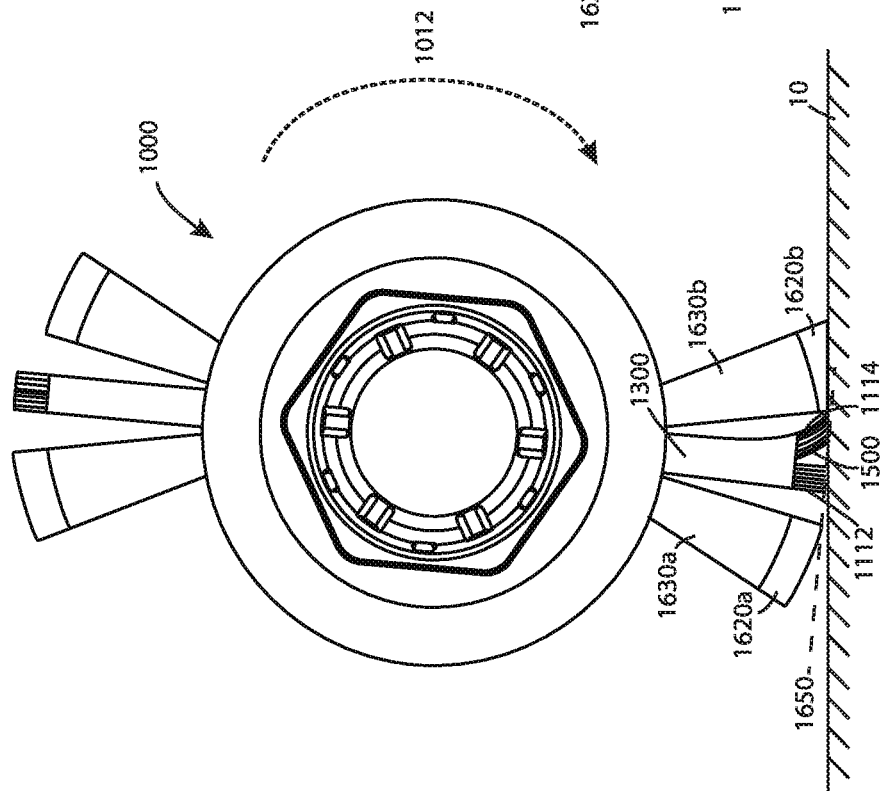


FIG. 100



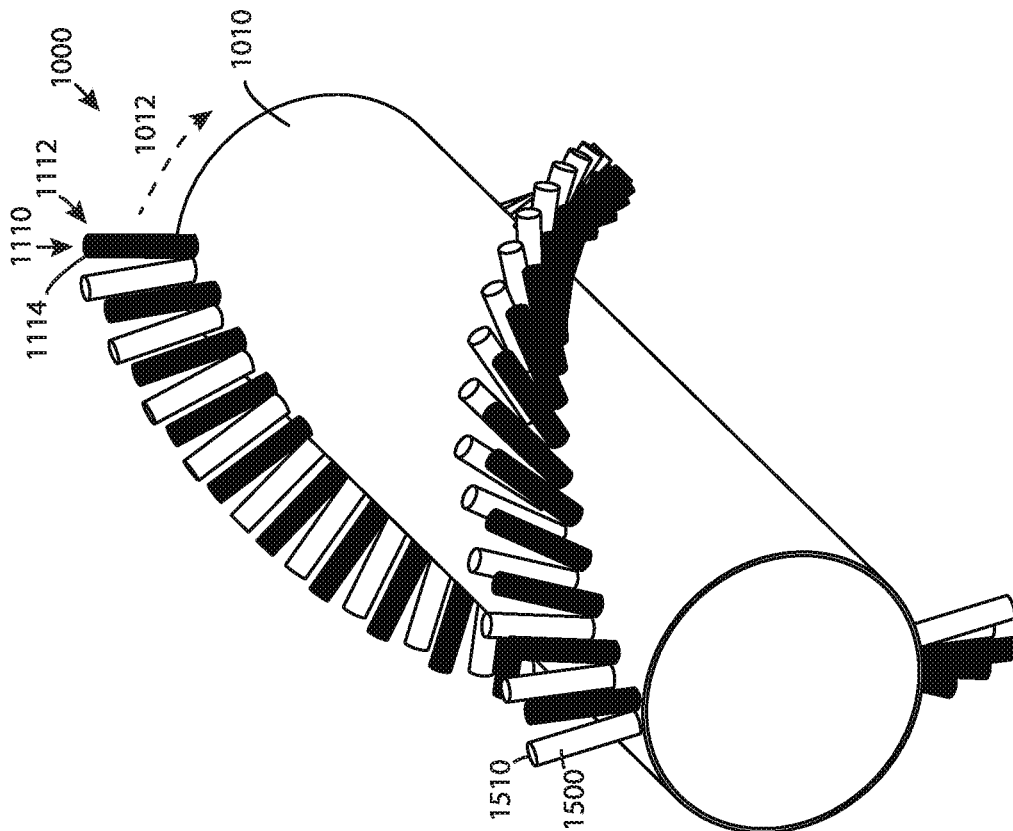


FIG. 102

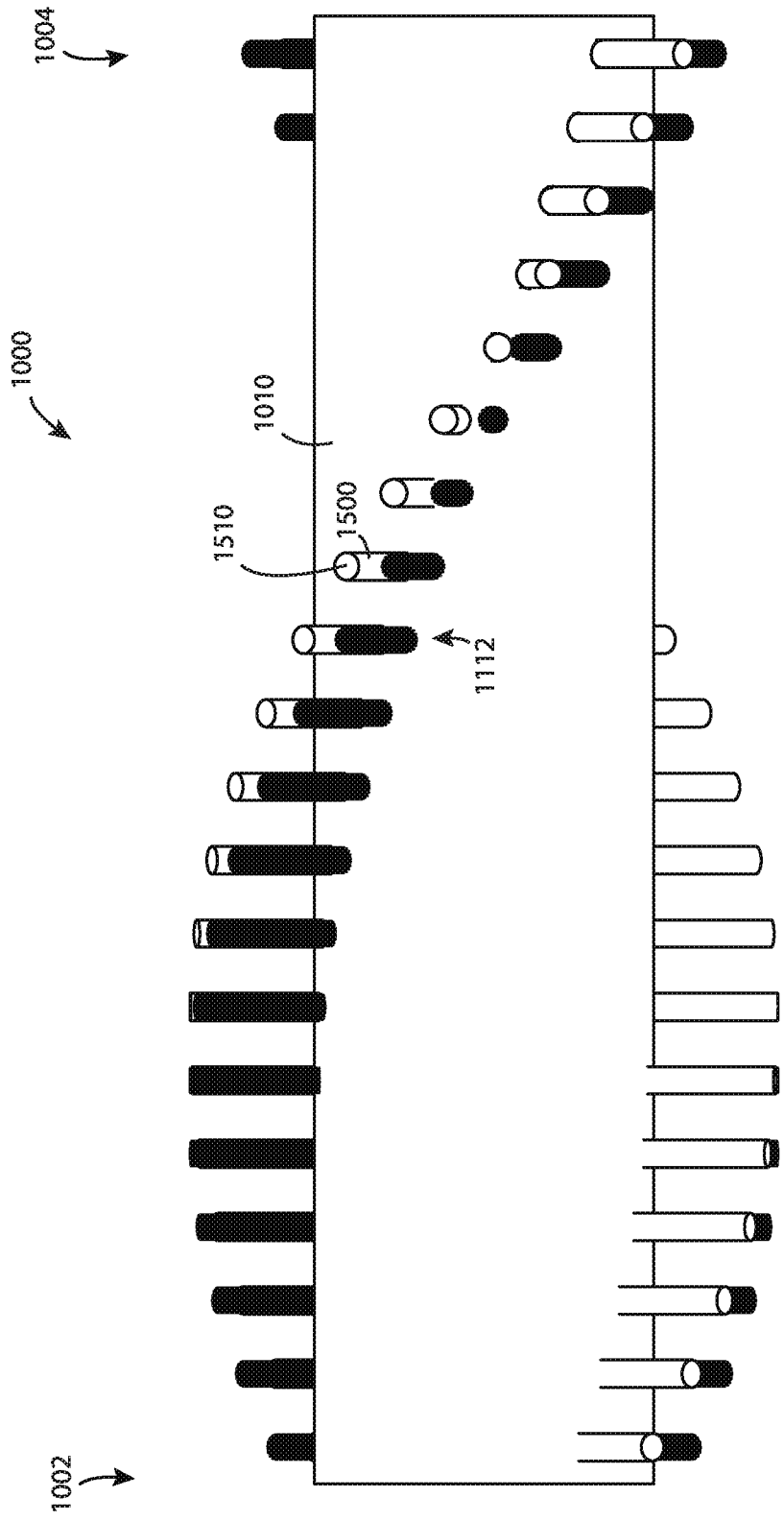


FIG. 103

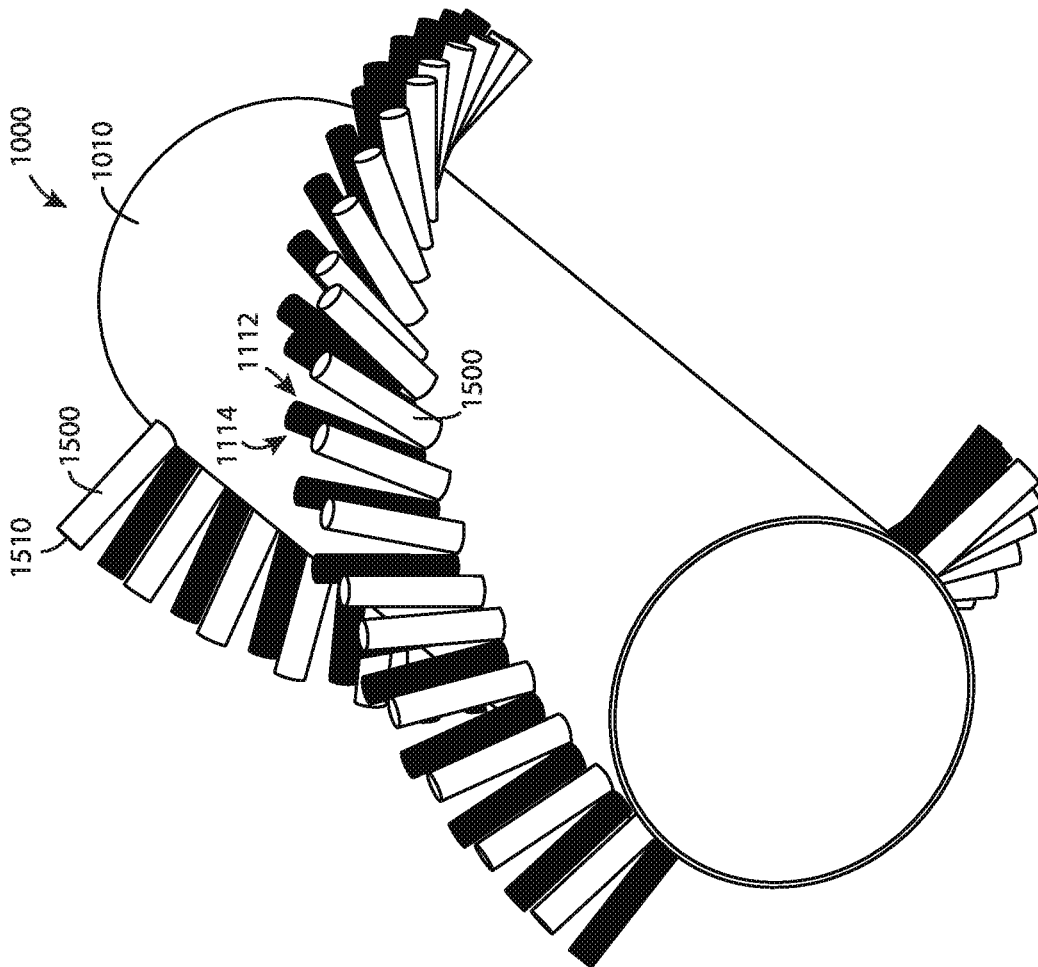


FIG. 104

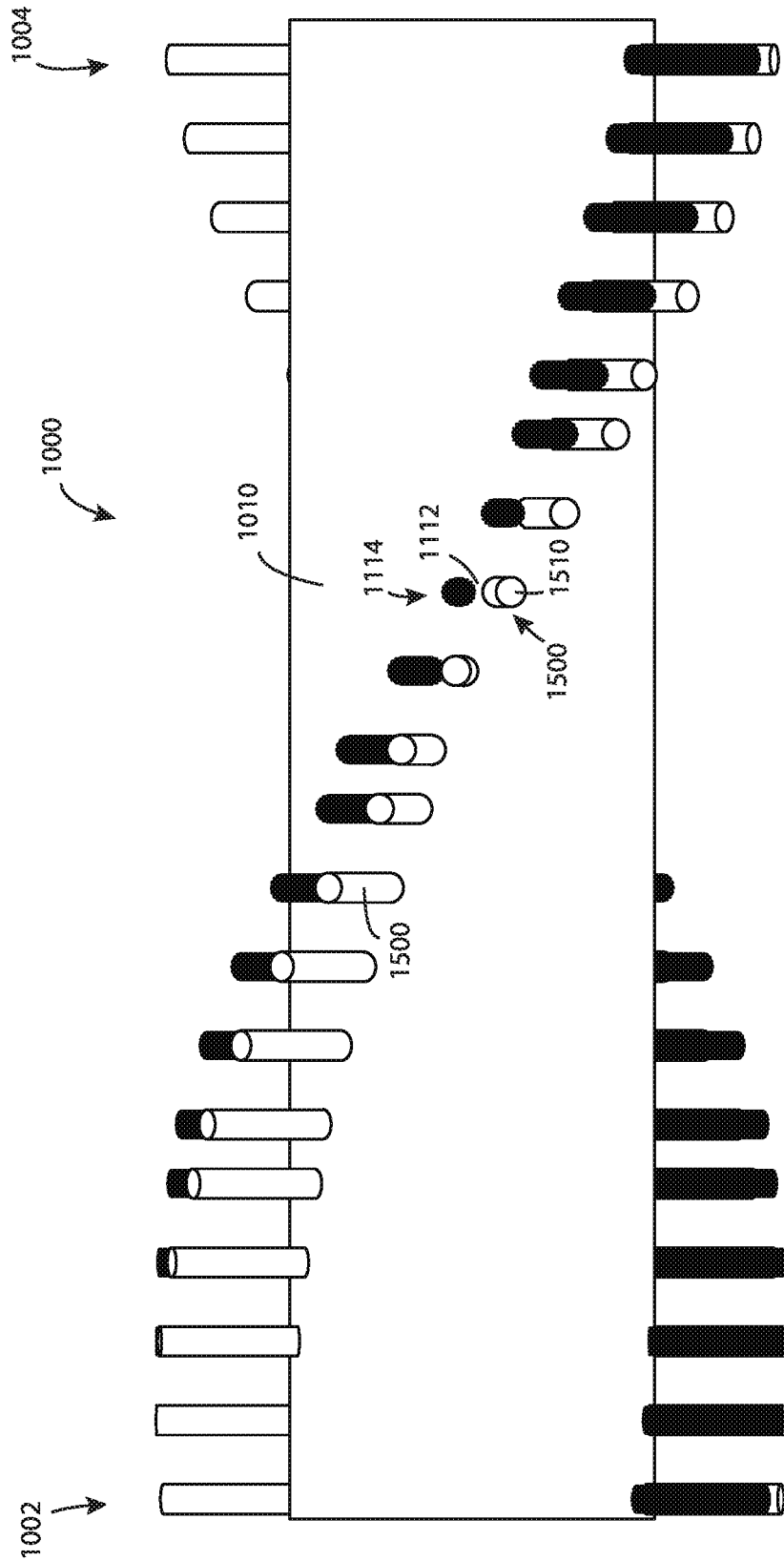


FIG. 105

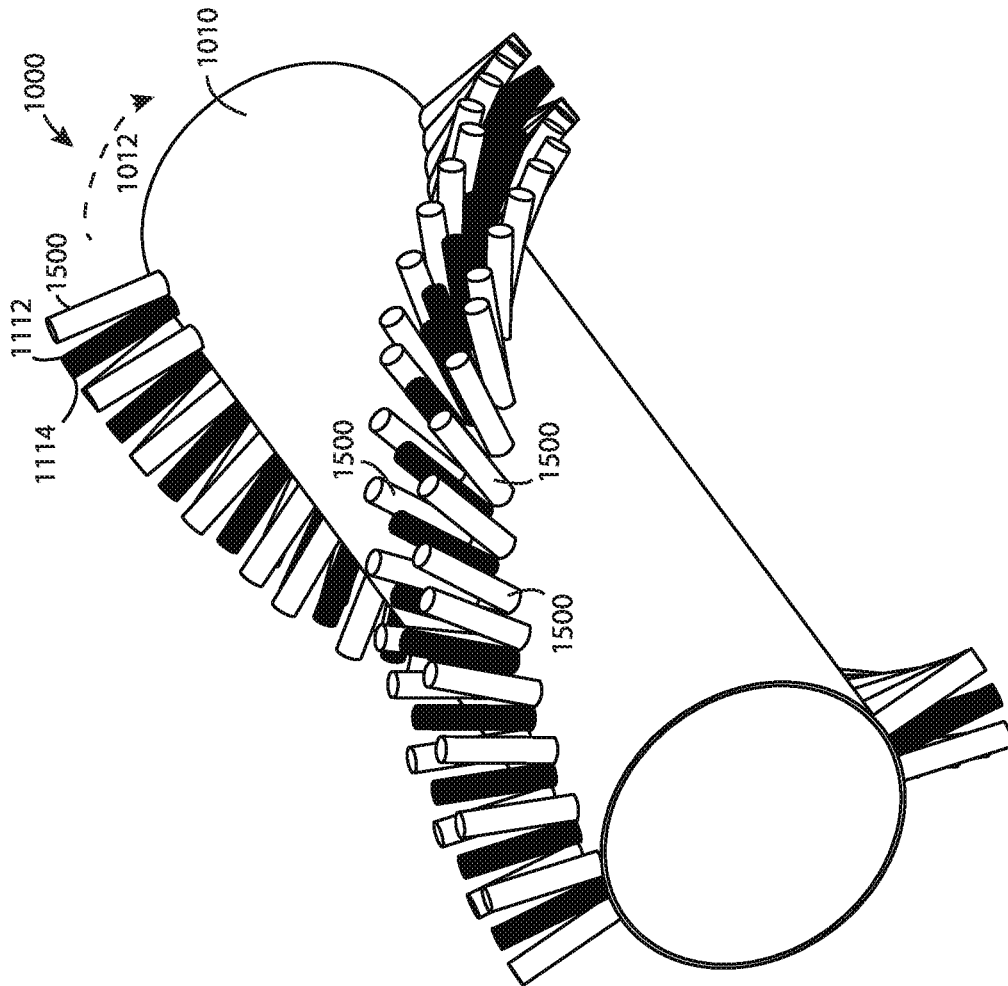


FIG. 106

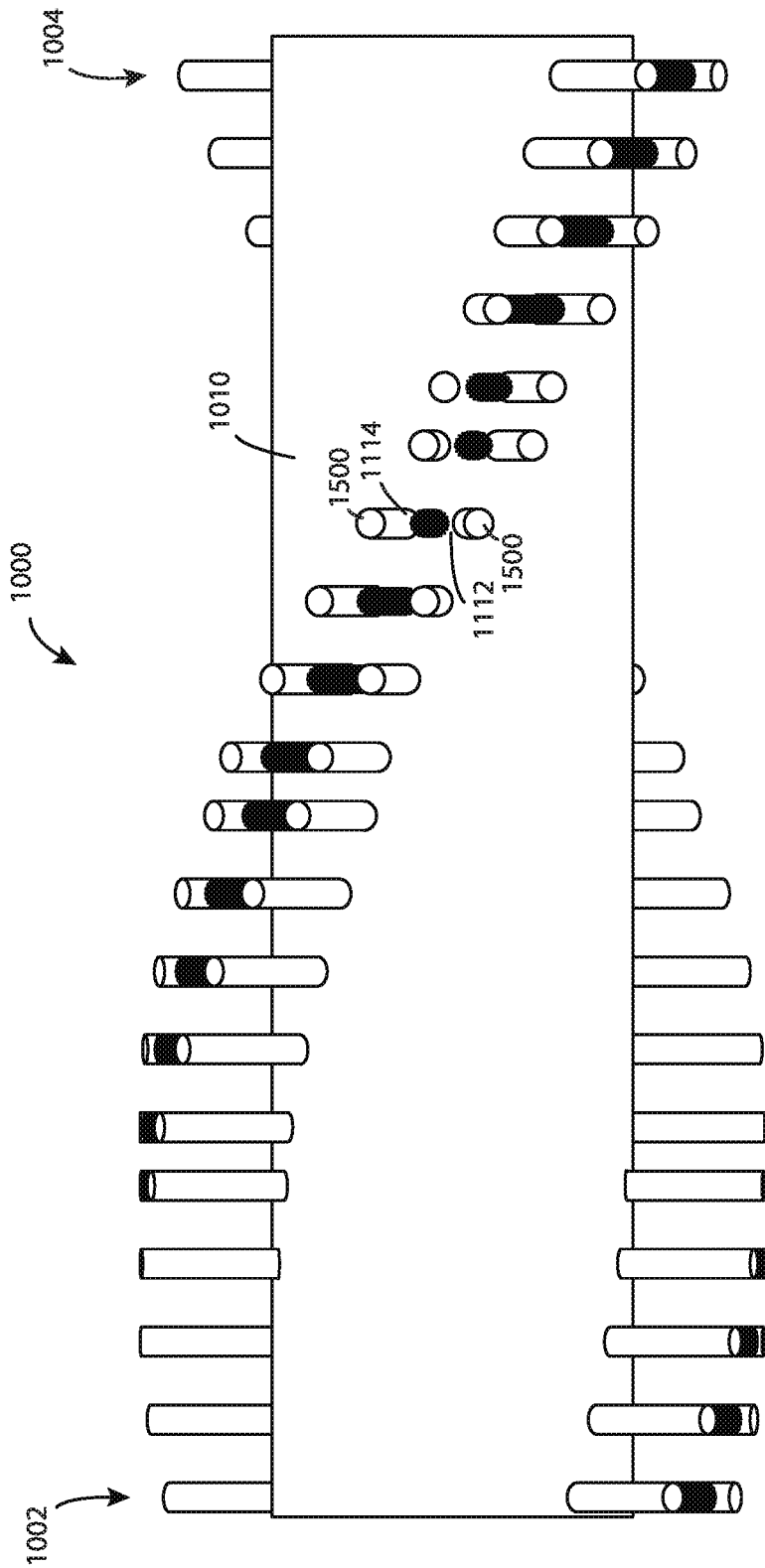
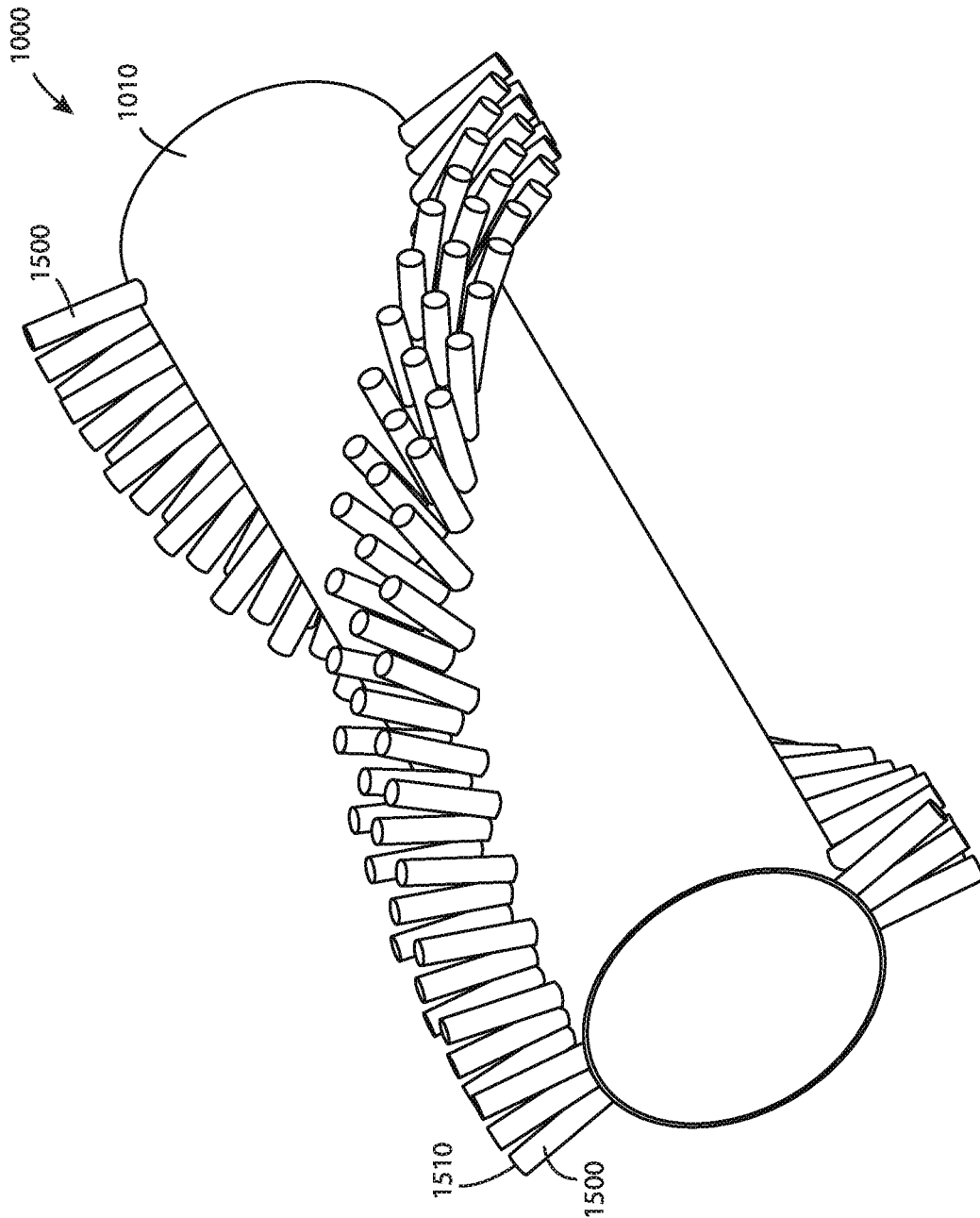


FIG. 107

FIG. 108



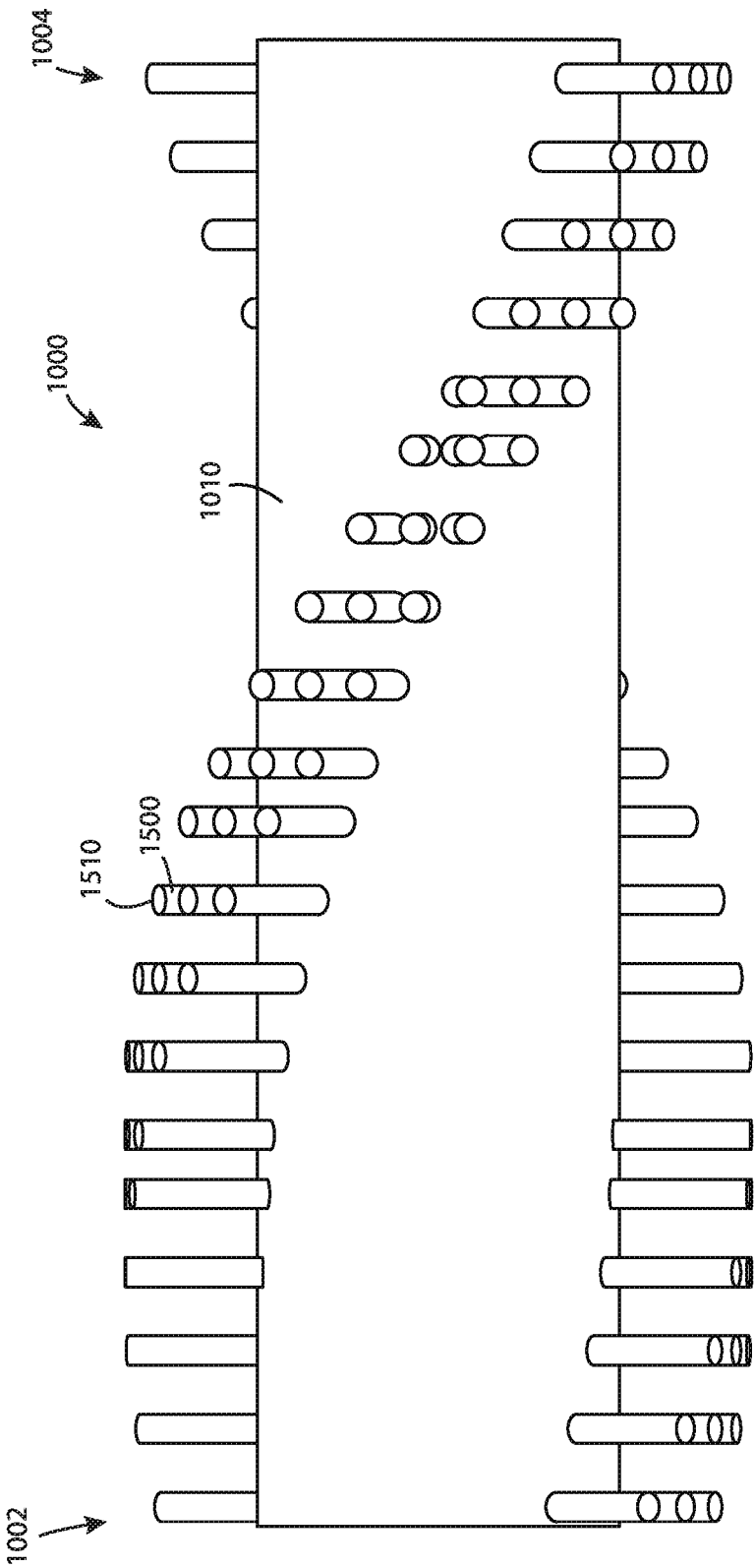


FIG. 109

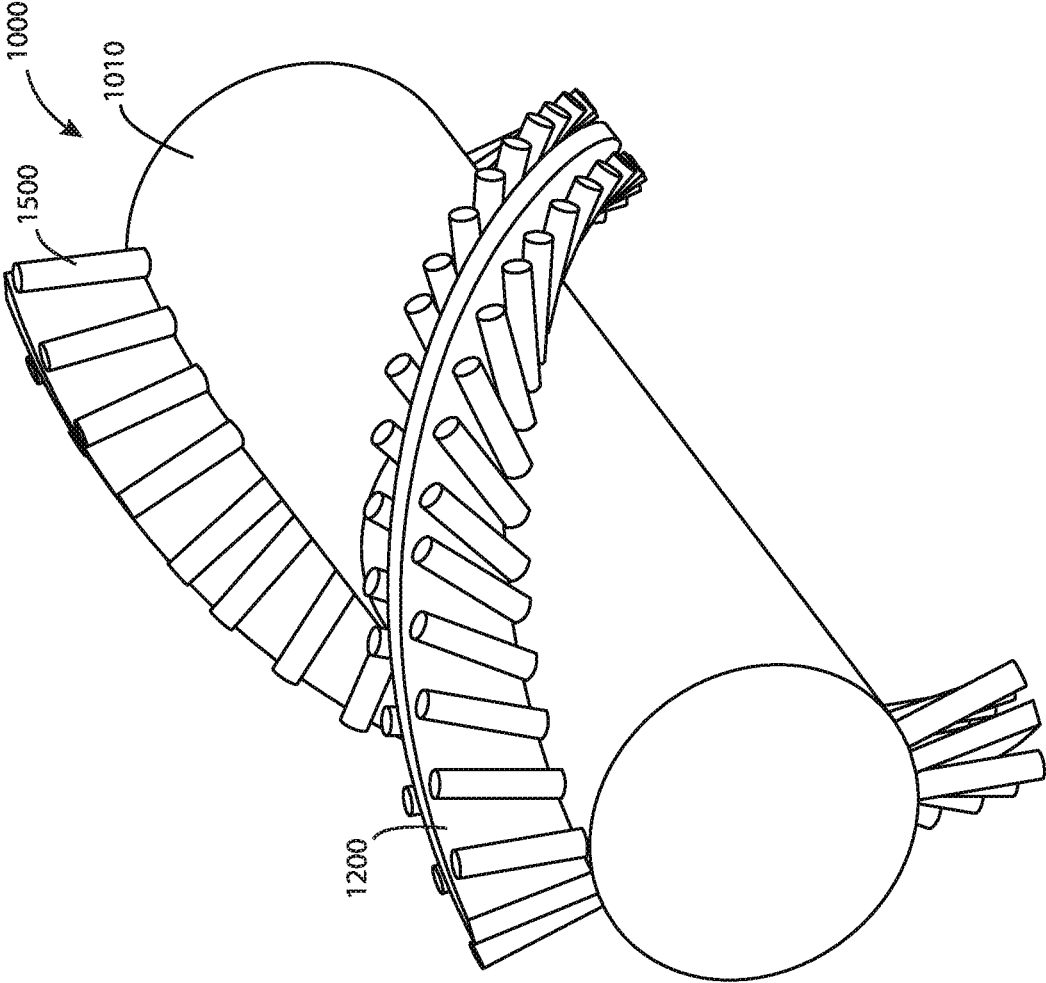


FIG. 110

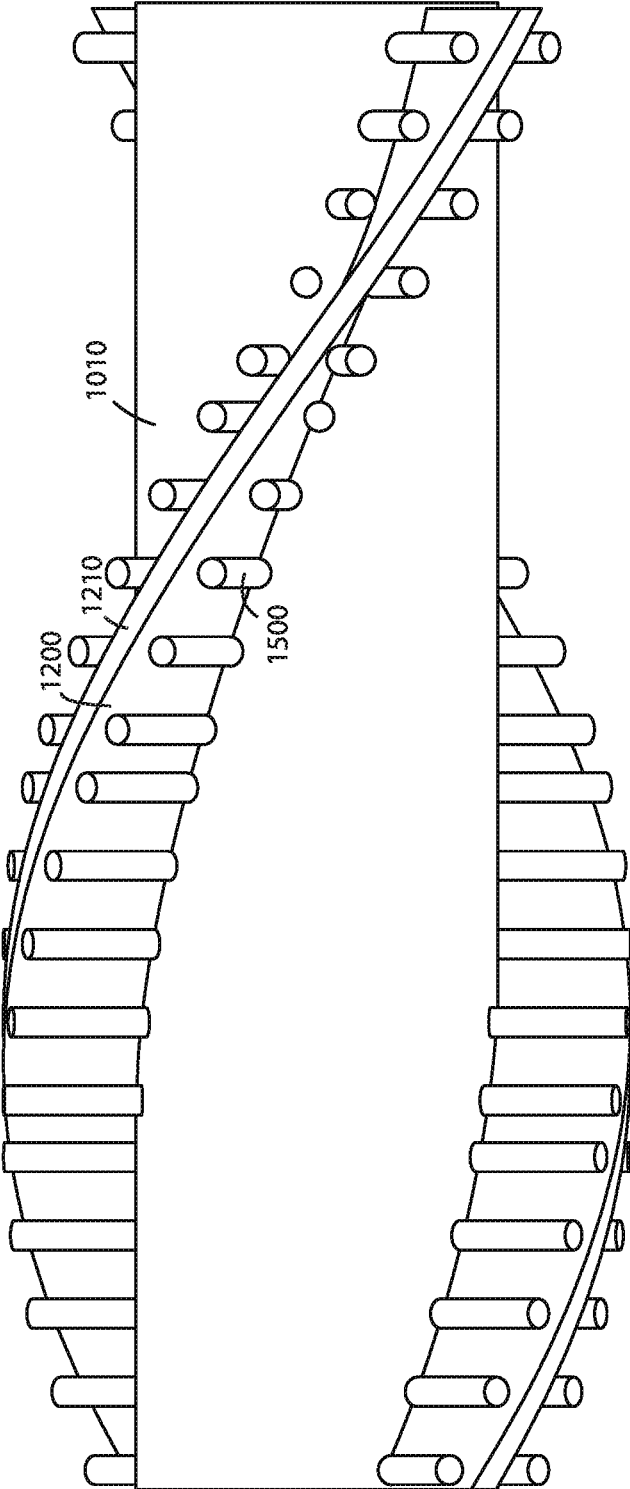


FIG. 111

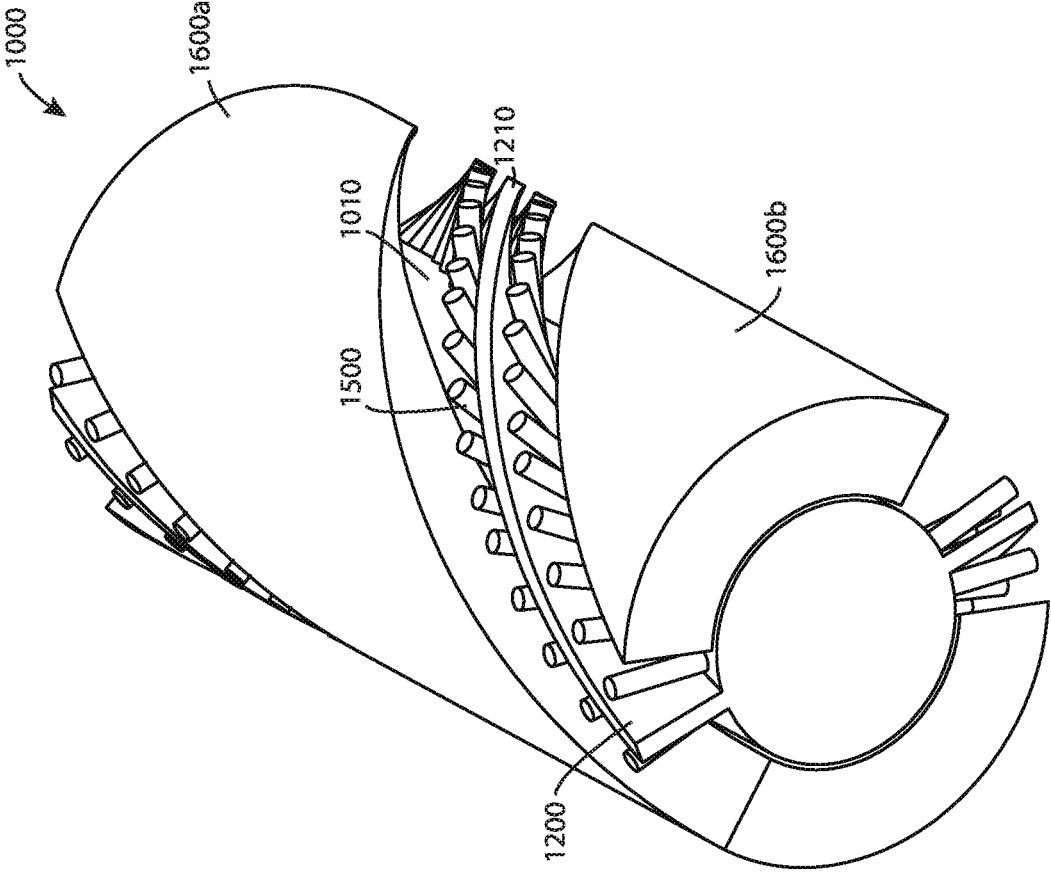


FIG. 112

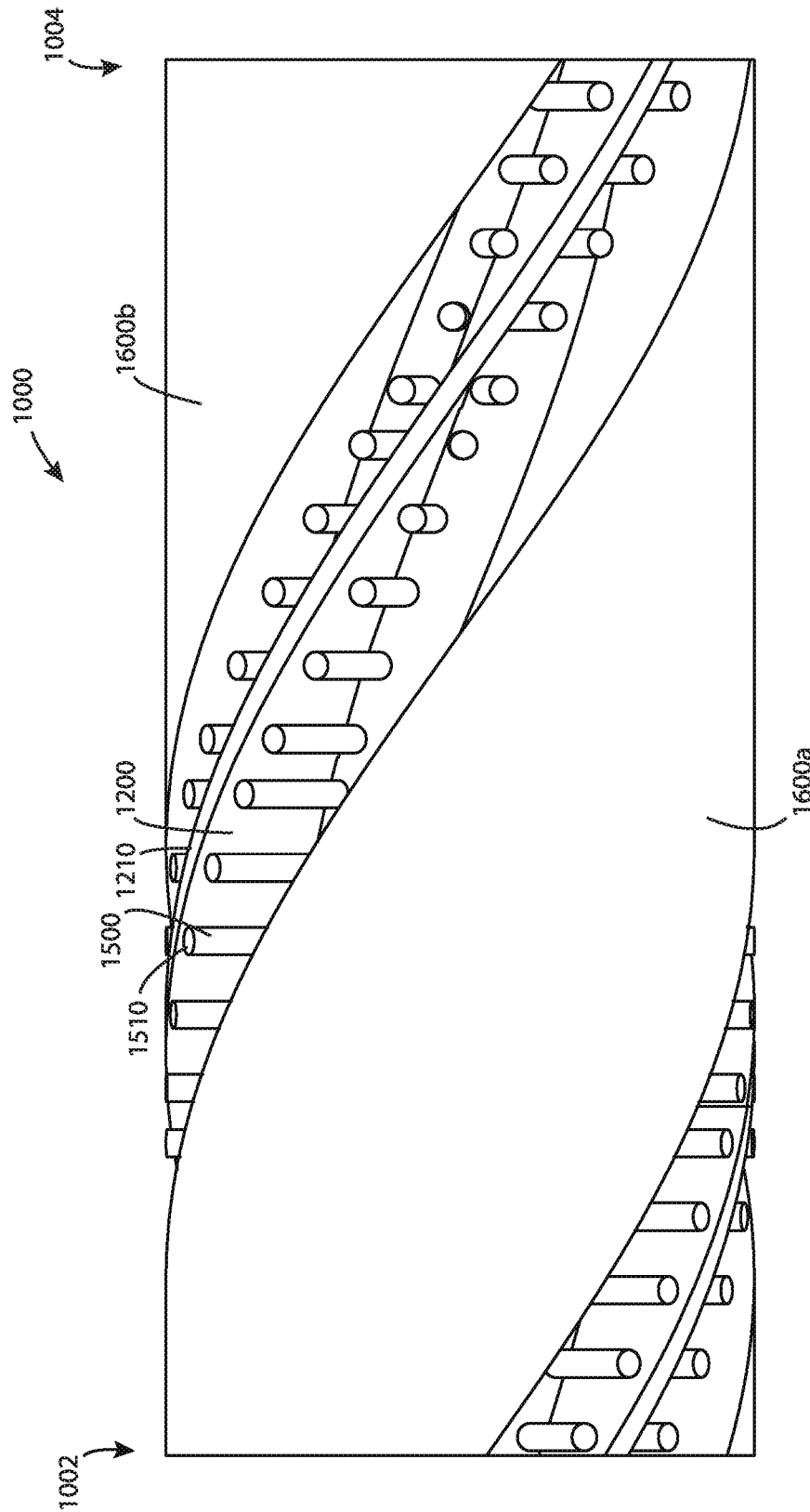


FIG. 113

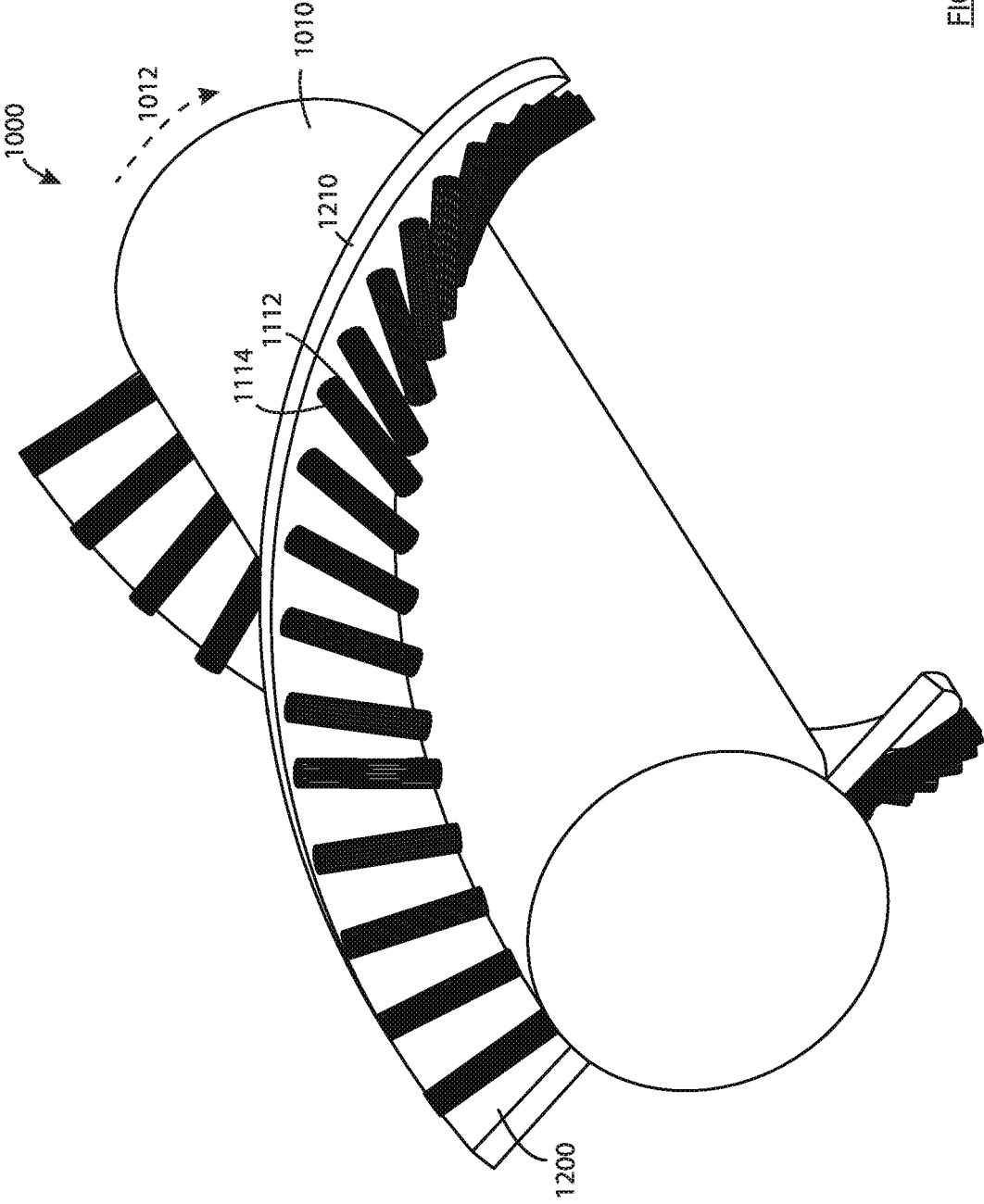


FIG. 114

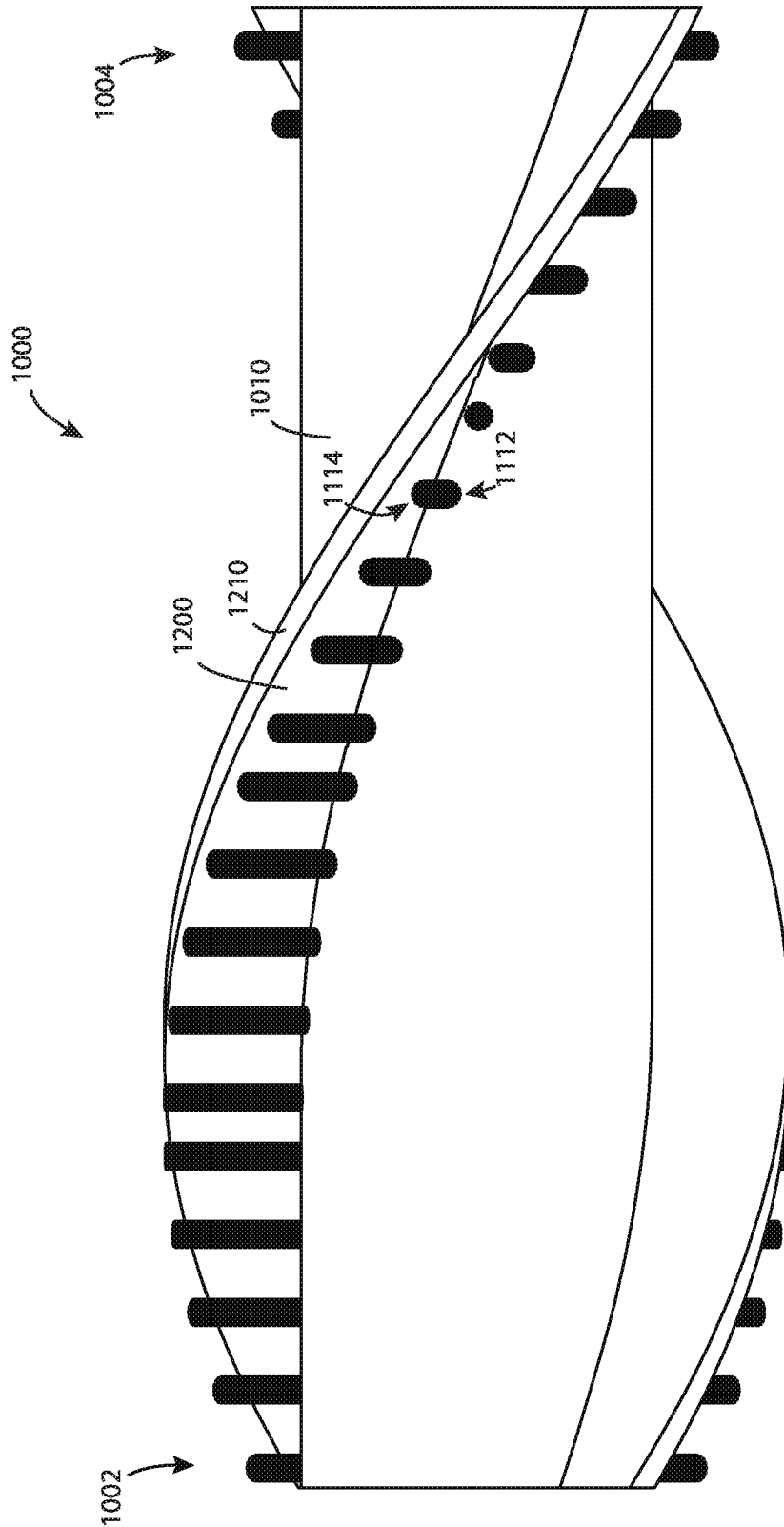


FIG. 115

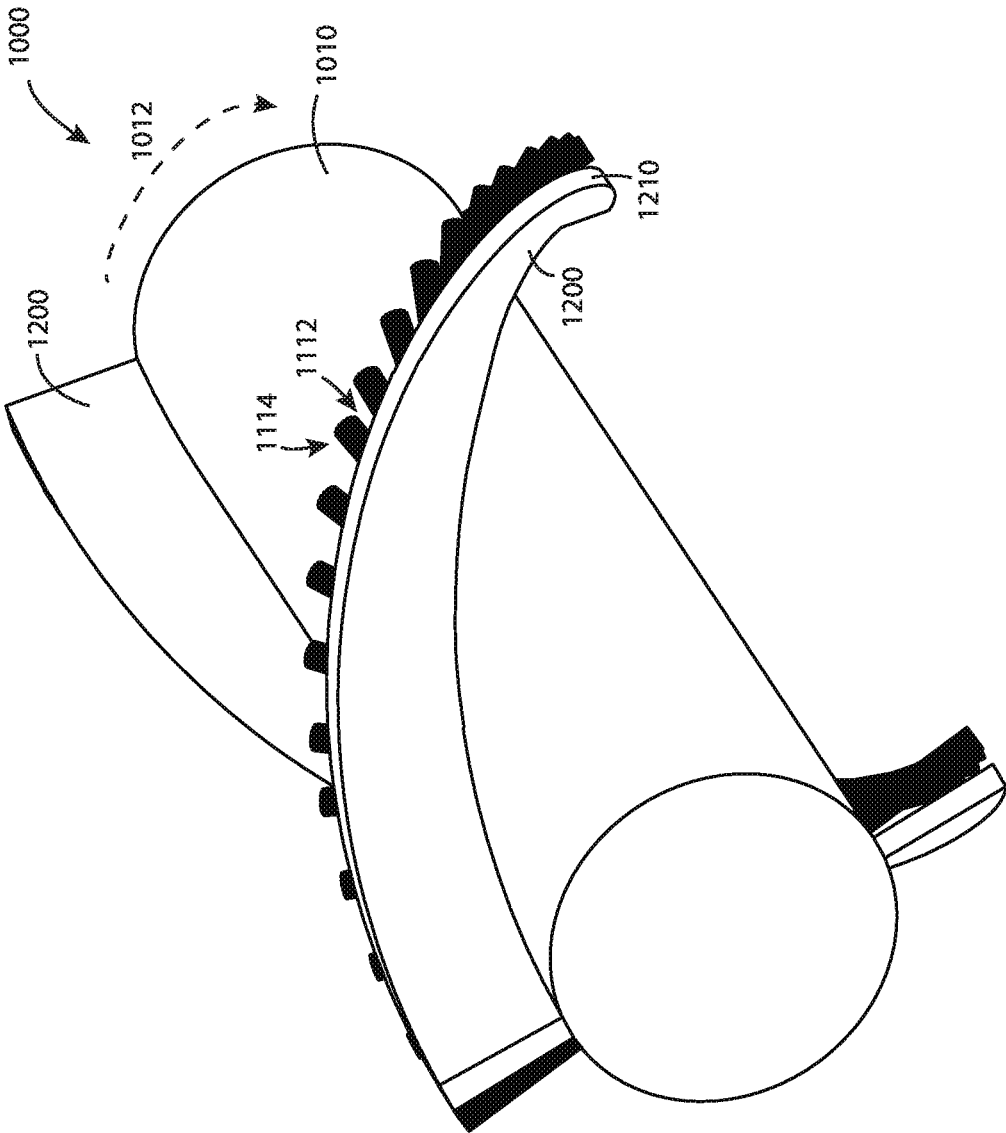


FIG. 116

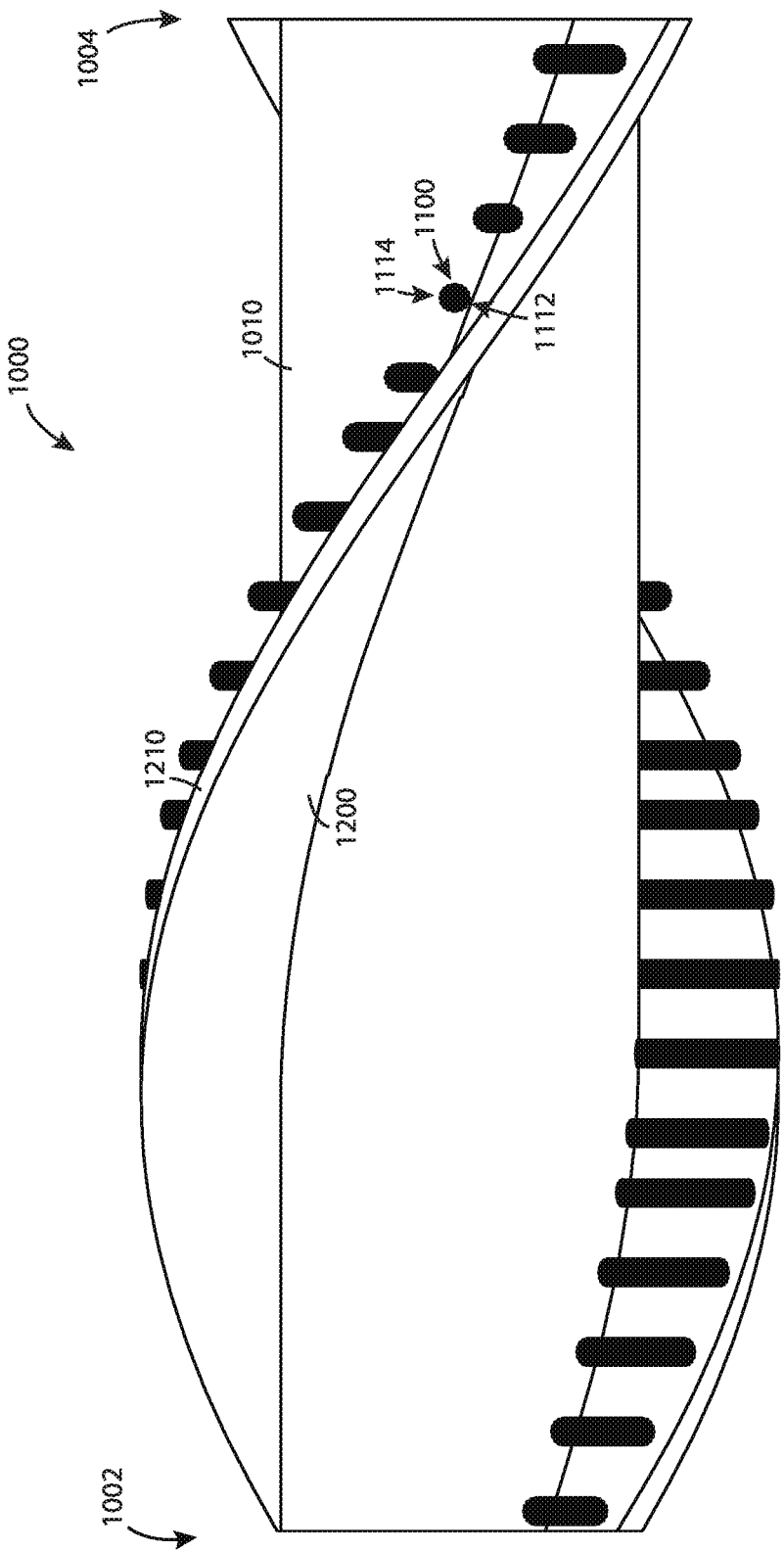


FIG. 117

1

ROTATABLE BRUSH FOR SURFACE CLEANING APPARATUS

FIELD

This disclosure relates generally to rotary brushes for use with surface cleaning apparatus. More specifically, this disclosure relates to brushes (which may also be referred to as brush rolls) with one or more features for inhibiting or preventing hair, string, or other strand-like debris from becoming embedded or lodged within bristles mounted on the brush roll, and/or from becoming wound about the brush roll.

INTRODUCTION

The following is not an admission that anything discussed below is part of the prior art or part of the common general knowledge of a person skilled in the art.

A cleaning head of a vacuum cleaner or other surface cleaning apparatus may be provided with one or more rotating agitators to assist in dislodging debris from a surface being cleaned, and/or to assist in conveying debris towards a dirty air inlet of the vacuum cleaner. For example, a brush roll having a number of tufts and/or rows of bristles extending radially outwardly from the brush roll may be provided in a cleaning head. In use, the brush roll may be rotated so that the bristles are brought into and out of contact with the surface being cleaned, thereby agitating debris on the surface.

Brush rolls are often effective at dislodging dust and other particulate debris from a surface, and/or at directing such particulate debris towards a dirty air inlet. However, debris such as hair, string, or other strand-like material may become embedded or otherwise entangled in the bristles of a typical brush roll. If a significant quantity of hair, string, or other strand-like material becomes embedded in the bristles, the performance of the brush roll may be impaired. Once such debris becomes embedded in the bristles, it may be difficult to dislodge from the brush roll. For example, a user may have to manually cut and/or otherwise manipulate such debris in order to dislodge it from the bristles, which may be considered a time consuming and/or otherwise undesirable task.

SUMMARY

The following introduction is provided to introduce the reader to the more detailed discussion to follow. The introduction is not intended to limit or define any claimed or as yet unclaimed invention. One or more inventions may reside in any combination or sub-combination of the elements or process steps disclosed in any part of this document including its claims and figures.

In accordance with one aspect of this disclosure, which may be used alone or in combination with any other aspect, a surface cleaning apparatus may be provided with a rotatable brush roll that has a plurality of bristles extending outwardly from its radial outer surface, along with leading and trailing hair blocking members, such as flexible elastomeric strips or segments, that are provided to inhibit or prevent hair, string, or other strand-like material from becoming embedded in the bristles. The hair blocking members are provided on opposite sides of the bristles, so that when the brush roll is rotated the forward hair blocking member precedes the bristles, and the trailing hair blocking member follows the bristles.

2

An advantage of this design is that the radial outer ends of the leading and trailing hair blocking members define a plane that may extend adjacent to or through the outer ends of the bristles. In this way, if a hair or other piece of strand-like debris contacts the ends of both the leading and trailing hair blocking members, the hair may extend and remain taut between the hair blocking members, and thereby be inhibited or prevented from becoming embedded deep in the bristles. For example, if the plane defined by the end of the hair blocking members extends through the outer end of the bristles, hair or other strand-like debris may be inhibited or prevented from migrating into the bristles beyond the intersection of the plane and the bristle ends.

Optionally, the hair blocking member is flexible. For example, it may be made from an elastomeric material. Accordingly, it may be resiliently deformable.

Optionally, the leading and trailing hair blocking members and the bristles may have similar heights or, alternatively, one may have a similar height and one may be shorter (e.g. the radial length of the trailing blocking member and the radial length of the bristles may be about the same, and the leading hair blocking member may be shorter than the bristles). An advantage of this design is that, when the ends of the bristles and the ends of the leading and trailing hair blocking members are in contact with a surface being cleaned, the outer ends of the leading and trailing hair blocking members may deform to essentially lie in the same plane as the ends of the bristles (i.e., they may all lie in the plane of the floor being cleaned). When the brush rolls continues to rotate such that the bristles and the leading and trailing hair blocking members are no longer in contact with the floor, then the leading and trailing hair blocking members may rebound to their non-deformed shape. If one, e.g., the trailing hair blocking member, is about the same height as the bristles, then once rebounded the leading and trailing hair blocking members may define a plane that extends adjacent to or through the outer ends of the bristles. In this way, if hair or other strand-like debris has migrated or otherwise become embedded into the bristles, when the bristle ends contacts the surface being cleaned, some or all of the embedded hair may be drawn taut between the hair blocking members, and thereby be partially or completely dislodged from the bristles, or at least migrated outwardly towards the ends of the bristles. Further, the action of the trailing hair blocking member rebounding to its non-deformed shape may not only pull hair out of the bristles but may possibly cause the hair to snap if the action of rebounding applies a tensile force greater than the yield strength of the hair.

In accordance with this broad aspect, there is provided a surface cleaning apparatus comprising:

- a) an air flow path extending from a dirty air inlet to a clean air outlet with an air treatment member and a suction motor provided in the air flow path;
- b) a rotatably mounted brush associated with the dirty air inlet, the rotatably mounted brush having an axis of rotation, a length in the axial direction, a radial outer surface, and first and second axially spaced apart sides;
- c) a plurality of bristles extending outwardly from the radial outer surface, the bristles having a bristle length from the radial outer surface to an outer end of the bristles;
- d) a leading hair blocking member provided adjacent a forward rotational side of the bristles, the leading hair blocking member having a length from the radial outer surface to an outer end of the leading hair blocking member; and,

3

e) a trailing hair blocking member provided adjacent a rearward rotational side of the bristles, the trailing hair blocking member having a length from the radial outer surface to an outer end of the trailing hair blocking member.

In any embodiment, the leading hair blocking member may abut the forward rotational side of the bristles.

In any embodiment, the trailing hair blocking member may abut the rearward rotational side of the bristles.

In any embodiment, the leading hair blocking member may be spaced from 1 to 5 mm, optionally from 2 to 4 mm, forward of the forward rotational side of the bristles.

In any embodiment, the trailing hair blocking member may be spaced from 1 to 5 mm, optionally from 2 to 4 mm, the rearward rotational side of the bristles.

In any embodiment, the length of the leading hair blocking member may be smaller than the length of the bristles.

In any embodiment, the length of the trailing hair blocking member may be proximate the length of the bristles.

In any embodiment, the length of the trailing hair blocking member may be proximate the length of the bristles.

In any embodiment, the length of the trailing hair blocking member may be at least 80% the length of the bristles but may not extend outward of the outer end of the bristles.

In any embodiment, when the bristles and the trailing hair blocking member each contact a floor, the outer ends of the leading and trailing hair blocking members may define a plane that is adjacent the outer ends of the bristles.

In any embodiment, when the bristles and the trailing hair blocking member each contact a floor, the outer ends of the leading and trailing hair blocking members may define a plane that is adjacent the outer ends of the bristles.

In any embodiment, the leading and trailing hair blocking members may each comprise a flexible member that extends between the first and second axially spaced apart sides.

In any embodiment, at least one of the leading and trailing hair blocking members may comprise a plurality of abutting segments positioned axially along the rotatably mounted brush.

In any embodiment, at least one of the leading and trailing hair blocking members may extend continuously between the first and second axially spaced apart sides.

In any embodiment, the leading and trailing hair blocking members may be less flexible than the bristles.

In any embodiment, the trailing hair blocking member may be less flexible than the leading hair blocking member.

Also in accordance with this broad aspect, there is also provided a surface cleaning apparatus comprising:

a) an air flow path extending from a dirty air inlet to a clean air outlet with an air treatment member and a suction motor provided in the air flow path;

b) a rotatably mounted brush associated with the dirty air inlet, the rotatably mounted brush having an axis of rotation, a length in the axial direction, a radial outer surface, and first and second axially spaced apart sides;

c) a plurality of bristles extending outwardly from the radial outer surface, the bristles having a bristle length from the radial outer surface to an outer end of the bristles;

d) a leading hair blocking member provided forward of a forward rotational side of the bristles, the leading hair blocking member having a length from the radial outer surface to an outer end of the leading hair blocking member; and,

e) a trailing hair blocking member provided rearward of a rearward rotational side of the bristles, the trailing

4

hair blocking member having a length from the radial outer surface to an outer end of the trailing hair blocking member,

wherein, when the bristles and the trailing hair blocking member each contact a floor, the outer ends of the leading and trailing hair blocking members define a plane that is adjacent the outer ends of the bristles, and wherein the length of the leading hair blocking member is smaller than the length of the bristles.

In any embodiment, the length of the trailing hair blocking member may be at least 80% the length of the bristles but may not extend outward of the outer end of the bristles.

In any embodiment, the leading and trailing hair blocking members may be less flexible than the bristles.

In any embodiment, the trailing hair blocking member may be less flexible than the leading hair blocking member.

In accordance with a second aspect of this disclosure, which may be used alone or in combination with any other aspect, a surface cleaning apparatus may be provided with a rotatable brush roll that has a plurality of bristles extending outwardly from its radial outer surface, and at least one, optionally a plurality, and optionally all of the bristles are encased in a sheath to inhibit or prevent hair, string, or other strand-like material from becoming deeply embedded in the bristles encased by the sheath.

An advantage of this design is that as a piece of hair, string, or another piece of strand-like material migrates inwardly between sheathed bristles, once it contacts the radial outer end of the bristle sheath, the hair may be inhibited or prevented from further inward migration, and thereby prevented from becoming deeply embedded in the bristles. For example, where some or all of the bristles are provided in the form of bristle tufts, some or all of the bristle tufts may be individually sheathed to inhibit or prevent hair, string, or other strand-like material from becoming embedded in the sheathed bristle tufts.

Optionally, the sheath is flexible. For example, it may be made from an elastomeric material. An advantage of providing a flexible sheath is that the sheath may have a limited or negligible impact on the ability of the sheathed bristles to bend or flex, e.g. when they contact a floor surface. For example, a bristle sheath may have a radial length of at least 50%, at least 75%, or at least 90% of the length of the bristles encased by the sheath. By providing a flexible sheath, the entire length of the bristles may be able to flex, even though only about 50%, 25%, or about 10% of the length of the bristles may protrude radially outwardly from the sheath.

In accordance with this second aspect, there is provided a surface cleaning apparatus comprising:

a) an air flow path extending from a dirty air inlet to a clean air outlet with an air treatment member and a suction motor provided in the air flow path;

b) a rotatably mounted brush associated with the dirty air inlet, the rotatably mounted brush having an axis of rotation, a length in the axial direction and a radial outer surface; and,

c) a plurality of bristles extending outwardly from the radial outer surface, the bristles having a bristle length from the radial outer surface to an outer end of the bristles, wherein at least some of the bristles are encased in a sheath which extends at least 50% of the length of the bristles and terminate prior to the outer end.

5

In any embodiment, the rotatable brush may comprise a plurality of tufts wherein each tuft may comprise a plurality of bristles wherein at least some of the tufts are encased in a sheath.

In any embodiment, the tufts may be spaced apart from each other and extend along the length of the rotatably mounted brush.

In any embodiment, the sheath may be flexible.

In any embodiment, the sheath may be comprised of an elastomeric material.

In any embodiment, the sheath may extend along at least 75% of the length of the bristles.

In any embodiment, the sheath may extend along at least 90% of the length of the bristles.

In any embodiment, the sheath may be generally circular in cross-section in a direction transverse to a radial length of the tufts.

Also in accordance with this second aspect, there is also provided a surface cleaning apparatus comprising:

- a) an air flow path extending from a dirty air inlet to a clean air outlet with an air treatment member and a suction motor provided in the air flow path; and,
- b) a rotatably mounted brush associated with the dirty air inlet, the rotatably mounted brush having an axis of rotation, a length in the axial direction and a radial outer surface, a plurality of tufts extending outwardly from the radial outer surface, each tuft comprising a plurality of bristles, wherein at least some of the tufts are encased in a flexible sheath.

In any embodiment, the tufts may be spaced apart from each other and may extend along the length of the rotatably mounted brush.

In any embodiment, the sheath may be flexible.

In any embodiment, the sheath may be comprised of an elastomeric material.

In any embodiment, the sheath may be generally circular in cross-section in a direction transverse to a radial length of the tufts.

In any embodiment, the bristles have a bristle length from the radial outer surface to an outer end of the bristles, wherein at least some of the sheaths may extend at least 50% of the length of the bristles and may terminate prior to the outer end.

Also in accordance with this second aspect, there is also provided a surface cleaning apparatus comprising:

- a) an air flow path extending from a dirty air inlet to a clean air outlet with an air treatment member and a suction motor provided in the air flow path; and,
- b) a rotatably mounted brush associated with the dirty air inlet, the rotatably mounted brush having an axis of rotation, a length in the axial direction and a radial outer surface, a plurality of tufts extending outwardly from the radial outer surface, each tuft comprising a plurality of bristles, wherein a radial inner portion of the bristles of at least some of the tufts, which radial inner portion is located outwardly from the radial outer surface of the rotatably mounted brush, are secured together to inhibit ingress of hairs.

In any embodiment, the radial inner portion may be at least 50% of a length of the bristles from the radial outer surface to an outer end of the bristles, wherein the radial inner portion terminates prior to the outer end.

In any embodiment, the radial inner portion may be at least 75% of the length of the bristles.

In any embodiment, the radial inner portion may be flexible.

6

In accordance with a third aspect of this disclosure, which may be used alone or in combination with any other aspect, a surface cleaning apparatus may be provided with a rotatable brush roll that has a plurality of bristle tufts, and a hair blocking member is provided within at least one of the tufts to inhibit or prevent hair, string, or other strand-like material from becoming deeply embedded in the bristles of that tuft. The hair blocking member is provided within the tuft so that when the brush roll is rotated, a portion of the bristles in the tuft precede the hair blocking member, and a portion of the bristles in the tuft follow the hair blocking member. Preferably, the outer end of the hair blocking member is at least as wide as the tuft.

Optionally, the radial length of the hair blocking member may be about the same as (i.e. proximate) the length of the bristles within the tuft. An advantage of this design is that the outer end of the hair blocking member may inhibit or prevent hair, string, or other strand-like material from becoming embedded in the bristles of the tuft in which it is positioned.

Optionally, the hair blocking member is flexible. For example, it may be made from an elastomeric material. Accordingly, it may be resiliently deformable. Accordingly, the hair blocking member may enable the tufts to flex the same as if the hair blocking member were not present.

Alternatively, the length of the hair blocking member may be less than the length of the bristles within the tuft, e.g. within about 80% to 99% of the length of the bristles. An advantage of this design is that as a piece of hair, string, or another piece of strand-like material migrates inwardly between the bristles of the tuft, if it contacts the radial outer end of the hair blocking member, the hair may be inhibited or prevented from further inward migration, and thereby prevented from becoming deeply embedded in the bristle tuft.

In accordance with this third aspect, there is provided a surface cleaning apparatus comprising:

- a) an air flow path extending from a dirty air inlet to a clean air outlet with an air treatment member and a suction motor provided in the air flow path;
- b) a rotatably mounted brush associated with the dirty air inlet, the rotatably mounted brush having an axis of rotation, a length in the axial direction, a radial outer surface, and first and second axially spaced apart sides; and,
- c) the rotatably mounted brush comprises a plurality of tufts wherein each tuft comprises a plurality of bristles extending outwardly from the radial outer surface, the bristles having a bristle length from the radial outer surface to an outer end of the bristles; and,
- d) a hair blocking member provided proximate at least one tuft of the plurality of tufts and between a forward rotational side of the at least one tuft and a rearward rotational side of the at least one tuft, the hair blocking member having a length from the radial outer surface to an outer end of the hair blocking member and the outer end of the hair blocking member has a width in an axial direction of the rotatably mounted brush which is at least as wide as the at least one tuft.

In any embodiment, the hair blocking member may comprise a plurality of segments positioned axially along the rotatable brush.

In any embodiment, each segment may comprise a support column extending outwardly from the radial outer surface and an outer end, and the outer end of each segment may be wider than at least a portion of the support column.

In any embodiment, the outer end of each segment may extend in a direction that is at an angle to the axial direction.

In any embodiment, the outer end of each segment may comprise a generally T-shaped member.

In any embodiment, the tufts may extend in at least one row between the first and second axially spaced apart sides and the hair blocking member may comprise a plurality of generally T-shaped member extending along the at least one row.

In any embodiment, the tufts may extend in at least one row between the first and second axially spaced apart sides and the outer end of each segment may extend generally parallel to the row of bristles.

In any embodiment, the hair blocking member may comprise a support column extending away from the radial outer surface and an outer end wherein at least a portion of the support column may be narrower than the outer end of the hair blocking member whereby the flexibility of the hair blocking member may be increased.

In any embodiment, the hair blocking member may extend continuously between the first and second axially spaced apart sides.

In any embodiment, the tufts may extend in at least one row between the first and second axially spaced apart sides and the hair blocking member may extend continuously between the first and second axially spaced apart sides.

In any embodiment, the tufts may extend in at least one row between the first and second axially spaced apart sides and the hair blocking member may comprise a flexible strip extending between the first and second axially spaced apart sides wherein the flexible strip is subdivided into a plurality of segments by a plurality of axially spaced apart breaks extending at least part way towards the radial outer surface from an outer end of the flexible strip.

In any embodiment, the length of the hair blocking member may be smaller than the length of the bristles.

In any embodiment, the length of the hair blocking member may be proximate the length of the bristles.

In any embodiment, the length of the hair blocking member may be at least 80% the length of the bristles but may not extend outward of the outer end of the bristles.

In any embodiment, the hair blocking member may be less flexible than the bristles.

Also in accordance with this third aspect, there is provided a surface cleaning apparatus comprising:

- a) an air flow path extending from a dirty air inlet to a clean air outlet with an air treatment member and a suction motor provided in the air flow path;
- b) a rotatably mounted brush associated with the dirty air inlet, the rotatably mounted brush having an axis of rotation, a length in the axial direction, a radial outer surface and first and second axially spaced apart sides; and,
- c) a plurality of bristles extending outwardly from the radial outer surface, the bristles having a bristle length from the radial outer surface to an outer end of the bristles; and,
- d) a hair blocking member between a forward rotational side of the bristles and a rearward rotational side of the bristles, the hair blocking member having a length from the radial outer surface to an outer end of the hair blocking member and a width in an axial direction of the rotatably mounted brush which is at least which is at least 50% of a width of the bristles.

In any embodiment, the length of the hair blocking member may be smaller than the length of the bristles.

In any embodiment, the length of the hair blocking member may be proximate the length of the bristles.

In any embodiment, the length of the hair blocking member may be at least 80% the length of the bristles but may not extend outward of the outer end of the bristles.

In any embodiment, the hair blocking member may be less flexible than the bristles.

In any embodiment, the bristles may be provided as a plurality of tufts and the hair blocking member may have a width that is at least 50% of a width of one of the tufts.

In accordance with a fourth aspect of this disclosure, which may be used alone or in combination with any other aspect, a surface cleaning apparatus may be provided with a rotatable brush roll that has a plurality of bristles extending outwardly from the brush core, and a heating element, such as a resistive heating element, is also provided exterior to the brush core. The heating element may be used to thermally degrade or break hair, string, or other strand-like material that has become wound about the brush roll.

An advantage of this design is that hair or other strand-like debris may be broken into smaller pieces without requiring the use of e.g. a knife, scissors, or other mechanical means. For example, instead of requiring a user to remove or otherwise access the brush roll and manually cut and/or dislodge the wound debris, a user may simply activate the resistive heating element. This may be considered more convenient and/or less laborious by a user.

Preferably, the heating element is operable at a temperature above a temperature at which hair burns and below a degradation temperature of the bristles. That is, the bristles may be unaffected (or at least only negligibly affected) by heat emitted by the heating element. An advantage of this design is that the heating element may be operated for longer periods of time without risk of damaging the bristles, which may lead to greater degradation of wound hair, string, or other strand-like material.

It will be appreciated that thermally degrading or burning hair may result in the emission of undesirable odors. Optionally, the suction motor of the surface cleaning apparatus may be operated when the heating element is actuated. Thus, some or all of the odorous particles released during the thermal degradation of the hair may be drawn into air treatment member of the surface cleaning apparatus, which may reduce or otherwise mitigate odors resulting from the thermal degradation.

Optionally a debriding member may be provided. The debriding member may be engaged after the heating element is actuated. The debriding member may be a rib or the like that extends past the outer end of the bristles. The debriding member may therefore dislodge truncated pieces of elongate material such as hair, which are formed by the use of the heating element.

In accordance with this fourth aspect, there is provided a surface cleaning apparatus comprising:

- a) an air flow path extending from a dirty air inlet to a clean air outlet with an air treatment member and a suction motor provided in the air flow path;
- b) a rotatably mounted brush associated with the dirty air inlet, the rotatably mounted brush having a brush core, an axis of rotation, a length in the axial direction, and first and second axially spaced apart sides; and,
- c) a plurality of bristles extending outwardly from the brush core, the bristles having a bristle length from the brush core to an outer end of the bristles; wherein the rotatably mounted brush has a heating element that is positioned exterior to the brush core.

In any embodiment, the heating element may be operable at a temperature above a temperature at which hair burns and below a degradation temperature of the bristles.

In any embodiment, the heating element may comprise a resistive heating element.

In any embodiment, the heating element may extend between the first and second axially spaced apart sides.

In any embodiment, the heating element may extend continuously between the first and second axially spaced apart sides.

In any embodiment, bristles may be provided in at least one row extending between the first and second axially spaced apart sides and the heating element may be provided in the row of bristles.

In any embodiment, the heating element may be provided spaced from the brush core.

In any embodiment, the heating element may be provided radially outwardly from the brush core towards the outer end of the bristles.

In any embodiment, the bristles may have a radial outer portion located from a position 75% along the length of the bristles and the outer end of the bristles and the heating element may be located in the outer portion.

In any embodiment, the heating element may be provided on the brush core.

In any embodiment, the heating element may be provided adjacent at least one of a forward rotational side of the bristles and a rearward rotational side of the bristles.

In any embodiment, the heating element may be provided spaced from the brush core and the surface cleaning apparatus may further comprise more than two heating element support members spaced axially along the length of the brush.

In any embodiment, the heating element support members may be flexible.

In any embodiment, the heating element may only be operable when the suction motor is actuated.

In any embodiment, the heating element may be manually actuatable.

In any embodiment, the heating element may be automatically actuated when the suction motor is actuated.

In any embodiment, the heating element may be operable only when the rotatably mounted brush is positioned above a floor on which the surface cleaning apparatus is positioned.

In any embodiment, the surface cleaning apparatus may be an upright surface cleaning apparatus having a surface cleaning head which has the dirty air inlet and an upright section moveably mounted to the surface cleaning head between an upright storage position and a reclined floor cleaning position, the upright surface cleaning apparatus having a lift off mechanism operable between a floor cleaning position in which the rotatably mounted brush is positioned to clean a floor on which the surface cleaning head is positioned and a raised position in which the rotatably mounted brush is spaced from the floor, and the heating element may be operable when the lift off mechanism is in the raised position.

In any embodiment, the lift off mechanism may be automatically moved to the raised position when the upright section is moved into the upright storage position and the surface cleaning apparatus may have a sensor operable to determine when the upright section is in the upright storage position and the heating element may be actuated when the sensor issues a signal indicative that the upright section is in the upright storage position.

In any embodiment, the heating element may be automatically actuated when the lift off mechanism is moved to the raised position.

In any embodiment, the suction motor may be operable at a first speed when the surface cleaning apparatus is operated to clean a floor and a second speed, which is lower than the first speed, when the heating element is actuated.

In accordance with a fifth aspect of this disclosure, which may be used alone or in combination with any other aspect, a surface cleaning apparatus may be provided with a rotatable brush roll that has at least one hard floor cleaning pad and a flexible protective pad member (e.g. bristles and/or bristle tufts). The protective pad member is spaced from the hard floor cleaning pad, so that the protective pad member can flex when engaging a surface to be cleaned without being limited by engagement with the hard floor cleaning pad.

An advantage of this design is that, even though the hard floor cleaning pad may be recessed radially from the outer end of the flexible protective pad member, when the end of the protective pad member has flexed due to contact with a surface being cleaned, the outer surface of the hard floor cleaning pad may also contact the floor surface. When the hard floor cleaning pad and the flexible protective pad member are both in contact with the floor surface, hair or other strand-like debris that has migrated or otherwise become embedded into the flexible protective pad member may be partially or completely dislodged from the protective pad member, or at least migrated outwardly towards the ends of the protective pad member.

Optionally, a second protective pad member may be provided on the other side of the hard floor cleaning pad from the second protective pad member. An advantage of this design is that the outer surface of the hard floor cleaning pad may inhibit or prevent hair, string, or other strand-like material from becoming embedded in the one or both of the first and second protective pad members. Also, hair or other strand-like debris that has migrated or otherwise become embedded into the first and/or second flexible protective pad members may be partially or completely dislodged from that protective pad member, or at least migrated outwardly towards the ends of that protective pad member, when the hard floor cleaning pad and that flexible protective pad member are both in contact with the floor surface.

In accordance with this fifth aspect, there is provided a surface cleaning apparatus comprising:

- a) an air flow path extending from a dirty air inlet to a clean air outlet with an air treatment member and a suction motor provided in the air flow path;
- b) a rotatably mounted brush associated with the dirty air inlet, the rotatably mounted brush having an axis of rotation, a length in the axial direction, a radial outer surface and first and second axially spaced apart sides;
- c) at least one hard floor cleaning pad provided on the radial outer surface, the hard floor cleaning pad having a radial outer floor cleaning surface; and,
- d) a flexible first protective pad member having a length from the radial outer surface of the rotatably mounted brush to an outer end of the first protective pad member such that the outer end of the first protective pad member engages a floor as the rotatably mounted brush rotates, wherein the first protective pad member is positioned in one of the following positions:
 - i) spaced forwardly from a forward rotational side of the hard floor cleaning pad by a distance such that the first protective pad member can flex when the outer end of the first protective pad member engages the

11

floor without being limited by engagement with the hard floor cleaning pad, and

- ii) spaced rearwardly from a rearward rotational side of the hard floor cleaning pad by a distance such that the first protective pad member can flex when the outer end of the first protective pad member engages the floor without being limited by engagement with the hard floor cleaning pad.

In any embodiment, the first protective pad member may be positioned spaced forwardly from a forward rotational side of the hard floor cleaning pad by a distance such that the first protective pad member can flex when the outer end of the first protective pad member engages the floor without being limited by engagement with the hard floor cleaning pad, and a flexible second protective pad member may be positioned spaced rearwardly from a rearward rotational side of the hard floor cleaning pad by a distance such that the second protective pad member can flex when the outer end of the second protective pad member engages the floor without being limited by engagement with the hard floor cleaning pad.

In any embodiment, the hard floor cleaning pad may be provided on a rigid support member.

In any embodiment, the hard floor cleaning pad may comprise a microfiber pad.

In any embodiment, the outer end of the first protective pad member may be positioned spaced $\pm 1, 2, 3$ mm radially inwardly or radially outwardly of the radial outer end of the floor cleaning pad. Optionally, the front protective pad member may be shorter than the rear protective pad member and/or the radial outer end of the floor cleaning pad.

In any embodiment, the outer end of the first protective pad member may be positioned spaced 1-12, 1-8, 1-4 or 1-2 mm forward from the forward rotational side of the hard floor cleaning pad.

In any embodiment, the outer end of the first protective pad member may be positioned spaced 1-12, 1-8, 1-4 or 1-2 mm rearward from the rearward rotational side of the hard floor cleaning pad.

In any embodiment, when the radial outer floor cleaning surface of the hard floor cleaning pad, the first protective pad member and the second protective pad member each contact the floor, the outer ends of the first and second protective pad members may define a plane that is outward of the radial outer floor cleaning surface of the hard floor cleaning pad.

In any embodiment, the first protective pad member may comprise a row of bristles positioned generally parallel to the hard floor cleaning pad.

In any embodiment, the bristles may be grouped into tufts and a radial inner portion of the tufts may be secured together to inhibit ingress of hairs.

In any embodiment, the radial inner portion of the tufts may be encased in a sheath.

In any embodiment, the first protective pad member may comprise a flexible strip that extends between the first and second axially spaced apart sides.

In any embodiment, the first protective pad member may comprise a plurality of abutting segments positioned axially along the rotatably mounted brush.

In any embodiment, the first protective pad member may extend continuously between the first and second axially spaced apart sides.

In any embodiment, the first protective pad member may comprise a flexible strip extending between the first and second axially spaced apart sides wherein the flexible strip is subdivided into a plurality of segments by a plurality of

12

axially spaced apart breaks extending at least part way towards the radial outer surface from the outer end of the first protective pad member.

In any embodiment, the second protective pad member may be less flexible than the first protective pad member.

In any embodiment, the hard floor cleaning pad may be provided on a compressible support member and the compressible support member may be less flexible than the first protective pad member.

It will be appreciated by a person skilled in the art that an apparatus or method disclosed herein may embody any one or more of the features contained herein and that the features may be used in any particular combination or sub-combination.

These and other aspects and features of various embodiments will be described in greater detail below.

BRIEF DESCRIPTION OF THE DRAWINGS

For a better understanding of the described embodiments and to show more clearly how they may be carried into effect, reference will now be made, by way of example, to the accompanying drawings in which:

FIG. 1 is a perspective view of a surface cleaning apparatus in accordance with one embodiment;

FIG. 2 is a perspective sectional view of a cleaning head of the surface cleaning apparatus of FIG. 1;

FIG. 3 is a perspective view of a brush roll in accordance with one embodiment;

FIG. 4 is an end view of a brush roll in accordance with another embodiment;

FIG. 5 is a schematic cross-section view of bristles and leading and trailing hair blocking members secured to a brush roll;

FIG. 6 is an end view of the brush roll of FIG. 4 positioned above a floor surface;

FIG. 7 is an end view of the brush roll and floor surface of FIG. 6, with the brush roll rotated to bring the bristles into contact with the floor surface;

FIG. 8 is an end view of the brush roll and floor surface of FIG. 6, with the brush roll rotated to bring a trailing hair blocking member into contact with the floor surface while the bristles remain in contact with the floor surface;

FIG. 9 is an end view of the brush roll and floor surface of FIG. 6, with the brush roll further rotated with the trailing hair blocking member and bristles remaining in contact with the floor surface;

FIG. 10 is an end view of the brush roll and floor surface of FIG. 6, with the brush roll further rotated with the bristles out of contact with the floor surface and with the trailing hair blocking member remaining in contact with the floor surface;

FIG. 11 is a perspective view of a brush roll in accordance with another embodiment, with an enlarged view of an end of a sheathed bristle tuft;

FIG. 12 is a schematic cross-section view of a sheathed bristle tuft;

FIG. 13 is a top axial view of a sheathed bristle tuft in accordance with an embodiment;

FIG. 14 is a perspective view of a sheathed bristle tuft in accordance with an embodiment;

FIG. 15 is a perspective view of a sheathed bristle tuft in accordance with another embodiment;

FIG. 16 is a perspective view of a sheathed bristle tuft in accordance with another embodiment;

13

FIG. 17 is a perspective view of a brush roll in accordance with another embodiment, with an enlarged view of an end of a bristle tuft with an internal hair blocking member;

FIG. 18 is a top axial view of the bristle tuft of FIG. 17;

FIG. 19 is a schematic cross-section view of bristles and an internal hair blocking member secured to a brush roll;

FIG. 20 is a perspective view of bristle tufts with internal hair blocking members in accordance with another embodiment;

FIG. 21 is a perspective view of a brush roll in accordance with another embodiment, with an enlarged view of an end of a rectangular bristle tuft with an internal hair blocking member;

FIG. 22 is a top axial view of the bristle tuft of FIG. 21;

FIG. 23 is a perspective view of a brush roll in accordance with another embodiment, with an enlarged view of an end of a rectangular bristle tuft with an internal hair blocking member;

FIG. 24 is a top axial view of the bristle tuft of FIG. 23;

FIG. 25 is a perspective view of a brush roll in accordance with another embodiment, with an enlarged view of an end of a rectangular bristle tuft with an internal hair blocking member;

FIG. 26 is a top axial view of the bristle tuft of FIG. 25;

FIG. 27 is a perspective view of a brush roll in accordance with another embodiment, with an enlarged view of an end of a rectangular bristle tuft with an internal hair blocking member;

FIG. 28 is a top axial view of the bristle tuft of FIG. 27;

FIG. 29 is a perspective view of a brush roll in accordance with another embodiment, with an enlarged view of an end of a sheathed bristle tuft with an internal hair blocking member;

FIG. 30 is a perspective view of bristle tufts with internal hair blocking members in accordance with another embodiment;

FIG. 31 is a perspective view of a brush roll in accordance with another embodiment, with an enlarged view of an end of a sheathed rectangular bristle tuft with an internal hair blocking member;

FIG. 32 is a top axial view of the sheathed bristle tuft of FIG. 31;

FIG. 33 is a perspective view of a brush roll in accordance with another embodiment, with an enlarged view of an end of a sheathed rectangular bristle tuft with an internal hair blocking member;

FIG. 34 is a top axial view of the sheathed bristle tuft of FIG. 33;

FIG. 35 is a perspective view of a brush roll in accordance with another embodiment, with an enlarged view of an end of a sheathed rectangular bristle tuft with an internal hair blocking member;

FIG. 36 is a top axial view of the sheathed bristle tuft of FIG. 35;

FIGS. 37 to 39 are a series of schematic end views showing a brush roll in accordance with another embodiment being rotated along a floor surface;

FIG. 40 is a perspective view of a brush roll in accordance with another embodiment, wherein a continuous strip comprises a plurality of internal hair blocking members that are positioned between rows of bristle tufts;

FIG. 41 is a top view of the brush roll of FIG. 40;

FIG. 42 is a perspective view of a brush roll in accordance with another embodiment, wherein a continuous T-shaped strip extends along a row of bristles and defines internal hair blocking members that are positioned between rows of bristle tufts;

14

FIG. 43 is a top view of the brush roll of FIG. 42;

FIG. 44 is a perspective view of a brush roll in accordance with another embodiment, wherein a continuous strip comprises a plurality of individual internal hair blocking members that are positioned between rows of bristle tufts;

FIG. 45 is a top view of the brush roll of FIG. 44;

FIG. 46 is a perspective view of a brush roll in accordance with another embodiment, with a plurality of individual internal hair blocking members positioned between rows of bristle tufts;

FIG. 47 is a top view of the brush roll of FIG. 46;

FIG. 48 is a perspective view of a brush roll in accordance with another embodiment, with a plurality of individual internal hair blocking members having rounded outer ends positioned between rows of bristle tufts;

FIG. 49 is a top view of the brush roll of FIG. 48;

FIG. 50 is a perspective view of a brush roll in accordance with another embodiment, with a plurality of individual internal hair blocking members having T-shaped outer ends positioned between rows of bristle tufts;

FIG. 51 is a top view of the brush roll of FIG. 50;

FIG. 52 is a perspective view of a brush roll in accordance with another embodiment, with a continuous strip defining internal hair blocking members positioned between rows of bristle tufts, and a heating element positioned on an outer surface of the brush core;

FIG. 53 is a top view of the brush roll of FIG. 52;

FIG. 54 is a perspective view of a brush roll in accordance with another embodiment, with a heating element spaced from an outer surface of the brush core;

FIG. 55 is a top view of the brush roll of FIG. 54;

FIG. 56 is a perspective view of a brush roll in accordance with another embodiment, with a heating element spaced from an outer surface of the brush core;

FIG. 57 is a top view of the brush roll of FIG. 56;

FIG. 58 is a schematic cross-section view of a cleaning head with a lift off mechanism, in a floor cleaning position;

FIG. 59 is a schematic cross-section view of the cleaning head of FIG. 58, in a raised position;

FIG. 60 is a schematic cross-section view of a cleaning head with a lift off mechanism in accordance with another embodiment, in a floor cleaning position;

FIG. 61 is a schematic cross-section view of the cleaning head of FIG. 60, in a raised position;

FIG. 62 is a schematic cross-section view of a cleaning head with a lift off mechanism in accordance with another embodiment, in a floor cleaning position;

FIG. 63 is a schematic cross-section view of the cleaning head of FIG. 62, in a raised position;

FIG. 64 is a schematic end section view of a brush roll in accordance with another embodiment, with bristles and hard floor cleaning pads;

FIG. 65 is a perspective view of a brush roll in accordance with another embodiment, with hair blocking members, bristle tufts, and hard floor cleaning pads;

FIG. 66 is a top view of the brush roll of FIG. 65;

FIG. 67 is a perspective view of a brush roll in accordance with another embodiment, with hair blocking members, bristle tufts, and hard floor cleaning pads;

FIG. 68 is a top view of the brush roll of FIG. 67;

FIG. 69 is a perspective view of a brush roll in accordance with another embodiment, with hair blocking members, bristle tufts, and hard floor cleaning pads;

FIG. 70 is a top view of the brush roll of FIG. 69;

FIG. 71 is a perspective view of a brush roll in accordance with another embodiment, with hair blocking members, bristle tufts, and hard floor cleaning pads;

FIG. 72 is a top view of the brush roll of FIG. 71;
 FIG. 73 is a perspective view of a brush roll in accordance with another embodiment, with hair blocking members, bristle tufts, and hard floor cleaning pads;
 FIG. 74 is a top view of the brush roll of FIG. 73;
 FIG. 75 is a top view of a brush roll in accordance with another embodiment, with segmented hair blocking members, bristle tufts, and hard floor cleaning pads;
 FIG. 76 is a perspective view of a brush roll in accordance with another embodiment, with hair blocking members, bristle tufts, and hard floor cleaning pads;
 FIG. 77 is a top view of the brush roll of FIG. 76;
 FIG. 78 is a perspective view of a brush roll in accordance with another embodiment, with hair blocking members and hard floor cleaning pads;
 FIGS. 79 to 83 are a series of schematic end views showing a brush roll in accordance with another embodiment being rotated along a floor surface;
 FIGS. 84 to 88 are a series of schematic end views showing a brush roll in accordance with another embodiment being rotated along a floor surface;
 FIGS. 89 to 92 are a series of schematic end views showing a brush roll in accordance with another embodiment being rotated along a floor surface;
 FIGS. 93 to 96 are a series of schematic end views showing a brush roll in accordance with another embodiment being rotated along a floor surface;
 FIGS. 97 to 101 are a series of schematic end views showing a brush roll in accordance with another embodiment being rotated along a floor surface;
 FIG. 102 is a perspective view of a brush roll in accordance with another embodiment, with agitating members and bristle tufts;
 FIG. 103 is a top view of the brush roll of FIG. 102;
 FIG. 104 is a perspective view of a brush roll in accordance with another embodiment, with agitating members and bristle tufts;
 FIG. 105 is a top view of the brush roll of FIG. 104;
 FIG. 106 is a perspective view of a brush roll in accordance with another embodiment, with agitating members and bristle tufts;
 FIG. 107 is a top view of the brush roll of FIG. 106;
 FIG. 108 is a perspective view of a brush roll in accordance with another embodiment, with agitating members;
 FIG. 109 is a top view of the brush roll of FIG. 108;
 FIG. 110 is a perspective view of a brush roll in accordance with another embodiment, with agitating members and hair blocking members;
 FIG. 111 is a top view of the brush roll of FIG. 110;
 FIG. 112 is a perspective view of a brush roll in accordance with another embodiment, with agitating members, hair blocking members, and hard floor cleaning pads;
 FIG. 113 is a top view of the brush roll of FIG. 110;
 FIG. 114 is a perspective view of a brush roll in accordance with another embodiment, with hair blocking members and bristle tufts;
 FIG. 115 is a top view of the brush roll of FIG. 114;
 FIG. 116 is a perspective view of a brush roll in accordance with another embodiment, with hair blocking members and bristle tufts; and
 FIG. 117 is a top view of the brush roll of FIG. 116.
 The drawings included herewith are for illustrating various examples of articles, methods, and apparatuses of the teaching of the present specification and are not intended to limit the scope of what is taught in any way.

DESCRIPTION OF EXAMPLE EMBODIMENTS

Various apparatuses, methods and compositions are described below to provide an example of an embodiment of

each claimed invention. No embodiment described below limits any claimed invention and any claimed invention may cover apparatuses and methods that differ from those described below. The claimed inventions are not limited to apparatuses, methods and compositions having all of the features of any one apparatus, method or composition described below or to features common to multiple or all of the apparatuses, methods or compositions described below. It is possible that an apparatus, method or composition described below is not an embodiment of any claimed invention. Any invention disclosed in an apparatus, method or composition described below that is not claimed in this document may be the subject matter of another protective instrument, for example, a continuing patent application, and the applicant(s), inventor(s) and/or owner(s) do not intend to abandon, disclaim, or dedicate to the public any such invention by its disclosure in this document.

The terms “an embodiment,” “embodiment,” “embodiments,” “the embodiment,” “the embodiments,” “one or more embodiments,” “some embodiments,” and “one embodiment” mean “one or more (but not all) embodiments of the present invention(s),” unless expressly specified otherwise.

The terms “including,” “comprising” and variations thereof mean “including but not limited to,” unless expressly specified otherwise. A listing of items does not imply that any or all of the items are mutually exclusive, unless expressly specified otherwise. The terms “a,” “an” and “the” mean “one or more,” unless expressly specified otherwise.

As used herein and in the claims, two or more parts are said to be “coupled”, “connected”, “attached”, or “fastened” where the parts are joined or operate together either directly or indirectly (i.e., through one or more intermediate parts), so long as a link occurs. As used herein and in the claims, two or more parts are said to be “directly coupled”, “directly connected”, “directly attached”, or “directly fastened” where the parts are connected in physical contact with each other. None of the terms “coupled”, “connected”, “attached”, and “fastened” distinguish the manner in which two or more parts are joined together.

Furthermore, it will be appreciated that for simplicity and clarity of illustration, where considered appropriate, reference numerals may be repeated among the figures to indicate corresponding or analogous elements. In addition, numerous specific details are set forth in order to provide a thorough understanding of the example embodiments described herein. However, it will be understood by those of ordinary skill in the art that the example embodiments described herein may be practiced without these specific details. In other instances, well-known methods, procedures, and components have not been described in detail so as not to obscure the example embodiments described herein. Also, the description is not to be considered as limiting the scope of the example embodiments described herein.

General Description of a Surface Cleaning Apparatus
 Referring to FIGS. 1 and 2, an exemplary embodiment of a surface cleaning apparatus is shown generally as 100. The following is a general discussion of this embodiment which provides a basis for understanding several of the features which are discussed herein. As discussed subsequently, each of the features may be used individually or in any particular combination or sub-combination in this or in other embodiments disclosed herein.

In the embodiment illustrated in FIG. 1, the surface cleaning apparatus 100 includes a hand-held vacuum cleaner 110, which is commonly referred to as a “hand vacuum cleaner” or a “handvac”, a surface cleaning head 120, and an

17

elongate wand **130**. In this configuration, the surface cleaning apparatus may be characterized as a stickvac cleaning apparatus (e.g. a stickvac), and may be used to clean a floor or other surface in a manner analogous to a conventional upright-style vacuum cleaner. Optionally, surface cleaning apparatus **100** could be any other surface cleaning apparatus such as an upright vacuum cleaner, a canister vacuum cleaner, a wet-dry vacuum cleaner, an extractor and the like. The surface cleaning apparatus may be of any configuration and may use any air treatment or filtration member or members.

As exemplified in FIG. **1**, the surface cleaning apparatus **100** may comprise a main body **140** having housing **142** and a handle **144**, at least one air treatment member **150**, a dirty air inlet **152**, a clean air outlet **154**, and an air flow path extending between the inlet **152** and outlet **154**. A suction motor (not shown) is provided to generate vacuum suction through the air flow path. The suction motor may be upstream or downstream from the air treatment member.

Power can be supplied to the surface cleaning apparatus **100** by an optional electrical cord **190** that can be connected to a standard wall electrical outlet. Alternatively, or additionally, the power source for the surface cleaning apparatus can be one or more onboard energy storage members, including, for example, one or more batteries.

The at least one at least one air treatment member **150** is configured to treat the air in a desired manner, including, for example, removing dirt particles and other debris from the air flow, and may be any suitable member that can treat the air. Optionally, the air treatment member **150** may include at least one cyclonic cleaning stage, and may in some instances include two or more cyclonic cleaning stages arranged in series with each other. Alternatively, the air treatment member need not include a cyclonic cleaning stage, and can incorporate a bag, a porous physical filter media (such as foam or felt) or other air treating means.

The surface cleaning head **120** may be of any suitable design, and may include a variety of features, such as height adjustment mechanisms, lights, wheels, glides and the like. In the illustrated example, the surface cleaning head includes a body **121**, a pair of rear wheels **123** connected to the body to rollingly support the surface cleaning head **120** above a surface to be cleaned, and a cleaning head dirty air inlet **122** in the downward facing lower body surface. The surface cleaning head **120** also includes a support member **125** that is pivotally connected to the body **121**. The lower end **132** of the wand **130** can be connected to the support member **125**, whereby the wand is movable relative to the surface cleaning head. In the illustrated example, the support member **125** is provided in the form of an upflow duct that is in fluid communication with the cleaning head dirty air inlet **122**. The lower end **132** of the wand **130** is configured to receive the upflow duct **125** (or optionally vice versa) and to fluidly connect the surface cleaning head **120** to the hand vacuum **110**.

Surface cleaning head **120** also includes a rotatably mounted brush **1000**, which may alternatively referred to as a brush **1000** or as a brush roll **1000**. Brush **1000** may be rotated using a powered brush motor (not shown) provided in the cleaning head, an air driven turbine (e.g. a turbo brush), or any other suitable means. When brush **1000** is rotating it may help mechanically dislodge dirt, hair, and other debris from a surface being cleaned (e.g. a floor surface). When the dirt, hair, and debris have been mechanically loosened in this manner, they may be sucked up into the dirty air inlet of the surface cleaning head using rela-

18

tively less suction power than would be required in the absence of the mechanical agitation.

The flowing description of different features of a rotatably mounted brush **1000** which may be associated with the dirty air inlet of any surface cleaning apparatus. These features may be used by themselves in any rotatably mounted brush **1000**, or in any combination or sub-combination with any other feature or features described herein.

Brush Roll with Bristles and Leading and Trailing Blocking Members

The flowing is a description of different features of a rotatable brush roll that has bristles with leading and trailing blocking members. These features may be used by themselves in any brush roll or in any combination or sub-combination with any other feature or features described herein. For example, any of the features of the bristles with leading and trailing blocking members described herein may be used with any one or more of the sheath-encased bristles, brush roll heating element, bristles with internal blocking members, hard floor cleaning pads, flexible columns, and other features described herein.

Referring to FIGS. **3** to **10**, there is illustrated a rotatable brush roll **1000** for mechanically agitating a surface being cleaned. Brush roll **1000** may be associated with (e.g. positioned proximate) the cleaning head dirty air inlet **122** of surface cleaning apparatus **100** or with a dirty air inlet of any other surface cleaning apparatus as is known in the art. It will be appreciated that the brush roll may be of any construction and shape known in the surface cleaning arts, and may be mounted using any bearing or mounting means known in the surface cleaning arts.

As exemplified in FIG. **3**, brush roll **1000** includes a generally cylindrical main body **1001** having a central longitudinal axis of rotation **1005**, a first end or side **1002**, a second end or side **1004**, and a radial outer surface **1010**. Brush roll **1000** may be configured to be normally rotated in a first rotational direction **1012** during use (i.e. during a surface cleaning operation).

Also illustrated are two exemplary optional coupling members **1052** and **1054** provided at the first end **1002** and the second end **1004**, respectively. Coupling members **1052**, **1054** may be used to rotatably mount or secure brush roll **1000** within a surface cleaning head, e.g. surface cleaning head **120**, such that it can be selectively rotated about its axis of rotation **1005**. It will be appreciated that coupling members **1052**, **1054** may have any suitable arrangement and/or configuration. For example, while coupling members **1052**, **1054** are shown as having the same configuration as each other, this may not be the case in alternative embodiments. For example, coupling member **1052** may have gearing or may be otherwise configured to receive rotational power from a brush roll motor or other drive mechanism, while coupling member **1054** may be configured to provide a passive rotational coupling between brush roll **1000** and surface cleaning head **120**.

In the example illustrated in FIG. **3**, a plurality of bristles **1101** extend generally radially outwardly from the outer surface **1010** of brush roll **1000**. As exemplified, bristles **1101** may be arranged in groups or 'tufts' of bristles **1100**. In alternative embodiments, bristles **1101** may be provided in a substantially continuous row extending from the first end **1002** to the second end **1004** of the brush roll. Bristles **1101** in a substantially continuous row or in a tuft that would contact a floor surface ahead of other bristles **1101** in that same row or tuft when the brush roll **1000** is rotated in the first rotational direction **1012** may be characterized as a forward rotational side **1112** of the bristles in that bristle

row/tuft **1100**, and bristles on the opposite side with respect to the direction of rotation of that row/tuft may be characterized as a rearward rotational side **1114** of the bristles in that bristle row/tuft **1100** (as shown in e.g. FIG. 4).

Bristles **1101** may be formed from any suitable material known in the art, such as nylon, propylene and the like.

The bristle tufts **1100** in the illustrated example are themselves arranged in two bristle rows **1103**, with each bristle row **1103** extending in a generally helical formation from the first end **1002** to the second end **1004** of the brush roll **1000**. It will be appreciated that in alternative embodiments a single row, or three or more rows, of bristles may be provided. It will also be appreciated that bristle rows **1103** may be arranged in a formation other than a helical pattern, such as a straight row extending linearly from the first end **1002** to the second end **1004**, a double helical pattern (e.g. 'wrapping' around the circumference of the brush roll two or more times between the first end **1002** and the second end **1004**), a chevron or V-shaped pattern, or in any other suitable formation.

Also shown in the example illustrated in FIG. 3 are a number of hair blocking members **1200** that extend generally radially outwardly from the outer surface **1010** of brush roll **1000**. In the illustrated example, a leading hair blocking member **1200a** is provided adjacent a forward rotational side of each bristle row **1103**, and a trailing hair blocking member **1200b** is provided adjacent a rearward rotational side of each bristle row **1103**. It will be appreciated that hair blocking members **1200a**, **1200b** need not extend exactly radially outwardly but may extend at an angle to the radial direction (e.g., 5, 10, 15, or 20 degrees from the radial direction) and may be referred to as extending radially.

Hair blocking members **1200** are preferably formed from a resiliently flexible material, such as an elastomeric material such as natural or synthetic rubber, silicon, and the like or it may be made from a non-resilient material (e.g., nylon) which is sufficiently thin to bend or is constructed so as to enable the member to bend.

In the example illustrated in FIG. 3, each hair blocking member **1200** extends continuously from the first end **1002** to the second end **1004** of the brush roll **1000**. Alternatively, each hair blocking member **1200** may consist of a plurality of segments, with each segment spanning a portion of the distance from the first end **1002** to the second end **1004**. In some embodiments, the ends of adjacent segments may abut each other, such that the segments form a substantially continuous hair blocking member **1200**. Alternatively, the ends of adjacent segments may be spaced from each other, providing an axial gap between adjacent segments.

Turning to FIG. 4, bristles **1100** have a height or length, which may be referred to as a radial height **1125** from the outer surface **1010** of brush roll **1000** to the radial outer ends **1110** of the bristles. Also, each hair blocking member **1200** has a height or length, which may be referred to as a radial height **1225**, from the outer surface **1010** of brush roll **1000** to the radial outer end **1210** of the blocking member. In the example illustrated in FIG. 4, each leading hair blocking member **1200a** has a length **1225a**, and each trailing hair blocking member **1200b** has a length **1225b**.

An advantage of providing leading and trailing hair blocking members **1200a**, **1200b** ahead of and behind bristles **1100** is that the blocking members may inhibit or prevent hair, string, or other strand-like material from becoming embedded in the bristles **1100**. For example, the outer ends **1210** of the hair blocking members **1200** may define a plane **1250** that extends adjacent to or through the outer ends of the bristles **1100**. In this way, if a hair or other

piece of strand-like debris contacts the ends **1210a**, **1210b** of both the leading and trailing hair blocking members, the hair may extend and remain taut between the hair blocking members, and thereby be inhibited or prevented from becoming embedded in a bristle tuft and/or bristle row, and/or from migrating between the bristles **1101** radially inwardly towards the outer surface **1010** of the brush roll **1000**.

FIG. 5 illustrates a schematic example of how a plurality of bristles **1101** and hair blocking members **1200a**, **1200b** may be secured to a brush roll **1000**. In the illustrated example, a channel or seat **1030** is provided in the main body **1001** of the brush roll **1000**. A strip or segment of material positioned in the seat **1030** forms the hair blocking members **1200a**, **1200b**, a plurality of bristle segments positioned between the hair blocking members **1200a**, **1200b** form the bristles **1101**, and a wire **1035** is used to secure the bristles **1101** and the hair blocking members **1200a**, **1200b** to the seat **1030**. It will be appreciated that any other suitable means of securement may be used, such as adhesives and/or other mechanical securement means.

Notably, in the example illustrated in FIG. 5, the leading hair blocking member **1200a** is in contact with the forward rotational side **1112** of bristles **1100**, and the trailing hair blocking member **1200b** is in contact with the rearward rotational side **1114** of bristles **1100**. Alternatively, the bristles **1100** may be secured to the brush roll **1000** in a position spaced from—i.e. not in contact with—leading hair blocking member **1200a** and/or trailing hair blocking member **1200b**.

FIGS. 6-10 illustrate an example of how the leading hair blocking member **1200a** and/or trailing hair blocking member **1200b** may not only inhibit or prevent hair, string, or other strand-like material from becoming embedded in the bristles **1100**, but may also assist in urging hair, string, or other strand-like material embedded in bristles **1100** to migrate outwardly towards the ends **1110** of the bristles, and/or to assist in partially or completely dislodging hair or other strand-like material from the bristles.

In FIG. 6, brush roll **1000** is at a position where the bristles **1100** and the leading and trailing hair blocking members **1200a**, **1200b** are approaching a floor surface **10** being cleaned.

In FIG. 7, the brush roll **1000** has been rotated so that the bristles **1100** are in contact with the floor surface **10**. In the exemplified embodiment, the leading hair blocking member has a radial length such that it does not contact the floor. It will be appreciated that the leading hair blocking member may have a radial length such that it contacts the floor. In such a case, the leading hair blocking member may be positioned sufficiently forward of the bristles such that the bristles may flex when the bristles contact the floor being cleaned without the leading hair blocking member blocking the bristles from contacting the floor or further compressing the bristles when they contact the floor.

In FIG. 8, the brush roll **1000** has been further rotated so that the bristles **1100** have flexed rearwardly and are sweeping over the floor surface **10**, and the trailing hair blocking member **1200b** is just in contact with the floor surface **10**.

In FIG. 9, the brush roll **1000** has been further rotated so that the bristles **1100** continue to sweep over the floor surface **10**. The trailing hair blocking member **1200b** is fully in contact with the floor surface **10**, and has flexibly deformed rearwardly such that its outer surface **1210b** is radially closer to the axis **1005** of brush roll **1000**. In this position, the plane **1250** defined by the outer ends **1210a**, **1210b** of the hair blocking members **1200a**, **1200b** is

approximately co-incident with the floor surface **10**. Also, in this position the ends **1110** of the bristles **1100** are also approximately co-incident with the floor surface **10**.

In this way, a hair or other piece of strand-like debris that was embedded in the bristles **1100** prior to the bristles coming into contact with the floor surface **10** (e.g. in the position shown in FIG. 6) and was also in contact with the ends **1210a**, **1210b** of both the leading and trailing hair blocking members may be pulled taut between the ends **1210a**, **1210b** of the hair blocking members—i.e. towards the plane **1250**. Since the ends **1110** of the bristles **1100** are also located approximately at the plane **1250**, the hair or other piece of strand-like debris may be drawn outwardly towards the ends **1110** of the bristles **1100**.

Additionally, or alternatively, when plane **1250** is approximately co-incident with the floor surface **10** (e.g. as shown in FIG. 9), the outer ends **1210a**, **1210b** of one and/or both of the hair blocking members **1200a**, **1200b** may inhibit or prevent hair or other strand-like debris present on the floor surface **10** from becoming ensnared or otherwise embedded in bristles **1100**.

In FIG. 10, the brush roll **1000** has been further rotated so that the bristles **1100** come out of contact with the floor surface **10**. The trailing hair blocking member **1200b** remains in contact with the floor surface **10**, and remains flexibly deformed. In this position, if a hair or other piece of strand-like debris that is embedded in the bristles **1100** is also in contact with the end **1210b** of the trailing hair blocking member **1200b**, the hair may be at least temporarily ‘pinched’ or held between the floor surface **10** and the end **1210b**. In this position, as the bristles **1100** straighten once they are no longer in contact with the floor surface **10** (e.g. between the position shown in FIG. 9 and the opposition shown in FIG. 10), hair or other piece of strand-like debris held or ‘pinched’ by the trailing hair blocking member **1200b** may be partially or completely dislodged from the bristles **1100**.

It will be appreciated that if an elongate member such as hair has been wrapped around the brush roll, then when the leading or trailing hair blocking members deform as they contact the floor, the distance between the radial outer ends of the leading and trailing hair blocking members may be increased and this may result in the force applied to the hair exceeding the tensile strength of the hair and the hair breaking.

The hair blocking member is preferably spaced forwardly or rearwardly (in the direction of rotation of the brush roll) from the bristles **1100**, so that the hair blocking member can flex without being limited by engagement with the bristles **1100**. For example, a hair blocking member may be positioned spaced 1-12, 1-8, 1-4 or 1-2 mm forward from the forward rotational side of bristles **1100** and a second hair blocking member may be positioned spaced 1-12, 1-8, 1-4 or 1-2 mm rearward from the rearward rotational side of the bristles **1100**. Alternately, only one of a forward and rearwardly positioned hair blocking member may be provided.

A hair blocking member may be shorter or longer than the height of bristles **1100**. For example, the outer end of a forward and/or rearwardly positioned hair blocking member may be positioned spaced ± 1 , 2, 3 mm radially inwardly or radially outwardly of the radial outer end of the bristles **1100** pad. Optionally, a front or forwardly positioned hair blocking member may be shorter than the rear or rearwardly positioned hair blocking member.

Preferably, as in the example illustrated in FIGS. 6-10, the length **1225a** of the leading hair blocking member **1200a** is less than the length **1125** of the bristles **1100**. An advantage

of providing a shorter leading hair blocking member **1200a** is that this blocking member may not come into contact with a floor surface **10**, and may therefore not be bent back towards the bristles **1100**, which may maintain plane **1250** in a position where it extends through the ends **1110** of the bristles. In alternative embodiments, the length **1225a** of the leading hair blocking member **1200a** may be approximately equal to the length **1125** of the bristles **1100**.

Preferably, the leading and trailing hair blocking members **1200a**, **1200b** are less flexible than the bristles **1101**. An advantage of providing less-flexible hair blocking members is that the outer ends **1210a**, **1210b** may be less easily deformed towards the outer surface **1010** of brush roll **1000**, thereby making it easier for the ends **1110** of the bristles **1100** to be flexed or deformed towards or preferably radially inwardly of the plane **1250**.

Optionally, the trailing hair blocking member **1200b** may be less flexible than the leading hair blocking member **1200a**. An advantage of this design is that a ‘pinching’ effect between the outer end **1210b** and the floor surface **10** may be stronger, which may improve the ability of the trailing hair blocking member **1200b** to partially or completely dislodge hair or other strand-like debris from the bristles **1100** (e.g. as discussed above with reference to FIG. 10).

Sheath-Encased Bristles

The following is a description of different features of bristles partially encased in a sheath or sleeve that may be provided on a rotatably mounted brush **1000**. These features may be used by themselves in any brush roll or in any combination or sub-combination with any other feature or features described herein. For example, any of the features of the sheath-encased bristles described herein may be used with any one or more of the bristles with leading and trailing blocking members, brush roll heating element, bristles with internal blocking members, hard floor cleaning pads, flexible columns, and other features described herein.

Referring to FIGS. 11 to 16, a rotatable brush roll is provided with a plurality of groups or ‘tufts’ of bristles. Each bristle tuft may be encased in a sheath. The sheaths may inhibit or prevent hair or other strand-like material from migrating radially inwardly between sheathed bristles towards the outer surface of the brush roll.

In the example illustrated in FIG. 11, a plurality of bristles **1101** arranged in groups or ‘tufts’ of bristles **1100** extend generally radially outwardly from the outer surface **1010** of brush roll **1000**. Each bristle tuft **1100** is encased in a sheath **1300**. Each sheath **1300** has a height or length **1325** from the outer surface **1010** of brush roll **1000** to a radial outer end **1310** of the sheath.

An advantage of providing some or all of the bristle tufts **1100** with sheaths **1300** is that a piece of hair, string, or other strand-like material that has become ensnared between individual bristles **1101** in the bristle tuft **1100** may be inhibited or prevented by the radial outer end **1310** of the bristle sheath **1300** from migrating inwardly between the bristles **1101** and towards the outer surface **1010** of the brush roll **1000**, and may thereby be prevented from becoming deeply embedded between the bristles **1101**.

FIG. 12 illustrates a schematic example of how a plurality of bristles **1101** and a sheath **1300** may be secured to a brush roll **1000**. In the illustrated example, a channel or seat **1030** is provided in the main body **1001** of the brush roll **1000**. A plurality of bristle segments are positioned in the seat to form the bristle tuft **1100**, and a wire **1035** is used to secure the bristles **1101** and to the seat **1030**. The sheath **1300** is positioned around the bristles **1101**, and is secured to the seat **1030** and/or to a lower portion (i.e. radially inward with

respect to brush roll **1000**) of the bristle tuft **1100**, e.g. using an adhesive. It will be appreciated that any other suitable means of securement may be used, such as adhesives and/or other mechanical securement means.

Preferably, the sheath may have a cross-sectional shape that conforms generally to an outer perimeter of the bristle tuft **1100** that the sheath encases. For example, as illustrated in FIG. **13**, the sheath may be generally circular in cross-section, when viewed in a direction transverse to a radial length of a circular tuft of encased bristles **1101**.

The length **1325** of sheath **1300** relative to the length **1125** of the bristle tuft that the sheath encases may be varied, e.g. to provide a desired flexibility of the sheathed tuft, and/or to provide a desired restriction on the depth of inward migration of hair or other strand-like material before contacting the sheath. For example, in the example illustrated in FIG. **14**, the length **1325** of the sheath **1300** is about 50% of the length **1125** of the bristle tuft **1100**. In the example illustrated in FIG. **15**, the length **1325** of the sheath **1300** is about 75% of the length **1125** of the bristle tuft **1100**. In the example illustrated in FIG. **16**, the length **1325** of the sheath **1300** is about 90% of the length **1125** of the bristle tuft **1100**.

Preferably, the sheaths **1300** are made from a flexible material, such as an elastomeric material. For example, sheaths **1300** may be formed from a resiliently flexible material, such as an elastomeric material such as natural or synthetic rubber, silicon, and the like or it may be made from a non-resilient material (e.g., nylon) which is sufficiently thin to bend or is constructed so as to enable the member to bend.

An advantage of providing flexible sheaths **1300** is that the sheath may have a limited or negligible impact on the ability of the sheathed bristles **1100** to bend or flex, e.g. when they contact a floor surface, as compared with unsheathed bristles. By providing a flexible sheath **1300**, the entire length **1125** of the bristles **1100** may be able to flex, even though only about 50%, 25%, or about 10% of the length of the bristles **1110** may protrude radially outwardly from the outer end **1310** of the sheath **1300**.

Bristles with Internal Hair Blocking Member

The flowing is a description of different features of bristles with internal hair blocking members that may be provided on a rotatably mounted brush **1000**. These features may be used by themselves in any brush roll or in any combination or sub-combination with any other feature or features described herein. For example, any of the features of the internal hair blocking members described herein may be used with any one or more of the bristles with leading and trailing blocking members, sheath-encased bristles, heating element, hard floor cleaning pads, flexible columns, and other features described herein.

Referring to FIGS. **17** to **51**, a rotatable brush roll is provided with a plurality of groups or 'tufts' of bristles. Each bristle tuft may be provided with an internal blocking member within or adjacent to that tuft. The internal blocking member may inhibit or prevent hair or other strand-like material from migrating radially inwardly between the bristles of an adjacent tuft towards the outer surface of the brush roll. It will be appreciated that an internal hair blocking member may be used if the bristles are not provided in tufts, e.g. if they are arranged as individual bristles in a row along the length of a brush roll.

Bristle Tufts with Embedded Internal Hair Blocking Members

In the examples illustrated in FIGS. **17** to **39**, an internal blocking member is provided within a bristle tuft, so that when the brush roll is rotated, a portion of the bristles in the

tuft precede the hair blocking member, and a portion of the bristles in the tuft follow the hair blocking member. The internal blocking member may inhibit or prevent hair or other strand-like material from migrating radially inwardly between the bristles of that tuft towards the outer surface of the brush roll.

An advantage of providing some or all of the bristle tufts **1100** with internal blocking members **1500** is that pieces of hair, string, or other strand-like material may be inhibited or prevented from becoming ensnared between individual bristles **1101** in the bristle tuft **1100** by the radial outer end **1510** of the internal blocking member **1500**. Additionally, or alternatively, a piece of hair, string, or other strand-like material that has become ensnared between individual bristles **1101** in the bristle tuft **1100** may be inhibited or prevented by the radial outer end **1510** of the internal hair blocking member **1500** from migrating inwardly between the bristles **1101** towards the outer surface **1010** of the brush roll **1000**.

Each internal blocking member **1500** has a height or length **1525** from the outer surface **1010** of brush roll **1000** to the radial outer end **1510** of the blocking member. The length **1525** may be approximately equal to the length **1125** of the bristle tuft **1100** in which the blocking member is embedded. Optionally, the length **1525** may be less than the length **1125**, e.g. to inhibit or prevent the end **1510** of the hair blocking member **1500** from contacting a floor surface **10** during use. For example, the length **1525** the hair blocking member **1500** may be between 80% and 95% of the length **1125** of the bristle tuft **1100**.

The hair blocking members are preferably oriented such that the longer length of the radial outer end **1510** is oriented generally transverse to the direction of travel of the floor cleaning head (e.g., the longer length may define a leading edge of the hair blocking member). Accordingly, the hair blocking member may be oriented to extend generally axially (i.e., in the same general direction as the brush axis).

The radial outer end **1510** of the internal blocking member **1500** preferably has a width **1560** (which may extend in the axial direction or in the direction of the row of bristles) that may be at least the same as, and optionally greater than, a width **1160** of the bristle tuft **1100**.

As exemplified in FIGS. **17** and **18**, an internal blocking member **1500** may comprise a pair of blocking members **1500a**, **1500b**, which may abut along their longer faces. Alternatively, one internal blocking member **1500** or three or more internal blocking members may be provided.

Internal hair blocking members **1500** are preferably formed from a resiliently flexible material, such as an elastomeric material such as natural or synthetic rubber, silicon, and the like or it may be made from a non-resilient material (e.g., nylon) which is sufficiently thin to bend or is constructed so as to enable the member to bend.

Internal hair blocking members **1500** may be shorter or longer than the height of bristles **1100**. For example, the outer end of an internal hair blocking members **1500** may be positioned spaced $\pm 1, 2, 3$ mm radially inwardly or radially outwardly of the radial outer end of the bristles **1100** pad.

Preferably, the internal hair blocking members **1500** are less flexible than the bristles **1101**. This is particularly preferred if the internal hair blocking member is radially shorter than the bristles. An advantage of providing less-flexible hair blocking members is that the outer end **1510** may be less easily deformed towards the outer surface **1010** of brush roll **1000**. In this arrangement, the ends **1110** of the bristles **1100** may be flexed or deformed towards or preferably radially inwardly of the outer end **1510** of the blocking

member. In this way, when the bristles and the blocking member are flexed, the outer end **1510** of a more-rigid blocking member, by deforming less, may effectively ‘push’ hair or other strand-like material that has become ensnared between individual bristles **1101** in the bristle tuft **1100** outwardly towards the ends **1110** of the bristles **1100**.

FIG. **19** illustrates a schematic example of how a plurality of bristles **1101** and an internal blocking member **1500** may be secured to a brush roll **1000**. In the illustrated example, a channel or seat **1030** is provided in the main body **1001** of the brush roll **1000**. A plurality of bristle segments are positioned in the seat to form the bristle tuft **1100**, and a wire **1035** is used to secure the bristles **1101** and to the seat **1030**. The internal blocking member **1500** is positioned within the bristles **1101**, and is also secured to the seat **1030** by the wire **1035**. It will be appreciated that any other suitable means of securement may be used, such as adhesives and/or other mechanical securement means.

In the example illustrated in FIGS. **17** and **18**, the internal blocking member **1500** has a width **1560** that is approximately constant along the entire length **1525** of the blocking member. Alternatively, an internal blocking member **1500** may have a support column **1501** extending away from the radial outer surface **1010** of the brush roll **1000** towards the outer end **1510** of the blocking member, and the outer end **1510** may be wider than the support column, i.e. as wide as, and optionally wider than a width of the bristle tuft in which the support column is embedded.

For example, as illustrated in FIG. **20**, an internal blocking member **1500** may have a generally T-shaped profile, in a front elevational view, with a relatively narrow support column **1501**, and a cross member **1503** that has a width **1560** that is about the same as a width **1160** of the bristle tuft **1100**. It will be appreciated that the cross member may have a width that is wider than the column but not as wide as, about as wide as, or wider than the bristle tuft, so as to have a generally T-shaped profile.

In the examples illustrated in FIGS. **17**, **18**, and **20**, the bristle tufts **1100** are each generally circular in cross-section, when viewed in a direction transverse to a radial length of a the bristles **1101** of that tuft **1100**. Alternatively, bristle tufts **1100** may have a rectangular or square cross-sectional shape or other shape.

For example, in the example illustrated in FIGS. **21** and **22**, an internal blocking member **1500** having a generally T-shaped profile is embedded within a rectangular bristle tuft **1100**. It will be appreciated that the internal blocking member may have any other shape disclosed herein.

In the example illustrated in FIGS. **23** and **24**, an internal blocking member **1500** having a generally T-shaped profile is embedded within a rectangular bristle tuft **1100** in which a single row of bristles **1101** is provided on the forward rotational side **1112** of the tuft, and a single row of bristles is provided on the rearward rotational side **1114** of the tuft.

As previously discussed, the radial outer end **1510** of an internal blocking member **1500** preferably has a width that is at least the same as, and optionally greater than, a width of the bristle tuft in which it is positioned. Optionally, the radial outer end **1510** may also have a portion that extends from the forward rotational side **1112** of the bristles in a bristle row/tuft **1100** to the rearward rotational side **1114** of the bristles in that bristle row/tuft **1100** (i.e., in the direction of rotation of the brush roll).

For example, in the example illustrated in FIGS. **25** and **26**, an internal blocking member **1500** has a generally T-shaped end face when viewed in a top plan view, with a first cross member **1503** that has a width **1560** that is about

the same as a width **1160** of the bristle tuft **1100**, and a second cross member **1507** that has a length **1562** that may be about the same as a depth **1162** of the bristle tuft **1100**.

An advantage of this design is that by having the radial outer end **1510** extend across the width and the depth of the bristle tuft **1100**, the likelihood of hair or other strand-like material contacting the outer end **1510** of the internal blocking member **1500** and thereby be inhibited or prevented from migrating between the bristles **1101** may be increased.

In the example illustrated in FIGS. **27** and **28**, an internal blocking member **1500** having a generally T-shaped end face is embedded within a rectangular bristle tuft **1100**. In this example, a single row of bristles **1101** is provided on the forward rotational side **1112** of the tuft, and a single row of bristles is provided on the rearward rotational side **1114** of the tuft.

As stated previously, in some embodiments, one or more bristle tufts **1100** may have both an internal blocking member **1500** and a sheath **1300**. An advantage of this design is that the internal blocking member may inhibit or prevent hair or other strand-like material from becoming embedded within the bristles **1101** of the tuft **1100**, while the sheath **1300** may inhibit or prevent any hair that does manage to become embedded within the bristles from migrating inwardly between the bristles **1101** and towards the outer surface **1010** of the brush roll **1000**.

In the example illustrated in FIG. **29**, bristle tufts **1100** having an embedded internal blocking member **1500** that includes a pair of blocking members **1500a**, **1500b**—like those illustrated in FIGS. **17** and **18**—are provided with sheaths **1300**.

In the example illustrated in FIG. **30**, bristle tufts **1100** having an embedded internal blocking member **1500** having a generally T-shaped profile—like those illustrated in FIG. **20**—are provided with sheaths **1300**.

In the example illustrated in FIGS. **31** and **32**, rectangular bristle tufts **1100** having an embedded internal blocking member **1500** that includes a pair of T-shaped blocking members **1500a**, **1500b**—like those illustrated in FIGS. **23** and **24**—are provided with sheaths **1300**.

In the example illustrated in FIGS. **33** and **34**, rectangular bristle tufts **1100** having an embedded internal blocking member **1500** that includes a pair of T-shaped blocking members **1500a**, **1500b**—like those illustrated in FIGS. **21** and **22**—are provided with sheaths **1300**.

In the example illustrated in FIGS. **35** and **36**, rectangular bristle tufts **1100** having an embedded internal blocking member **1500** that includes a pair of T-shaped end face blocking members **1500a**, **1500b**—like those illustrated in FIGS. **27** and **28**—are provided with sheaths **1300**.

FIGS. **37-39** illustrate an example of how a bristle tuft **1100** with an internal hair blocking member **1500** and a sheath **1300** may not only inhibit or prevent hair, string, or other strand-like material from becoming embedded in the bristles **1100**, but may also assist in urging hair, string, or other strand-like material embedded in bristles **1100** to migrate outwardly towards the ends **1110** of the bristles, and/or to assist in partially or completely dislodging hair or other strand-like material from the bristles.

In FIG. **37**, brush roll **1000** is at a position where the forward rotational side **1112** of bristles **1100** is in contact with the floor surface **10**. In FIG. **38**, the brush roll **1000** has been rotated so that the bristles **1100** are sweeping over the floor surface **10**, and the internal hair blocking member **1500** is in contact with the floor surface **10**.

In FIG. 39, the brush roll 1000 has been further rotated so that the bristles 1100 and the internal hair blocking member 1500 continue to sweep over the floor surface 10. The internal hair blocking member 1500 remains in contact with the floor surface 10. In this position, if a hair or other piece of strand-like debris that is embedded in the bristles 1100 is also in contact with the end 1510 of the internal hair blocking member 1500, the hair may be at least temporarily 'pinched' or held between the floor surface 10 and the end 1510. In this position, as the rearward rotational side 1114 of bristles 1100 are deflected by the floor surface 10, a hair or other piece of strand-like debris held or 'pinched' by the internal hair blocking member 1500 may be partially or completely dislodged from the rearward rotational side 1114 of the bristles 1100.

Optionally, the internal hair blocking member 1500 is less flexible than the bristles 1101. This is preferred if the internal hair blocking member 1500 is radially shorter than the bristles 1101. An advantage of providing a less-flexible hair blocking member is that the outer end 1510 may be less easily deformed towards the outer surface 1010 of brush roll 1000, thereby making it easier for the ends 1110 of the bristles 1100 to be flexed or deformed towards or preferably radially inwardly of the outer end 1510.

Hair Blocking Member Positioned Between Bristle Tufts

In the examples illustrated in FIGS. 40 to 51, a hair blocking member is provided proximate a plurality of bristle tufts, with some of the plurality of tufts positioned forward of the blocking member, some of the plurality of tufts positioned rearward of the blocking member. In this arrangement, when the brush roll is rotated, some of the tufts precede the hair blocking member, and some of the tufts follow the hair blocking member. The internal blocking member may inhibit or prevent hair or other strand-like material from migrating radially inwardly between the bristles of tufts proximate the blocking member towards the outer surface of the brush roll.

In the example illustrated in FIGS. 40 and 41, a first or leading row 1103a of bristle tufts 1100 and a second or trailing row 1103b of bristle tufts 1100 each extend axially along the brush roll in a generally helical formation from the first end 1002 to the second end 1004 of the brush roll 1000.

In the illustrated example, an internal hair blocking member 1500 is provided between the bristle rows 1103a, 1103b. In this arrangement, the hair blocking member 1500 is adjacent a rearward rotational side 1114 of the bristles 1100 in leading bristle row 1103a, and adjacent a forward rotational side 1112 of the bristles 1110 in trailing bristle row 1103b. The hair blocking member 1500 may abut the rearward rotational side 1114 of the bristles 1100 in leading bristle row 1103a, and/or may abut the forward rotational side 1112 of the bristles 1110 in trailing bristle row 1103b. The hair blocking member may be spaced from the rearward rotational side 1114 of the bristles 1100 in leading bristle row 1103a, and/or may be spaced from the forward rotational side 1112 of the bristles 1110 in trailing bristle row 1103b by, e.g., in the direction of rotation of the brush roll, 1, 2, 3, or 4 times the width of a tuft of bristles.

The internal blocking member 1500 may have the same radial length as the blocking member exemplified in FIGS. 17-39. Optionally, the internal blocking member may be shorter than the bristles.

The hair blocking member is preferably spaced forwardly or rearwardly (in the direction of rotation of the brush roll) from the bristles 1100, so that the hair blocking member can flex without being limited by engagement with the bristles 1100. For example, a hair blocking member may be posi-

tioned spaced 1-12, 1-8, 1-4 or 1-2 mm forward from the forward rotational side of bristles 1100 and a second hair blocking member may be positioned spaced 1-12, 1-8, 1-4 or 1-2 mm rearward from the rearward rotational side of the bristles 1100. Alternately, only one of a forward and rearwardly positioned hair blocking member may be provided.

In the example illustrated in FIGS. 40 and 41, the internal blocking member 1500 extends continuously from the first end 1002 to the second end 1004 of the brush roll 1000. Thus, the width 1560 of the radial outer end 1510 of the blocking member 1500 is substantially the same as the axial length of the brush roll 1000. Alternatively, the hair blocking member 1500 may consist of a plurality of segments, with each segment spanning a portion of the distance from the first end 1002 to the second end 1004 of the brush roll 1000. In some embodiments, the ends of adjacent segments may abut each other, such that the segments form a substantially continuous hair blocking member 1500. Alternatively, the ends of adjacent segments may be spaced from each other.

In the example illustrated in FIGS. 42 and 43, the radial outer end 1510 of the blocking member 1500 has a cross member 1507 that extends between, and optionally abuts, the forward rotational side 1112 of the bristles 1100 in bristle row 1103a, and the rearward rotational side 1114 of the bristles 1110 in bristle row 1103b (e.g., the blocking member 1500 may have a T-shaped profile in side view when viewed from an end of the brush roll). An advantage of this design is that hair or other strand-like material may be inhibited or prevented from accumulating between the bristle rows 1103a, 1103b. The radial outer extend of cross member 1507 may be recessed radially inwardly from the radially outer end of the bristles.

In the example illustrated in FIGS. 44 and 45, the blocking member 1500 has a proximate portion 1522 (proximate the brush roll core) that extends continuously from the first end 1002 to the second end 1004 of the brush roll 1000, and a plurality of distal segments 1524 (distal to the brush roll core) that extend radially outwardly from the proximate portion 1522. The radial outer ends 1510 of the distal segments 1524 may be longitudinally aligned with the bristle tufts 1100, as perhaps best seen in FIG. 45, so as to be positioned so as to extend through part or all of a tuft of bristles. It will be appreciated that the width of each distal segment 1524 may be the same as the width of an internal blocking member discussed with respect to FIGS. 17-39.

In the example illustrated in FIGS. 46 and 47, a plurality of blocking members 1500 in the form of flexible columns or posts are provided between bristle tufts 1100 in bristle rows 1103a, 1103b. It will be appreciated that the longitudinal positioning and the radial length of posts may be the same as discussed with respect to the distal segments 1524.

In the example illustrated in FIGS. 48 and 49, blocking members 1500 in the form of columns or posts are provided with rounded 'caps' or domes 1580 at their radial outer ends 1510. An advantage of this design is that the spherical shape of the domes 1580 may reduce the contact area between the outer ends 1510 of the blocking members 1500 and a floor surface being cleaned.

In the example illustrated in FIGS. 50 and 51, blocking members 1500 in the form of columns or posts are provided with rectangular cross members 1507 at their radial outer ends 1510. Each cross member 1507 extends between, and optionally abuts, the forward rotational side 1112 of the bristles 1100 in bristle row 1103a, and the rearward rotational side 1114 of the bristles 1110 in bristle row 1103b. An advantage of this design is that hair or other strand-like

material may be inhibited or prevented from accumulating between the bristle tufts between which a blocking member **1500** is positioned.

Brush Roll with Heating Element

The following is a description of different features of a heating element that may be provided on a rotatably mounted brush **1000**. These features may be used by themselves in any brush roll or in any combination or sub-combination with any other feature or features described herein. For example, any of the features of the heating element described herein may be used with any one or more of the bristles with leading and trailing blocking members, sheath-encased bristles, bristles with internal blocking members, hard floor cleaning pads, flexible columns, and other features described herein.

Referring to FIGS. **52** to **63**, a rotatable brush roll is provided with at least one heating element, such as a resistive heating element, exterior to the brush core. The heating element may be activated (i.e. heated) to thermally degrade or break hair, string, or other strand-like material that has become wound about the brush roll.

An advantage of this design is that hair or other strand-like debris may be broken into smaller pieces without requiring the use of e.g. a knife, scissors, or other mechanical means. For example, instead of requiring a user to remove or otherwise access the brush roll and manually cut and/or dislodge the wound debris, a user may simply activate the resistive heating element. This may be considered more convenient and/or less laborious by a user.

In the example illustrated in FIGS. **52** and **53**, two heating elements **1400** are provided on the radial outer surface **1010** of brush roll **1000**. Each heating element **1400** extends in a generally helical formation from the first end **1002** to the second end **1004** of the brush roll **1000**. It will be appreciated that in alternative embodiments a single heating element, or three or more heating elements, may be provided. It will also be appreciated that heating elements **1400** may be arranged in a formation other than a helical pattern, such as a straight row extending linearly from the first end **1002** to the second end **1004**, a double helical pattern (e.g. 'wrapping' around the circumference of the brush roll two or more times between the first end **1002** and the second end **1004**), a chevron or V-shaped pattern, or in any other suitable formation. Optionally, the heating element may be positioned between two rows of bristles and may be arranged in the same pattern as the rows of bristles.

Heating elements **1400** may be resistive heating elements, and may be formed from any suitable resistive heating material known in the art.

In the example illustrated in FIGS. **52** and **53**, each heating element **1400** extends continuously from the first end **1002** to the second end **1004** of the brush roll **1000**. Alternatively, each heating element **1400** may consist of a plurality of segments, with each segment spanning a portion of the distance from the first end **1002** to the second end **1004**. In some embodiments, the ends of adjacent segments may abut each other, such that the segments form a substantially continuous heating element **1400**. Alternatively, the ends of adjacent segments may be spaced from each other, providing an axial gap between adjacent segments.

In the example illustrated in FIGS. **52** and **53**, the heating elements **1400** are provided on the radial outer surface **1010** of brush roll **1000**. Alternatively, one or more heating elements may be spaced radially outwardly from the outer surface **1010**. An advantage of such an arrangement is that the heating element may be positioned closed to the radial

outer ends of any bristles and/or any hair blocking members also provided on the brush roll.

The heating elements may be recessed inwardly from the radial outer ends of the bristles so as not to contact the floor when the brush is in use. Alternatively, one or more heating elements may be provided at the radial outer end of the bristles. As exemplified in FIGS. **54** and **55**, heating elements **1400** may be supported on a plurality of columns or posts **1430**. Supports **1430** may be flexible or rigid, and provide spacing between the outer surface **1010** of brush roll **1000** and the heating elements **1400**. Alternatively, as exemplified in FIGS. **56** and **57**, heating elements **1400** may be supported on a support member **1430**, which may be a blocking member **1500**, that extends from the first end **1002** to the second end **1004** of the brush roll **1000**.

Preferably, the heating element is operable at a temperature above a temperature at which hair burns and below a degradation temperature of the bristles **1101**, sheathes **1300** and/or any hair blocking members, such as members **1200** or **1500** that may be provided on a brush roll **1000**. That is, the bristles, sheathes, and/or blocking members may be unaffected (or at least only negligibly affected) by heat emitted by the heating element. An advantage of this design is that the heating element may be operated for longer periods of time without risk of damaging the bristles, which may lead to greater degradation of wound hair, string, or other strand-like material.

Optionally, in order to prevent floor surfaces from thermal damage, a surface cleaning apparatus may include a 'lift off' mechanism operable to move a cleaning head (e.g. a cleaning head **120**) and/or a rotatably mounted brush roll **1000** between a floor cleaning position in which the rotatably mounted brush is positioned to clean a floor on which the surface cleaning head is positioned, and a raised position in which the rotatably mounted brush is spaced from the floor.

Where such a 'lift off' mechanism is provided, optionally the heating element may be operable only when the lift off mechanism is in the raised position. For example, the lift off mechanism may be automatically moved to the raised position when e.g. an upright section of a surface cleaning apparatus is moved into the upright storage position. In such an arrangement, the surface cleaning apparatus may have a sensor operable to determine when the upright section is in the upright storage position, and the heating element may be actuated when the sensor issues a signal indicative that the upright section is in the upright storage position. In some embodiments, the heating element may be automatically actuated when the lift off mechanism is moved to the raised position.

FIGS. **58** to **63** illustrate examples of lift-off mechanisms that may be used to move any brush roll **1000** with a heating element **1400** to a raised position in which the rotatably mounted brush is spaced from the floor. It will be appreciated that any surface cleaning head lift off mechanism or brush roll lift off mechanism may be used.

In the example illustrated in FIGS. **58** and **59**, a cleaning head **120** has a rotatably mounted brush roll **1000** positioned adjacent a cleaning head dirty air inlet **122**. Cleaning head **120** also include rear wheels **123** and at least one brush height adjustment wheel **124** positioned forward of the rear wheels **123**.

Brush height adjustment wheel **124** is secured to a first end **162** of a pivotable support arm **160**. The support arm **160** is pivotable about an axis **165**, located between the first end **162** and a second end **164** of the support arm **160**. The second end **164** bears against an oval cam wheel **170**. The

31

oval cam wheel 170 is pivotable about an axis 175, and also includes a ratchet mechanism 177.

To adjust the vertical position of the brush height adjustment wheel 124 relative to the cleaning head 120—and thereby adjust the spacing between the axis 1005 of the brush roll 1000 relative to the floor surface 10—a ratchet actuator 180, such as a solenoid, may be pulsed or otherwise actuated to advance the ratchet mechanism, thereby rotating the oval cam wheel 170. As the oval cam wheel 170 is rotated, the location of the point of contact between the second end 164 of the support arm 160 and the oval cam wheel 170 is varied, thereby varying the vertical height of brush height adjustment wheel 124. Continuing to advance the ratchet mechanism 177 will alternately raise and lower the brush height adjustment wheel 124.

In the position illustrated in FIG. 58, the ratchet mechanism 177 has been advanced, and the brush height adjustment wheel 124 is raised relative to the cleaning head 120, resulting in bristles of the brush roll 1000 being in contact with the floor surface 10. This may be characterized as a floor cleaning position. In the position illustrated in FIG. 59, the brush height adjustment wheel 124 is lowered relative to the cleaning head 120, resulting in bristles of the brush roll 1000 being lifted clear of contact with the floor surface 10. This may be characterized as a raised position.

In the example illustrated in FIGS. 60 and 61, the second end 164 of the support arm 160 is directly coupled to an actuator 180, such as a solenoid, which may be extended to raise the brush height adjustment wheel 124 relative to the cleaning head 120, resulting in a floor cleaning position as illustrated in FIG. 60, or retracted to lower the brush height adjustment wheel 124 relative to the cleaning head 120, resulting in a raised position as illustrated in FIG. 61.

In the example illustrated in FIGS. 62 and 63, the second end 164 of the support arm 160 is coupled to a rack 178, and a pinion 179 driven by an actuator, such as a solenoid, may be rotated in a first direction to advance the rack 178 towards the second end 164, thereby raising the brush height adjustment wheel 124 relative to the cleaning head 120, resulting in a floor cleaning position as illustrated in FIG. 62, or rotated in a second, opposite direction to retract the rack towards the actuator, thereby lowering the brush height adjustment wheel 124 relative to the cleaning head 120, resulting in a raised position as illustrated in FIG. 63.

It will be appreciated that thermally degrading or burning hair may result in the emission of undesirable odors. Optionally, the suction motor of the surface cleaning apparatus may be operated when the heating element is actuated. Thus, some or all of the odorous particles released during the thermal degradation of the hair may be drawn into air treatment member of the surface cleaning apparatus, which may reduce or otherwise mitigate odors resulting from the thermal degradation.

Accordingly, the suction motor may be automatically actuated when the heating member is actuated. Alternatively, or in addition, the suction motor may be operable at a lower air flow rate than when the surface cleaning apparatus is used to clean a surface.

Brush Roll with Hard Floor Cleaning Pad and Flexible Protective Pad Member

The following is a description of different features of a rotatable brush roll that has at least one hard floor cleaning pad and at least one flexible protective pad member. These features may be used by themselves in any brush roll or in any combination or sub-combination with any other feature or features described herein. For example, any of the features of the hard floor cleaning pad and flexible protective

32

pad member described herein may be used with any one or more of the bristles with leading and trailing blocking members, sheath-encased bristles, heating element, internal hair blocking members, flexible columns, and other features described herein.

In any embodiment disclosed herein, a rotatable brush roll 1000 may be provided with at least one hard floor cleaning pad and a flexible protective pad member (e.g. bristles and/or bristle tufts). The protective pad member is preferably spaced forwardly or rearwardly (in the direction of rotation of the brush roll) from the hard floor cleaning pad, so that the protective pad member can flex without being limited by engagement with the hard floor cleaning pad. For example, a protective pad member may be positioned spaced 1-12, 1-8, 1-4 or 1-2 mm forward from the forward rotational side of the hard floor cleaning pad and a second protective pad member may be positioned spaced 1-12, 1-8, 1-4 or 1-2 mm rearward from the rearward rotational side of the hard floor cleaning pad. Alternately, only one of a forward and rearwardly positioned protective pad member may be provided.

A protective pad member may be shorter or longer than the height of a hard floor cleaning pad (if the pad is mounted to a brush core) or, if the hard floor cleaning pad is mounted to a base or cushion, which base or cushion is mounted to a brush core, the height of a hard floor cleaning pad and the base or cushion. For example, the outer end of the forward and/or rearwardly positioned protective pad member may be positioned spaced $\pm 1, 2, 3$ mm radially inwardly or radially outwardly of the radial outer end of the floor cleaning pad. Optionally, a front or forwardly positioned protective pad member may be shorter than the rear or rearwardly positioned protective pad member.

An advantage of this design is that, even though the hard floor cleaning pad may be recessed radially from the outer end of the flexible protective pad member, when the end of the protective pad member has flexed due to contact with a surface being cleaned, the outer surface of the hard floor cleaning pad may also contact the floor surface. When the hard floor cleaning pad and the flexible protective pad member are both in contact with the floor surface, hair or other strand-like debris that has migrated or otherwise become embedded in or trapped on the flexible protective pad member may be partially or completely dislodged from the protective pad member.

Optionally, a first protective pad member may be positioned forwardly (in the direction of rotation of the brush roll) from the hard floor cleaning pad and a second protective pad member may be positioned rearwardly (in the direction of rotation of the brush roll) from the hard floor cleaning pad.

The protective pad member may comprise bristles, which may include one or more of an internal hair blocking member, a leading hair blocking member and a trailing hair blocking member. Alternatively, or in addition, the bristles may be encased in a sheath. Alternatively, or in addition, a hair blocking member may be used in the absence of any bristles. The hair blocking member or members may be any of those discussed herein.

A schematic example is illustrated in FIG. 64. In this example, two flexible protective pad members in the form of bristles 1100a, 1100b are each positioned between one of two hard floor cleaning pads 1600a, 1600b. Each hard floor cleaning pad 1600 has a height or length 1625 from the outer surface 1010 of brush roll 1000 to the radial outer surface 1610 of the pads.

The radial outer surfaces **1610** of the hard floor cleaning pads **1600a**, **1600b** may define a plane **1650** that extends between the cleaning pads. Preferably, the cleaning pads are less flexible and/or less compressible than the bristles **1100**, such that when the bristles **1100** are flexed (e.g. due to engagement with a floor surface **10**) the bristle ends **1110** may be approximately co-incident or recessed radially inwardly from the plane **1650**, e.g. when in a position shown by dashed lines A.

The radial outer surface **1610** of hard floor cleaning pad **1600** may comprise any material suitable for cleaning a non-carpeted surface, such as tile, hardwood, and the like. For example, a microfiber material **1620** may be provided on a support **1630**, which may include a flexible or compressible support member such as an open cell or closed cell foam support structure. For example, a flexible support member **1630** may be deflected or otherwise resiliently deformed such that the outer surface **1610** may be moved radially inwardly when urged towards brush roll axis **1105**, e.g. as a result of roll **1000** being compressed against a floor surface **10**.

Alternatively, a microfiber material **1620** may be provided on a non-compressible support **1630**.

FIGS. **65-78** illustrate various examples of brush rolls **1000** having a combination of hard floor cleaning pads and flexible protective pad members.

In the example illustrated in FIGS. **65** and **66**, brush roll **1000** has two hard floor cleaning pads **1600a**, **1600b**, with flexible protective pad members in the form of a row **1103** of bristle tufts **1100** and a hair blocking member **1200** positioned between the leading and trailing ends of the hard floor cleaning pads. In this example, the hair blocking member **1200** precedes the bristle tufts **1100** when the brush roll is rotated in rotational direction **1012**. The flexible protective pad members may be positioned midway between the hard floor cleaning pads **1600a**, **1600b**, closer to the leading edge of hard floor cleaning pad **1600a**, or closer to the trailing edge of hard floor cleaning pad **1600b**.

In the example illustrated in FIGS. **67** and **68**, brush roll **1000** has two hard floor cleaning pads **1600a**, **1600b**, with a row **1103** of bristle tufts **1100** and a hair blocking member **1200** positioned between the leading and trailing ends of the hard floor cleaning pads—like those illustrated in FIGS. **65** and **66**—but in this example, the bristle tufts **1100** precede the hair blocking member **1200** when the brush roll is rotated in rotational direction **1012**. The flexible protective pad members may be positioned midway between the hard floor cleaning pads **1600a**, **1600b**, closer to the leading edge of hard floor cleaning pad **1600a**, or closer to the trailing edge of hard floor cleaning pad **1600b**.

In the example illustrated in FIGS. **69** and **70**, brush roll **1000** has two hard floor cleaning pads **1600a**, **1600b**, with a row **1103** of bristle tufts **1100** positioned between two hair blocking members **1200a**, **1200b** that are themselves positioned between the ends of the hard floor cleaning pads. In this example, one of the hair blocking members **1200a**, **1200b** may be positioned proximate the leading edge of a pad and the other may be positioned proximate a trailing edge of the same pad and may therefore act to inhibit hair and the like from becoming trapped on the pad.

In the example illustrated in FIGS. **71** and **72**, brush roll **1000** has two hard floor cleaning pads **1600a**, **1600b**, with a hair blocking member **1500** positioned between two rows **1103a**, **1103b** of bristle tufts **1100** that are themselves positioned between the ends of the hard floor cleaning pads.

The example illustrated in FIGS. **73** and **74** is similar to the example illustrated in FIGS. **71** and **72**, but the hair

blocking member **1500** has a proximate portion **1522** that extends continuously from the first end **1002** to the second end **1004** of the brush roll **1000**, and a plurality of distal segments **1524** that extend radially outwardly from the proximate portion **1522**, like the hair blocking member **1500** illustrated in FIGS. **44** and **45**.

In the example illustrated in FIG. **75**, hair blocking member **1500** consists of a plurality of abutting segments **1526**, with each segment **1526** spanning a portion of the distance from the first end **1002** to the second end **1004** of the brush roll **1000**.

The example illustrated in FIGS. **76** and **77** is similar to the example illustrated in FIGS. **71** and **72**, but the radial outer end **1510** of the blocking member **1500** has a cross member **1507** that extends between, and optionally abuts, the forward rotational side **1112** of the bristles **1100** in bristle row **1103a**, and the rearward rotational side **1114** of the bristles **1100** in bristle row **1103b**, like the hair blocking member **1500** illustrated in FIGS. **42** and **43**.

In the example illustrated in FIG. **78**, brush roll **1000** has two hard floor cleaning pads **1600a**, **1600b**, with two hair blocking members **1200a**, **1200b** positioned between each of the ends of the hard floor cleaning pads. In this example, no bristles are provided on brush roll **1000**. The hair blocking members may be any hair blocking members disclosed herein.

FIGS. **79-83** illustrate an example of a brush roll **1000** having a leading hair blocking member **1200a**, a hard floor cleaning pad **1600**, and a trailing hair blocking member **1200b** interacting with a floor surface **10** during rotation of the brush roll **1000**. Such a configuration may facilitate the partial or complete dislodgement of hair, string, or other strand-like material from the surface of the microfiber cleaning pad **1600**.

In FIG. **79**, brush roll **1000** is at a position where the leading edge of the microfiber material **1620** is in contact with the floor surface **10**. In FIG. **80**, the brush roll **1000** has been further rotated so that the microfiber material **1620** has been compressed and is sweeping over the floor surface **10**, and the trailing hair blocking member **1200b** is approaching contact with the floor surface **10**.

In FIGS. **81** and **82**, the brush roll **1000** is further rotated so that the microfiber material **1620** continues to sweep over the floor surface **10**. In these positions, the compressible support **1630** has been deformed in addition to the compression of the microfiber material **1620**. The trailing hair blocking member **1200b** is in contact with the floor surface **10**, and has flexibly deformed such that its outer surface **1210b** is radially closer to the axis **1005** of brush roll **1000**. In these positions, the plane **1250** defined by the outer ends **1210a**, **1210b** of the hair blocking members **1200a**, **1200b** is approximately co-incident with the floor surface **10**. Also, in these positions the outer surface **1610** of the hard floor cleaning pad **1600** is also approximately co-incident with the floor surface **10**.

In FIG. **83**, the brush roll **1000** has been further rotated so that the microfiber material **1620** is beginning to come out of contact with the floor surface **10**. The trailing hair blocking member **1200b** remains in contact with the floor surface **10**, and remains flexibly deformed. In this position, if a hair or other piece of strand-like debris that is embedded in or clinging to the microfiber material **1620** is also in contact with the end **1210b** of the trailing hair blocking member **1200b**, the hair may be at least temporarily 'pinched' or held between the floor surface **10** and the end **1210b**. In this position, as the compressible support **1630** decompresses once microfiber material **1620** is no longer in

contact with the floor surface **10**, hair or other pieces of strand-like debris held or ‘pinched’ by the trailing hair blocking member **1200b** may be partially or completely debried from the microfiber material **1620**.

In this way, a hair or other piece of strand-like debris that is collected by the microfiber material **1620** from the hard floor cleaning pad coming into contact with the floor surface **10** (e.g. in the position shown in FIG. **79**), and which overlaps the radial outer ends **1210a**, **1210b** of both the leading and trailing hair blocking members may be pulled taut between the ends **1210a**, **1210b** of the hair blocking members—i.e. towards the plane **1250**. When the hair blocking members rebound to their starting (non-compressed) position, the hair or other piece of strand-like debris may be debried from the microfiber material **1620**.

Preferably, as in the example illustrated in FIGS. **79-83**, the length **1225a** of the leading hair blocking member **1200a** is less than the length **1125** of the bristles **1100**. An advantage of providing a shorter leading hair blocking member **1200a** is that this blocking member may not come into contact with a floor surface **10**, and may therefore not be bent back towards the bristles **1100**, which may maintain plane **1250** in a position where it extends through the ends **1110** of the bristles. In alternative embodiments, the length **1225a** of the leading hair blocking member **1200a** may be approximately equal to the length **1125** of the bristles **1100**. The leading hair blocking member may have any of the radial lengths and configurations discussed earlier with respect to other embodiments.

Preferably, the leading and trailing hair blocking members **1200a**, **1200b** are less flexible than the microfiber material **1620** and/or the compressible support **1630**. An advantage of providing less-flexible hair blocking members is that the outer ends **1210a**, **1210b** may be less easily deformed towards the outer surface **1010** of brush roll **1000**, thereby making it easier for the outer surface **1610** of the microfiber cleaning pad **1600** to be compressed, flexed, or otherwise deformed towards or preferably radially inwardly of the plane **1250**.

FIGS. **84-88** illustrate another example of a brush roll **1000** having a leading hair blocking member **1200a**, a hard floor cleaning pad **1600**, and a trailing hair blocking member **1200b** interacting with a floor surface **10** during rotation of the brush roll **1000**. In this example, a substantially rigid support **1630** is provided for the microfiber material **1620**. Accordingly, there may be relatively less, or essentially no, radially inward movement of the outer surface **1610** of the hard floor cleaning pad **1600** as it passes over the floor surface **10**. This can be seen from FIGS. **85-87**, in which all or substantially all of the inward deflection of the outer surface **1610** is due to compression of the microfiber material **1620**.

FIGS. **89-92** illustrate an example of a brush roll **1000** having a leading hair blocking member **1200**, a hard floor cleaning pad **1600** interacting with a floor surface **10** during rotation of the brush roll **1000**, and no trailing hair blocking member **1200b**. In this example, a compressible support **1630** is provided for the microfiber material **1620**.

FIGS. **93-96** illustrate an example of a brush roll **1000** having a hard floor cleaning pad **1600** and a trailing hair blocking member **1200** interacting with a floor surface **10** during rotation of the brush roll **1000**, and no leading hair blocking member **1200a**. In this example, a compressible support **1630** is provided for the microfiber material **1620**. As illustrated in FIGS. **95** and **95**, in this example hair or other pieces of strand-like debris held or ‘pinched’ by the trailing hair blocking member **1200b** may be partially or

completely debried from the microfiber material **1620**, as discussed above with respect to FIG. **83**.

FIGS. **97-101** illustrate an example of a brush roll **1000** having a leading hard floor cleaning pad **1600a**, a bristle tuft **1100** provided with a sheath **1300** and with an internal blocking member **1500** embedded within the tuft, and a trailing hard floor cleaning pad **1600b** interacting with a floor surface **10** during rotation of the brush roll **1000**. In this example, rigid supports **1630** are provided for the hard floor cleaning pads. Such a configuration may facilitate the partial or complete dislodgement of hair, string, or other strand-like material from the bristles **1100** by the cleaning pads **1600a**, **1600b**.

In FIG. **97**, brush roll **1000** is at a position where the microfiber material **1620a** of the leading hard floor cleaning pad **1600a** is in contact with the floor surface **10**. In FIG. **98**, the brush roll **1000** has been further rotated so that the microfiber material **1620a** has compressed and is sweeping over the floor surface **10**, and the forward rotational side **1112** of the bristles **1100** has made contact with the floor surface **10**.

In FIG. **99**, the brush roll **1000** is further rotated so that the microfiber material **1620a** continues to sweep over the floor surface **10**, and the bristles **1110** have been deflected by and are sweeping over the floor surface **10**. The trailing hard floor cleaning pad **1600b** is in contact with the floor surface **10**, and microfiber material **1620b** is being compressed such that its outer surface **1610b** is radially closer to the axis **1005** of brush roll **1000**. In this positions, the plane **1650** defined by the outer surfaces **1610a**, **1610b** of the hard floor cleaning pads **1600a**, **1600b** is approximately co-incident with the floor surface **10**. Also, in this position the outer ends **1110** of the bristles **1100** are also approximately co-incident with the floor surface **10**.

In this way, hair or other pieces of strand-like debris may be drawn outwardly towards the ends **1110** of the bristles **1100** by the hard floor cleaning pads **1600a**, **1600b**, in a manner akin to the example discussed above in FIG. **9** (with the outer surfaces **1610a**, **1610b** of the hard floor cleaning pads **1600a**, **1600b** acting in an analogous manner to the ends **1210a**, **1210b** of the hair blocking members **1200**).

In FIG. **100**, the brush roll **1000** has been further rotated so that the microfiber material **1620a** is out of contact with the floor surface **10**, and the bristles **1110** continue to sweep over the floor surface **10**. The microfiber material **1620b** of the trailing hard floor cleaning pad **1600b** remains in contact with the floor surface **10**, and remains compressed. In this position, hair or other pieces of strand-like debris held or ‘pinched’ by the microfiber material **1620b** may be partially or completely debried from the bristles **1110**, in a manner akin to the example discussed above in FIG. **10** (with the outer surface **1610b** of the hard floor cleaning pad **1600b** acting in an analogous manner to the end **1210b** of the hair blocking member **1200b**).

In FIG. **101**, the brush roll **1000** has been further rotated so that the microfiber material **1620b** is just out of contact with the floor surface **10**.

Brush Roll with Flexible Columns

The following is a description of different features of a rotatable brush roll that has a plurality of flexible columns. These features may be used by themselves in any brush roll or in any combination or sub-combination with any other feature or features described herein. For example, any of the features of the flexible columns described herein may be used with any one or more of the bristles with leading and trailing blocking members, sheath-encased bristles, heating

element, internal hair blocking members, hard floor cleaning pad and flexible protective pad member, and other features described herein.

Referring to FIGS. 102 to 113, a rotatable brush roll is provided with a plurality of flexible columns or posts 1500. When brush 1000 is rotated, the flexible posts 1500 may provide mechanical agitation of a surface being cleaned. The flexible posts 1500 may be provided instead of, or in addition to other agitation members, such as bristles 1100 and/or hard floor cleaning pads 1600.

The flexible posts may be located on the leading side and/or the trailing side of the bristles.

In the example illustrated in FIGS. 102 and 103, a plurality of flexible columns or posts 1500 are provided adjacent the rearward or trailing rotational side 1114 of bristle tufts 1100, and trail the bristle tufts 1100 as the brush roll is rotated in rotational direction 1012.

In the example illustrated in FIGS. 104 and 105, a plurality of flexible columns or posts 1500 are provided adjacent the forward or leading rotational side 1112 of bristle tufts 1100, and precede the bristle tufts 1100 as the brush roll is rotated in rotational direction 1012.

In the example illustrated in FIGS. 106 and 107, a plurality of flexible columns or posts 1500a are provided adjacent the forward rotational side 1112 of bristle tufts 1100, and a plurality of flexible columns or posts 1500b are provided adjacent the rearward rotational side 1114 of bristle tufts 1100.

In the example illustrated in FIGS. 108 and 109, a plurality of flexible columns or posts 1500 are arranged in three rows that extend from the first end 1002 to the second end 1004 of the brush roll 1000. It will be appreciated that one or more rows of posts may be provided.

It will be appreciated that any hair blocking member disclosed herein may be used in combination with posts 1500, whether the posts are used in an embodiment with bristles or without bristles. In the example illustrated in FIGS. 110 and 111, a plurality of flexible columns or posts 1500 are arranged forward and rearward of a hair blocking member 1200.

It will be appreciated that posts 1500 may be used in combination with a floor cleaning pad, whether the posts are used in an embodiment with bristles or without bristles and with or without a hair blocking member. In the example illustrated in FIGS. 112 and 113, a plurality of flexible columns or posts 1500 are arranged forward and rearward of a hair blocking member 1200, and hard floor cleaning pads 1600a, 1600b are also provided.

Brush Roll with Hair Blocking Member

The following is a description of different features of a rotatable brush roll that has at least one hair blocking member provided adjacent a row of bristles or bristle tufts. These features may be used by themselves in any brush roll or in any combination or sub-combination with any other feature or features described herein. For example, any of the features of the hair blocking member described herein may be used with any one or more of the bristles with leading and trailing blocking members, sheath-encased bristles, heating element, internal hair blocking members, hard floor cleaning pad and flexible protective pad member, and other features described herein.

Referring to FIGS. 114 to 117, a rotatable brush roll is provided with a hair blocking member 1200 provided adjacent a row 1103 of bristles or bristle tufts 1100. The hair blocking member 1200 may inhibit or prevent hair, string, or other strand-like material from becoming wound about the

outer surface 1010 of the brush roll 1000, and/or from becoming embedded in the bristles.

In the example illustrated in FIGS. 114 and 115, a hair blocking member 1200 is provided adjacent the rearward rotational side 1114 of bristle tufts 1100, and trails the bristle tufts 1100 as the brush roll is rotated in rotational direction 1012.

In the example illustrated in FIGS. 116 and 117, a hair blocking member 1200 is provided adjacent the forward rotational side 1112 of bristle tufts 1100, and precede the bristle tufts 1100 as the brush roll is rotated in rotational direction 1012.

The hair blocking member may be spaced from the bristle tufts the same amount as discussed previously respect to other hair blocking members and may have a length the same as discussed previously with respect to other hair blocking members.

As used herein, the wording “and/or” is intended to represent an inclusive-or. That is, “X and/or Y” is intended to mean X or Y or both, for example. As a further example, “X, Y, and/or Z” is intended to mean X or Y or Z or any combination thereof.

While the above description describes features of example embodiments, it will be appreciated that some features and/or functions of the described embodiments are susceptible to modification without departing from the spirit and principles of operation of the described embodiments. For example, the various characteristics which are described by means of the represented embodiments or examples may be selectively combined with each other. Accordingly, what has been described above is intended to be illustrative of the claimed concept and non-limiting. It will be understood by persons skilled in the art that other variants and modifications may be made without departing from the scope of the invention as defined in the claims appended hereto. The scope of the claims should not be limited by the preferred embodiments and examples, but should be given the broadest interpretation consistent with the description as a whole.

The invention claimed is:

1. A surface cleaning apparatus comprising:

- a) an air flow path extending from a dirty air inlet to a clean air outlet with an air treatment member and a suction motor provided in the air flow path;
- b) a rotatably mounted brush associated with the dirty air inlet, the rotatably mounted brush having a brush core, an axis of rotation, a length in the axial direction, and first and second axially spaced apart sides; and,
- c) a plurality of bristles extending outwardly from the brush core, the bristles having a bristle length from the brush core to an outer end of the bristles;

wherein the rotatably mounted brush has a resistive heating element that is positioned exterior to the brush core.

2. The surface cleaning apparatus of claim 1 wherein the heating element is operable at a temperature above a temperature at which hair burns and below a degradation temperature of the bristles.

3. The surface cleaning apparatus of claim 1 wherein the heating element extends between the first and second axially spaced apart sides.

4. The surface cleaning apparatus of claim 1 wherein the heating element extends continuously between the first and second axially spaced apart sides.

5. The surface cleaning apparatus of claim 1 wherein bristles are provided in at least one row extending between the first and second axially spaced apart sides and the heating element is provided in the row of bristles.

6. The surface cleaning apparatus of claim 5 wherein the heating element is provided spaced from the brush core.

7. The surface cleaning apparatus of claim 6 wherein the heating element is provided radially outwardly from the brush core towards the outer end of the bristles.

8. The surface cleaning apparatus of claim 7 wherein the bristles have a radial outer portion located from a position 75% along the length of the bristles and the outer end of the bristles and the heating element is located in the outer portion.

9. The surface cleaning apparatus of claim 1 wherein the heating element is provided on the brush core.

10. The surface cleaning apparatus of claim 1 wherein the heating element is provided adjacent at least one of a forward rotational side of the bristles and a rearward rotational side of the bristles.

11. The surface cleaning apparatus of claim 1 wherein the heating element is provided spaced from the brush core and the surface cleaning apparatus further comprises more than two heating element support members spaced axially along the length of the brush.

12. The surface cleaning apparatus of claim 11 wherein the heating element support members are flexible.

13. The surface cleaning apparatus of claim 1 wherein the heating element is manually actuatable.

14. The surface cleaning apparatus of claim 1 wherein the heating element is automatically actuatable when the suction motor is actuated.

15. The surface cleaning apparatus of claim 1 wherein the heating element is operable only when the rotatably mounted brush is positioned above a floor on which the surface cleaning apparatus is positioned.

16. The surface cleaning apparatus of claim 1 wherein the surface cleaning apparatus is an upright surface cleaning apparatus having a surface cleaning head which has the dirty air inlet and an upright section moveably mounted to the surface cleaning head between an upright storage position and a reclined floor cleaning position, the upright surface cleaning apparatus having a lift off mechanism operable between a floor cleaning position in which the rotatably mounted brush is positioned to clean a floor on which the surface cleaning head is positioned and a raised position in which the rotatably mounted brush is spaced from the floor, and the heating element is operable when the lift off mechanism is in the raised position.

17. The surface cleaning apparatus of claim 16 wherein the lift off mechanism is automatically moveable to the raised position when the upright section is moved into the upright storage position and the surface cleaning apparatus has a sensor operable to determine when the upright section is in the upright storage position and the heating element is actuated when the sensor issues a signal indicative that the upright section is in the upright storage position.

18. The surface cleaning apparatus of claim 16 wherein the heating element is automatically actuatable when the lift off mechanism is moved to the raised position.

19. The surface cleaning apparatus of claim 1 wherein the suction motor is operable at a first speed when the surface cleaning apparatus is operated to clean a floor and a second speed, which is lower than the first speed, when the heating element is actuated.

20. The surface cleaning apparatus of claim 13 wherein the heating element is only actuatable when the suction motor is actuated.

* * * * *