



Dessin industriel

Industrial Design

Certificat d'enregistrement *Certificate of Registration*

Je certifie par la présente que le dessin identifié ci-dessous et représenté en annexe a été dûment enregistré conformément à la Loi sur les dessins industriels.

I hereby certify that the industrial design identified below and annexed hereto has been duly registered in accordance with the Industrial Design Act.

L'enregistrement est valide pour dix années, à compter de la date d'enregistrement inscrite ci-dessous, à condition que le droit de maintien ait été acquité.

The registration is valid for ten years from the registration date indicated below, subject to payment of the prescribed maintenance fee.

No d'enregistrement / Registration No. :

121442

Date d'enregistrement / Registration date :

26/03/2008

Propriétaire / Proprietor: GBD Corp

c/o Charlotte House, Charlotte Street, Nassau, Bahamas

Denis Simard

Membre du personnel du bureau du commissaire aux brevets
Officer of the Office of the Commissioner of Patents

Certificat délivré le / Certificate issued: 26/03/2008

Canadian Industrial Designs Database

*** Note : Data on industrial designs is shown in the official language in which it was submitted.

Registration No.: 121442 **Date of Registration:** 2008-03-26
Status: Registered

Title: VACUUM
CLEANER **Canadian Classification:**
012-04-Vacuum Cleaners and Electric
Brooms

Other Classes Searched:
N/A

References Considered:

**-Canadian Industrial
Design Registrations:**
Registration Date Title
N/A

-Other Publications:
N/A
*= Cited by Examiner

Description:

The design is the shape and configuration of Vacuum Cleaner shown in the drawings. The portions of the vacuum cleaner shown in dotted outline do not form part of the design. Drawings of the design are included. In the drawings: Figure 1 is a rear elevation view of the vacuum cleaner; Figure 2 is a front elevation view of the vacuum cleaner of Figure 1; Figure 3 is a perspective view from the front and the left side of the vacuum cleaner of Figure 1; Figure 4 is a perspective view from the front and the right side of the vacuum cleaner of Figure 1; Figure 5 is an elevation view of the left side of the vacuum cleaner of Figure 1; Figure 6 is an elevation view of the right side of the vacuum cleaner of Figure 1; Figure 7 is a top plan view of the right side of the vacuum cleaner of Figure 1; and, Figure 8 is a bottom plan view of the vacuum cleaner of Figure 1.

Interested Parties

Applicant(s) as Filed:
GBD Corp

Registered Proprietor(s):

GBD Corp
c/o Charlotte House, Charlotte Street
Nassau,
Bahamas

Current Owner(s):

GBD Corp
c/o Charlotte House, Charlotte Street
Nassau,
Bahamas

Client Reference Number: 10452-128/PMdC

Representative for Service:

BERESKIN & PARR
Box 401, 40 King Street West, Suite 4000
Toronto, M5H 3Y2
Ontario, Canada

Agent:

BERESKIN & PARR
Box 401, 40 King Street West, Suite 4000
Toronto, M5H 3Y2
Ontario, Canada

Term of Protection: 10 years, subject to payment of a maintenance fee.

Maintenance Fee Paid: No

Filing Date: 2007-07-16

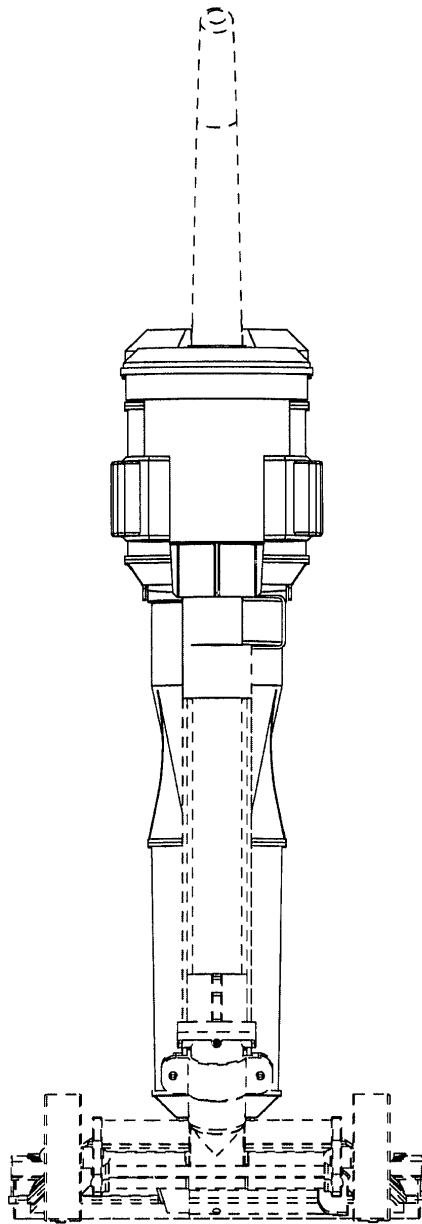


Fig. 1

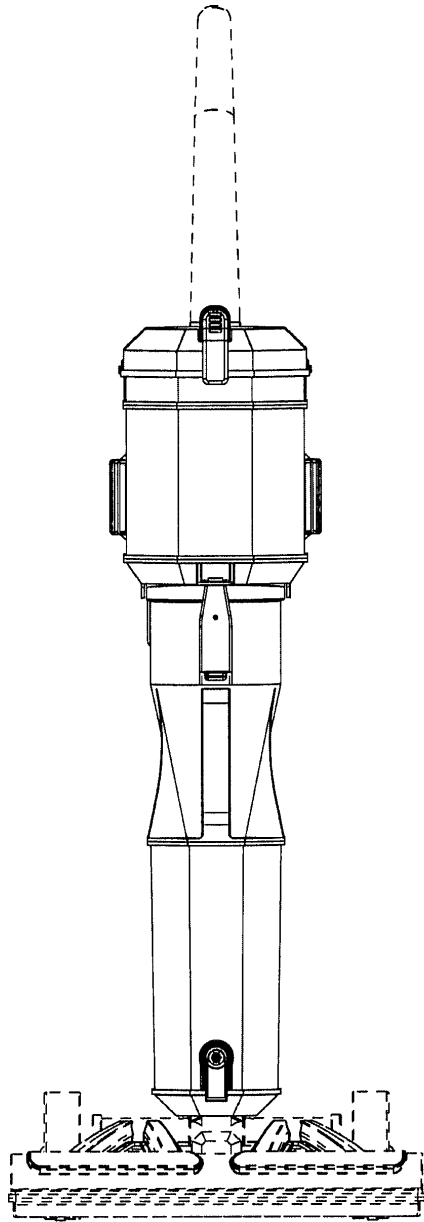


Fig. 2

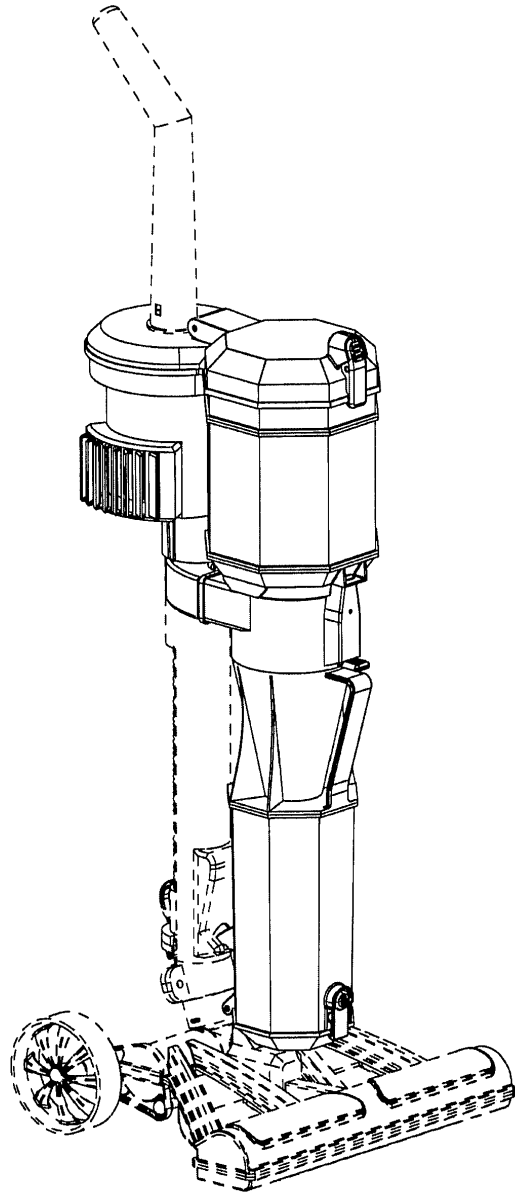


Fig. 3

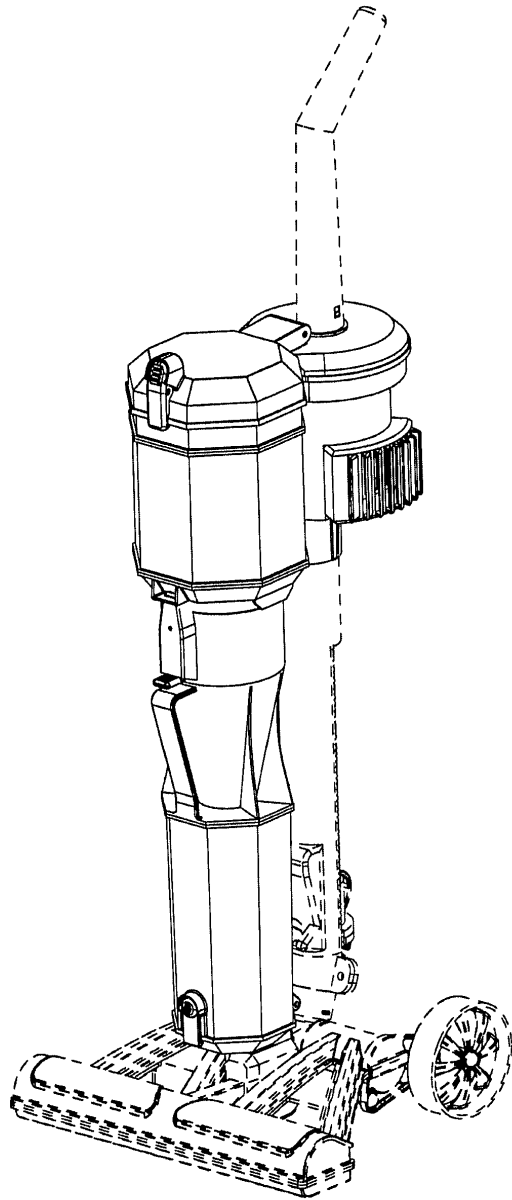


Fig. 4

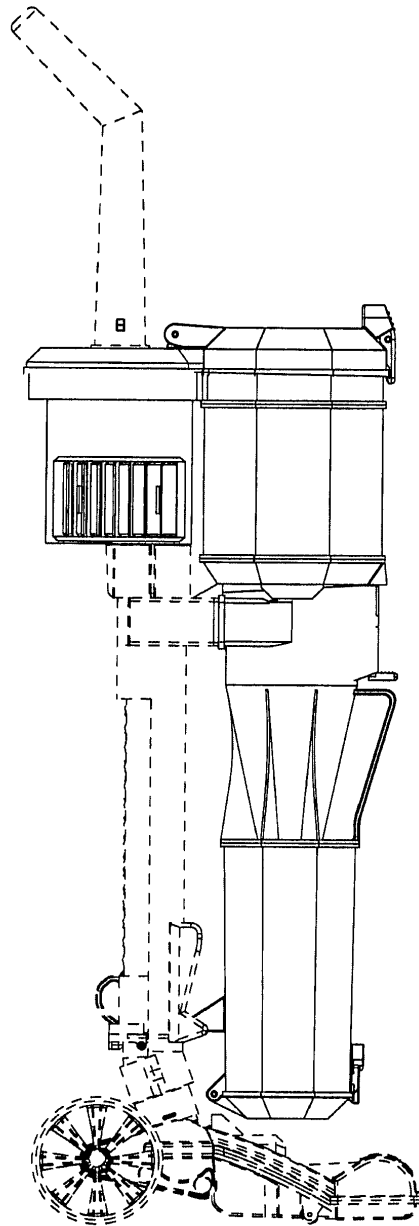


Fig. 5

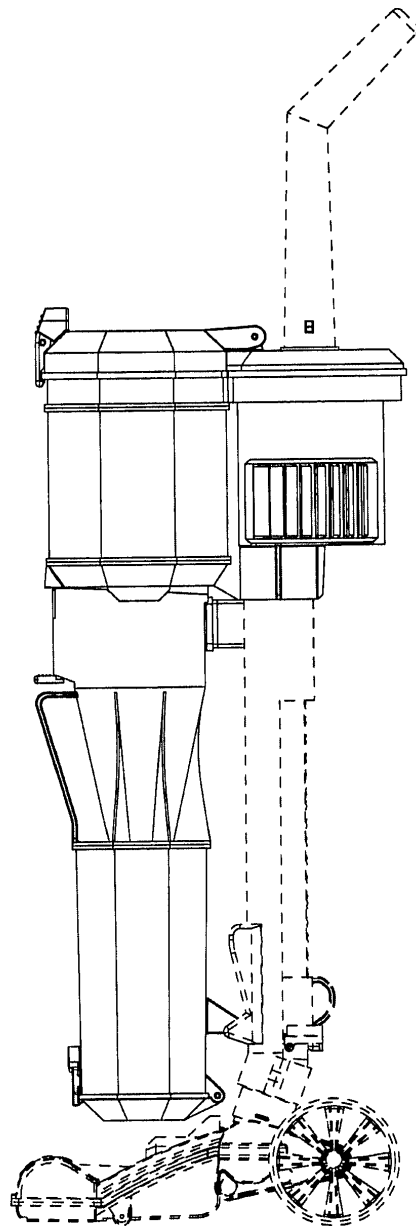


Fig. 6

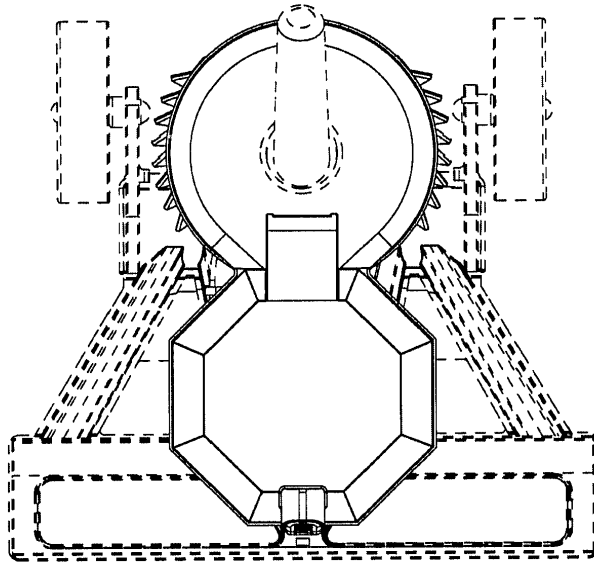


Fig. 7

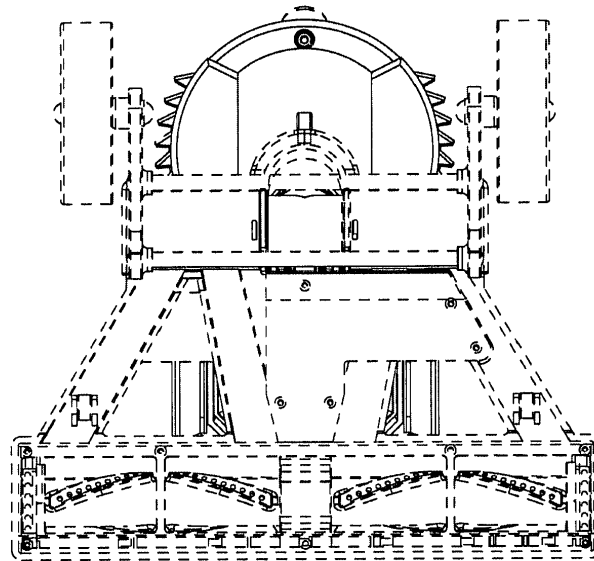


Fig. 8