

(12) **United States Patent**
Conrad

(10) **Patent No.:** **US 10,631,693 B2**
(45) **Date of Patent:** **Apr. 28, 2020**

- (54) **HANDHELD SURFACE CLEANING APPARATUS**
- (71) Applicant: **Omachron Intellectual Property Inc.,**
Hampton (CA)
- (72) Inventor: **Wayne Ernest Conrad,** Hampton (CA)
- (73) Assignee: **Omachron Intellectual Property Inc.,**
Hampton, Ontario (CA)
- (*) Notice: Subject to any disclaimer, the term of this patent is extended or adjusted under 35 U.S.C. 154(b) by 174 days.

(21) Appl. No.: **15/642,825**
(22) Filed: **Jul. 6, 2017**

(65) **Prior Publication Data**
US 2019/0008341 A1 Jan. 10, 2019

(51) **Int. Cl.**
A47L 5/24 (2006.01)
A47L 9/32 (2006.01)
(Continued)

(52) **U.S. Cl.**
CPC **A47L 5/24** (2013.01); **A47L 9/106**
(2013.01); **A47L 9/122** (2013.01); **A47L 9/127**
(2013.01); **A47L 9/1608** (2013.01); **A47L**
9/1625 (2013.01); **A47L 9/1641** (2013.01);
A47L 9/1666 (2013.01); **A47L 9/1683**
(2013.01); **A47L 9/246** (2013.01); **A47L**
9/2842 (2013.01); **A47L 9/2857** (2013.01);
A47L 9/2878 (2013.01);
(Continued)

(58) **Field of Classification Search**
CPC **A47L 5/24**; **A47L 9/322**; **A47L 9/2878**;
A47L 9/2884; **A47L 9/1608**; **A47L**
9/1625; **A47L 9/1641**
See application file for complete search history.

(56) **References Cited**
U.S. PATENT DOCUMENTS

911,258 A 2/1909 Neumann
1,600,762 A 9/1926 Hawley
(Continued)

FOREIGN PATENT DOCUMENTS

AU 112778 A 4/1940
AU 2008200579 A1 8/2008
(Continued)

OTHER PUBLICATIONS

English machine translation of CN203914775U published on Nov. 5, 2014.

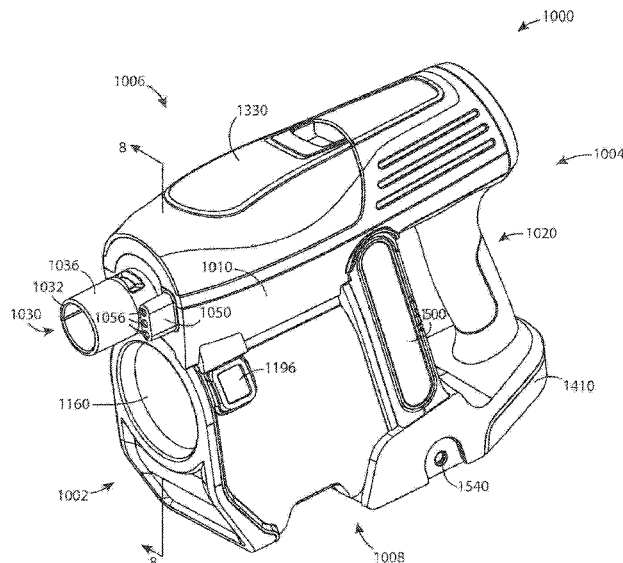
(Continued)

Primary Examiner — Andrew A Horton
(74) *Attorney, Agent, or Firm* — Philip C. Mendes da Costa; Bereskin & Parr LLP/S.E.N.C.R.L., s.r.l.

(57) **ABSTRACT**

A hand vacuum cleaner has an air flow path extending from a dirty air inlet to a clean air outlet. A cyclone chamber positioned in the air flow path has a cyclone air inlet and a cyclone air outlet. A handle having a hand grip portion extend upwardly and forwardly when the upper end of the hand vacuum cleaner is positioned above the lower end of the hand vacuum cleaner. At least one energy storage member is positioned in an energy storage chamber. A suction motor is positioned in the air flow path upstream of the clean air outlet, wherein the suction motor is located at an upper end of the handle and rearward of the at least one energy storage member when the upper end of the hand vacuum cleaner is positioned above the lower end of the hand vacuum cleaner.

18 Claims, 50 Drawing Sheets



(51)	Int. Cl.		5,054,157 A	10/1991	Werner et al.
	<i>A47L 9/16</i>	(2006.01)	5,078,761 A	1/1992	Dyson
	<i>A47L 9/28</i>	(2006.01)	5,080,697 A	1/1992	Finke
	<i>A47L 9/12</i>	(2006.01)	5,090,976 A	2/1992	Dyson
	<i>A47L 9/10</i>	(2006.01)	5,129,125 A	7/1992	Gamou et al.
	<i>A47L 9/24</i>	(2006.01)	5,224,238 A	7/1993	Bartlett
(52)	U.S. Cl.		5,230,722 A	7/1993	Yonkers
	CPC	<i>A47L 9/2884</i> (2013.01); <i>A47L 9/2889</i>	5,254,019 A	10/1993	Noschese
		(2013.01); <i>A47L 9/322</i> (2013.01)	5,267,371 A	12/1993	Soler et al.
(56)	References Cited		5,287,591 A	2/1994	Rench et al.
	U.S. PATENT DOCUMENTS		5,307,538 A	5/1994	Rench et al.
	1,797,812 A	3/1931 Waring	5,309,600 A	5/1994	Weaver et al.
	1,898,608 A	2/1933 Alexander	5,309,601 A	5/1994	Hampton et al.
	1,937,765 A	12/1933 Leathers	5,347,679 A	9/1994	Saunders et al.
	2,015,464 A	9/1935 Saint-Jacques	5,363,535 A	11/1994	Rench et al.
	2,152,114 A	3/1939 Van Tongeren	5,467,835 A	11/1995	Obermeier et al.
	2,542,634 A	2/1951 Davis et al.	5,481,780 A	1/1996	Daneshvar
	2,678,110 A	5/1954 Madsen	5,515,573 A	5/1996	Frey
	2,731,102 A	1/1956 James	5,599,365 A	2/1997	Alday et al.
	2,811,219 A	10/1957 Wenzl	D380,033 S	6/1997	Theiss et al.
	2,846,024 A	8/1958 Bremi	5,709,007 A	1/1998	Chiang
	2,913,111 A	11/1959 Rogers	5,755,096 A	5/1998	Holleyman
	2,917,131 A	12/1959 Evans	5,815,878 A	10/1998	Murakami et al.
	2,937,713 A	5/1960 Stephenson et al.	5,815,881 A	10/1998	Sjoegreen
	2,942,691 A	6/1960 Dillon	5,858,038 A	1/1999	Dyson et al.
	2,942,692 A	6/1960 Benz	5,858,043 A	1/1999	Geise
	2,946,451 A	7/1960 Culleton	5,893,938 A	4/1999	Dyson et al.
	2,952,330 A	9/1960 Winslow	5,935,279 A	8/1999	Kilstrom
	2,981,369 A	4/1961 Yellott et al.	5,950,274 A	9/1999	Kilstrom
	3,032,954 A	5/1962 Racklyeft	5,970,572 A	10/1999	Thomas
	3,085,221 A	4/1963 Kelly	6,071,095 A	6/2000	Verkaart
	3,130,157 A	4/1964 Kelsall et al.	6,071,321 A	6/2000	Trapp et al.
	3,200,568 A	8/1965 McNeil	6,080,022 A	6/2000	Shaberman et al.
	3,204,772 A	9/1965 Ruxton	6,113,663 A	9/2000	Liu
	3,217,469 A	11/1965 Eckert	6,122,796 A	9/2000	Downham et al.
	3,269,097 A	8/1966 German	6,195,835 B1	3/2001	Song et al.
	3,320,727 A	5/1967 Farley et al.	6,210,469 B1	4/2001	Tokar
	3,372,532 A	3/1968 Campbell	6,221,134 B1	4/2001	Conrad et al.
	3,426,513 A	2/1969 Bauer	6,228,260 B1	5/2001	Conrad et al.
	3,518,815 A	7/1970 McFarland et al.	6,231,645 B1	5/2001	Conrad et al.
	3,530,649 A	9/1970 Porsch et al.	6,251,296 B1	6/2001	Conrad et al.
	3,543,325 A	12/1970 Hamrick	6,260,234 B1	7/2001	Wright et al.
	3,561,824 A	2/1971 Homan	6,345,408 B1	2/2002	Nagai et al.
	3,582,616 A	6/1971 Wrob	6,406,505 B1	6/2002	Oh et al.
	3,675,401 A	7/1972 Cordes	6,434,785 B1	8/2002	Vandenbelt et al.
	3,684,093 A	8/1972 Kono et al.	6,440,197 B1	8/2002	Conrad et al.
	3,822,533 A	7/1974 Oranje	6,484,350 B2	11/2002	Yung
	3,898,068 A	8/1975 McNeil	6,502,278 B2	1/2003	Oh et al.
	3,933,450 A	1/1976 Percevault	6,514,131 B1	2/2003	Reich et al.
	3,988,132 A	10/1976 Oranje	6,519,810 B2	2/2003	Kim
	3,988,133 A	10/1976 Schady	6,531,066 B1	3/2003	Saunders et al.
	4,097,381 A	6/1978 Ritzler	6,553,612 B1	4/2003	Dyson et al.
	4,187,088 A	2/1980 Hodgson	6,553,613 B2	4/2003	Onishi et al.
	4,218,805 A	8/1980 Brazier	6,560,818 B1	5/2003	Flask
	4,236,903 A	12/1980 Malmsten	6,562,093 B2	5/2003	Oh
	4,307,485 A	12/1981 Dessig, III	6,581,239 B1	6/2003	Dyson et al.
	4,373,228 A	2/1983 Dyson	6,599,338 B2	7/2003	Oh et al.
	4,382,804 A	5/1983 Mellor	6,599,350 B1	7/2003	Rockwell et al.
	4,409,008 A	10/1983 Solymes	6,613,316 B2	9/2003	Sun et al.
	4,486,207 A	12/1984 Baillie	6,623,539 B2	9/2003	Lee et al.
	4,494,270 A	1/1985 Ritzau et al.	6,625,845 B2	9/2003	Matsumoto et al.
	4,523,936 A	6/1985 Disanza, Jr.	6,640,385 B2	11/2003	Oh et al.
	4,678,588 A	7/1987 Shortt	6,648,934 B2	11/2003	Choi et al.
	4,700,429 A	10/1987 Martin et al.	6,662,403 B2	12/2003	Oh
	4,744,958 A	5/1988 Pircon	6,712,868 B2	3/2004	Murphy et al.
	4,778,494 A	10/1988 Patterson	6,732,403 B2	5/2004	Moore et al.
	4,826,515 A	5/1989 Dyson	6,746,500 B1	6/2004	Park et al.
	D303,173 S	8/1989 Miyamoto et al.	6,775,882 B2	8/2004	Murphy et al.
	4,853,008 A	8/1989 Dyson	6,782,583 B2	8/2004	Oh
	4,853,011 A	8/1989 Dyson	6,782,585 B1	8/2004	Conrad et al.
	4,853,111 A	8/1989 MacArthur et al.	6,810,558 B2	11/2004	Lee
	4,905,342 A	3/1990 Ataka	6,818,036 B1	11/2004	Seaman
	4,944,780 A	7/1990 Usmani	6,833,015 B2	12/2004	Oh et al.
	4,980,945 A	1/1991 Bewley	6,868,578 B1	3/2005	Kasper et al.
			6,874,197 B1	4/2005	Conrad et al.
			6,896,711 B2	5/2005	Oh
			6,896,719 B2	5/2005	Coates et al.
			6,901,625 B2	6/2005	Yang et al.
			6,925,680 B2	8/2005	Oh

(56)

References Cited

U.S. PATENT DOCUMENTS

6,929,516 B2	8/2005	Brochu et al.	8,225,456 B2	7/2012	Håkan et al.
6,952,680 B1	10/2005	Melby et al.	8,347,455 B2	1/2013	Dyson et al.
6,968,596 B2	11/2005	Oh et al.	8,444,731 B2	5/2013	Gomiciaga-Pereda et al.
6,976,885 B2	12/2005	Lord	8,484,799 B2	7/2013	Conrad
7,074,248 B2	7/2006	Jin et al.	8,510,907 B2	8/2013	Conrad
7,113,847 B2	9/2006	Chmura et al.	8,544,143 B2	10/2013	Hwang et al.
7,117,973 B2	10/2006	Graefenstein	8,549,703 B2	10/2013	Smith
7,128,770 B2	10/2006	Oh et al.	8,578,555 B2	11/2013	Conrad
7,152,276 B2	12/2006	Jin et al.	8,595,895 B2	12/2013	Smith
7,160,346 B2	1/2007	Park	8,607,407 B2	12/2013	Conrad
7,162,770 B2	1/2007	Davidshofer	8,657,904 B2	2/2014	Smith
7,175,682 B2	2/2007	Nakai et al.	8,673,487 B2	3/2014	Churchill
7,181,803 B2	2/2007	Park et al.	8,713,751 B2	5/2014	Conrad
7,198,656 B2	4/2007	Takemoto et al.	8,813,305 B2	8/2014	Conrad
7,222,393 B2	5/2007	Kaffenberger et al.	8,869,345 B2	10/2014	Conrad
7,247,181 B2	7/2007	Hansen et al.	8,918,952 B2	12/2014	Rowntree
7,272,872 B2	9/2007	Choi	8,945,258 B2	2/2015	Smith
7,278,181 B2	10/2007	Harris et al.	8,979,960 B2	3/2015	Smith
7,288,129 B2	10/2007	Oh et al.	9,005,324 B2	4/2015	Smith
7,341,611 B2	3/2008	Greene et al.	9,005,325 B2	4/2015	Smith
7,354,468 B2	4/2008	Arnold et al.	9,095,245 B2	8/2015	Conrad
7,370,387 B2	5/2008	Walker et al.	9,144,358 B2	9/2015	Smith
7,377,007 B2	5/2008	Best	9,192,269 B2	11/2015	Conrad
7,377,953 B2	5/2008	Oh	9,204,773 B2	12/2015	Conrad
7,386,915 B2	6/2008	Blocker et al.	9,492,045 B2	11/2016	Conrad
7,395,579 B2	7/2008	Oh	9,516,979 B2	12/2016	Gidwell
7,448,363 B1	11/2008	Rasmussen et al.	9,675,218 B2	6/2017	Kim et al.
7,449,040 B2	11/2008	Conrad et al.	9,711,986 B2	7/2017	Sunderland et al.
7,485,164 B2	2/2009	Jeong et al.	9,986,880 B2	6/2018	Conrad
7,488,363 B2	2/2009	Jeong et al.	10,117,550 B1	11/2018	Conrad
7,547,337 B2	6/2009	Oh et al.	10,238,249 B2	3/2019	Brown et al.
7,547,338 B2	6/2009	Kim et al.	2001/0018865 A1	9/2001	Wegelin et al.
7,563,298 B2	7/2009	Oh	2002/0011050 A1	1/2002	Hansen et al.
7,565,853 B2	7/2009	Arnold et al.	2002/0011053 A1	1/2002	Oh
7,588,616 B2	9/2009	Conrad et al.	2002/0062531 A1	5/2002	Oh
7,597,730 B2	10/2009	Yoo et al.	2002/0062632 A1	5/2002	Oh
7,628,831 B2	12/2009	Gomiciaga-Pereda et al.	2002/0066262 A1	6/2002	Oh
7,640,624 B2	1/2010	Crouch et al.	2002/0088208 A1	7/2002	Lukac et al.
7,645,309 B2	1/2010	Jeong et al.	2002/0112315 A1	8/2002	Conrad
7,686,861 B2	3/2010	Oh	2002/0134059 A1	9/2002	Oh
7,691,161 B2	4/2010	Oh et al.	2002/0134238 A1	9/2002	Conrad et al.
7,708,789 B2	5/2010	Fester	2002/0178535 A1	12/2002	Oh et al.
7,717,973 B2	5/2010	Oh et al.	2002/0178698 A1	12/2002	Oh et al.
7,740,676 B2	6/2010	Burnham et al.	2002/0178699 A1	12/2002	Oh
7,770,256 B1	8/2010	Fester	2003/0046910 A1	3/2003	Lee et al.
7,776,120 B2	8/2010	Conrad	2003/0066273 A1	4/2003	Choi et al.
7,779,506 B2	8/2010	Kang et al.	2003/0106180 A1	6/2003	Tsen
7,780,753 B2	8/2010	Lang	2003/0159238 A1	8/2003	Oh
7,803,207 B2	9/2010	Conrad	2003/0159411 A1	8/2003	Hansen et al.
7,805,804 B2	10/2010	Loebig	2003/0167591 A1	9/2003	Oh
7,811,349 B2	10/2010	Nguyen	2003/0200736 A1	10/2003	Ni
7,867,308 B2	1/2011	Conrad	2004/0010885 A1	1/2004	Hitzelberger et al.
7,882,593 B2	2/2011	Beskow et al.	2004/0025285 A1	2/2004	McCormick et al.
7,887,612 B2	2/2011	Conrad	2004/0098828 A1	5/2004	Oh
7,922,794 B2	4/2011	Morphey	2004/0107530 A1	6/2004	Lee
7,931,716 B2	4/2011	Oakham	2004/0112022 A1	6/2004	Vuijk
7,938,871 B2	5/2011	Lloyd	2004/0134022 A1	7/2004	Murphy et al.
7,958,598 B2	6/2011	Yun et al.	2004/0163206 A1	8/2004	Oh
7,979,959 B2	7/2011	Courtney	2004/0200029 A1	10/2004	Jin et al.
7,996,956 B2	8/2011	Wood et al.	2004/0216264 A1	11/2004	Shaver et al.
8,021,453 B2	9/2011	Howes	2004/0231093 A1	11/2004	Oh
8,028,373 B2	10/2011	Rowntree	2004/0237248 A1	12/2004	Oh et al.
8,048,180 B2	11/2011	Oh et al.	2005/0081321 A1	4/2005	Milligan et al.
8,062,398 B2	11/2011	Luo et al.	2005/0115409 A1	6/2005	Conrad
8,074,321 B2	12/2011	Fry et al.	2005/0132528 A1	6/2005	Yau
8,100,999 B2	1/2012	Ashbee et al.	2005/0198769 A1	9/2005	Lee et al.
8,101,001 B2	1/2012	Qian	2005/0198770 A1	9/2005	Jung et al.
8,117,712 B2	2/2012	Dyson et al.	2005/0252179 A1	11/2005	Oh et al.
8,146,201 B2	4/2012	Conrad	2005/0252180 A1	11/2005	Oh et al.
8,150,907 B2	4/2012	Otsuka et al.	2006/0037172 A1	2/2006	Choi
8,151,407 B2	4/2012	Conrad	2006/0042206 A1	3/2006	Arnold et al.
8,152,877 B2	4/2012	Greene	2006/0090290 A1	5/2006	Lau
8,156,609 B2	4/2012	Milne et al.	2006/0102005 A1	5/2006	Oh et al.
8,161,599 B2	4/2012	Griffith et al.	2006/0123590 A1	6/2006	Fester et al.
8,206,482 B2	6/2012	Williams et al.	2006/0137304 A1	6/2006	Jeong et al.
			2006/0137306 A1	6/2006	Jeong et al.
			2006/0137309 A1	6/2006	Jeong et al.
			2006/0137314 A1	6/2006	Conrad et al.
			2006/0156508 A1	7/2006	Khalil

(56)		References Cited			
		U.S. PATENT DOCUMENTS			
2006/0162298	A1	7/2006	Oh et al.	2010/0229324	A1 9/2010 Conrad
2006/0162299	A1	7/2006	North	2010/0229328	A1 9/2010 Conrad
2006/0168922	A1	8/2006	Oh	2010/0236016	A1 9/2010 Tran
2006/0168923	A1	8/2006	Lee et al.	2010/0242210	A1 9/2010 Conrad
2006/0207055	A1	9/2006	Ivarsson et al.	2010/0243158	A1 9/2010 Conrad
2006/0207231	A1	9/2006	Arnold	2010/0293745	A1 11/2010 Coburn
2006/0230715	A1	10/2006	Oh et al.	2010/0299865	A1 12/2010 Conrad
2006/0230723	A1	10/2006	Kim et al.	2010/0299866	A1 12/2010 Conrad
2006/0230724	A1	10/2006	Han et al.	2011/0023261	A1 2/2011 Proffitt, II et al.
2006/0236663	A1	10/2006	Oh	2011/0146024	A1 6/2011 Conrad
2006/0254226	A1	11/2006	Jeon	2011/0168332	A1 7/2011 Bowe et al.
2006/0277711	A1	12/2006	Hong et al.	2011/0219570	A1 9/2011 Conrad
2006/0278081	A1	12/2006	Han et al.	2011/0219575	A1 9/2011 Conrad
2006/0288516	A1	12/2006	Sawalski	2011/0219576	A1 9/2011 Conrad
2007/0033765	A1	2/2007	Walker et al.	2011/0289719	A1 12/2011 Han et al.
2007/0039292	A1	2/2007	Oh et al.	2011/0308038	A1 12/2011 Rowntree
2007/0067943	A1	3/2007	Makarov	2011/0314630	A1 12/2011 Conrad
2007/0067944	A1	3/2007	Kitamura et al.	2012/0060322	A1 3/2012 Simonelli et al.
2007/0077810	A1	4/2007	Gogel et al.	2012/0079671	A1 4/2012 Stickney et al.
2007/0079473	A1	4/2007	Min et al.	2012/0216361	A1 8/2012 Millington et al.
2007/0079585	A1	4/2007	Oh et al.	2012/0222245	A1 9/2012 Conrad
2007/0084159	A1	4/2007	Oh et al.	2012/0222260	A1 9/2012 Conrad
2007/0095028	A1	5/2007	Kim et al.	2012/0222262	A1 9/2012 Conrad
2007/0095029	A1	5/2007	Min et al.	2012/0304417	A1 12/2012 Riley
2007/0136984	A1	6/2007	Hsu	2013/0091654	A1 4/2013 Smith
2007/0209334	A1	9/2007	Conrad	2013/0091656	A1 4/2013 Smith
2007/0209335	A1	9/2007	Conrad	2013/0091657	A1 4/2013 Smith
2007/0271724	A1	11/2007	Hakan et al.	2013/0091658	A1 4/2013 Smith
2007/0289089	A1	12/2007	Yacobi	2013/0091810	A1 4/2013 Smith
2007/0289266	A1	12/2007	Oh	2013/0091812	A1 4/2013 Smith
2008/0040883	A1	2/2008	Beskow et al.	2013/0091813	A1 4/2013 Smith
2008/0047091	A1	2/2008	Nguyen	2013/0091814	A1 4/2013 Smith
2008/0134460	A1	6/2008	Conrad	2013/0207615	A1 8/2013 Sunderland et al.
2008/0134462	A1	6/2008	Jansen et al.	2013/0269147	A1 10/2013 Conrad
2008/0178416	A1	7/2008	Conrad	2014/0137362	A1 5/2014 Smith
2008/0178420	A1	7/2008	Conrad	2014/0137363	A1 5/2014 Wilson
2008/0190080	A1	8/2008	Oh et al.	2014/0137364	A1 5/2014 Stickney et al.
2008/0196194	A1	8/2008	Conrad	2014/0182080	A1 7/2014 Lee et al.
2008/0196745	A1	8/2008	Conrad	2014/0208538	A1 7/2014 Visel et al.
2008/0256744	A1	10/2008	Rowntree et al.	2014/0237768	A1 8/2014 Conrad
2008/0289306	A1	11/2008	Han et al.	2014/0237956	A1 8/2014 Conrad
2008/0301903	A1	12/2008	Cunningham et al.	2014/0245564	A1 9/2014 Conrad
2009/0019663	A1	1/2009	Rowntree	2015/0135474	A1 5/2015 Gidwell
2009/0100633	A1	4/2009	Bates et al.	2015/0230677	A1 8/2015 Andrikanish
2009/0113659	A1	5/2009	Jeon et al.	2015/0297050	A1 10/2015 Marsh et al.
2009/0113663	A1	5/2009	Follows et al.	2016/0106285	A1* 4/2016 Jenson A47L 9/0477 29/426.1
2009/0144932	A1	6/2009	Yoo	2016/0113455	A1* 4/2016 Horvath A47L 9/12 15/344
2009/0165431	A1	7/2009	Oh	2016/0113460	A1 4/2016 Williams et al.
2009/0205160	A1	8/2009	Conrad	2016/0174785	A1 6/2016 Conrad
2009/0205161	A1	8/2009	Conrad	2016/0174786	A1 6/2016 Conrad
2009/0205298	A1	8/2009	Hyun et al.	2016/0174787	A1 6/2016 Conrad
2009/0209666	A1	8/2009	Hellberg et al.	2016/0206162	A1 7/2016 Conrad
2009/0265877	A1	10/2009	Dyson et al.	2016/0206163	A1 7/2016 Conrad
2009/0282639	A1	11/2009	Dyson et al.	2016/0213212	A1 7/2016 Conrad
2009/0300874	A1	12/2009	Tran et al.	2016/0213213	A1 7/2016 Conrad
2009/0300875	A1	12/2009	Inge et al.	2016/0256023	A1 9/2016 Conrad
2009/0305862	A1	12/2009	Yoo	2016/0316980	A1 11/2016 Conrad
2009/0307564	A1	12/2009	Vedantham et al.	2016/0367094	A1 12/2016 Conrad
2009/0307863	A1	12/2009	Milne et al.	2017/0079489	A1 3/2017 Dimbylow
2009/0307864	A1	12/2009	Dyson	2017/0112343	A1 4/2017 Innes et al.
2009/0307866	A1	12/2009	Witter et al.	2017/0172362	A1 6/2017 Reimer et al.
2009/0308254	A1	12/2009	Oakham	2017/0188763	A1 7/2017 Hu
2009/0313958	A1	12/2009	Gomiciaga-Pereda et al.	2017/0196419	A1 7/2017 Brown et al.
2009/0313959	A1	12/2009	Gomiciaga-Pereda et al.	2017/0196420	A1 7/2017 Brown et al.
2010/0045215	A1	2/2010	Hawker et al.	2017/0196421	A1 7/2017 Brown et al.
2010/0083459	A1	4/2010	Beskow et al.	2017/0196422	A1 7/2017 Brown et al.
2010/0132319	A1	6/2010	Ashbee et al.	2017/0196423	A1 7/2017 Brown et al.
2010/0154150	A1	6/2010	McLeod	2017/0196424	A1 7/2017 Brown et al.
2010/0154367	A1*	6/2010	Luo A47L 5/362 55/337	2017/0196425	A1 7/2017 Brown et al.
2010/0175217	A1	7/2010	Conrad	2017/0196426	A1 7/2017 Brown et al.
2010/0212104	A1	8/2010	Conrad	2017/0196427	A1 7/2017 Brown et al.
2010/0224073	A1	9/2010	Oh et al.	2017/0196428	A1 7/2017 Brown et al.
2010/0229321	A1	9/2010	Dyson et al.	2017/0196429	A1 7/2017 Brown et al.
2010/0229322	A1	9/2010	Conrad	2017/0209007	A1 7/2017 Conrad et al.
				2017/0215663	A1 8/2017 Conrad et al.
				2017/0215664	A1 8/2017 Conrad et al.
				2017/0265696	A1 9/2017 Conrad et al.

(56)

References Cited

U.S. PATENT DOCUMENTS

2017/0290476 A1 10/2017 Conrad
 2017/0290477 A1 10/2017 Conrad
 2017/0290478 A1 10/2017 Conrad
 2017/0290479 A1 10/2017 Conrad
 2017/0290480 A1 10/2017 Conrad
 2017/0290481 A1 10/2017 Conrad
 2018/0000303 A1 1/2018 Conrad et al.
 2018/0184861 A1 7/2018 Brown et al.

FOREIGN PATENT DOCUMENTS

AU 2008201597 A1 11/2008
 AU 2008200579 B2 10/2011
 AU 2008201597 B2 10/2011
 AU 2011211368 B2 9/2012
 CA 1077412 A1 5/1980
 CA 1218962 A1 3/1987
 CA 2450450 A1 12/2004
 CA 2484587 A1 4/2005
 CA 2620703 A1 8/2008
 CA 2628573 A1 10/2008
 CA 2731525 A1 10/2008
 CA 2438079 C 8/2009
 CA 2658014 A1 9/2010
 CA 2659212 A1 9/2010
 CA 2484587 C 1/2011
 CA 2730437 A1 9/2011
 CA 2593950 C 1/2013
 CA 2628573 C 8/2013
 CA 2620703 C 9/2013
 CA 2731525 C 1/2014
 CN 1336154 A 2/2002
 CN 1424688 A 6/2003
 CN 1434688 A 8/2003
 CN 1493244 A 5/2004
 CN 1626025 A 6/2005
 CN 1875846 A 12/2006
 CN 1875855 A 12/2006
 CN 1887437 A 1/2007
 CN 1895148 A 1/2007
 CN 1911151 A 2/2007
 CN 1981688 A 6/2007
 CN 101061932 A 10/2007
 CN 101073480 A 11/2007
 CN 101095604 A 1/2008
 CN 101108081 A 1/2008
 CN 101108106 A 1/2008
 CN 101108110 A 1/2008
 CN 101288572 A 10/2008
 CN 101448447 A 6/2009
 CN 101489453 A 7/2009
 CN 101489455 A 7/2009
 CN 101489457 A 7/2009
 CN 101489461 A 7/2009
 CN 201290642 Y 8/2009
 CN 101657133 A 2/2010
 CN 101700180 A 5/2010
 CN 101822506 A 9/2010
 CN 101108081 B 10/2010
 CN 201683850 U 12/2010
 CN 1911151 B 4/2011
 CN 101243959 B 6/2011
 CN 101700180 B 8/2011
 CN 102188208 A 9/2011
 CN 102256523 A 11/2011
 CN 202173358 U 3/2012
 CN 101489455 B 6/2012
 CN 101489457 B 6/2012
 CN 1981688 B 7/2012
 CN 101288572 B 7/2012
 CN 202739907 U 2/2013
 CN 202932850 U 5/2013
 CN 103169420 A 6/2013
 CN 101073480 B 5/2014
 CN 203724037 U 7/2014

CN 101897558 B 9/2014
 CN 102256523 B 11/2014
 CN 203914775 U 11/2014
 CN 104172986 A 12/2014
 CN 204016180 U 12/2014
 CN 204363891 U 6/2015
 CN 104822301 A 8/2015
 CN 204581145 U 8/2015
 CN 105816104 A 8/2016
 CN 205671986 U 11/2016
 CN 103784081 B 2/2017
 DE 875134 C 4/1953
 DE 9216071 U1 2/1993
 DE 4232382 C1 3/1994
 DE 10056935 C2 1/2003
 DE 10110581 C2 11/2003
 DE 69907201 T2 2/2004
 DE 60201666 T2 6/2006
 DE 60116336 T2 8/2006
 DE 60211663 T2 5/2007
 DE 102007011457 A1 10/2007
 DE 102004028677 B4 1/2008
 DE 602006000726 T2 4/2009
 DE 112007003039 T5 10/2009
 DE 112007003052 T5 1/2010
 DE 112010001135 T5 8/2012
 DE 112012000251 T5 10/2013
 DE 202010018047 U1 11/2013
 DE 102012211246 A1 1/2014
 DE 202010018084 U1 2/2014
 DE 202010018085 U1 2/2014
 EP 489498 A1 6/1992
 EP 493950 B1 4/1998
 EP 1200196 B1 6/2005
 EP 1779761 A2 5/2007
 EP 1815777 A1 8/2007
 EP 1955631 A1 8/2008
 EP 1677661 B1 1/2009
 EP 1594386 B1 4/2009
 EP 1955630 A3 10/2009
 EP 1676516 B1 1/2010
 EP 1629758 A3 2/2010
 EP 2012641 B1 8/2010
 EP 2223644 A2 9/2010
 EP 1955631 B1 11/2010
 EP 2308360 A2 4/2011
 EP 2223644 A3 3/2013
 EP 2581013 A1 4/2013
 EP 2220986 B1 3/2014
 EP 2223644 B1 3/2014
 EP 2848173 A1 3/2015
 EP 2308360 B1 6/2015
 FR 2812531 B1 11/2004
 GB 100791 A 12/1953
 GB 1111074 A 4/1968
 GB 1436403 A 5/1976
 GB 2035787 B 10/1982
 GB 2163703 B 1/1988
 GB 2268875 A 1/1994
 GB 2307849 A 6/1997
 GB 2282979 B 10/1997
 GB 2365324 B 7/2002
 GB 2440111 A 1/2008
 GB 2465781 A 6/2010
 GB 2441962 B 3/2011
 GB 2465781 B 10/2012
 GB 2466290 B 10/2012
 GB 2508035 A 5/2014
 GB 2508035 B 3/2015
 JP 61131720 A 6/1986
 JP 03176019 A 7/1991
 JP 2000140533 A 5/2000
 JP 2002085297 A 3/2002
 JP 2003135335 A 5/2003
 JP 2004313249 A 11/2004
 JP 2005040246 A 2/2005
 JP 2006102034 A 4/2006
 JP 2006272019 A 10/2006
 JP 2008206613 A 9/2008

(56)

References Cited

FOREIGN PATENT DOCUMENTS

JP	4352065	B2	10/2009
JP	2009261501	A	11/2009
JP	2010081968	A	4/2010
JP	2010178773	A	8/2010
JP	2010220632	A	10/2010
JP	2011189132	A	9/2011
JP	2011189133	A	9/2011
JP	2013086228	A	5/2013
JP	2016127893	A	7/2016
KR	1020010024752	A	3/2001
KR	1020010045598	A	6/2001
KR	1020020085478	A	11/2002
KR	1020040050174	A	6/2004
KR	1020040088978	A	10/2004
KR	1020050013696	A	2/2005
KR	1020050054551	A	6/2005
KR	100516420	B1	9/2005
KR	1020050091829	A	9/2005
KR	1020050091830	A	9/2005
KR	1020050091833	A	9/2005
KR	1020050091834	A	9/2005
KR	1020050091835	A	9/2005
KR	1020050091836	A	9/2005
KR	1020050091837	A	9/2005
KR	1020050091838	A	9/2005
KR	1020050103343	A	10/2005
KR	1020050108623	A	11/2005
KR	1020060008365	A	1/2006
KR	1020060112420	A	11/2006
KR	1020060118795	A	11/2006
KR	1020060118800	A	11/2006
KR	1020060118801	A	11/2006
KR	1020060118802	A	11/2006
KR	1020060118803	A	11/2006
KR	1020060119587	A	11/2006
KR	1020060122249	A	11/2006
KR	1020060125952	A	12/2006
KR	1020060125954	A	12/2006
KR	1020100084127	A	7/2010
KR	1020110021554	A	3/2011
NL	10681	C	11/1923
NZ	565800	A	5/2009
NZ	567297	A	7/2009
WO	8002561	A1	11/1980
WO	9627446	A1	9/1996
WO	9720492	A1	6/1997
WO	9809121	A1	3/1998
WO	9843721	A1	10/1998
WO	0107168	A1	2/2001
WO	0147247	A2	6/2001
WO	0147247	A3	11/2001
WO	0217766	A2	3/2002
WO	2002017766	A3	3/2002
WO	0217766	A3	2/2003
WO	2004069021	A1	8/2004
WO	2005084511	A1	9/2005
WO	2006076363	A2	7/2006
WO	2006076363	A3	12/2006
WO	2006026414	A3	8/2007
WO	2008009883	A1	1/2008
WO	2008009888	A1	1/2008
WO	2008009890	A1	1/2008
WO	2008009891	A1	1/2008
WO	2008035032	A2	3/2008
WO	2008035032	A3	6/2008
WO	2008070969	A1	6/2008
WO	2008070970	A1	6/2008
WO	2008070971	A1	6/2008
WO	2008070972	A1	6/2008
WO	2008070973	A1	6/2008
WO	2008070974	A1	6/2008
WO	2008070975	A1	6/2008
WO	2008088278	A2	7/2008
WO	2008135708	A1	11/2008
WO	2009026709	A1	3/2009
WO	2010102396	A1	9/2010
WO	2010142968	A1	12/2010
WO	2010142969	A1	12/2010
WO	2010142970	A1	12/2010
WO	2010142971	A1	12/2010
WO	2010147247	A1	12/2010
WO	2011054106	A1	5/2011
WO	2012042240	A1	4/2012
WO	2012117231	A1	9/2012
WO	2014001496	A1	1/2014
WO	2014131105	A1	9/2014
WO	2015129387	A1	9/2015
WO	2016065151	A1	4/2016
WO	2016095041	A1	6/2016
WO	2016173466	A1	11/2016
WO	2017046557	A1	3/2017
WO	2017046559	A1	3/2017
WO	2017046560	A1	3/2017
WO	2017083497	A1	5/2017

OTHER PUBLICATIONS

English machine translation of CN203724037U published on Aug. 23, 2014.

English machine translation of CN202932850U published on Nov. 9, 2012.

English machine translation of CN202739907U published on Feb. 20, 2013.

English machine translation of CN202173358U published on Mar. 25, 2012.

English machine translation of CN201683850U published on Dec. 29, 2010.

English machine translation of CN105816104A published on Aug. 3, 2016.

English machine translation of CN104822301A published on Aug. 5, 2015.

English machine translation of CN104172986A published on Dec. 3, 2014.

English machine translation of CN103169420A published on Jun. 26, 2013.

English machine translation of CN102256523A published on Nov. 23, 2011.

English machine translation of CN102256523B published on Nov. 5, 2014.

English machine translation of CN102188208A published on Sep. 21, 2011.

English machine translation of CN101897558B published on Sep. 17, 2014.

English machine translation of CN101822506A published on Sep. 8, 2010.

English machine translation of CN101700180A published on May 5, 2010.

English machine translation of CN101700180B published on Aug. 24, 2011.

English machine translation of CN101657133A published on Feb. 24, 2010.

English machine translation of CN101489461A published on Jul. 22, 2009.

English machine translation of CN101489457A published on Jul. 22, 2009.

English machine translation of CN101489457B published on Jun. 27, 2012.

English machine translation of CN101489455A published on Jul. 22, 2009.

English machine translation of CN101489455B published on Jun. 27, 2012.

English machine translation of CN101489453A published on Jul. 22, 2009.

English machine translation of CN101448447A published on Jun. 3, 2009.

English machine translation of CN101288572A published on Oct. 22, 2008.

English machine translation of CN101288572B published on Jul. 4, 2012.

(56)

References Cited

OTHER PUBLICATIONS

English machine translation of CN101243959B published on Jun. 15, 2011.
English machine translation of CN101108110A published on Jan. 23, 2008.
English machine translation of CN101108106A published on Jan. 23, 2008.
English machine translation of CN101108081A published on Jan. 23, 2008.
English machine translation of CN101108081B published on Oct. 27, 2010.
English machine translation of CN101095604A published on Jan. 2, 2008.
English machine translation of CN101073480A published on Nov. 21, 2007.
English machine translation of CN101073480B published on May 14, 2014.
English machine translation of CN101061932A published on Oct. 31, 2007.
English machine translation of CN1981688A published on Jun. 20, 2007.
English machine translation of CN1981688B published on Jul. 4, 2012.
English machine translation of CN1911151A published on Feb. 14, 2007.
English machine translation of CN1911151B published on Apr. 13, 2011.
English machine translation of CN1895148A published on Jan. 17, 2007.
English machine translation of CN1887437A published on Jan. 13, 2007.
English machine translation of CN1875855A published on Dec. 13, 2006.
English machine translation of CN1875846A published on Dec. 13, 2006.
English machine translation of CN1626025A published on Jun. 15, 2005.
English machine translation of CN1493244A published on May 5, 2004.
English machine translation of CN1434688A published on Aug. 6, 2003.
English machine translation of CN1424688A published on Jun. 18, 2003.
English machine translation of CN1336154A published on Feb. 20, 2002.
English machine translation of CN201290642Y published on Aug. 19, 2009.
English machine translation of JP2016127893, published on Jul. 14, 2016.
English machine translation of WO2014001496, published on Jan. 3, 2014.
English machine translation of JP2004313249, published on Nov. 11, 2004.
International Search Report and Written Opinion, received in connection to international patent application No. PCT/CA2018/050782, dated Oct. 2, 2018.
English machine translation of CN103784081, published on Feb. 8, 2017.
English machine translation of KR1020050054551A published on Jun. 10, 2005.
English machine translation of KR1020050013696A published on Feb. 5, 2005.
English machine translation of KR1020040088978A published on Oct. 20, 2004.
English machine translation of KR1020040050174A published on Jun. 16, 2004.
English machine translation of KR1020020085478A published on Nov. 16, 2002.
English machine translation of KR1020020067489A published on Aug. 22, 2002.

English machine translation of KR1020010045598A published on Jun. 5, 2001.
English machine translation of KR1020010024752A published on Mar. 26, 2001.
English machine translation of DE602006000726T2 published on Apr. 16, 2009.
English machine translation of DE202010018085U1 published on Feb. 27, 2014.
English machine translation of DE202010018084U1 published on Feb. 27, 2014.
English machine translation of DE202010018047U1 published on Nov. 14, 2013.
English machine translation of DE112012000251T5 published on Oct. 17, 2013.
English machine translation of DE112010001135T5 published on Aug. 2, 2012.
English machine translation of DE112007003052T5 published on Jan. 14, 2010.
English machine translation of DE112007003039T5 published on Oct. 29, 2009.
English machine translation of DE102012211246A1 published on Jan. 2, 2014.
English machine translation of DE102007011457A1 published on Oct. 25, 2007.
English machine translation of DE102004028677B4 published on Jan. 10, 2008.
English machine translation of JP2013086228A published on May 13, 2013.
English machine translation of JP2011189133A published on Sep. 29, 2011.
English machine translation of JP2011189132A published on Sep. 29, 2011.
English machine translation of JP2010220632A published on Oct. 7, 2010.
English machine translation of JP2010178773A published on Aug. 19, 2010.
English machine translation of JP2010081968A published on Apr. 15, 2010.
English machine translation of JP2009261501A published on Nov. 12, 2009.
English machine translation of JP2008206613A published on Sep. 11, 2008.
English machine translation of JP2006272019A published on Oct. 12, 2006.
English machine translation of JP2006102034A published on Apr. 20, 2006.
English machine translation of JP2005040246A published on Feb. 17, 2005.
English machine translation of JP2003135335A published on May 13, 2003.
English machine translation of JP2002085297A published on Mar. 26, 2002.
English machine translation of JP2000140533A published on May 23, 2000.
English machine translation of CN205671986U published on Nov. 9, 2016.
English machine translation of CN204581145U published on Aug. 26, 2015.
English machine translation of CN204363891U published on Jun. 3, 2015.
English machine translation of CN204016180U published on Dec. 17, 2014.
English machine translation of DE69907201T2 published on Feb. 5, 2004.
English machine translation of JP61131720A published on Jun. 19, 1986.
English machine translation of DE60211663T2 published on May 10, 2007.
English machine translation of DE60201666T2 published on Jun. 1, 2006.
English machine translation of DE60116336T2 published on Aug. 31, 2006.

(56)

References Cited

OTHER PUBLICATIONS

English machine translation of DE10110581C2 published on Nov. 13, 2003.

English machine translation of DE10056935C2 published on Jan. 16, 2003.

English machine translation of DE9216071U1 published on Feb. 25, 1993.

English machine translation of JP4352065B2 published on Oct. 28, 2009.

English machine translation of DE4232382C1 published on Mar. 24, 1994.

English machine translation of JP03176019A published on Jul. 31, 1991.

English machine translation of DE875134C published on Apr. 30, 1953.

English machine translation of KR1020110021554A published on Mar. 4, 2011.

English machine translation of KR1020100084127A published on Jul. 23, 2010.

English machine translation of KR1020060125954A published on Dec. 7, 2006.

English machine translation of KR1020060125952A published on Dec. 7, 2006.

English machine translation of KR1020060122249A published on Nov. 30, 2006.

English machine translation of KR1020060119587A published on Nov. 24, 2006.

English machine translation of KR1020060118803A published on Nov. 24, 2006.

English machine translation of KR1020060118802A published on Nov. 24, 2006.

English machine translation of KR1020060118801A published on Nov. 24, 2006.

English machine translation of KR1020060118800A published on Nov. 24, 2006.

English machine translation of KR1020060118795A published on Nov. 25, 2006.

English machine translation of KR1020060112420A published on Nov. 1, 2006.

English machine translation of KR1020060008365A published on Jan. 26, 2006.

English machine translation of KR1020050108623A published on Nov. 17, 2005.

English machine translation of KR1020050103343A published on Oct. 31, 2005.

English machine translation of KR1020050091838A published on Sep. 15, 2005.

English machine translation of KR1020050091837A published on Sep. 15, 2005.

English machine translation of KR1020050091836A published on Sep. 15, 2005.

English machine translation of KR1020050091835A published on Sep. 15, 2005.

English machine translation of KR1020050091834A published on Sep. 15, 2005.

English machine translation of KR1020050091833A published on Sep. 15, 2005.

English machine translation of KR1020050091830A published on Sep. 15, 2005.

English machine translation of KR1020050091829A published on Sep. 15, 2005.

Office Action dated Jul. 7, 2010, for Canadian Patent Application No. 2,675,714.

The Office Action received in connection to the corresponding US Patent Application No. 200880126486.6 dated Mar. 23, 2012.

The Office Action received in connection to the related Chinese Patent Application No. 00813438.3 dated Jul. 11, 2003.

Combined Search and Examination Report under Sections 17 & 18(3) received in connection to the corresponding GB Patent Application No. 1522195.5 dated Jun. 16, 2016.

Combined Search and Examination Report under Sections 17 & 18(3) received in connection to the corresponding GB Patent Application No. 1706875.0 dated May 25, 2017.

European Communication pursuant to Article 94(3) on European Patent Application No. 04078261.7, dated Apr. 24, 2012.

European Communication pursuant to Article 94(3) on European Patent Application No. 04078261.7, dated Feb. 26, 2010.

Cheremisinoff, Nicholas P.: "Handbook of air pollution prevention and control", Butterworth-Heinemann, ISBN 0-7506-7499-7; pp. 397-404; Copyright © 2002.

Instruction manual: Makita Cordless Cleaner, Handy Vac II, Model 4071D; Oct. 1993.

Instruction Manual: Cordless Cleaner BCL 180.

International Search Report and Written Opinion Report on International application No. PCT/CA2015/051332, dated Mar. 7, 2016.

International Preliminary Report on Patentability in International Application No. PCT/CA2015/051332 dated Jun. 29, 2017.

International Preliminary Examination Report on International application No. PCT/CA00/00873, dated Oct. 26, 2001.

International Preliminary Report on Patentability, dated Sep. 16, 2008 for International application No. PCT/CA2007/000380.

International Search Report and Written Opinion received in connection to International patent application No. PCT/CA2007/002211, dated Apr. 21, 2008.

International Search Report and Written Opinion received in connection to international patent application No. PCT/CA2015/050661, dated Oct. 19, 2015.

International Search Report and Written Opinion received in connection to International Patent Application No. PCT/CA2014/000133, dated May 26, 2014.

Euro-Pro Shark Cordless Hand Vac Owner's Manual, published in 2002.

Supplementary European Search Report, dated Jun. 16, 2009, as received on the corresponding EP application No. 07719394.4.

International Search Report and Written Opinion received in connection to International patent application No. PCT/CA2017/050436, dated Jul. 21, 2017.

International Search Report and Written Opinion received in connection to International patent application No. PCT/CA2017/050014, dated Apr. 5, 2017.

English machine translation of WO2016173466A1 published on Nov. 3, 2016.

English machine translation of WO2015129387A1 published on Sep. 3, 2015.

English machine translation of WO8002561A1 published on Nov. 27, 1980.

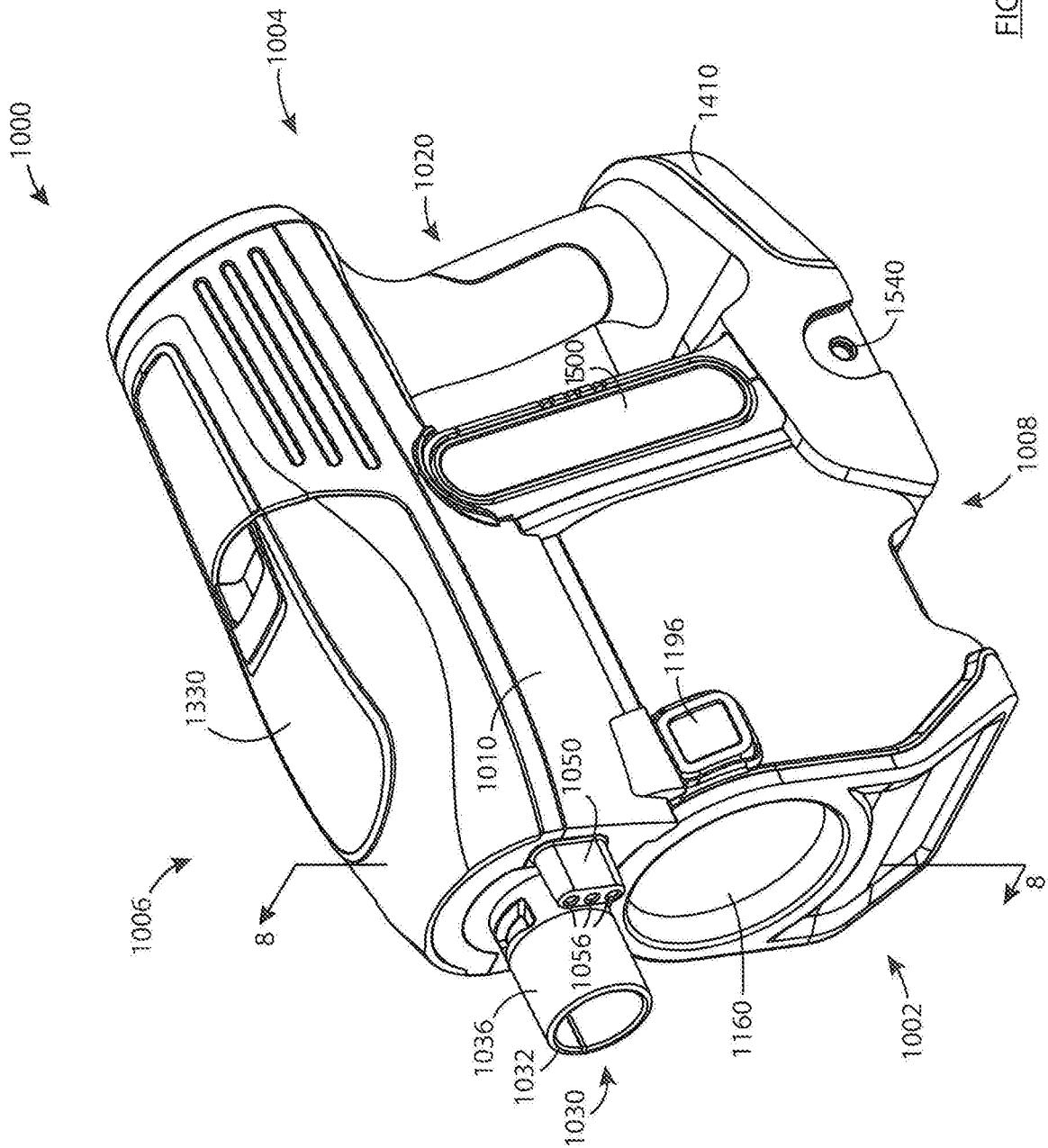
English machine translation of WO2010147247A1 published on Dec. 23, 2010.

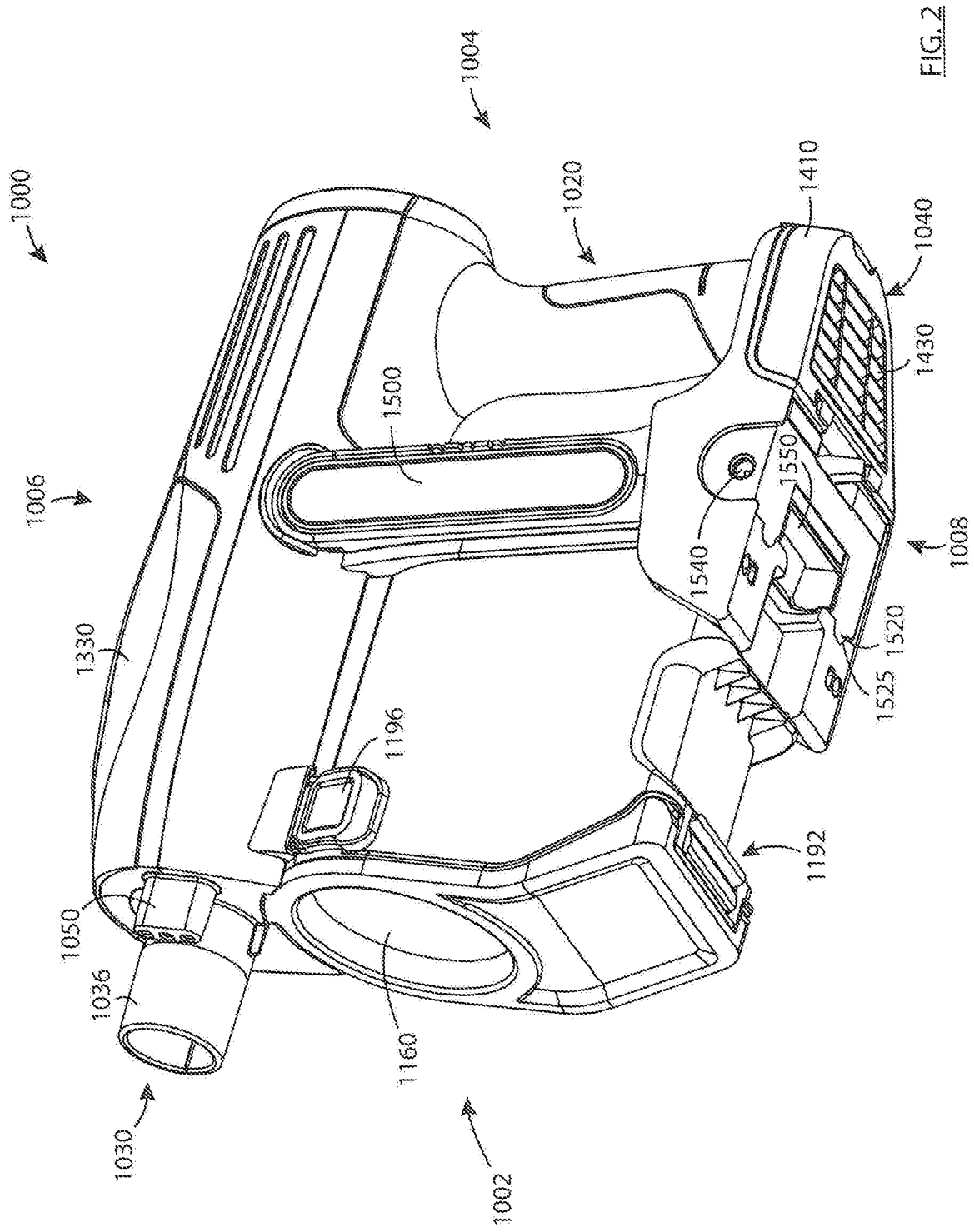
English machine translation of NL10681C published on Nov. 17, 1923.

English machine translation of FR2812531B1 published on Nov. 5, 2004.

English machine translation of EP1815777A1 published on Aug. 8, 2007.

* cited by examiner





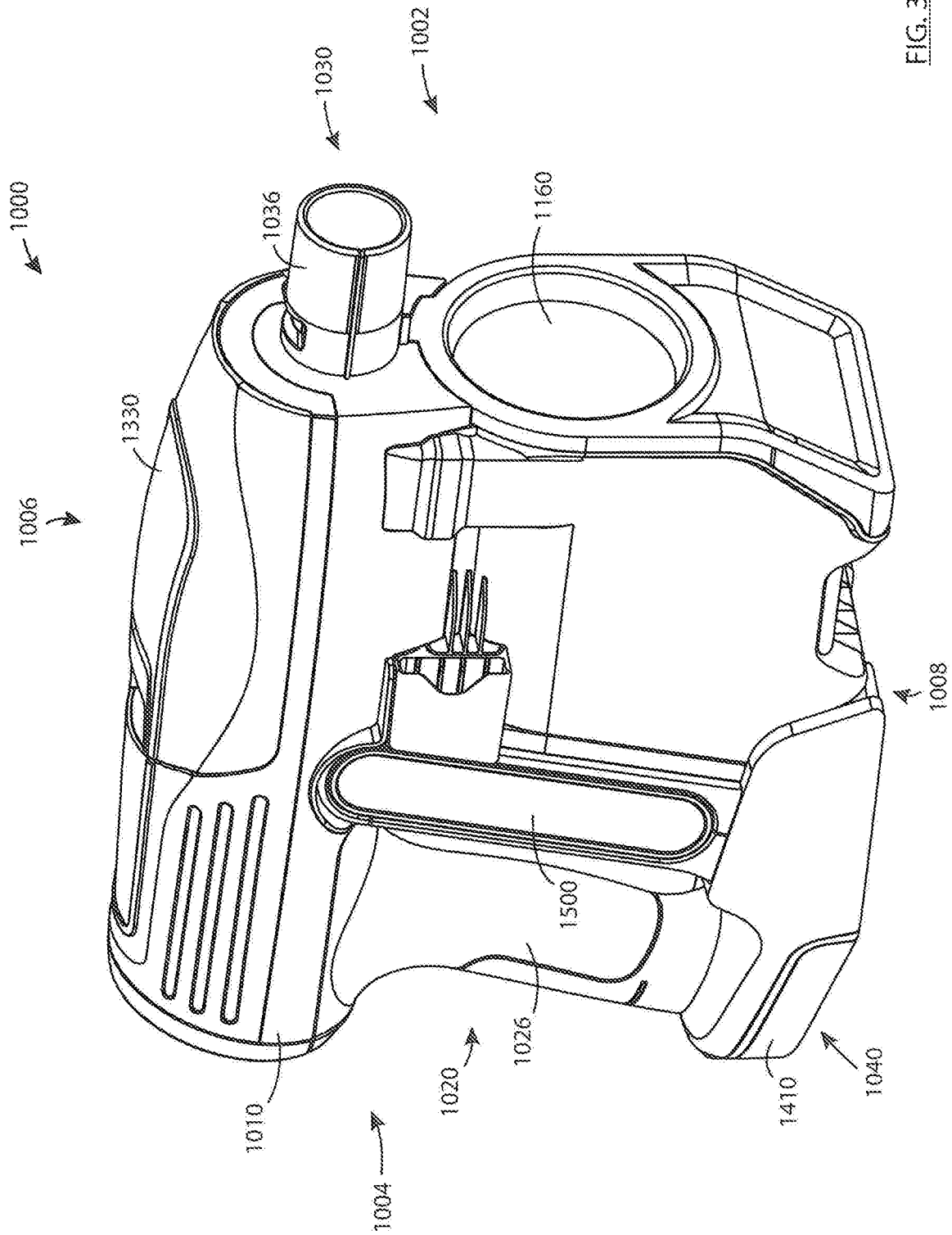


FIG. 3

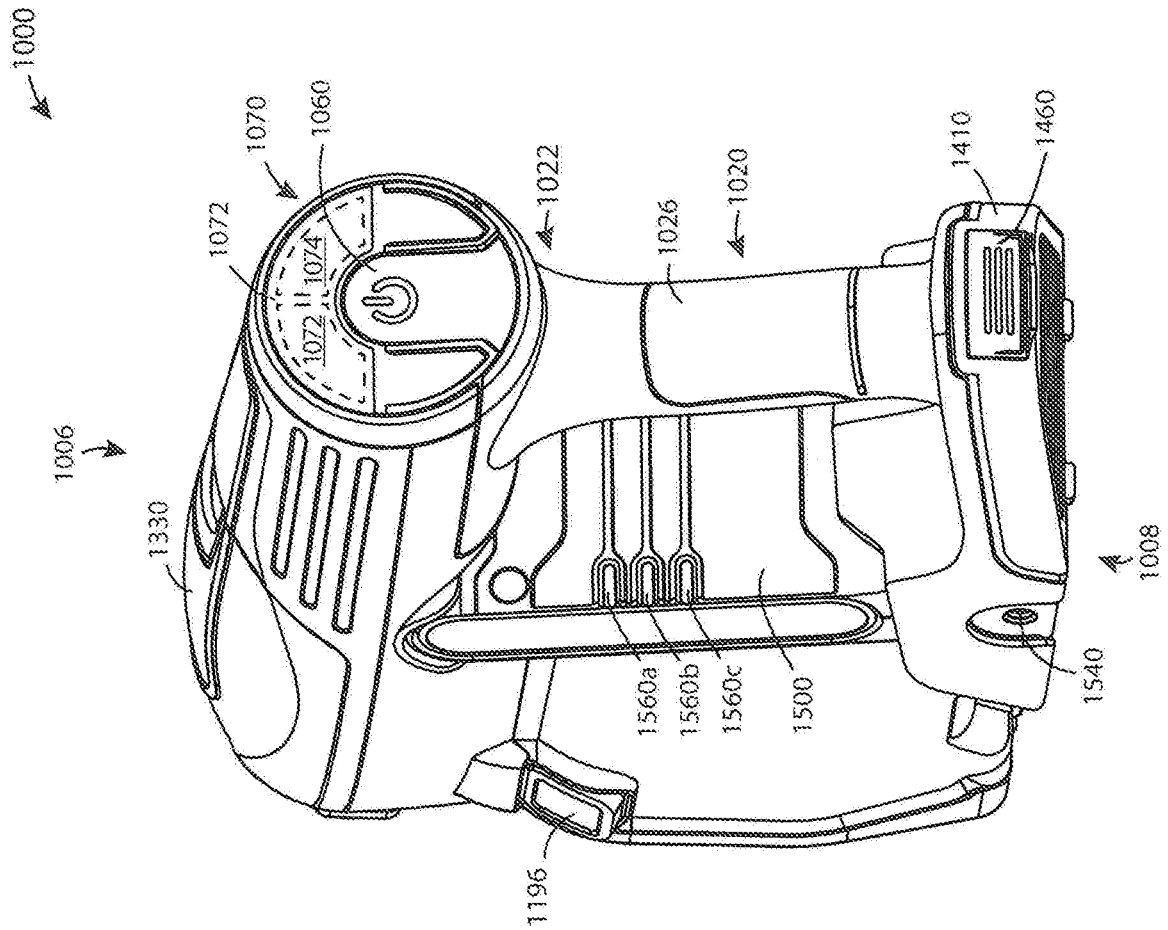


FIG. 4

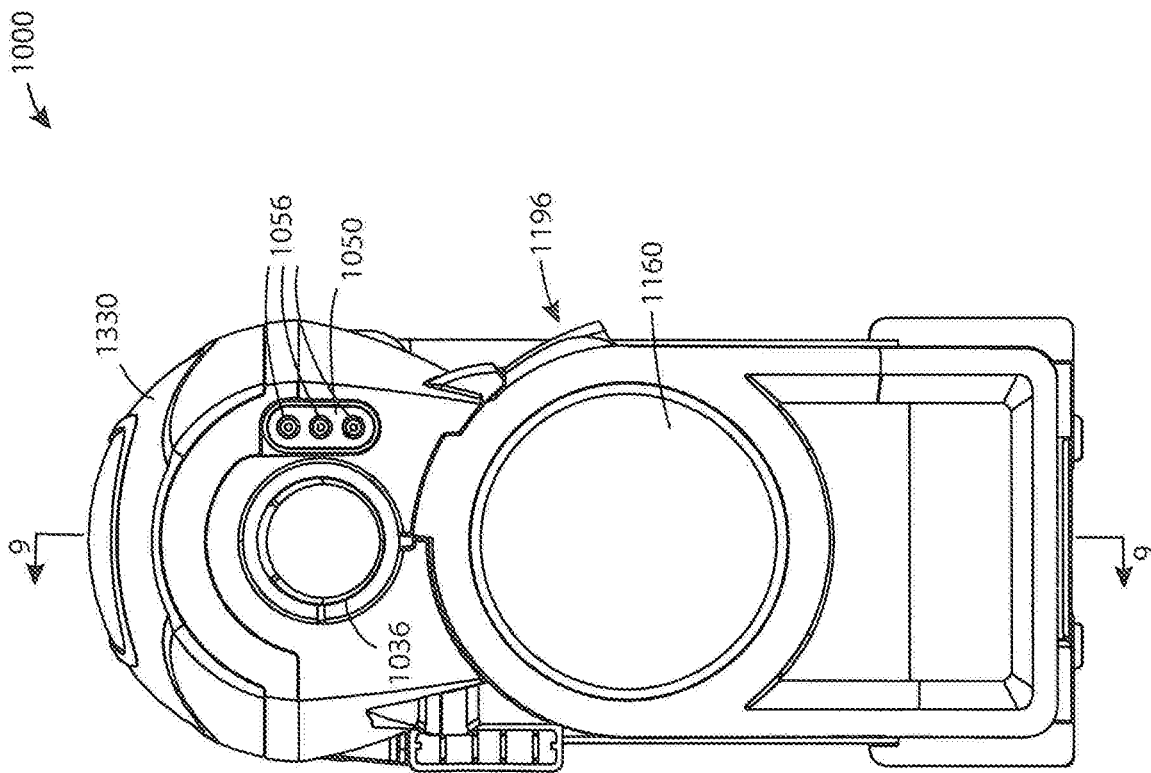


FIG. 5

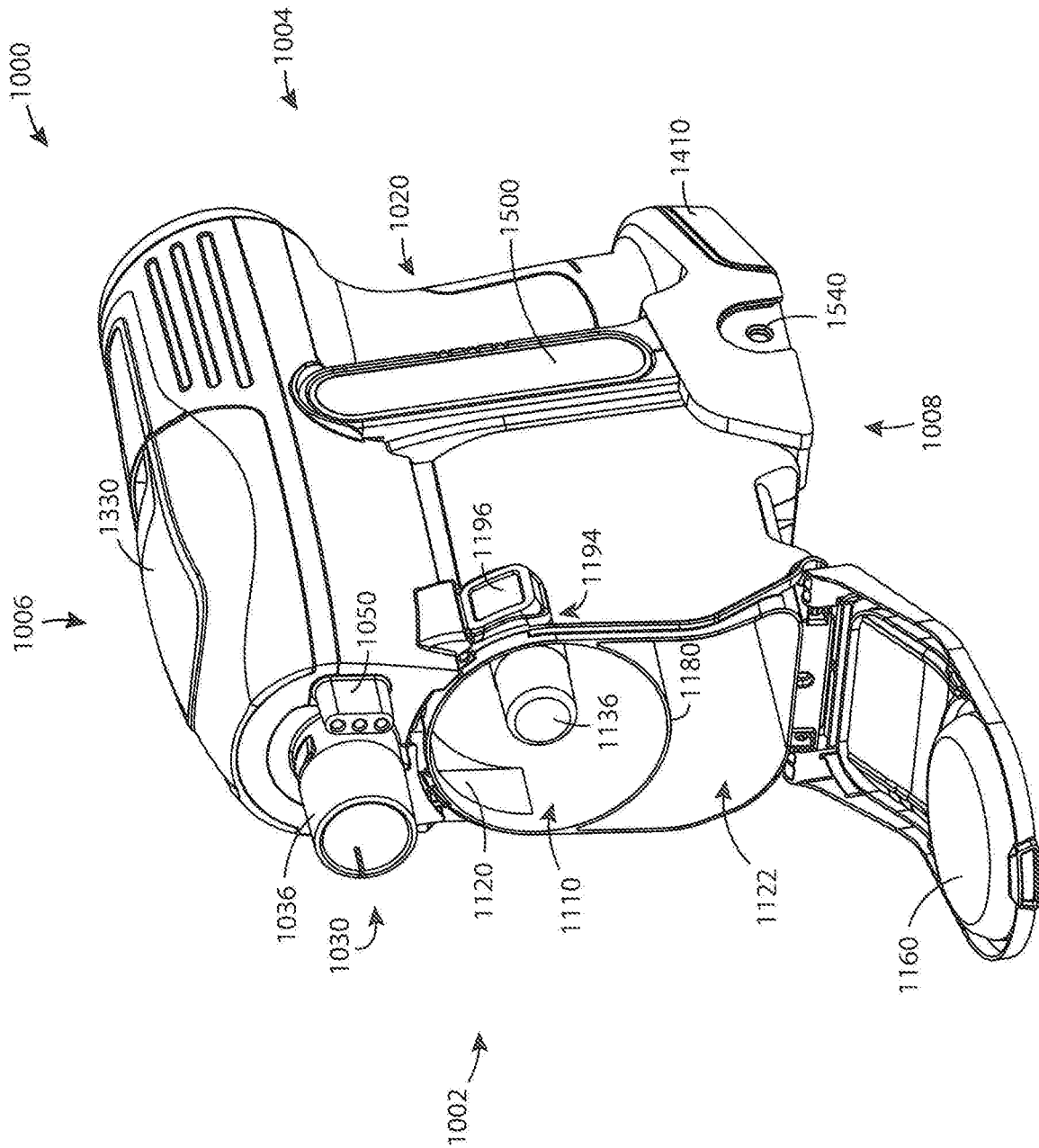


FIG. 6

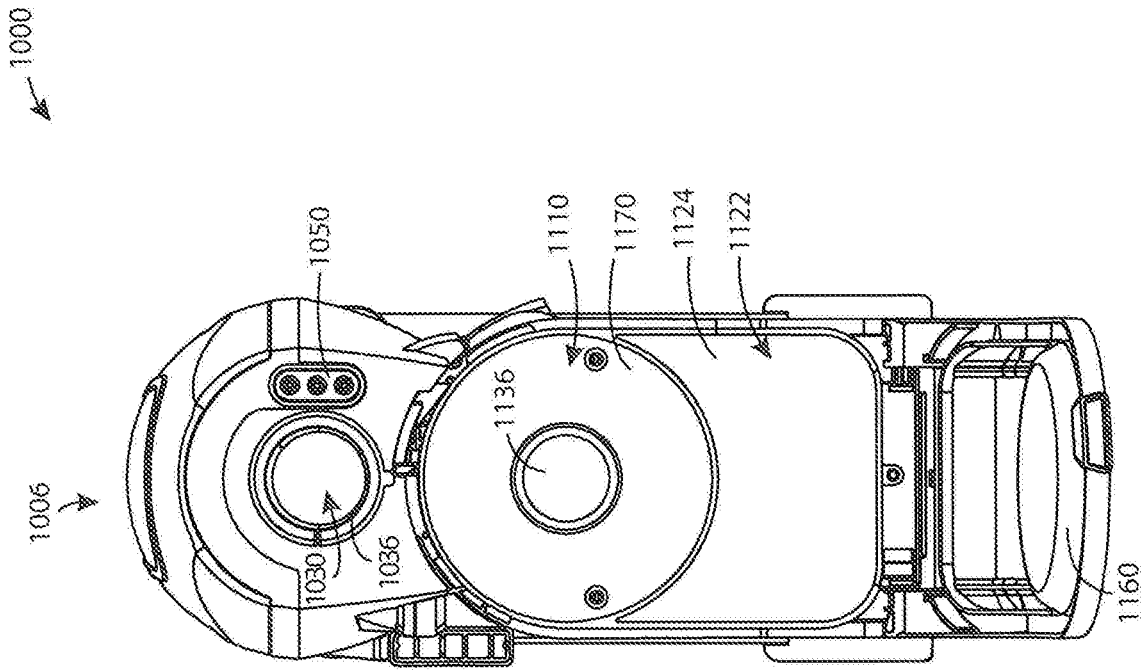


FIG. 7

1000

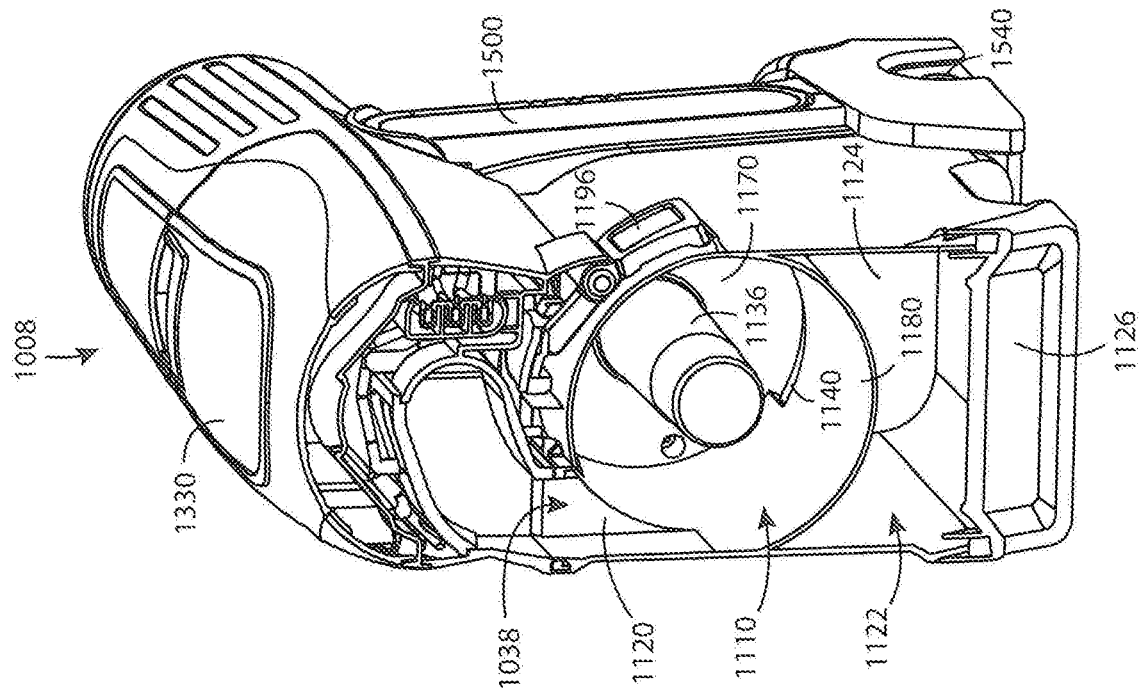


FIG. 8

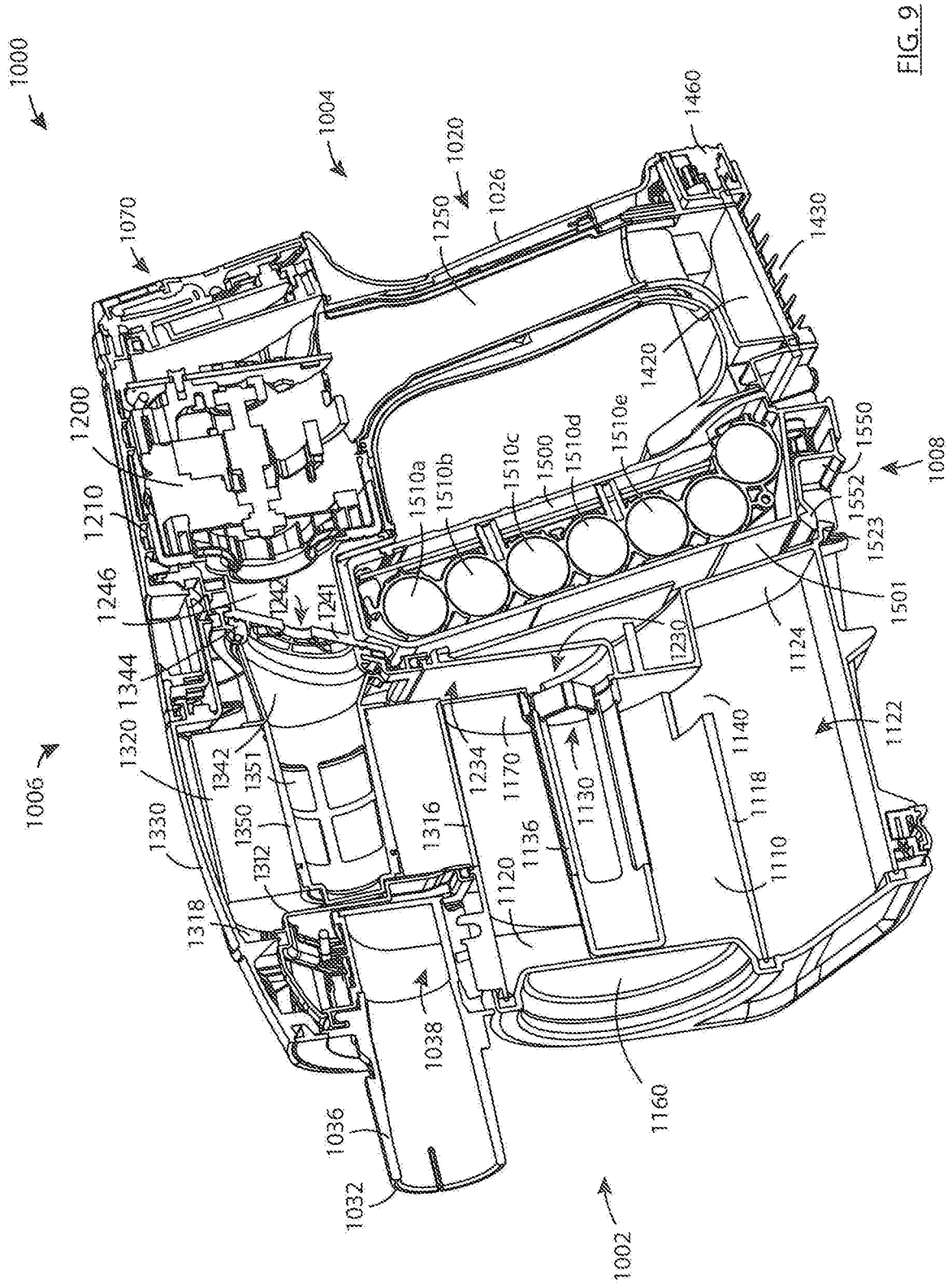
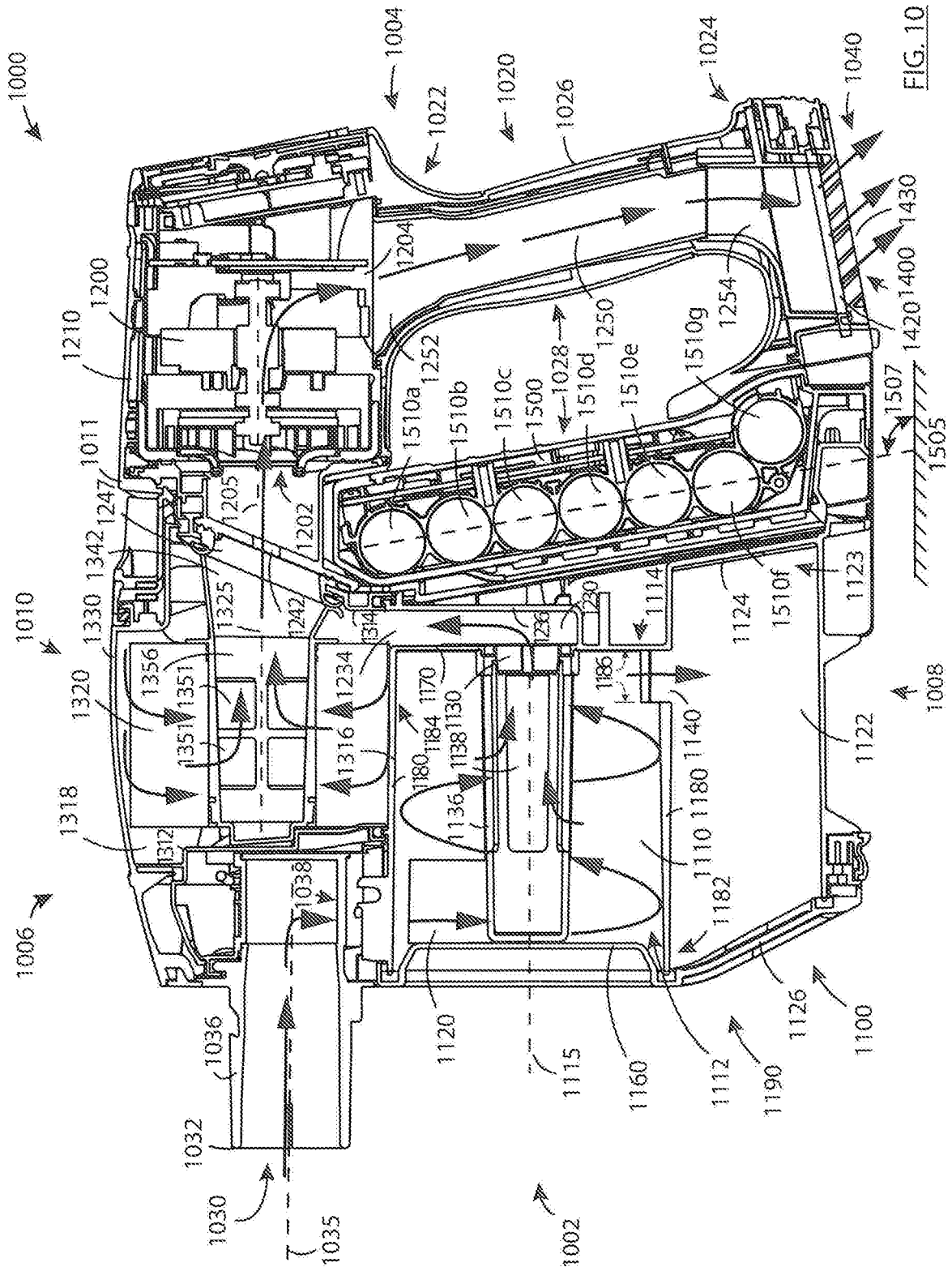


FIG. 9



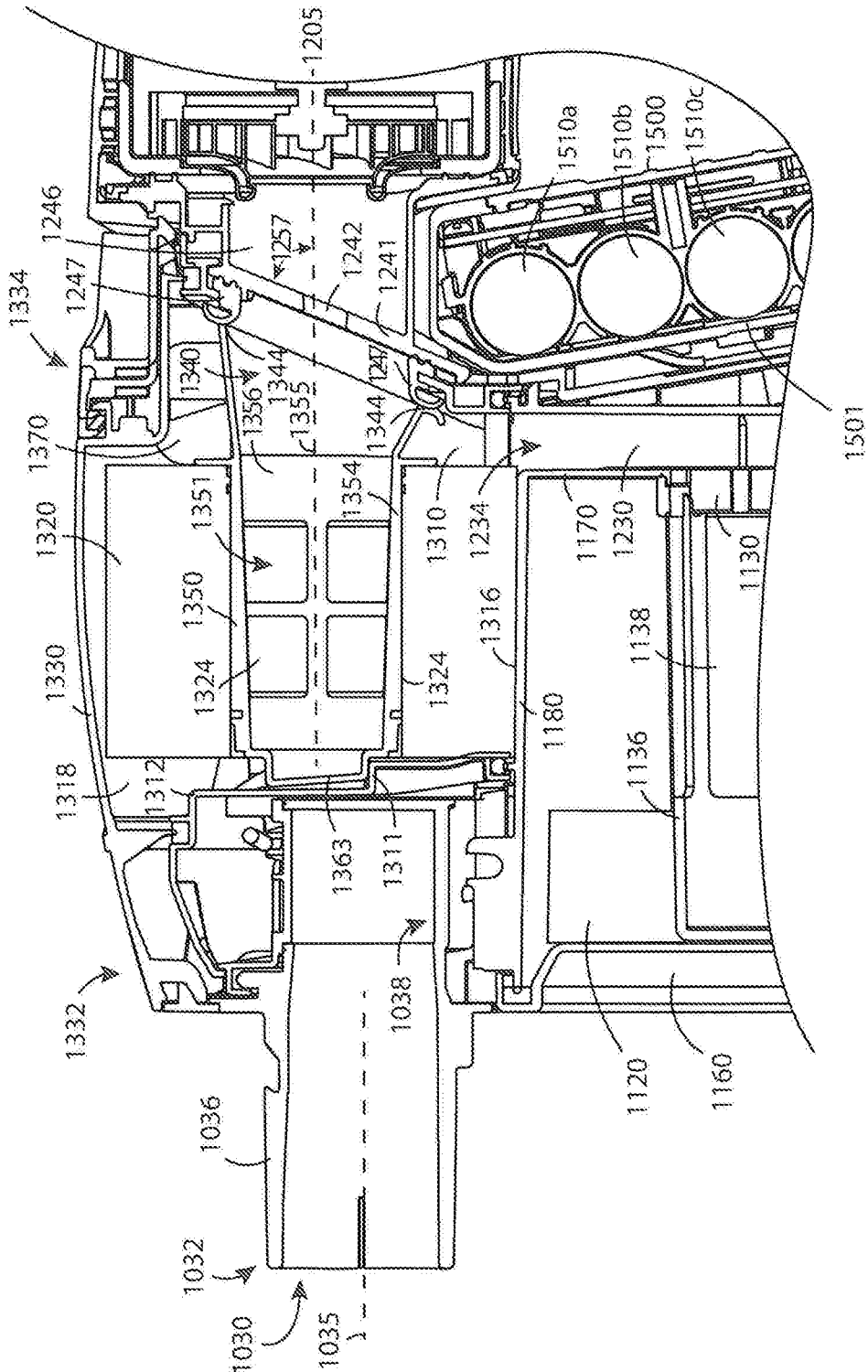


FIG. 11

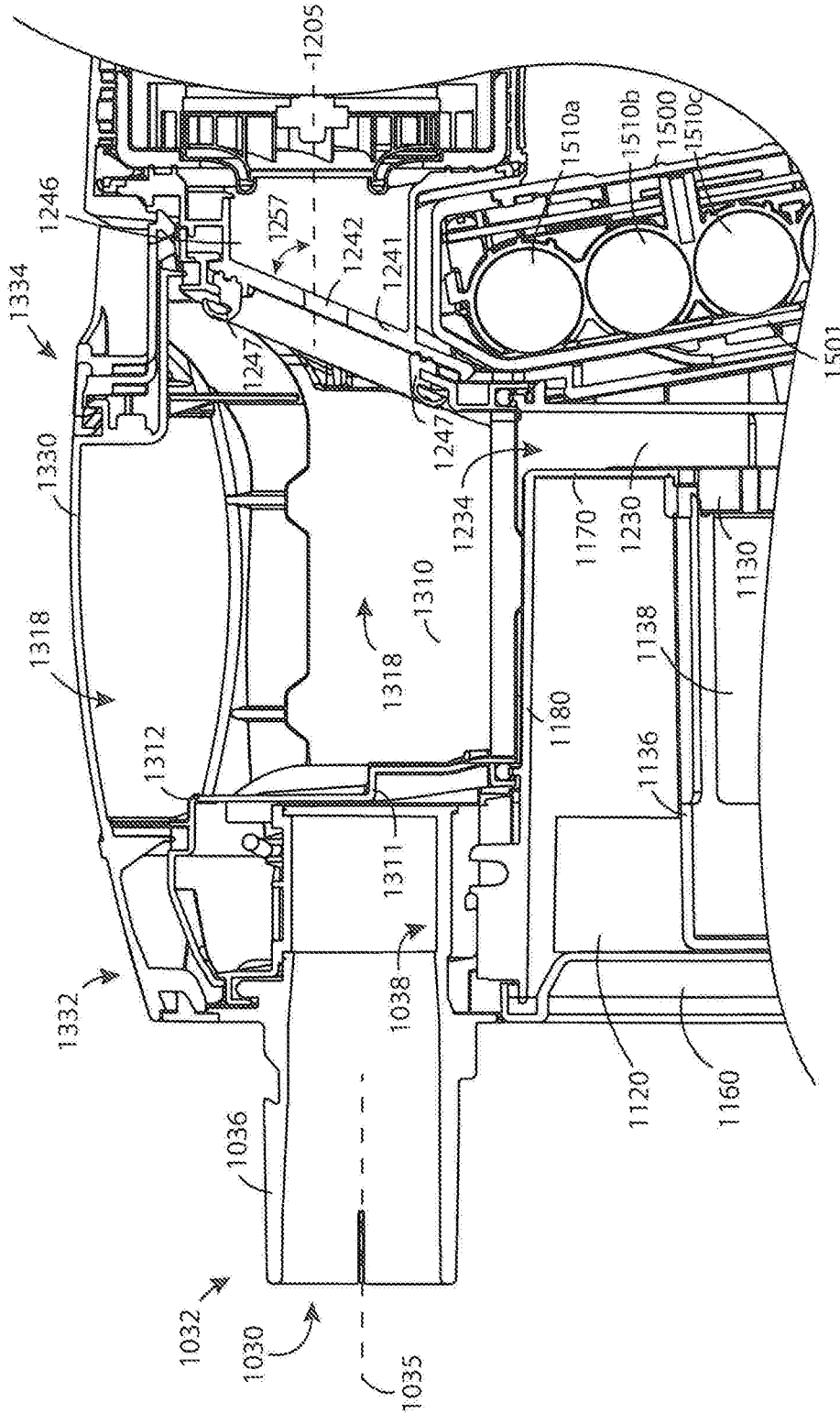


FIG. 12

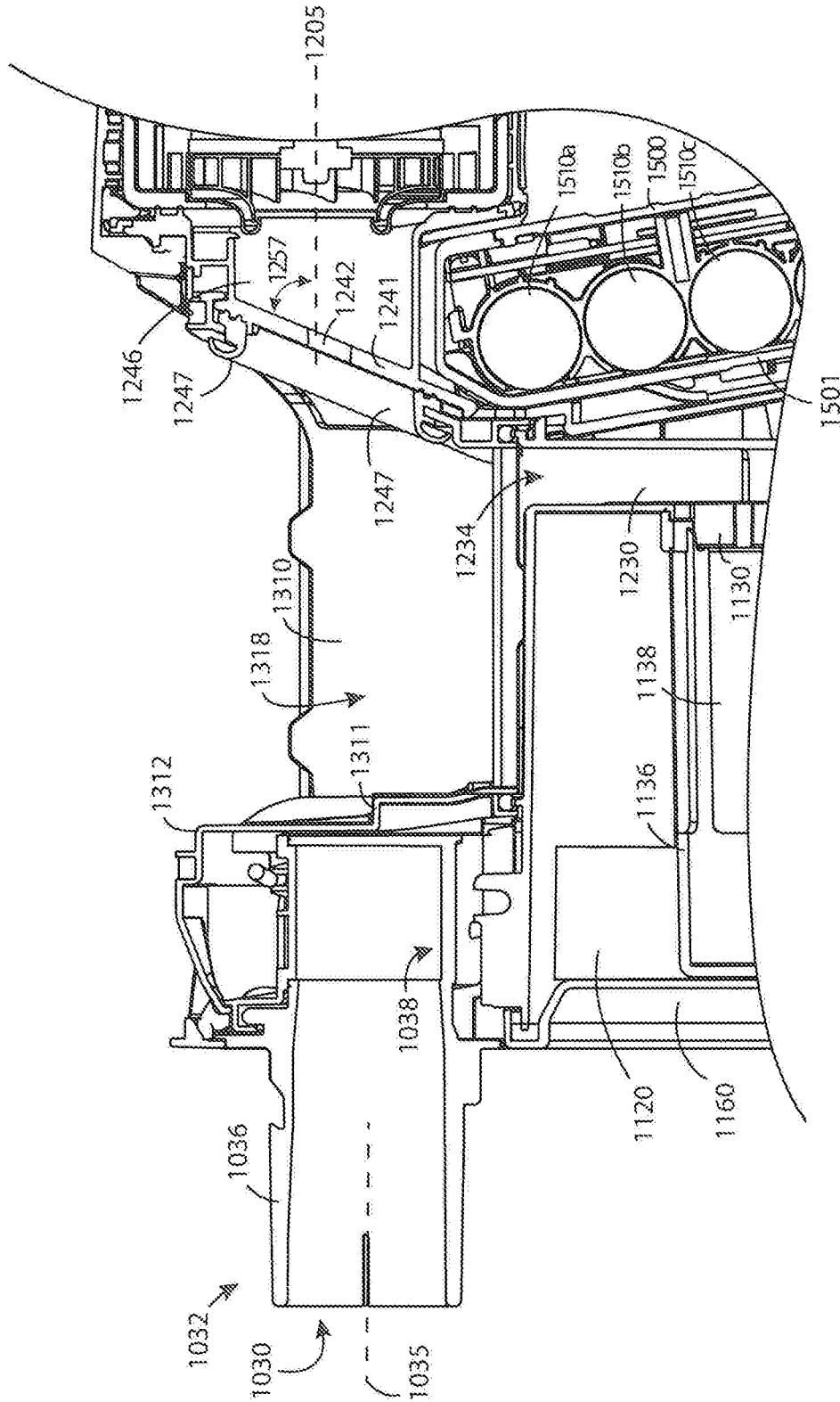


FIG. 13

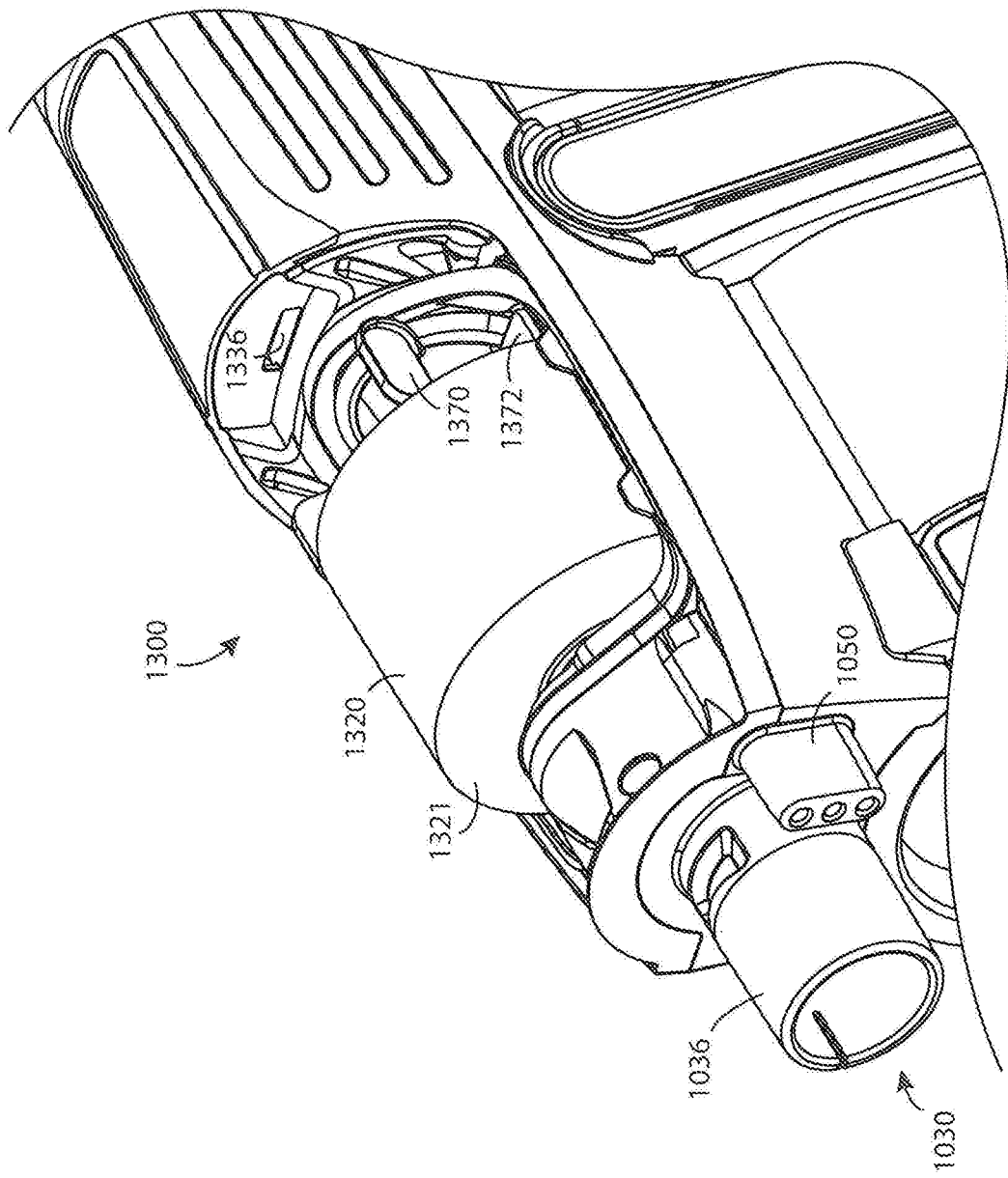


FIG. 14

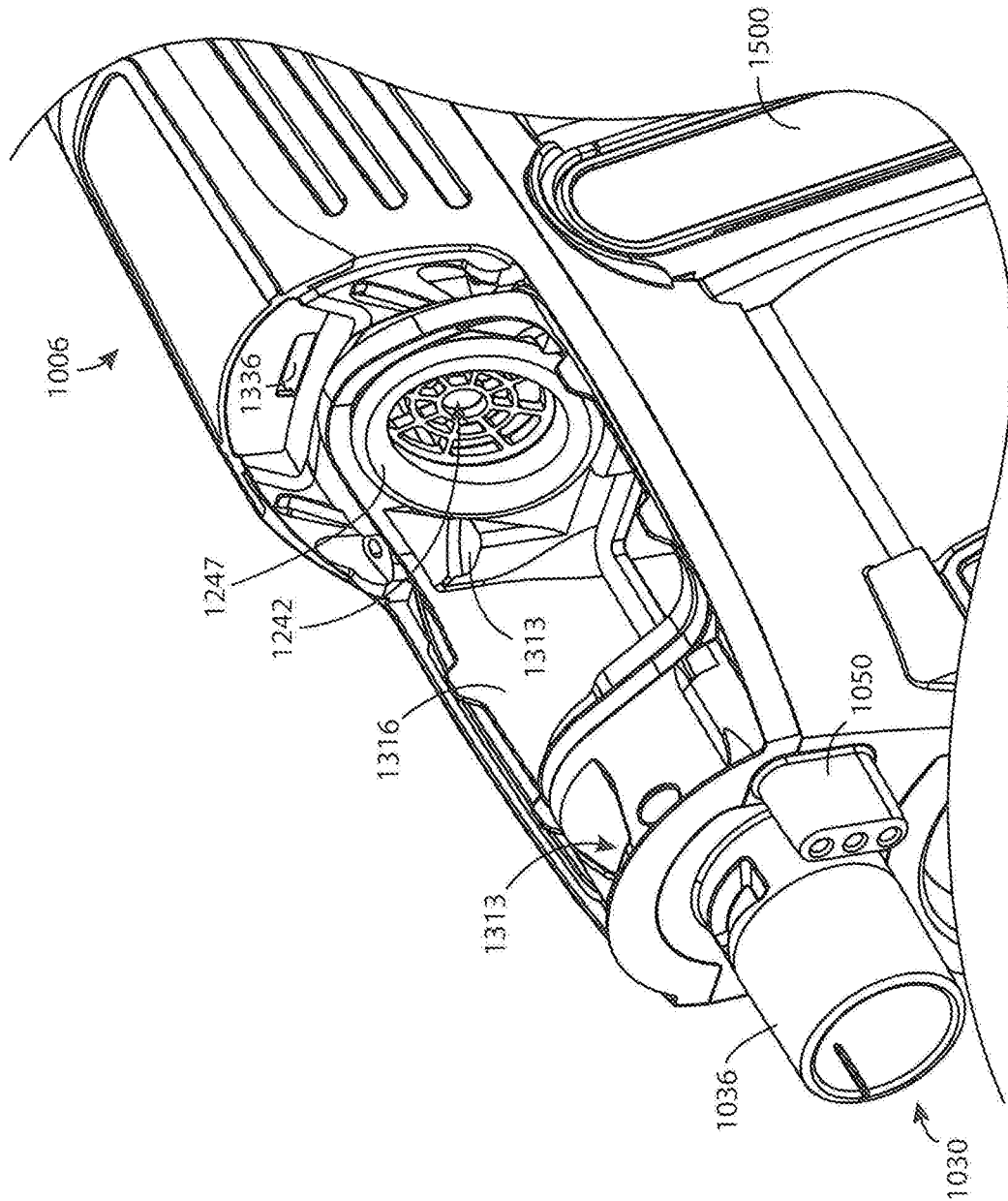


FIG. 15

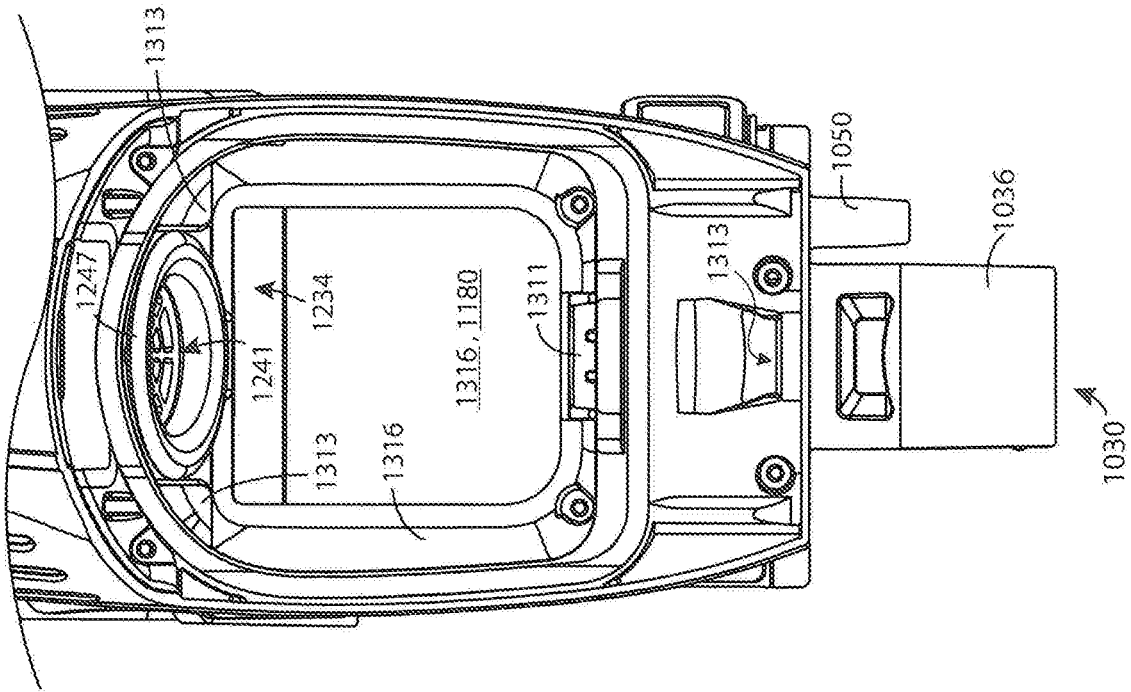


FIG. 16

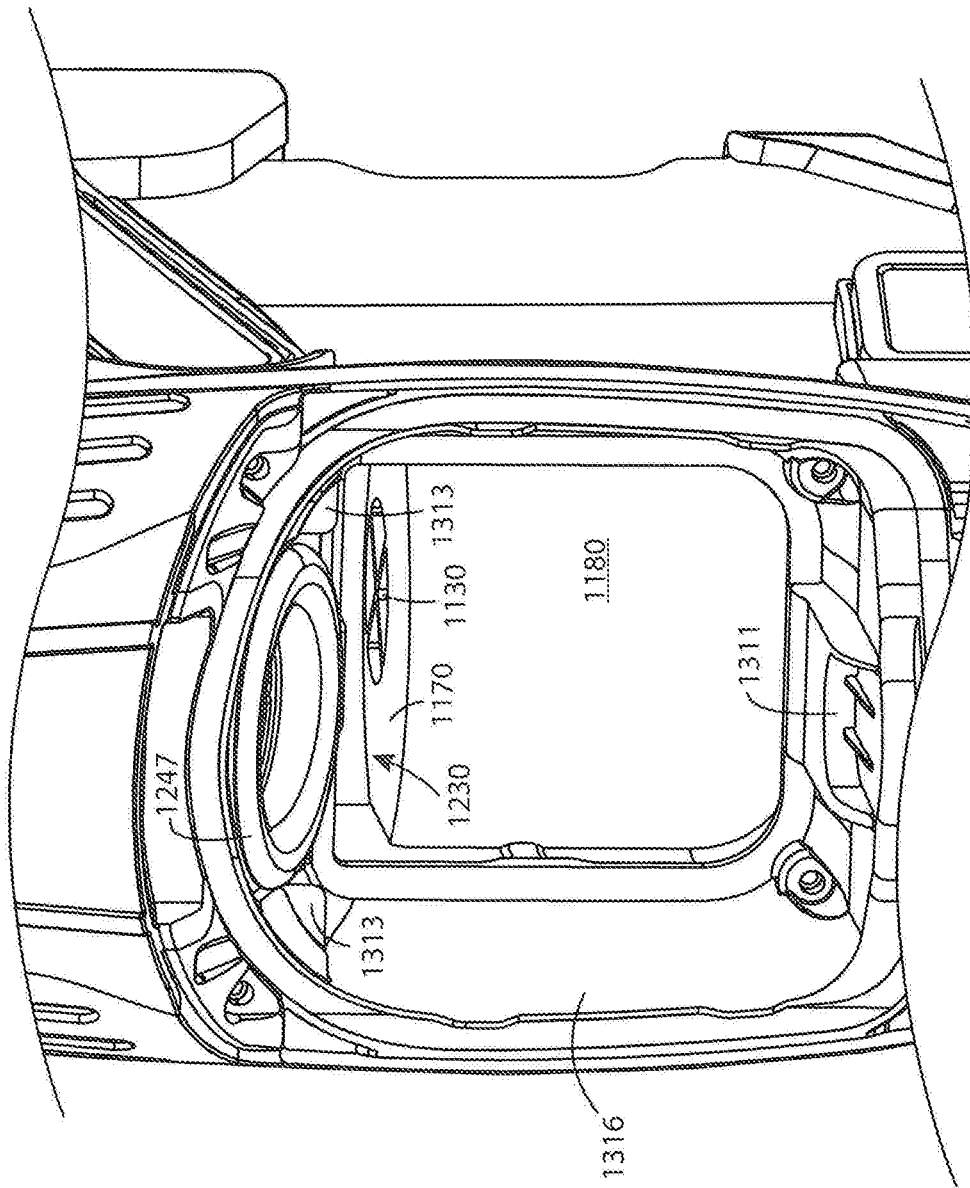


FIG. 17

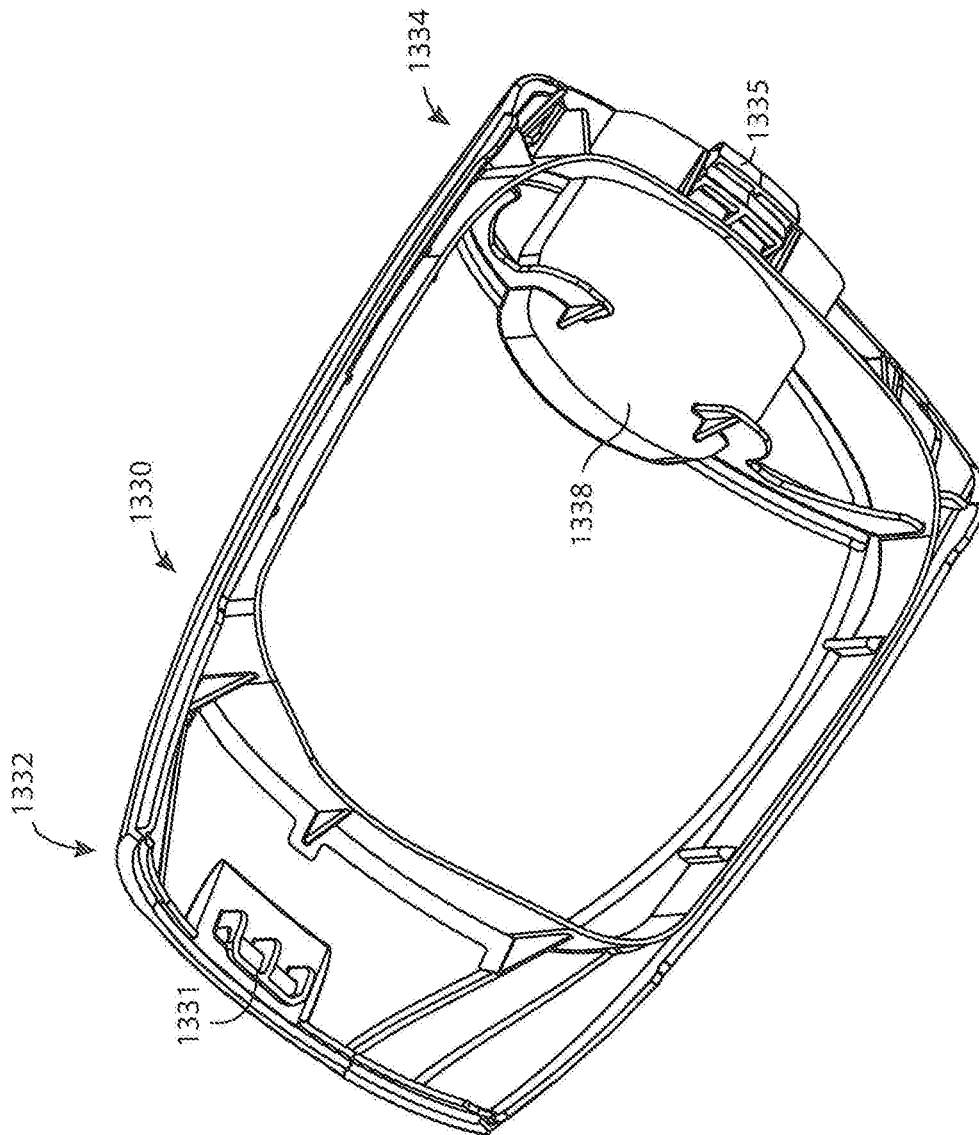


FIG. 18

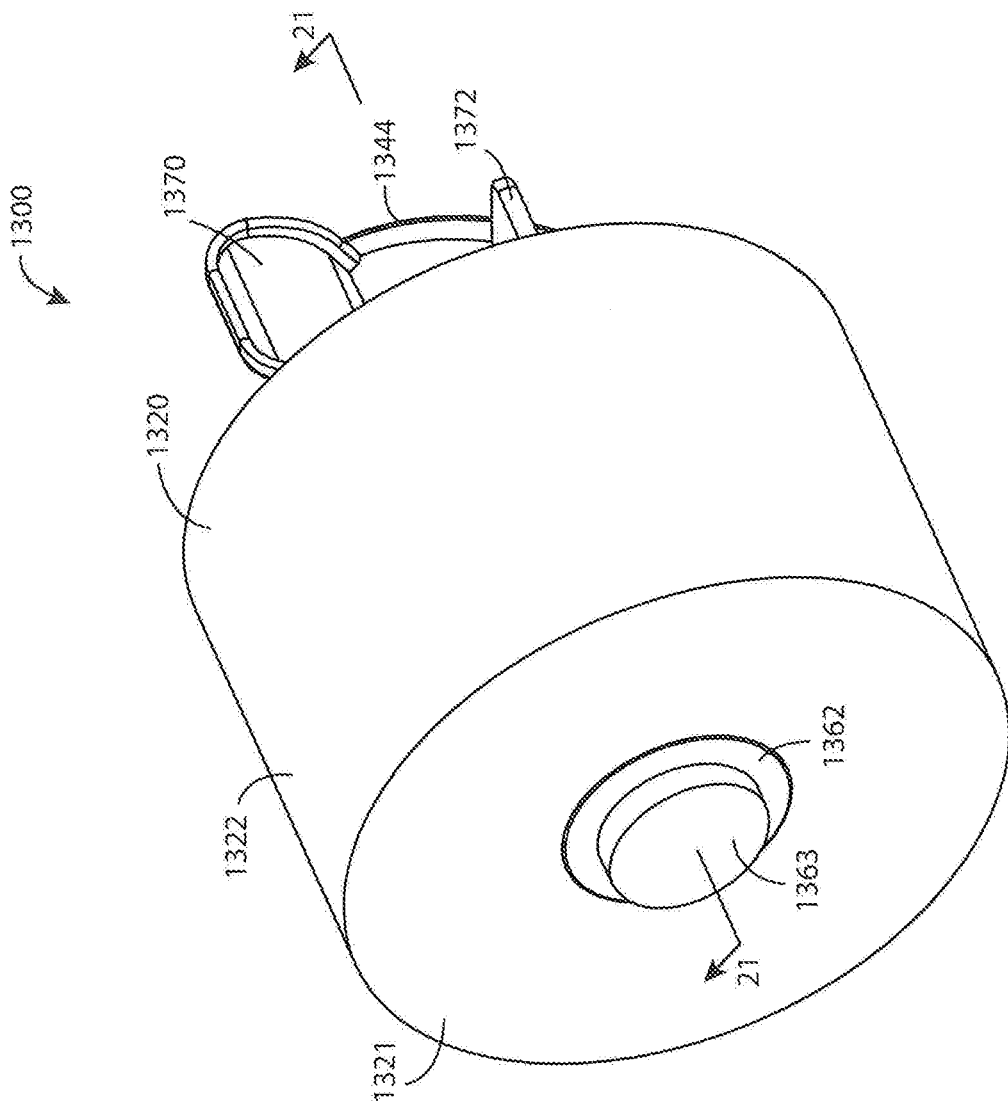


FIG. 19

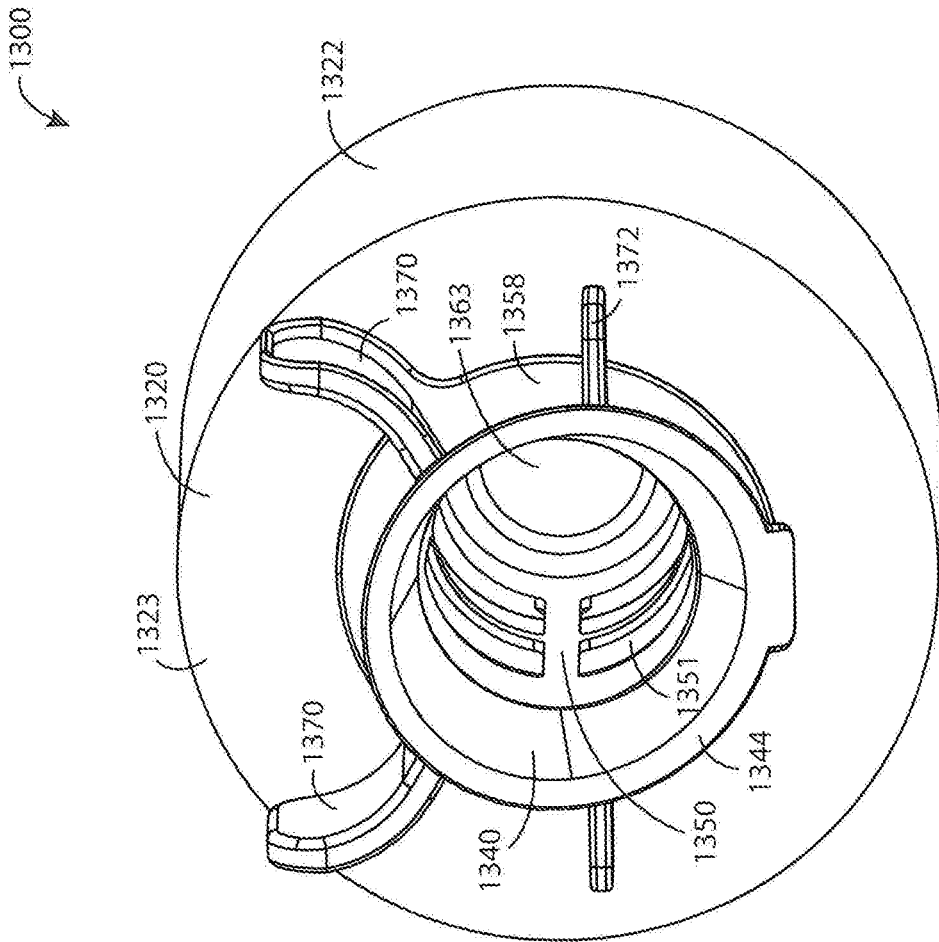


FIG. 20

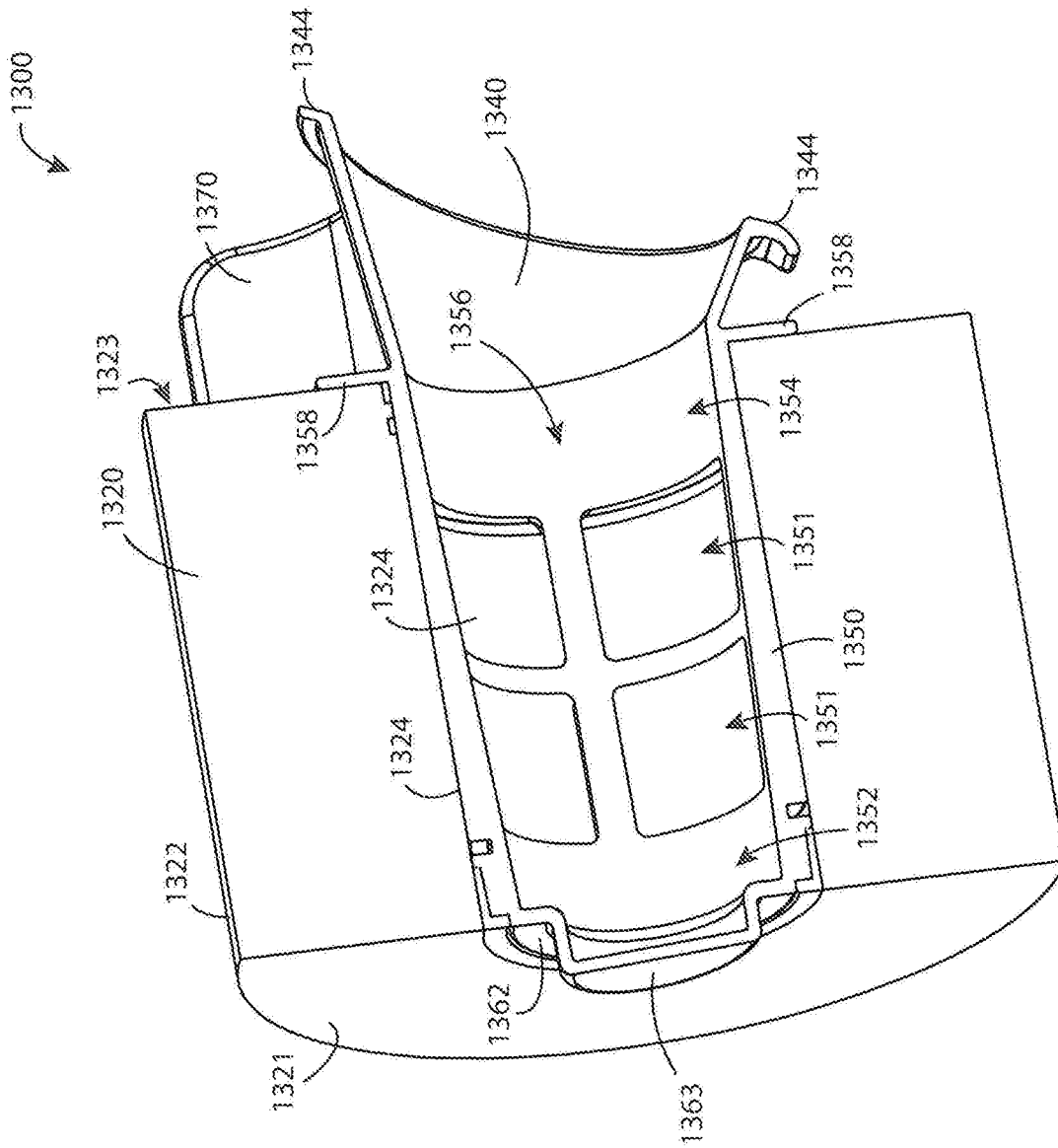


FIG. 21

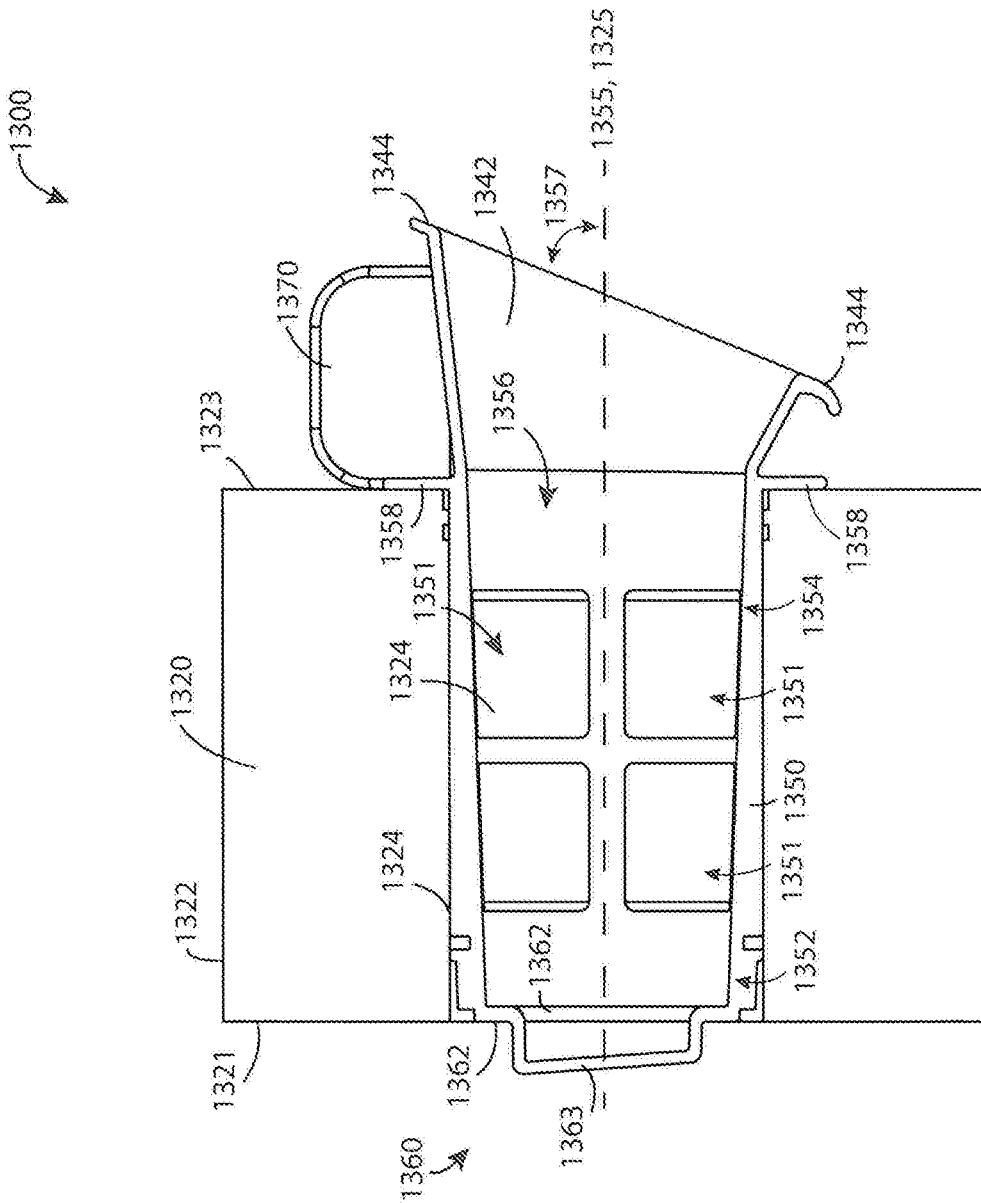


FIG. 22

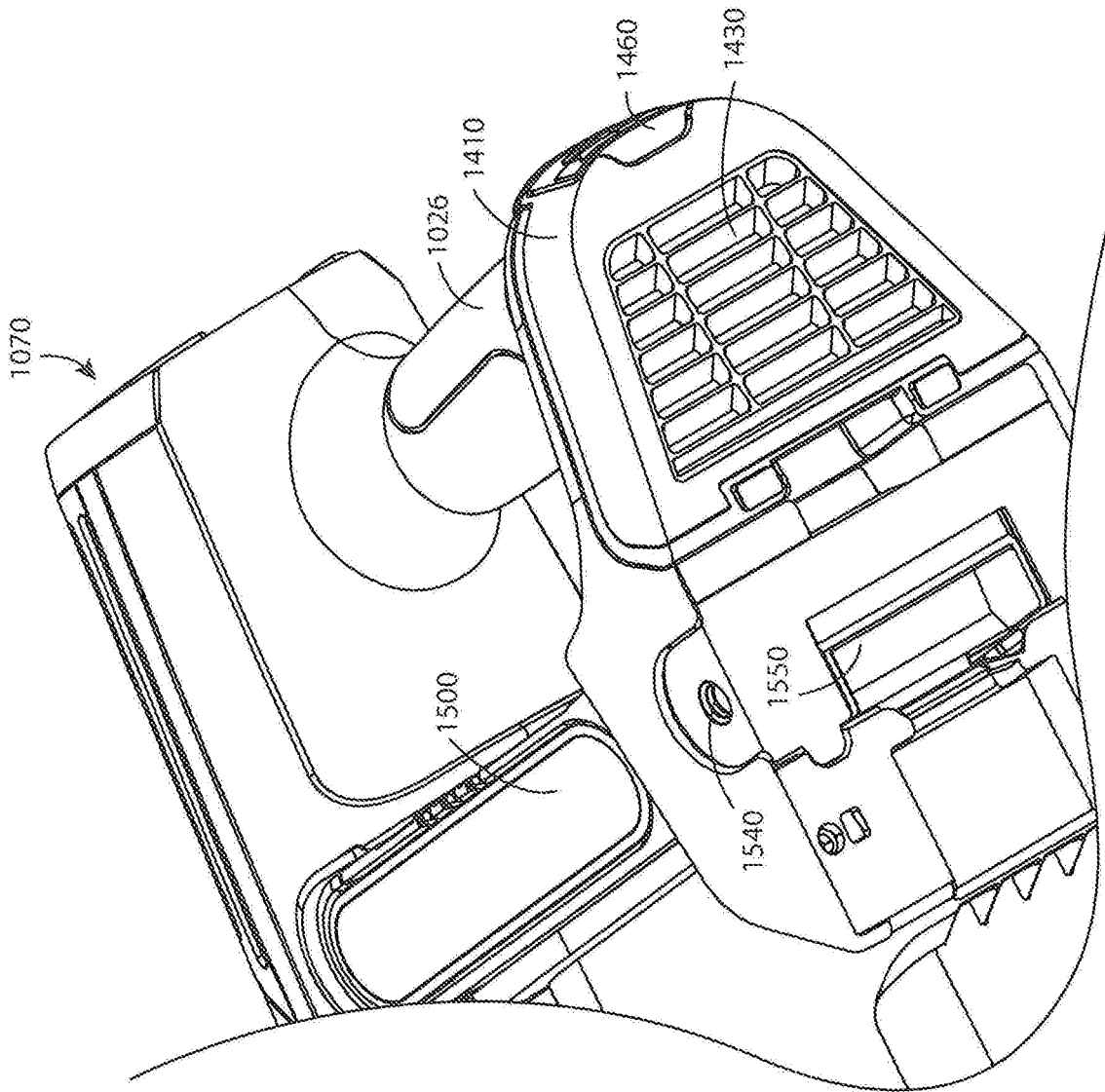


FIG. 23

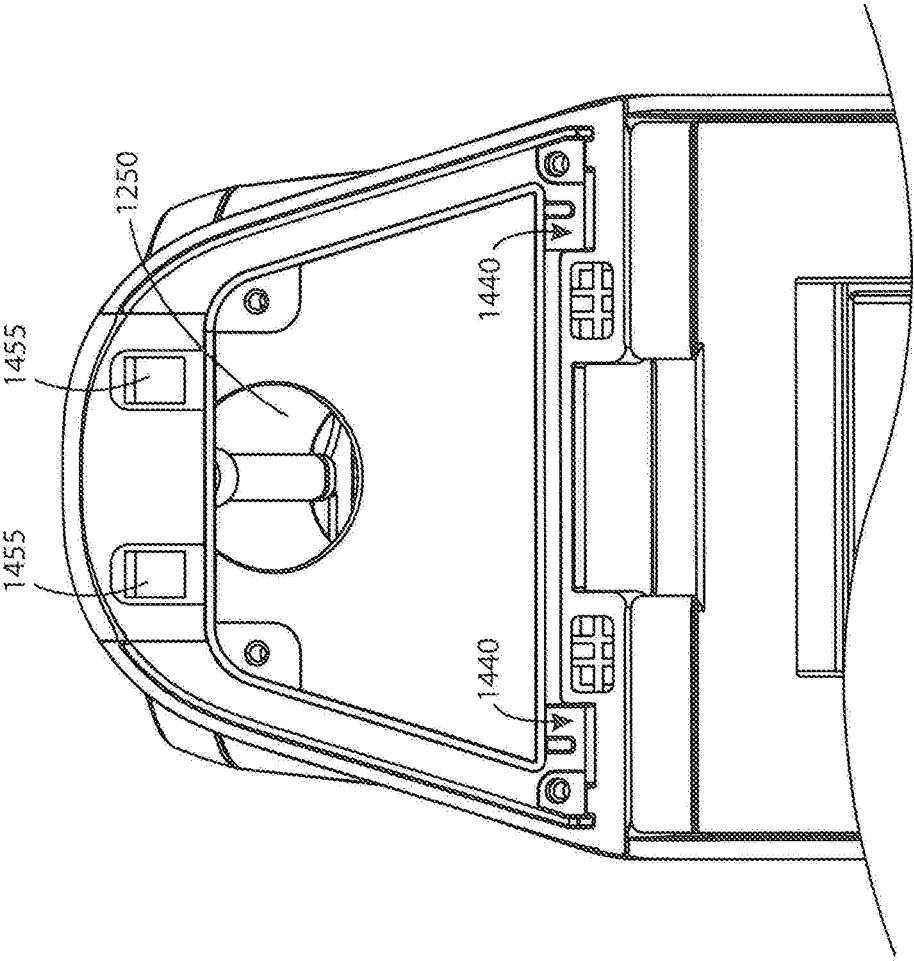


FIG. 24

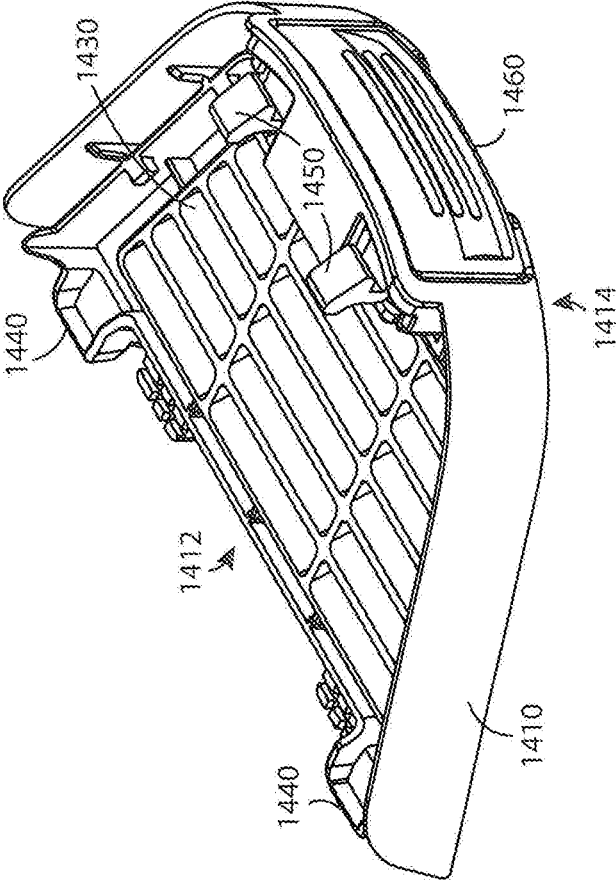


FIG. 25

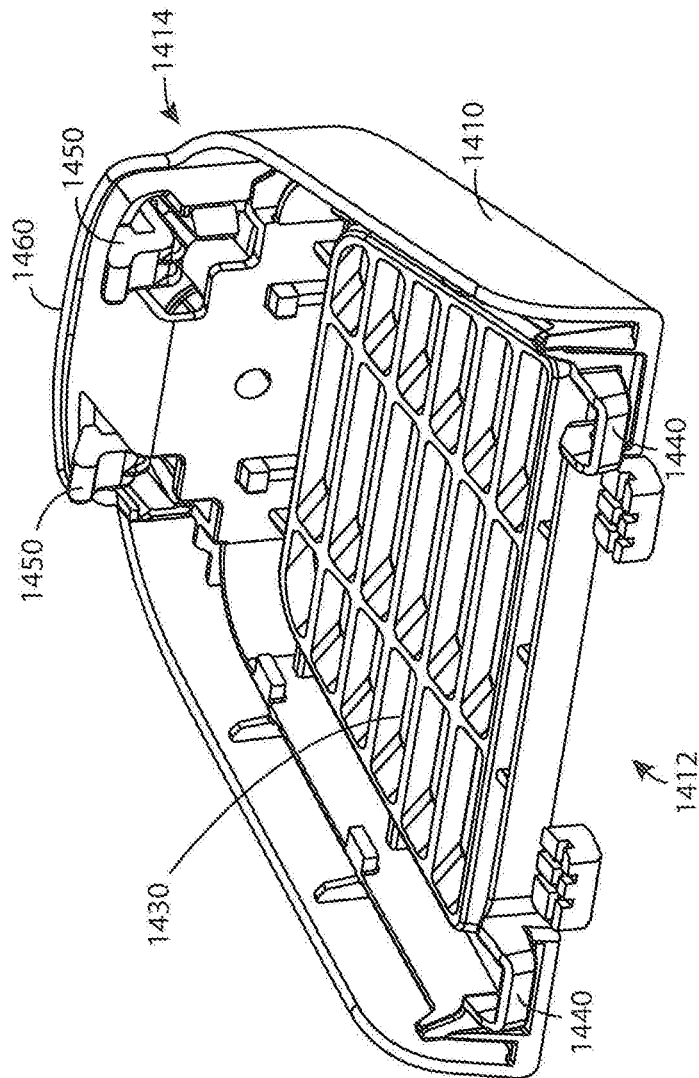


FIG. 26

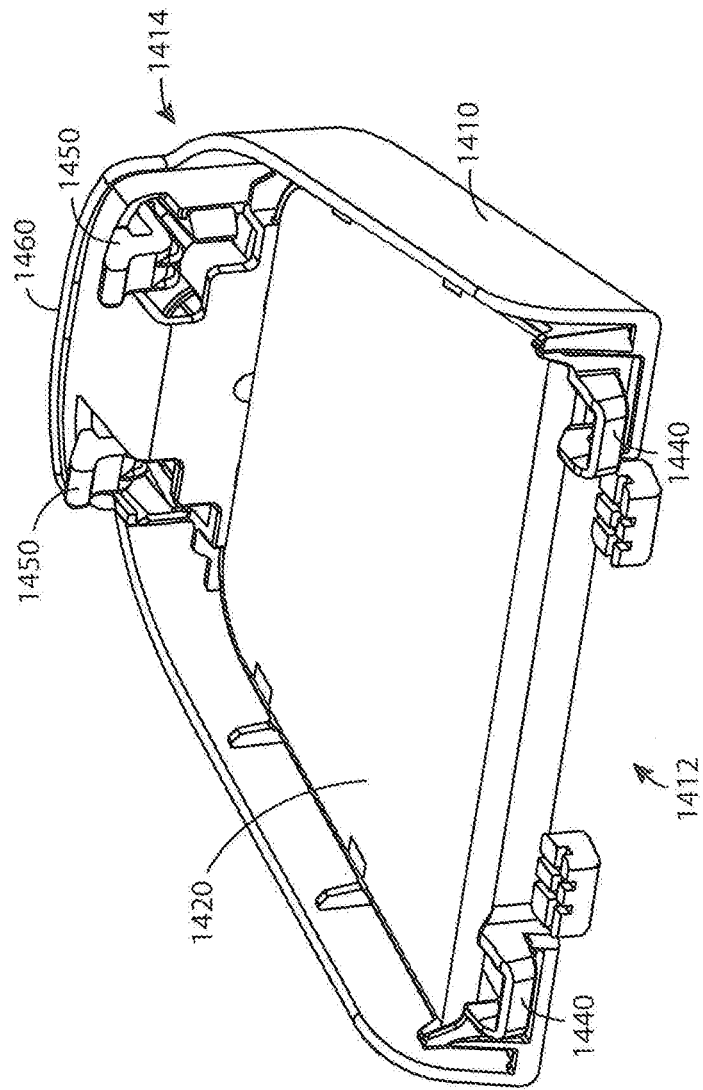


FIG. 27

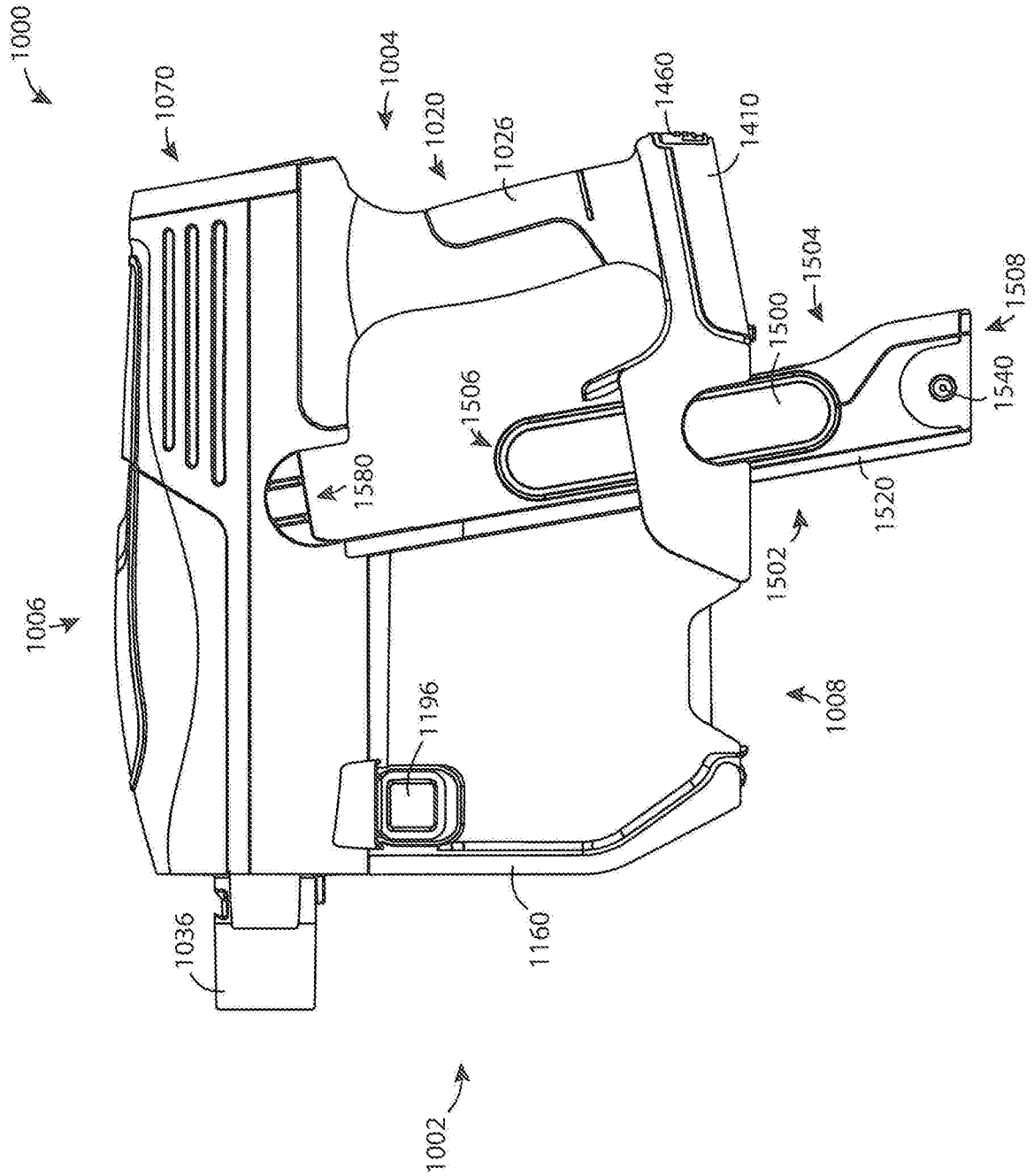


FIG. 28

1000

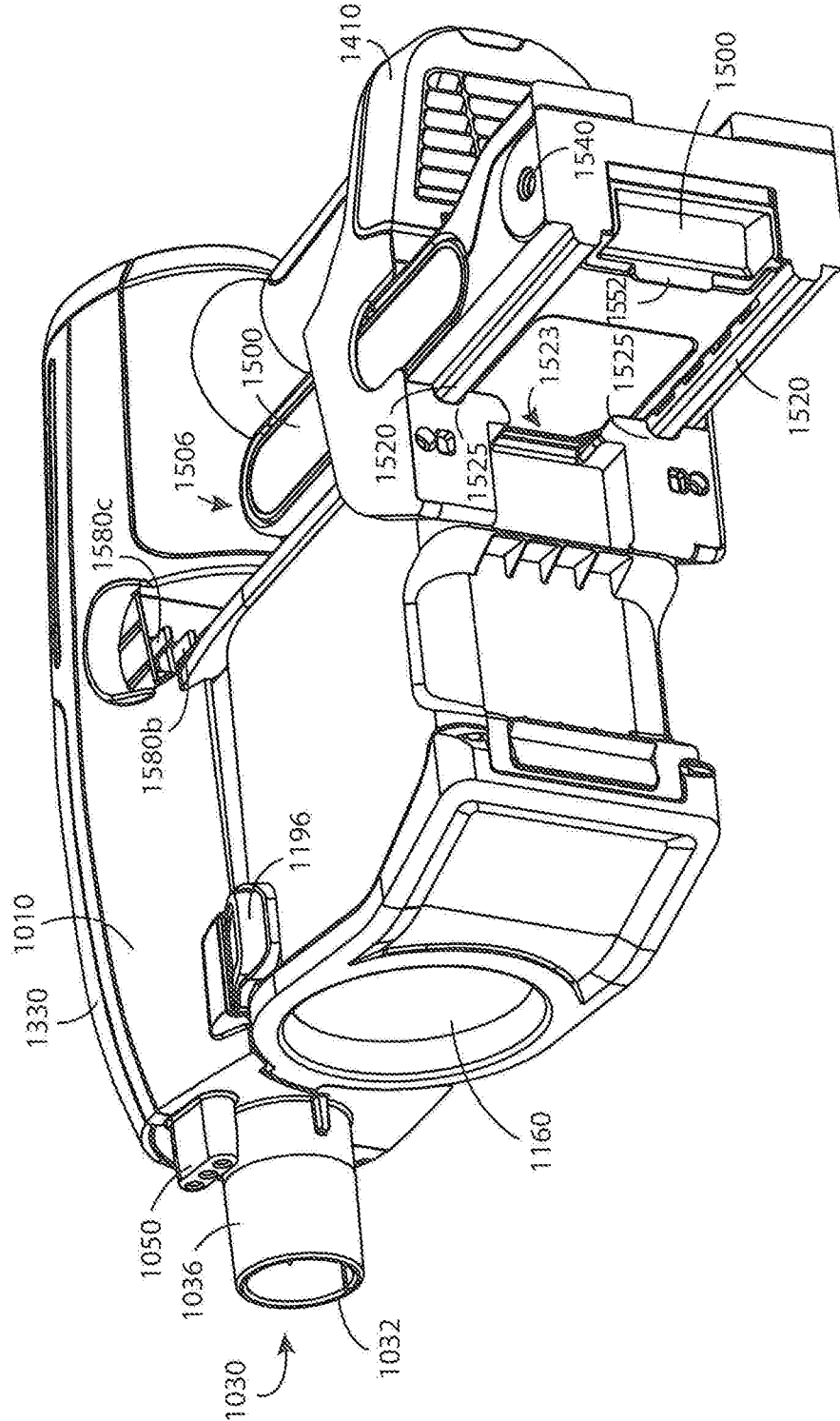


FIG. 29

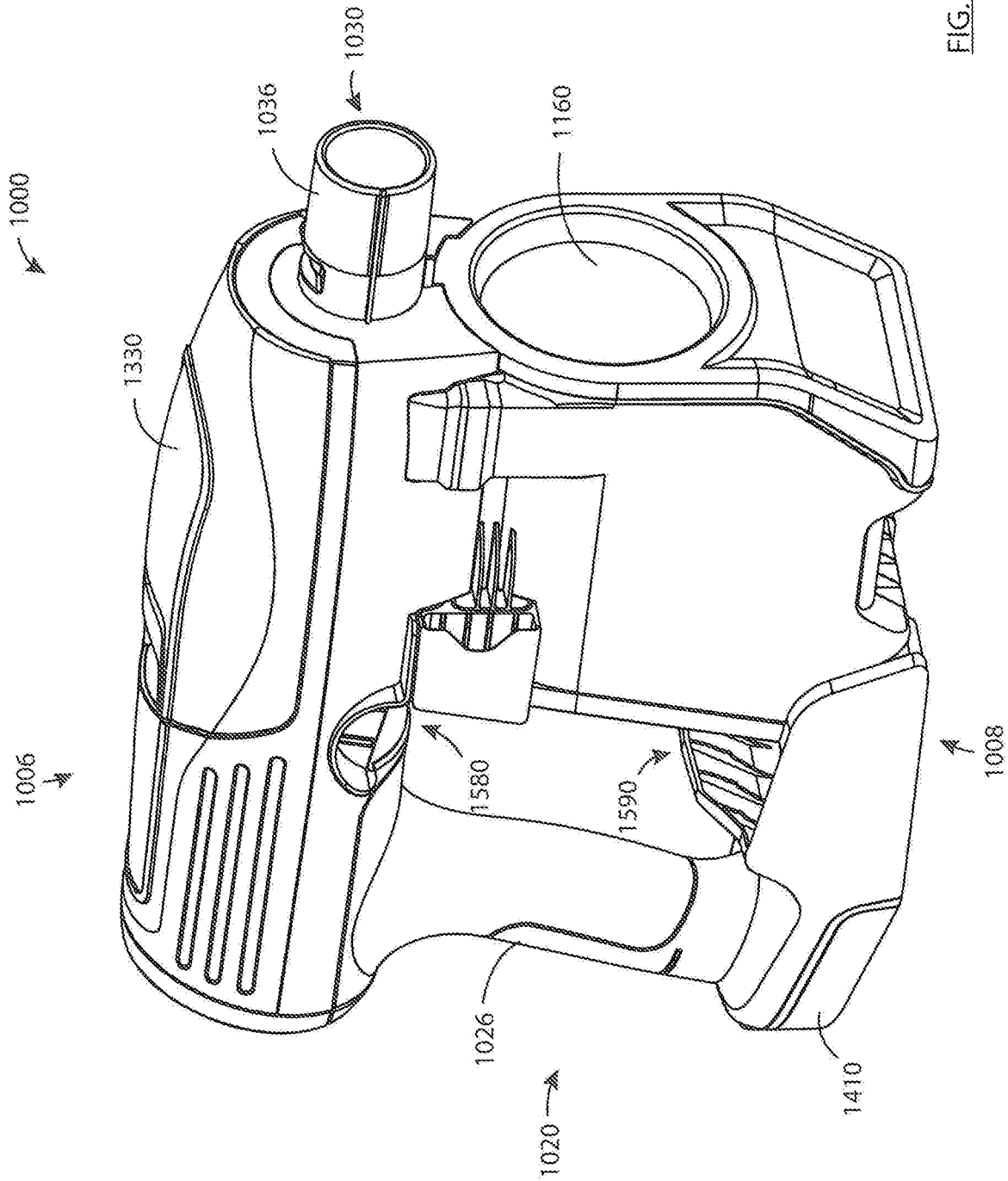
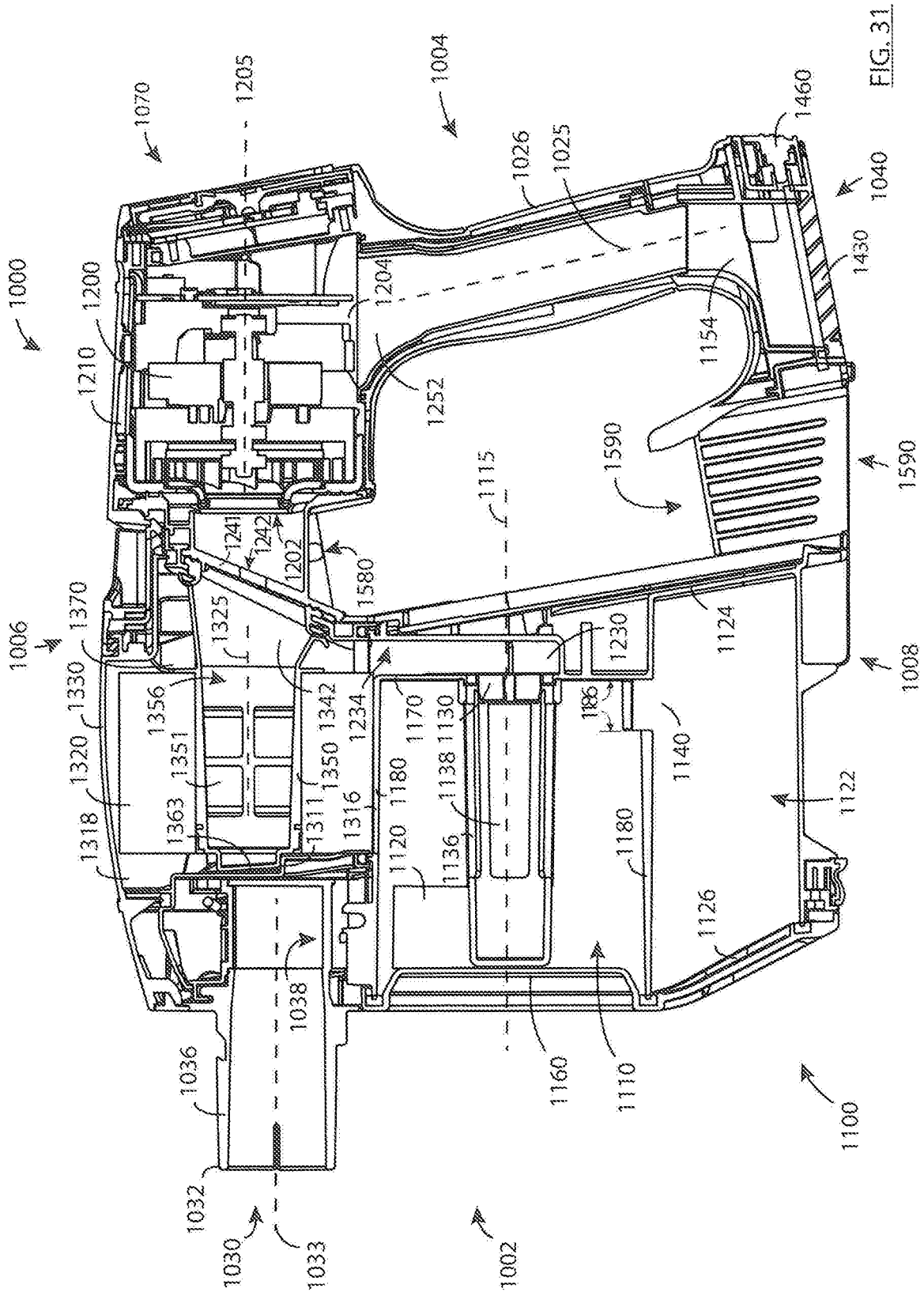


FIG. 30



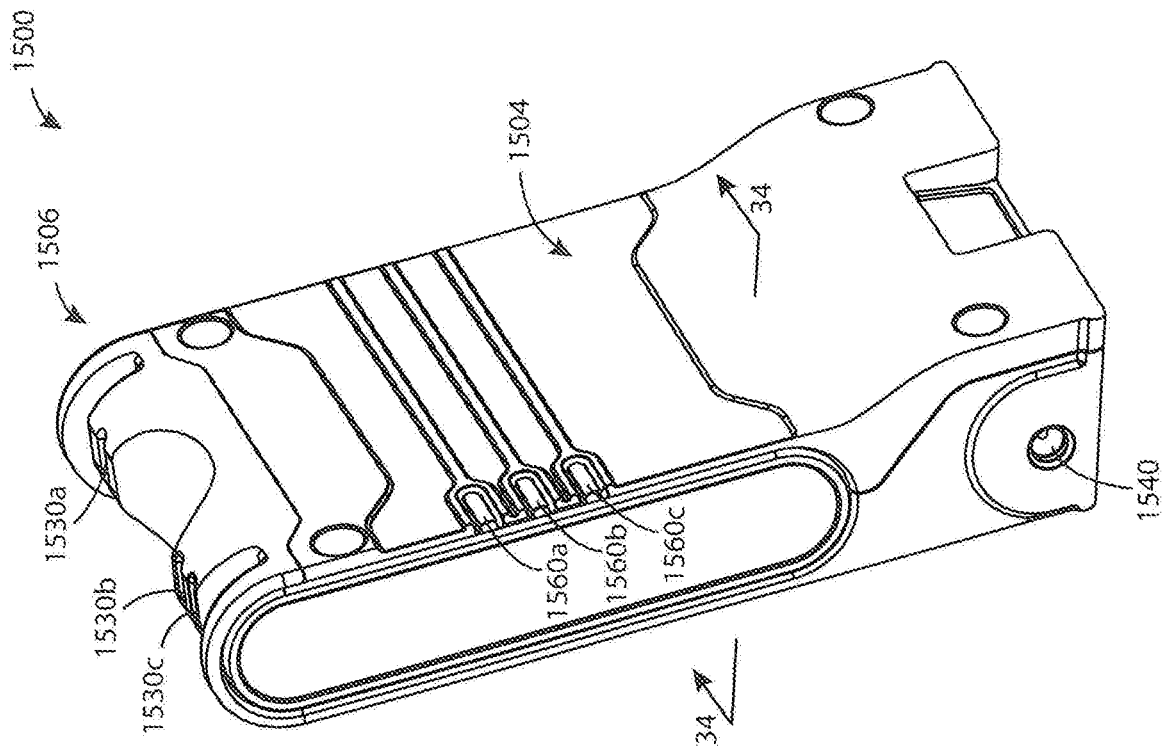


FIG. 32

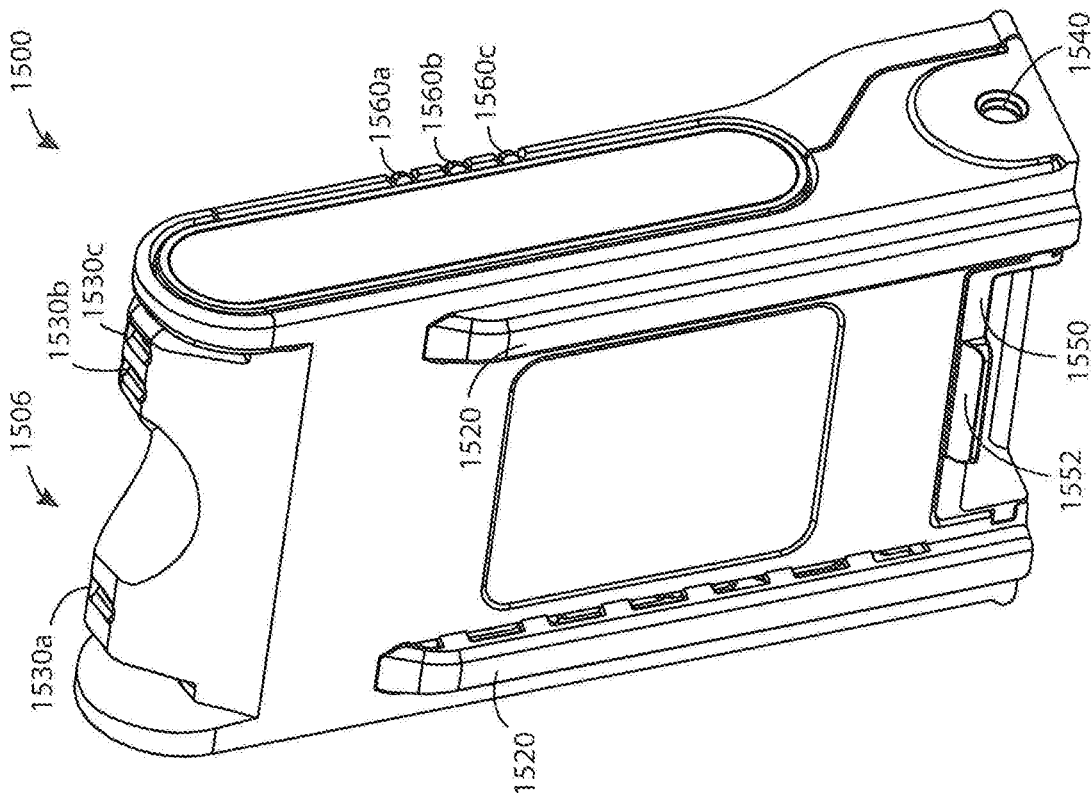


FIG. 33

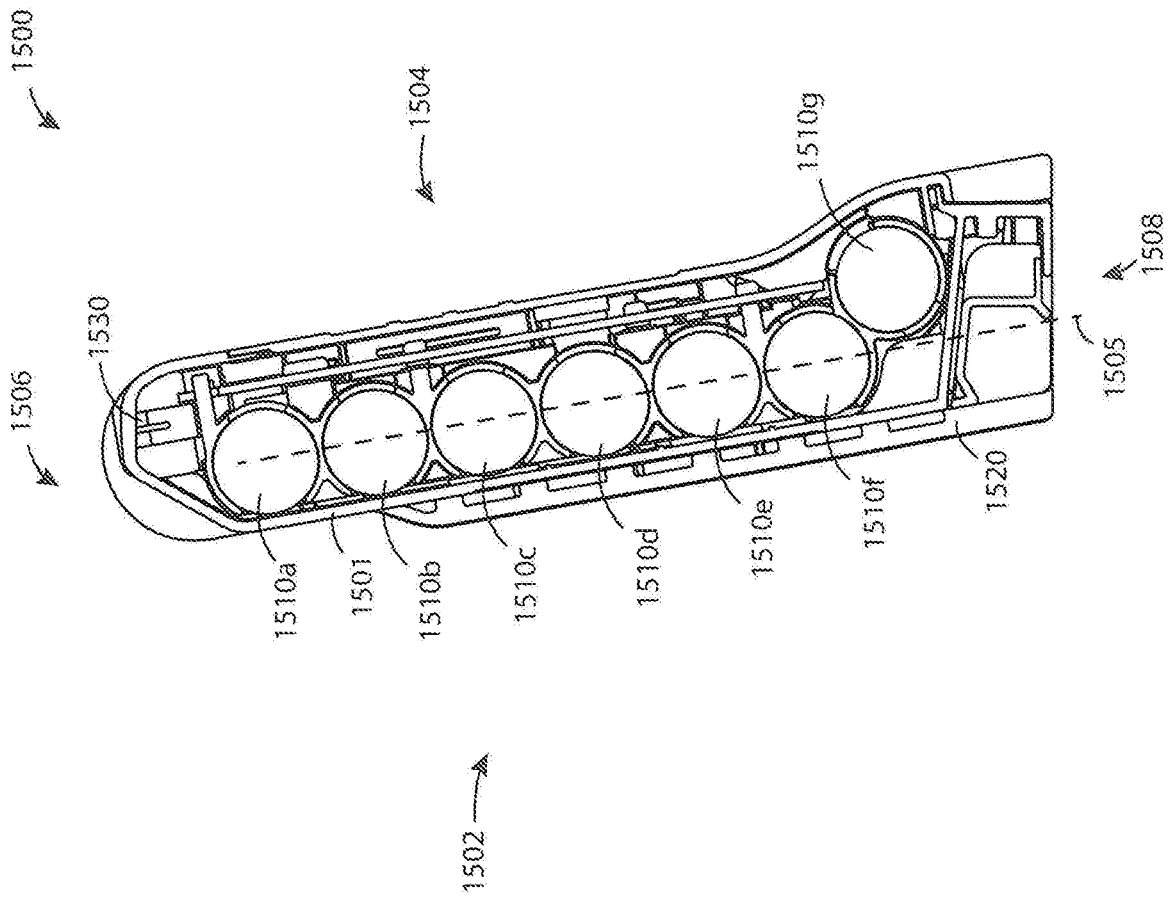


FIG. 34

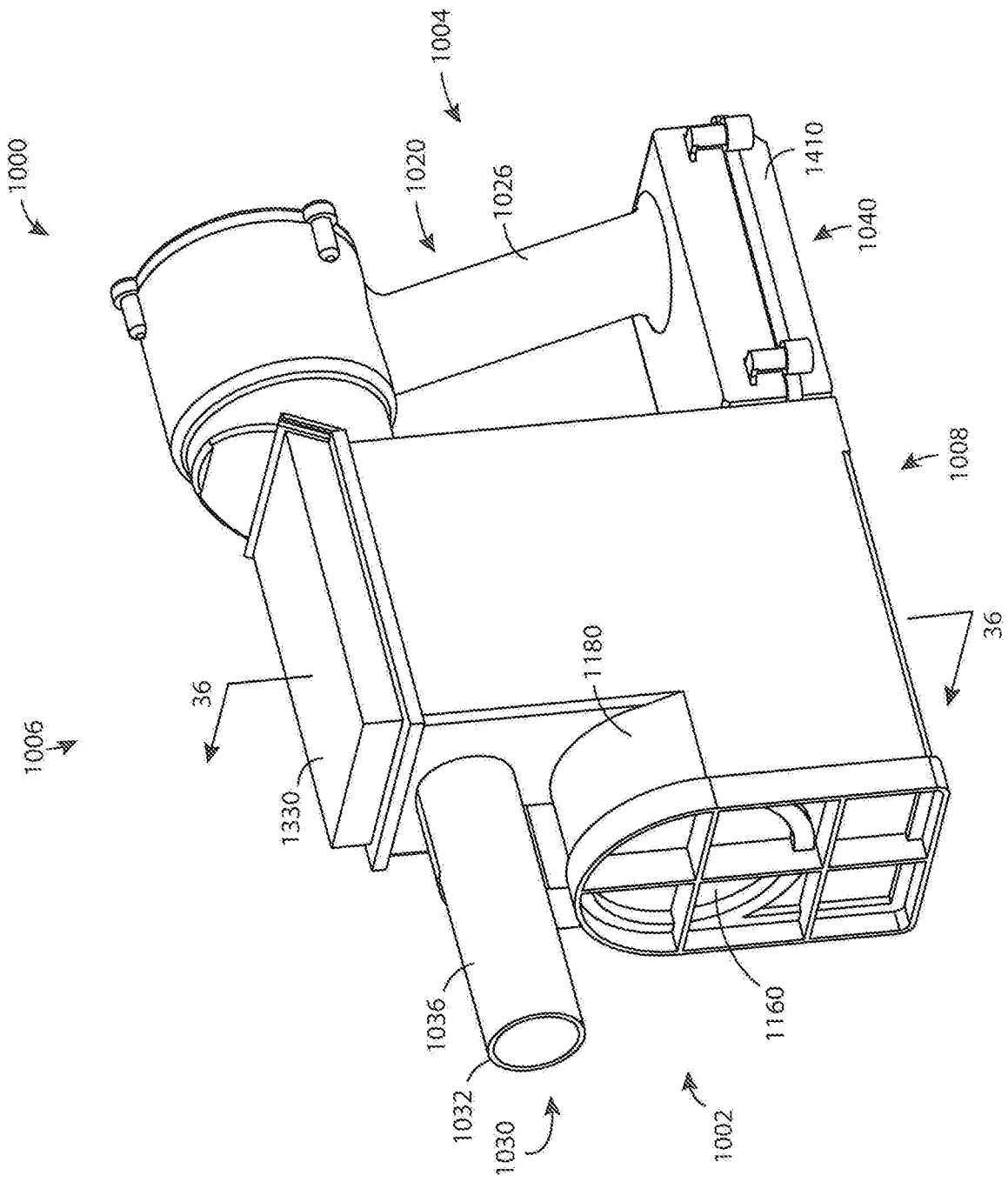


FIG. 35

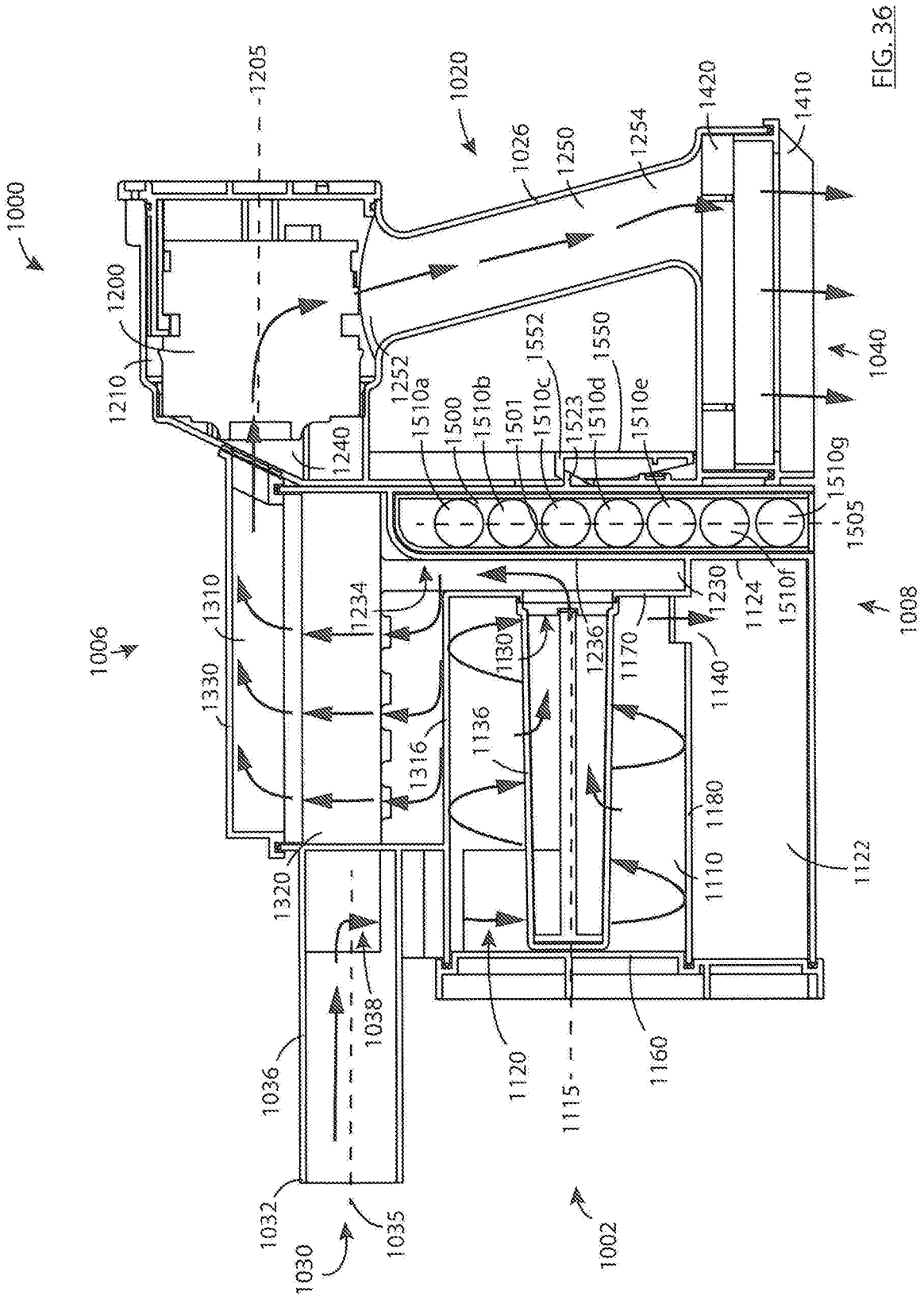


FIG. 36

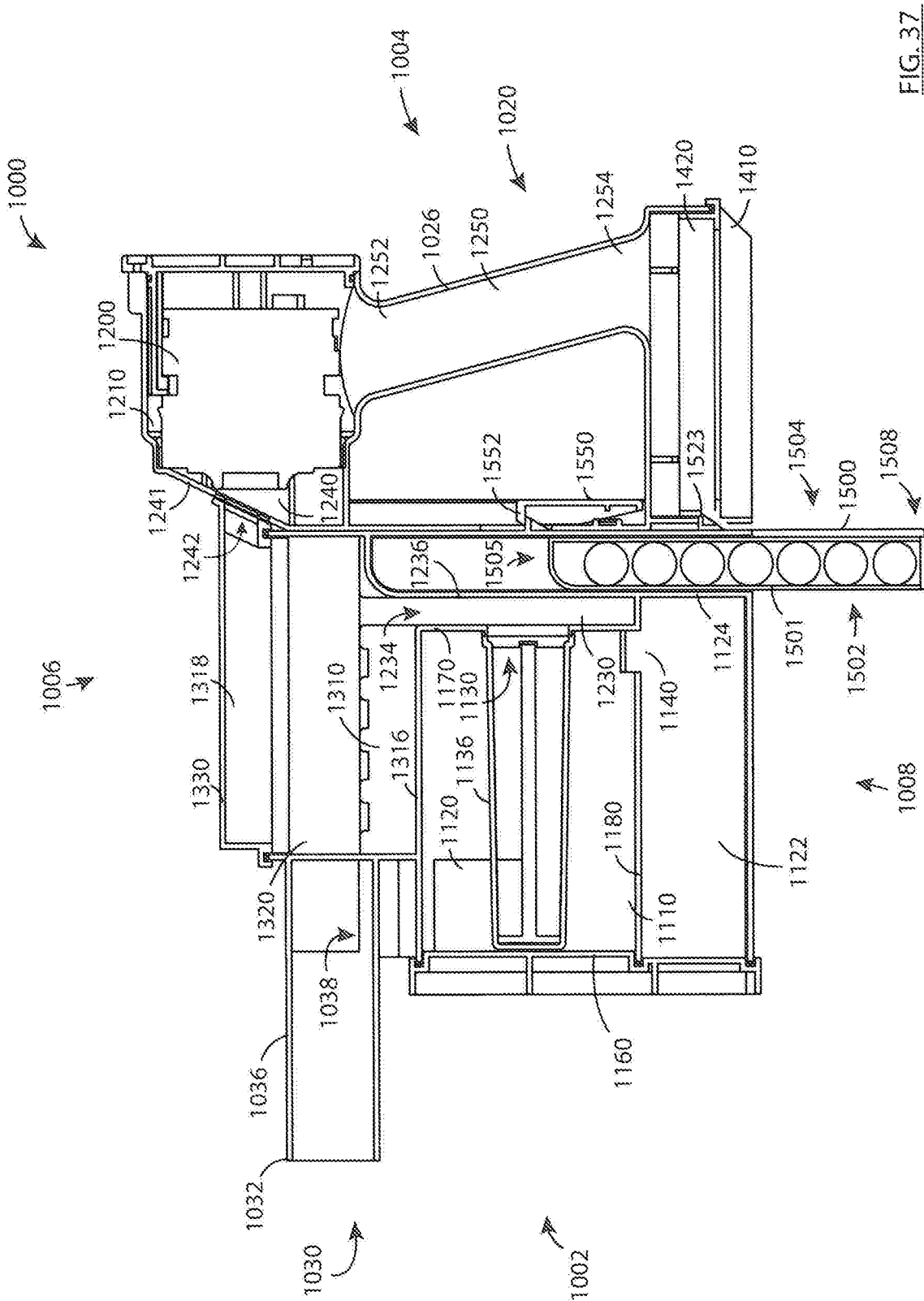


FIG. 37

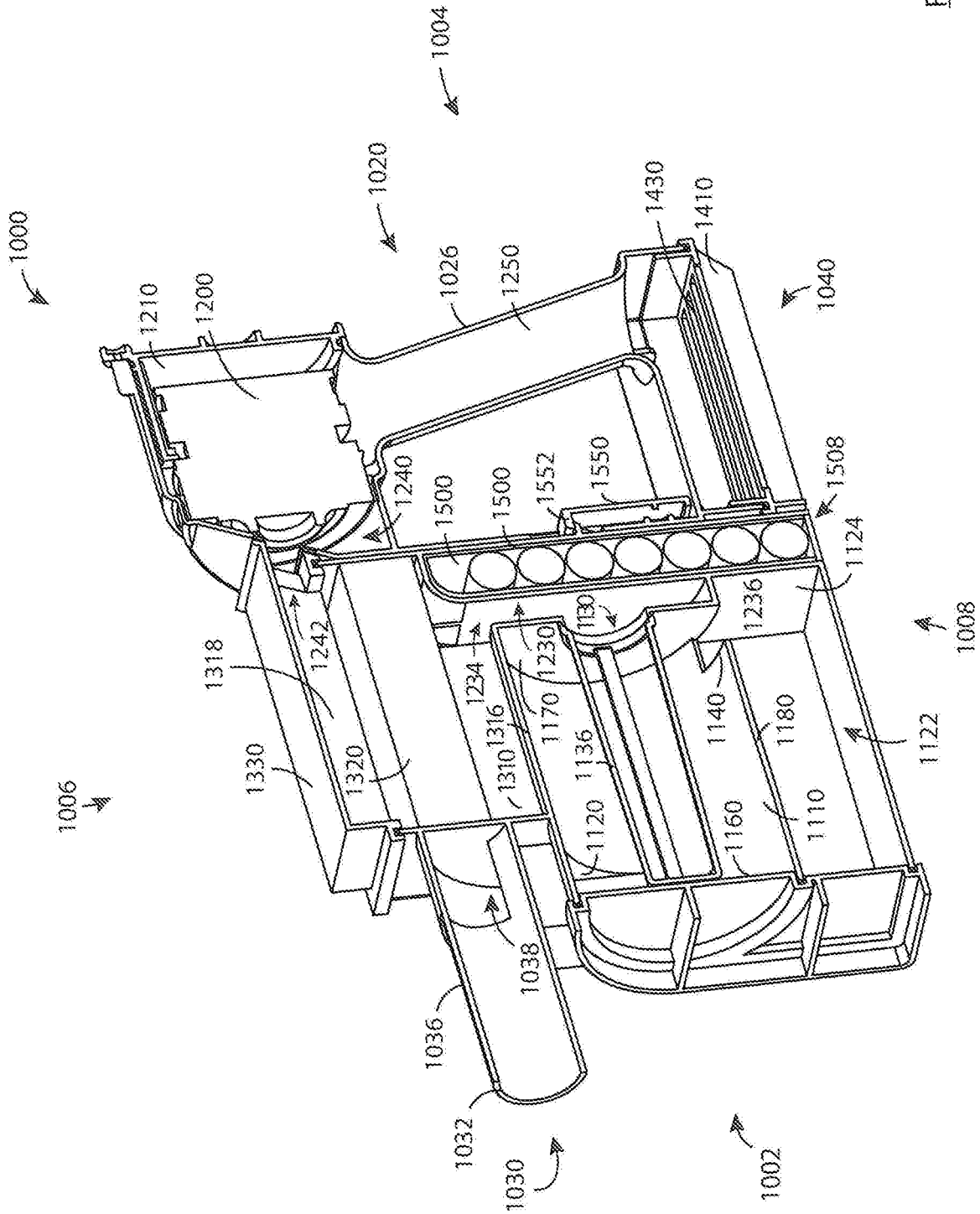
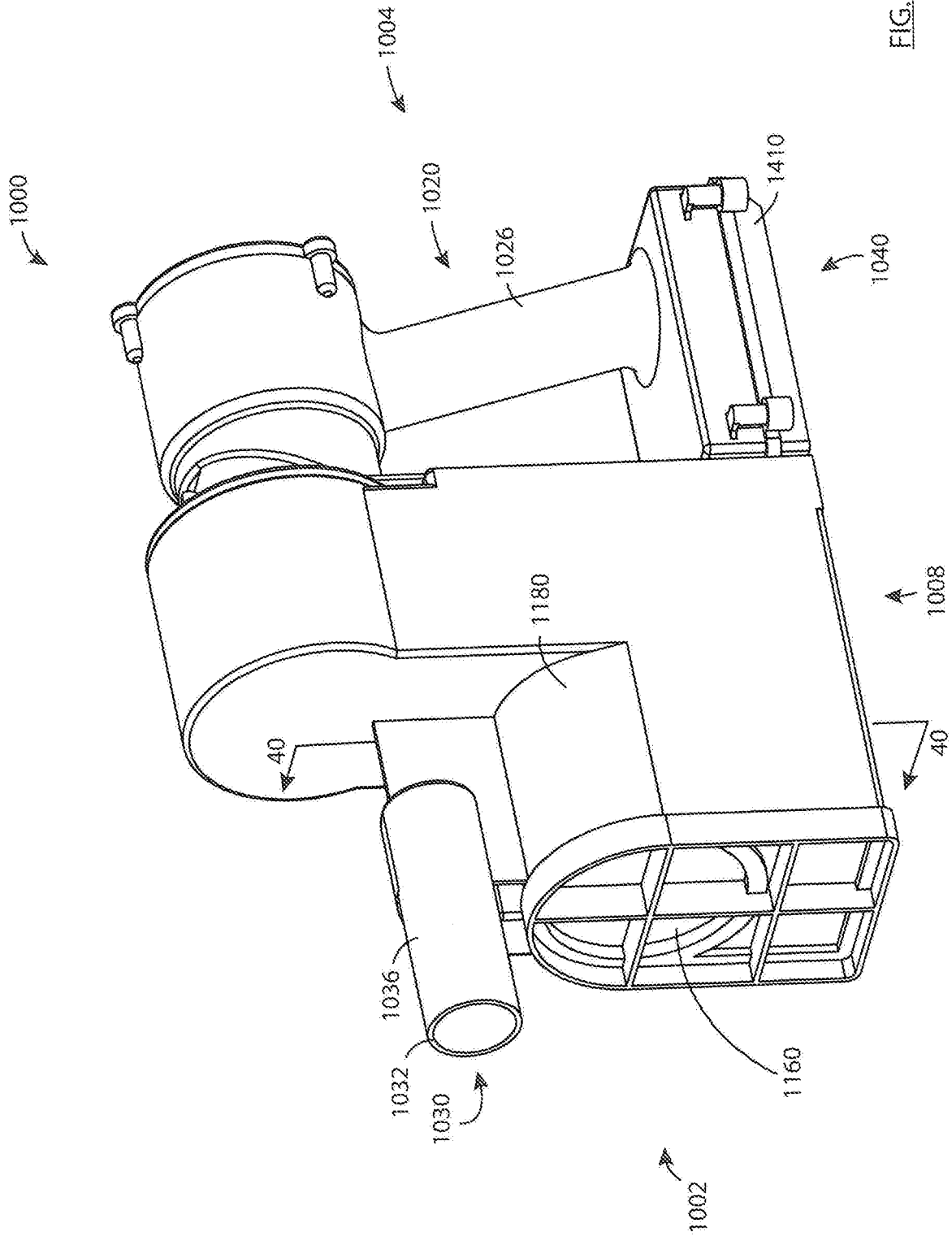


FIG. 38



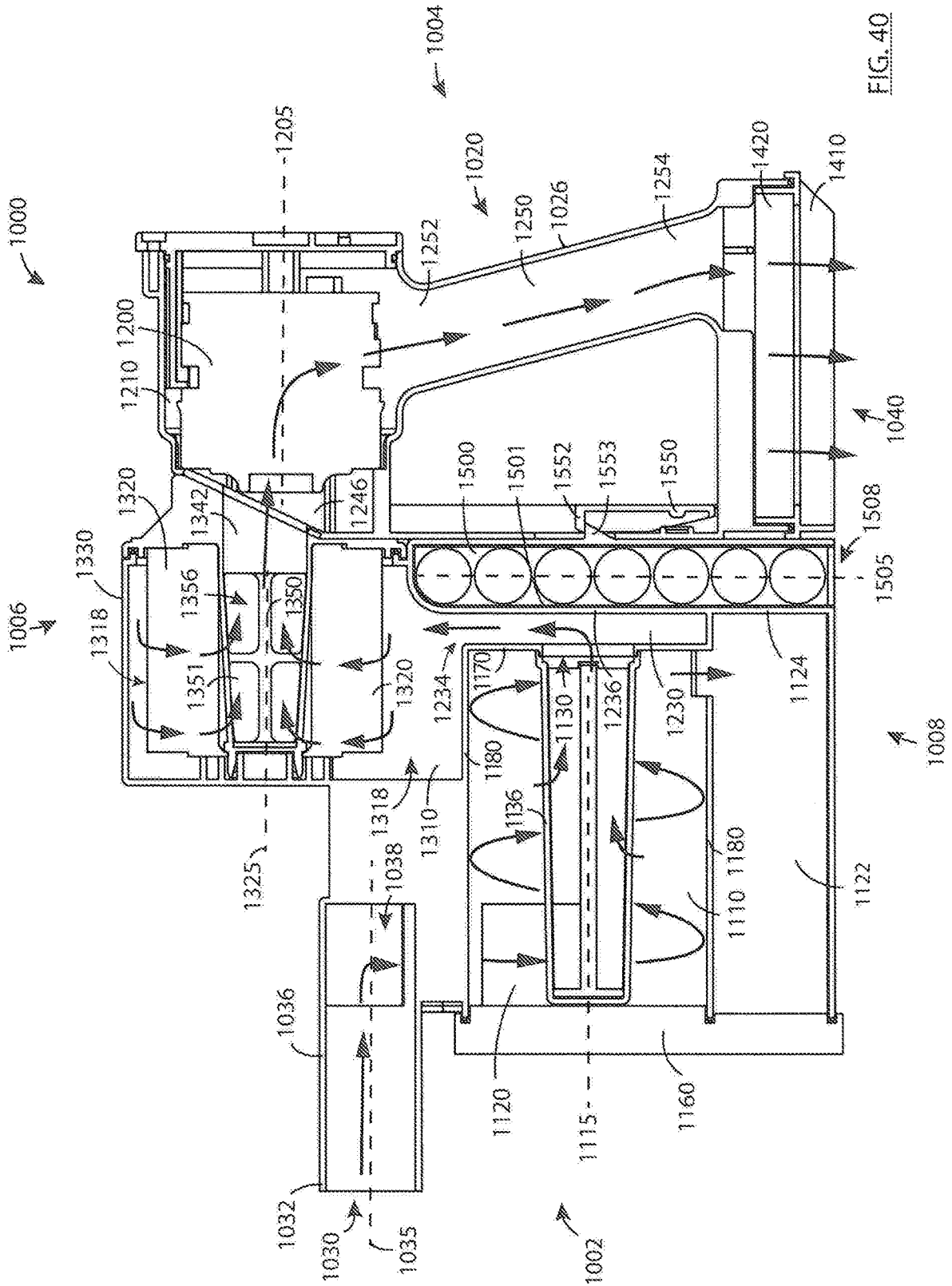


FIG. 40

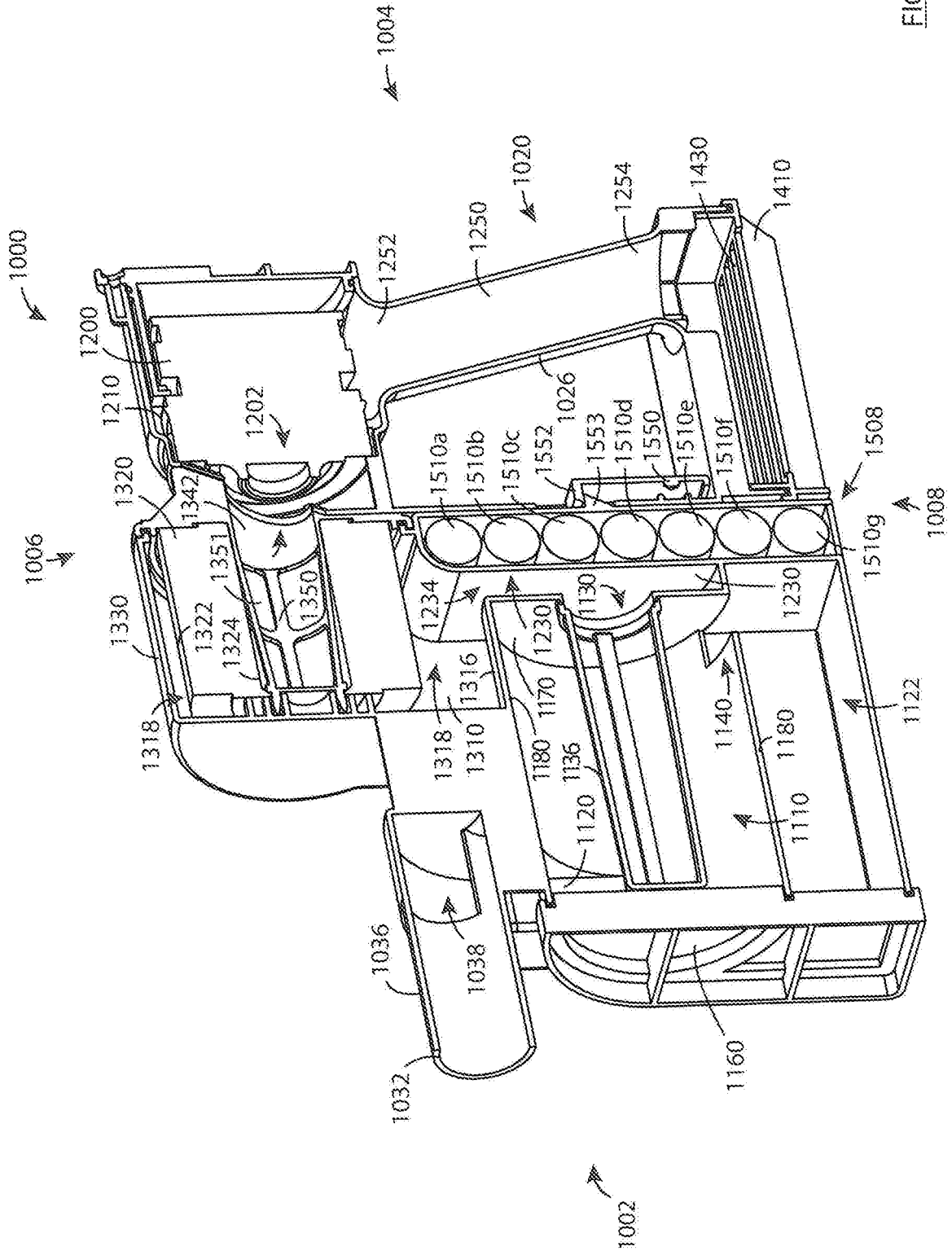


FIG. 41

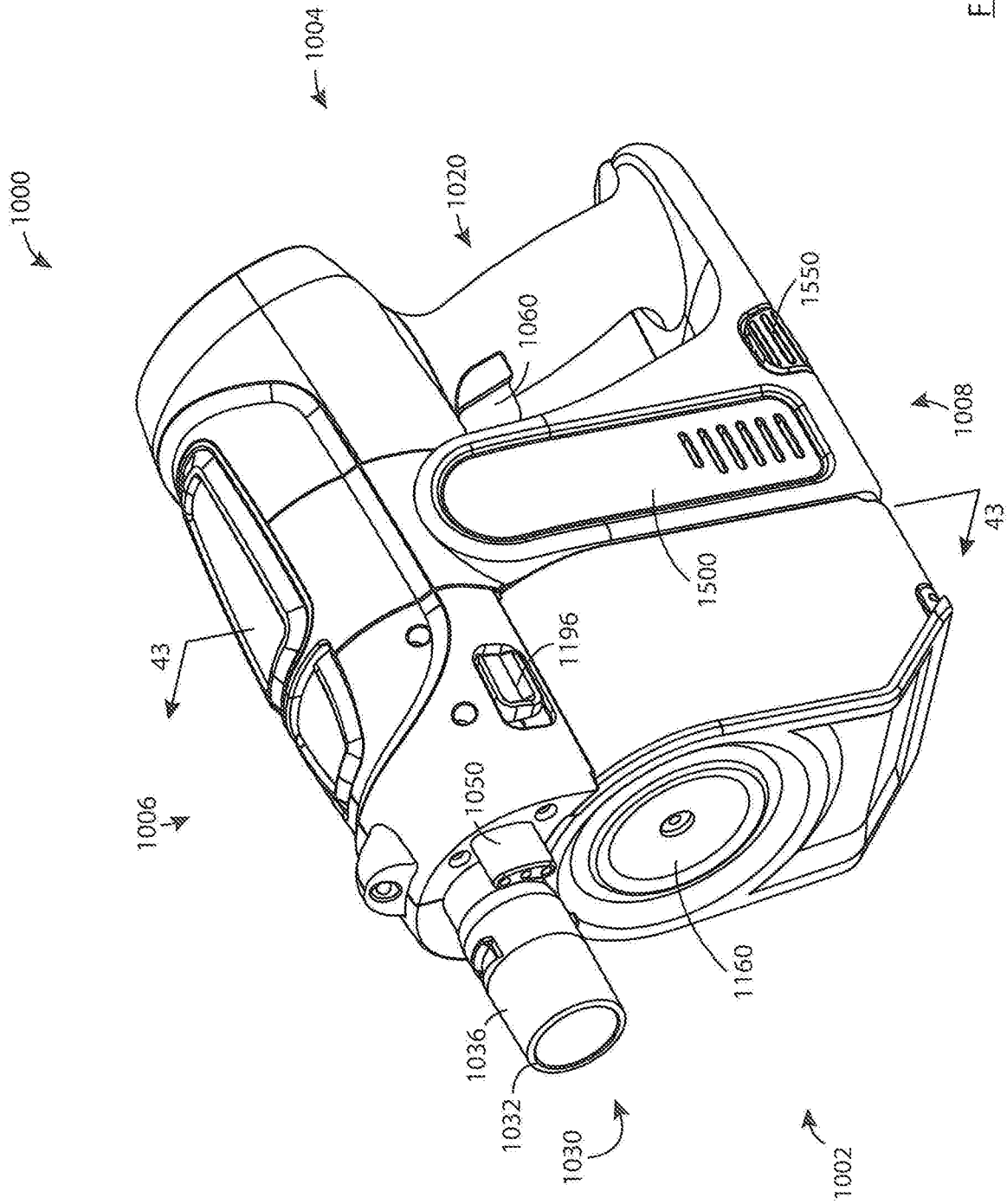
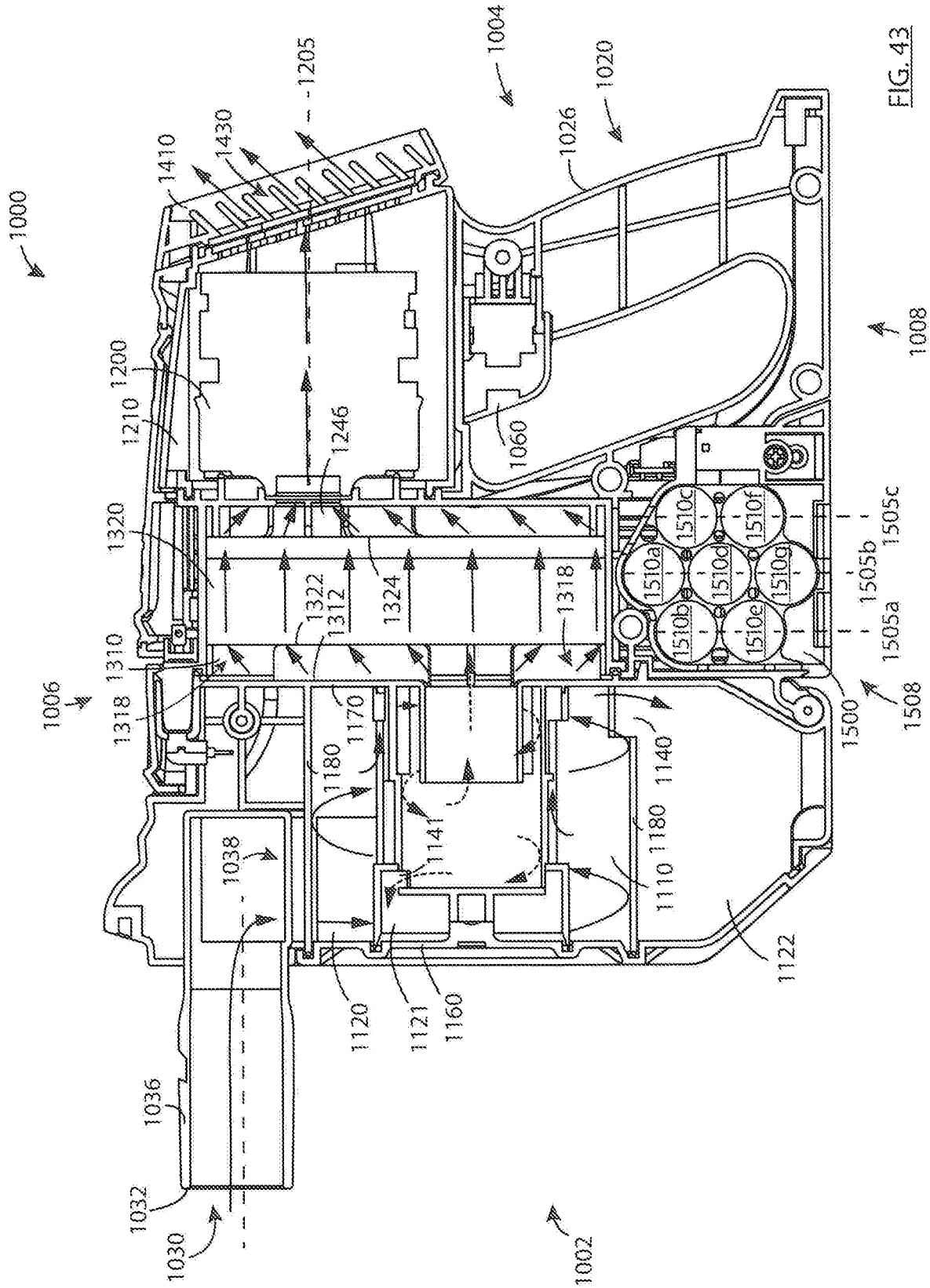


FIG. 42



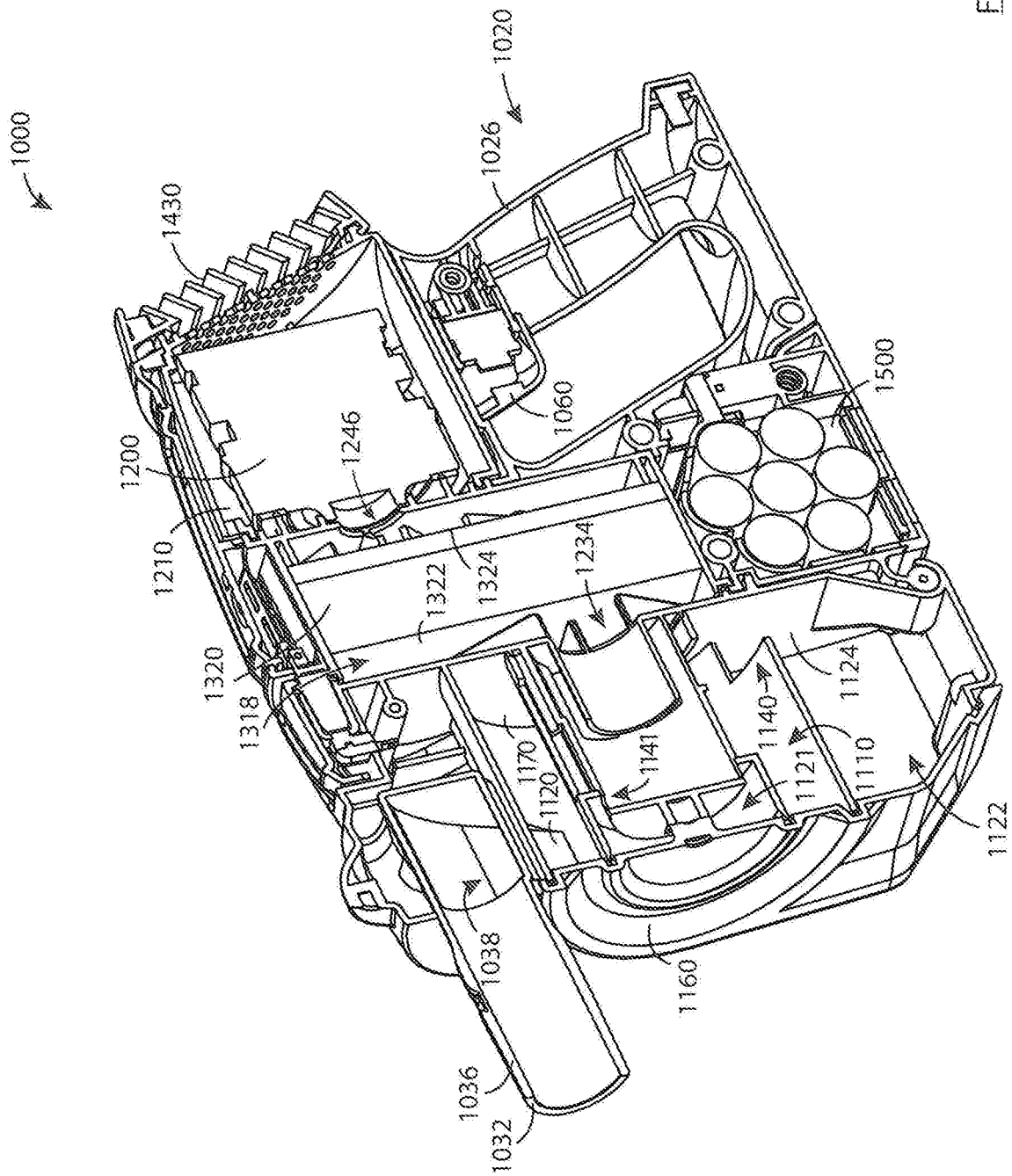


FIG. 44

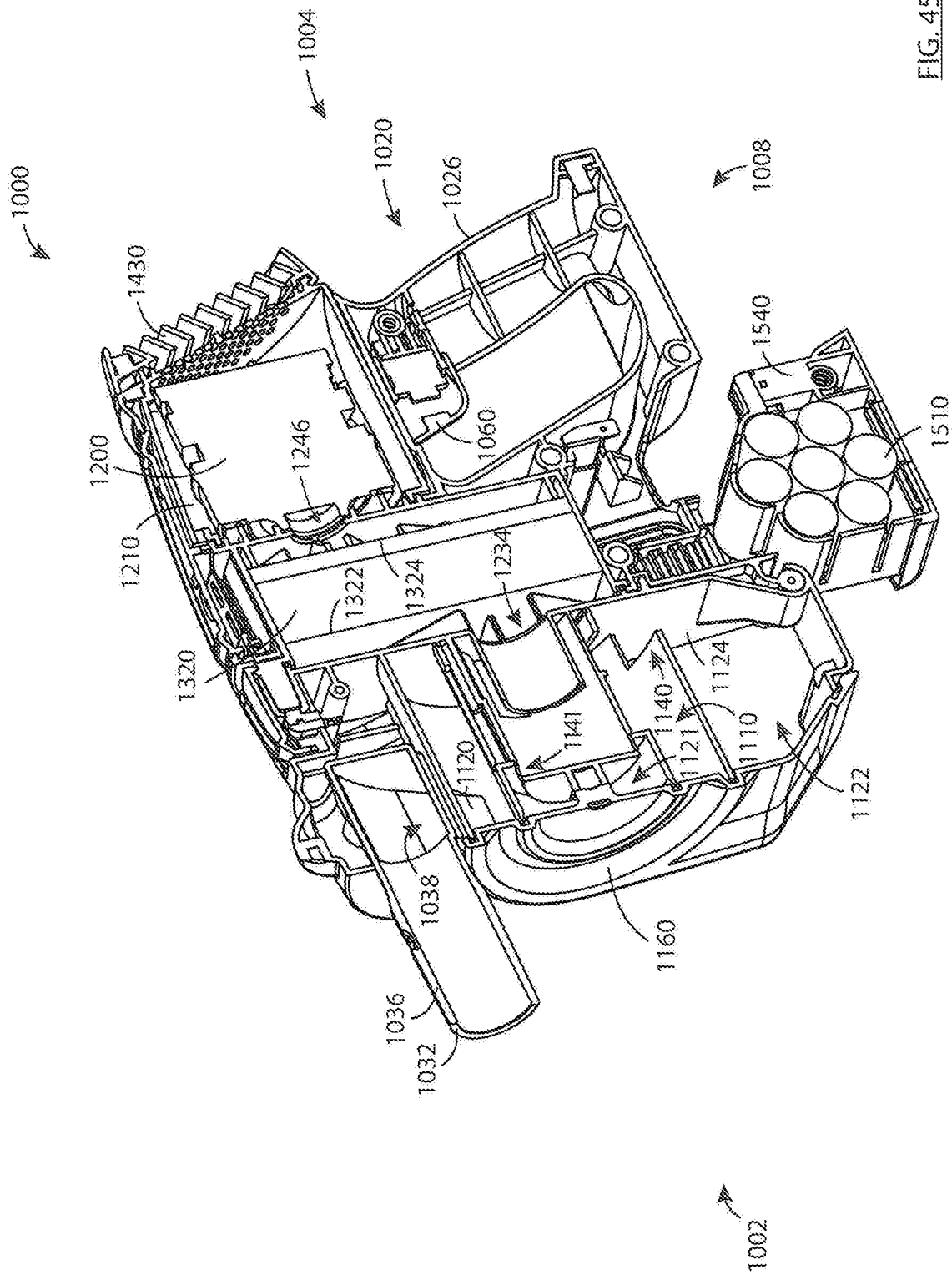


FIG. 45

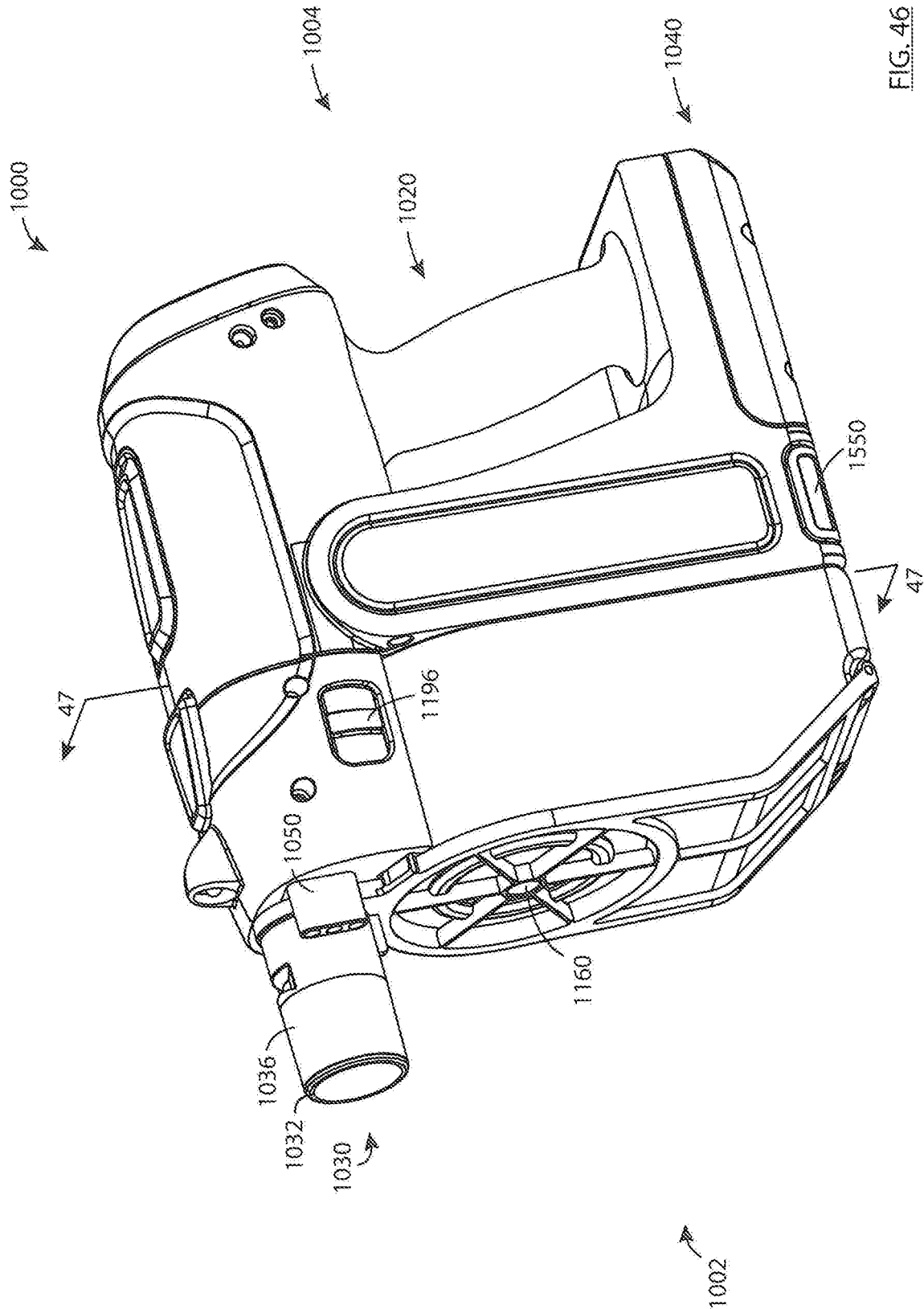


FIG. 46

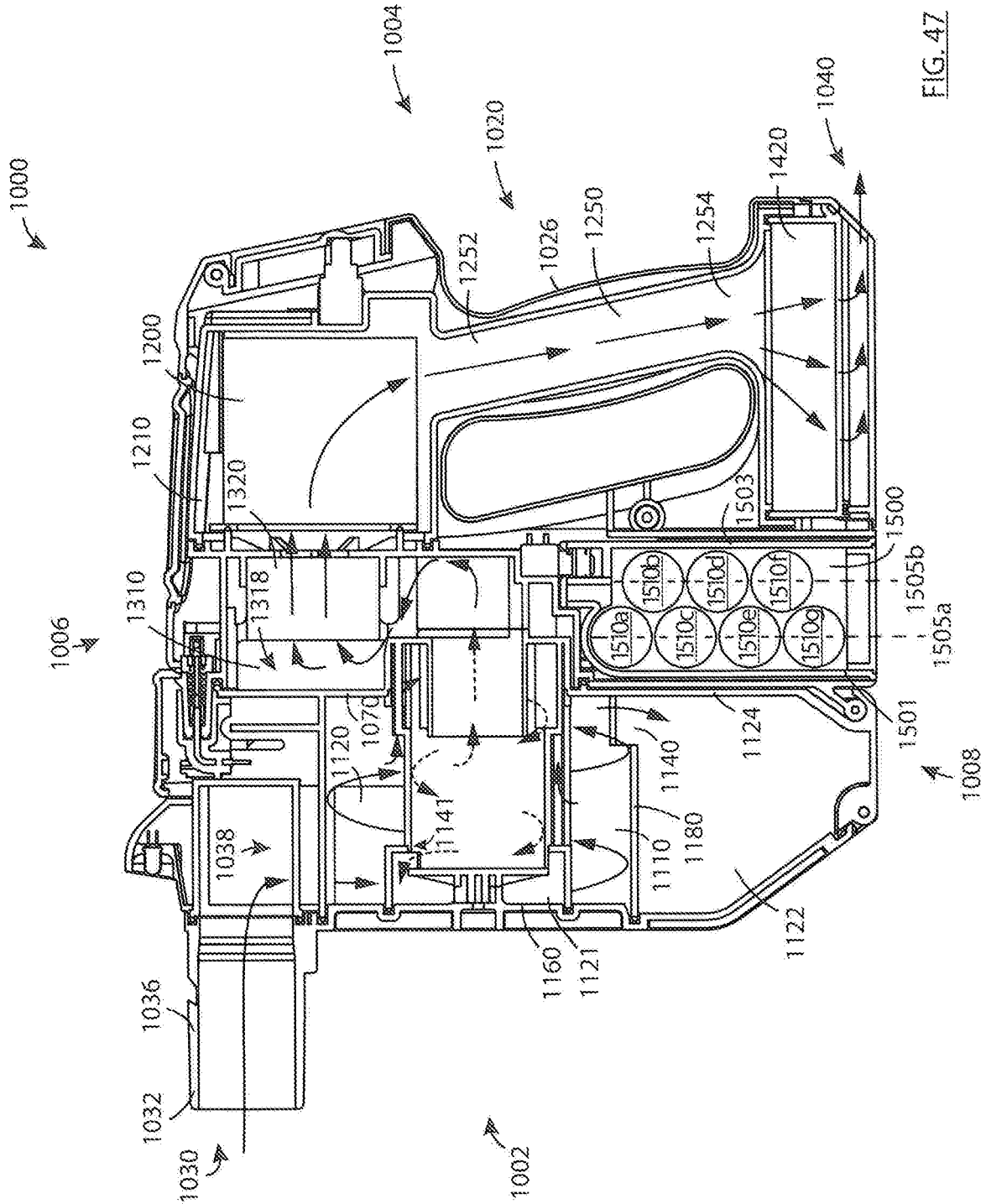


FIG. 47

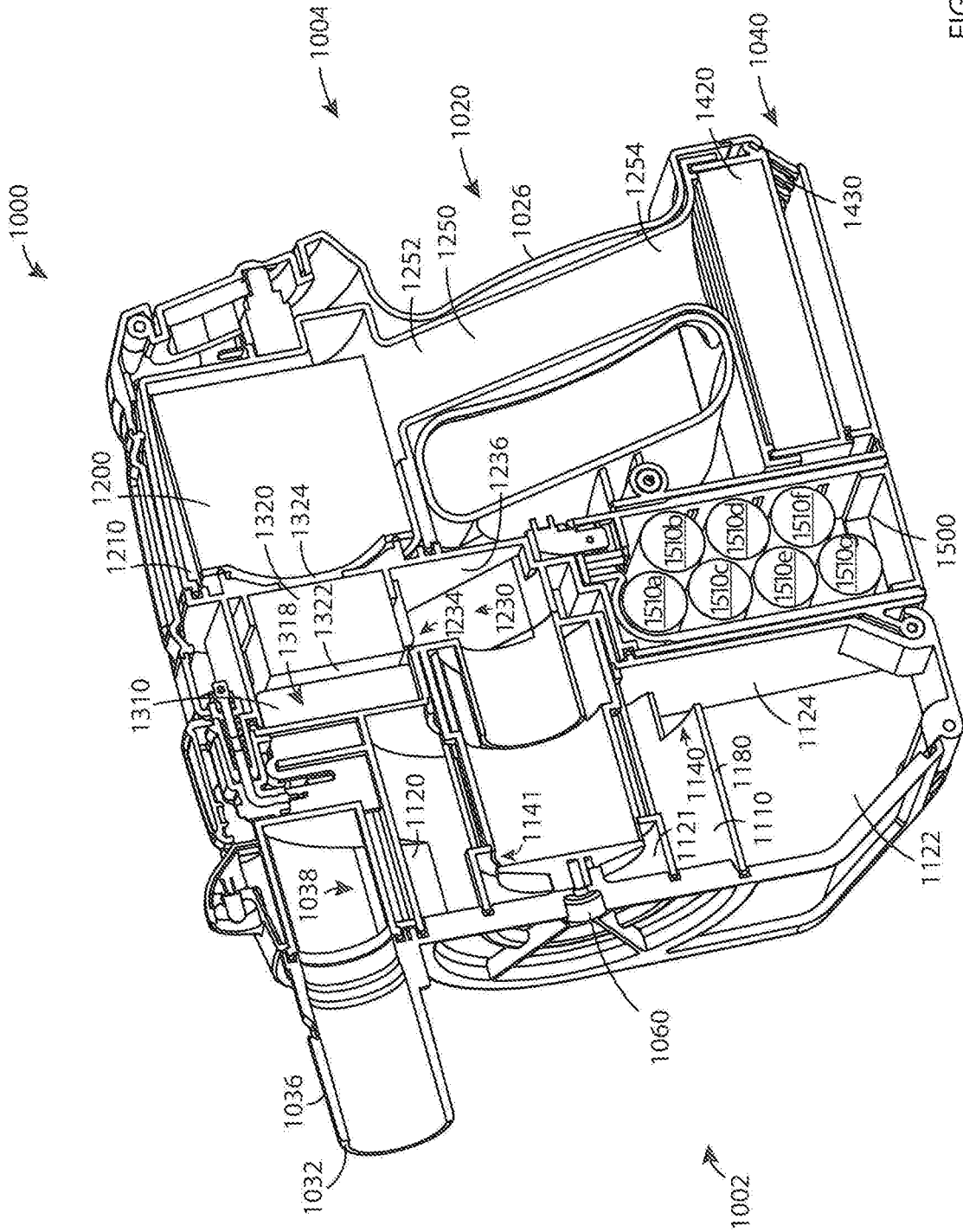


FIG. 48

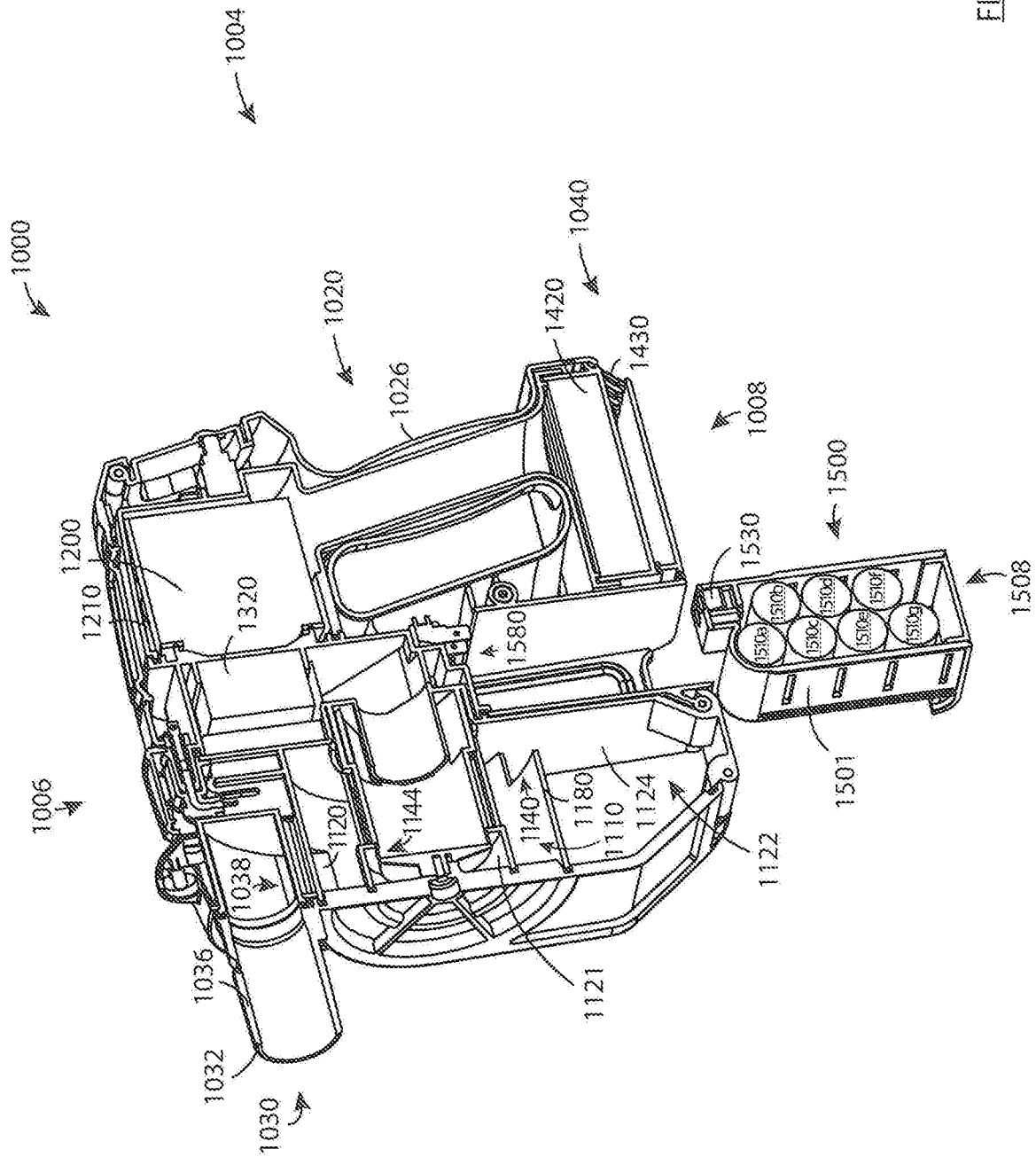


FIG. 49

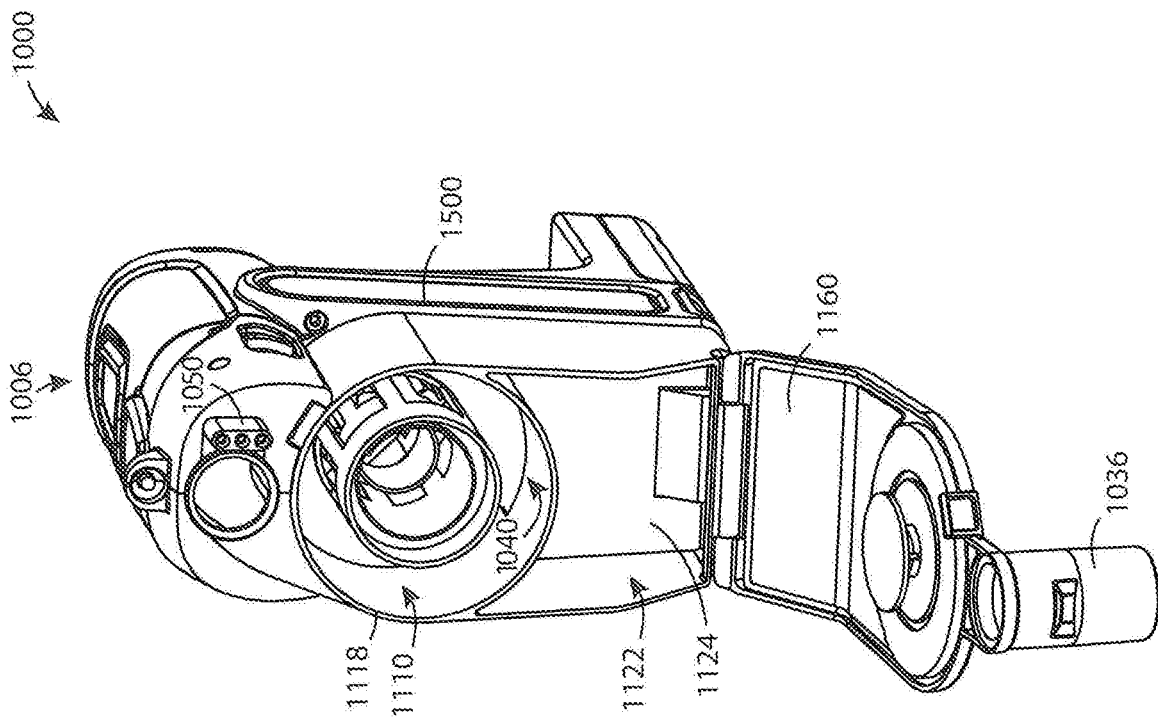


FIG. 50

1

**HANDHELD SURFACE CLEANING
APPARATUS**

FIELD

This disclosure relates generally to surface cleaning apparatus. In a preferred embodiment, the surface cleaning apparatus comprises a portable surface cleaning apparatus, such as a hand vacuum cleaner.

INTRODUCTION

The following is not an admission that anything discussed below is part of the prior art or part of the common general knowledge of a person skilled in the art.

Various types of surface cleaning apparatus are known, including upright surface cleaning apparatus, canister surface cleaning apparatus, stick surface cleaning apparatus, central vacuum systems, and hand carryable surface cleaning apparatus such as hand vacuums. Further, various designs for cyclonic hand vacuum cleaners, including battery operated cyclonic hand vacuum cleaners are known in the art.

SUMMARY

The following introduction is provided to introduce the reader to the more detailed discussion to follow. The introduction is not intended to limit or define any claimed or as yet unclaimed invention. One or more inventions may reside in any combination or sub-combination of the elements or process steps disclosed in any part of this document including its claims and figures.

In accordance with one aspect of this disclosure, which may be used alone or in combination with any other aspect, a hand vacuum cleaner may be powered by an onboard energy source, such as a battery pack or other energy storage member. The energy storage member may include a chemical battery, such as a rechargeable battery. Some chemical batteries, such as lithium-ion batteries, may produce heat while being discharged (e.g. while supplying power to an electric motor). As disclosed herein, a hand vacuum cleaner may have an airflow path in which air exiting a cyclone chamber impinges on a wall of an energy storage chamber in which one or more energy storage devices are located. By directing relatively high-velocity airflow directly against a wall of such a chamber, cooling of an energy storage member (e.g. battery) located in the chamber may be promoted, particularly during discharge of the battery.

In accordance with this broad aspect, there is provided a hand vacuum cleaner having a front end, a rear end, an upper end, a lower end, and first and second laterally spaced apart sides, and comprising:

- (a) an air flow path extending from a dirty air inlet to a clean air outlet;
- (b) a cyclone chamber positioned in the air flow path and having a cyclone air inlet, a cyclone air outlet, and a cyclone axis of rotation;
- (c) a suction motor positioned in the air flow path upstream of the clean air outlet; and,
- (d) at least one energy storage member positioned in an energy storage chamber having an energy storage chamber wall wherein the cyclone air outlet faces the energy storage chamber wall whereby air exiting the cyclone chamber impinges on the energy storage chamber wall.

In some embodiments, the cyclone axis of rotation may extend generally in a forward/rearward direction.

2

In some embodiments, the at least one energy storage member may comprise a plurality of energy storage members wherein at least some of the plurality of energy storage members are arranged one above another in a generally upwardly extending configuration when the upper end of the hand vacuum cleaner is positioned above the lower end of the hand vacuum cleaner.

In some embodiments, the energy storage members may be arranged one above another comprise longitudinally extending members each having a longitudinal axis which that extends laterally.

In some embodiments, the cyclone axis of rotation may intersect a volume defined by the generally upwardly extending configuration of energy storage members.

In some embodiments, the cyclone axis of rotation may extend generally in a forward/rearward direction.

In some embodiments, the at least one energy storage member may be removably receivable in the energy storage chamber.

In some embodiments, the at least one energy storage member may comprise a battery pack that is removably receivable in the energy storage chamber.

In some embodiments, the air flow path may comprise a portion that extends from the cyclone air outlet to the suction motor and is defined in part by the energy storage chamber wall.

In some embodiments, the portion of the air flow path may extend generally upwardly from the cyclone air outlet to the suction motor when the upper end of the hand vacuum cleaner is positioned above the lower end of the hand vacuum cleaner.

In some embodiments, the suction motor may be positioned above the cyclone axis of rotation when the upper end of the hand vacuum cleaner is positioned above the lower end of the hand vacuum cleaner.

In some embodiments, the portion of the air flow path may extend generally downwardly from the cyclone air outlet to the suction motor when the upper end of the hand vacuum cleaner is positioned above the lower end of the hand vacuum cleaner.

In some embodiments, the suction motor may be positioned below the cyclone axis of rotation when the upper end of the hand vacuum cleaner is positioned above the lower end of the hand vacuum cleaner.

In some embodiments, the hand vacuum cleaner may further comprise a handle having a hand grip portion that extends upwardly and forwardly when the upper end of the hand vacuum cleaner is positioned above the lower end of the hand vacuum cleaner wherein the handle is positioned rearward of the at least one energy storage member.

In some embodiments, the at least one energy storage member may comprise a plurality of energy storage members wherein at least some of the plurality of energy storage members are arranged one above another in a generally upwardly extending configuration when the upper end of the hand vacuum cleaner is positioned above the lower end of the hand vacuum cleaner.

In some embodiments, the hand vacuum cleaner may further comprise a finger gap positioned between the handle and the energy storage chamber.

In accordance with another aspect of this disclosure, which may be used alone or in combination with any other aspect, a hand vacuum cleaner may have a cyclone chamber, a suction motor, and pre-motor filter positioned downstream of the cyclone chamber and upstream of the suction motor. The pre-motor filter may be vertically spaced from the cyclone chamber, and air may travel generally rearwardly

3

from the pre-motor filter to the suction motor. Promoting air to travel in this manner may help reduce or eliminate the need for additional bends or air flow direction changes between an air outlet of the pre-motor filter and the suction motor, thereby reducing backpressure and/or air flow losses through this portion of the hand vacuum cleaner due to a reduction in the number of bends in the air flow path.

In accordance with this broad aspect, there is provided a hand vacuum cleaner having a front end, a rear end, an upper end, a lower end, and first and second laterally spaced apart sides, and comprising:

- (a) an air flow path extending from a dirty air inlet to a clean air outlet;
- (b) a cyclone assembly comprising a cyclone chamber positioned in the air flow path and having a cyclone air inlet, a cyclone air outlet, and a cyclone axis of rotation, wherein the cyclone axis of rotation extends generally in a forward/rearward direction;
- (c) a pre-motor filter positioned downstream of the cyclone air outlet; and,
- (d) a suction motor positioned in the air flow path downstream of the pre-motor filter and upstream of the clean air outlet and having a suction motor axis of rotation; wherein the pre-motor filter is vertically spaced from the cyclone axis of rotation when the upper end of the hand vacuum cleaner is positioned above the lower end of the hand vacuum cleaner, and

wherein air travels generally rearwardly from the pre-motor filter to the suction motor.

In some embodiments, the pre-motor filter may be vertically spaced from the cyclone chamber when the upper end of the hand vacuum cleaner is positioned above the lower end of the hand vacuum cleaner.

In some embodiments, the cyclone assembly may comprise a sidewall that extends generally parallel to the cyclone axis of rotation and the pre-motor filter may have an upstream surface that extends generally parallel to the sidewall of the cyclone assembly.

In some embodiments, the pre-motor filter may have a downstream surface that is opposed to the upstream surface, and air may exit the downstream surface in a generally vertical direction when the upper end of the hand vacuum cleaner is positioned above the lower end of the hand vacuum cleaner.

In some embodiments, the pre-motor filter may at least partially overlie the cyclone chamber.

In some embodiments, the suction motor axis of rotation may be generally parallel to the cyclone axis of rotation.

In some embodiments, the suction motor may be positioned rearward of the cyclone chamber and the suction motor axis of rotation may be generally parallel to the cyclone axis of rotation.

In some embodiments, the pre-motor filter may comprise a generally cylindrical filter having a hollow interior wherein the suction motor has an inlet end that faces towards the hollow interior.

In some embodiments, the generally cylindrical filter may have an outer upstream surface and an inner downstream surface defining the hollow interior and the suction motor axis of rotation may intersect the hollow interior.

In some embodiments, the cyclone assembly may comprise a sidewall that extends generally parallel to the cyclone axis of rotation and the upstream surface of the pre-motor filter may extend generally parallel to the sidewall of the cyclone assembly.

In some embodiments, the pre-motor filter may at least partially overlie the cyclone chamber.

4

In some embodiments, the hand vacuum cleaner may further comprise a handle having a hand grip portion that extends upwardly and forwardly when the upper end of the hand vacuum cleaner is positioned above the lower end of the hand vacuum cleaner wherein the suction motor is located at an upper end of the handle.

In some embodiments, the suction motor may be positioned rearward of the cyclone chamber.

In some embodiments, the suction motor may be located at an upper end of the hand grip portion.

Also in accordance with this broad aspect, there is provided a hand vacuum cleaner having a front end, a rear end, an upper end, a lower end, and first and second laterally spaced apart sides, and comprising:

- (a) an air flow path extending from a dirty air inlet to a clean air outlet;
- (b) a cyclone assembly comprising a cyclone chamber positioned in the air flow path and having a cyclone air inlet, a cyclone air outlet and a cyclone axis of rotation, wherein the cyclone axis of rotation extends generally in a forward/rearward direction;
- (c) a generally cylindrical pre-motor filter positioned downstream of the cyclone air outlet and having a hollow interior; and,
- (d) a suction motor positioned in the air flow path downstream of the pre-motor filter and upstream of the clean air outlet and having a suction motor axis of rotation that is generally parallel to the cyclone axis of rotation, wherein the suction motor has an inlet end that faces towards the hollow interior.

In some embodiments, the generally cylindrical filter may have an outer upstream surface and an inner downstream surface defining the hollow interior and the suction motor axis of rotation may intersect the hollow interior.

In some embodiments, the cyclone assembly may comprise a sidewall that extends generally parallel to the cyclone axis of rotation and the upstream surface of the pre-motor filter may extend generally parallel to the sidewall of the cyclone assembly.

In some embodiments, the pre-motor filter may at least partially overlie the cyclone chamber.

In accordance with another aspect of this disclosure, which may be used alone or in combination with any other aspect, it may be desirable for a hand vacuum cleaner to have a compact overall form, for example so it can be maneuvered around and/or between objects when being carried by a user while cleaning one or more surfaces. A compact form may also improve the ergonomics of the hand vacuum (e.g. the perceived balance or 'hand feel' when carried by a user). Typically, the suction motor and energy storage members (e.g. one or more batteries) may be among the heavier (if not the heaviest) individual components of the hand vacuum cleaner. While positioning the suction motor and energy storage members adjacent to each other may promote a compact design, such an arrangement may promote an undesirable concentration of mass relative to a handle of the hand vacuum cleaner. Positioning the suction motor at an upper end of a forwardly-inclined handle and rearward of at least some of the energy storage members, particularly when some or all of the energy storage members are forward of the handle, may help distribute the weight of the motor and batteries, and may affect the hand feel and/or perceived balance of the hand vacuum.

In accordance with this broad aspect, there is provided a hand vacuum cleaner having a front end, a rear end, an upper end, a lower end, and first and second laterally spaced apart sides, and comprising:

5

- (a) an air flow path extending from a dirty air inlet to a clean air outlet;
- (b) a handle having a hand grip portion that extends upwardly and forwardly when the upper end of the hand vacuum cleaner is positioned above the lower end of the hand vacuum cleaner;
- (c) a cyclone chamber positioned in the air flow path and having a cyclone air inlet, a cyclone air outlet, and a cyclone axis of rotation;
- (d) at least one energy storage member positioned in an energy storage chamber; and,
- (e) a suction motor positioned in the air flow path upstream of the clean air outlet, wherein the suction motor is located at an upper end of the handle and rearward of the at least one energy storage member when the upper end of the hand vacuum cleaner is positioned above the lower end of the hand vacuum cleaner.

In some embodiments, the suction motor may be located at an upper end of the hand grip portion.

In some embodiments, the at least one energy storage member may comprise a plurality of energy storage members wherein at least some of the plurality of energy storage members may be arranged one above another in a generally upwardly extending configuration when the upper end of the hand vacuum cleaner is positioned above the lower end of the hand vacuum cleaner and the suction motor may be positioned rearward of at least some of the energy storage members when the upper end of the hand vacuum cleaner is positioned above the lower end of the hand vacuum cleaner.

In some embodiments, the cyclone axis of rotation may intersect a volume defined by the generally upwardly extending configuration of energy storage members.

In some embodiments, the cyclone axis of rotation may extend generally in a forward/rearward direction.

In some embodiments, the at least one energy storage member may comprise a plurality of energy storage members wherein at least some of the plurality of energy storage members may be arranged one above another in a generally upwardly extending configuration when the upper end of the hand vacuum cleaner is positioned above the lower end of the hand vacuum cleaner and the suction motor may be positioned rearward of an upper end of the plurality of energy storage members when the upper end of the hand vacuum cleaner is positioned above the lower end of the hand vacuum cleaner.

In some embodiments, the cyclone axis of rotation may extend generally in a forward/rearward direction.

In some embodiments, the suction motor may be positioned above the cyclone axis of rotation when the upper end of the hand vacuum cleaner is positioned above the lower end of the hand vacuum cleaner.

In some embodiments, the hand vacuum may further comprise a pre-motor filter positioned in the air flow path downstream of the cyclone chamber, the pre-motor filter comprising a generally cylindrical filter having a hollow interior wherein the suction motor has an inlet end that faces towards the hollow interior.

In some embodiments, the generally cylindrical filter may have an outer upstream surface and an inner downstream surface defining the hollow interior and the suction motor axis of rotation may intersect the hollow interior.

In some embodiments, the cyclone chamber may comprise a sidewall that extends generally parallel to the cyclone axis of rotation and the upstream surface of the pre-motor filter may extend generally parallel to the sidewall of the cyclone chamber.

6

In some embodiments, the pre-motor filter may at least partially overlie the cyclone chamber.

In some embodiments, the dirty air inlet may have a dirty air inlet axis that extends generally rearwardly and may be positioned above the cyclone chamber.

In some embodiments, the dirty air inlet axis may intersect a volume defined by a pre-motor filter housing.

In some embodiments, the dirty air inlet axis may intersect the suction motor.

In some embodiments, the hand vacuum may further comprise a pre-motor filter positioned in the air flow path downstream of the cyclone chamber, the pre-motor filter comprising a generally cylindrical filter having a hollow interior wherein the dirty air inlet has a dirty air inlet axis that extends generally rearwardly and intersects the hollow interior.

In some embodiments, the dirty air inlet axis may intersect the suction motor.

In accordance with another aspect of this disclosure, which may be used alone or in combination with any other aspect, a hand vacuum cleaner may have an energy storage member (e.g. a battery pack that includes one or more battery cells) that is inclined so that a portion of a dirt collection region may be located below a portion of the energy storage member. Providing at least some vertical overlap between an energy storage member and a dirt collection region may help provide a relatively larger dirt chamber capacity while helping to reduce the overall size of the hand vacuum. Also, as the energy storage members (e.g. one or more batteries) may typically be among the heavier individual components of the hand vacuum cleaner, such a configuration may help provide a compact overall design, while distributing the weight of the batteries to promote a desirable hand feel and/or perceived balance of the hand vacuum.

In accordance with this broad aspect, there is provided a hand vacuum cleaner having a front end, a rear end, an upper end, a lower end, and first and second laterally spaced apart sides, and comprising:

- (a) an air flow path extending from a dirty air inlet to a clean air outlet;
- (b) a cyclone assembly positioned in the air flow path and having a cyclone assembly air inlet, a cyclone assembly air outlet, a dirt collection region, and a cyclone axis of rotation;
- (c) a suction motor positioned in the air flow path upstream of the clean air outlet; and,
- (d) a longitudinally extending battery pack wherein the battery pack extends upwardly and forwardly when the upper end of the hand vacuum cleaner is positioned above the lower end of the hand vacuum cleaner, wherein a portion of the dirt collection region is located below a portion of the battery pack.

In some embodiments, the dirt collection region may have an upper portion and a lower portion when the upper end of the hand vacuum cleaner is positioned above the lower end of the hand vacuum cleaner and the lower portion of the dirt collection region may be positioned rearwardly of the upper portion of the dirt collection region.

In some embodiments, a rear wall of the dirt collection chamber may be at a first angle to a vertical axis.

In some embodiments, the battery pack may be located in a battery pack chamber, the battery pack chamber having a front wall that is at a second angle to a vertical axis.

In some embodiments, the first and second angles may be about the same.

In some embodiments, the battery pack may extend generally linearly.

In some embodiments, the battery pack may be removably receivable in the hand vacuum cleaner.

In some embodiments, the battery pack may be removably receivable in the hand vacuum cleaner, a rear wall of the dirt collection chamber may be at a first angle to a vertical axis and the battery pack may have a front wall that is at a second angle to a vertical axis, wherein the first and second angles may be about the same.

In some embodiments, the dirt collection region may be at a lower end of the hand vacuum cleaner and the battery pack may be slidably insertable into the lower end of the hand vacuum cleaner.

Also in accordance with this broad aspect, there is provided a hand vacuum cleaner having a front end, a rear end, an upper end, a lower end, and first and second laterally spaced apart sides, and comprising:

- (a) an air flow path extending from a dirty air inlet to a clean air outlet;
- (b) a cyclone assembly positioned in the air flow path and having a cyclone assembly air inlet, a cyclone assembly air outlet, a dirt collection region, and a cyclone axis of rotation;
- (c) a suction motor positioned in the air flow path upstream of the clean air outlet; and,
- (d) a plurality of energy storage members arranged one above another in a generally upwardly extending configuration when the upper end of the hand vacuum cleaner is positioned above the lower end of the hand vacuum cleaner, the configuration having a forward side and a rearward side,

wherein a lower end of the forward side of the configuration of energy storage members is positioned rearward of another portion of the forward side of the configuration when the upper end of the hand vacuum cleaner is positioned above the lower end of the hand vacuum cleaner, and,

wherein a portion of the dirt collection region is located below at least a portion of one of the energy storage members.

In some embodiments, the dirt collection region may have an upper portion and a lower portion when the upper end of the hand vacuum cleaner is positioned above the lower end of the hand vacuum cleaner and the lower portion of the dirt collection region may be positioned rearwardly of the upper portion of the dirt collection region.

In some embodiments, a rear wall of the dirt collection chamber may be at a first angle to a vertical axis.

In some embodiments, the energy storage members may be located in an energy storage member chamber, and the energy storage member chamber may have a front wall that is at a second angle to a vertical axis.

In some embodiments, the first and second angles may be about the same.

In some embodiments, the configuration of energy storage members may extend generally linearly.

In some embodiments, the energy storage members may be removably receivable in the hand vacuum cleaner.

In some embodiments, the energy storage members may be removably receivable in the hand vacuum cleaner, a rear wall of the dirt collection chamber may be at a first angle to a vertical axis and the configuration of energy storage members may have a front side that is at a second angle to a vertical axis, wherein the first and second angles may be about the same.

In some embodiments, the dirt collection region may be at a lower end of the hand vacuum cleaner and the energy storage members may be slidably insertable into the lower end of the hand vacuum cleaner.

Also in accordance with this broad aspect, there is provided a hand vacuum cleaner having a front end, a rear end, an upper end, a lower end, and first and second laterally spaced apart sides, and comprising:

- (a) an air flow path extending from a dirty air inlet to a clean air outlet;
- (b) a cyclone assembly positioned in the air flow path and having a cyclone assembly air inlet, a cyclone assembly air outlet, a dirt collection region, and a cyclone axis of rotation;
- (c) a suction motor positioned in the air flow path upstream of the clean air outlet; and,
- (d) a power pack that extends upwardly and forwardly when the upper end of the hand vacuum cleaner is positioned above the lower end of the hand vacuum cleaner,

wherein the dirt collection region has a rear wall that extends upwardly and forwardly when the upper end of the hand vacuum cleaner is positioned above the lower end of the hand vacuum cleaner whereby at least a portion of the dirt collection region is below at least a portion of the power pack.

In some embodiments, the dirt collection region may be at a lower end of the hand vacuum cleaner and the rear wall of the dirt collection chamber may be located proximate a front side of the power pack.

In accordance with another aspect of this disclosure, which may be used alone or in combination with any other aspect, a hand vacuum cleaner may have an energy storage member (e.g. a battery pack that includes one or more battery cells) that is positioned rearward of a dirt collection region and at least partially underlies at least a portion of one or both of a cyclone chamber and a pre-motor filter. Providing at least some vertical overlap between an energy storage member and a cyclone chamber and/or a pre-motor filter may help to reduce the overall size (length front to back) of the hand vacuum and may therefore reduce the torque exerted on the hand of a user as the moment arm between the front of the hand vacuum cleaner and the handle may be reduced. Also, as the energy storage member (e.g. one or more batteries) may typically be among the heavier individual components of the hand vacuum cleaner, such a configuration may help provide a compact overall design without adversely affecting the hand feel and/or perceived balance of the hand vacuum.

In accordance with this broad aspect, there is provided a hand vacuum cleaner having a front end, a rear end, an upper end, a lower end, and first and second laterally spaced apart sides, and comprising:

- (a) an air flow path extending from a dirty air inlet to a clean air outlet;
- (b) a cyclone assembly positioned in the air flow path and having a cyclone assembly air inlet, a cyclone assembly air outlet, a cyclone chamber, a dirt collection region, and a cyclone axis of rotation;
- (c) a pre-motor filter downstream of the cyclone chamber;
- (d) a suction motor positioned in the air flow path upstream of the clean air outlet; and,
- (e) a battery pack wherein at least a portion of the battery pack is positioned rearward of the dirt collection region and at least a portion of the battery pack underlies at least a portion of one or both of the cyclone chamber and the pre-motor filter.

In some embodiments, the cyclone axis of rotation may extend generally in a forward/rearward direction.

In some embodiments, at least a portion of, or substantially all of or the entire battery pack may underlie at least a portion of the cyclone chamber, substantially all of the cyclone chamber or the entire cyclone chamber.

In some embodiments, at least a portion of, or substantially all of or the entire battery pack may underlie at least a portion of the pre-motor filter, substantially all of the pre-motor filter or the entire pre-motor filter.

In some embodiments, the battery pack may comprise at least a plurality of energy storage members wherein the energy storage members may be arranged in at least two columns in the forward/rearward direction.

In some embodiments, the dirt collection region may be at a lower end of the hand vacuum cleaner and the battery pack may be slidably insertable into the lower end of the hand vacuum cleaner.

In some embodiments, the hand vacuum may further comprise a handle and a finger gap positioned between the handle and the battery pack.

Also in accordance with this broad aspect, there is provided a hand vacuum cleaner having a front end, a rear end, an upper end, a lower end, and first and second laterally spaced apart sides, and comprising:

- (a) an air flow path extending from a dirty air inlet to a clean air outlet;
- (b) a cyclone assembly positioned in the air flow path and having a cyclone assembly air inlet, a cyclone assembly air outlet, a cyclone chamber, a dirt collection region, and a cyclone axis of rotation;
- (c) a pre-motor filter downstream of the cyclone chamber;
- (d) a suction motor positioned in the air flow path upstream of the clean air outlet; and,
- (e) a plurality of energy storage members provided in a lower portion of the hand vacuum cleaner, wherein some of the energy storage members are arranged one above another and some are arranged one behind another and wherein at least some of the energy storage members underlie at least a portion of one or both of the cyclone chamber and the pre-motor filter.

In some embodiments, at least a portion of the energy storage members may be positioned rearward of the dirt collection region.

In some embodiments, the cyclone axis of rotation may extend generally in a forward/rearward direction.

In some embodiments, the at least a portion of, or substantially all of or all of the energy storage members may underlie at least a portion of the cyclone chamber, substantially all of the cyclone chamber or the entire cyclone chamber.

In some embodiments, the at least a portion of, or substantially all of or all of the energy storage members may underlie at least a portion of the pre-motor filter, substantially all of the pre-motor filter or the entire pre-motor filter.

In some embodiments, the dirt collection region is at a lower end of the hand vacuum cleaner and the energy storage members are slidably insertable into the lower end of the hand vacuum cleaner.

In some embodiments, at least a portion of the energy storage members may be positioned rearward of the dirt collection region.

In some embodiments, the hand vacuum may further comprise a handle and a finger gap positioned between the handle and the energy storage members.

In accordance with another aspect of this disclosure, which may be used alone or in combination with any other

aspect, a hand vacuum cleaner may have a cyclone chamber with a cyclone axis of rotation that extends in a forward/rearward direction, and a suction motor with a suction motor axis that also extends in a forward/rearward direction, where the suction motor is located at an upper end of a handle of the vacuum cleaner and the suction motor axis is vertically displaced from the cyclone axis of rotation. Such a configuration may have one or more advantages. For example, it may facilitate the reduction of conduit bends and/or air flow direction changes between a dirty air inlet and a clean air outlet, thereby reducing backpressure and/or air flow losses through this portion of the hand vacuum cleaner due to a reduction in the number of bends in the air flow path. Additionally, or alternatively, such a configuration may help provide a compact overall design of the hand vacuum cleaner without adversely affecting the hand feel and/or perceived balance of the hand vacuum.

In accordance with this broad aspect, there is provided a hand vacuum cleaner having a front end, a rear end, an upper end, a lower end, and first and second laterally spaced apart sides, and comprising:

- (a) an air flow path extending from a dirty air inlet to a clean air outlet;
- (b) a handle having a hand grip portion that extends upwardly and forwardly when the upper end of the hand vacuum cleaner is positioned above the lower end of the hand vacuum cleaner, the handle being positioned at the rear end of the hand vacuum cleaner;
- (c) a cyclone chamber positioned in the air flow path and having a cyclone air inlet, a cyclone air outlet, and a cyclone axis of rotation that extends in a forward/rearward direction;
- (d) a pre-motor filter positioned downstream of the cyclone chamber and upstream of the suction motor; and,
- (e) a suction motor positioned in the air flow path upstream of the clean air outlet, wherein the suction motor has a suction motor axis of rotation that extends in a forward/rearward direction, wherein the suction motor is located at an upper end of the handle, and wherein the suction motor axis of rotation is vertically displaced from the cyclone axis of rotation when the upper end of the hand vacuum cleaner is positioned above the lower end of the hand vacuum cleaner.

In some embodiments, the suction motor may be located at an upper end of the hand grip portion.

In some embodiments, the cyclone axis of rotation may intersect the hand grip portion.

In some embodiments, the suction motor may be located rearward of the cyclone chamber.

In some embodiments, the suction motor may have an inlet that faces towards the pre-motor filter.

In some embodiments, the suction motor axis of rotation may intersect a volume defined by a pre-motor filter housing.

In some embodiments, the suction motor axis of rotation may extend through a central portion of a volume containing the pre-motor filter.

In some embodiments, the pre-motor filter may be positioned above the cyclone axis of rotation when the upper end of the hand vacuum cleaner is positioned above the lower end of the hand vacuum cleaner.

In some embodiments, the pre-motor filter may be positioned above the cyclone chamber when the upper end of the hand vacuum cleaner is positioned above the lower end of the hand vacuum cleaner.

In some embodiments, the cyclone axis of rotation may intersect the hand grip portion, the pre-motor filter may be positioned above the cyclone axis of rotation when the upper end of the hand vacuum cleaner is positioned above the lower end of the hand vacuum cleaner, and the suction motor axis of rotation may extend through a pre-motor filter housing.

In some embodiments, the pre-motor filter may comprise a generally cylindrical filter having a hollow interior wherein the suction motor axis of rotation intersects the hollow interior.

In some embodiments, after exiting a downstream side of the pre-motor filter, air travels generally linearly to the suction motor.

In some embodiments, the pre-motor filter may comprise a generally cylindrical filter having a hollow interior wherein the dirty air inlet has a dirty air inlet axis that extends generally rearwardly and intersects the hollow interior.

In some embodiments, the dirty air inlet axis may intersect the suction motor.

In some embodiments, the cyclone axis of rotation may intersect the hand grip portion.

In some embodiments, the hand vacuum may further comprise a plurality of energy storage members wherein at least some of the plurality of energy storage members are arranged one above another in a generally upwardly extending configuration when the upper end of the hand vacuum cleaner is positioned above the lower end of the hand vacuum cleaner, and the suction motor may be positioned rearward of at least some of the energy storage members when the upper end of the hand vacuum cleaner is positioned above the lower end of the hand vacuum cleaner.

In accordance with another aspect of this disclosure, which may be used alone or in combination with any other aspect, a surface cleaning apparatus may have a removable pre-motor filter assembly having an outlet conduit wherein a terminal end of the outlet conduit extends at a first angle to a direction of air flow through the outlet conduit. An advantage of this design is that the terminal end of the outlet conduit may be positioned substantially flush against another air conduit having a similarly angled terminal end without requiring lateral movement of the outlet conduit towards other conduit. Accordingly, a filter assembly may be removed and inserted by moving the filter assembly substantially perpendicular to the direction of airflow exiting the filter assembly. Such an arrangement may, for example, facilitate the use of a gasket or other sealing member between the ends of the conduits to provide an improved seal between the conduits. Such an arrangement may also eliminate the need for a biasing or other retaining mechanism to exert a force on the filter assembly to maintain a seal between the conduits.

In accordance with this broad aspect, there is provided a surface cleaning apparatus comprising:

- (a) an air flow path extending from a dirty air inlet to a clean air outlet;
- (b) an air treatment member positioned in the air flow path; and
- (c) a removable pre-motor filter assembly positioned downstream of the air treatment member and upstream of a suction motor, the pre-motor filter assembly comprising a pre-motor filter and a filter support member, the filter support member having an outlet conduit wherein a terminal end of the outlet conduit extends at a first angle to a direction of air flow through the outlet conduit.

In some embodiments, the pre-motor filter may comprise a generally cylindrical filter having a hollow interior positioned about a body portion of the filter support member having an internal filter conduit, wherein the outlet conduit is in air flow communication with the hollow interior via the internal filter conduit.

In some embodiments, the outlet conduit may be aligned with the hollow interior.

In some embodiments, the body portion of the filter support member may include a porous portion located in the hollow interior and positioned between a downstream surface of the pre-motor filter and the internal filter conduit.

In some embodiments, the hollow interior may comprise a longitudinally extending passage having an outlet end from which the outlet conduit extends away and an opposed end wherein the opposed end is sealed.

In some embodiments, the opposed end may be sealed by a sealing member that extends into the hollow interior, the sealing member having a solid wall extending inwardly and located between a downstream surface of the pre-motor filter and the passage.

In some embodiments, the filter support member may have a body portion having an internal filter conduit that may extend into a hollow interior of the pre-motor filter, the body portion may have a solid wall extending inwardly and located between a downstream surface of the pre-motor filter and the internal filter conduit.

In some embodiments, the body portion of the filter support member may include a porous portion located in the hollow interior and positioned between a downstream surface of the pre-motor filter and the internal filter conduit and is upstream of the outlet conduit.

In some embodiments, the internal filter conduit may comprise a longitudinally extending passage having an outlet end from which the outlet conduit extends away and a second end, wherein the second end is sealed.

In some embodiments, the second end may be sealed by a sealing member that extends into the hollow interior, the sealing member having a solid wall extending inwardly and located between a downstream surface of the pre-motor filter and the internal filter conduit.

In some embodiments, the sealing member and the body portion define a continuous member extending through the hollow interior.

In some embodiments, the surface cleaning apparatus may further comprise a treated air conduit extending from the outlet conduit towards the suction motor, wherein an inlet end of the treated air conduit may also extend at about the first angle to a direction of air flow through the outlet conduit.

In some embodiments, the surface cleaning apparatus may further comprise a treated air conduit extending from the outlet conduit towards the suction motor, wherein an inlet end of the treated air conduit may also extend at a second angle to a direction of air flow through the outlet conduit and the terminal end of the outlet conduit may abut the inlet end of the treated air conduit when the filter assembly is positioned in the air flow path.

In some embodiments, the first and second angles may be about the same.

In some embodiments, the surface cleaning apparatus may further comprise a gasket provided at an interface of the terminal end of the outlet conduit and the inlet end of the treated air conduit.

In some embodiments, the filter assembly may be removable in a filter assembly removal direction that is at an angle to the direction of air flow through the outlet conduit.

13

In some embodiments, the filter assembly may be removable through an openable door and a side of the terminal end that is closest to the openable door may extend further in the direction of air flow through the outlet conduit than an opposed side of the terminal end that is further from the openable door.

In some embodiments, a side of the inlet end of the treated air conduit that is furthest from the openable door may extend further in the direction of air flow through the outlet conduit than an opposed side of the inlet end that is closest to the openable door.

It will be appreciated by a person skilled in the art that an apparatus or method disclosed herein may embody any one or more of the features contained herein and that the features may be used in any particular combination or sub-combination.

These and other aspects and features of various embodiments will be described in greater detail below.

BRIEF DESCRIPTION OF THE DRAWINGS

For a better understanding of the described embodiments and to show more clearly how they may be carried into effect, reference will now be made, by way of example, to the accompanying drawings in which:

FIG. 1 is a top perspective view of a hand vacuum cleaner in accordance with one embodiment;

FIG. 2 is a bottom perspective view of the hand vacuum cleaner of FIG. 1;

FIG. 3 is a side perspective view of the hand vacuum cleaner of FIG. 1;

FIG. 4 is a rear perspective view of the hand vacuum cleaner of FIG. 1;

FIG. 5 is a front end view of the hand vacuum cleaner of FIG. 1;

FIG. 6 is a perspective view of the hand vacuum cleaner of FIG. 1, with a front door or lid in an open position;

FIG. 7 is a front end view of the hand vacuum cleaner of FIG. 1, with a front door or lid in an open position;

FIG. 8 is a perspective sectional view of the hand vacuum cleaner of FIG. 1, taken along line 8-8 in FIG. 1;

FIG. 9 is a perspective sectional view of the hand vacuum cleaner of FIG. 1, taken along line 9-9 in FIG. 5;

FIG. 10 is a cross-section view of the hand vacuum cleaner of FIG. 1, taken along line 9-9 in FIG. 5;

FIG. 11 is an enlarged view of the upper left portion of FIG. 10;

FIG. 12 is an enlarged view of the upper left portion of FIG. 10, with a pre-motor filter assembly removed;

FIG. 13 is an enlarged view of the upper left portion of FIG. 10, with a pre-motor filter assembly and an openable door removed;

FIG. 14 is a top perspective view of the upper front portion of the hand vacuum cleaner of FIG. 1, with an openable door removed to expose a pre-motor filter assembly;

FIG. 15 is a top perspective view of the upper front portion of the hand vacuum cleaner of FIG. 1, with a pre-motor filter assembly and an openable door removed;

FIG. 16 is a top plan view of the upper front portion of the hand vacuum cleaner of FIG. 1, with a pre-motor filter assembly and an openable door removed;

FIG. 17 is a top perspective view of the upper portion of the hand vacuum cleaner of FIG. 1, with a pre-motor filter assembly and an openable door removed;

14

FIG. 18 is a bottom perspective view of an openable door of a pre-motor filter chamber of the hand vacuum cleaner of FIG. 1;

FIG. 19 is a perspective view of a removable pre-motor filter assembly of the hand vacuum cleaner of FIG. 1;

FIG. 20 is an end perspective view from the outlet end of the removable pre-motor filter assembly of the hand vacuum cleaner of FIG. 19;

FIG. 21 is a perspective section view of the removable pre-motor filter assembly of the hand vacuum cleaner of FIG. 19, taken along line 21-21 in FIG. 19;

FIG. 22 is a cross section view of the removable pre-motor filter assembly of the hand vacuum cleaner of FIG. 19, taken along line 21-21 in FIG. 19;

FIG. 23 is a bottom perspective view of the lower rear portion of the hand vacuum cleaner of FIG. 1;

FIG. 24 is a bottom perspective view of the lower rear portion of the hand vacuum cleaner of FIG. 1, with a post-motor filter and a post-motor filter support removed;

FIG. 25 is a rear perspective view of a post-motor filter support of the hand vacuum cleaner of FIG. 1;

FIG. 26 is a front perspective view of the post-motor filter support of FIG. 25;

FIG. 27 is a front perspective view of the post-motor filter support of FIG. 26 and a post-motor filter;

FIG. 28 is a side view of the hand vacuum cleaner of FIG. 1, with an energy storage member partially removed;

FIG. 29 is a bottom perspective view of the hand vacuum cleaner of FIG. 1, with an energy storage member partially removed;

FIG. 30 is a side view of the hand vacuum cleaner of FIG. 1, with an energy storage member removed;

FIG. 31 is a cross-section view of the hand vacuum cleaner of FIG. 1, taken along line 9-9 in FIG. 5, with an energy storage member removed;

FIG. 32 is a perspective view of an energy storage member of the hand vacuum cleaner of FIG. 1;

FIG. 33 is a front perspective view of the energy storage member of FIG. 32;

FIG. 34 is a cross-section view of the energy storage member of FIG. 32, taken along line 34-34 in FIG. 32;

FIG. 35 is a perspective view of a hand vacuum cleaner in accordance with another embodiment;

FIG. 36 is a cross-section view of the hand vacuum cleaner of FIG. 35, taken along line 36-36 in FIG. 35;

FIG. 37 is a cross-section view of the hand vacuum cleaner of FIG. 35, taken along line 36-36 in FIG. 35, with an energy storage member partially removed;

FIG. 38 is a perspective section view of the hand vacuum cleaner of FIG. 35, taken along line 36-36 in FIG. 35, with a post-motor filter removed;

FIG. 39 is a perspective view of a hand vacuum cleaner in accordance with another embodiment;

FIG. 40 is a cross-section view of the hand vacuum cleaner of FIG. 39, taken along line 40-40 in FIG. 39;

FIG. 41 is a perspective section view of the hand vacuum cleaner of FIG. 39, taken along line 40-40 in FIG. 39, with a post-motor filter removed;

FIG. 42 is a perspective view of a hand vacuum cleaner in accordance with another embodiment;

FIG. 43 is a cross-section view of the hand vacuum cleaner of FIG. 42, taken along line 43-43 in FIG. 42;

FIG. 44 is a perspective section view of the hand vacuum cleaner of FIG. 42, taken along line 43-43 in FIG. 42;

FIG. 45 is a perspective section view of the hand vacuum cleaner of FIG. 42, taken along line 43-43 in FIG. 42, with an energy storage member removed;

15

FIG. 46 is a perspective view of a hand vacuum cleaner in accordance with another embodiment;

FIG. 47 is a cross-section view of the hand vacuum cleaner of FIG. 46, taken along line 47-47 in FIG. 46;

FIG. 48 is a perspective section view of the hand vacuum cleaner of FIG. 46, taken along line 47-47 in FIG. 46;

FIG. 49 is a perspective section view of the hand vacuum cleaner of FIG. 46, taken along line 47-47 in FIG. 46, with an energy storage member removed; and

FIG. 50 is a perspective view of the hand vacuum cleaner of FIG. 46, with a front door or lid in an open position;

The drawings included herewith are for illustrating various examples of articles, methods, and apparatuses of the teaching of the present specification and are not intended to limit the scope of what is taught in any way.

DESCRIPTION OF EXAMPLE EMBODIMENTS

Various apparatuses, methods and compositions are described below to provide an example of an embodiment of each claimed invention. No embodiment described below limits any claimed invention and any claimed invention may cover apparatuses and methods that differ from those described below. The claimed inventions are not limited to apparatuses, methods and compositions having all of the features of any one apparatus, method or composition described below or to features common to multiple or all of the apparatuses, methods or compositions described below. It is possible that an apparatus, method or composition described below is not an embodiment of any claimed invention. Any invention disclosed in an apparatus, method or composition described below that is not claimed in this document may be the subject matter of another protective instrument, for example, a continuing patent application, and the applicant(s), inventor(s) and/or owner(s) do not intend to abandon, disclaim, or dedicate to the public any such invention by its disclosure in this document.

The terms “an embodiment,” “embodiment,” “embodiments,” “the embodiment,” “the embodiments,” “one or more embodiments,” “some embodiments,” and “one embodiment” mean “one or more (but not all) embodiments of the present invention(s),” unless expressly specified otherwise.

The terms “including,” “comprising” and variations thereof mean “including but not limited to,” unless expressly specified otherwise. A listing of items does not imply that any or all of the items are mutually exclusive, unless expressly specified otherwise. The terms “a,” “an” and “the” mean “one or more,” unless expressly specified otherwise.

As used herein and in the claims, two or more parts are said to be “coupled,” “connected,” “attached,” or “fastened” where the parts are joined or operate together either directly or indirectly (i.e., through one or more intermediate parts), so long as a link occurs. As used herein and in the claims, two or more parts are said to be “directly coupled,” “directly connected,” “directly attached,” or “directly fastened” where the parts are connected in physical contact with each other. None of the terms “coupled,” “connected,” “attached,” and “fastened” distinguish the manner in which two or more parts are joined together.

Furthermore, it will be appreciated that for simplicity and clarity of illustration, where considered appropriate, reference numerals may be repeated among the figures to indicate corresponding or analogous elements. In addition, numerous specific details are set forth in order to provide a thorough understanding of the example embodiments described herein. However, it will be understood by those of ordinary

16

skill in the art that the example embodiments described herein may be practiced without these specific details. In other instances, well-known methods, procedures, and components have not been described in detail so as not to obscure the example embodiments described herein. Also, the description is not to be considered as limiting the scope of the example embodiments described herein.

General Description of a Hand Vacuum Cleaner

Referring to FIGS. 1 to 34, an exemplary embodiment of a surface cleaning apparatus is shown generally as 1000. The following is a general discussion of this embodiment which provides a basis for understanding several of the features which are discussed herein. As discussed subsequently, each of the features may be used individually or in any particular combination or sub-combination in this or in other embodiments disclosed herein.

In the illustrated embodiment, the surface cleaning apparatus is a hand vacuum cleaner, which may also be referred to also as a “handvac” or “hand-held vacuum cleaner”. As used herein, a hand vacuum cleaner is a vacuum cleaner that can be operated to clean a surface generally one-handedly. That is, the entire weight of the vacuum may be held by the same one hand used to direct a dirty air inlet of the vacuum cleaner with respect to a surface to be cleaned. For example, the handle and a clean air inlet may be rigidly coupled to each other (directly or indirectly) so as to move as one while maintaining a constant orientation relative to each other. This is to be contrasted with canister and upright vacuum cleaners, whose weight is typically supported by a surface (e.g. a floor) during use.

As exemplified in FIGS. 1 to 7, surface cleaning apparatus 1000 includes a main body 1010 having a housing 1011 and a handle 1020, an air treatment member 1100 connected to the main body 1010, a dirty air inlet 1030, a clean air outlet 1040, and an air flow path extending between the dirty air inlet and the clean air outlet.

Surface cleaning apparatus 1000 has a front end 1002, a rear end 1004, an upper end or top 1006, and a lower end or bottom 1008. In the embodiment shown, dirty air inlet 1030 is at an upper portion of the front end 1102 and clean air outlet 1040 is at rearward portion of the lower end 1008. It will be appreciated that the dirty air inlet 1030 and the clean air outlet 1040 may be provided in different locations.

A suction motor 1200 (see e.g. FIG. 10) is provided to generate vacuum suction through the air flow path, and is positioned within a motor housing 1210. In the illustrated embodiment, the suction motor is positioned downstream from the air treatment member, although it may be positioned upstream of the air treatment member (e.g., a dirty air motor) in alternative embodiments.

Air treatment member 1100 is configured to remove particles of dirt and other debris from the air flow and/or otherwise treat the air flow. In the illustrated example, air treatment member 1100 includes a cyclone assembly having a single cyclonic cleaning stage with a single cyclone chamber 1110 and a dirt collection region 1122 external to the cyclone chamber. The cyclone chamber 1110 and dirt collection region 1122 may be of any configuration suitable for separating dirt from an air stream and collecting the separated dirt, respectively.

The cyclone chamber 1110 may be oriented in any direction. For example, when surface cleaning apparatus 1000 is oriented with the upper end 1106 above the lower end 1108, e.g. positioned generally parallel to a horizontal surface, a central axis or axis of rotation 1115 of the cyclone chamber 1110 may be oriented horizontally, as exemplified in FIG.

10. In alternative embodiments, the cyclone chamber may be oriented vertically, or at any angle between horizontal and vertical.

In alternative embodiments, the cyclone assembly may include two or more cyclonic cleaning stages arranged in series with each other. Each cyclonic cleaning stage may include one or more cyclone chambers (arranged in parallel or series with each other) and one or more dirt collection chambers, of any suitable configuration. The dirt collection chamber or chambers may be external to the cyclone chambers, or may be internal the cyclone chamber and configured as a dirt collection area or region within the cyclone chamber. For example, in the embodiments exemplified in FIGS. 42 to 45 and 46 to 50, a second cyclonic cleaning stage is provided in series in what may be characterized as a 'nested' configuration. As exemplified in FIG. 43, after traveling generally axially through the cyclone chamber 1110 from the front end wall 1160 toward the rear end wall 1170, air exits cyclone chamber 1110 and enters a secondary cyclone chamber. A secondary dirt collection chamber 1121 is positioned exterior to the secondary cyclone chamber and is in communication with a dirt outlet 1141 to receive dirt and debris dis-entrained from a dirty air flow by the secondary cyclone chamber. In the embodiment exemplified in FIGS. 42 to 45, air exiting the secondary cyclone chamber travels generally rearwardly and enters a pre-motor chamber 1318 via air inlet 1234. In the embodiment exemplified in FIGS. 46 to 50, the secondary cyclone air outlet faces a rear wall 1236 of the upflow duct or conduit 1230 that directs air upwardly towards a pre-motor filter 1320. Alternatively, the air treatment member need not include a cyclonic cleaning stage, and can incorporate a bag, a porous physical filter media (such as foam or felt), or other air treating means.

As exemplified in FIG. 10, hand vacuum cleaner 1000 may include a pre-motor filter housing 1310 provided in the air flow path downstream of the air treatment member 1100 and upstream of the suction motor 1200. Pre-motor filter housing 1310 may be of any suitable construction, including any of those exemplified herein. A pre-motor filter 1320 is positioned within the pre-motor filter housing 1310. Pre-motor filter 1320 may be formed from any suitable physical, porous filter media and having any suitable shape, including the examples disclosed herein with respect to a removable pre-motor filter assembly. For example, the pre-motor filter may be one or more of a foam filter, felt filter, HEPA filter, other physical filter media, electrostatic filter, and the like.

Optionally, the pre-motor filter housing 1310 may be openable (as described herein), and at least a portion of the sidewall 1316 (e.g. removable or otherwise openable door 1330) and/or one of the end walls 1312 or 1314 may be removable, openable, or otherwise re-configurable to provide access to the interior of the pre-motor filter housing 1310.

Positioning the pre-motor filter housing 1310 toward the top 1006 of the main body 1010 may help facilitate access to the pre-motor filter 1320 while the hand vacuum is resting on its base. For example, if the hand vacuum cleaner 1000 is rested upon a table or other such surface, an openable door 1330 of the pre-motor filter housing 1310 is provided at the upper end of the housing and is accessible to a user. A user could then open the pre-motor filter housing 1310 by removing or otherwise opening door 1330 while the hand vacuum 1000 rests on the table, to inspect or replace the pre-motor filter 1320, without having to use one hand to grasp the handle 1020 or otherwise support the hand vacuum.

As exemplified, hand vacuum cleaner 1000 may also include a post-motor filter 1420 provided in the air flow path downstream of the suction motor 1200 and upstream of the clean air outlet 1040. Post-motor filter 1420 may be formed from any suitable physical, porous filter media and having any suitable shape, including the examples disclosed herein. In alternative embodiments, the post-motor filter may be any suitable type of filter such as one or more of a foam filter, felt filter, HEPA filter, other physical filter media, electrostatic filter, and the like.

In the illustrated embodiment, the dirty air inlet 1030 of the hand vacuum cleaner 1000 is the inlet end 1032 of the inlet conduit 1036. Optionally, inlet end 1032 of the conduit 1036 can be used as a nozzle to directly clean a surface. The air inlet conduit 1036 is, in this example, a generally linear hollow member that extends along an inlet conduit axis 1035 that is oriented in a longitudinal forward/backward direction and is generally horizontal when hand vacuum cleaner 1000 is oriented with the upper end 1006 above the lower end 1008. Alternatively, or in addition to functioning as a nozzle, inlet conduit 1036 may be connected or directly connected to the downstream end of any suitable accessory tool such as a rigid air flow conduit (e.g., an above floor cleaning wand), a crevice tool, a mini brush, and the like. As shown, dirty air inlet 1030 is positioned forward of the air treatment member 1100, although this need not be the case. As exemplified, the dirty air inlet 1030 is positioned above the cyclone chamber. Optionally, the dirty air inlet 1030 may be provided at an alternate location, such as in the front end wall 1160.

As exemplified in FIGS. 1, 2, 5, 6, and 7, an optional accessory power coupler 1050 may be provided adjacent to the inlet conduit 1036. Accessory power coupler 1050 includes a set of electrical connectors 1056 that can inter-engage with compatible electrical connectors on an accessory tool in order to provide an electrical connection between e.g. a power source of the hand vacuum and a motor or other electrical device of an accessory tool (e.g. a powered brush roller, a light source, and the like). While the illustrated accessory power coupler 1050 is a male connector (i.e. projecting outwardly from the main body 1010 of the hand vacuum cleaner 1000), in alternative embodiments it may be a female connector (i.e. recessed inwardly) or any other shape suitable for cooperatively engaging with corresponding connectors on an accessory tool or other attachment. As exemplified, the accessory power coupler 1050 may be positioned laterally to one side of the inlet conduit 1036. In other examples, the accessory power coupler 1050 may be located above or below the inlet conduit 1036.

As exemplified, power may be supplied to the suction motor and other electrical components of the hand vacuum cleaner from an onboard energy storage member which may include, for example, one or more batteries or other energy storage device. In the illustrated embodiment, the hand vacuum cleaner 1000 includes a removable battery pack 1500 provided between the handle 1020 and the air treatment member 1100. Battery pack 1500 is described in further detail herein. In alternative embodiments, a battery pack may not be provided and power may be supplied to the hand vacuum cleaner by an electrical cord connected to the hand vacuum cleaner (not shown) that can be connected to a standard wall electrical outlet.

Optionally, a forward surface of the handle 1020 and a rearward surface of the battery pack 1500 may cooperatively define a finger gap 1028 therebetween (see e.g. FIG. 10). An advantage of this design is that the absence of an intervening portion of main housing 1010 between the handle and the

energy storage member may facilitate a more compact overall size of hand vacuum **1000**.

As exemplified, a power switch **1060** may be provided to selectively control the operation of the suction motor (e.g. either on/off or variable power levels or both), for example by establishing a power connection between the batteries and the suction motor. The power switch may be provided in any suitable configuration and location, including a button, rotary switch, sliding switch, trigger-type actuator and the like. As illustrated in FIG. 4, power switch **1060** is in the form of a button located toward upper end of the rear end **1004** of the hand vacuum cleaner, above a hand grip portion **1026** of the handle **1020**. In this position, a user may be able to access the button **1060** while holding the hand vacuum via the hand grip, e.g. with the thumb of the hand holding the handle, and/or with a digit of their other hand.

The power switch or an alternate controller may also be configured to control other aspects of the hand vacuum (brush motor on/off, etc.). Optionally, instead of being provided at an upper end of the handle, the power switch may be provided on the main body (such as on the motor housing or other suitable location).

As exemplified in FIG. 4, an optional information display device **1070** may be provided to display one or more visual indications to a user. For example, the display device **1070** may provide a visual indication of: when suction motor is on; the current power level of the suction motor (if applicable); the current battery charge level; an estimated time until the battery charge will be depleted, and/or similar information. The display device **1070** may include one or more light sources (e.g. light emitting diodes (LEDs)), display screens (e.g. a liquid crystal, an LED screen, an organic light emitting diode (OLED) screen, and the like). The screen, and associated electronics, may be used to display status information of one or more electrical components of the hand vacuum cleaner.

In the illustrated embodiment, the information display device is in the form of a display screen **1070** that is provided at the upper end **1022** of the handle **1020**. A first display portion **1072** is configured to display an indication of whether the hand vacuum cleaner is in a floor cleaning mode or in a carpet cleaning mode (e.g. where power is being supplied to a brush roller of an accessory tool via electrical connectors **1056**), and a second portion **1074** is configured to display an indication of a power mode of the suction motor (e.g. a regular power mode, a higher power mode, and/or a higher power 'burst' mode).

Air Flow Path Through a Hand Vacuum Cleaner

The following is a description of different features of an air flow path through a hand vacuum cleaner. These features may be used by themselves in any surface cleaning apparatus or in any combination or sub-combination with any other feature or features described herein. For example, any of the airflow configurations described herein may be used with any of the pre-motor filter assemblies, relative positioning of the suction motor and energy storage members, inclined battery packs, battery pack configurations, airflow cooling configurations, and other features described herein.

As exemplified, the air treatment member **1100** of the hand vacuum cleaner **1000** may optionally be a single cyclonic cleaning stage with unidirectional air flow or a 'uniflow' cyclone chamber **1110** (i.e. where the cyclone air inlet and cyclone air outlet are at opposite ends of the cyclone chamber). Referring primarily to FIGS. 9 and 10, hand vacuum cleaner **1000** includes a single cyclonic cleaning stage with a cyclone chamber **1110** that has a cyclone air inlet **1120** in fluid communication with the inlet conduit

1036, a cyclone air outlet **1130**, and a dirt outlet **1140** that is in communication with a dirt collection chamber **1122**.

Optionally, the cyclone chamber **1110** may be generally horizontally oriented so that the cyclone air inlet **1120** is located toward the front end **1002** of the hand vacuum cleaner **1000**, and the cyclone air outlet **1130** is spaced rearwardly behind the cyclone air inlet **1120**, at a rear end **1114** of the cyclone chamber **1110**. From the cyclone air outlet **1130**, an upflow duct or conduit **1230** directs the airflow upwards to a pre-motor filter chamber **1310** that is vertically spaced from the cyclone chamber **1110**. After passing through the pre-motor filter **1320**, air may travel generally rearwardly from the pre-motor filter **1320** to an inlet end **1202** of the suction motor **1200**. An advantage of this arrangement is that, by promoting air to travel in this manner, the need for air flow direction changes between an air outlet of the pre-motor filter and the suction motor may be reduced or eliminated, thereby reducing backpressure and/or air flow losses through this portion of the hand vacuum cleaner. An additional, or alternative, advantage of providing a pre-motor filter chamber **1310** that is vertically spaced from the cyclone chamber **1110** is that the need for air flow direction changes between a cyclone air outlet and the suction motor may be reduced, thereby reducing backpressure and/or air flow losses through this portion of the hand vacuum cleaner. For example, any airflow in a forward direction may take place within the pre-motor filter chamber or header **1310**, as opposed to taking place in a (typically narrower) conduit that directs airflow in a direction opposite to the airflow through the dirty air inlet. An additional, or alternative, advantage of providing a pre-motor filter chamber **1310** that is vertically spaced from the cyclone chamber **1110**, and optionally above the cyclone chamber **1110**, is that the length (front to back) of the hand vacuum cleaner may be reduced, providing a more compact configuration.

FIGS. 1 to 34 exemplify one embodiment of a hand vacuum cleaner **1000** having a cyclone unit that includes a uniflow cyclone chamber **1110** and a dirt collection chamber **1122** that is positioned exterior to the cyclone chamber **1110** and is in communication with the dirt outlet **1140** to receive dirt and debris dis-entrained from a dirty air flow by the cyclone chamber **1110**. In the illustrated example, the cyclone air inlet **1120** and dirt outlet **1140** are positioned toward opposing ends of the cyclone chamber **1110**, and the cyclone air outlet **1130** is provided toward the same end as the dirt outlet **1140** (the rear end as illustrated). In this configuration, dirty air can enter at the front end of the cyclone chamber, while cleaner air and the separated dirt particles both exit the cyclone chamber at the opposing rear end.

In this embodiment, the cyclone chamber **1110** has a front end wall **1160** and an opposing rear end wall **1170** that is spaced apart from the front end wall along the cyclone axis **1115** about which air circulates within the cyclone chamber **1110** during operation of the hand vacuum cleaner. A cyclone chamber sidewall **1180** extends between the front and rear end walls **1160**, **1170**. In the illustrated example, when the hand vacuum is oriented with the upper end above the lower end, the cyclone axis **1115** is generally horizontal, and is closer to horizontal than vertical, e.g., $\pm 20^\circ$, $\pm 15^\circ$, $\pm 10^\circ$, or $\pm 5^\circ$ from the horizontal. As exemplified, the cyclone axis **1115** is substantially parallel to, e.g. within $\pm 20^\circ$, $\pm 15^\circ$, $\pm 10^\circ$, or $\pm 5^\circ$, and vertically offset below the conduit axis **1035** of the air inlet conduit **1036**, and the cyclone chamber **1110** and dirt collection chamber **1122** are both below the inlet conduit axis **1035**. As illustrated in FIG. 10, when the hand vacuum **1000** is horizontal (as illus-

trated), the pre-motor filter **1320** is vertically spaced from (e.g. above) the cyclone axis **1115**, and the suction motor **1200** is positioned rearward of the pre-motor filter **1320**, so that air travels generally rearwardly from the pre-motor filter to the suction motor.

In this embodiment, the cyclone air inlet **1120** is a tangential air inlet that, as exemplified, terminates at an aperture or port that is formed in cyclone sidewall **1180**, optionally an upper portion **1182** of the cyclone sidewall **1180**, adjacent the front end wall **1160**. Optionally, the cyclone air inlet **1120** may be provided at an alternate location, such as in the front end wall **1160**.

The cyclone air inlet **1120** is fluidly connected with the outlet end of the conduit **1036** via a corresponding air outlet aperture or port **1038** that may be provided in a lower portion of the air inlet conduit **1036**. The cyclone air inlet **1120** may have any suitable arrangement and/or configuration, and in the illustrated example is configured as a tangential air inlet that is directly connected to the air outlet aperture **1038**. Connecting the air inlet **1120** to the air outlet aperture **1038** in this manner may help reduce the need for additional conduits to fluidly connect the dirty air inlet **1030** to the cyclone chamber **1110**, and may reduce or eliminate the need for additional bends or air flow direction changes between the dirty air inlet **1030** and the cyclone chamber **1110**. Reducing the conduit length and number of bends may help reduce the backpressure and air flow losses within the air flow path.

Positioning the cyclone air inlet **1120** toward the front of the cyclone chamber **1110** may help facilitate a desired air flow configuration within the cyclone chamber **1110**. For example, in this configuration the cyclone chamber **1110** itself functions as part of the air flow path that conveys air rearwardly from the front **1002** of the hand vacuum **1000**, without the need for a separate fluid conduit.

In the illustrated example, cyclone air inlet **1120** is directly adjacent the front wall **1160**. Alternatively, cyclone air inlet **1120** may be axially spaced from the front end wall **1160**, and may be located at another location along the length of the cyclone chamber **1110**. Preferably, cyclone air inlet **1120** is provided in the front half of the cyclone chamber **1110** (i.e. forward of the axial mid-point of the cyclone chamber sidewall **1080**) in order to help reduce the distance between the dirty air inlet **1030** and the cyclone air inlet **1120**.

As shown in FIG. **10**, the cyclone air outlet **1130** is provided in the rear end wall **1170** of the cyclone chamber **1110**, and an axially extending vortex finder conduit **1136** extends from the rear end wall **1170** and is aligned with the cyclone air outlet **1130**. Optionally, a mesh screen (not shown) may be positioned over some or all of the inlet apertures **1138** of the vortex finder conduit **1136** to help inhibit lint, hair, and other such debris from entering the vortex finder conduit **1136**. Positioning the air outlet **1130** toward the rear end (and optionally in the rear end wall **1170**) may help facilitate the desired air flow through the cyclone chamber **1110**, such that air, while swirling, travels generally axially through the cyclone chamber **1110** from the front end wall **1160** toward the rear end wall **1170**.

Positioning the air outlet **1130** in the rear end wall **1170** of the cyclone chamber **1110** may also help facilitate the air flow connection between the cyclone chamber **1110** and other downstream components in the hand vacuum, such as the pre-motor filter housing **1310** and suction motor housing **1210** described herein. In the illustrated embodiment the air outlet **1130** is provided in the rear end wall **1170** and is connected to the pre-motor filter housing **1310** through an

upflow duct or conduit **1230**. This may help simplify the air flow path and construction of the hand vacuum. Alternatively, the air flow path may include one or more additional conduits connected downstream from the cyclone air outlet.

In this arrangement, air travelling through the hand vacuum **1000** will travel generally rearwardly along the air inlet conduit **1036** (i.e. parallel to the conduit axis **1035** and then enter a tangential air inlet which essentially changes the direction of the air to travel generally downwardly through the cyclone air inlet **1120** (i.e. generally orthogonal to the cyclone axis **1115**). The air can then circulate within the cyclone chamber **1110**, and travel generally rearwardly toward the cyclone air outlet **1130**, and ultimately exit the cyclone chamber **1110** via the cyclone air outlet **1130** while travelling through the vortex finder conduit **1136** in a rearward direction (i.e. generally parallel to the cyclone axis **1115**). In this configuration, the air flow changes direction only once (and by only approximately 90° which may be accomplished by a tangential air inlet), between entering the dirty air inlet **1030** and exiting the cyclone air outlet **1130**.

The cyclone dirt outlet **1140** may be of any suitable configuration, and in the illustrated embodiment is a slot **1140** that is provided in the cyclone chamber side wall **1180**, toward the rear end wall **1170**. The slot **1140** may extend around at least a portion of the perimeter of the cyclone side wall **1180**, and may have any suitable length **1186** in the axial direction (see e.g. FIG. **10**). As exemplified, the slot may be provided only in a lower portion of the sidewall. Accordingly, when dirty air inlet **1030** faces downwardly during use, dirt will exit into an upper end of an external dirt collection chamber. Positioning the dirt collection chamber below the cyclone chamber, and not surrounding the cyclone chamber, reduces the width of the hand vacuum. While shown directly adjacent the rear end wall **1170**, such that the slot **1140** is partially bounded by the cyclone side wall **1180** and the rear end wall **1170**, the slot **1140** may be located at another location along the length of the cyclone side wall **1180**, and need not be directly adjacent the rear end wall **1170**. Alternatively, the dirt outlet **1140** may be provided toward the mid-point of the cyclone chamber sidewall **1180**, or may be provided toward the front end wall **1160**. While illustrated with a single dirt outlet **1140**, the cyclone chamber **1110** may include two or more dirt outlets that are in communication with the same dirt collection chamber, or optionally with different dirt collection chambers.

Preferably, at least a portion of the air treatment member may be openable for emptying. For example, at least one end, and optionally both ends of the dirt collection chamber **1122** may be openable for emptying. Optionally, at least one end, and optionally both ends of the cyclone chamber **1110** may also be openable for emptying.

Referring primarily to FIGS. **9** and **10**, the front end wall **1160** of the cyclone chamber **1110** and the front end wall **1126** of the dirt collection chamber **1122** are both provided by portions of an openable front door **1190** that covers the front end of the cyclone assembly. In this arrangement, opening the front door **1190** will concurrently open the front end walls **1160** and **1126** of the cyclone and dirt collection chambers **1110**, **1122**. In the illustrated example, a user may hold the hand vacuum **1000** via the handle **1020** with one hand and open the front door **1190** with the other hand. The front end wall **1160** of the cyclone chamber **1110** and the front end wall **1126** of the dirt collection chamber **1122** may be concurrently openable and may cover all of a substantial portion of the front end of the cyclone chamber and the dirt collection chamber. For example, the front end wall **1160** of the cyclone chamber **1110** and the front end wall **1126** of the

dirt collection chamber **1122** may be a one piece assembly (i.e. they may be integrally formed).

The front door **1190** may be openably connected (e.g., pivotally openable or removably mounted) to the rest of the cyclone assembly using any suitable mechanism, including a hinge or other suitable device. Optionally, the front door **1190** may be secured in the closed position using any suitable type of locking mechanism, including a latch mechanism that may be released by a user. In the embodiment of FIGS. **1** to **34**, the front door **1190** may be opened by pivoting it about a hinge assembly **1192** from a closed position (e.g. as shown in FIG. **1**) to an open position (e.g. as shown in FIG. **6**). The front door **1190** may be secured in the closed position by a friction fit when connected as illustrated in FIG. **1**, and/or by an assembly door lock **1194** or other suitable locking mechanism. Preferably, the assembly door lock may include at least one release actuator **1196** so that a user may unlock the assembly door lock, e.g. by depressing the actuator. The actuator for opening/releasing the openable portion of the cyclone assembly may be provided on the cyclone assembly **1100** or on any other portion of the hand vacuum **1000** (such as the handle **1020**).

In the embodiments described herein, the surface cleaning apparatus includes a pre-motor filter housing **1310** positioned in the air flow path between the cyclone chamber and the suction motor. It will be appreciated that in some embodiments, the pre-motor filter may be of any configuration and the direction of air flow through the pre-motor filter **1320** may be any particular direction.

Referring primarily to FIGS. **9** and **10**, as exemplified, in some embodiments, the main body **1010** may be configured such that the suction motor housing **1210** is located rearward of the pre-motor filter housing **1310** and, preferably, axially aligned with the pre-motor filter housing **1310** such that air exiting the pre-motor filter may travel generally linearly to the suction motor. It will be appreciated that suction motor housing **1210** and pre-motor filter housing **1310** may be of any configuration

As exemplified herein, the pre-motor filter **1320** may be configured as a generally cylindrical foam filter with a hollow, open interior and is preferably part of a removable pre-motor filter assembly, as discussed elsewhere herein. The pre-motor filter **1320**, which may be a foam filter, extends longitudinally along a filter axis **1325**, which may be generally parallel with the suction motor axis of rotation and accordingly is exemplified as being generally horizontal in the illustrated embodiment. The interior, downstream surface of filter **1320** is in communication with the air outlet **1242** via an outlet conduit **1340** of the pre-motor filter assembly. An advantage of a cylindrical filter is that a relatively large upstream surface area may be provided in a small space. A further advantage of this configuration is that, if the suction motor housing **1210** is located rearward of, and generally axially aligned with, the pre-motor filter housing **1310**, air exiting the pre-motor filter may travel rearwardly through the hollow interior and then travel rearwardly to the suction motor.

In the illustrated example, the pre-motor filter housing **1310** is positioned such that the pre-motor filter **1320** is vertically spaced from and mostly, and optionally entirely, located above the cyclone axis **1115** and also above the cyclone chamber. Put another way, pre-motor filter **1320** mostly, and optionally entirely, overlies the cyclone chamber. In other embodiments, only a portion of the pre-motor filter may be above the cyclone axis **1115** and optionally also above the cyclone chamber.

Referring to FIG. **10**, in the illustrated example the pre-motor filter housing **1310** has forward and rear end walls **1312** and **1314**, and a chamber sidewall **1316** defining a pre-motor filter chamber or plenum **1318**. Optionally, the pre-motor filter is removable, such as providing a removable or otherwise openable door **1330**. Door **1330** may extend between forward and rear end walls **1312** and **1314**. The housing **1310** also has an air inlet **1234** that is connected downstream from the cyclone air outlet **1130** via upflow duct **1230**, and an air outlet **1242** positioned in the rear end wall **1314**. In the illustrated example, the housing air inlet **1234** is located toward the rear end of the housing **1310**. To travel from the air inlet **1234** to the air outlet **1242**, air passes through the pre-motor filter **1320** positioned within the chamber **1318**.

As the pre-motor filter **1320** is positioned above the cyclone air outlet, air travels upwardly to the pre-motor filter chamber **1318**. As exemplified herein, the pre-motor filter may be in the shape of a hollow cylinder which has a central axis that is generally parallel with the suction motor axis of rotation. An advantage of this configuration is that, after the air travels upwardly to the pre-motor filter chamber **1318**, in order to try to balance the forces in the pre-motor filter chamber **1318**, the air will tend to spread across the chamber. Therefore, without using a 90° bend to direct the air to the front part of the pre-motor filter, a plenum is used to distribute the air across the upstream surface of the pre-motor filter. In accordance with this configuration, air travels to the filter housing **1310** in a generally upward direction, where it disperses in the pre-motor filter chamber **1318** and circulates around and through the outer, upstream surface of filter **1320**, and exits the housing air outlet **1242** in a generally rearward direction into the suction motor housing inlet end **1212**.

In the illustrated example, the suction motor **1200** is generally horizontally oriented, such that the suction motor axis of rotation **1205** is generally horizontal (e.g., ±20°, ±15°, ±10°, or ±5° from horizontal) when the hand vacuum cleaner is positioned with the upper end above the lower end (as illustrated in FIG. **10**). In this arrangement, the suction motor axis **1205** is generally parallel to the cyclone axis **1115** and the pre-motor filter axis **1325**.

In the example configuration illustrated in FIG. **10**, an inlet end **1202** of the suction motor **1200** faces towards a hollow interior of the pre-motor filter. In such a configuration, air may travel generally linearly from the pre-motor filter **1320** to the suction motor **1200**. An absence of air flow direction changes between an air outlet of the pre-motor filter and the suction motor may reduce backpressure and/or air flow losses through this portion of the hand vacuum cleaner.

Also, positioning the suction motor at an upper end of a handle of the vacuum cleaner with the suction motor axis vertically displaced from the cyclone axis of rotation may facilitate the reduction of air flow conduit bends and/or air flow direction changes between a dirty air inlet and a clean air outlet, thereby reducing backpressure and/or air flow losses through the hand vacuum cleaner. Additionally, or alternatively, such a configuration may help provide a compact overall design of the hand vacuum cleaner without adversely affecting the hand feel and/or perceived balance of the hand vacuum.

It will be appreciated that the air may exit the hand vacuum cleaner via a grill located in an upper portion of the main body (e.g., via an air outlet provided in the rear end of the main body or a sidewall adjacent the rear end). Alternately, air may exit through a lower portion of the main

body. This may be achieved by conveying the air downwardly through the handle of the hand vacuum cleaner. Accordingly, as exemplified, at least a portion of the air flow path between the dirty air inlet 1030 and the clean air outlet 1040 may flow through the handle 1020. This may help facilitate a variety of different air flow path configurations and clean air outlet 1040 locations. This may also allow at least some of the air being exhausted by the suction motor 1200 to flow over, and optionally help cool, operating components that are located in the handle. Examples of such components may include controllers, circuit boards, other internal electronics and the like. One example of such electronics can include a printed circuit board (PCB) provided to control optional information display device 1070 and/or power switch 1060.

In the illustrated embodiment, a handle air flow passage 1250 has an inlet end 1252 that is located toward the top 1022 of the handle downstream from the suction motor 1200, and an outlet end 1254 that is located toward the bottom 1024 of the handle. This may help channel the air through substantially the entire length of the hand grip portion 1026 of the handle 1020.

As exemplified, the air exhausted from the suction motor 1200 is routed through the handle, and the clean air outlet 1040 is provided in the form of a plurality of slots 1430 that are formed in the lower end 1024 of the handle. Air entering the inlet end 1252 is directed through the handle 1020 and exits via the slots 1430. In this example, the slots or grill 1430 are oriented such that air exiting the clean air outlet 1040 travels generally downwardly and rearwardly from the lower end 1024 of the handle 1020. It will be appreciated that the clean air outlet may be of any design and may be located anywhere in the lower portion of the hand vacuum cleaner.

Optionally, one or more post-motor filters may be placed in the air flow path between the suction motor 1200 and the clean air outlet 1040. The post-motor filter may be provided at the clean air outlet 1040. The post motor filter may be in an openable housing. For example, as exemplified, the clean air outlet 1040 may be an openable grill. Further, the openable access panel may support the post-motor filter. For example, in the embodiment of FIGS. 1 to 34, a post-motor filter 1420 is supported by a removable tray 1410 that covers the lower end of the post-motor filter housing 1400 and provides the clean air outlet 1040 in the form of a grill. The illustrated post-motor filter 1420 is a physical foam media filter, but optionally the post-motor filters may be any suitable type of filter and may include one or more of foam filters, felt filters, HEPA filters, other physical filter media, electrostatic filters, and the like.

With references to FIGS. 23-27, removable tray 1410 includes a pair of rigid engaging projections 1440 provided on a front end 1412, and a pair of movable engaging projections 1450 extending upwardly from a rear end 1414 and resiliently biased towards the rear end. To separate the tray from the main body 1010, actuating (e.g. depressing) button 1460 results in forward movement of the movable engaging projections 1450, resulting in their disengagement from corresponding recesses 1455 in the main body, allowing the rearward end 1414 of tray 1410 to be pivoted downwardly from handle 1020. Once tray 1410 has been so pivoted, it may be translated rearwardly to remove engaging projections 1440 from corresponding recesses 1445 in the main body. To connect the tray 1410 to the main body 1010, the process may be generally reversed. That is, projections 1440 may be inserted into recesses 1445, and tray 1410 subsequently pivoted upwardly until engaging projections

1450 are secured in recesses 1455. It will be appreciated that any other constructions may be used to removably secure tray 1410 in position on the main body.

While the figures exemplify positioning the pre-motor filter and suction motor vertically spaced above the cyclone axis, it will be appreciated that the pre-motor filter and suction motor vertically spaced below the cyclone axis.

Removable Pre-Motor Filter Assembly

The following is a description of different features of a removable pre-motor filter assembly for a surface cleaning apparatus. These features may be used by themselves in any surface cleaning apparatus or in any combination or sub-combination with any other feature or features described herein. For example, any of the pre-motor filter configurations described herein may be used with any of the air flow paths, relative positioning of the suction motor and energy storage members, inclined battery packs, battery pack configurations, airflow cooling configurations, and other features described herein.

In accordance with this feature, the outlet conduit of the filter assembly may be inclined at an angle to the removal direction of the pre-motor filter assembly with the upper (or outermost portion of the outlet conduit in the removal direction) extending further in the downstream direction than the lower (or innermost portion of the outlet conduit in the removal direction). The mating downstream conduit may be similarly oriented. An advantage of this configuration is that the downstream face of the pre-motor filter assembly (which may have a sealing gasket) may be placed on the upstream face of the downstream conduit (which may have a sealing gasket) instead of one face sliding across the other, which could damage one or both gaskets.

In accordance with this feature, as exemplified, the pre-motor filter 1320 of the hand vacuum cleaner 1000 is optionally part of a removable pre-motor filter assembly 1300. FIGS. 19 to 22 exemplify one embodiment of a removable pre-motor filter assembly 1300 that includes a generally cylindrical filter 1320 supported by a filter support member 1340. Filter support member 1340 has an outlet conduit 1342 for directing an air flow after it has passed through the filter 1320. In use, air flows from an outer or upstream side 1322 of the filter 1320, through the filter media and to an inner or downstream side 1324 of the filter 1320, and to the outlet conduit 1342.

Optionally, the outlet conduit 1342 generally faces an inlet end 1202 of suction motor 1200. Therefore, as exemplified, the filter support member 1340 may be generally horizontally oriented so that the pre-motor filter axis 1325 extends in a generally forwards/rearwards direction (from front end 1321 to rear end 1323 of the pre-motor filter assembly) when the hand vacuum cleaner 1000 is oriented with the upper end above the lower end, and the outlet conduit 1342 faces generally rearwardly, and optionally directly faces an inlet end 1202 of suction motor 1200. From the outlet conduit 1342, a treated air conduit 1246 directs the airflow rearwards to an inlet end 1202 of suction motor 1200 that is horizontally spaced from the pre-motor filter 1320.

As illustrated in FIGS. 19 to 22, filter support member 1340 has a main body portion 1350 that is located in a hollow interior of the generally cylindrical filter 1320. In the illustrated embodiment, an outer surface of main body portion 1350 is flush with a downstream or inner surface 1324 of filter 1320, and the downstream surface 1324 is in air flow communication with an internal filter conduit 1356. More specifically, in the illustrated example a plurality of apertures 1351 define a porous portion of the filter support member 1340 between a first end 1352 and a second end

1354 of the main body portion 1350. It will be appreciated that more or fewer apertures may be provided in alternative embodiments. Accordingly, if filter 1320 is sealed to or seats securely on body portion 1350, air will be inhibited from travelling between the outer surface of main body portion 1350 and the inner surface 1324 of filter 1320 to thereby bypass the filter media.

The outlet conduit 1342 extends from the second end 1354 of the main body portion 1350. The second or opposed end 1352 of the main body portion 1350 may be sealed to or may seat securely on the second end 1354 of the main body portion 1350 to inhibit and preferably prevent air from exiting the internal filter conduit 1356 from the second end, so that substantially and preferably all of the air that exits the downstream side 1324 of the pre-motor filter 1320 is directed through outlet conduit 1342.

In order to inhibit or prevent air exiting through the front end of the internal filter conduit 1356, the front end of the main body portion 1350 may be closed. As exemplified, an end wall 1362 is provided to cap the opposed end 1352 of the main body portion 1350. Optionally, end wall 1362 has an outwardly projecting portion 1363 to facilitate positioning the pre-motor filter assembly 1300 in a surface cleaning apparatus, as discussed further below.

Optionally, flanges or other sealing members may be provided at one or both ends of the main body portion 1350 to inhibit or prevent airflow from flowing between pre-motor filter 1320 and filter support member 1340 and to the internal filter conduit 1356, e.g. effectively bypassing the pre-motor filter. In the illustrated example, a circumferential bypass flange 1358 is provided at the second end 1354 of the main body portion 1350.

The pre-motor filter assembly may be seated in position in the pre-motor filter housing by any means known in the art. As exemplified, one or more alignment or seating members may be provided on one or both of the front and rear ends 1321, 1323 of the pre-motor filter assembly.

In the illustrated example, a pair of alignment flanges 1370 extend from an axially longer (outermost) side of outlet conduit 1342. Flanges 1370 may facilitate in the seating and/or alignment of pre-motor filter assembly 1300 within a pre-motor filter chamber. For example, in the illustrated example the flanges 1370 may be configured to act as camming surfaces with one or more projections from an internal surface of the openable door 1330 of the pre-motor filter chamber. As shown in FIG. 18, openable door 1330 has an inwardly extending projection 1338 that has a width approximately equal to a radial distance between flanges 1370. In this arrangement, as openable door 1330 is closed, projection 1338 is configured to come into contact with both flanges 1370, thereby promoting a predetermined orientation of pre-motor filter assembly 1300 relative to the pre-motor filter housing 1310 as well as locating the outlet conduit to be aligned with the downstream air flow conduit.

Additionally, or alternatively, flanges 1370 may allow a user to grip and/or manipulate pre-motor filter assembly 1300 without having to come into contact with pre-motor filter 1320, which may become dirty during use.

Optionally, one or more support projections may be provided on one or both ends of pre-motor filter assembly 1300. In the illustrated example, a pair of support flanges 1372 extend from opposite lateral sides of outlet conduit 1342. Flanges 1372 may facilitate the support and/or alignment of pre-motor filter assembly 1300 within a pre-motor filter chamber. For example, in the illustrated example the flanges 1372 may be configured to rest on corresponding support surfaces provided at the rearward end of the pre-

motor filter chamber. As shown in FIGS. 15-17, surfaces 1313 are formed in end wall 1344 of the pre-motor filter chamber 1310. Also, a surface 1311 is formed in the opposing end wall 1312. In this arrangement, as pre-motor filter assembly 1300 is lowered into the pre-motor filter chamber 1310, surfaces 1313 are configured to come into contact with and support flanges 1372, and surface 1311 is configured to come into contact with and support outwardly projecting portion 1363 of filter support member 1340, thereby promoting a predetermined vertical position and/or angle of pre-motor filter assembly 1300 relative to the pre-motor filter housing 1310.

In the illustrated embodiment, filter support member 1340 (including outlet conduit 1342, main body portion 1350, and end wall 1362) is a one piece assembly (e.g. integrally formed). In alternative embodiments, filter support member 1340 may be constructed from two or more parts.

While in the illustrated example the pre-motor filter 1320 and the filter support member 1340 are co-axial, this may not be the case in alternative embodiments.

As illustrated in FIG. 22, a downstream or terminal end 1344 of the outlet conduit 1342 is at an angle 1357 to a direction of air flow through the outlet conduit (e.g. generally parallel to a central pre-motor filter axis 1325 and/or a central filter support member axis 1355). Outlet conduit 1342 mates with air conduit 1246, which provides the air outlet 1242 from pre-motor filter chamber 1310. As discussed subsequently, the inlet end of outlet conduit 1342 may be similarly angled.

An advantage of the terminal end of the outlet conduit being at an angle of to a direction through the outlet conduit is that the removable filter assembly may be positioned substantially flush against a downstream air conduit (e.g. a conduit that leads to a suction motor) having a similarly angled terminal end without requiring lateral movement of the outlet conduit towards other conduit. For example, the filter assembly may be moved in a direction substantially perpendicular to the direction of airflow (e.g., vertically upwardly in the orientation of FIG. 11). Such an arrangement may, for example, facilitate the use of a gasket or other sealing member between the ends of the conduits to provide an improved seal between the conduits. For example, if the terminal end of the outlet conduit were perpendicular to a direction of airflow through the conduit, moving the filter assembly in a direction substantially perpendicular to the direction of airflow may shear or otherwise damage a flexible or otherwise deformable gasket (e.g. an elastomeric gasket or the like) provided at the end of the conduit to which the outlet conduit is to be aligned.

Alternatively, or additionally, such an arrangement may eliminate the need for a biasing or other retaining mechanism to exert a force on the filter assembly to maintain a seal between the conduits. For example, if the terminal end of the outlet conduit were perpendicular to a direction of airflow through the conduit, to avoid damaging a gasket or other sealing member between the conduit ends, at least the final motion to align the conduit ends may be in a direction parallel to a direction of airflow through the conduit. In such a situation, it may be necessary to maintain the application of an axial force to the pre-motor filter assembly in order to maintain an adequate seal.

As illustrated in FIGS. 11 to 17, a terminal end 1241 of the treated air conduit 1246 may also be optionally provided at an angle 1257 (see FIG. 11) to a direction of air flow through the treated air conduit 1246 that leads to the suction motor 1200. In the illustrated example, the angle 1257 is about the same as the angle 1357 between the direction of air flow

through the outlet conduit **1342** of the pre-motor filter assembly and the terminal end **1344** of the outlet conduit **1342**. This arrangement allows the outlet conduit **1342** and the treated air conduit **1246** to cooperatively define a generally linear air flow passage despite the angled terminal ends of the respective conduits.

Optionally, a gasket **1247** or other sealing member may be provided to help provide a substantially air tight seal between the terminal end **1344** of the outlet conduit **1342** and the terminal end **1241** of the treated air conduit **1246**. In the illustrated example, the gasket **1247** has a generally consistent axial length about its perimeter, e.g. to facilitate a seal between the ends **1344**, **1241** that are generally parallel to each other due to angles **1357**, **1257** being about the same. Alternatively, gasket **1247** may have a variable axial length about its perimeter, e.g. to facilitate a seal where angles **1357**, **1257** are different from each other (e.g. where ends **1344**, **1241** are not parallel).

Another advantage of the terminal end of the outlet conduit and the inlet end of conduit **1246** being at an angle to a direction through the outlet conduit is that the outlet face of the pre-motor filter assembly may be placed onto the inlet or upstream face of conduit **1246** during insertion of the pre-motor filter assembly. Further, when door **1330** is placed in the closed position, the engagement of inwardly extending projection **1338** and flanges **1370** may apply sufficient pressure to seal the end face and inhibit leakage out of the air flow conduits.

Another advantage of the terminal end of the outlet conduit being at an angle of to a direction through the outlet conduit is that the removable filter assembly may only be positionable within the surface cleaning apparatus in a single pre-determined orientation. In other words, a user may only be able to mount to the pre-motor filter assembly in a single orientation relative to the surface cleaning apparatus. This may prevent, for example, the pre-motor filter from being installed e.g. upside-down from its designed orientation, or otherwise mis-aligned. Accordingly, an asymmetric pre-motor filter media may be provided without the risk of a user improperly positioning the filter within a surface cleaning apparatus.

It will be appreciated that some of the embodiments disclosed herein may not use any of the features of the pre-motor filter assembly disclosed herein and that, in those embodiments, a pre-motor filter of any kind known in the art may be used, or a pre-motor filter may not be provided.

Inclined Battery Pack

The following is a description of different features of a hand vacuum cleaner with an inclined battery pack. These features may be used by themselves in any surface cleaning apparatus or in any combination or sub-combination with any other feature or features described herein. For example, any of the battery pack configurations described herein may be used with any of the air flow paths, pre-motor filter assemblies, relative positioning of the suction motor and energy storage members, battery pack configurations, air-flow cooling configurations, and other features described herein.

In accordance with this feature, an upper end of the battery pack may be inclined in a forward direction. Accordingly, the lower end of the battery pack may extend further rearwardly. If the dirt collection region is located adjacent a forward face of the battery pack, then the dirt collection region may extend further rearwardly, thereby enabling a larger dirt collection region to be provided.

It will be appreciated that, in many embodiments, power may be supplied to the hand vacuum cleaner **1000** by an

electrical cord connected to the hand vacuum (not shown) that can be connected to a standard wall electrical outlet. In such embodiments, the suction motor **1200** and other electronics may run on AC power supplied from a wall socket. In accordance with this feature, alternatively, or in addition to being powered by an electrical cord, the hand vacuum cleaner may include one or more onboard power sources. The power sources may be any suitable device, including, for example one or more batteries. Optionally, the batteries and battery packs may be rechargeable or may be replaceable, non-rechargeable batteries.

Battery pack **1500** may include any suitable number of cells **1510**, and may include, for example, lithium ion battery cells. Any number of cells may be used to create a power source having a desired voltage and current, and any type of battery may be used, including NiMH, alkaline, and the like. Battery pack **1500** may be of any known design and may be electrically connected to the hand vacuum cleaner by any means known in the art.

FIGS. **32** to **34** exemplify a battery pack **1500**. As exemplified, battery pack **1500** has an upper end **1506**, a lower end **1508**, a front face **1502**, and a rear face **1504**. In the illustrated example, battery pack **1500** is generally rectangular, but alternative embodiments may have any suitable shape.

In the illustrated examples, battery pack **1500** has a power coupling **1540** for supplying power (e.g. charging) the cells **1510**. Any suitable power coupling may be used, for example, a female coupling configured to receive a male coupling of an electrical cord that is connectable to a source of AC or DC power, such as a household power socket. Optionally, power coupling **1540** is accessible when the battery pack **1500** is electrically connected to hand vacuum cleaner **1000**. An advantage of such a configuration is that the battery pack may be charged without removing it from the hand vacuum cleaner **1000**. Another advantage is that it may allow for corded operation of hand vacuum cleaner **1000** when the power cells **1510** are substantially or completely discharged, as power may be supplied to the suction motor via power coupling **1540** instead of (or while) charging the cells **1510**.

Optionally, the battery pack **1500** may be removable from the rest of the hand vacuum using any mechanism known in the art. Referring to FIGS. **28** and **29**, the illustrated example battery pack **1500** is configured to be removable by sliding the battery pack downward through an aperture **1590** (see FIG. **31**) provided in the lower end **1008** of hand vacuum **1000**. Optionally, one or more guiding features may be provided on one or both of the hand vacuum **1000** and the battery pack **1500**. As illustrated in FIG. **33**, a pair of longitudinal ridges **1520** is provided on the front face **1502** of battery pack **1500**. Ridges **1520** are configured to be slidably received in corresponding grooves **1525** on an inner face of aperture **1590** (see FIG. **29**). Ridges **1520** and grooves **1525** thus cooperatively assist in aligning the battery pack as it is moved upwardly into and/or downwardly out of aperture **1590**.

In the illustrated embodiment, the upper end **1506** of the battery pack **1500** is provided with a plurality of electrical connectors **1530** that can inter-engage with compatible electrical connectors **1580** on the main body **1010** (see e.g. FIG. **29**). Engagement between the electrical connectors **1530** and **1580** can provide an electrical connection between the batteries **1510** and the suction motor **1200**, and optionally other electronics, such as display device **1070**. In this arrangement, removing the battery pack **1500** interrupts the supply of power to the suction motor **1200**, and the suction

motor **1200** is not operable when the battery pack **1500** is detached. It will be appreciated that electrical connectors **1530** may be located elsewhere on the battery pack.

The battery pack **1500** can be secured to the rest of the main body **1010** using any suitable attachment mechanism, including mechanical latches, retention catches, or any other mechanism attachment structure capable of being released to disengage and remove the battery pack. Optionally, one or more actuators for releasing the attachment mechanism may be provided on the main body **1010** (and remain with the main body when the battery pack is removed), or alternatively may be provided on the battery pack **1500** such that the actuator is removable with the battery.

Referring to FIGS. **9** and **33**, in the illustrated example battery pack **1500** is configured to be releasably secured to hand vacuum **1000** using a single latch at the lower end **1506**. The latch can be released by pressing the release actuator that is provided in the form of button **1550**. Pressing rearwardly on the button **1550** results in a disengagement of a tab **1552** from a corresponding retaining surface **1523** provided proximate to and facing towards aperture **1590**. The button **1550** is mounted to the lower end **1506** of battery pack **1500**, and is removable with the battery pack.

Alternatively, a release actuator may be provided on the main body **1010** of the hand vacuum cleaner, and a corresponding retaining surface may be provided on the battery pack **1500**. For example, in the example illustrated in FIG. **36**, a retaining surface **1523** is provided on a rear face **1504** of battery pack **1500**, and is removable with the battery pack. A release actuator that is provided in the form of button **1550** is positioned on the main body **1010** of hand vacuum **1000**. Pressing forwardly on the button **1550** results in a pivoting and disengagement of a tab **1552** from retaining surface **1523**.

Optionally, the battery pack **1500** may be configured so that it can be connected to one or more other devices/apparatuses, in addition to the hand vacuum **1000**. For example, the same battery pack **1500** that is used with the hand vacuum could be connectable to another vacuum, power tool, cleaning device (such as a mop, steam cleaner, carpet extractor, etc.) or any other suitable device to power the other device(s) that the battery pack can be connected to.

Optionally, the battery pack **1500** may have one or more output devices to e.g. provide an indication of a status of the battery pack and/or of one or more of the individual battery cells **1510**. For example, one or more visual indicators such as LEDs and/or an audio output device such as a speaker may be provided. In the example illustrated in FIG. **32**, a number of LEDs **1560** are provided along an edge between a rear face **1504** and a side face of the battery pack **1500**. An advantage of positioning the output devices along an edge of the battery pack is that the indicators may be visible from a greater range of relative orientations than if they were positioned on a single face of the battery pack.

As illustrated in FIG. **4**, another advantage of positioning the LEDs **1560a-1560c** proximate a side edge of a rear face **1504** is that they may be more readily visible to a user holding the hand vacuum cleaner **1000** in front of them. Accordingly, a user may be able to see the LEDs **1560a-1560c** while using the hand vacuum without having to re-orient the hand vacuum cleaner from a typical in-use position.

As discussed above, battery pack **1500** may include any suitable number of individual battery cells **1510**. In example illustrated in FIG. **34**, battery pack **1500** contains 7 cells **1510a-1510g**. Each cell **1510** is generally cylindrical, and the cells are arranged in a generally linear configuration (in

a column) along the height of battery pack **1500**. More specifically, cells **1510a** to **1510f** are arranged with their central longitudinal axes positioned along a battery pack axis **1505** that in the illustrated example is parallel to a front wall **1501** of the battery pack **1500**, and cell **1510g** is positioned with its central longitudinal axis offset rearwardly from axis **1505**.

As shown in FIG. **10**, in the illustrated example battery pack **1500** extends upwardly and forwardly when the upper end of the hand vacuum cleaner is positioned above the lower end of the hand vacuum cleaner. For example, battery pack axis **1505** is at an angle **1507** to the horizontal when the inlet conduit axis **1035**, cyclone axis **1115**, filter axis **1325**, and/or suction motor axis **1205** is generally horizontally oriented. For example, battery pack axis **1505** may be generally parallel to a handle axis **1025** (see FIG. **31**).

Also, in the configuration shown in FIG. **10**, a portion **1123** of the dirt collection chamber **1122** adjacent the rear end wall **1124** of the chamber **1122** is located below a portion of the battery pack **1500**. An advantage of this design (i.e. providing at least some vertical overlap between an energy storage member and a dirt collection region) is that it may help provide a relatively larger dirt chamber capacity while helping to reduce the overall size of the hand vacuum **1000**.

In the illustrated example, the rear end wall **1124** of the dirt collection chamber **1122** is at an angle to the vertical. As shown, rear end wall **1124** is generally parallel to the front wall **1501** of the battery pack **1500** and to the battery pack axis **1505**, although in alternative embodiments they may not be parallel.

Also, when the inlet conduit axis **1035**, cyclone axis **1115**, filter axis **1325**, and/or suction motor axis **1205** is generally horizontally oriented, a lower end of the front face **1502** is positioned rearward of an upper portion of the front face **1502**.

It will be appreciated that the dirt collection region may be of various shapes which occupies some or all of the additional volume created by orienting the battery pack **1500** such that the lower end extends further rearwardly.

It will be appreciated that some of the embodiments disclosed herein may not use the inclined energy storage members as disclosed herein and that, in those embodiments, any suitable positioning of the energy storage members, if provided, may be used.

Positioning of Suction Motor and Energy Storage Member

The following is a description of different features of a hand vacuum cleaner with a suction motor positioned an upper end of a forwardly-inclined handle and rearward of at least some of the energy storage members. These features may be used by themselves in any surface cleaning apparatus or in any combination or sub-combination with any other feature or features described herein. For example, any of the relative positioning of the suction motor and energy storage members described herein may be used with any of the air flow paths, pre-motor filter assemblies, inclined battery packs, battery pack configurations, airflow cooling configurations, and other features described herein.

In accordance with this feature, the batteries and the suction motor may be positioned so as to reduce the torque experienced by a user operating the hand vacuum cleaner. For example, by positioning a suction motor positioned at or rearward of an upper end of a forwardly-inclined handle and rearward of at least some of the energy storage members, the weight of the suction motor may partially counterbalance the weight of the batteries.

As previously discussed, in some embodiments, batteries used to power the hand vacuum cleaner **1000** may be provided at a single location, for example as one large battery pack **1500** that may include any suitable number of cells **1510**, and may include, for example, lithium ion battery cells.

Optionally, a battery pack **1500** may be positioned such that some or all of the battery cells **1510** are positioned forward of a suction motor. In this configuration, the distribution of the weight of the battery pack **1500** and the weight of the suction motor **1200** may affect the hand feel and/or perceived balance of the hand vacuum **1000**.

In the example illustrated in FIG. **10**, suction motor **1200** is positioned rearward of cells **1510a**, **1510b**, **1510c**, **1510d**, and **1510e** of battery pack **1500**. In the example illustrated in FIG. **43**, suction motor **1200** is positioned rearward of cells **1510a**, **1510b**, **1510d**, **1510e**, and **1510g** of battery pack **1500**. In the examples illustrated in FIGS. **36**, **40**, and **47**, all of cells **1510a-1510f** are positioned forward of the suction motor **1200**.

Suction motor **1200** is preferably positioned at the upper end of a forwardly inclined handle **1020**, as shown in the illustrated embodiments, although it may alternatively be positioned rearward of the upper end of the handle or at the lower end or at a mid-point of a handle. Additionally, or alternatively, the handle **1020** may be generally vertical or may be rearwardly inclined.

Optionally, a battery pack **1500** may be positioned such that a volume defined by the battery cells **1510** is positioned such that an axis of rotation **1115** of a cyclone chamber **1110** may intersect such a volume when the battery pack is secured to the main body **1010**. For example, the cyclone chamber **1110** may be oriented horizontally, and the battery pack **1500** may be positioned rearward of the cyclone chamber. An advantage of such a configuration is that it may facilitate a more compact design of hand vacuum **1000**.

It will be appreciated that some of the embodiments disclosed herein may not use the relative positioning of the suction motor, handle, and energy storage members as disclosed herein and that, in those embodiments, any suitable design may be used.

Nested Energy Storage Members

The following is a description of different features of a hand vacuum cleaner having an energy storage member (e.g. a battery pack that includes one or more battery cells) that is positioned rearward of a dirt collection region and at least partially underlies at least a portion of one or both of a cyclone chamber and a pre-motor filter. These features may be used by themselves in any surface cleaning apparatus or in any combination or sub-combination with any other feature or features described herein. For example, any of the battery pack configurations described herein may be used with any of the air flow paths, pre-motor filter assemblies, relative positioning of the suction motor and energy storage members, inclined battery packs, airflow cooling configurations, and other features described herein.

In accordance with this feature, the some or all of a battery pack may be located beneath some or all of a cyclone chamber and/or a pre-motor filter. For example, the dirt collection region may be configured to enable the battery pack to nest or partially nest therein. Accordingly, the overall length of the hand vacuum cleaner (in the forward/rearward direction) may be reduced, thereby providing a more compact hand vacuum cleaner.

As previously discussed, in some embodiments, batteries used to power the hand vacuum cleaner **1000** may be provided at a single location, for example as one large

battery pack **1500** that may include any suitable number of cells **1510**, and may include, for example, lithium ion battery cells.

Optionally, a battery pack **1500** may be positioned such that at least a portion of the battery pack **1500** is nested vertically spaced from a dirt collection region **1122**. For example, at least a portion of the battery pack **1500** may underlie at least a portion of one or both of a cyclone chamber **1110** and a pre-motor filter **1320**. In such a configuration, the overall size or length of the hand vacuum **1000** may be reduced.

For example, as illustrated in the embodiment of FIGS. **36** and **40**, as well as the embodiment of FIG. **43**, a battery pack **1500** is positioned rearward of a dirt collection region **1122**, and the entire battery pack **1500** is below a rearward portion of a pre-motor filter **1320**.

In the example illustrated in FIG. **47**, a battery pack **1500** is positioned rearward of a dirt collection region **1122**, and below a rearward portion of the cyclone chamber and below the pre-motor filter.

As discussed previously, battery pack **1500** may include any suitable number of individual battery cells, and the individual cells may be arranged in any suitable configuration. For example, some of the energy storage members (i.e. individual battery cells **1510**) may be arranged one above another and some may be arranged one behind another, e.g. within a single battery pack **1500**. For example, the energy storage members within a battery pack may be arranged in at least two columns in the forward/rearward direction. Accordingly, the battery pack may have a reduced height so as to assist in nesting the battery pack under a pre-motor filter and/or a cyclone chamber. An advantage of such configurations is that they may help provide a compact overall design without adversely affecting the hand feel and/or perceived balance of the hand vacuum.

As illustrated in FIG. **47**, cells **1510a-1510g** are arranged generally in two linear columns of cells. Specifically, cells **1510a**, **1510c**, **1510e**, and **1510g** are arranged in a first generally vertical column along a column axis **1505a** that in the illustrated example is adjacent and generally parallel to a front wall **1501** of the battery pack **1500**, and cells **1510b**, **1510d**, and **1510f** are arranged in a second generally vertical column along a column axis **1505b** that in the illustrated example is adjacent and generally parallel to a rear wall **1503** of the battery pack **1500**.

As illustrated in FIG. **43**, cells **1510a-1510g** are arranged generally in three linear columns of cells. Specifically, cells **1510b** and **1510e** are arranged in a first generally vertical column along a column axis **1505a** that in the illustrated example is adjacent and generally parallel to a front wall of the battery pack **1500**, cells **1510a**, **1510d**, and **1510g** are arranged in a second generally vertical column along a column axis **1505b** positioned rearward of and generally parallel to column axis **1505a**, and cells **1510c** and **1510f** are arranged in a third generally vertical column along a column axis **1505c** positioned rearward of and generally parallel to column axis **1505b**.

It will be appreciated that some of the embodiments disclosed herein may not use the nested energy storage members as disclosed herein and that, in those embodiments, any suitable positioning of the energy storage members, if provided, may be used.

Airflow Cooling of an Energy Storage Chamber

The following is a description of different features of a hand vacuum cleaner having an airflow path in which air exiting a cyclone chamber impinges on a wall of an energy storage chamber. These features may be used by themselves

in any surface cleaning apparatus or in any combination or sub-combination with any other feature or features described herein. For example, any of the airflow configurations described herein may be used with any of the air flow paths, pre-motor filter assemblies, relative positioning of the suction motor and energy storage members, inclined battery packs, battery pack configurations, and other features described herein.

Optionally, at least a portion of an air flow path between the dirty air inlet **1030** and the clean air outlet **1040** may be directed against a wall of an energy storage chamber. For example, a cyclone air outlet may face a wall of an energy storage chamber, whereby air exiting the cyclone chamber impinges on the energy storage chamber wall. In such a configuration, an airflow generated by suction motor **1200** flowing against and/or over such a wall may help cool one or more energy storage members positioned within the energy storage chamber. For example, energy storage members may include chemical batteries, such as lithium-ion batteries, that produce heat while being discharged (e.g. while supplying power to the hand vacuum **1000**). By directing a stream of air directly at, or at an angle to, a wall of a battery chamber, any boundary layer of air (which may act as an insulator) or laminar flow along a wall of a battery chamber is disrupted, thereby enabling enhanced cooling.

It will be appreciated that the battery pack may be provided in a chamber that receives a battery pack. Accordingly, there may be two walls between the impinging air stream and the batteries, i.e., a wall of the battery pack and a wall of the chamber in which the battery pack is received. Provided the walls contact each other or are adjacent, the impinging air stream will provide a cooling effect.

For example, in the examples illustrated in FIGS. **36** and **40**, cyclone air outlet **1130** faces a rear wall **1236** of the upflow duct or conduit **1230** that directs air upwardly towards a pre-motor filter **1320**. In these embodiments, rear wall **1236** is also a front wall of a recess in which battery pack **1500** is positioned. That is, rear wall **1236** is a wall of an energy storage chamber in which one or more energy storage members (e.g. individual cells **1510** and/or a battery pack **1500** containing a plurality of cells **1510**) are positioned.

It will be appreciated that some of the embodiments disclosed herein may not use the airflow cooling of an energy storage member as disclosed herein and that, in those embodiments, any suitable airflow design may be used.

As used herein, the wording “and/or” is intended to represent an inclusive-or. That is, “X and/or Y” is intended to mean X or Y or both, for example. As a further example, “X, Y, and/or Z” is intended to mean X or Y or Z or any combination thereof.

While the above description describes features of example embodiments, it will be appreciated that some features and/or functions of the described embodiments are susceptible to modification without departing from the spirit and principles of operation of the described embodiments. For example, the various characteristics which are described by means of the represented embodiments or examples may be selectively combined with each other. Accordingly, what has been described above is intended to be illustrative of the claimed concept and non-limiting. It will be understood by persons skilled in the art that other variants and modifications may be made without departing from the scope of the invention as defined in the claims appended hereto. The scope of the claims should not be limited by the preferred embodiments and examples, but should be given the broadest interpretation consistent with the description as a whole.

The invention claimed is:

1. A hand vacuum cleaner having a front end, a rear end, an upper end, a lower end and first and second laterally spaced apart sides and comprising:

- (a) an air flow path extending from a dirty air inlet to a clean air outlet;
- (b) a handle having a longitudinally extending hand grip portion having a longitudinally extending hand grip portion axis that is parallel to the handle and is oriented substantially vertically;
- (c) a cyclone chamber positioned in the air flow path and having a cyclone air inlet, a cyclone air outlet and a cyclone axis of rotation, wherein the cyclone axis of rotation is centrally located in the cyclone chamber;
- (d) at least one energy storage member positioned in an energy storage chamber; and,
- (e) a suction motor positioned in the air flow path upstream of the clean air outlet,

wherein the suction motor is positioned at an upper end of the handle and all of the suction motor is positioned rearward of the at least one energy storage member wherein the cyclone axis of rotation extends generally in a forward/rearward direction and intersects the handle.

2. The hand vacuum cleaner of claim **1** wherein the suction motor is positioned at an upper end of the hand grip portion.

3. The hand vacuum cleaner of claim **1** wherein the at least one energy storage member comprises a plurality of energy storage members wherein at least some of the plurality of energy storage members are arranged one above another in a generally upwardly extending configuration.

4. The hand vacuum cleaner of claim **3** wherein the cyclone axis of rotation intersects a volume defined by the generally upwardly extending configuration of energy storage members.

5. The hand vacuum cleaner of claim **1** wherein the at least one energy storage member comprises a plurality of energy storage members wherein at least some of the plurality of energy storage members are arranged one above another in a generally upwardly extending configuration and the suction motor is positioned rearward of an upper end of the plurality of energy storage members.

6. The hand vacuum cleaner of claim **1** wherein the suction motor is positioned above the cyclone axis of rotation.

7. The hand vacuum cleaner of claim **1** further comprising a pre-motor filter positioned in the air flow path downstream of the cyclone chamber, the pre-motor filter comprising a generally cylindrical filter having a hollow interior wherein the suction motor has an inlet end that faces towards the hollow interior.

8. The hand vacuum cleaner of claim **7** wherein the generally cylindrical filter has an outer upstream surface and an inner downstream surface defining the hollow interior and the suction motor axis of rotation intersects the hollow interior.

9. The hand vacuum cleaner of claim **8** wherein the cyclone assembly comprises a sidewall that extends generally parallel to the cyclone axis of rotation and the upstream surface of the pre-motor filter extends generally parallel to the sidewall of the cyclone assembly.

10. The hand vacuum cleaner of claim **9** wherein the pre-motor filter at least partially overlies the cyclone chamber.

11. The hand vacuum cleaner of claim **1** wherein the dirty air inlet has a dirty air inlet axis that extends generally rearwardly and is positioned above the cyclone chamber.

12. The hand vacuum cleaner of claim 11 wherein the dirty air inlet axis intersects a volume defined by a pre-motor filter housing.

13. The hand vacuum cleaner of claim 11 wherein the dirty air inlet axis intersects the suction motor. 5

14. The hand vacuum cleaner of claim 11 wherein the dirty air inlet axis intersects the suction motor.

15. The hand vacuum cleaner of claim 1 further comprising a pre-motor filter positioned in the air flow path downstream of the cyclone chamber, the pre-motor filter comprising a generally cylindrical filter having a hollow interior wherein the dirty air inlet has a dirty air inlet axis that extends generally rearwardly and intersects the hollow interior. 10

16. The hand vacuum cleaner of claim 15 wherein the dirty air inlet axis intersects the suction motor. 15

17. The hand vacuum cleaner of claim 15 wherein the dirty air inlet is positioned above the cyclone axis of rotation.

18. The hand vacuum cleaner of claim 1 wherein the upper end of the hand vacuum cleaner has the dirty air inlet. 20

* * * * *