



(12) **United States Patent**  
**Conrad et al.**

(10) **Patent No.:** **US 10,433,689 B2**  
(45) **Date of Patent:** **Oct. 8, 2019**

(54) **SURFACE CLEANING APPARATUS**  
(71) Applicant: **Omachron Intellectual Property Inc.**,  
Hampton (CA)  
(72) Inventors: **Wayne Ernest Conrad**, Hampton  
(CA); **Nina Conrad**, Hampton (CA);  
**Dave Petersen**, Bowmanville (CA)  
(73) Assignee: **Omachron Intellectual Property Inc.**,  
Hampton, Ontario (CA)  
(\* ) Notice: Subject to any disclaimer, the term of this  
patent is extended or adjusted under 35  
U.S.C. 154(b) by 118 days.

(56) **References Cited**  
**U.S. PATENT DOCUMENTS**  
1,759,947 A 5/1930 Lee  
2,071,975 A 2/1937 Holm-Hansen et al.  
(Continued)  
**FOREIGN PATENT DOCUMENTS**  
CA 1218962 A1 3/1987  
CA 2658402 A1 9/2010  
(Continued)  
**OTHER PUBLICATIONS**

(21) Appl. No.: **15/250,527**  
(22) Filed: **Aug. 29, 2016**

The International Search Report and Written Opinion received on  
the co-pending International Application No. PCT/CA2012/000185,  
dated Jun. 28, 2012.  
(Continued)

(65) **Prior Publication Data**  
US 2018/0055306 A1 Mar. 1, 2018

*Primary Examiner* — Marc Carlson  
(74) *Attorney, Agent, or Firm* — Philip C. Mendes da  
Costa

(51) **Int. Cl.**  
*A47L 5/32* (2006.01)  
*A47L 5/30* (2006.01)  
(Continued)

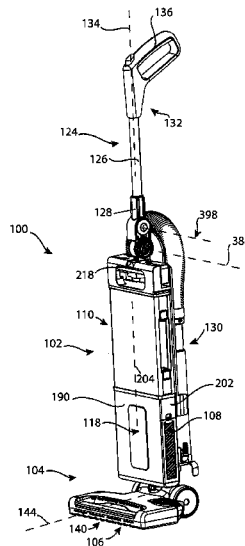
(57) **ABSTRACT**

(52) **U.S. Cl.**  
CPC ..... *A47L 5/32* (2013.01); *A47L 5/225*  
(2013.01); *A47L 5/30* (2013.01); *A47L 5/36*  
(2013.01);  
(Continued)

An upright surface cleaning apparatus has a surface cleaning  
head, a cleaning unit moveably mounted to the surface  
cleaning head between a generally upright position and a  
rearwardly inclined in use position and a push handle. The  
cleaning unit comprises a support structure and an air  
treatment member assembly, wherein the support structure is  
positioned rearward of a front face of the air treatment  
member assembly when the cleaning unit is in the generally  
upright position. The push handle comprises a longitudinally  
extending member and is mounted to the support structure  
and a portion of the air treatment member assembly extends  
rearward of the longitudinally extending member when the  
cleaning unit is in the generally upright position.

(58) **Field of Classification Search**  
CPC ... *A47L 5/32*; *A47L 5/225*; *A47L 5/30*; *A47L*  
*5/36*; *A47L 9/0036*; *A47L 9/009*; *A47L*  
*9/106*; *A47L 9/122*; *A47L 9/1608*; *A47L*  
*9/1625*; *A47L 9/165*; *A47L 9/1666*; *A47L*  
*9/1683*; *A47L 9/22*; *A47L 9/24*; *A47L*  
*9/242*; *A47L 9/325*; *A47L 9/0045*  
See application file for complete search history.

**18 Claims, 90 Drawing Sheets**



(51)	<b>Int. Cl.</b>							
	<i>A47L 7/00</i>	(2006.01)		6,079,080	A	6/2000	Rutter et al.	
	<i>A47L 9/32</i>	(2006.01)		6,080,022	A	6/2000	Shaberman et al.	
	<i>A47L 9/04</i>	(2006.01)		6,155,620	A	12/2000	Armstrong	
	<i>A47L 9/00</i>	(2006.01)		6,173,474	B1	1/2001	Conrad	
	<i>A47L 9/16</i>	(2006.01)		6,192,550	B1	2/2001	Hamada et al.	
	<i>A47L 9/22</i>	(2006.01)		6,209,925	B1	4/2001	Edin	
	<i>A47L 9/24</i>	(2006.01)		6,210,469	B1	4/2001	Tokar	
	<i>A47L 5/22</i>	(2006.01)		6,221,134	B1	4/2001	Conrad et al.	
	<i>A47L 5/36</i>	(2006.01)		6,228,260	B1	5/2001	Conrad et al.	
	<i>A47L 9/10</i>	(2006.01)		6,231,645	B1	5/2001	Conrad et al.	
	<i>A47L 9/12</i>	(2006.01)		6,251,296	B1	6/2001	Conrad et al.	
(52)	<b>U.S. Cl.</b>			6,301,740	B1	10/2001	Quiroz	
	CPC .....	<i>A47L 9/009</i> (2013.01); <i>A47L 9/0036</i>		6,310,740	B1	10/2001	Dunbar et al.	
		(2013.01); <i>A47L 9/0045</i> (2013.01); <i>A47L</i>		6,345,408	B1	2/2002	Nagai et al.	
		<i>9/106</i> (2013.01); <i>A47L 9/122</i> (2013.01); <i>A47L</i>		6,382,058	B1	5/2002	Owoc	
		<i>9/165</i> (2013.01); <i>A47L 9/1608</i> (2013.01);		6,406,505	B1	6/2002	Oh et al.	
		<i>A47L 9/1625</i> (2013.01); <i>A47L 9/1666</i>		6,440,197	B1	8/2002	Conrad et al.	
		(2013.01); <i>A47L 9/1683</i> (2013.01); <i>A47L 9/22</i>		6,463,622	B2	10/2002	Wright et al.	
		(2013.01); <i>A47L 9/24</i> (2013.01); <i>A47L 9/242</i>		6,510,583	B2	1/2003	Griffin et al.	
		(2013.01); <i>A47L 9/325</i> (2013.01)		6,531,066	B1	3/2003	Saunders et al.	
(56)	<b>References Cited</b>			6,553,612	B1	4/2003	Dyson et al.	
	U.S. PATENT DOCUMENTS			6,553,613	B2	4/2003	Onishi et al.	
				6,560,818	B1	5/2003	Hasko	
				6,561,549	B1	5/2003	Morris et al.	
				6,565,069	B2	5/2003	Morris	
				6,581,239	B1	6/2003	Dyson et al.	
				6,581,974	B1	6/2003	Ragner et al.	
				6,599,338	B2	7/2003	Oh et al.	
				6,623,539	B2	9/2003	Lee et al.	
				6,695,352	B2	2/2004	Park et al.	
				6,722,806	B2	4/2004	Kunkler et al.	
				6,736,873	B2	5/2004	Conrad et al.	
				6,746,500	B1	6/2004	Park et al.	
				6,768,073	B1 *	7/2004	Tondra .....	<i>A47L 9/2842</i>
								200/331
				6,779,229	B2	8/2004	Lee et al.	
				6,782,583	B2	8/2004	Oh	
				6,782,585	B1	8/2004	Conrad et al.	
				6,832,408	B2	12/2004	Roney et al.	
				6,833,015	B2	12/2004	Oh et al.	
				6,848,146	B2	2/2005	Wright et al.	
				6,860,799	B2	3/2005	Loveless	
				6,874,197	B1	4/2005	Conrad et al.	
				6,902,596	B2	6/2005	Conrad et al.	
				6,904,640	B2	6/2005	Jin et al.	
				6,929,516	B2	8/2005	Brochu et al.	
				6,941,615	B2	9/2005	Shanor et al.	
				6,976,885	B2	12/2005	Lord	
				7,039,985	B2	5/2006	Hirrich et al.	
				7,055,204	B2	6/2006	Ajluni	
				7,073,226	B1	7/2006	Lenkiewicz et al.	
				7,124,467	B2	10/2006	Hitzelberger et al.	
				D532,944	S	11/2006	Choi	
				7,131,165	B2	11/2006	Wright et al.	
				7,140,068	B1 *	11/2006	Vander Baan .....	<i>A47L 5/28</i>
								15/347
				7,146,681	B2	12/2006	Wright et al.	
				D535,070	S	1/2007	Shin	
				7,159,271	B2	1/2007	Sepke et al.	
				7,160,346	B2	1/2007	Park	
				7,162,796	B2	1/2007	Wark et al.	
				7,219,390	B2	5/2007	Johnson et al.	
				7,222,393	B2	5/2007	Kaffenberger et al.	
				7,281,298	B2 *	10/2007	Joung .....	<i>A47L 9/325</i>
								15/350
				7,350,263	B2	4/2008	Yoshimi et al.	
				7,356,874	B2	4/2008	Skinner Macleod et al.	
				7,377,008	B2	5/2008	Park et al.	
				7,380,308	B2	6/2008	Oh et al.	
				7,381,234	B2	6/2008	Oh	
				7,383,609	B2	6/2008	Ji	
				7,386,916	B2	6/2008	Bone	
				D581,609	S	11/2008	Conrad et al.	
				7,448,363	B1	11/2008	Rasmussen et al.	
				7,485,164	B2	2/2009	Jeong et al.	
				7,496,984	B2	3/2009	Pang	
				7,507,269	B2	3/2009	Murphy et al.	
				7,547,338	B2	6/2009	Kim et al.	

(56)	<b>References Cited</b>	2004/0237482 A1*	12/2004	Lim	.....	A47L 9/165
	U.S. PATENT DOCUMENTS					55/337
		2004/0244131 A1	12/2004	Cassar		
		2004/0250376 A1	12/2004	Hori et al.		
7,584,522 B1*	9/2009 Weeter	2004/0255426 A1	12/2004	Davis et al.		
	..... A47L 5/30	2004/0261212 A1	12/2004	Park et al.		
	15/327.6	2004/0261213 A1*	12/2004	Park	.....	A47L 5/225
7,604,675 B2	10/2009 Makarov et al.					15/328
7,645,311 B2	1/2010 Oh et al.	2004/0261215 A1*	12/2004	Ueyama	.....	A47L 5/14
7,681,279 B2*	3/2010 Kelly					15/351
	..... A47L 9/322	2005/0022340 A1*	2/2005	Hafling	.....	A47L 5/30
	15/323					15/415.1
7,686,858 B2	3/2010 Oh	2005/0039296 A1*	2/2005	Yoshimura	.....	A47L 5/30
7,779,505 B2	8/2010 Krebs et al.					15/334
7,805,807 B2	10/2010 Blocker et al.	2005/0081326 A1	4/2005	Jeon		
7,832,050 B2	11/2010 Pullins et al.	2005/0115017 A1	6/2005	Kim		
7,887,612 B2	2/2011 Conrad	2005/0115018 A1	6/2005	Jeon		
7,918,909 B2*	4/2011 McDowell	2005/0115409 A1*	6/2005	Conrad	.....	A47L 5/30
	..... A47L 5/362					95/271
	15/352	2005/0125944 A1	6/2005	Ji		
7,922,794 B2	4/2011 Morphey	2005/0125945 A1	6/2005	Park et al.		
7,941,895 B2	5/2011 Conrad	2005/0160554 A1*	7/2005	Ueyama	.....	A47L 9/1608
7,979,953 B2	7/2011 Yoo					15/353
8,020,251 B2*	9/2011 Luebbering					
	..... A47L 5/30	2005/0198769 A1	9/2005	Lee et al.		
	15/410	2005/0252179 A1	11/2005	Oh et al.		
8,032,983 B2	10/2011 Griffith et al.	2006/0026789 A1	2/2006	Fischer et al.		
8,048,180 B2	11/2011 Oh et al.	2006/0037172 A1	2/2006	Choi		
8,062,398 B2	11/2011 Luo et al.	2006/0042206 A1	3/2006	Arnold et al.		
8,100,999 B2	1/2012 Ashbee et al.	2006/0123590 A1	6/2006	Fester et al.		
8,117,713 B2	2/2012 Kasper et al.	2006/0137304 A1	6/2006	Jeong et al.		
8,127,398 B2	3/2012 Conrad	2006/0137305 A1	6/2006	Jung		
8,166,607 B2	5/2012 Conrad	2006/0137306 A1	6/2006	Jeong et al.		
8,370,993 B2	2/2013 Conrad	2006/0137309 A1	6/2006	Jeong et al.		
8,640,301 B1*	2/2014 Lee	2006/0137314 A1	6/2006	Conrad et al.		
	..... A47L 9/1691	2006/0156508 A1	7/2006	Khalil		
	15/347	2006/0156509 A1	7/2006	Luebbering et al.		
8,640,304 B2	2/2014 Conrad	2006/0156510 A1	7/2006	Park et al.		
8,661,613 B2	3/2014 Marsh et al.	2006/0156699 A1	7/2006	Kim		
8,813,297 B2*	8/2014 Rosenzweig	2006/0162298 A1	7/2006	Oh et al.		
	..... A47L 5/28	2006/0162299 A1	7/2006	North		
	15/144.1	2006/0168922 A1	8/2006	Oh		
9,027,200 B2	5/2015 Chong et al.	2006/0168923 A1	8/2006	Lee et al.		
9,173,533 B1	11/2015 Theising	2006/0207055 A1	9/2006	Ivarsson et al.		
9,232,877 B2	1/2016 Conrad	2006/0207231 A1	9/2006	Arnold		
9,254,069 B2	2/2016 Kim et al.	2006/0230715 A1	10/2006	Oh et al.		
9,326,652 B2*	5/2016 Conrad	2006/0230723 A1	10/2006	Kim et al.		
9,480,378 B2*	11/2016 Paliobeis	2006/0230724 A1	10/2006	Han et al.		
9,770,147 B2*	9/2017 Lee	2006/0230726 A1	10/2006	Oh et al.		
2001/0018865 A1*	9/2001 Wegelin	2006/0236663 A1	10/2006	Oh		
	..... A47L 5/28	2006/0248678 A1	11/2006	Park		
	95/268	2006/0278081 A1	12/2006	Han et al.		
2001/0042283 A1*	11/2001 Oh	2007/0011998 A1*	1/2007	Yoo	.....	A47L 9/1666
	..... A47L 5/28					55/337
	15/353	2007/0012002 A1	1/2007	Oh et al.		
2002/0011052 A1	1/2002 Oh et al.	2007/0012003 A1	1/2007	Oh et al.		
2002/0011053 A1	1/2002 Oh	2007/0039120 A1	2/2007	Choi		
2002/0062531 A1	5/2002 Oh	2007/0067944 A1	3/2007	Kitamura et al.		
2002/0078519 A1*	6/2002 Boothby	2007/0077810 A1	4/2007	Gogel et al.		
	..... A47L 1/06	2007/0079473 A1*	4/2007	Min	.....	A47L 5/34
	15/121					15/353
2002/0095742 A1*	7/2002 Bair	2007/0079584 A1	4/2007	Kim et al.		
	..... A47L 5/28	2007/0079585 A1	4/2007	Oh et al.		
	15/353	2007/0079587 A1	4/2007	Kim		
2002/0101075 A1	8/2002 Park et al.	2007/0084161 A1	4/2007	Yoo		
2002/0134059 A1	9/2002 Oh	2007/0095028 A1	5/2007	Kim et al.		
2002/0162188 A1	11/2002 Harmen	2007/0095029 A1	5/2007	Min et al.		
2002/0178535 A1	12/2002 Oh et al.	2007/0174994 A1	8/2007	Allard et al.		
2002/0178698 A1	12/2002 Oh et al.	2007/0266678 A1*	11/2007	Makarov	.....	A47L 5/30
2002/0178699 A1	12/2002 Oh					55/337
2003/0028994 A1	2/2003 Kitamura et al.	2007/0271724 A1	11/2007	Hakan et al.		
2003/0046910 A1	3/2003 Lee et al.	2007/0289085 A1	12/2007	Yoo		
2003/0066273 A1	4/2003 Choi et al.	2007/0289089 A1	12/2007	Yacobi		
2003/0131441 A1*	7/2003 Murphy	2007/0289264 A1	12/2007	Oh		
	..... A47L 5/28	2008/0047091 A1	2/2008	Nguyen		
	15/350	2008/0083085 A1	4/2008	Genn		
2003/0158238 A1	8/2003 Hale	2008/0134460 A1	6/2008	Conrad		
2003/0159411 A1	8/2003 Hansen et al.	2008/0134462 A1	6/2008	Jansen et al.		
2003/0163891 A1	9/2003 Nagai et al.	2008/0155774 A1	7/2008	Pang		
2003/0167595 A1	9/2003 Jin et al.					
2004/0007278 A1	1/2004 Williams					
2004/0010885 A1*	1/2004 Hitzelberger					
	..... A47L 5/28					
	15/352					
2004/0025285 A1	2/2004 McCormick et al.					
2004/0112022 A1	6/2004 Vuijk					
2004/0134022 A1*	7/2004 Murphy					
	..... A47L 5/28					
	15/353					
2004/0216266 A1	11/2004 Conrad					

(56)

References Cited

U.S. PATENT DOCUMENTS

2008/0172992 A1 7/2008 Conrad  
 2008/0172995 A1 7/2008 Conrad  
 2008/0178416 A1 7/2008 Conrad  
 2008/0196194 A1 8/2008 Conrad  
 2008/0196196 A1 8/2008 Conrad  
 2008/0216282 A1 9/2008 Conrad  
 2008/0256744 A1 10/2008 Rowntreer et al.  
 2009/0000054 A1\* 1/2009 Hampton ..... A47L 5/32  
 15/323  
 2009/0044371 A1 2/2009 Yoo et al.  
 2009/0056054 A1 3/2009 Hanschur et al.  
 2009/0144929 A1 6/2009 Yoo  
 2009/0020529 A1 8/2009 Oh  
 2009/0205160 A1 8/2009 Conrad  
 2009/0205161 A1 8/2009 Conrad  
 2009/0300873 A1 12/2009 Grey  
 2010/0005611 A1 1/2010 Hong et al.  
 2010/0071153 A1 3/2010 Genn  
 2010/0095476 A1 4/2010 Kim et al.  
 2010/0132150 A1 6/2010 Egler et al.  
 2010/0139030 A1 6/2010 Yoo  
 2010/0162515 A1 7/2010 Stephens  
 2010/0175217 A1 7/2010 Conrad  
 2010/0229315 A1 9/2010 Rosenzweig  
 2010/0229336 A1 9/2010 Conrad  
 2010/0229338 A1 9/2010 Conrad  
 2010/0242222 A1 9/2010 Conrad  
 2011/0023262 A1\* 2/2011 Conrad ..... A47L 5/225  
 15/361  
 2011/0088195 A1 4/2011 Dyson et al.  
 2011/0219573 A1\* 9/2011 Conrad ..... A47L 5/225  
 15/347  
 2011/0219579 A1\* 9/2011 Conrad ..... A47L 5/28  
 15/352  
 2011/0219580 A1\* 9/2011 Conrad ..... A47L 5/28  
 15/410  
 2011/0314629 A1 12/2011 Conrad  
 2012/0000030 A1 1/2012 Conrad  
 2012/0110775 A1\* 5/2012 Krebs ..... A47L 9/0422  
 15/347  
 2012/0159734 A1 6/2012 Fujiwara  
 2012/0233806 A1\* 9/2012 Streciwilk ..... A47L 5/28  
 15/347  
 2014/0196247 A1\* 7/2014 Kasper ..... A47L 5/30  
 15/347  
 2014/0237756 A1\* 8/2014 Conrad ..... A47L 9/0018  
 15/329  
 2014/0237768 A1 8/2014 Conrad  
 2014/0259522 A1\* 9/2014 Kasper ..... A47L 9/0477  
 15/383  
 2015/0026915 A1\* 1/2015 Conrad ..... A47L 9/12  
 15/328  
 2015/0040340 A1\* 2/2015 Bilger ..... A47L 5/225  
 15/329  
 2015/0351596 A1\* 12/2015 Thorne ..... A47L 5/28  
 15/332  
 2016/0367094 A1 12/2016 Conrad  
 2017/0055790 A1\* 3/2017 Dyson ..... A47L 5/28  
 2017/0202413 A1\* 7/2017 Tan ..... A47L 5/14  
 2017/0296006 A1\* 10/2017 Wang ..... A47L 9/1683  
 2018/0333019 A1\* 11/2018 Wang ..... A47L 5/12

CN 1806741 A 7/2006  
 CN 101061932 A 10/2007  
 CN 201101488 Y 8/2008  
 CN 101288572 A 10/2008  
 CN 101357051 A 2/2009  
 CN 202699035 U 1/2013  
 CN 103040412 A 4/2013  
 CN 103040413 A 4/2013  
 DE 3734355 C2 6/1989  
 DE 69110424 T2 2/1996  
 DE 69309275 T3 6/2002  
 DE 10110581 C2 11/2003  
 DE 69907201 T2 2/2004  
 DE 10360002 A1 12/2004  
 DE 60105004 T2 8/2005  
 DE 60201666 T2 6/2006  
 DE 69834473 T2 11/2006  
 DE 60211663 T2 5/2007  
 DE 102004028678 B4 9/2007  
 DE 102007011457 A1 10/2007  
 DE 102004055192 B4 11/2007  
 DE 102004028677 B4 1/2008  
 DE 102005008278 B4 3/2008  
 DE 112006003479 T5 12/2008  
 DE 112007001314 T5 4/2009  
 DE 602006000726 T2 4/2009  
 DE 112010001135 T5 8/2012  
 DE 112011104642 T5 10/2013  
 DE 112012000251 T5 10/2013  
 DE 102012110765 A1 5/2014  
 EP 0489468 A1 6/1992  
 EP 1771104 B1 9/2008  
 EP 966912 B1 3/2010  
 EP 2049000 B1 6/2011  
 EP 1629758 B1 10/2013  
 FR 2812531 B1 11/2004  
 GB 2163703 B 1/1988  
 GB 2365324 B 7/2002  
 GB 2460537 A \* 12/2009 ..... A47L 9/1683  
 GB 2465781 A 6/2010  
 GB 2465781 B 10/2012  
 JP 2000140533 A 5/2000  
 JP 2005040246 A 2/2005  
 JP 2005087508 A 4/2005  
 JP 2009261501 A 11/2009  
 KR 1020060031321 A 4/2006  
 WO 9619294 A1 6/1996  
 WO 0065978 A1 11/2000  
 WO 0078546 A1 12/2000  
 WO 2005089618 A2 9/2005  
 WO 2006026414 A2 3/2006  
 WO 2007084699 A2 7/2007  
 WO 2007104138 A1 9/2007  
 WO 2008017802 A1 2/2008  
 WO 2008070966 A1 6/2008  
 WO 2008070980 A1 6/2008  
 WO 2008135708 A1 11/2008  
 WO 2009026709 A1 3/2009  
 WO 2010102396 A1 9/2010  
 WO 2011054106 A1 5/2011  
 WO 2013127237 A1 9/2013  
 WO 2014131108 A1 9/2014  
 WO 2015188112 A1 12/2015

OTHER PUBLICATIONS

The International Search Report and Written Opinion received on International Application No. PCT/CA2010/000366, dated Sep. 13, 2011.  
 English machine translation of DE602006000726, as published on Apr. 16, 2009.  
 English machine translation of DE112012000251, as published on Oct. 17, 2013.  
 English machine translation of DE112011104642, as published on Oct. 2, 2011.  
 English machine translation of DE112010001135, as published on Aug. 2, 2012.

FOREIGN PATENT DOCUMENTS

CA 2674056 A1 9/2010  
 CA 2674761 A1 9/2010  
 CA 2678220 A1 9/2010  
 CA 2574291 C2 8/2013  
 CN 2524655 Y 12/2002  
 CN 2534954 Y 2/2003  
 CN 1434688 A 8/2003  
 CN 2592103 Y 12/2003  
 CN 1765283 A 5/2006

(56)

**References Cited**

OTHER PUBLICATIONS

English machine translation of DE102012110765, as published on May 15, 2014.  
English machine translation of DE102007011457, as published on Oct. 25, 2007.  
English machine translation of DE102005008278, as published on Mar. 27, 2008.  
English machine translation of DE102004055192, as published on Nov. 15, 2007.  
English machine translation of DE102004028677, as published on Jan. 10, 2008.  
English machine translation of JP2009261501, as published on Nov. 12, 2009.  
English machine translation of DE112007001314, as published on Apr. 23, 2009.  
English machine translation of DE112006003479, as published on Dec. 18, 2008.  
English machine translation of JP2005040246, as published on Feb. 17, 2005.  
English machine translation of CN103040413, as published on Apr. 17, 2013.  
English machine translation of CN103040412, as published on Apr. 17, 2013.  
English machine translation of CN101288572, as published on Oct. 22, 2008.  
English machine translation of CN101061932, as published on Oct. 31, 2007.

English machine translation of DE69907201, as published on Feb. 5, 2004.  
English machine translation of DE69834473, as published on Nov. 30, 2006.  
English machine translation of DE69309275, as published on Jun. 27, 2002.  
English machine translation of DE69110424, as published on Feb. 1, 1996.  
English machine translation of DE60211663, as published on May 10, 2007.  
English machine translation of DE60201666, as published on Jun. 1, 2006.  
English machine translation of DE60105004, as published on Aug. 18, 2005.  
English machine translation of DE10360002, as published on Dec. 16, 2004.  
English machine translation of DE10110581, as published on Nov. 13, 2003.  
English machine translation of CN1434688, as published on Aug. 6, 2003.  
English machine translation of DE102004028678, as published on Sep. 6, 2007.  
International Search Report and Written Opinion, received in connection to International Patent Application No. PCT/CA2017/051008, dated Nov. 21, 2017.  
TotalPatent: English machine translation of the Abstract from WO2013127237, published on Sep. 6, 2013.  
TotalPatent, English machine translation of the Abstract from KR1020060031321, published on Apr. 12, 2006.

\* cited by examiner

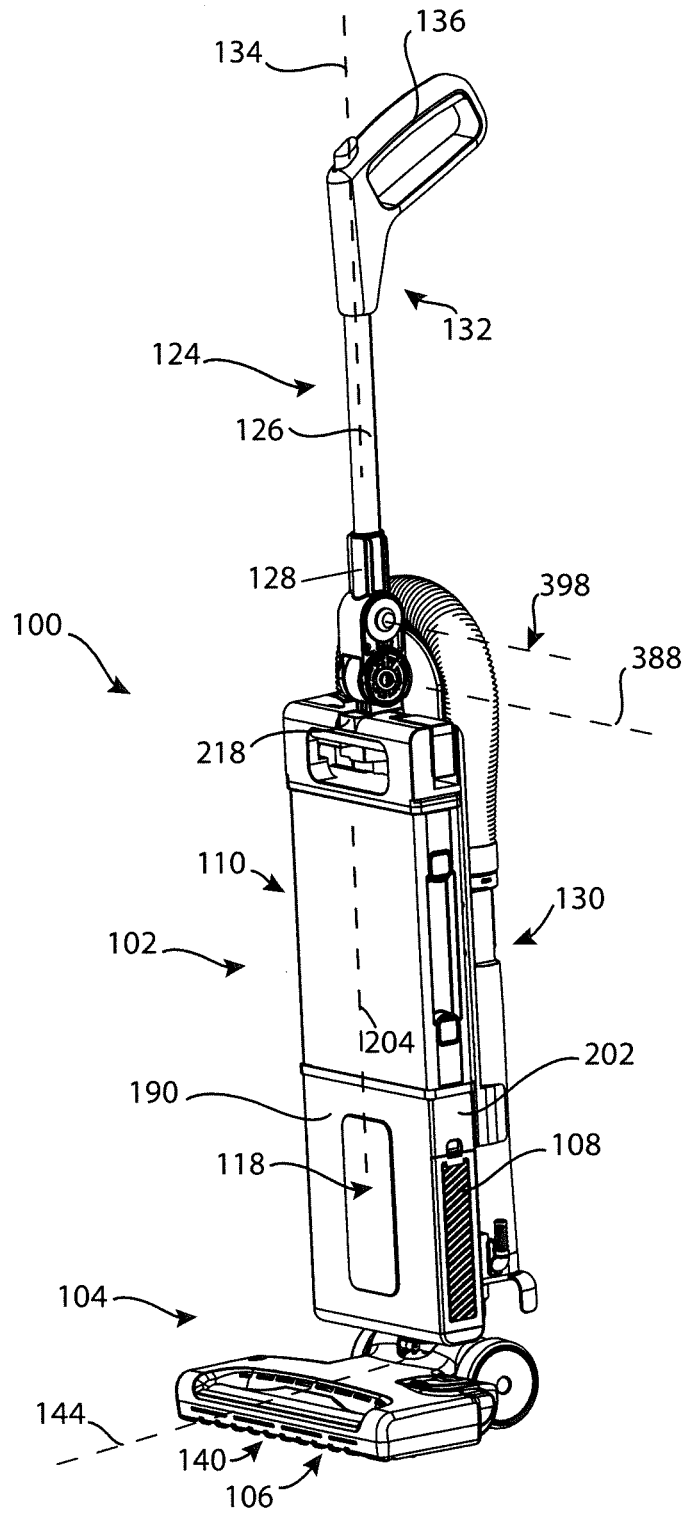


FIG. 1

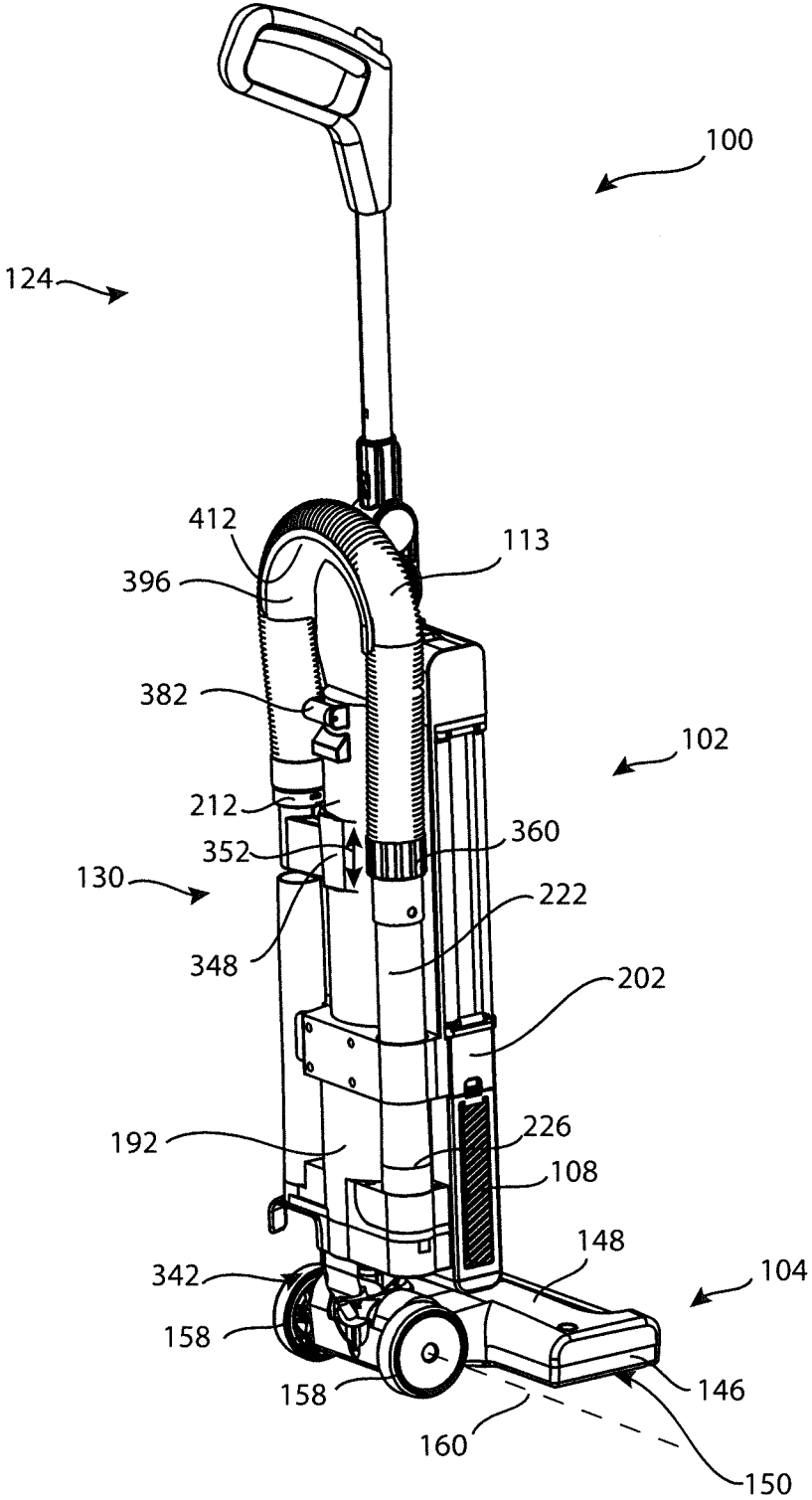


FIG. 2

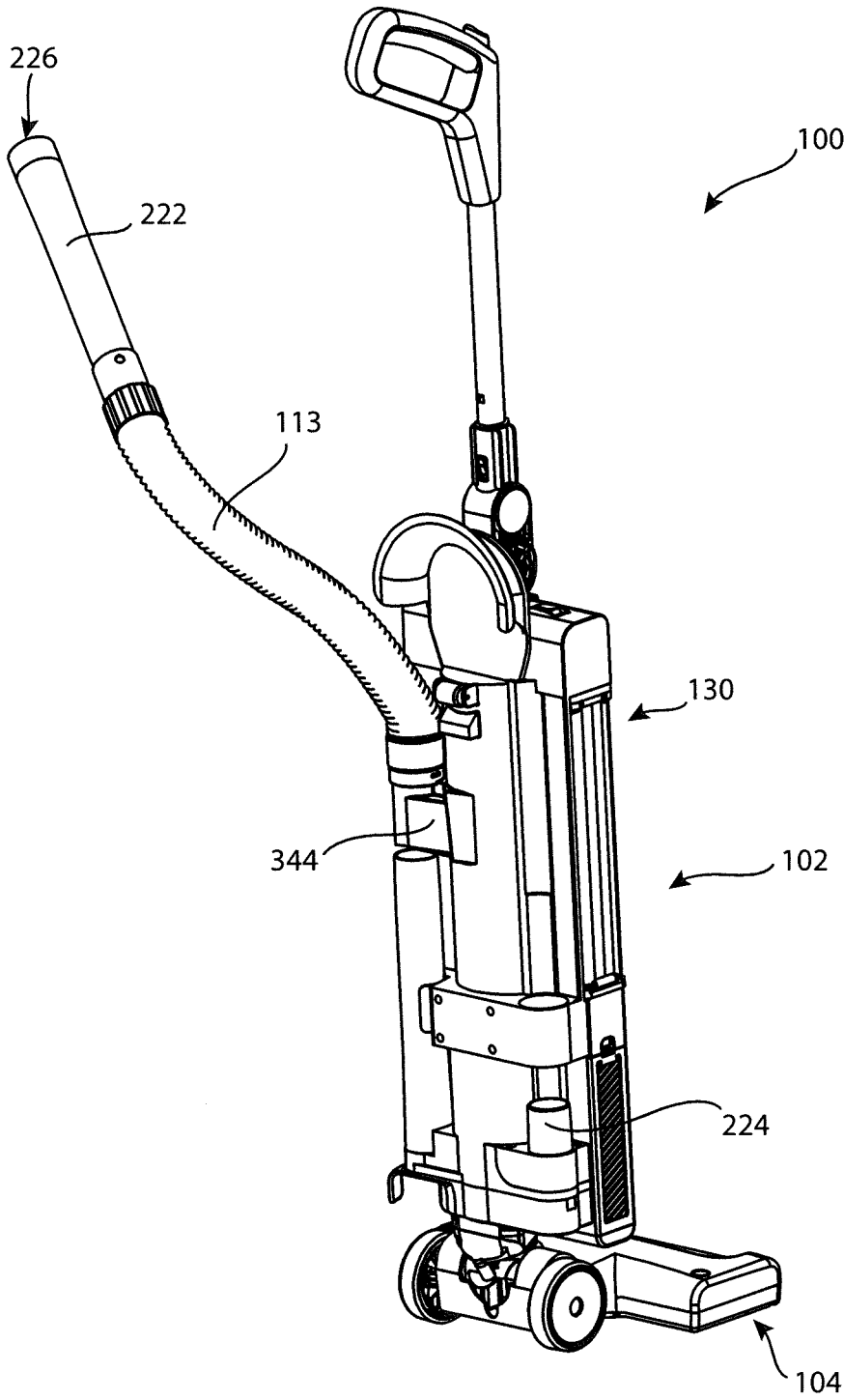


FIG. 2A



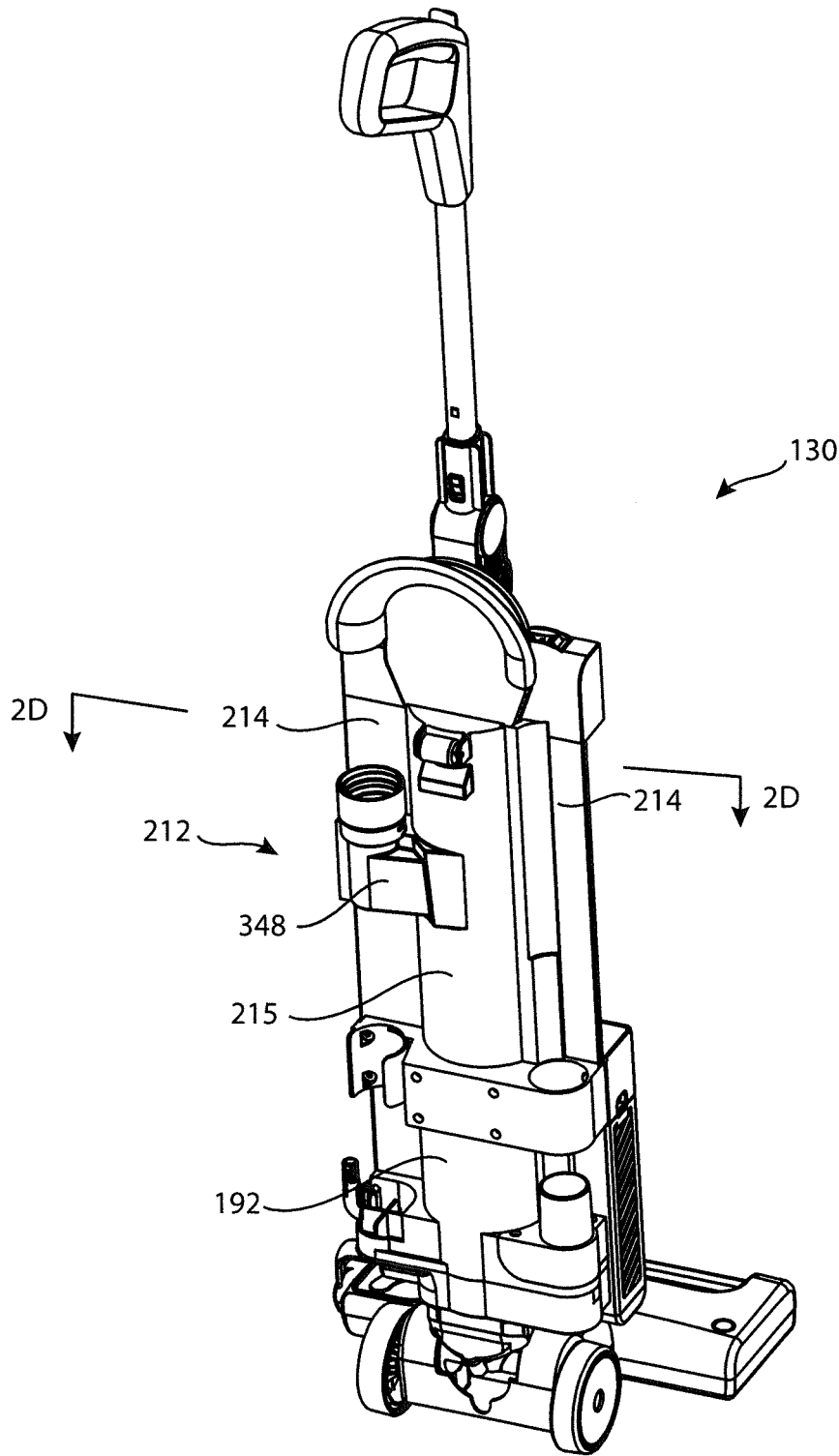


FIG. 2B

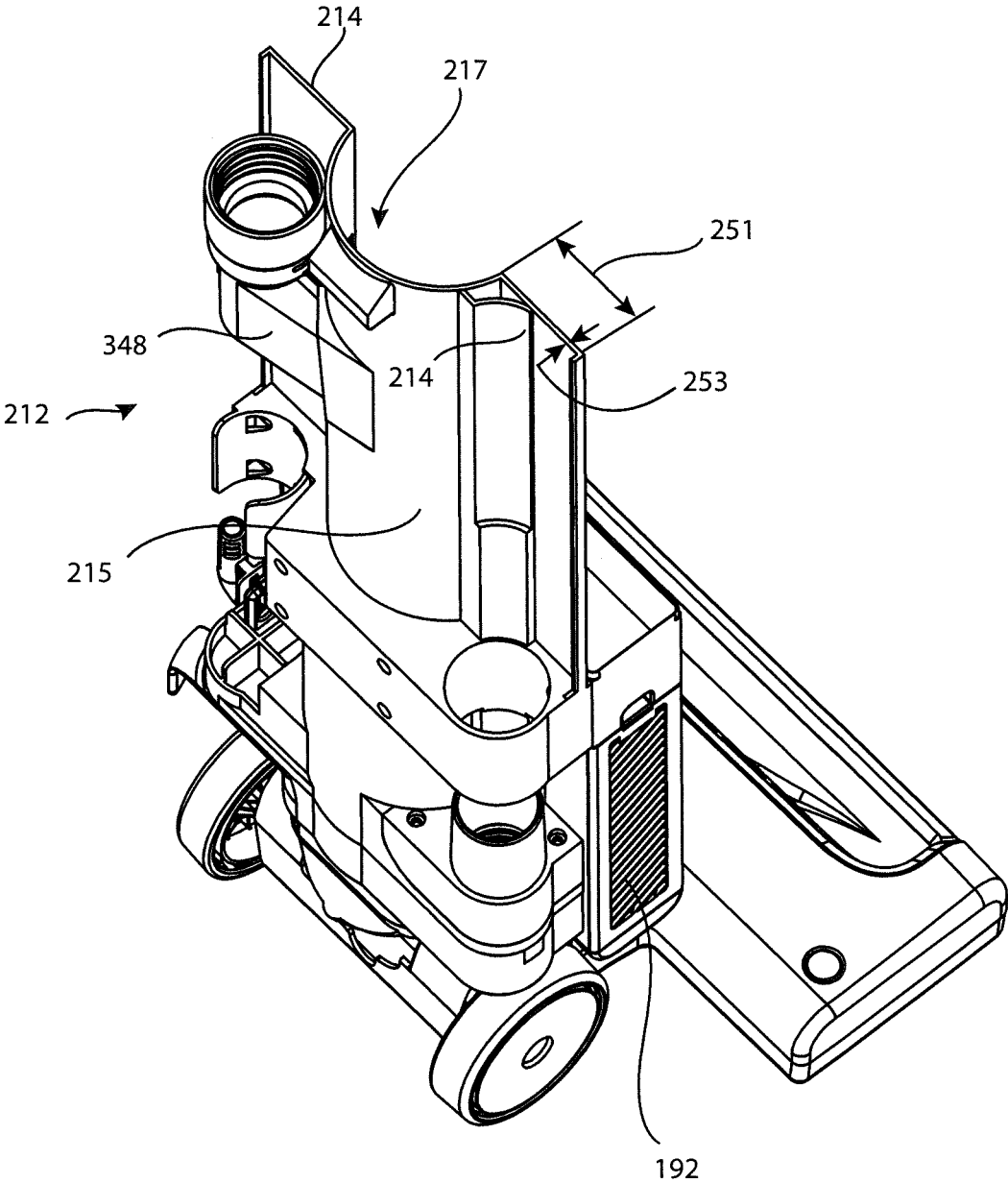


FIG. 2C

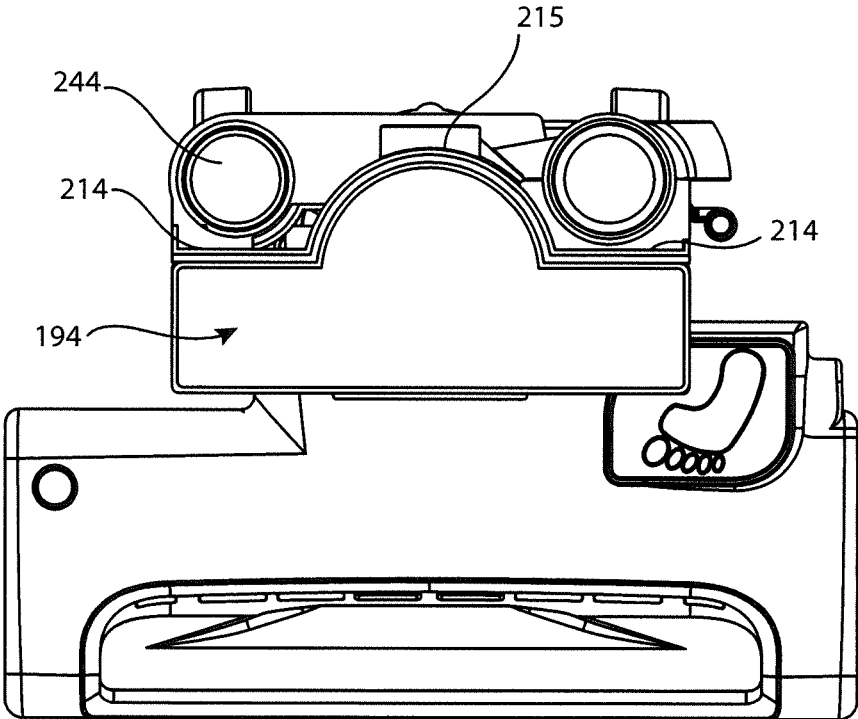


FIG. 2D

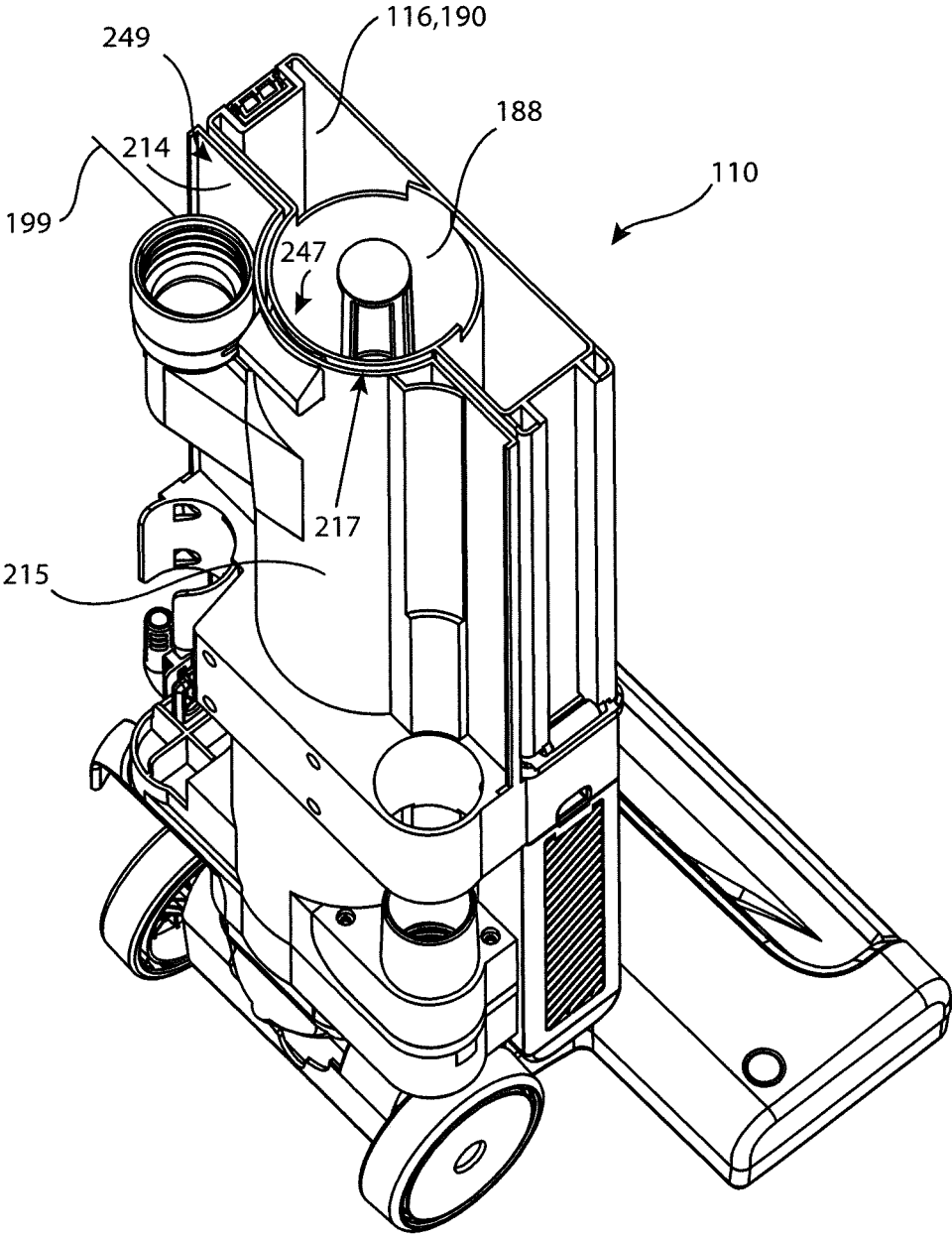


FIG. 2E

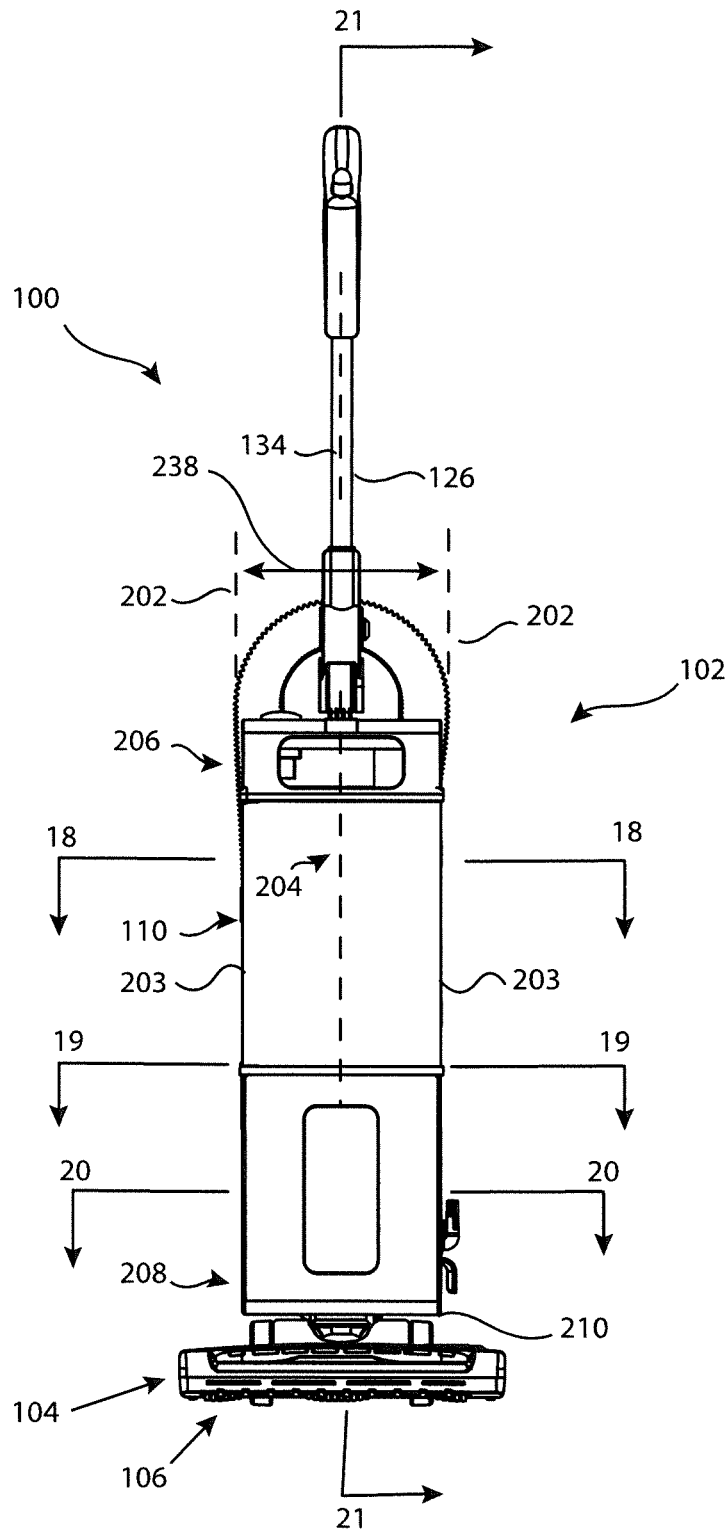


FIG. 3

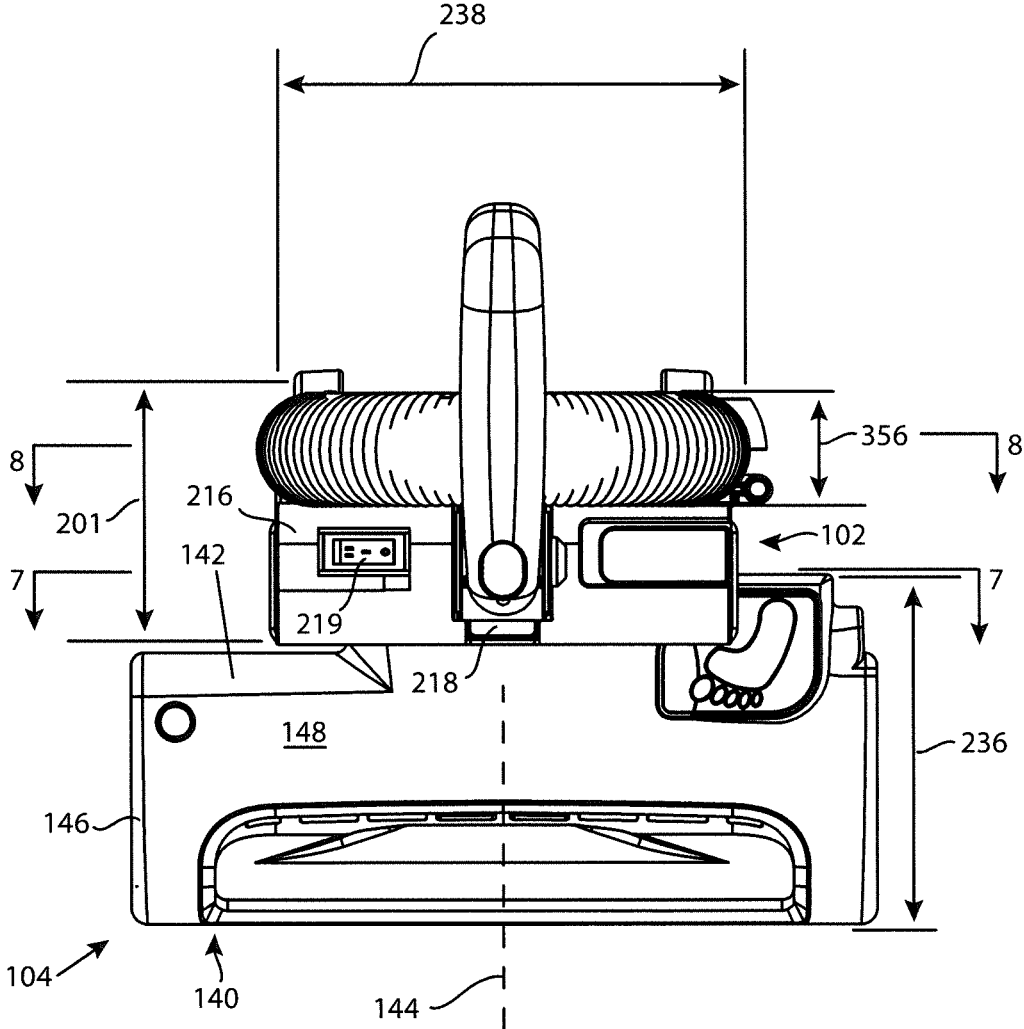


FIG. 4

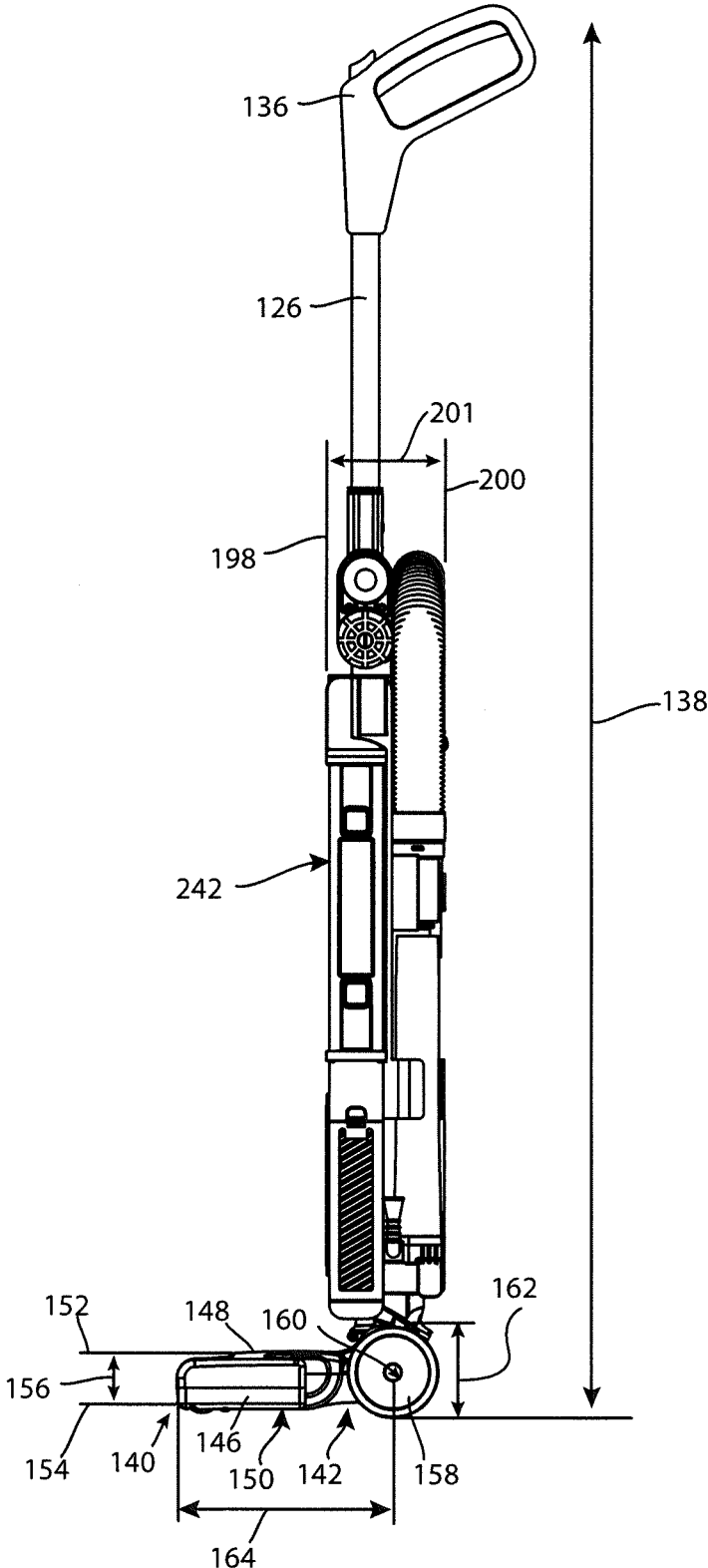


FIG. 5

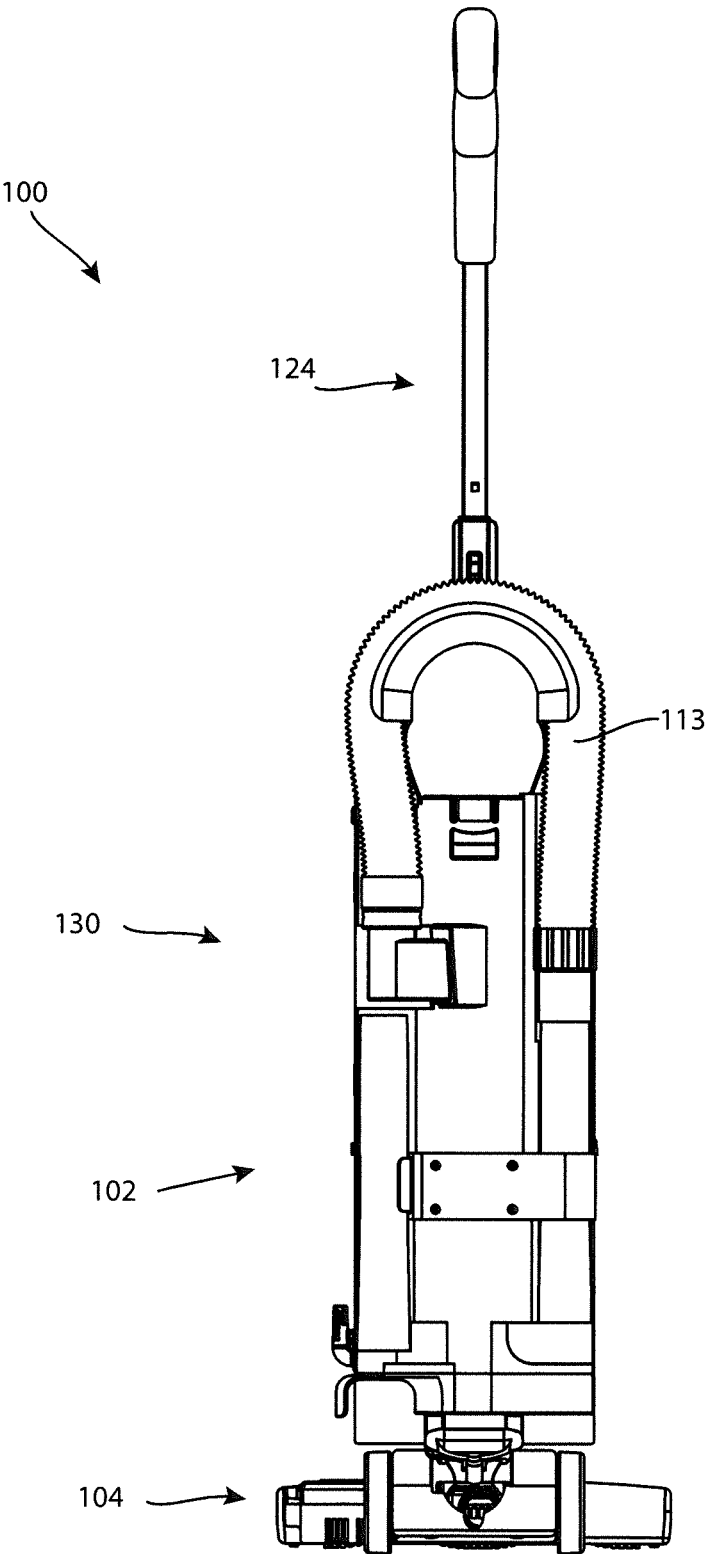


FIG. 6



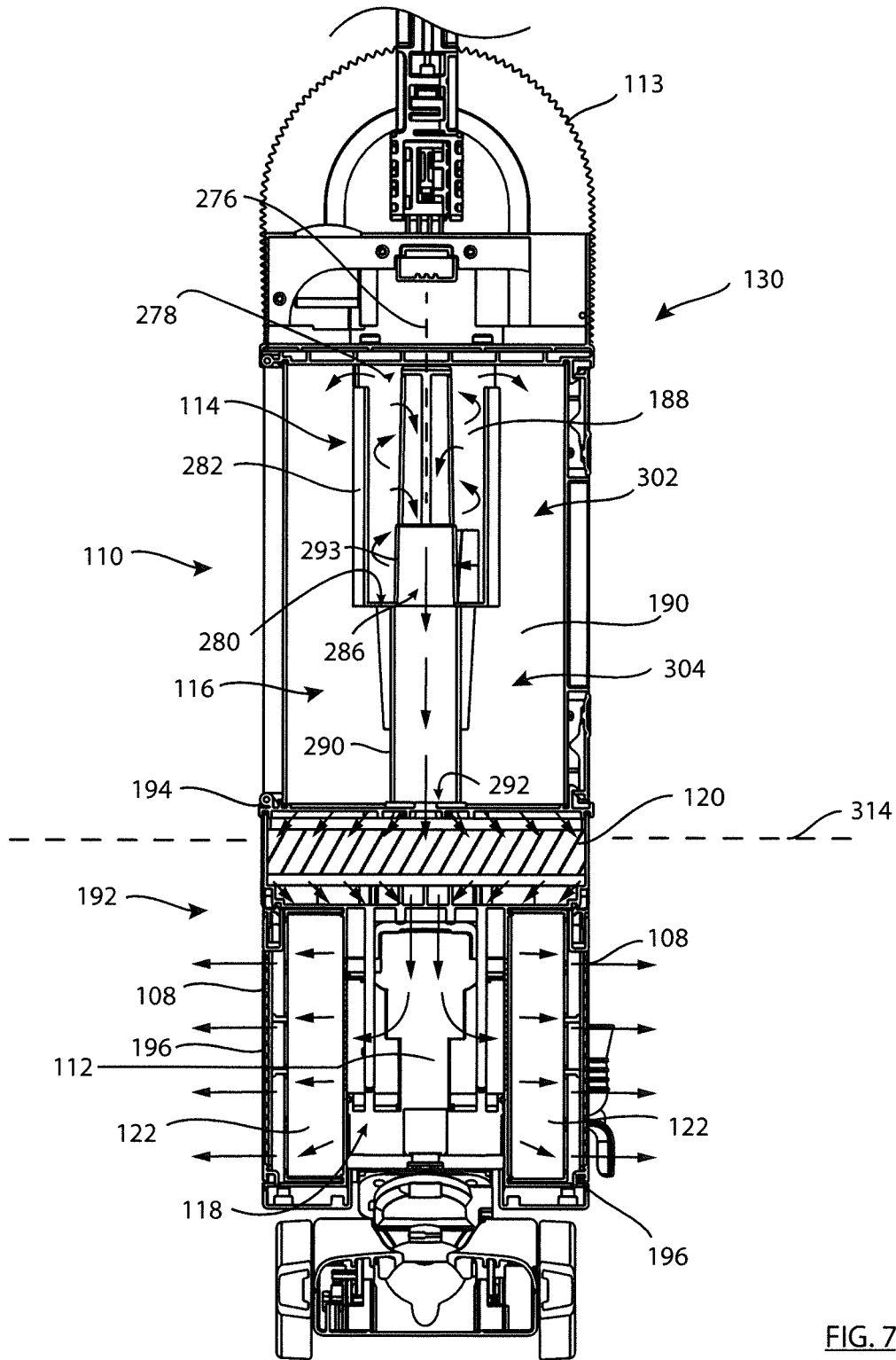


FIG. 7

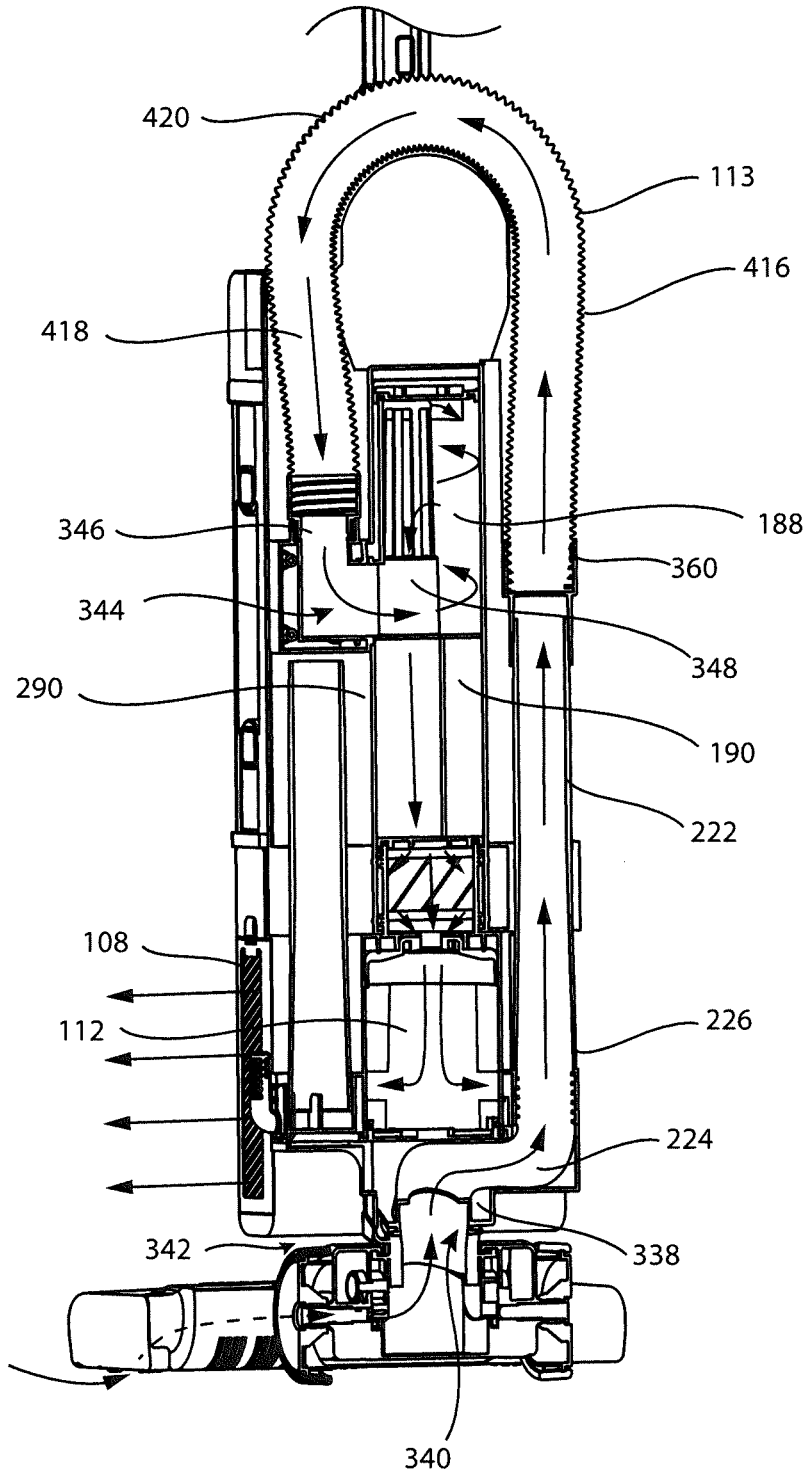


FIG. 8

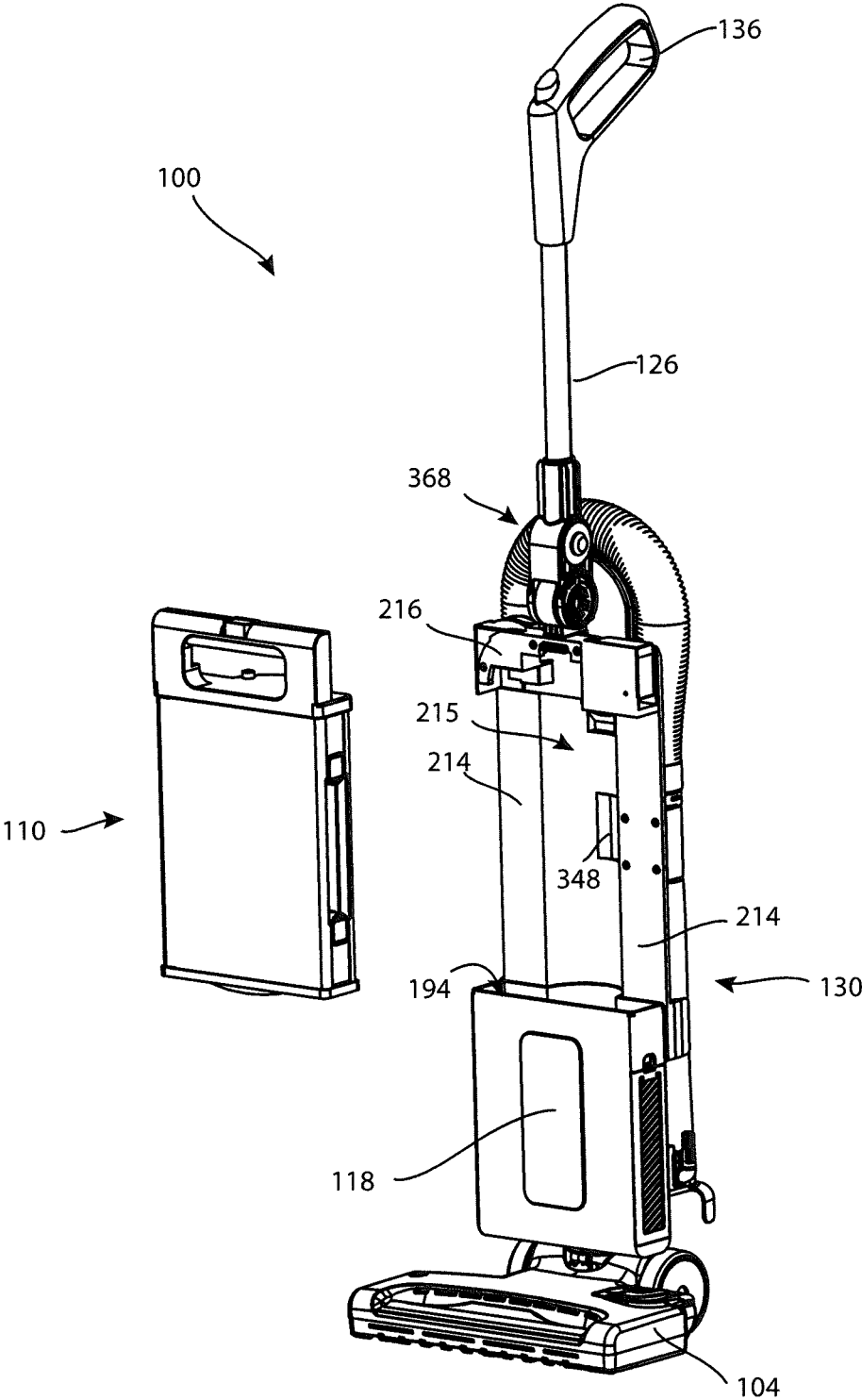


FIG. 9

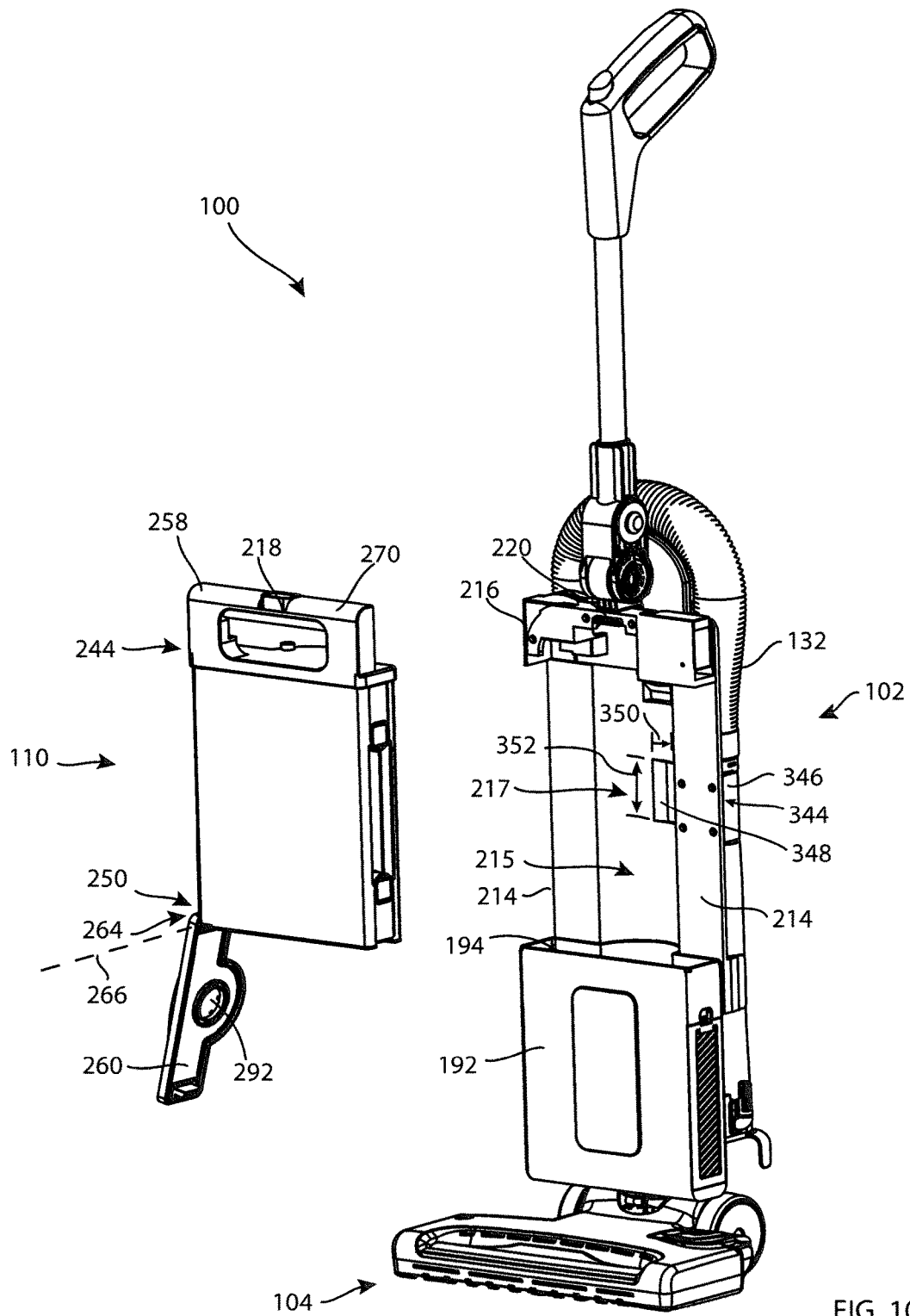


FIG. 10

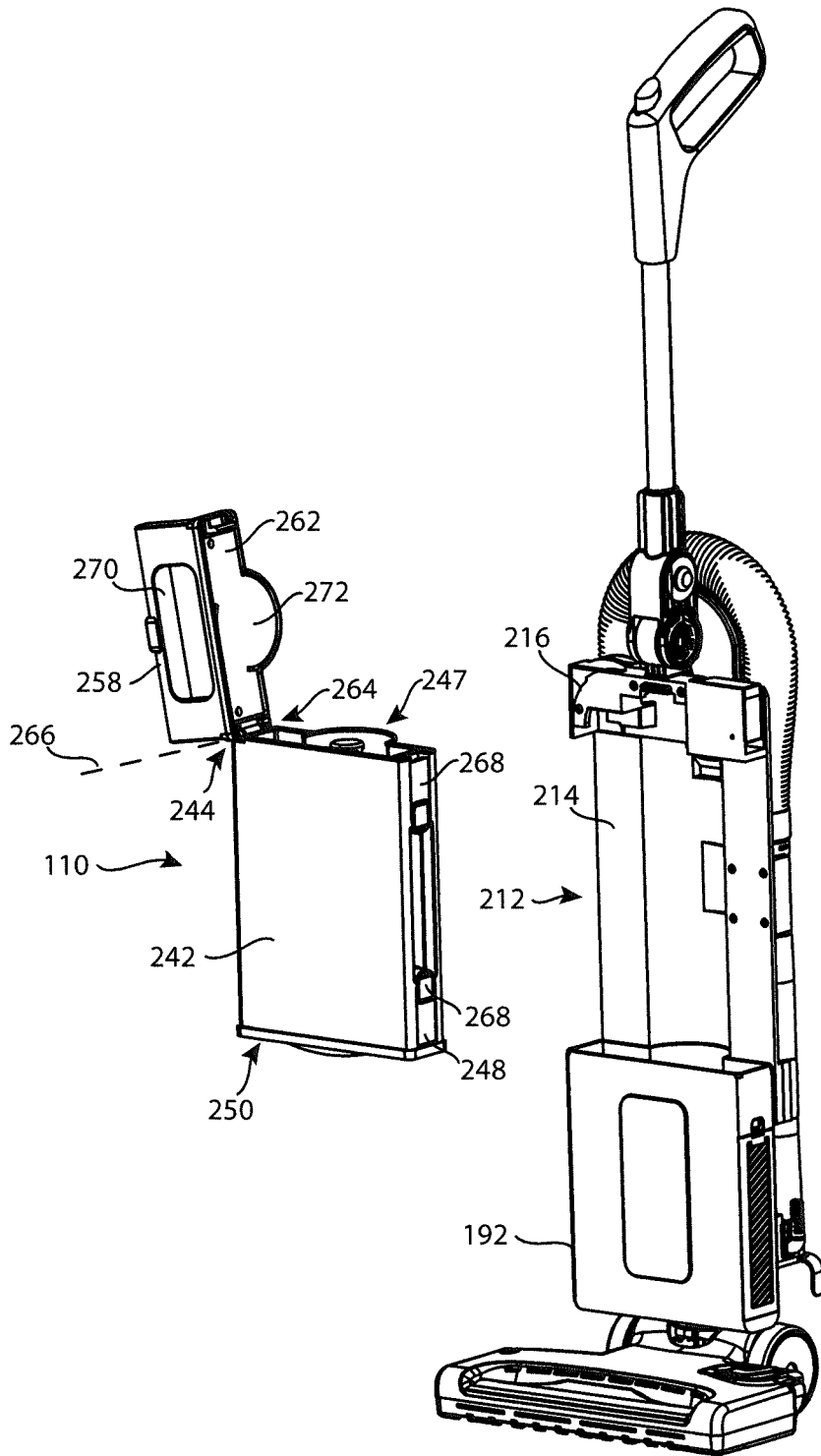


FIG. 11

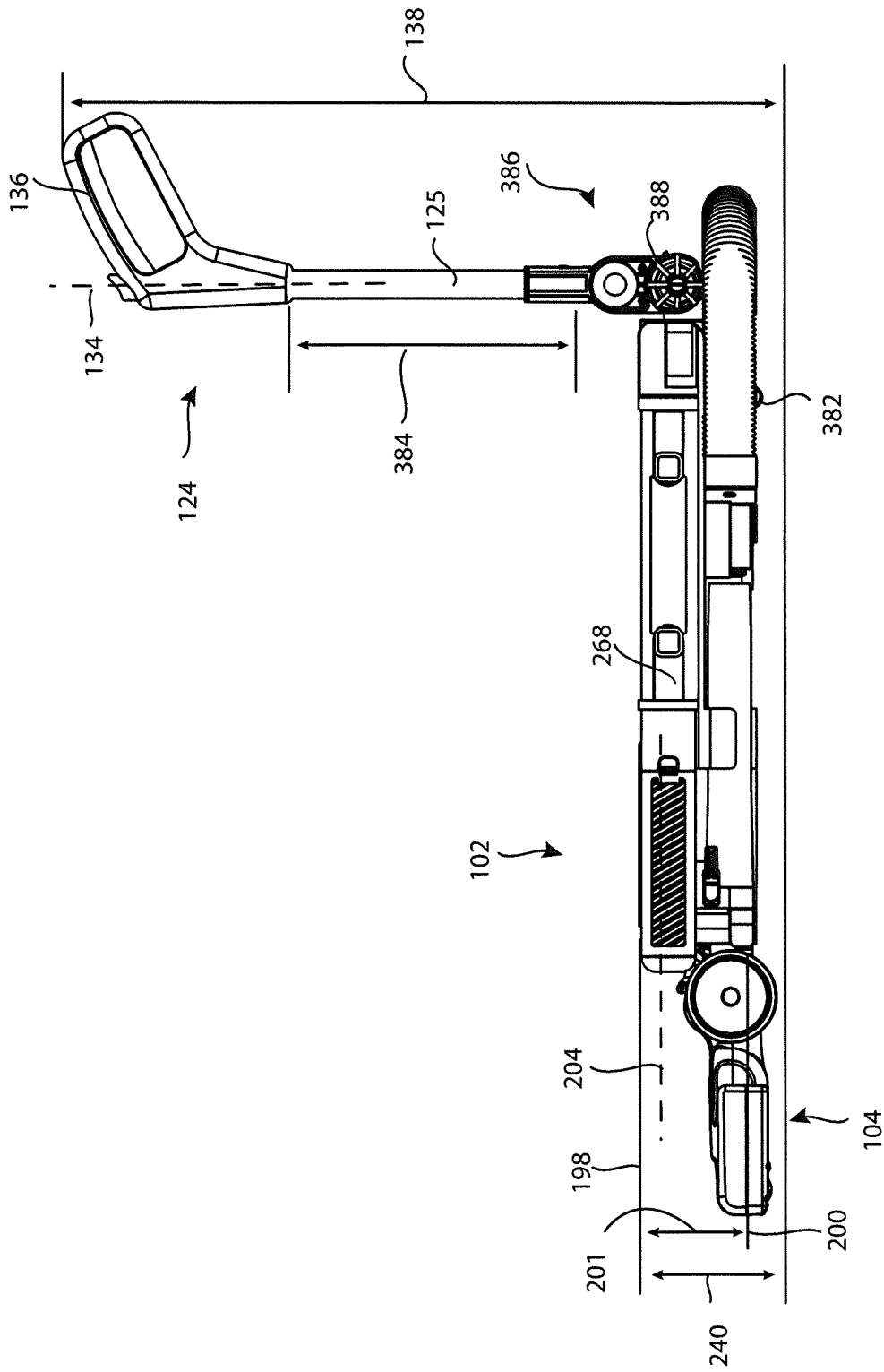


FIG. 12

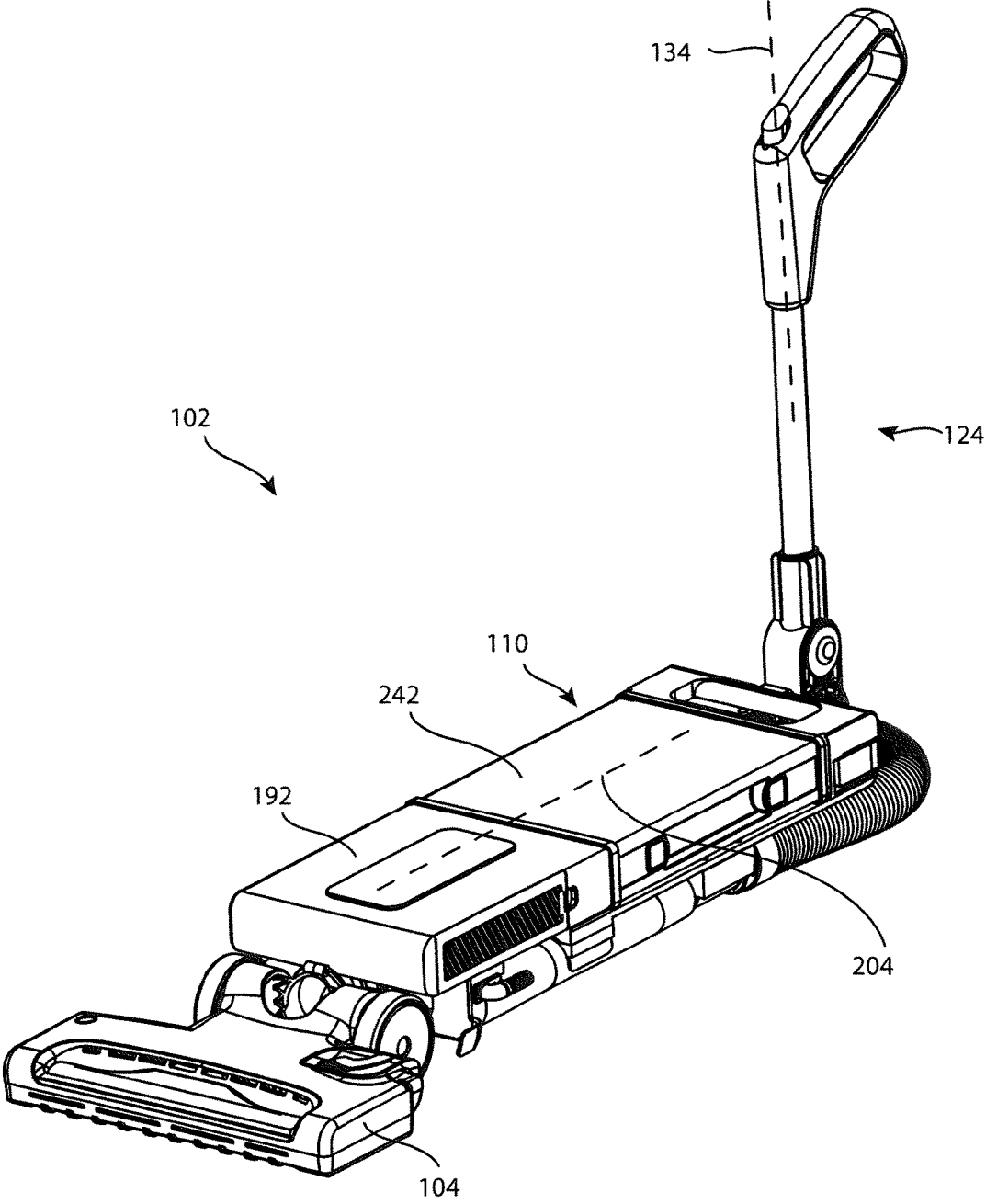


FIG. 13

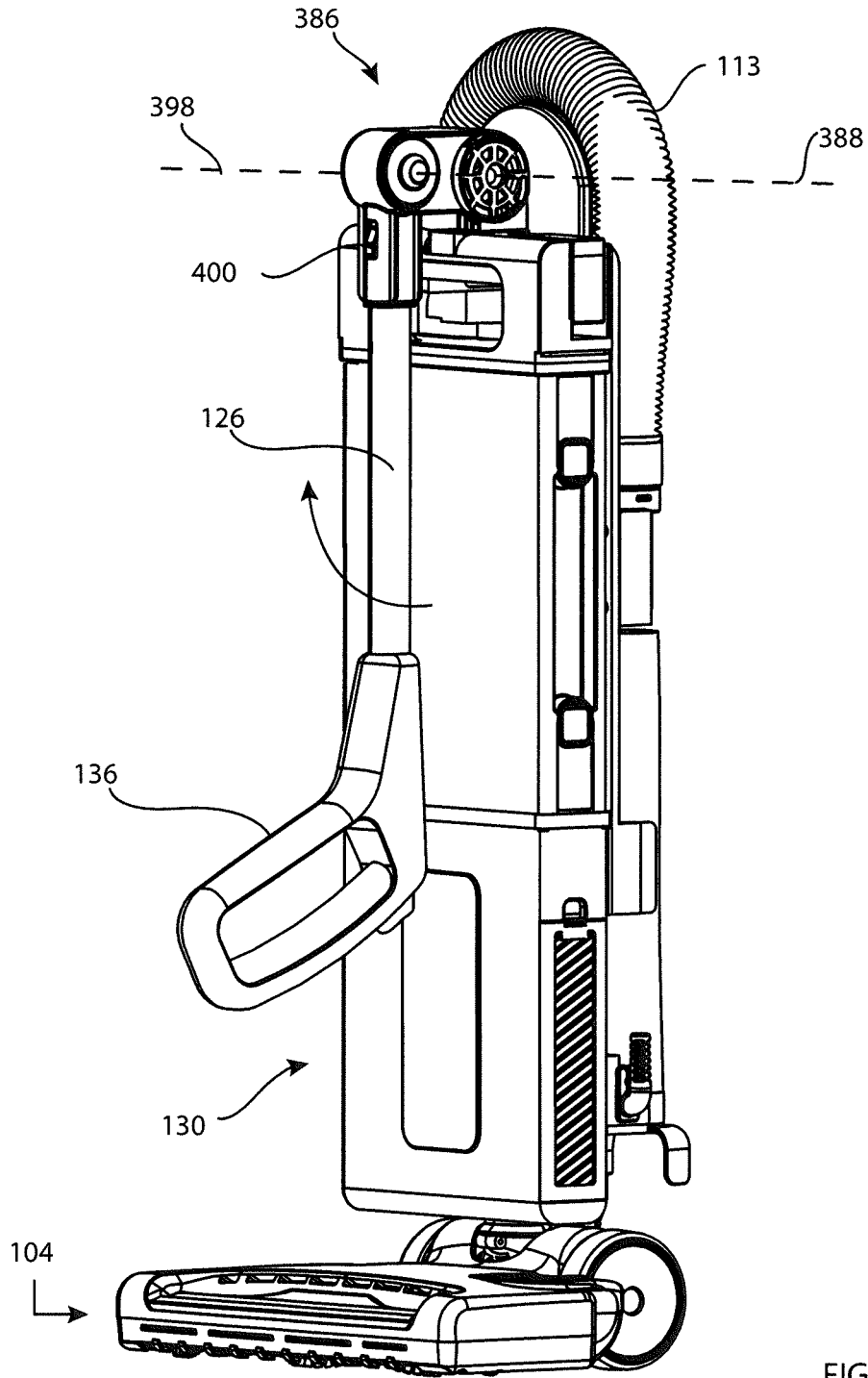


FIG. 14



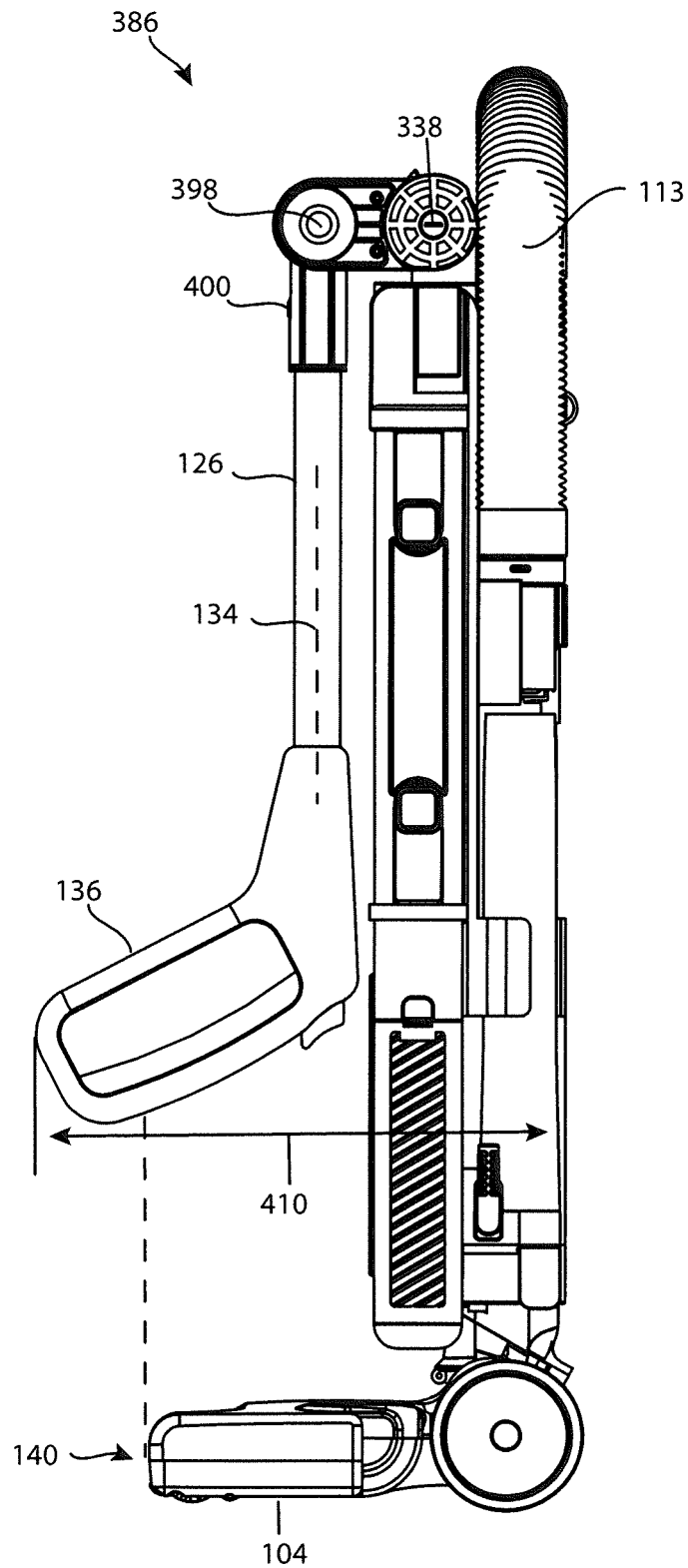


FIG. 15

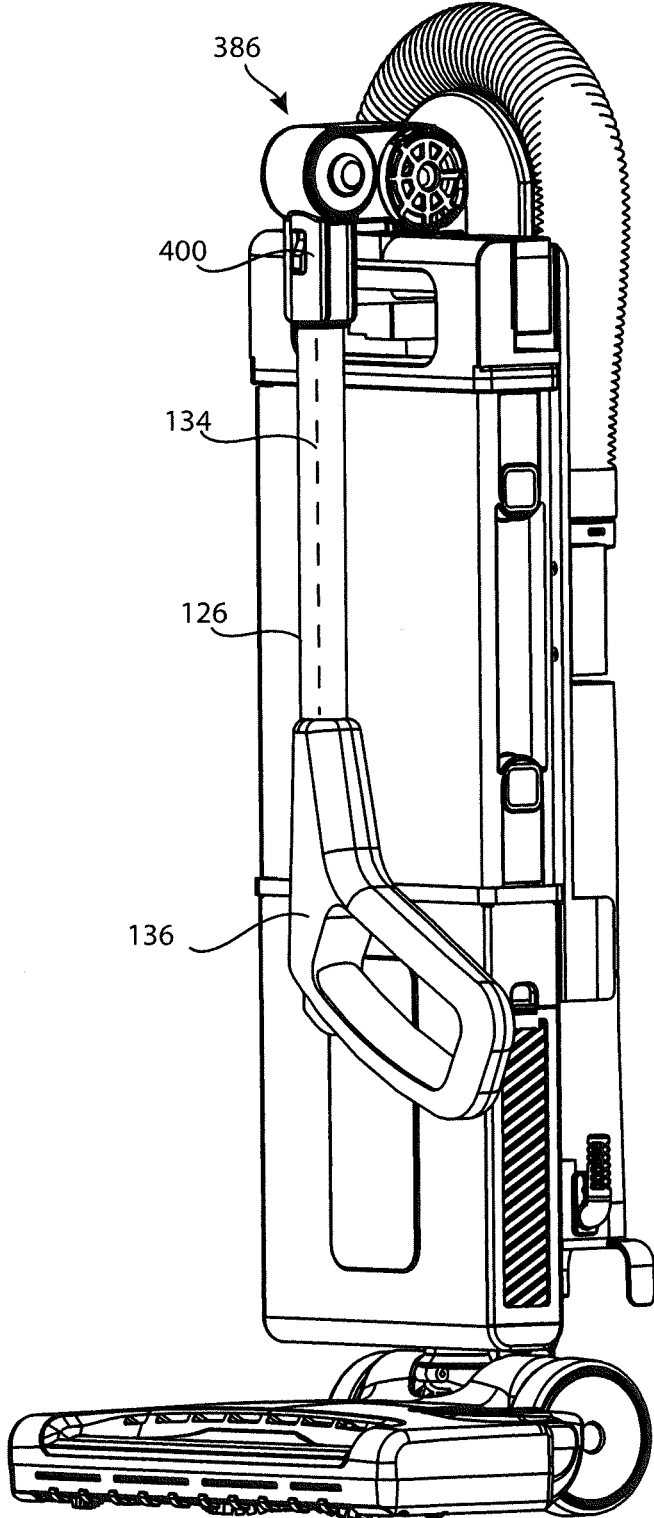


FIG. 16

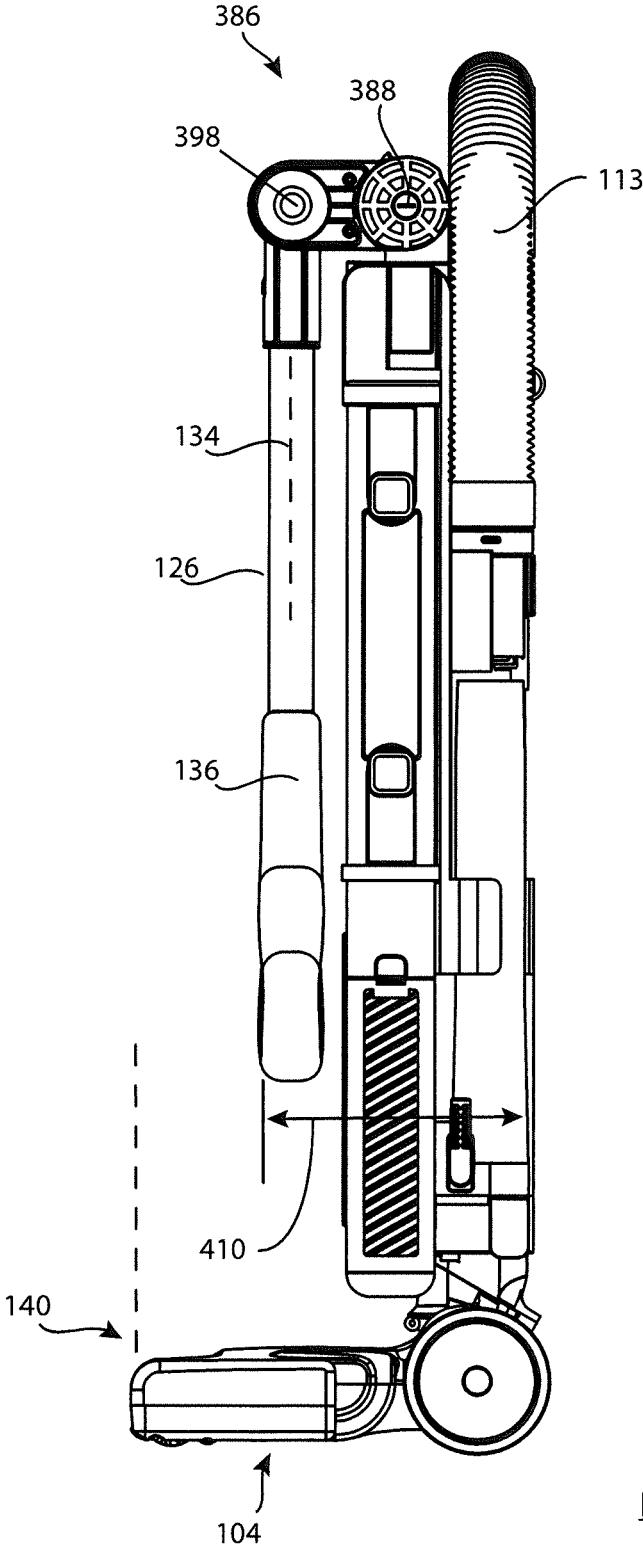


FIG. 17

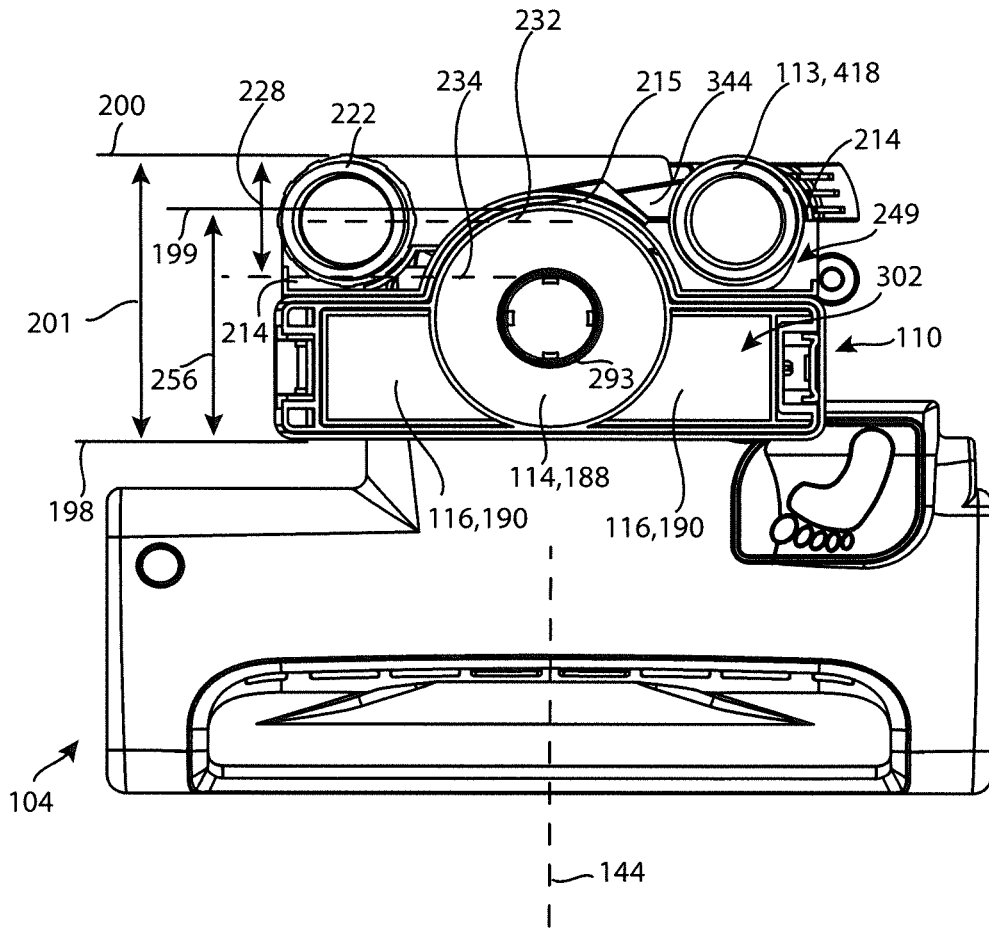


FIG. 18

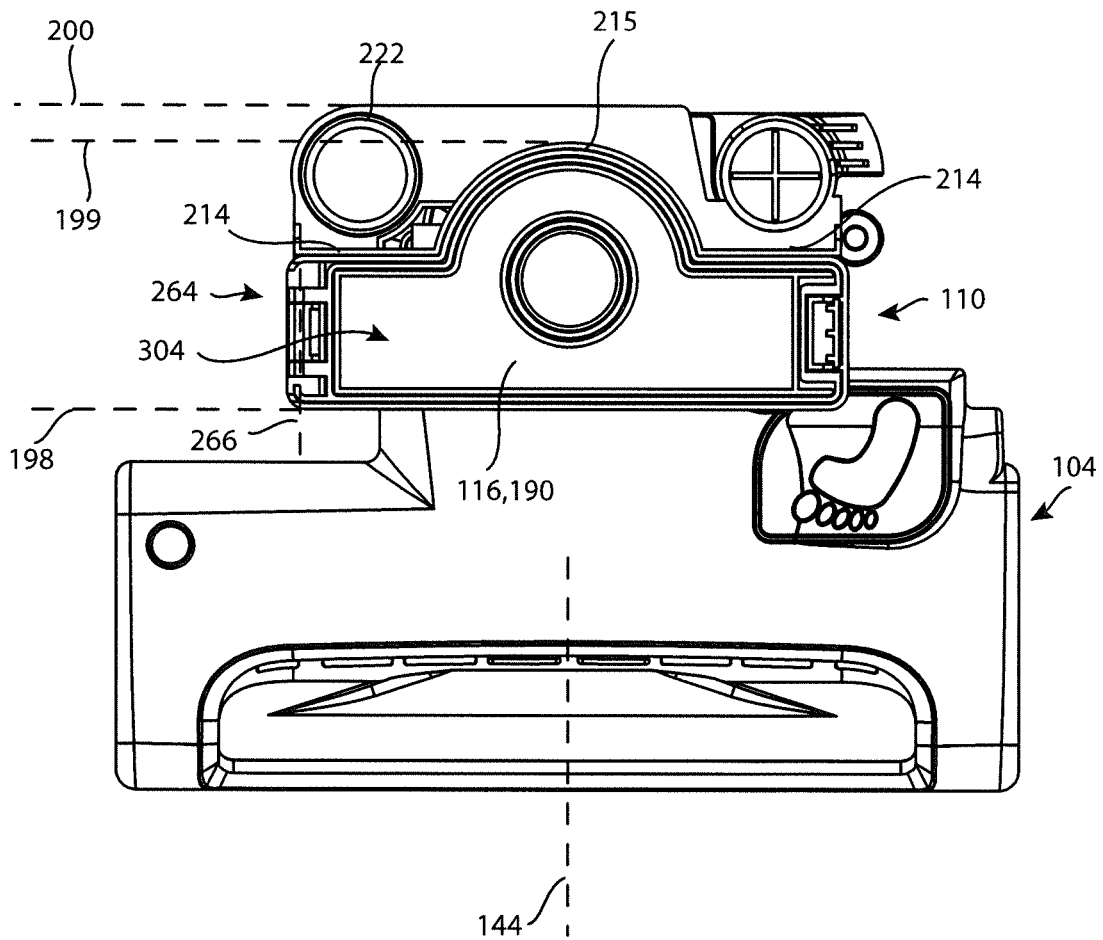


FIG. 19

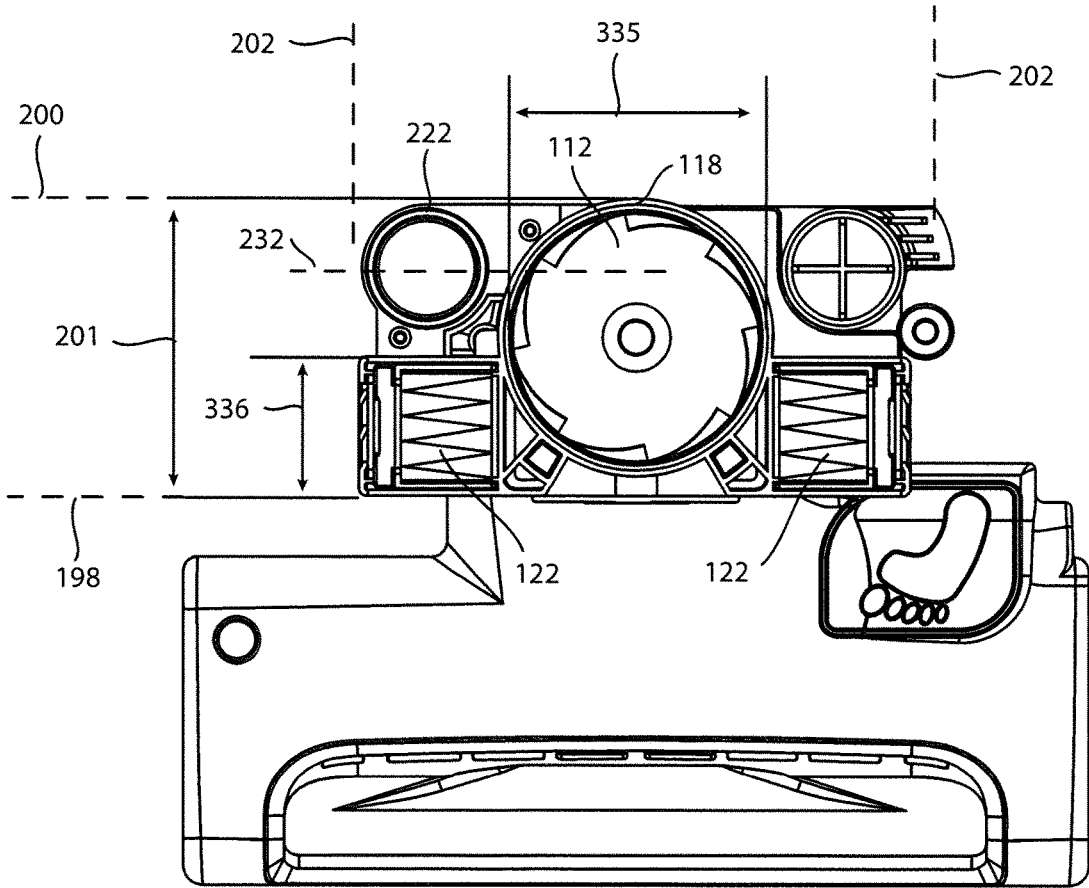


FIG. 20

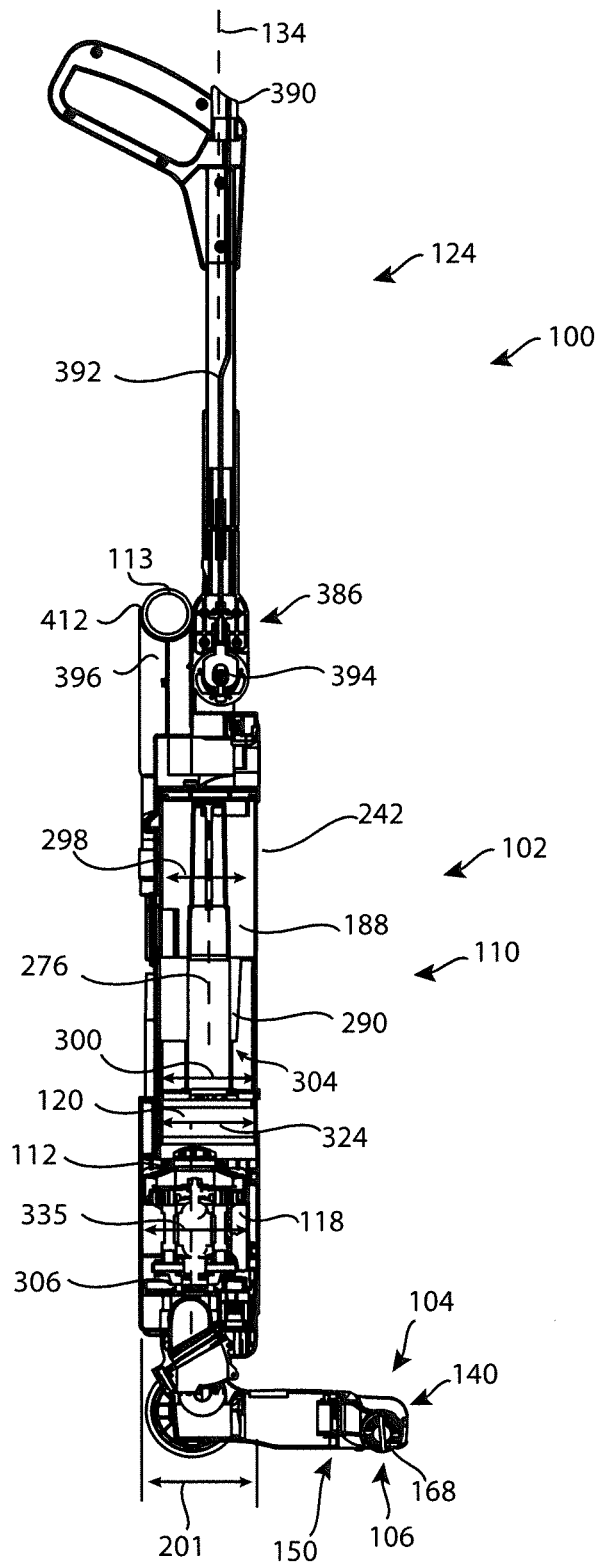


FIG. 21

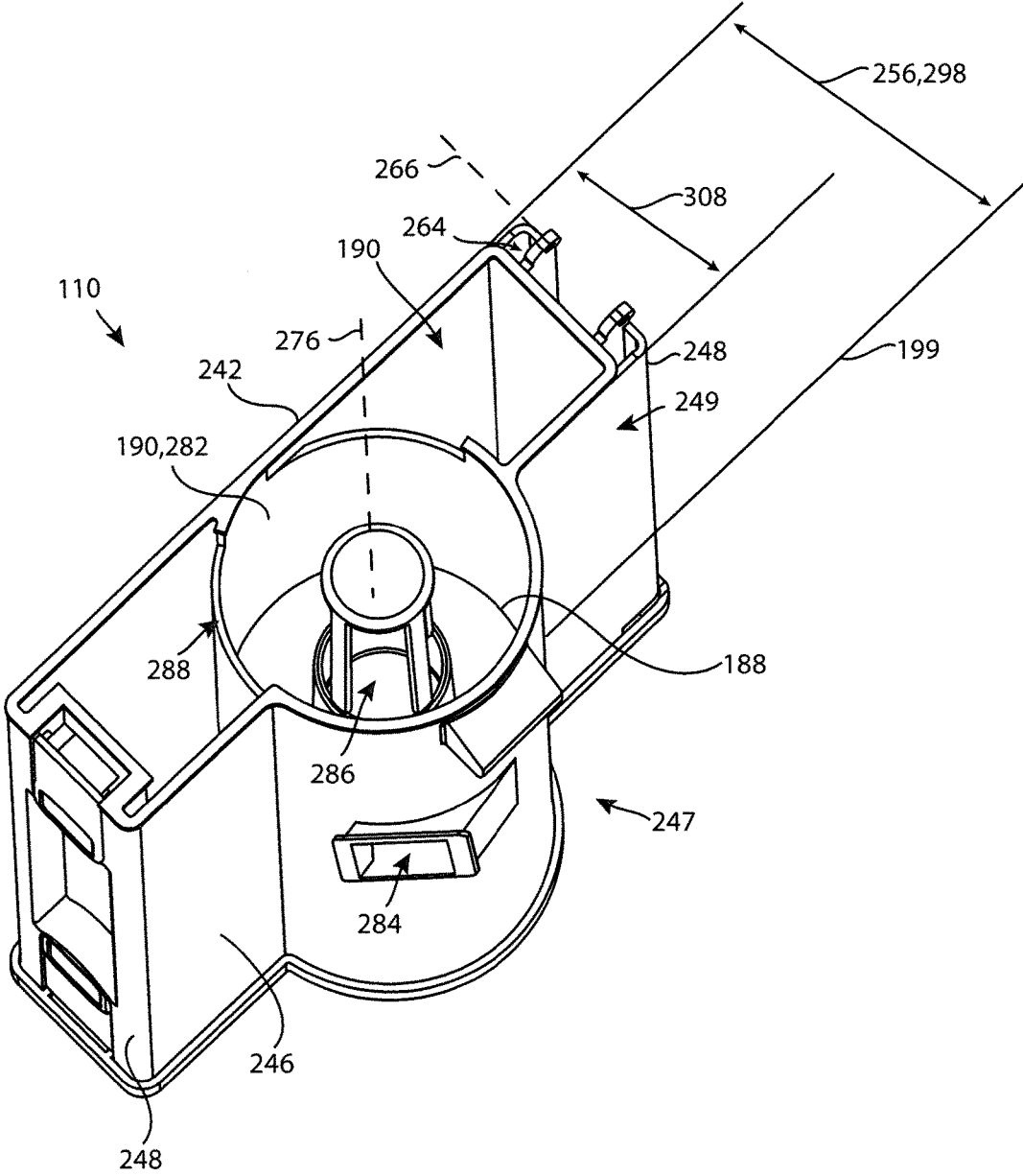


FIG. 22



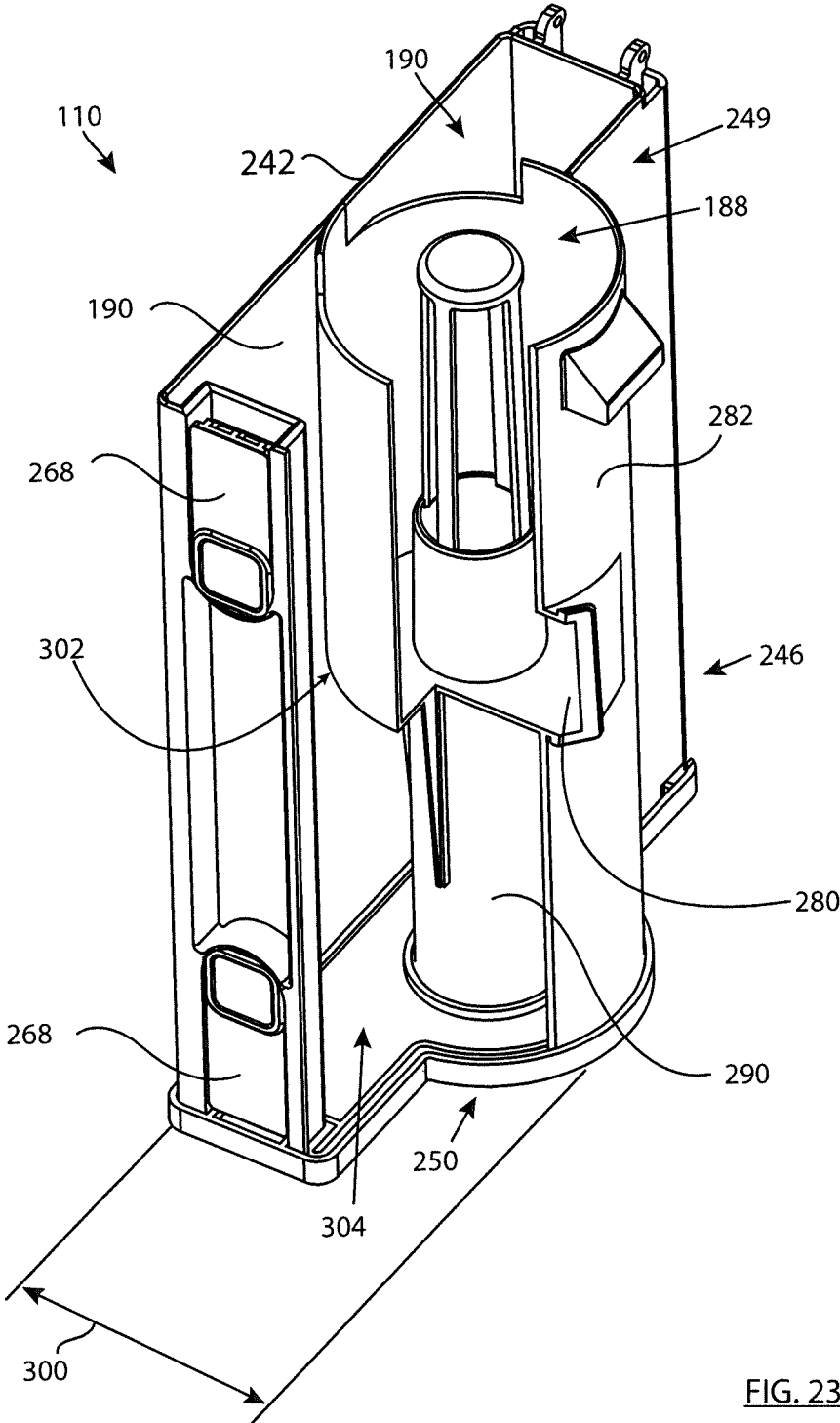


FIG. 23

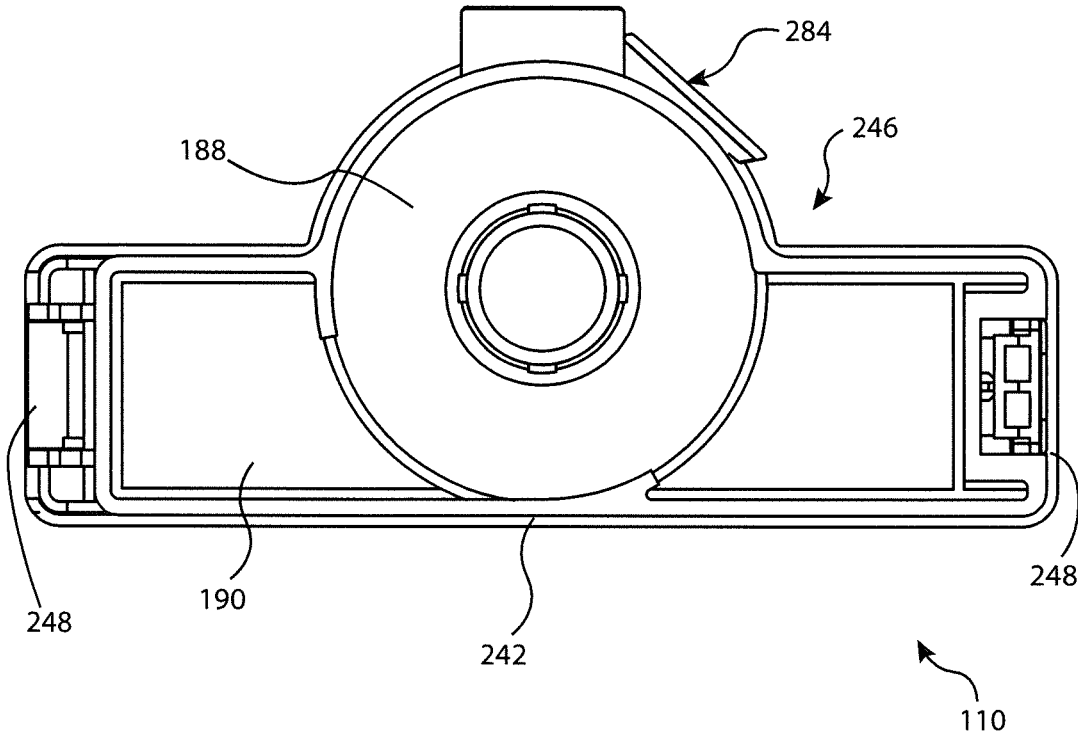


FIG. 24

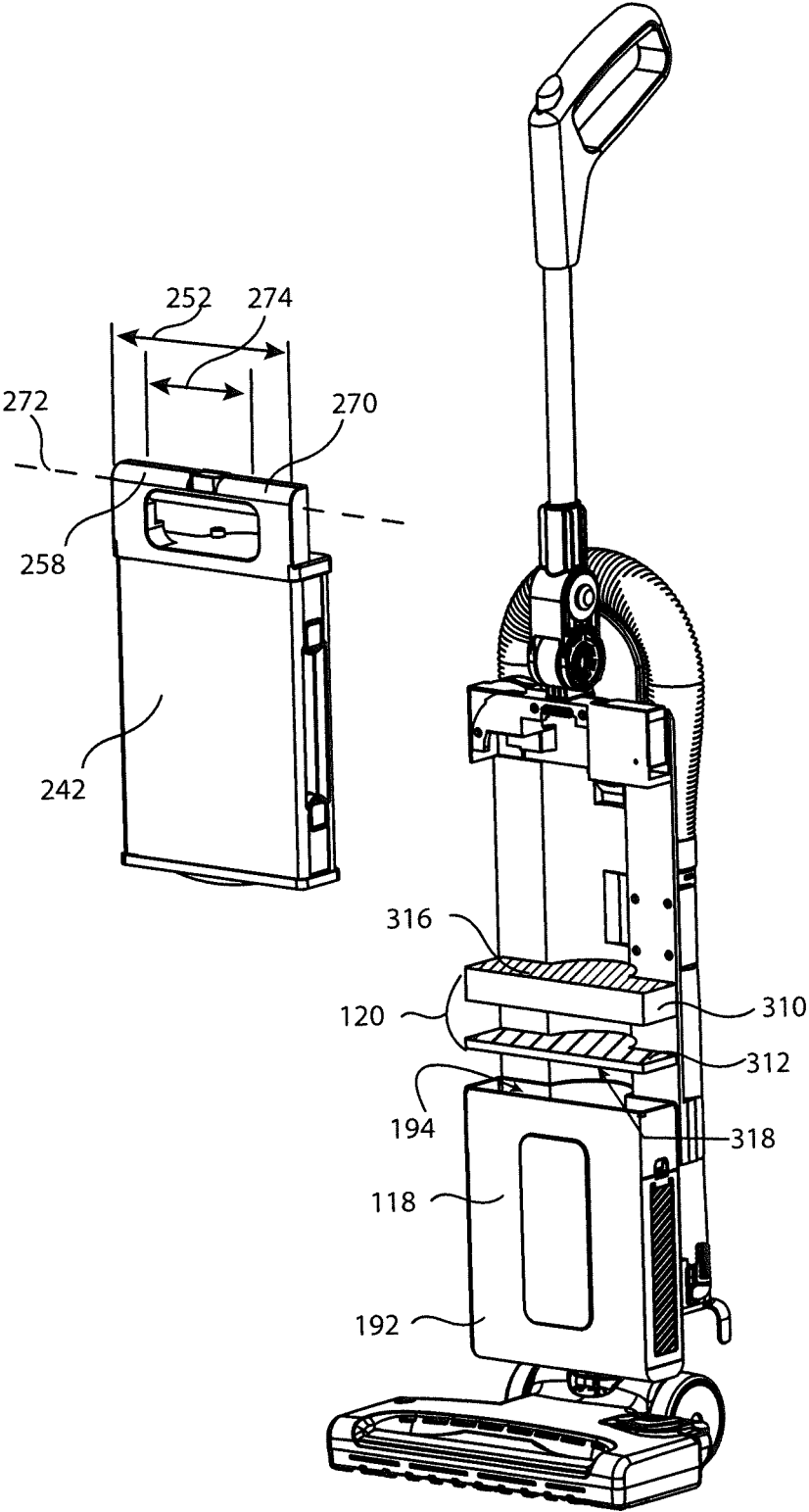


FIG. 25

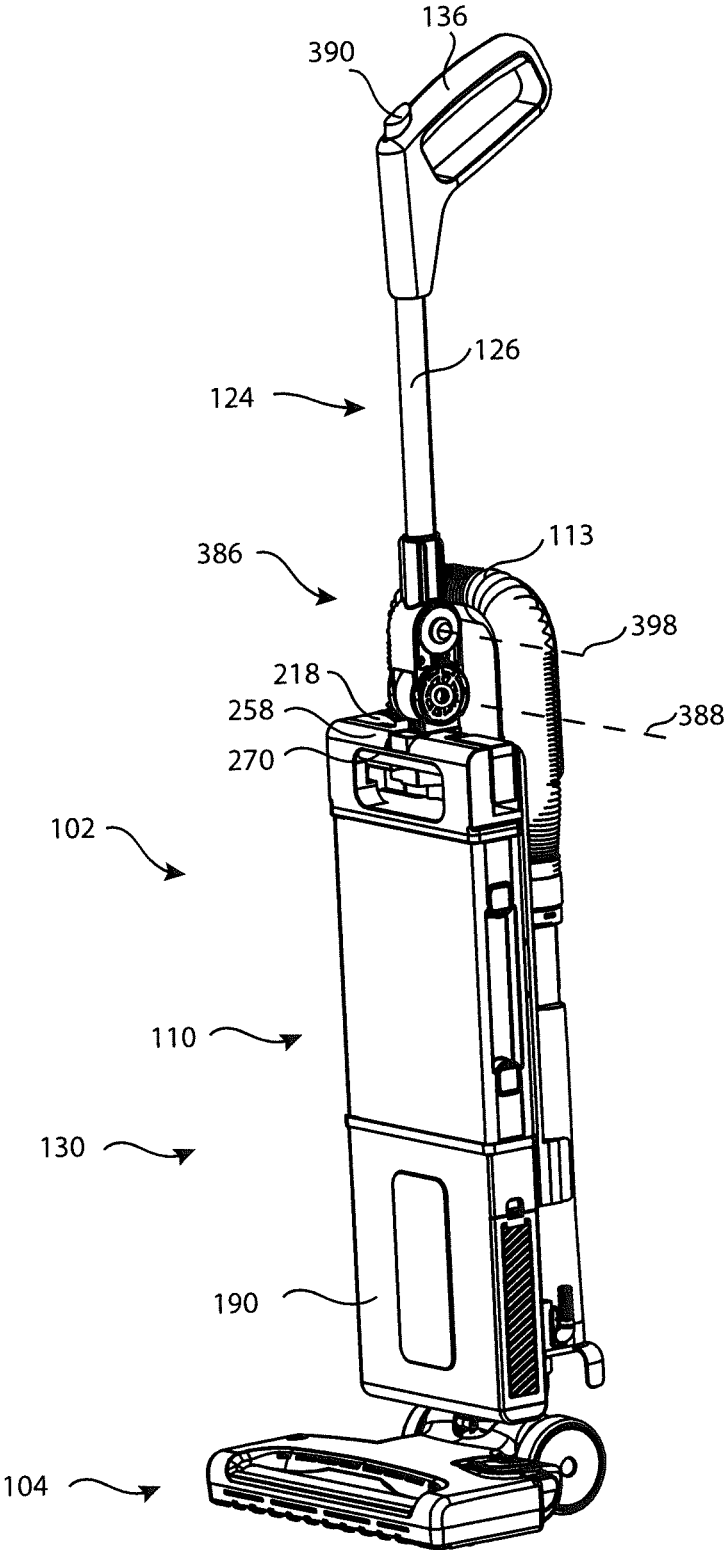


FIG. 26

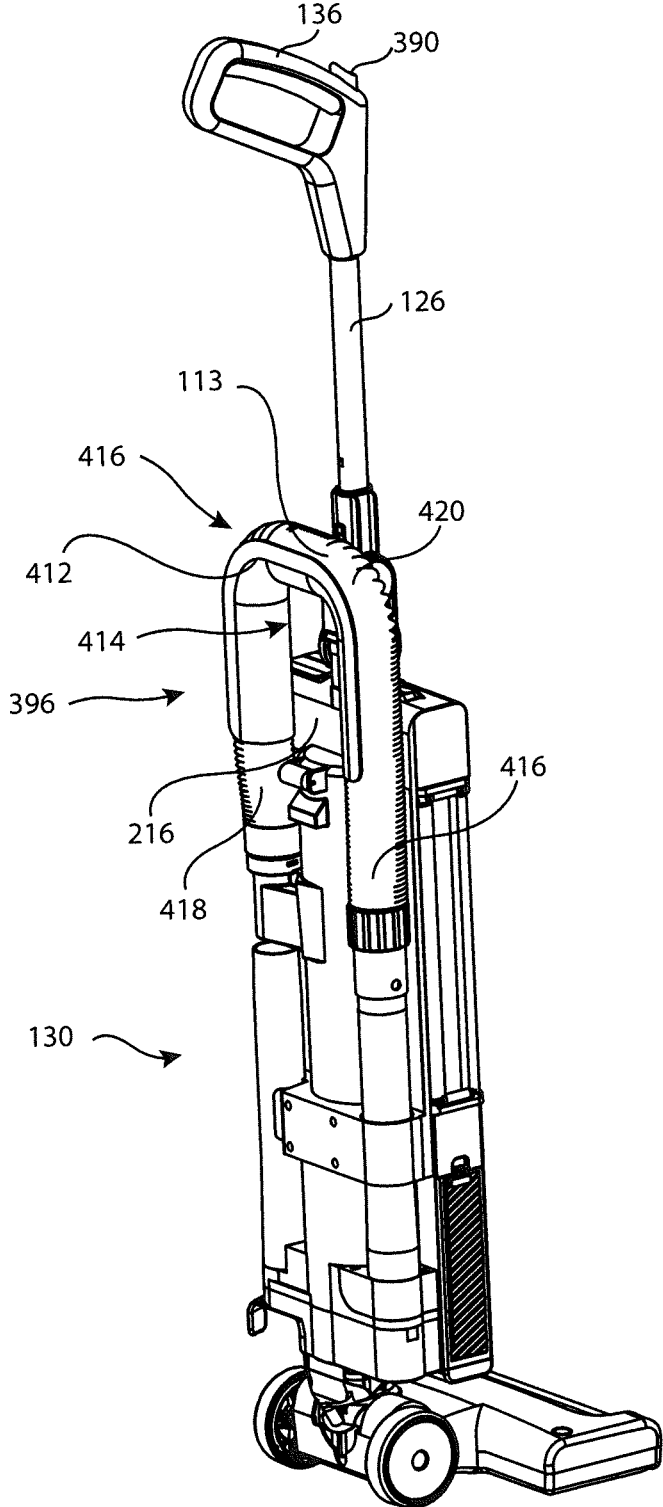


FIG. 27

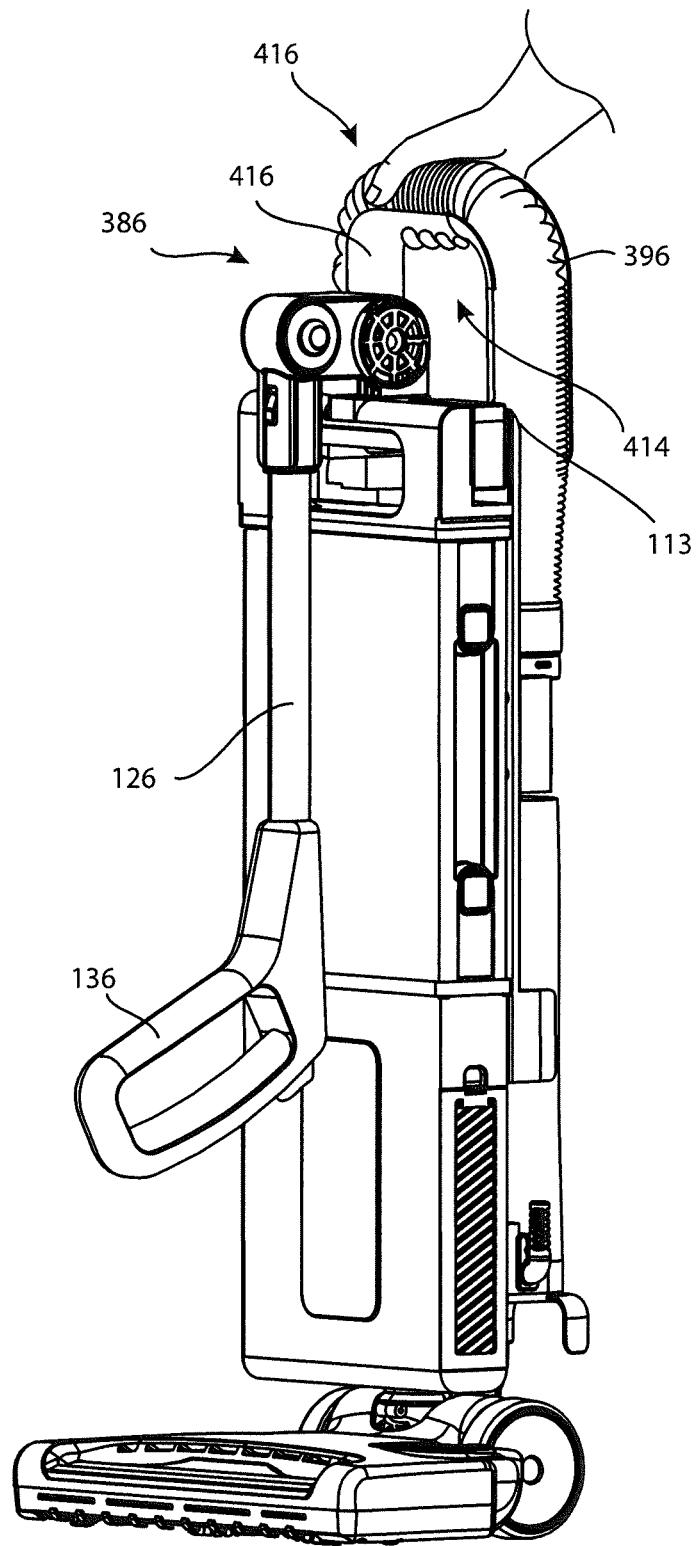


FIG. 28

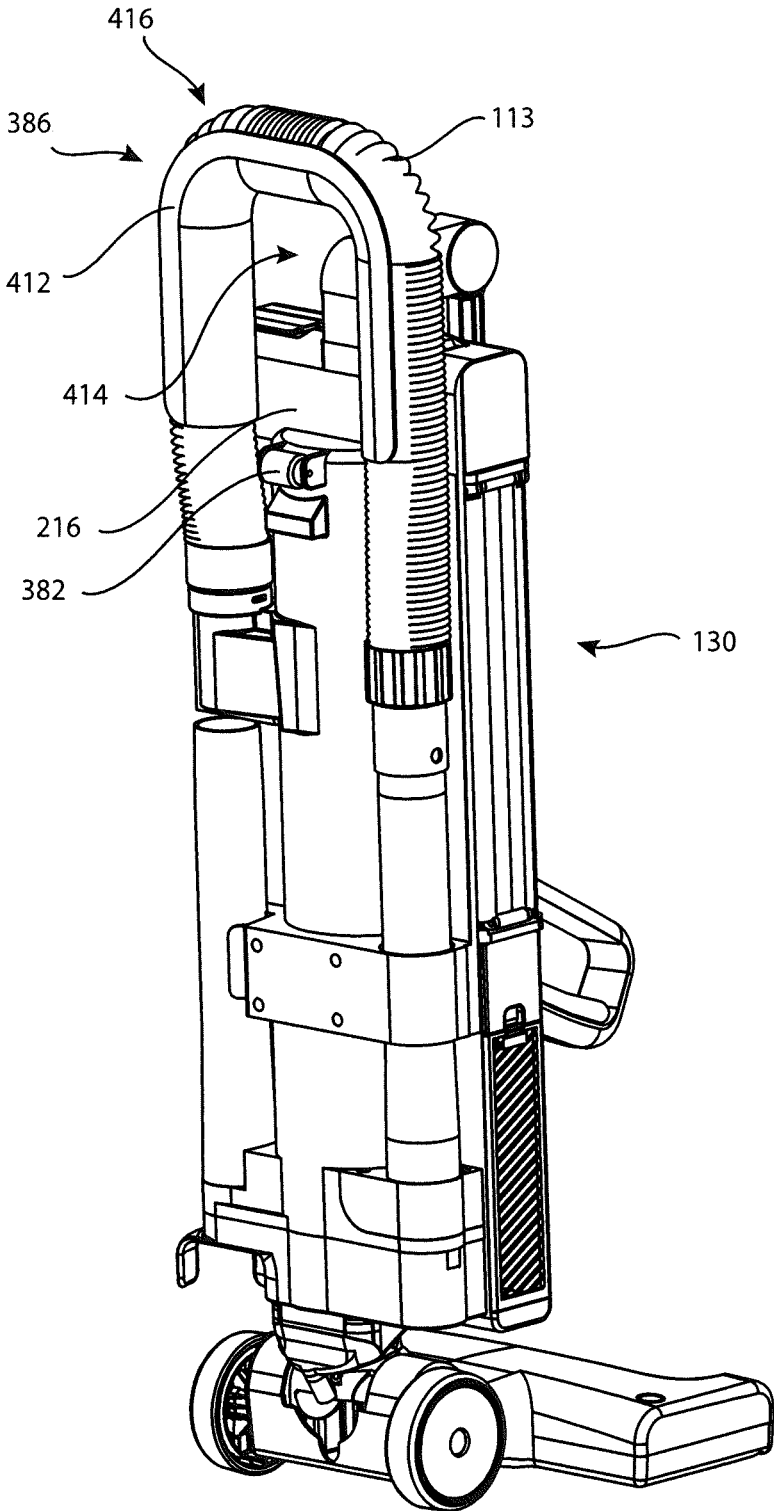


FIG. 29

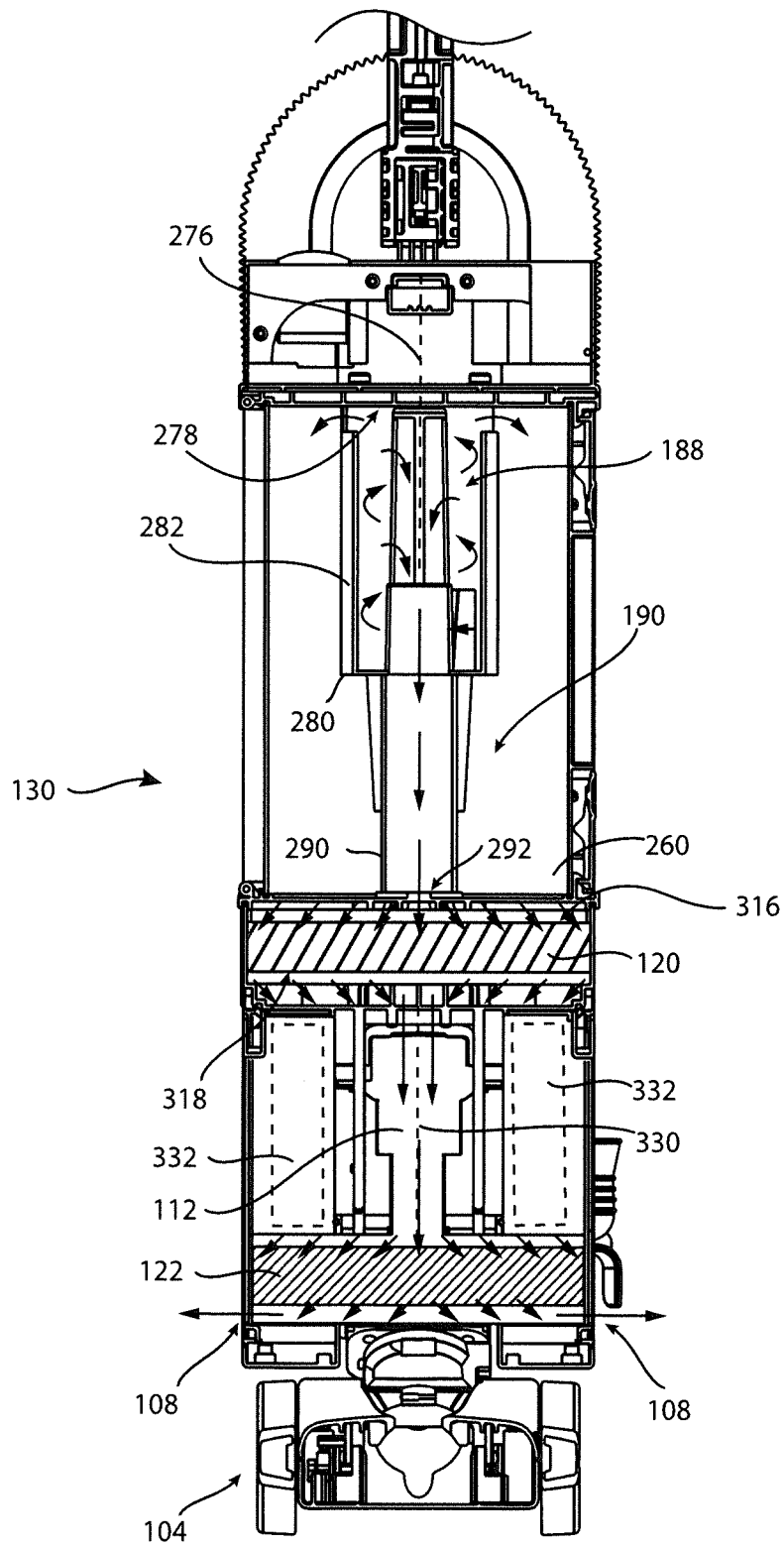


FIG. 30



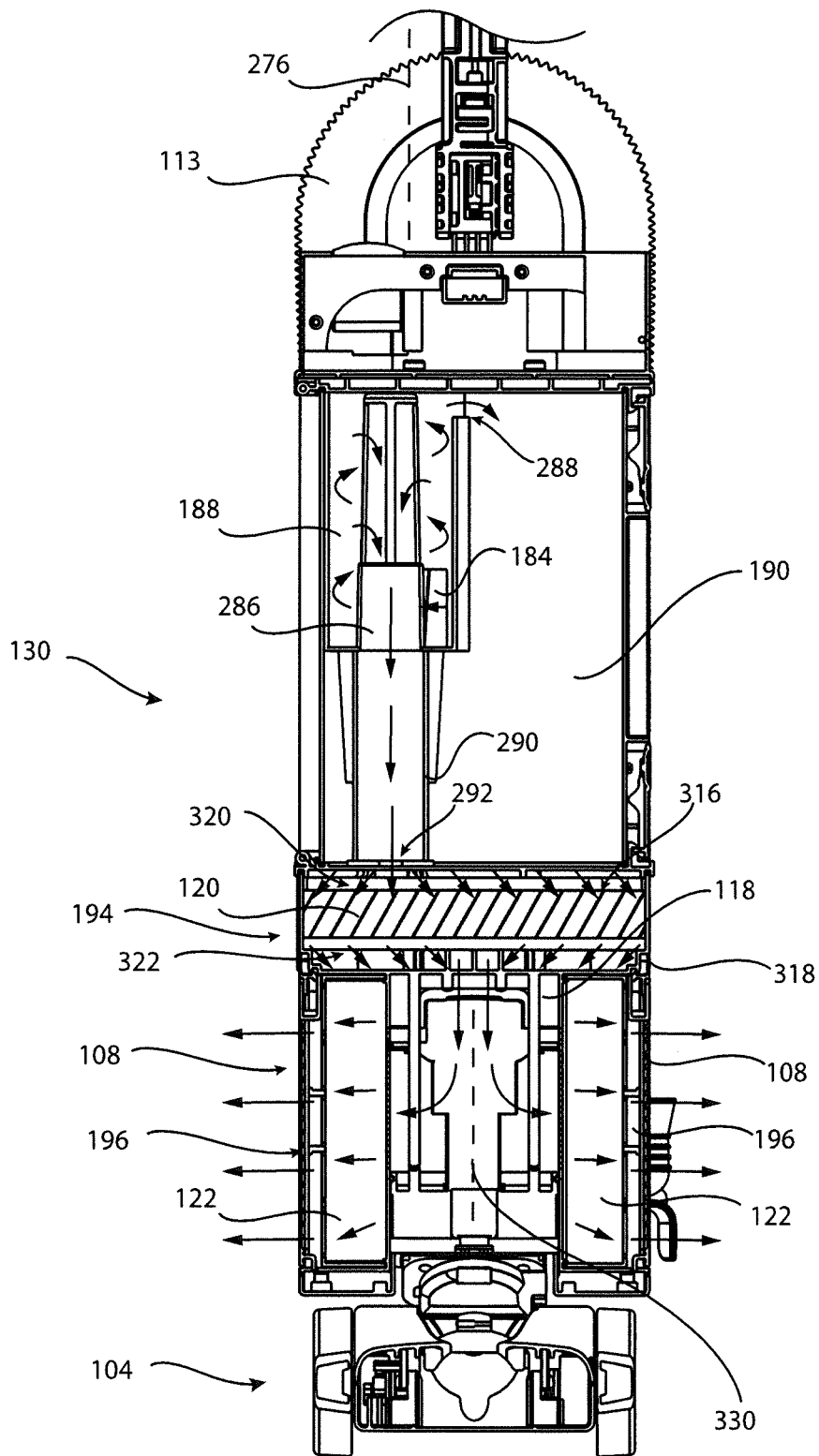


FIG. 31

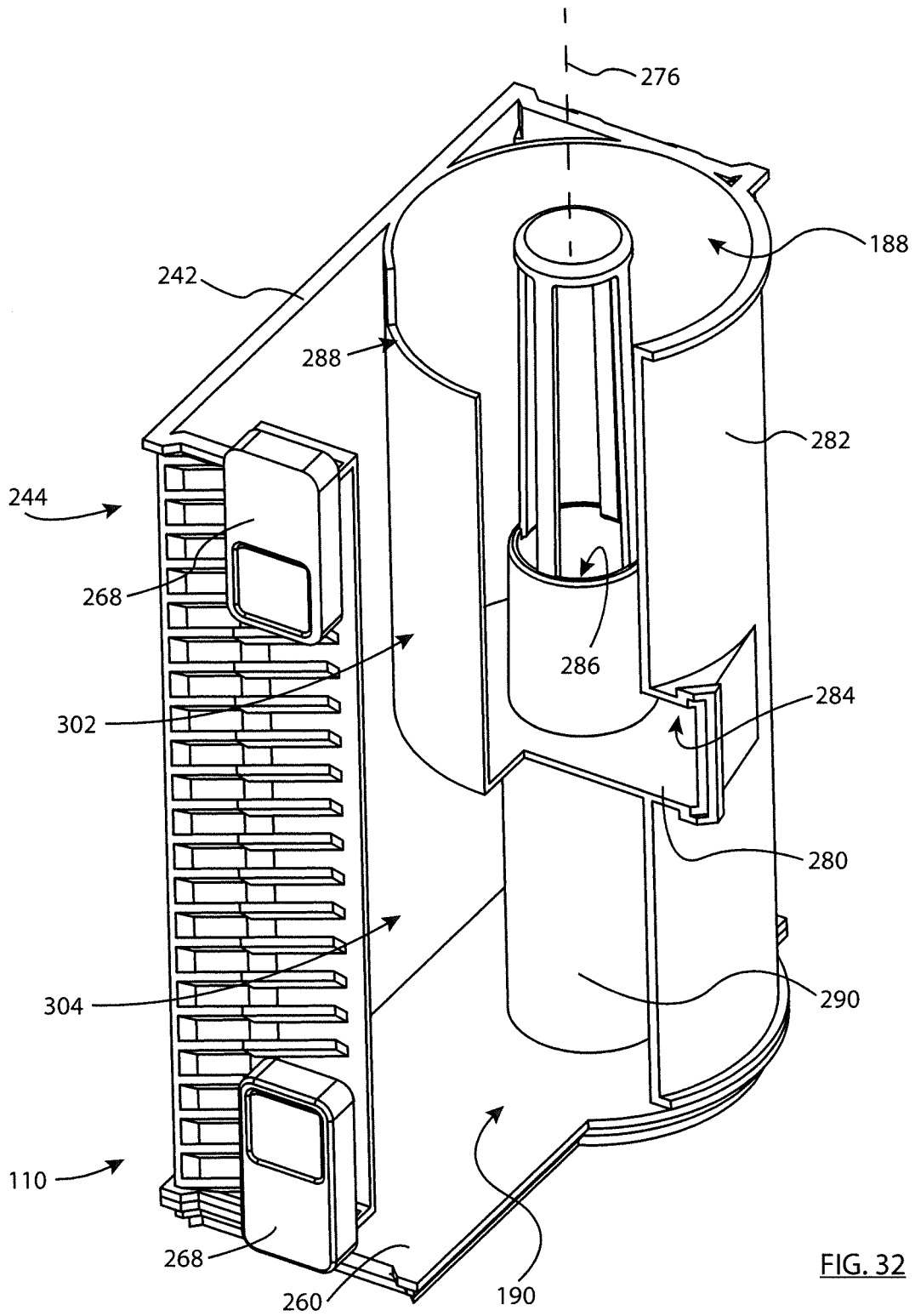


FIG. 32

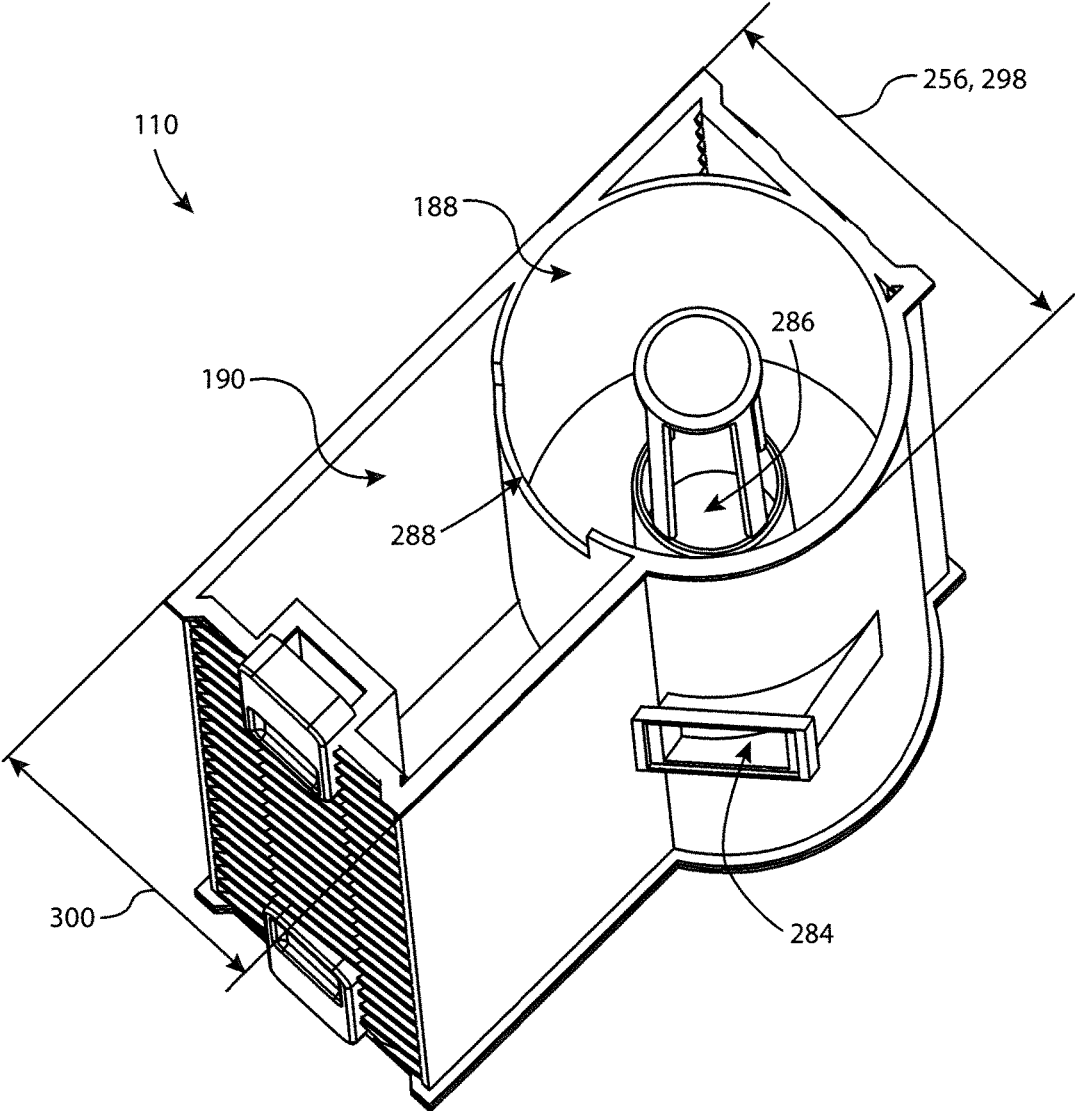


FIG. 33

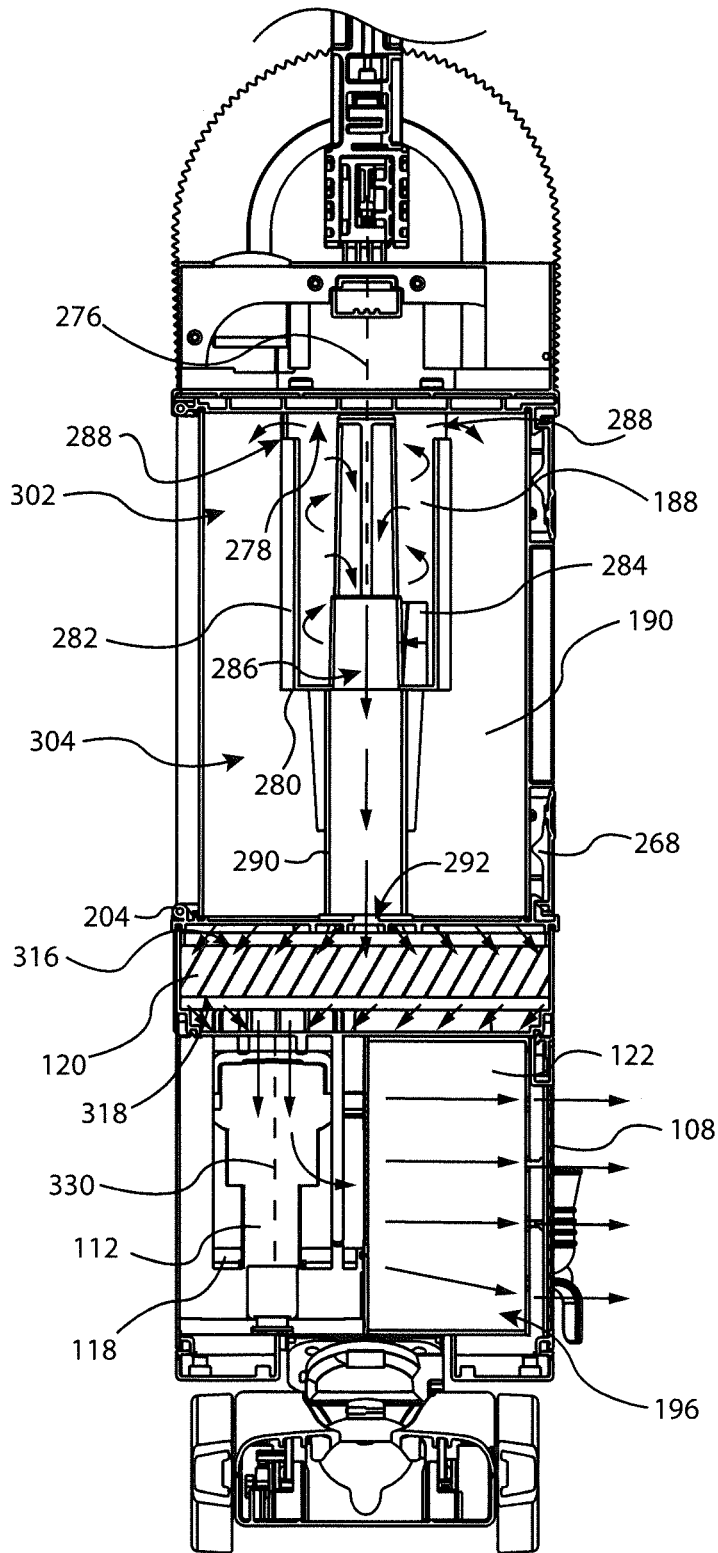


FIG. 34

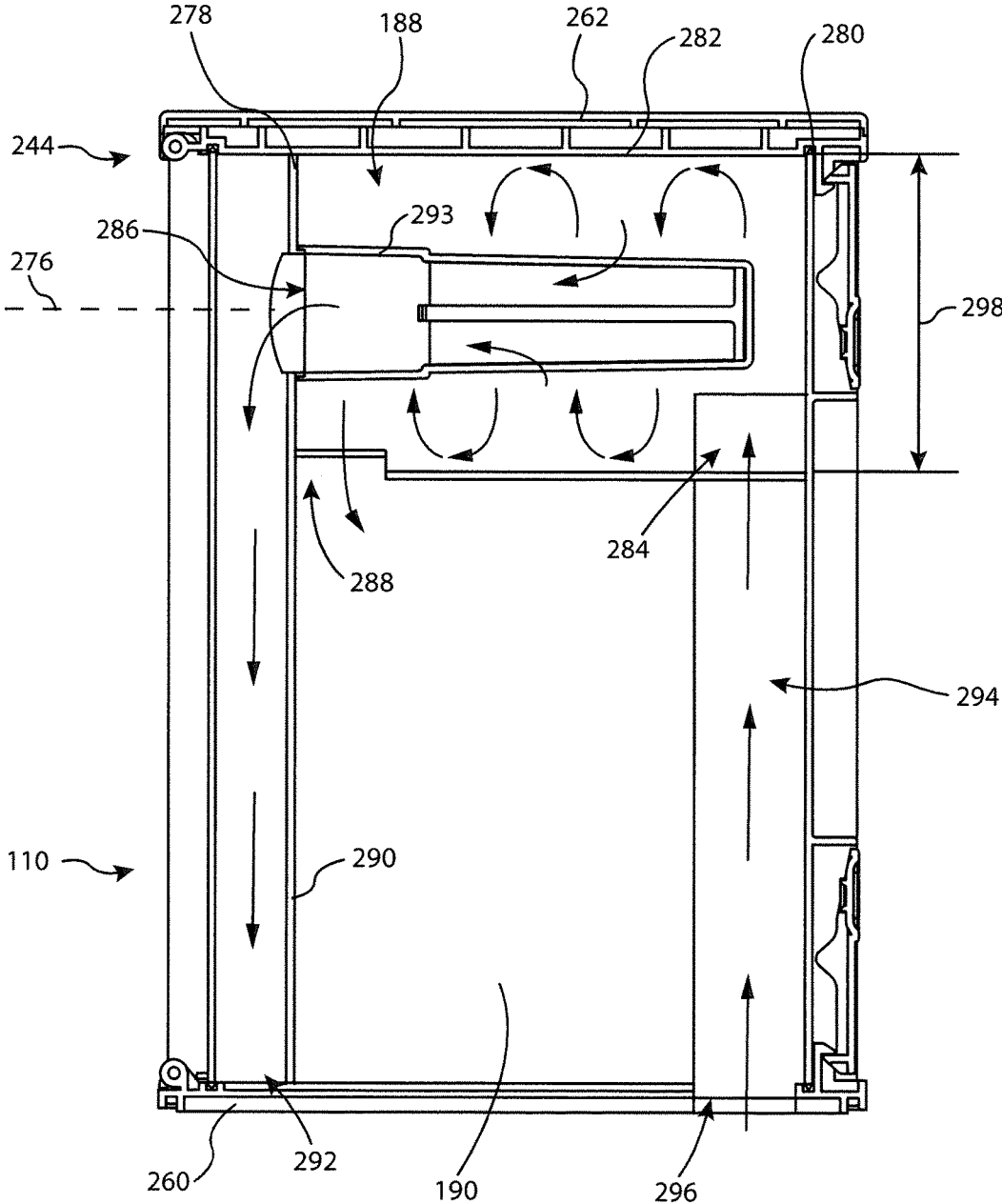


FIG. 35

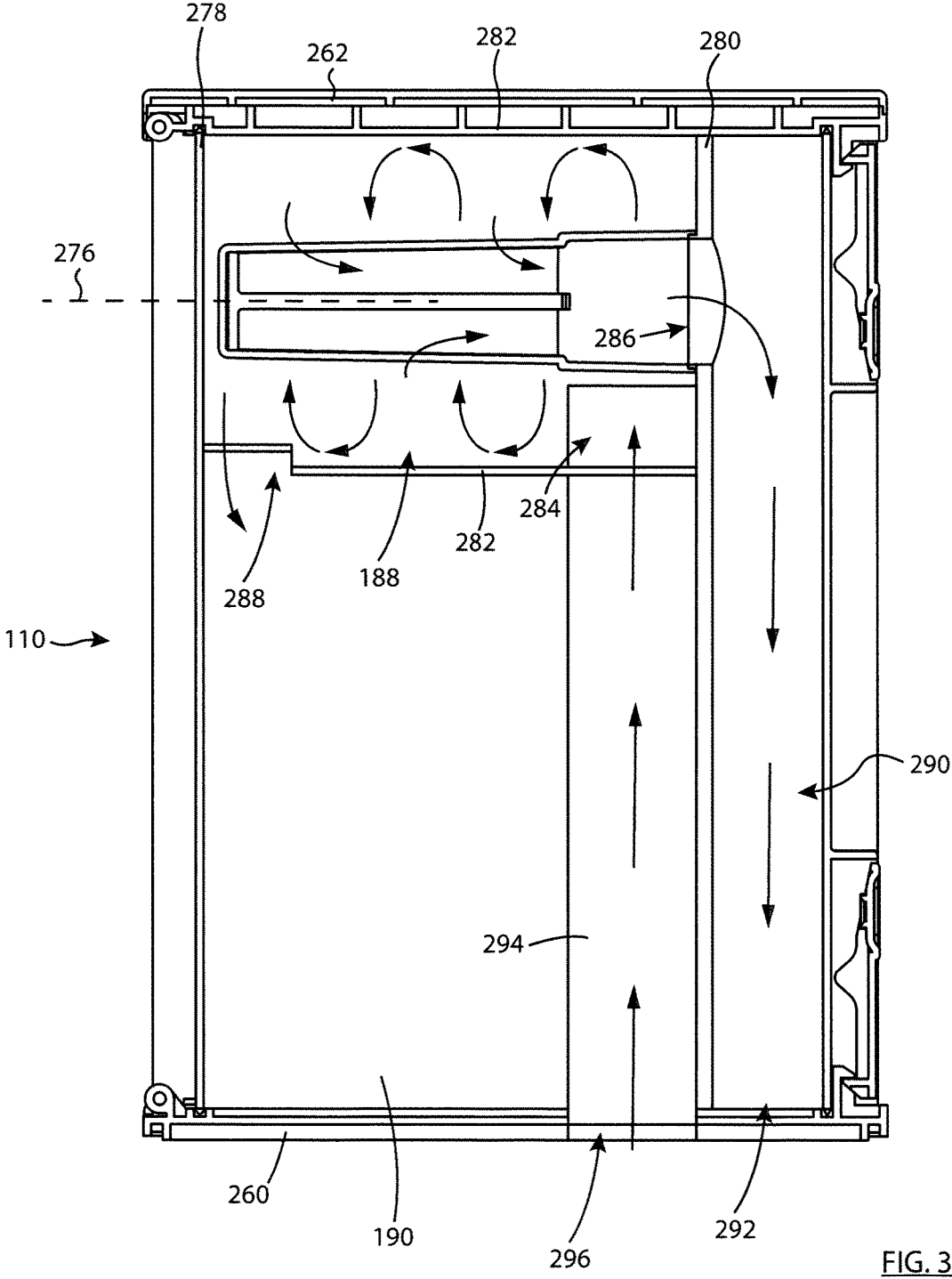


FIG. 36

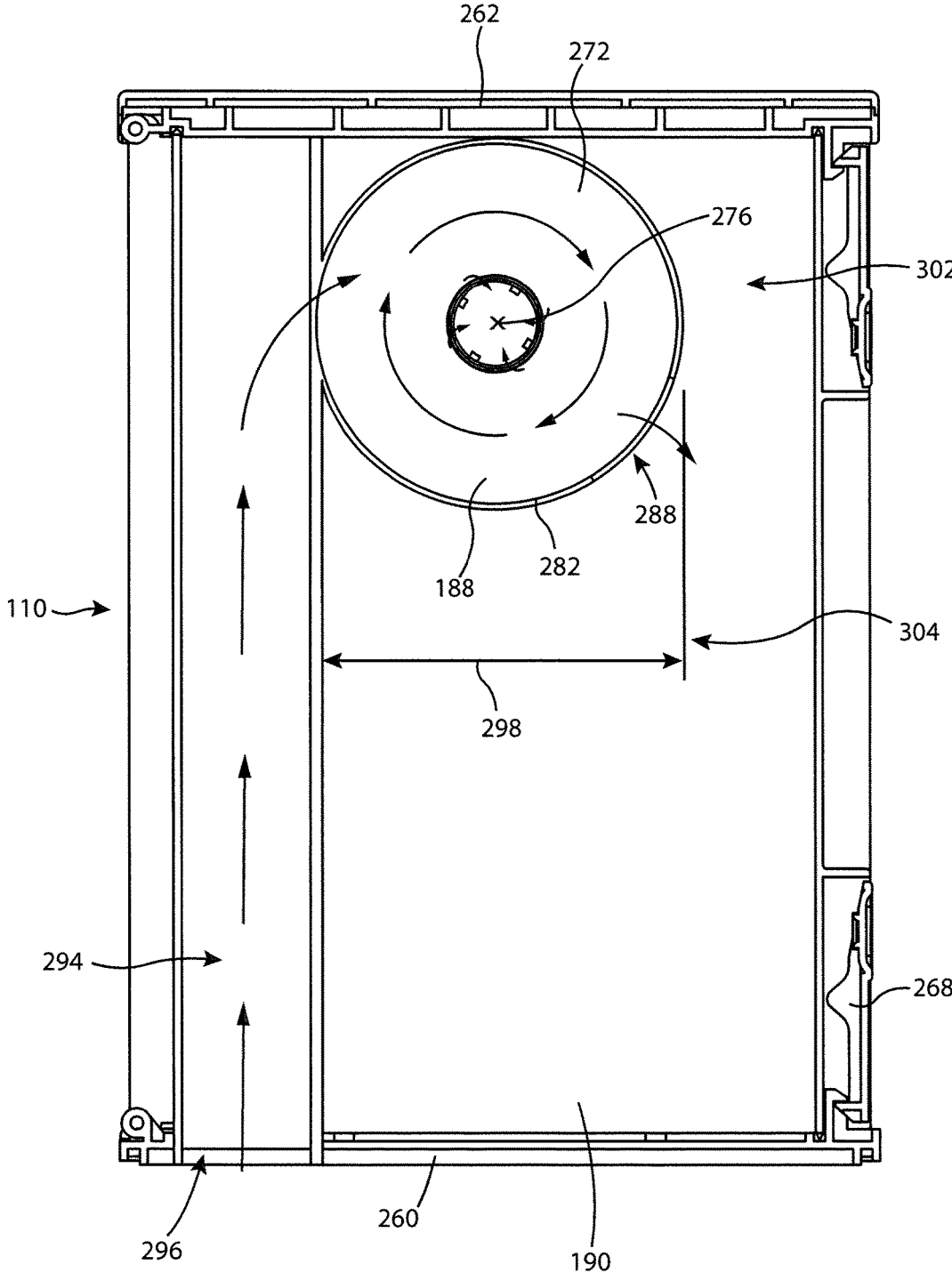


FIG. 37

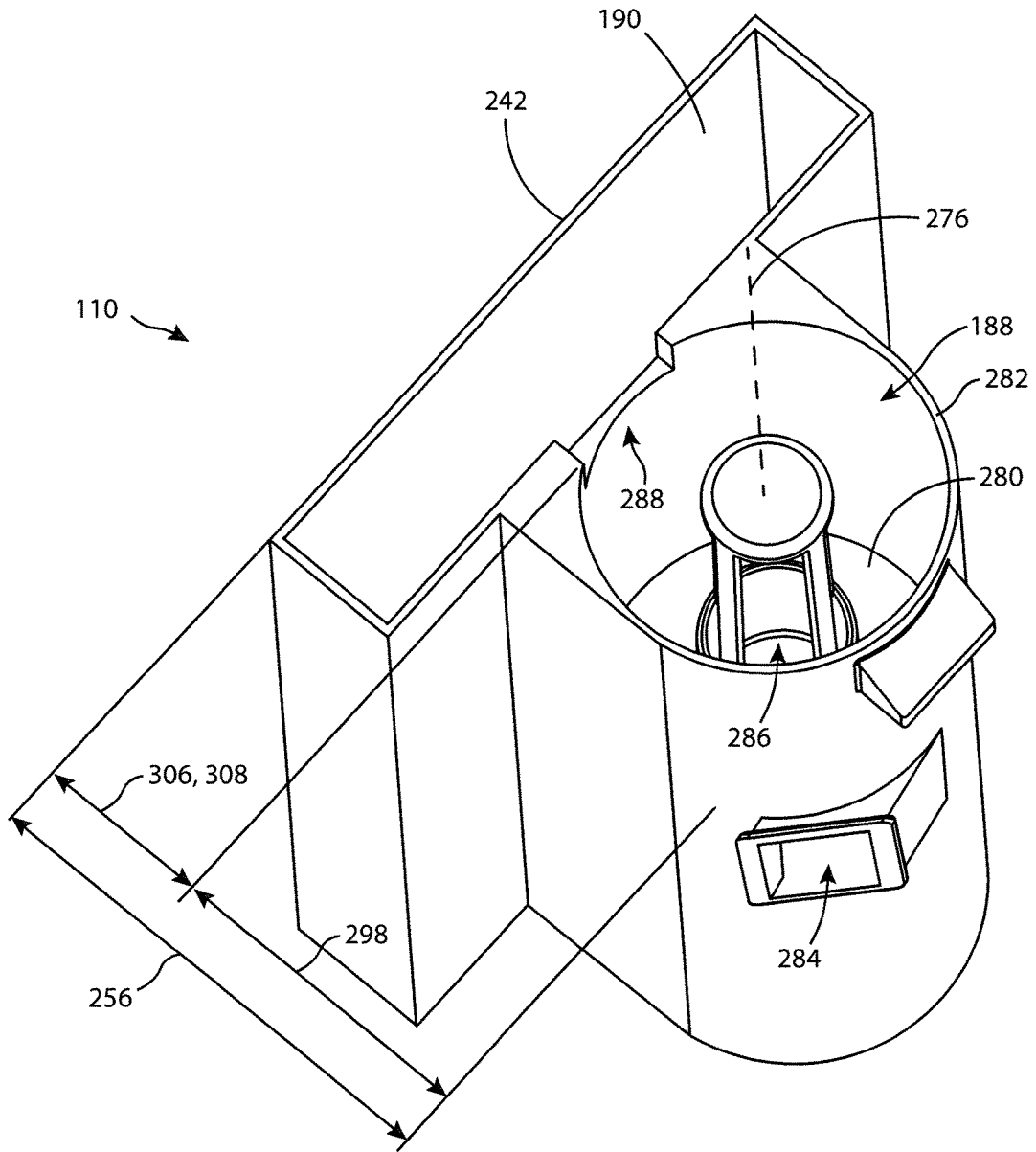


FIG. 38



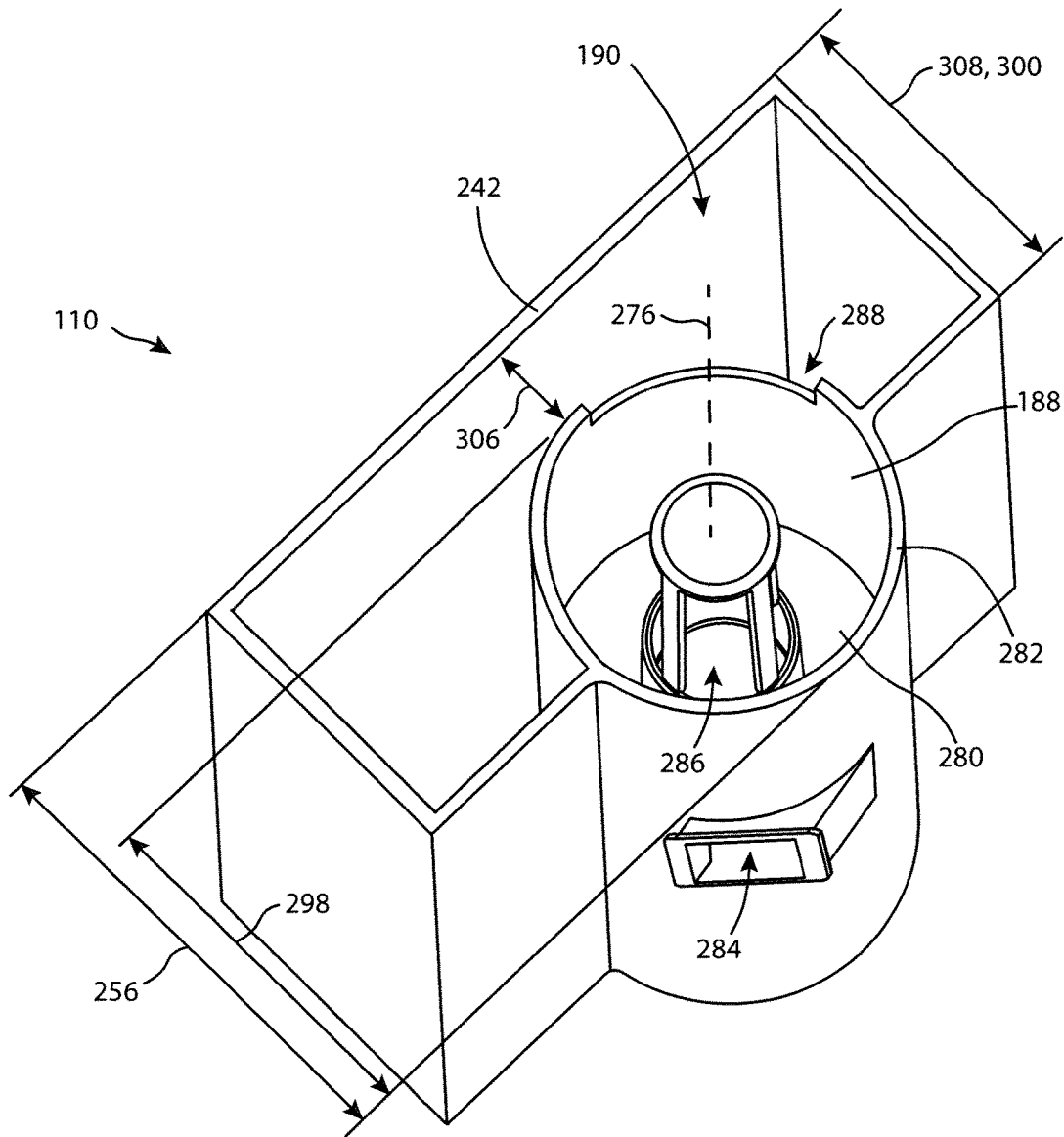


FIG. 39

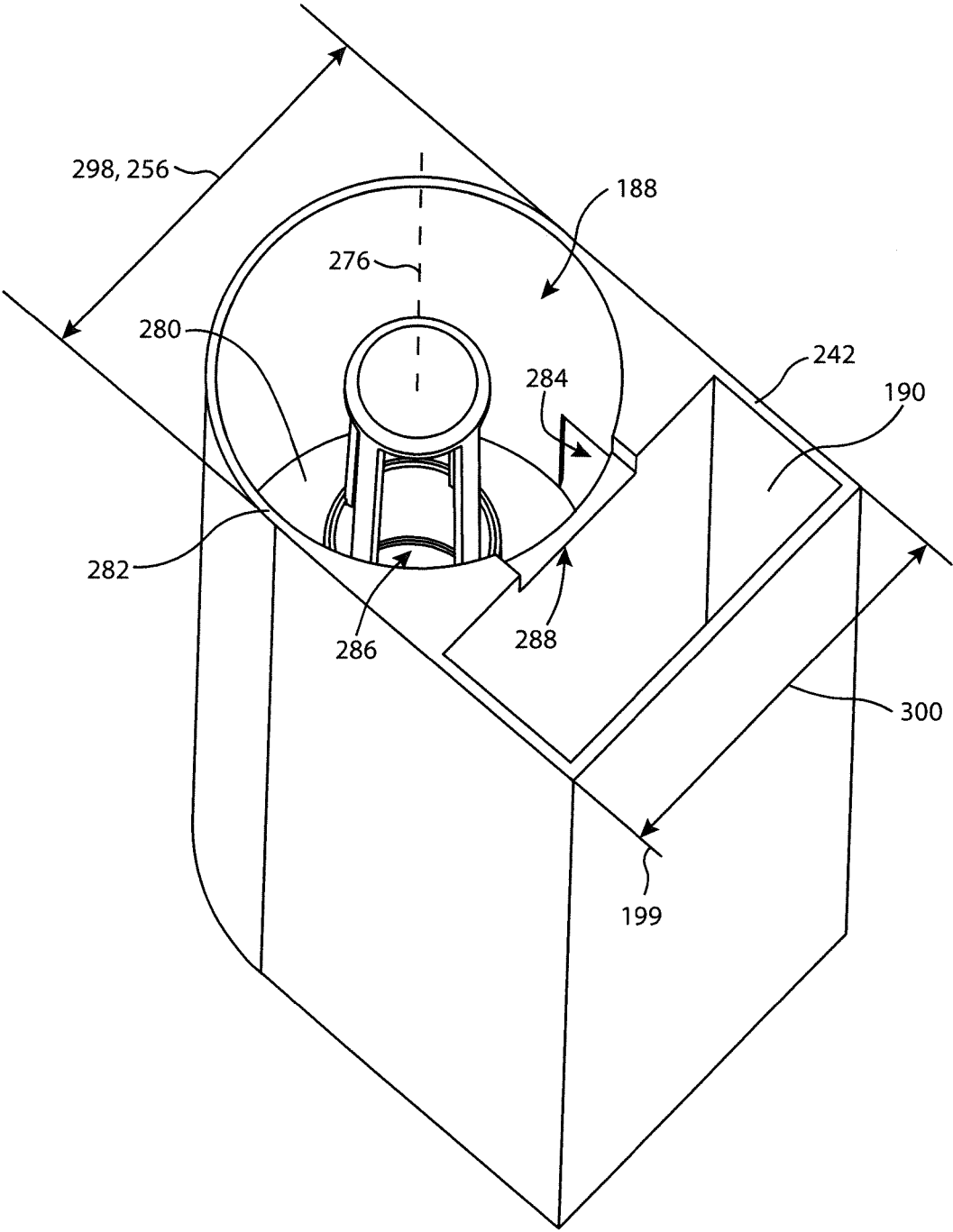


FIG. 40

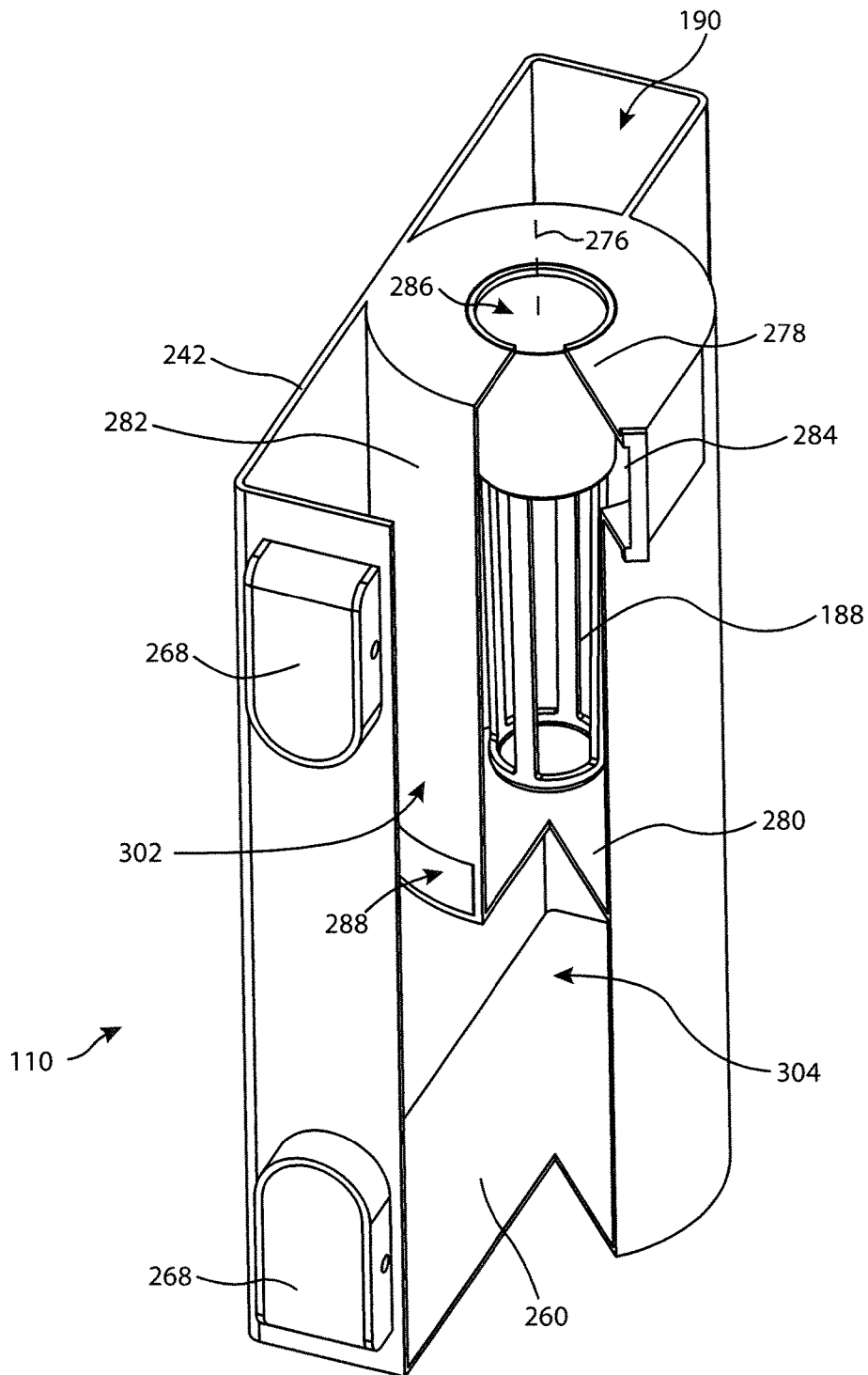


FIG. 41

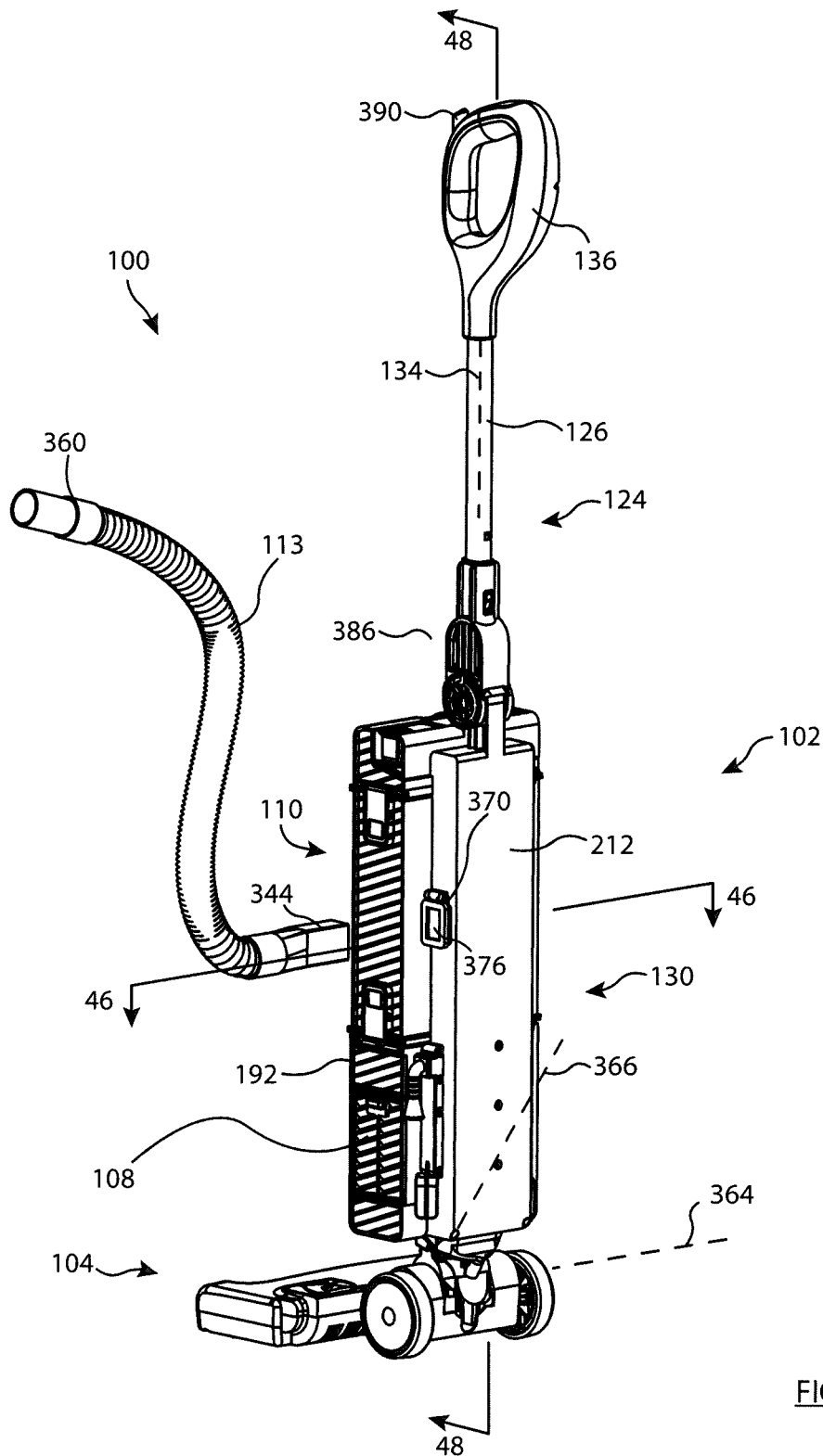


FIG. 42

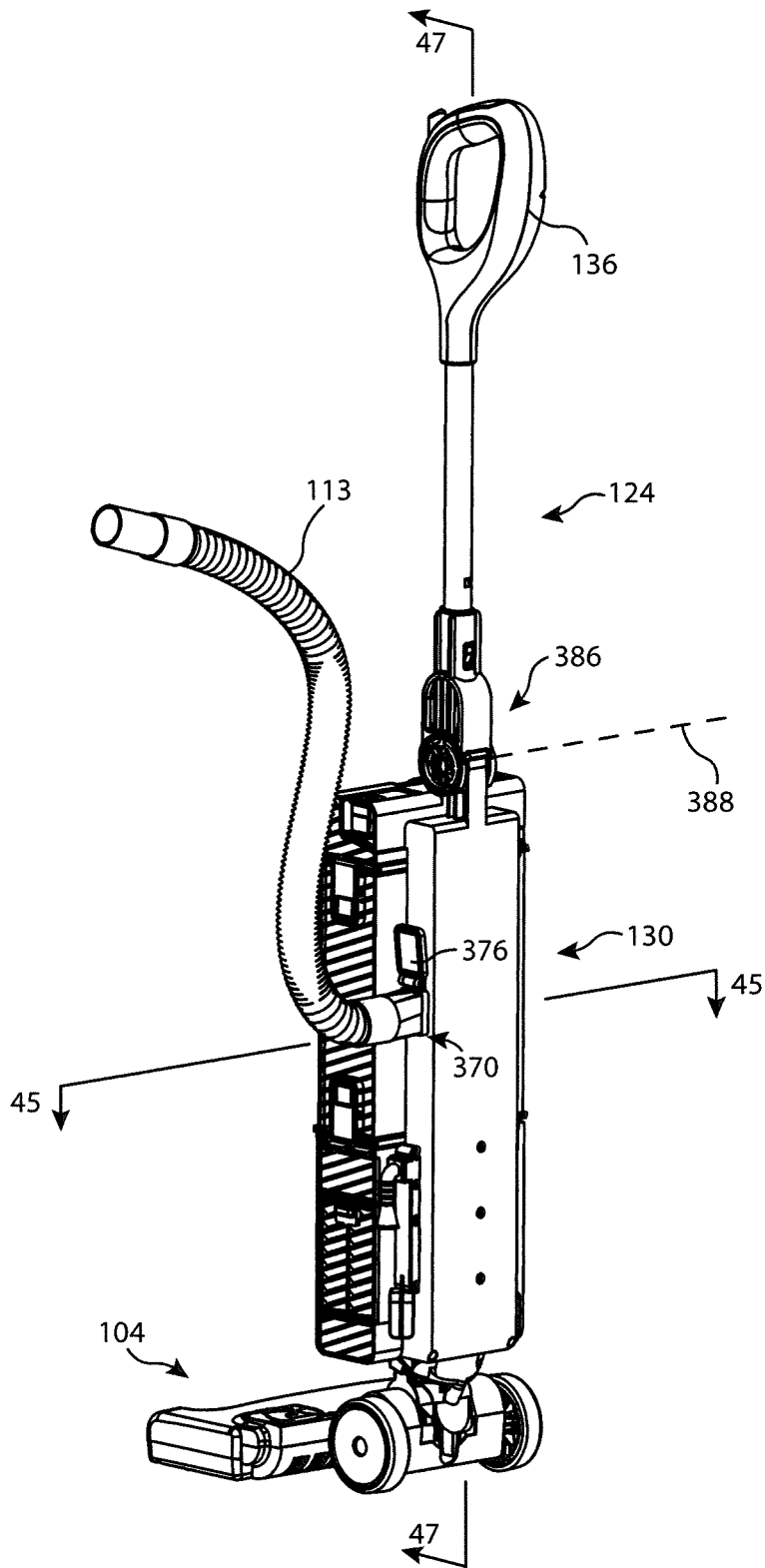


FIG. 43

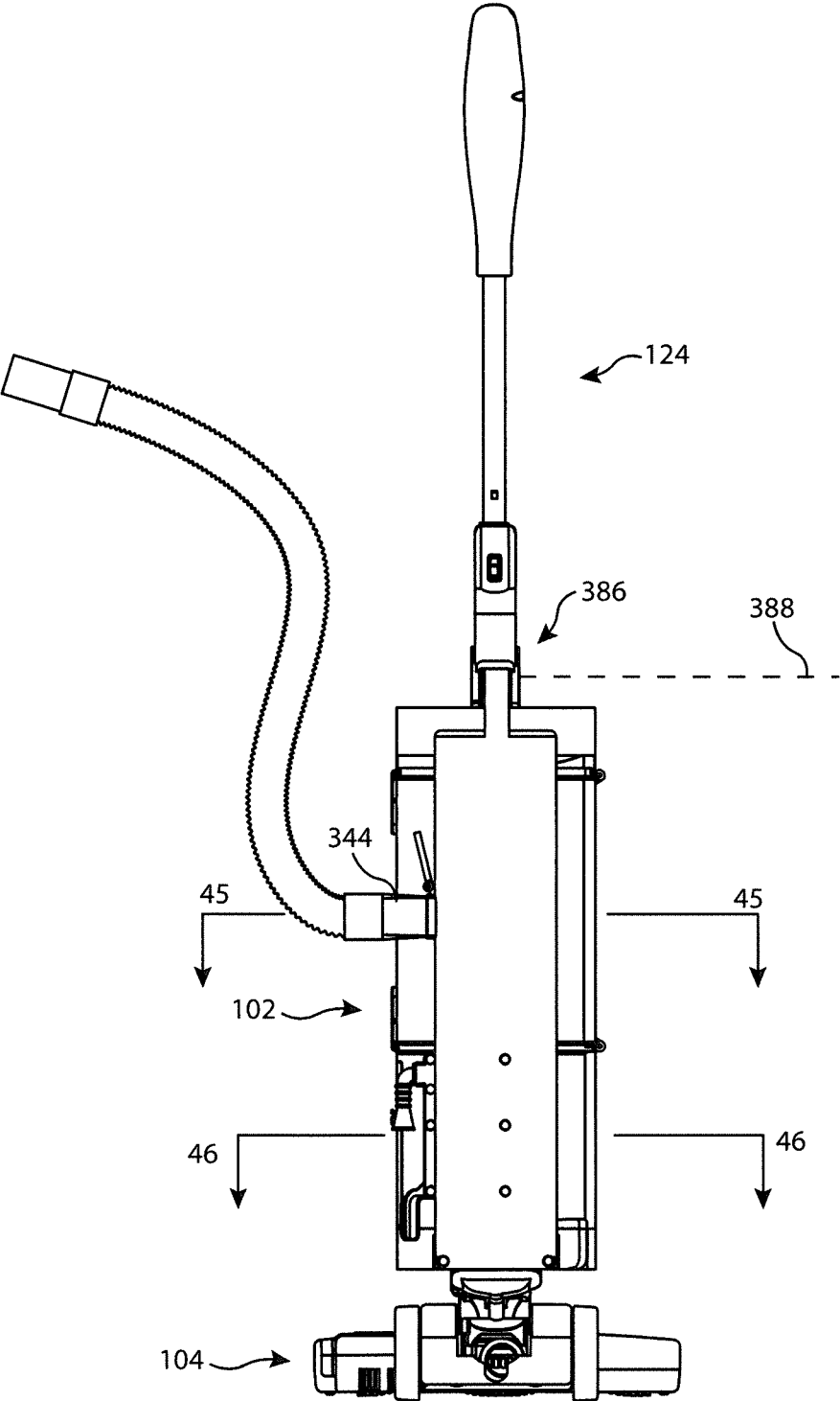


FIG. 44

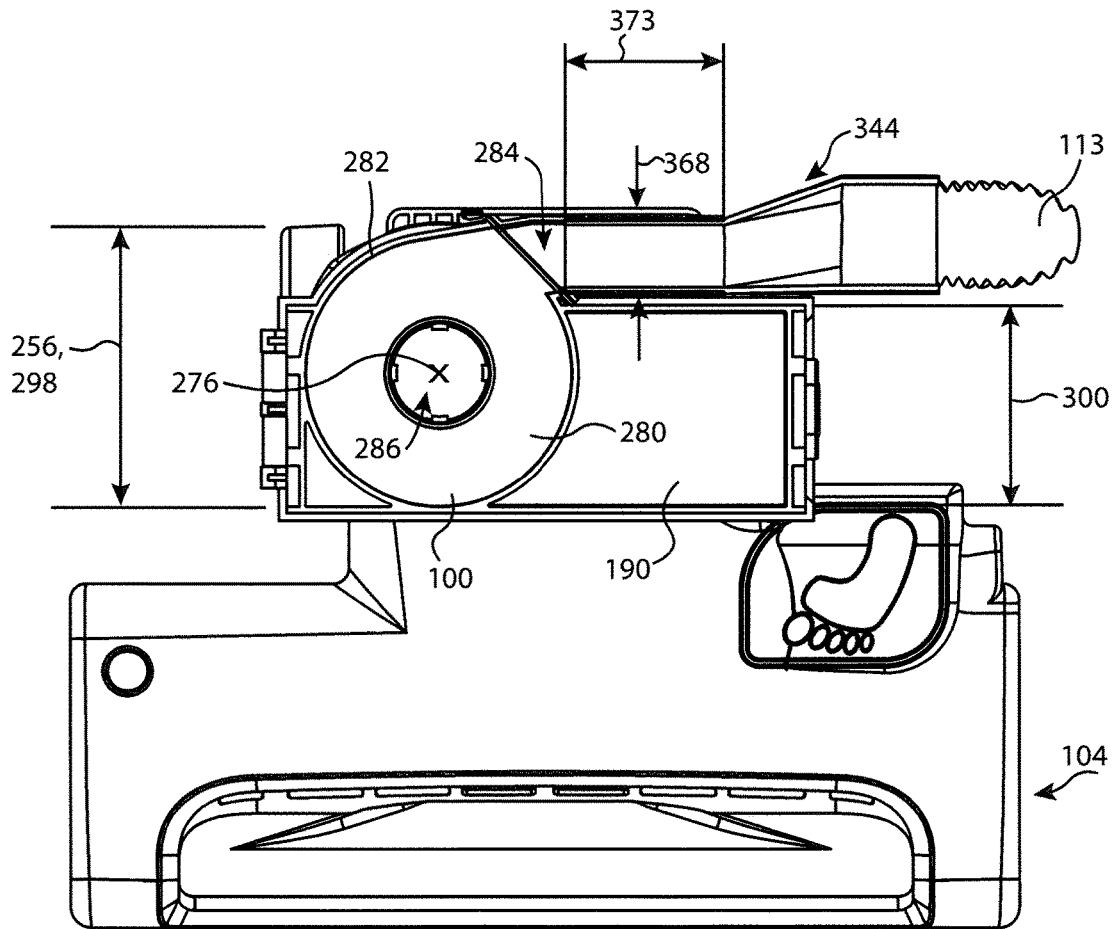


FIG. 45

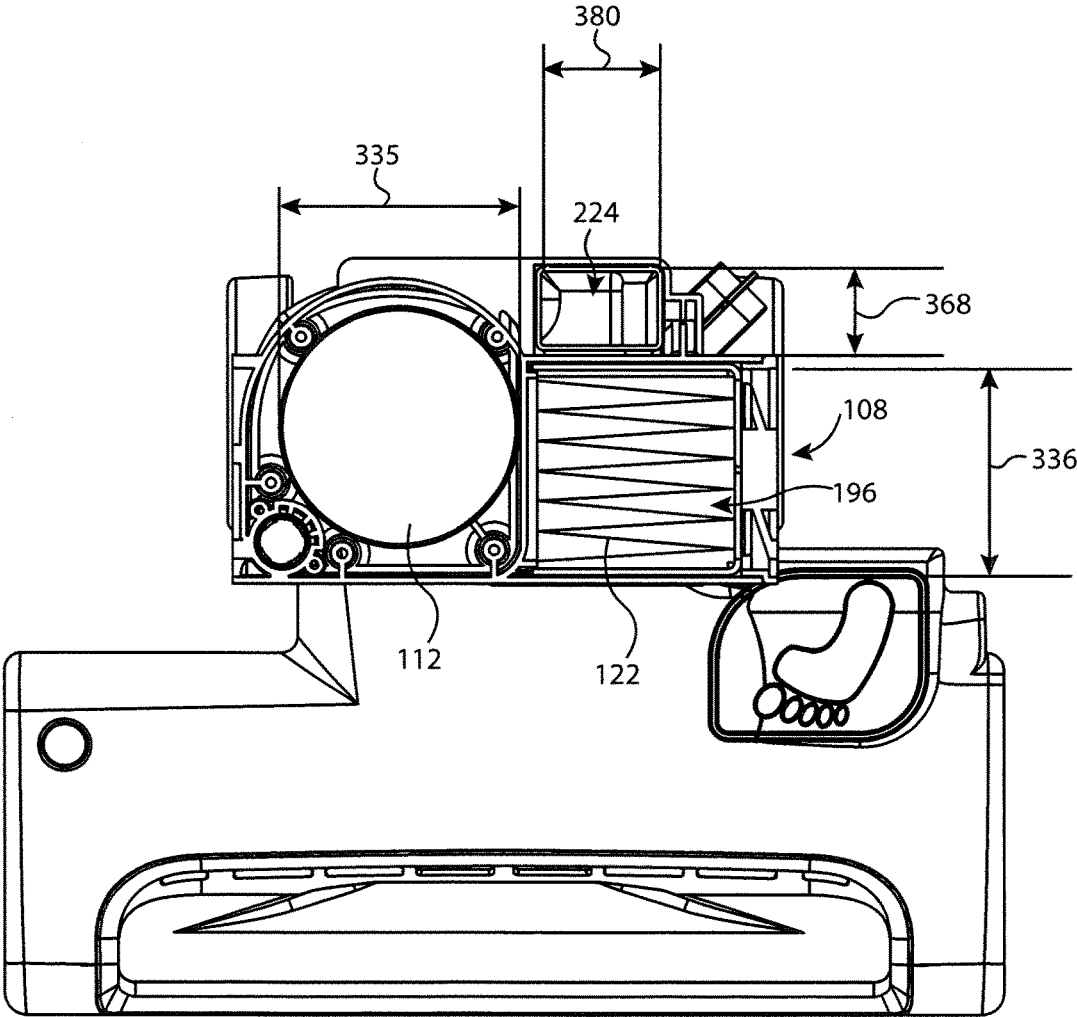


FIG. 46



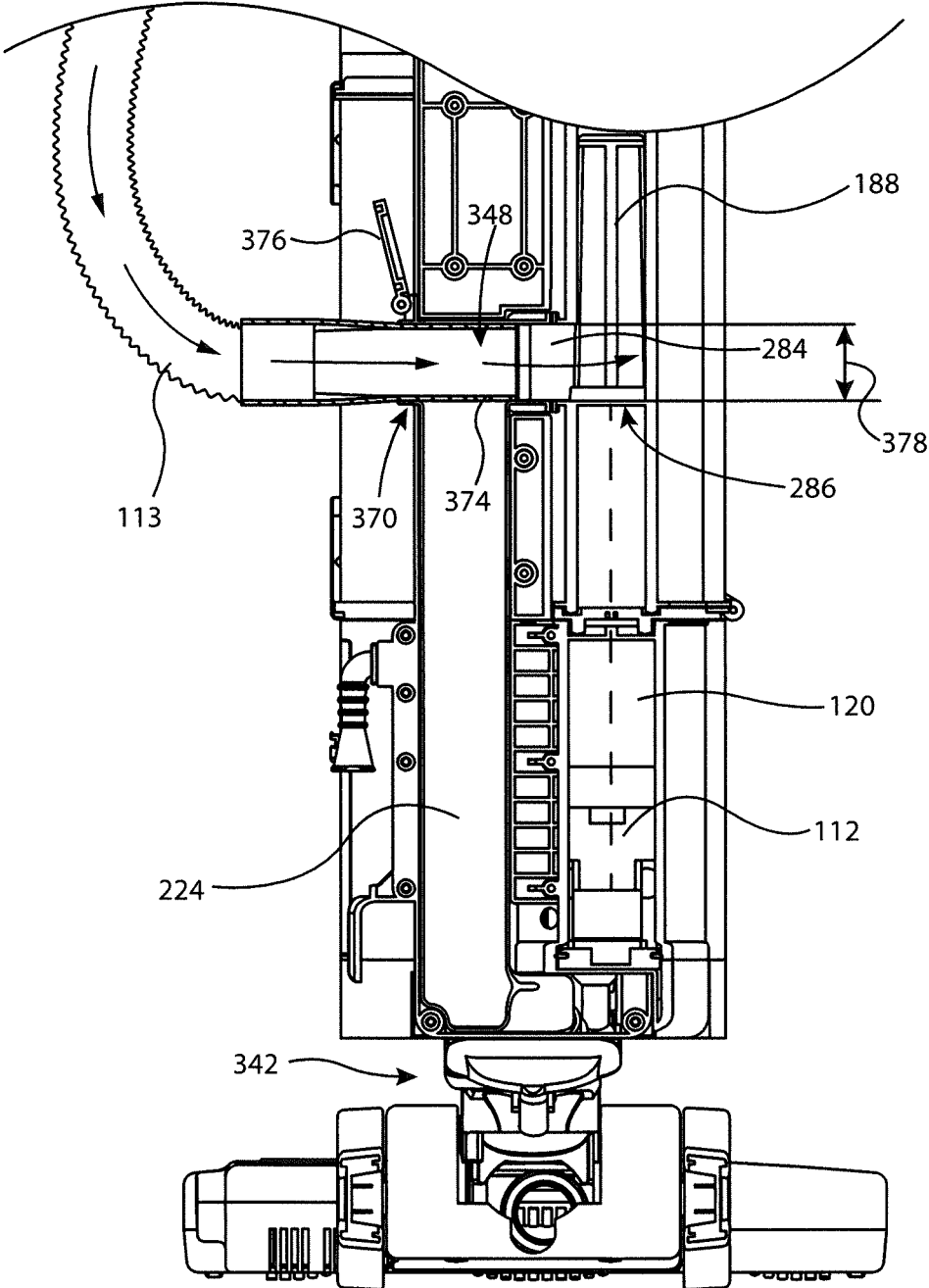


FIG. 47

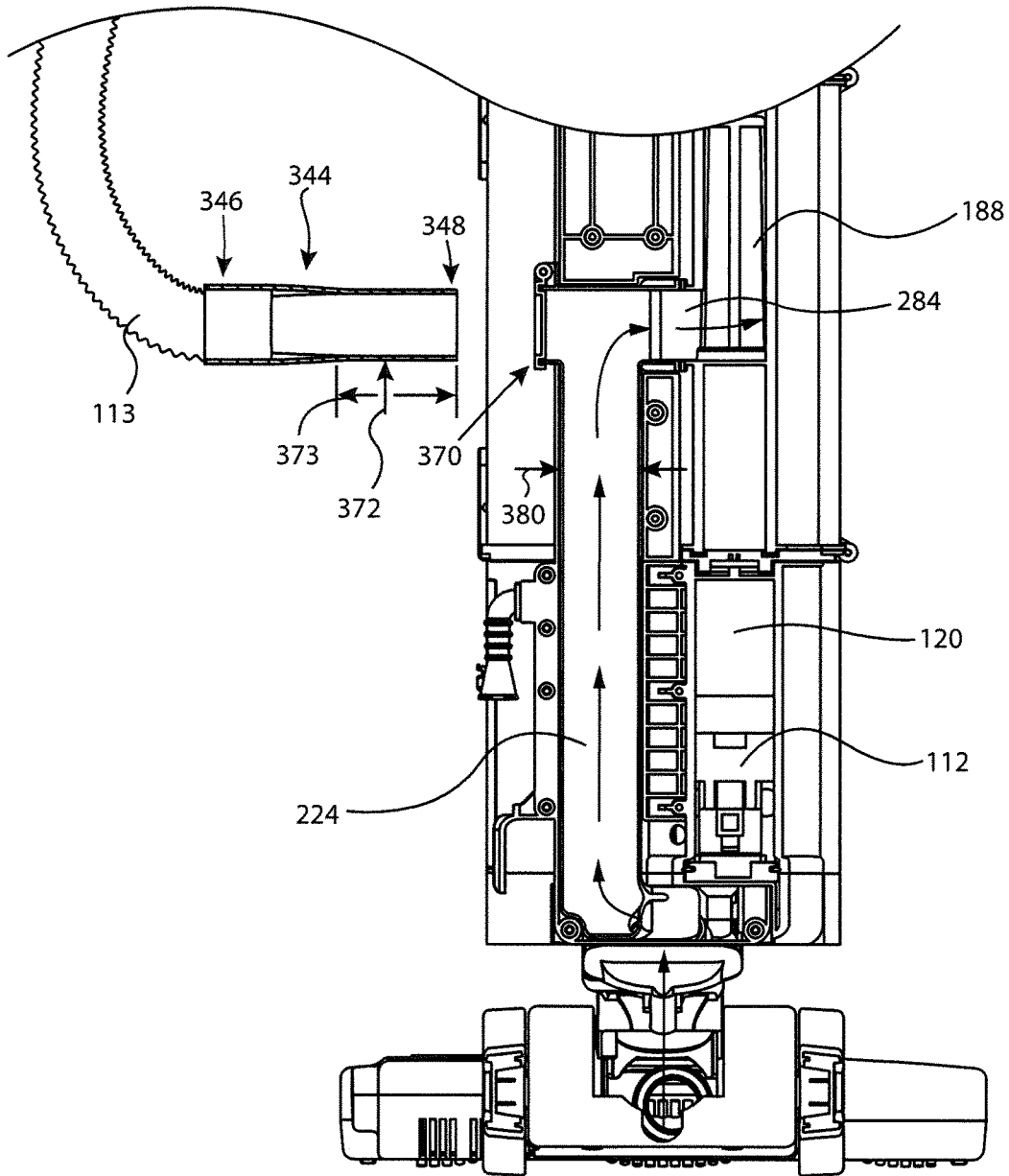


FIG. 48

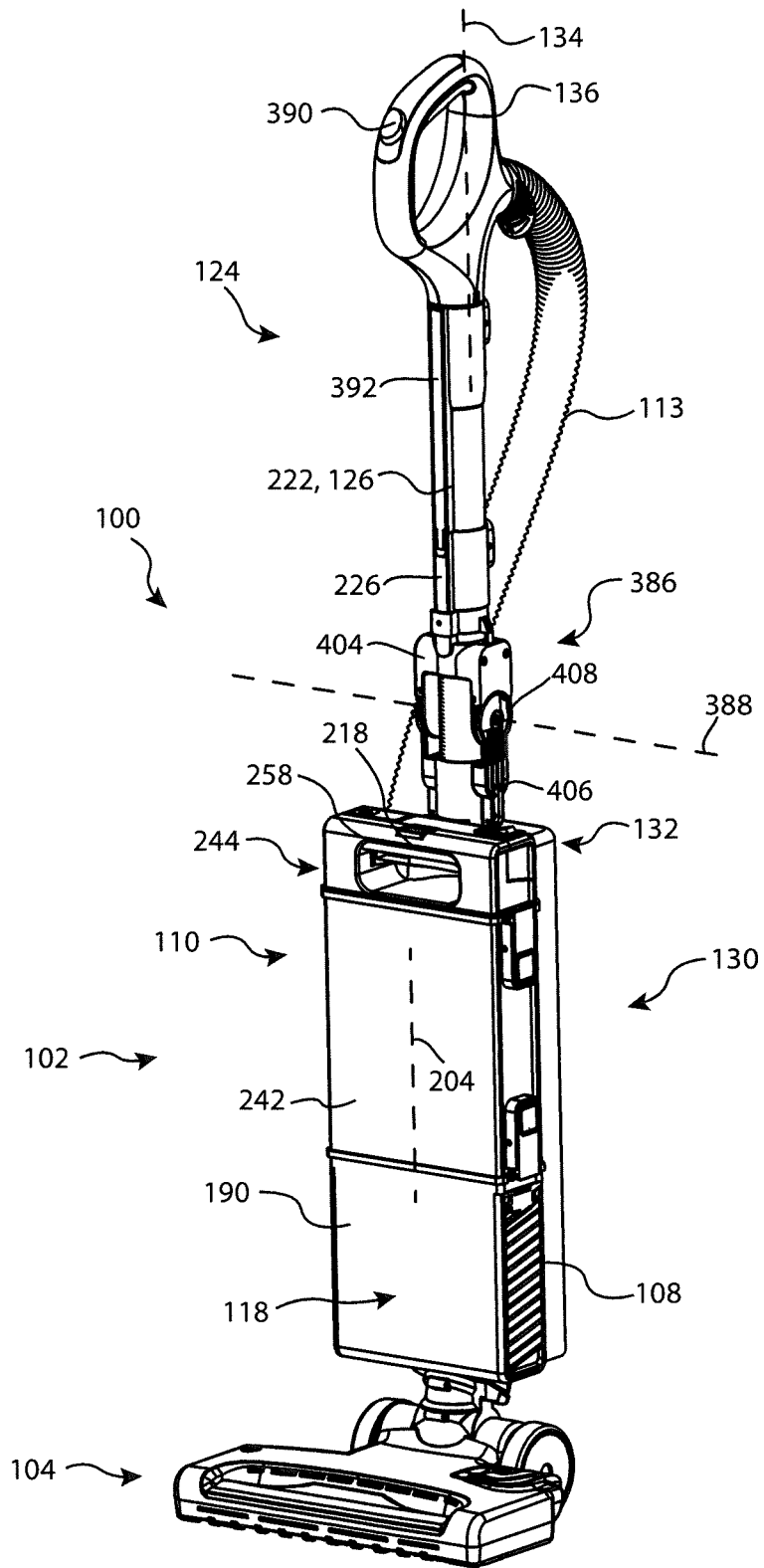


FIG. 49

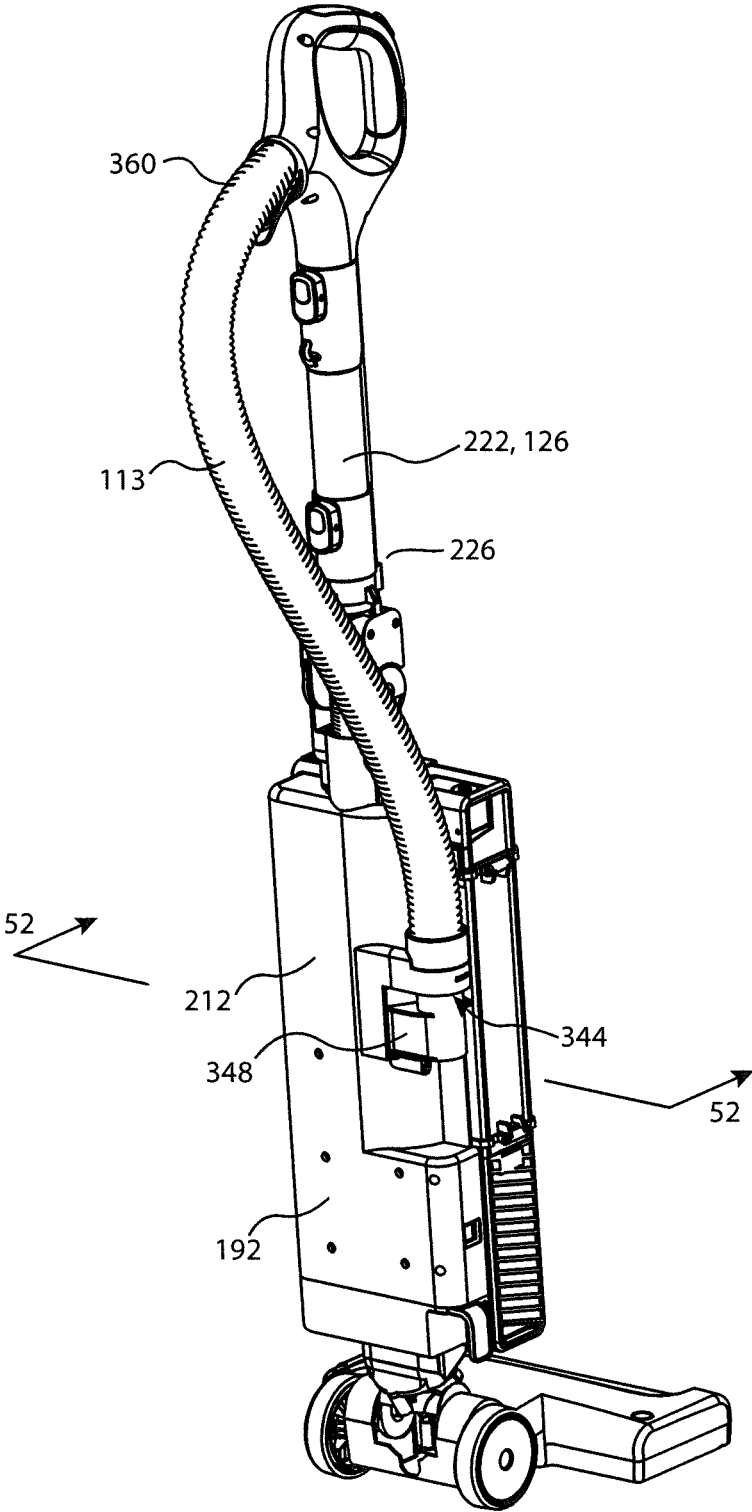


FIG. 50

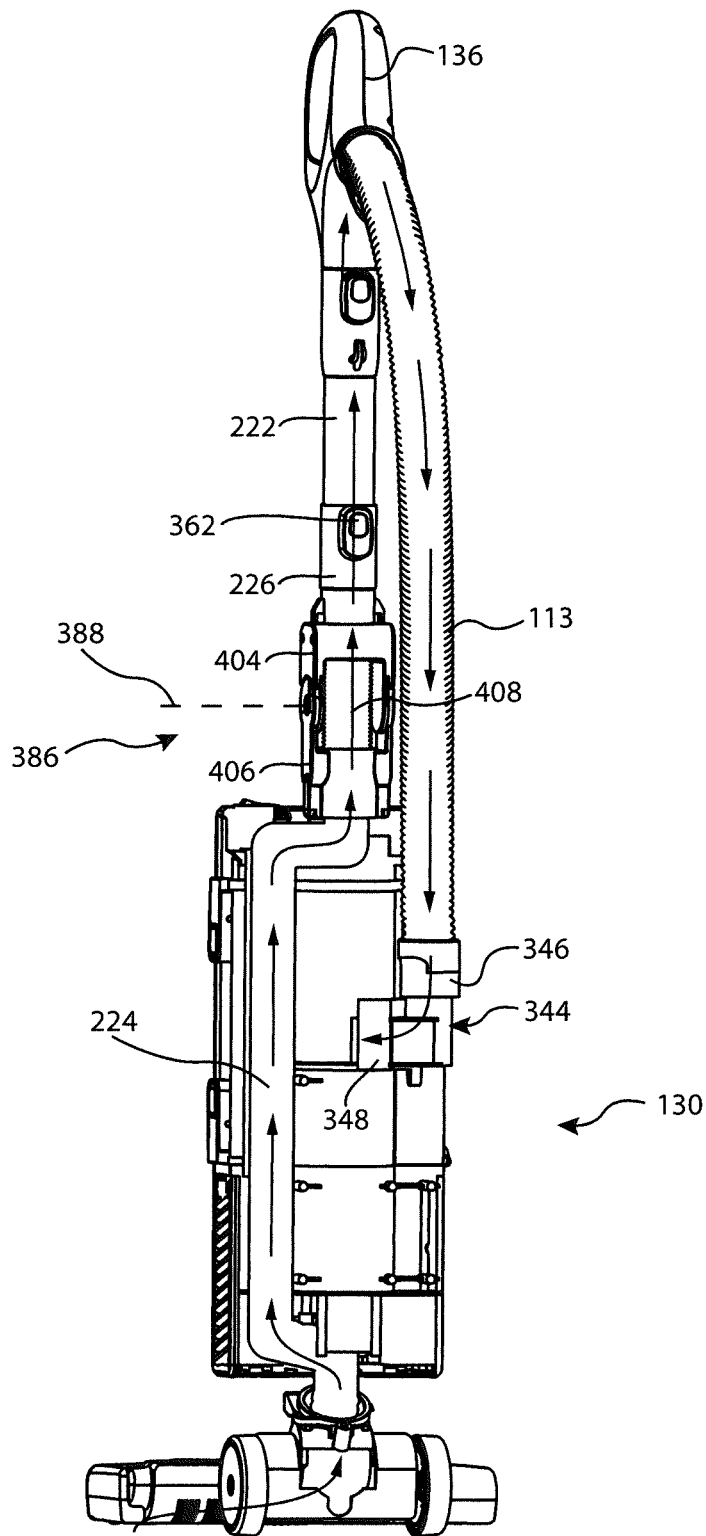


FIG. 51

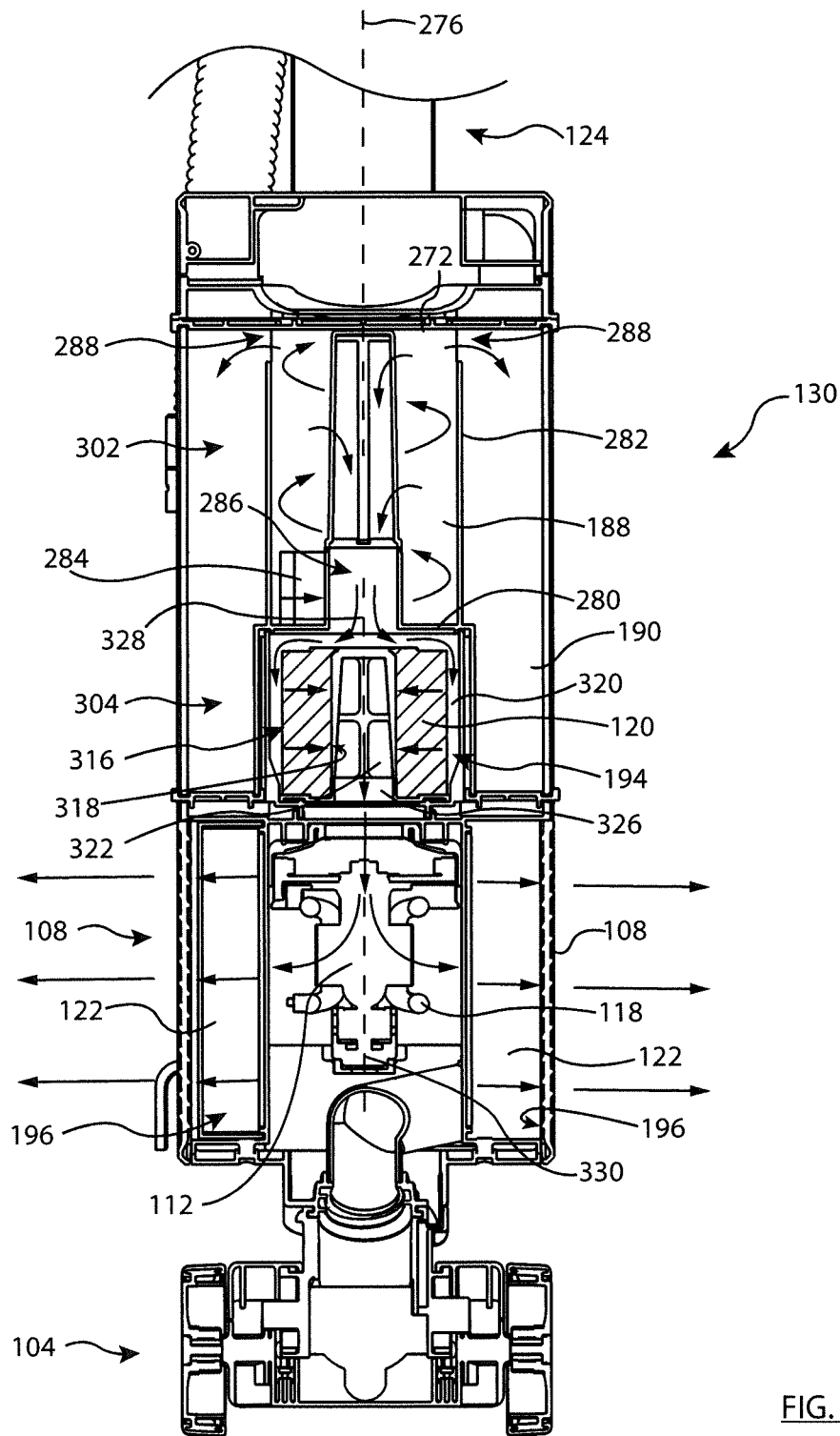


FIG. 52

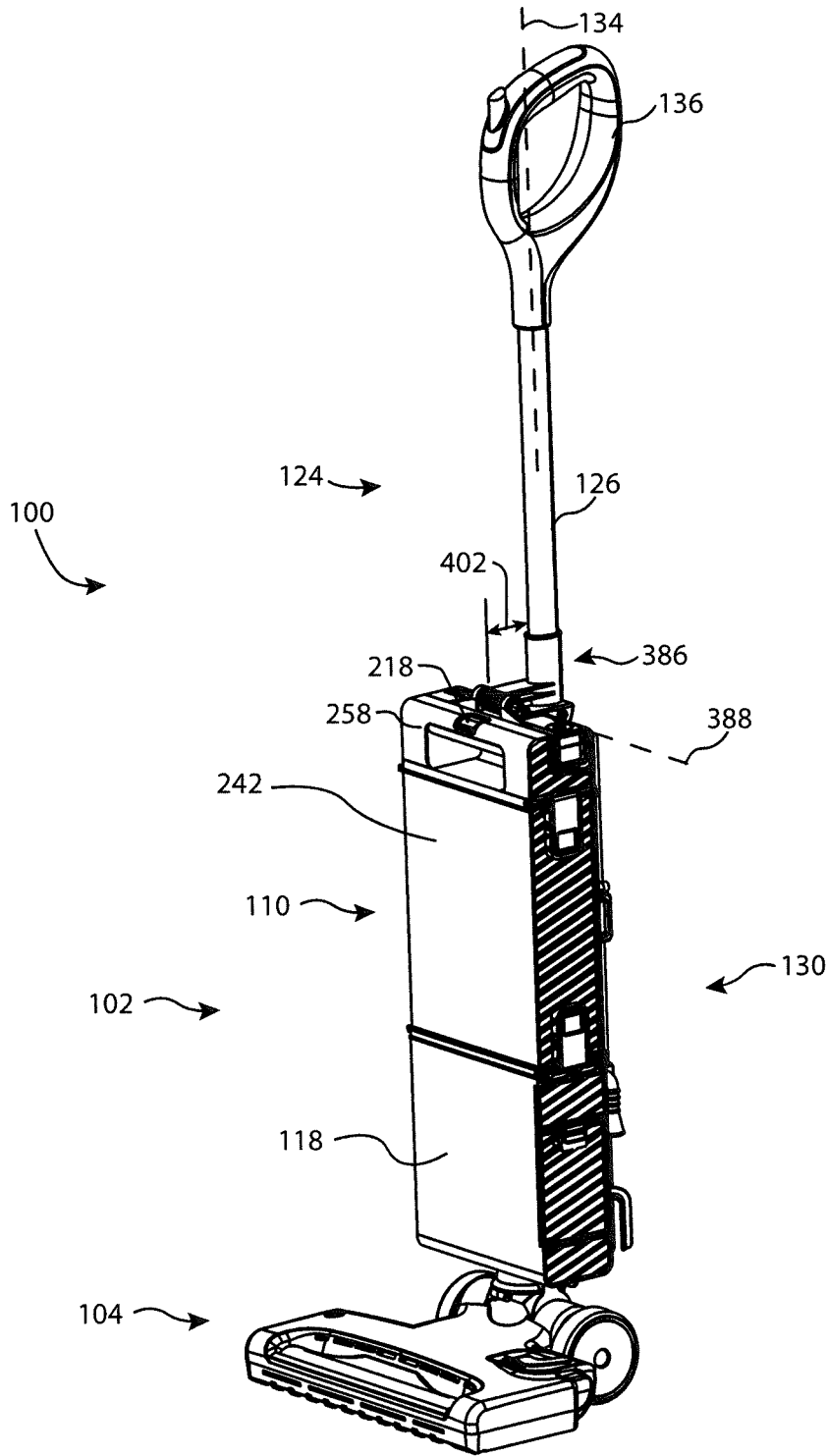


FIG. 53

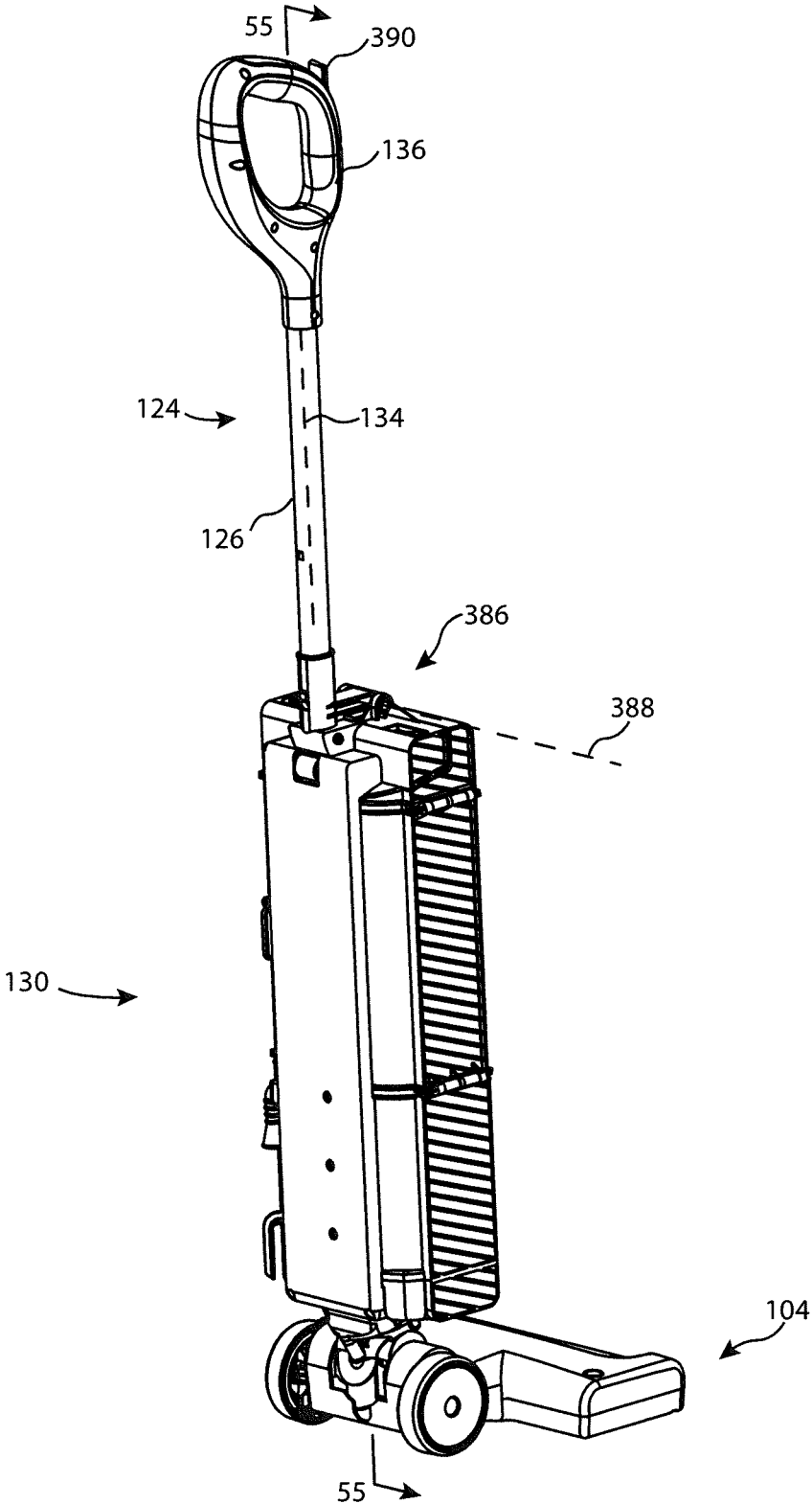


FIG. 54



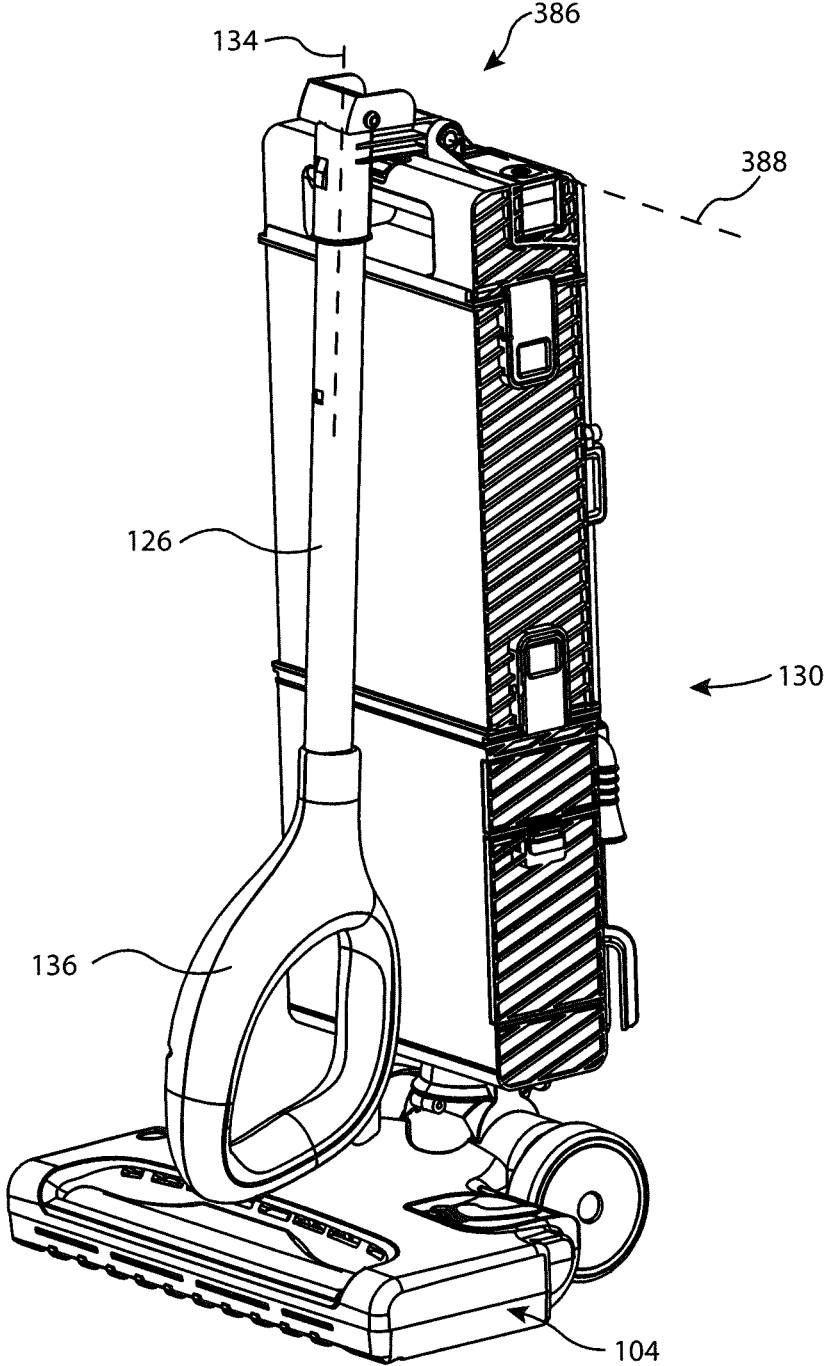


FIG. 55

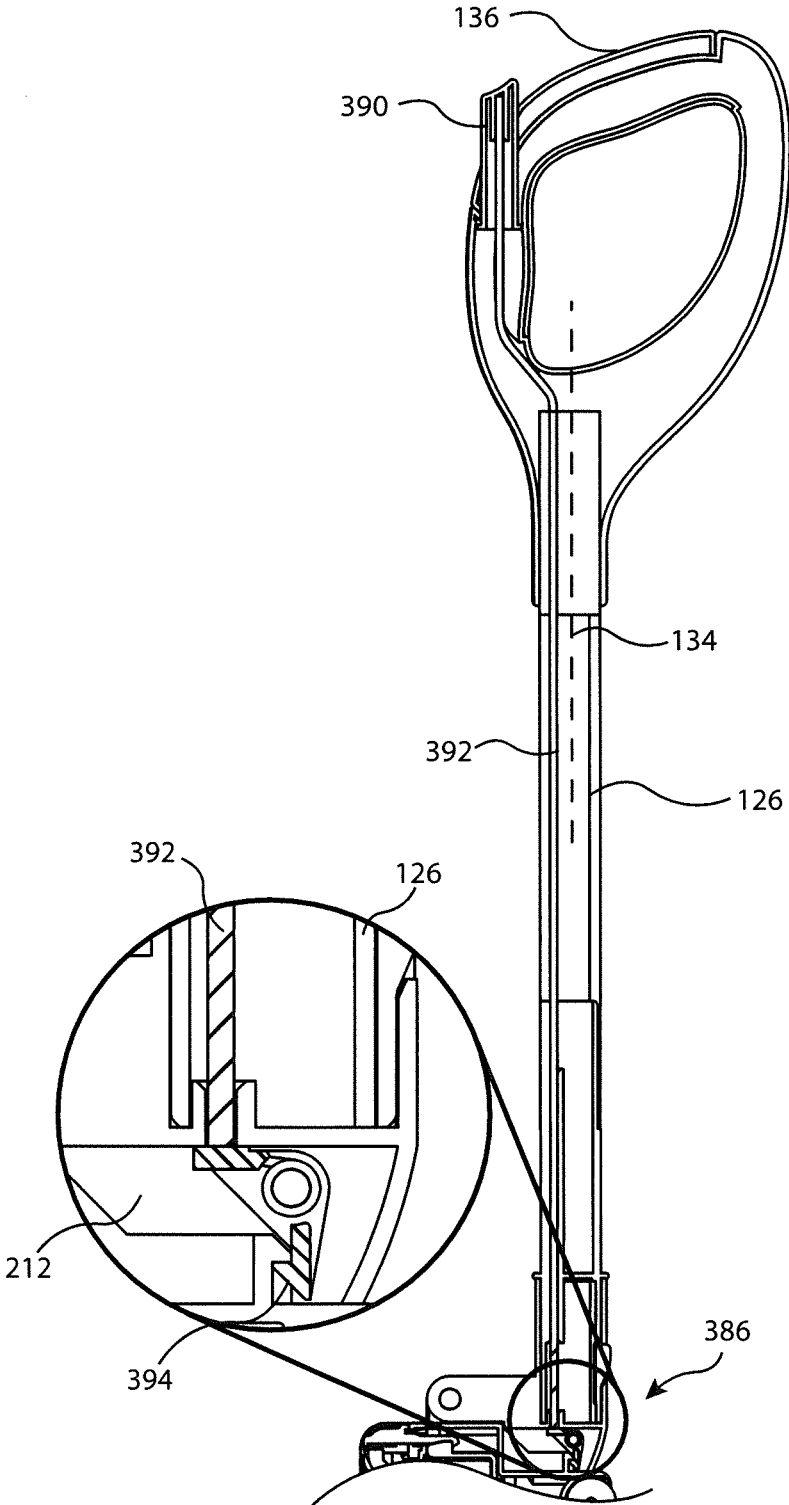


FIG. 56

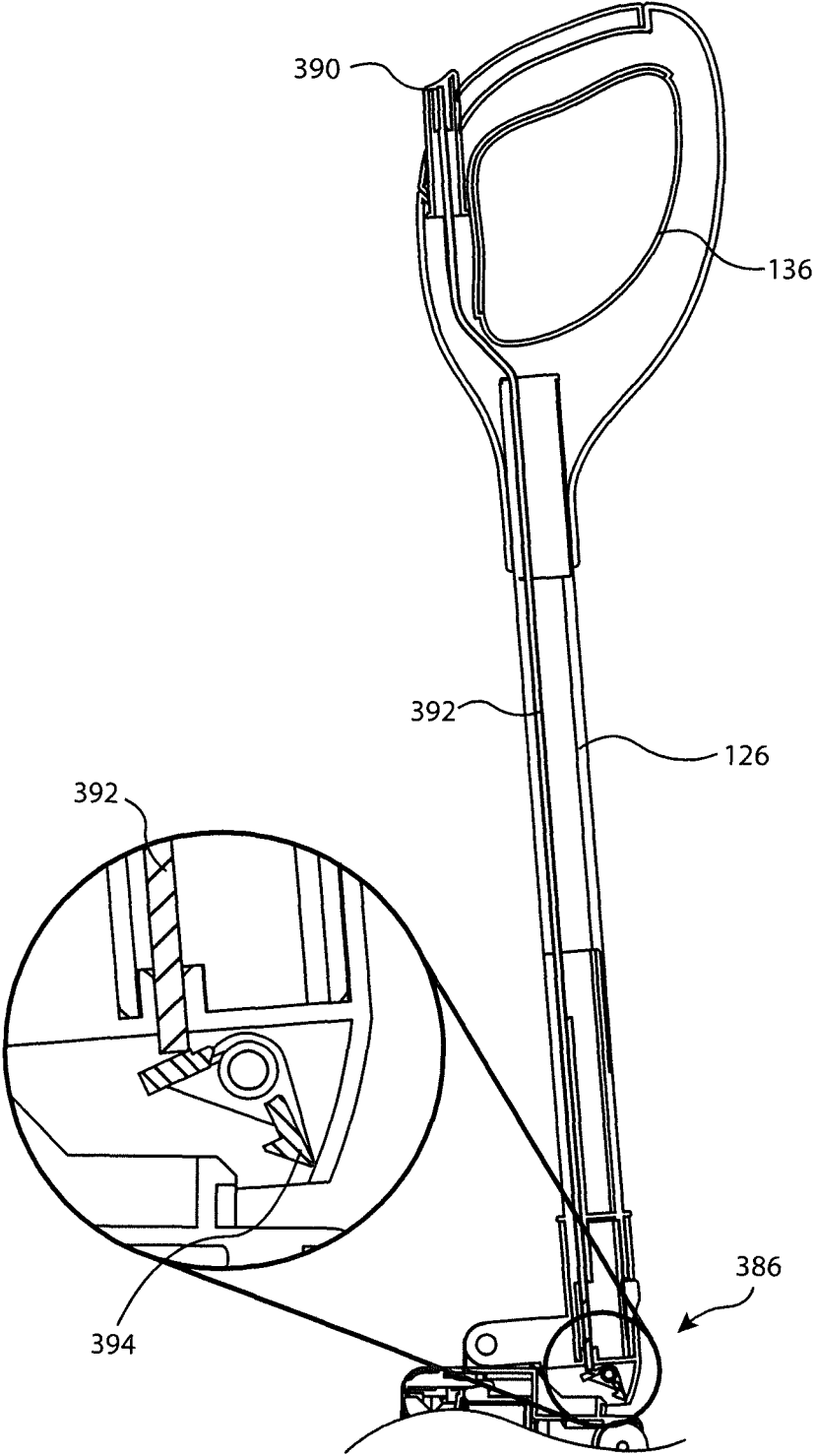


FIG. 57

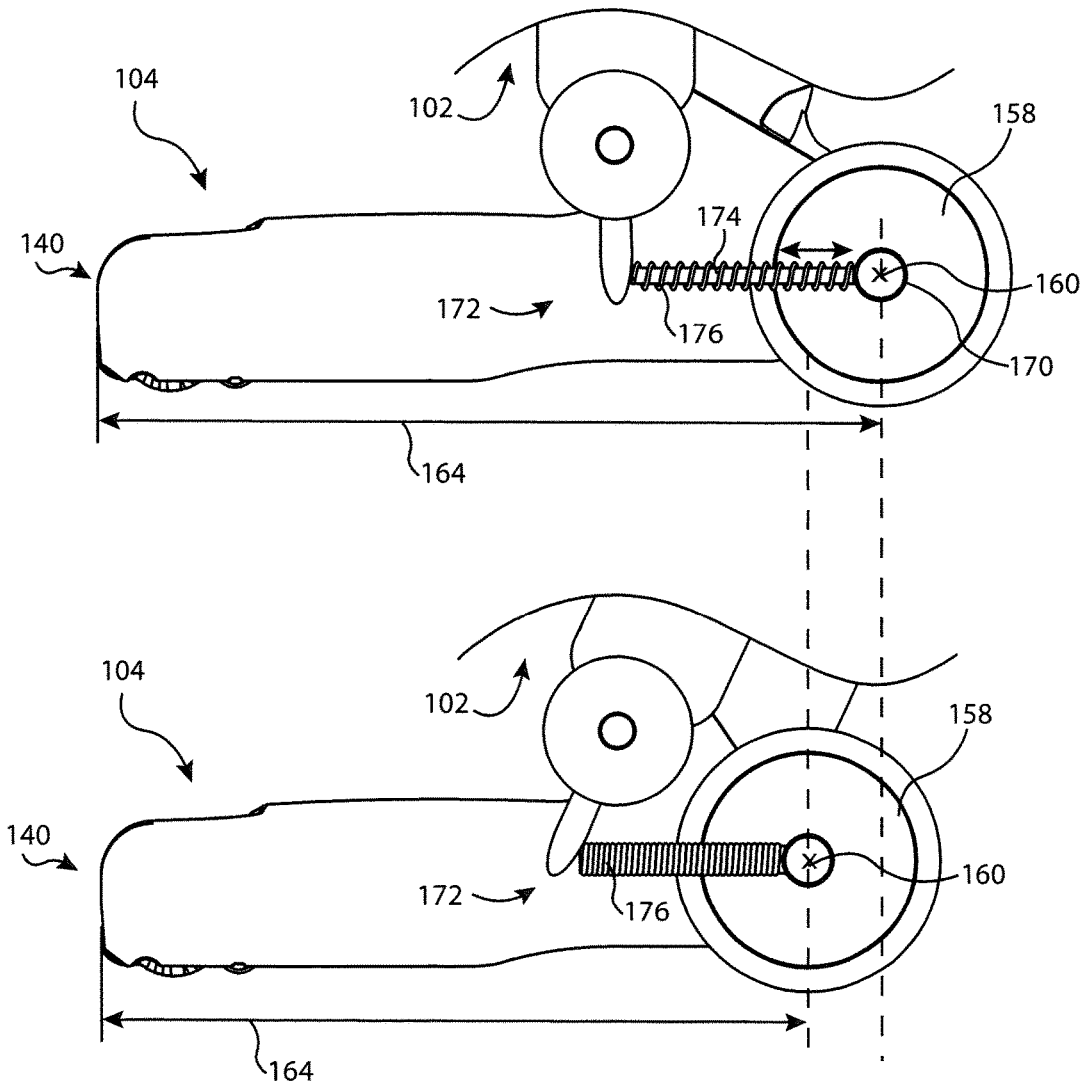


FIG. 58

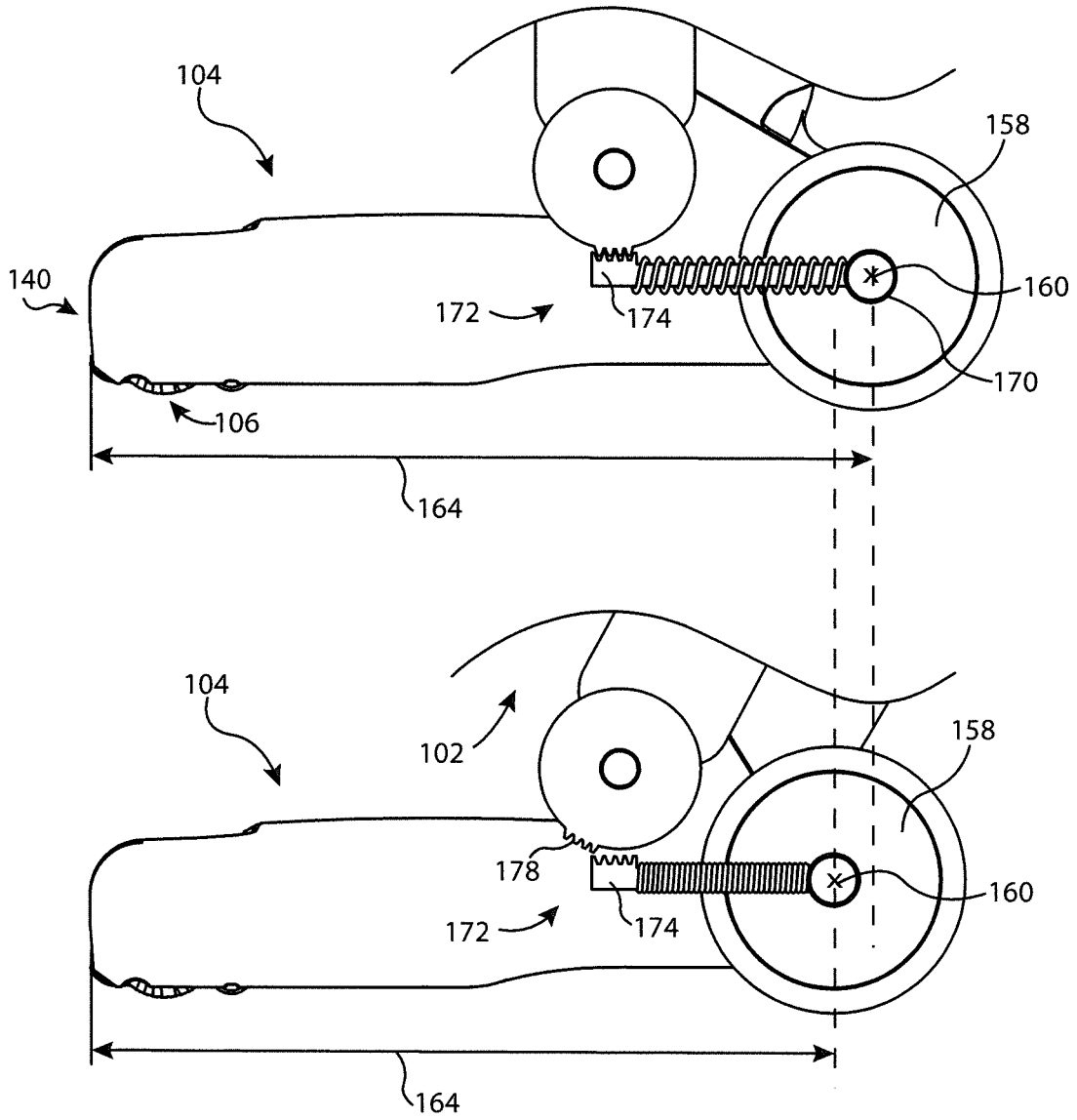


FIG. 59

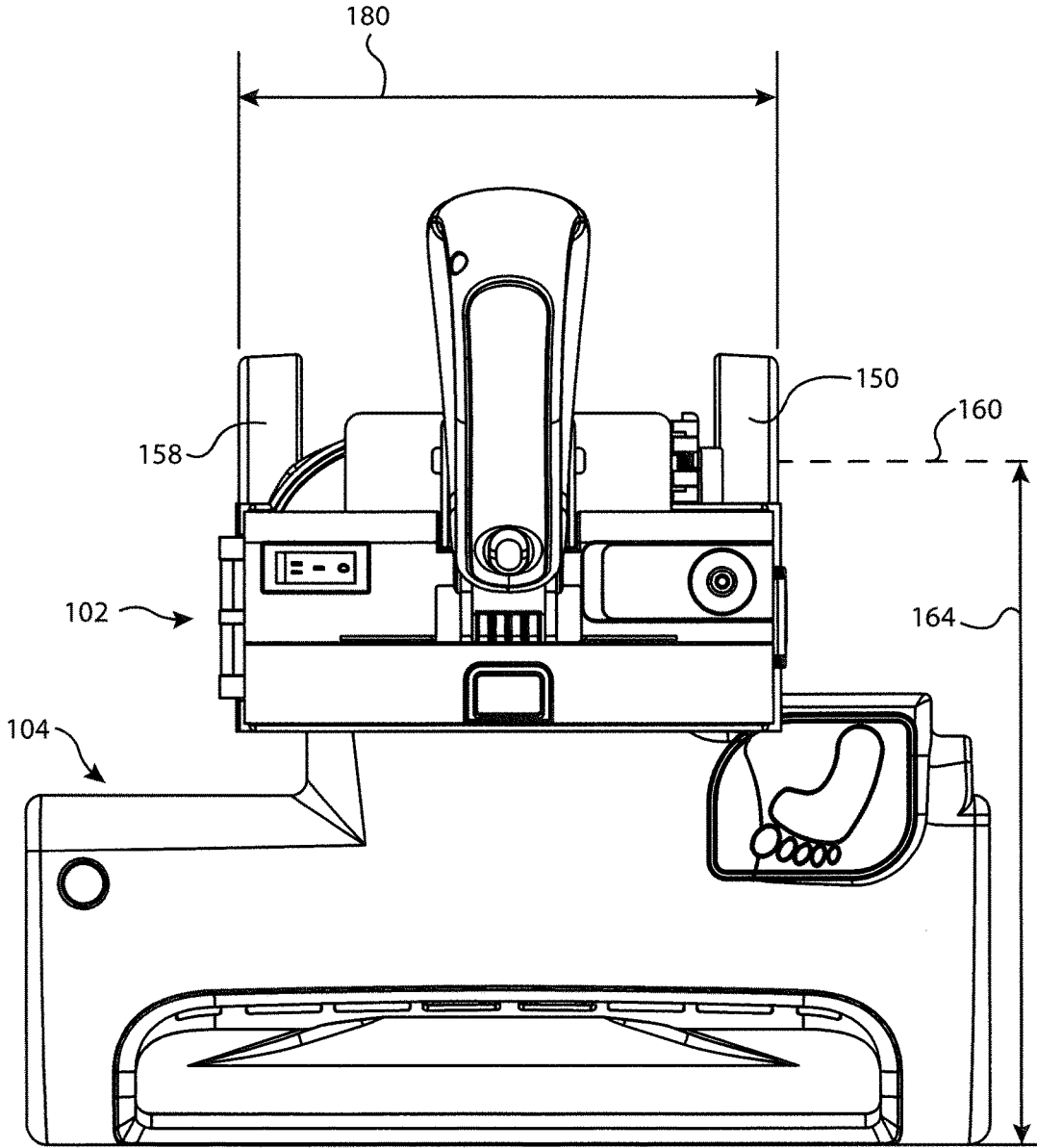


FIG. 60

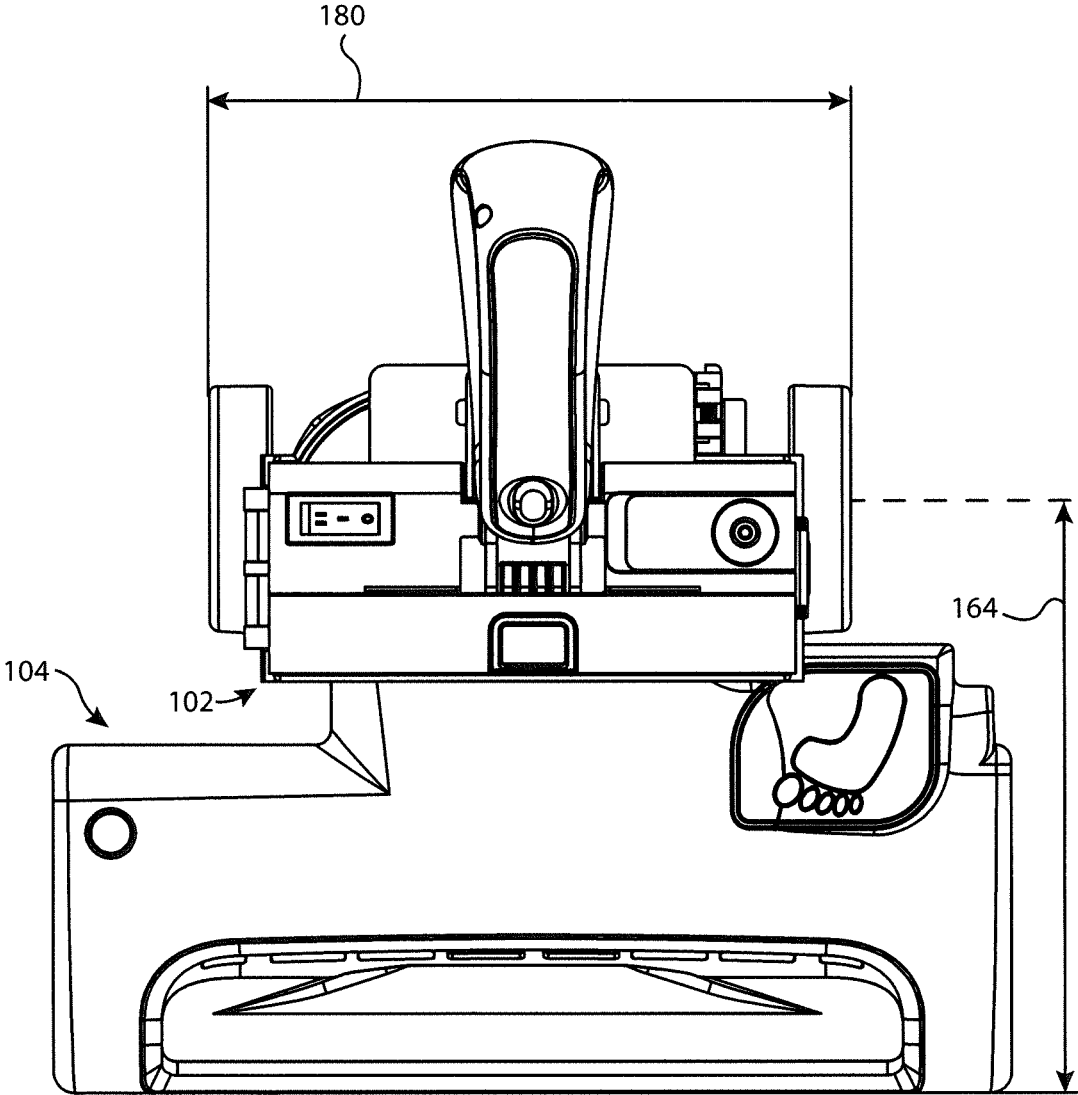
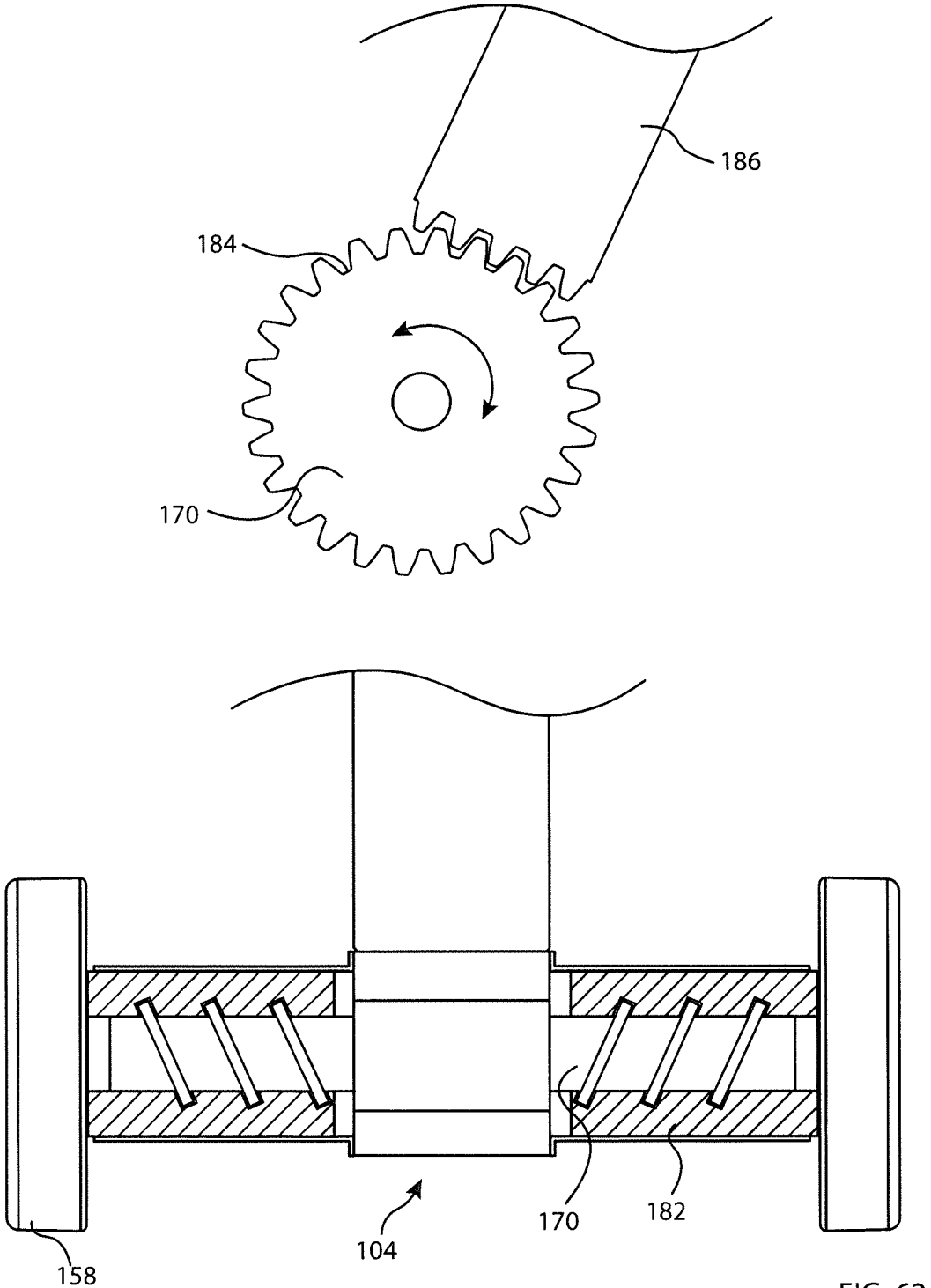


FIG. 61





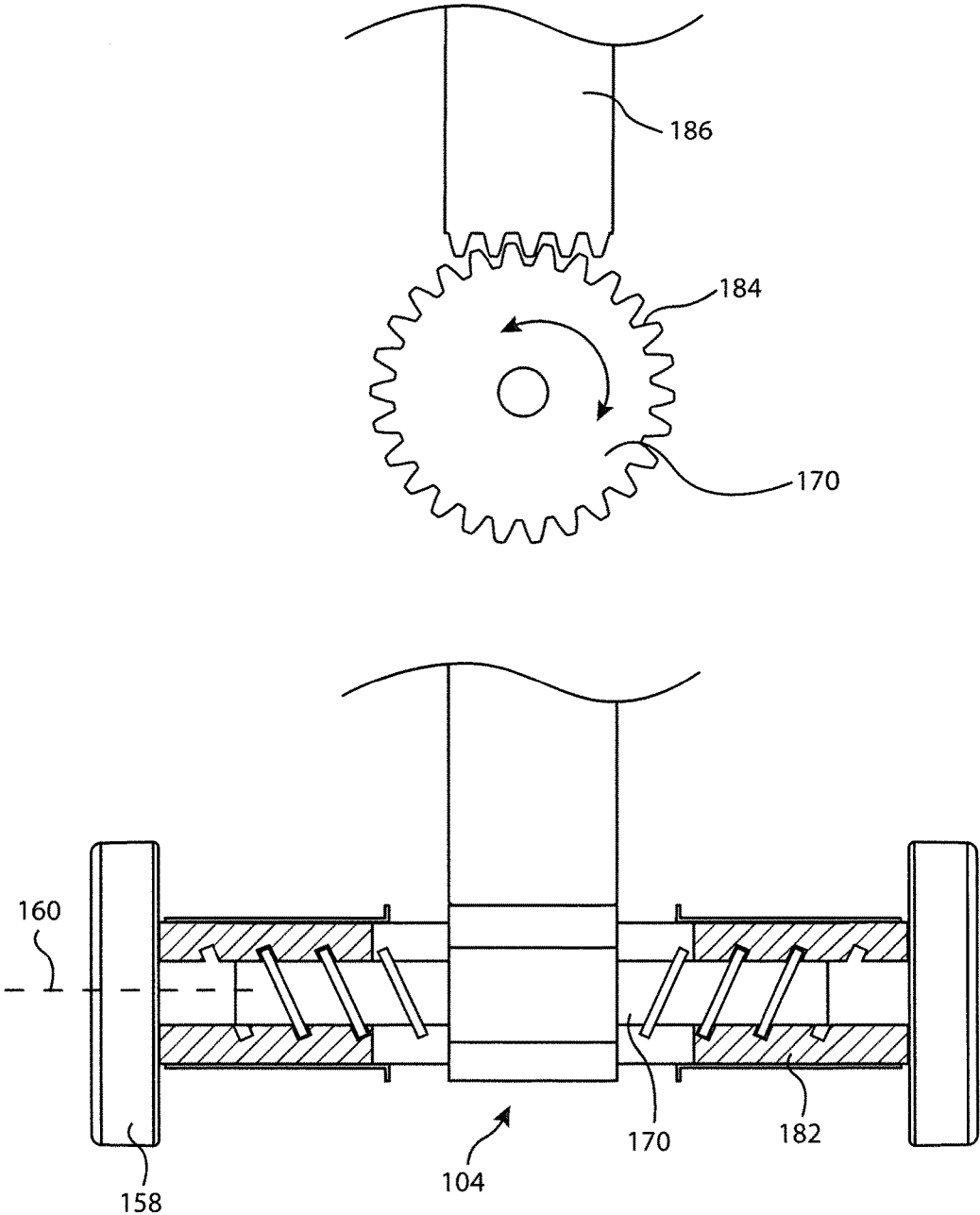


FIG. 63

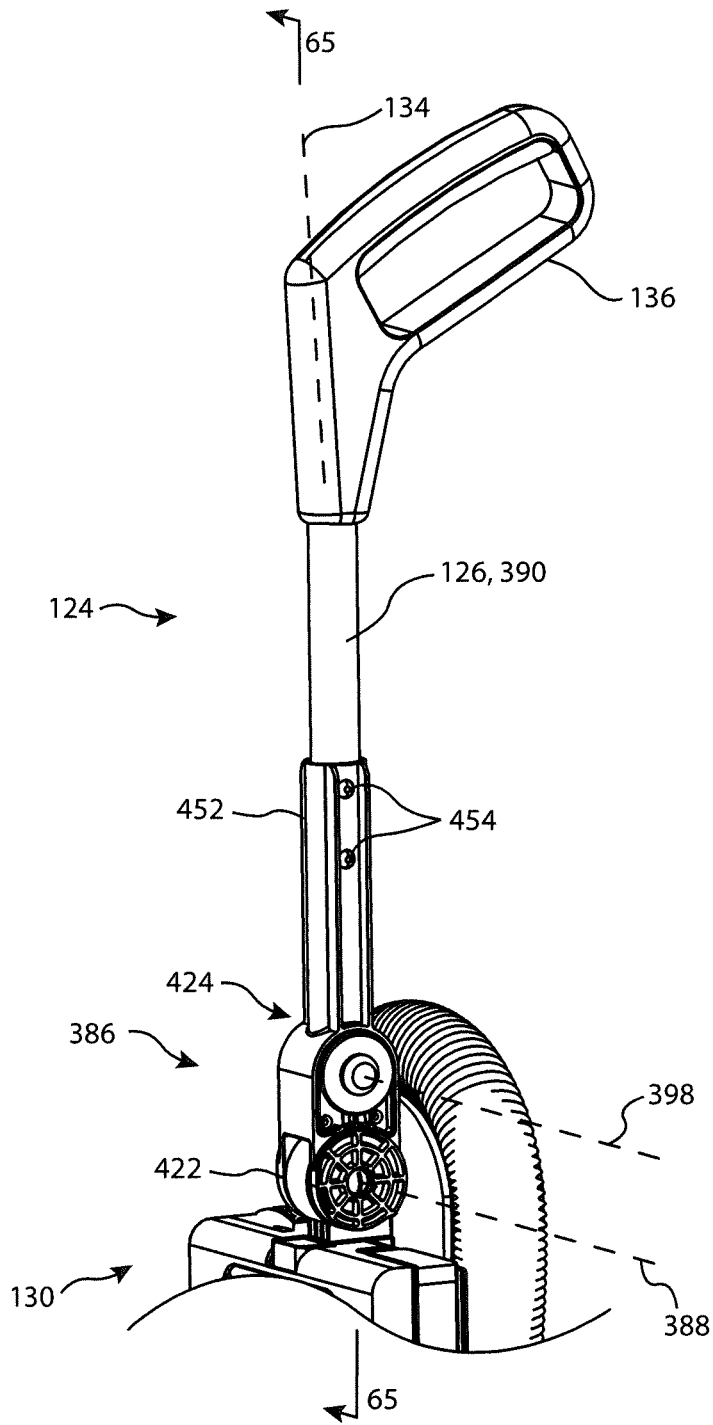


FIG. 64

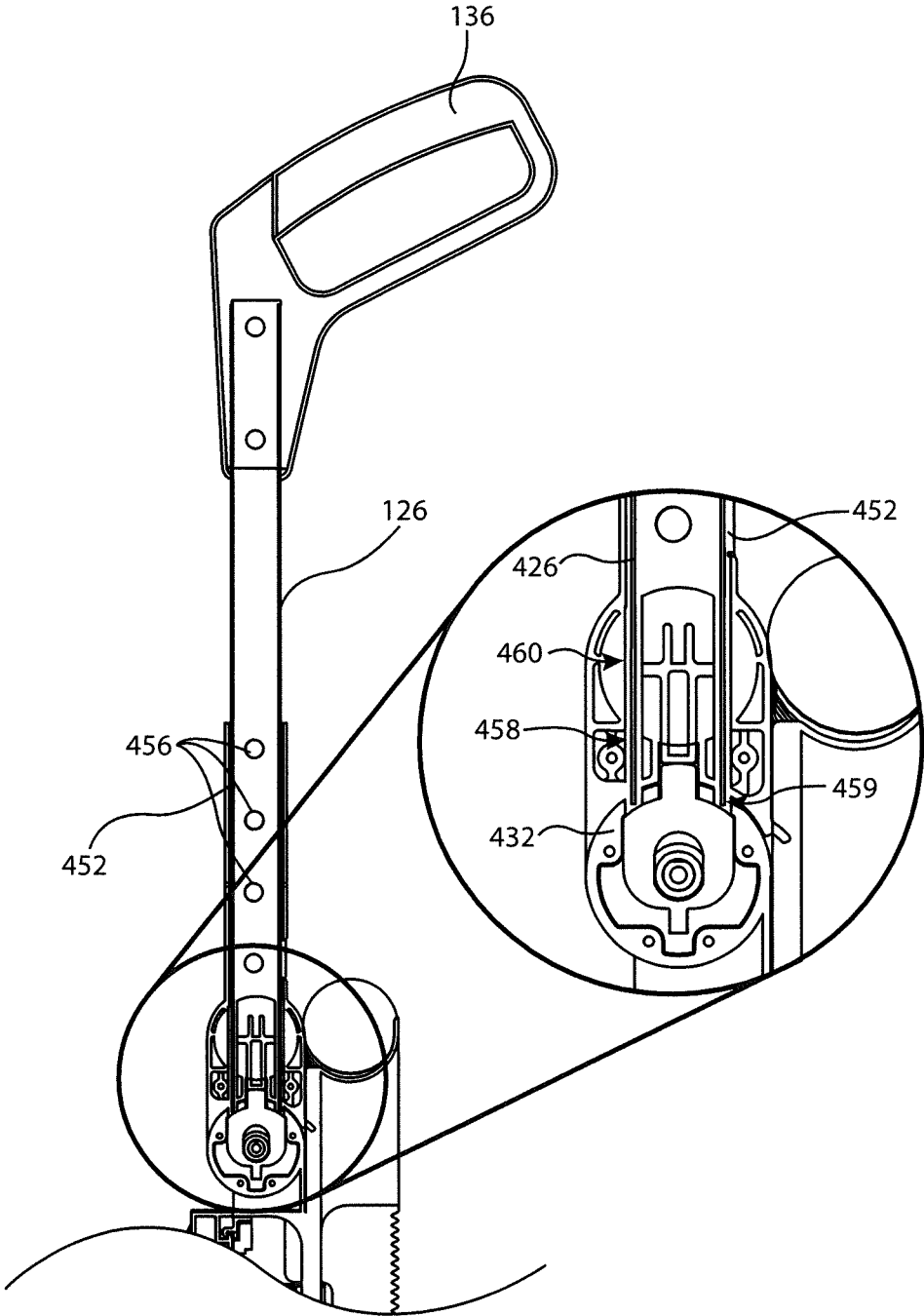


FIG. 65

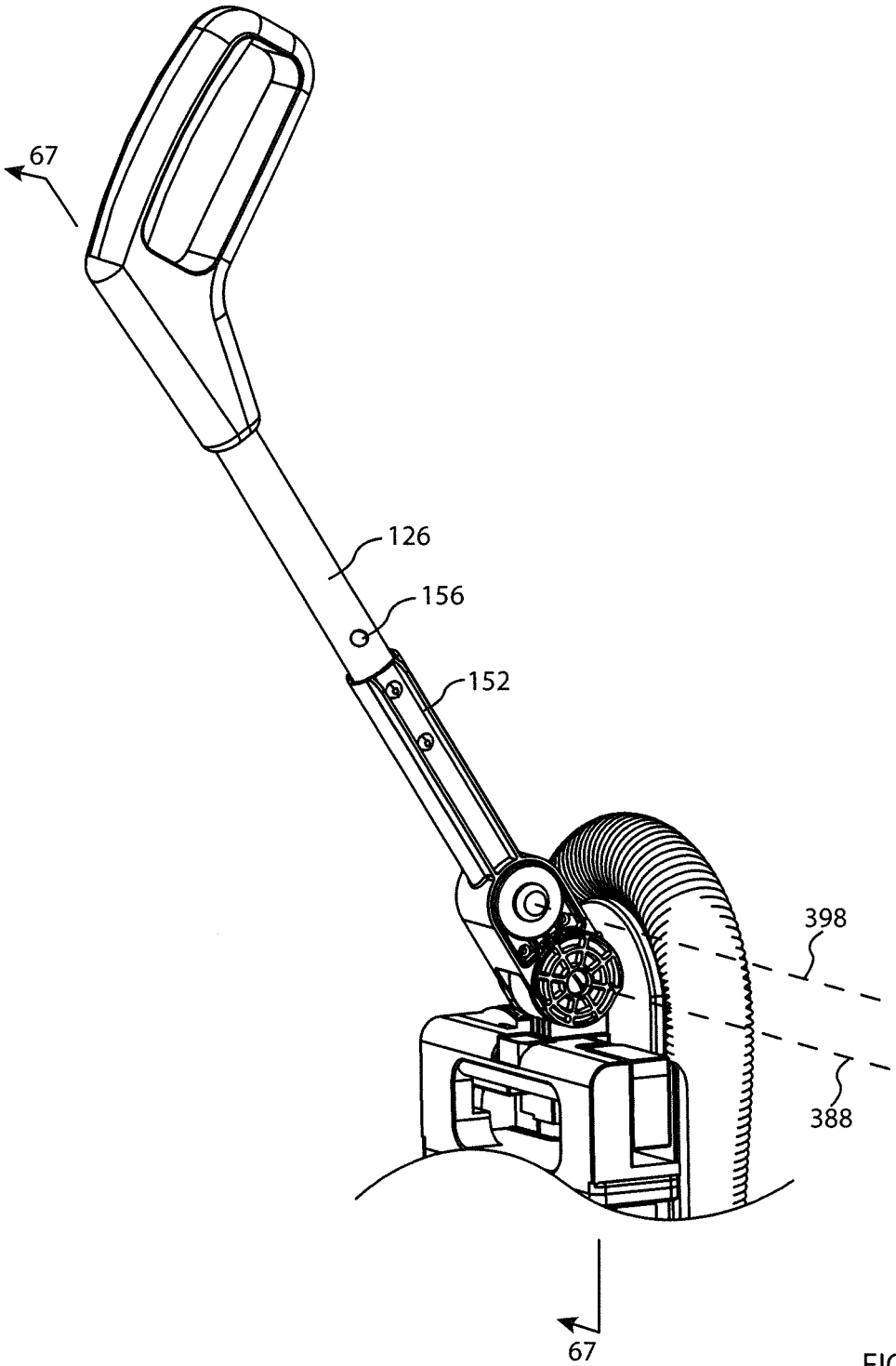


FIG. 66

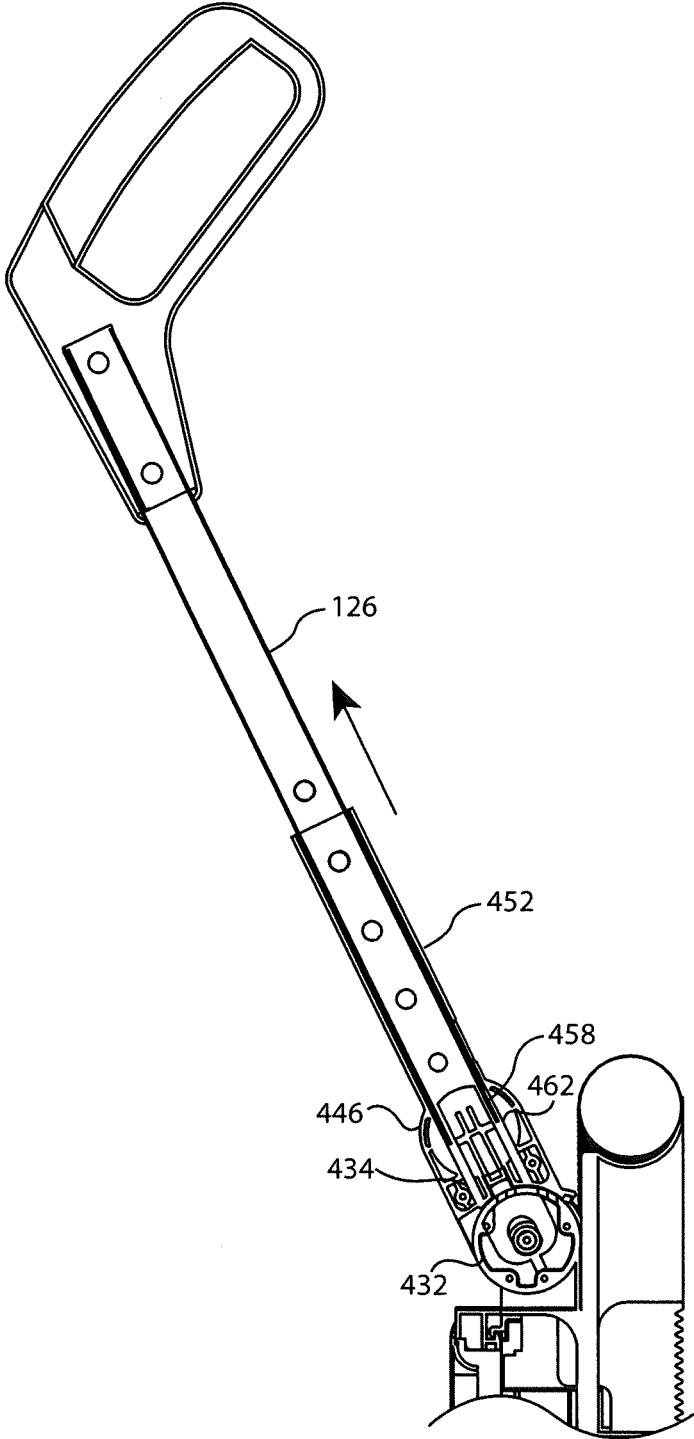


FIG. 67

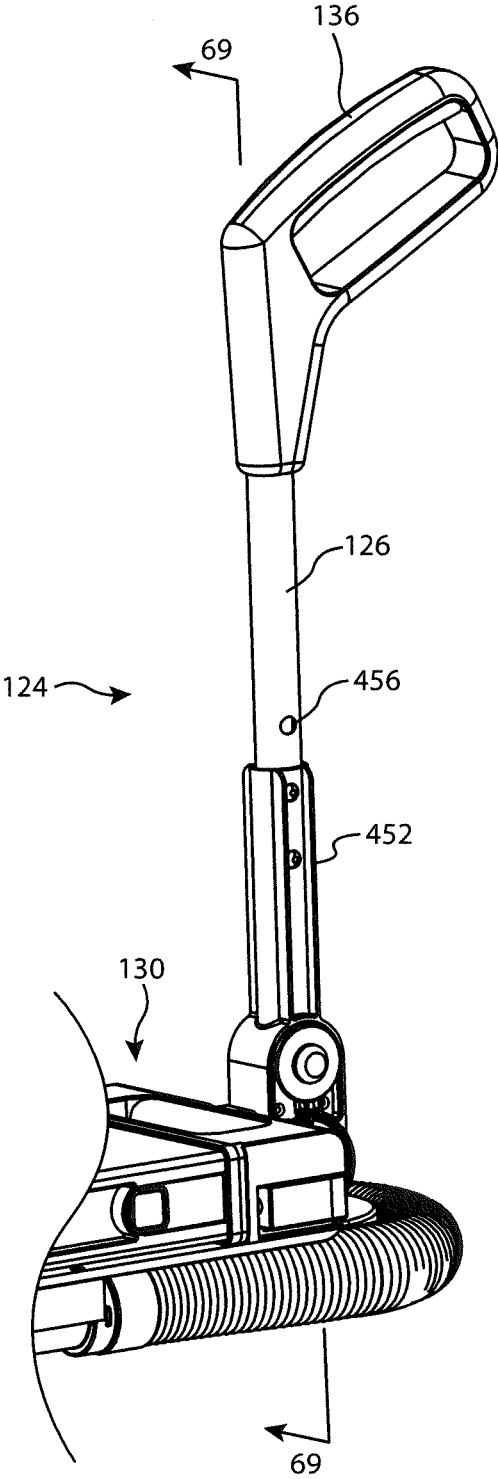


FIG. 68

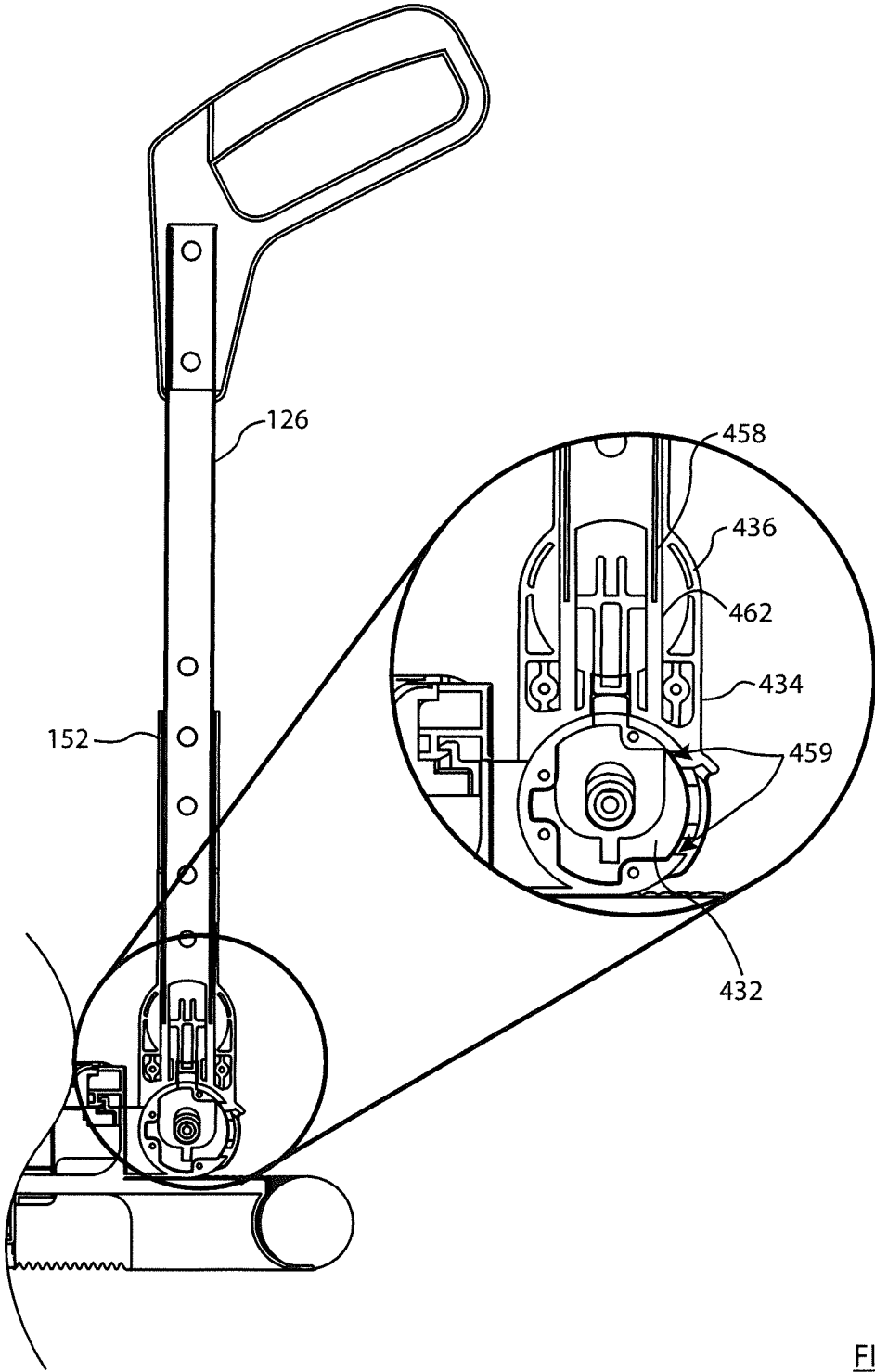


FIG. 69

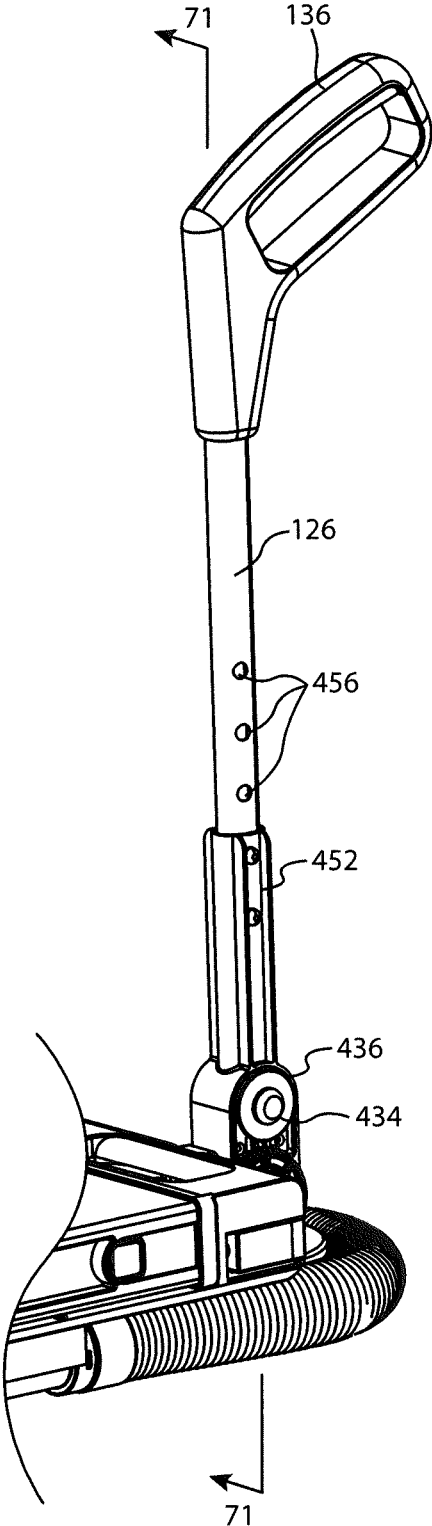


FIG. 70



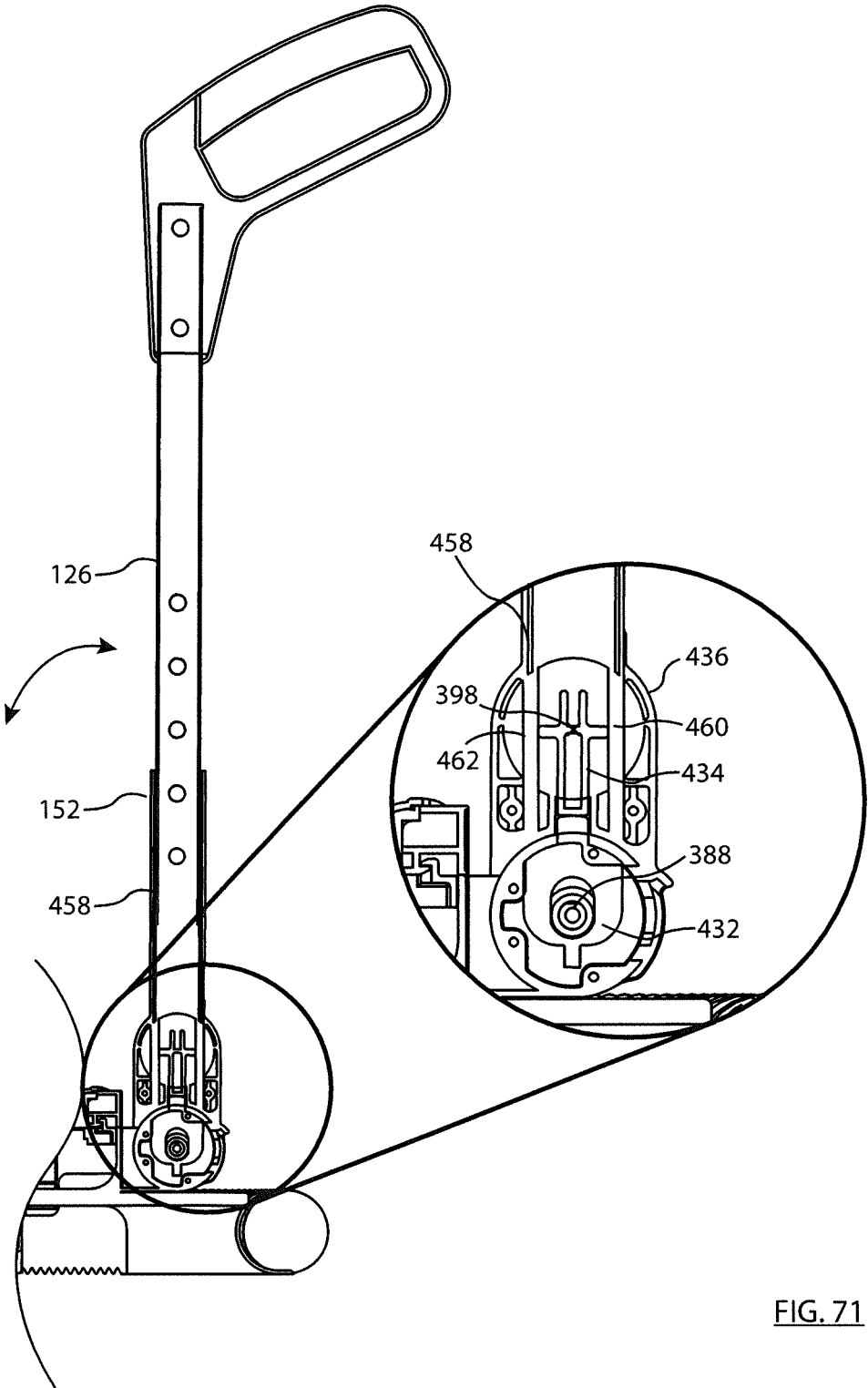


FIG. 71

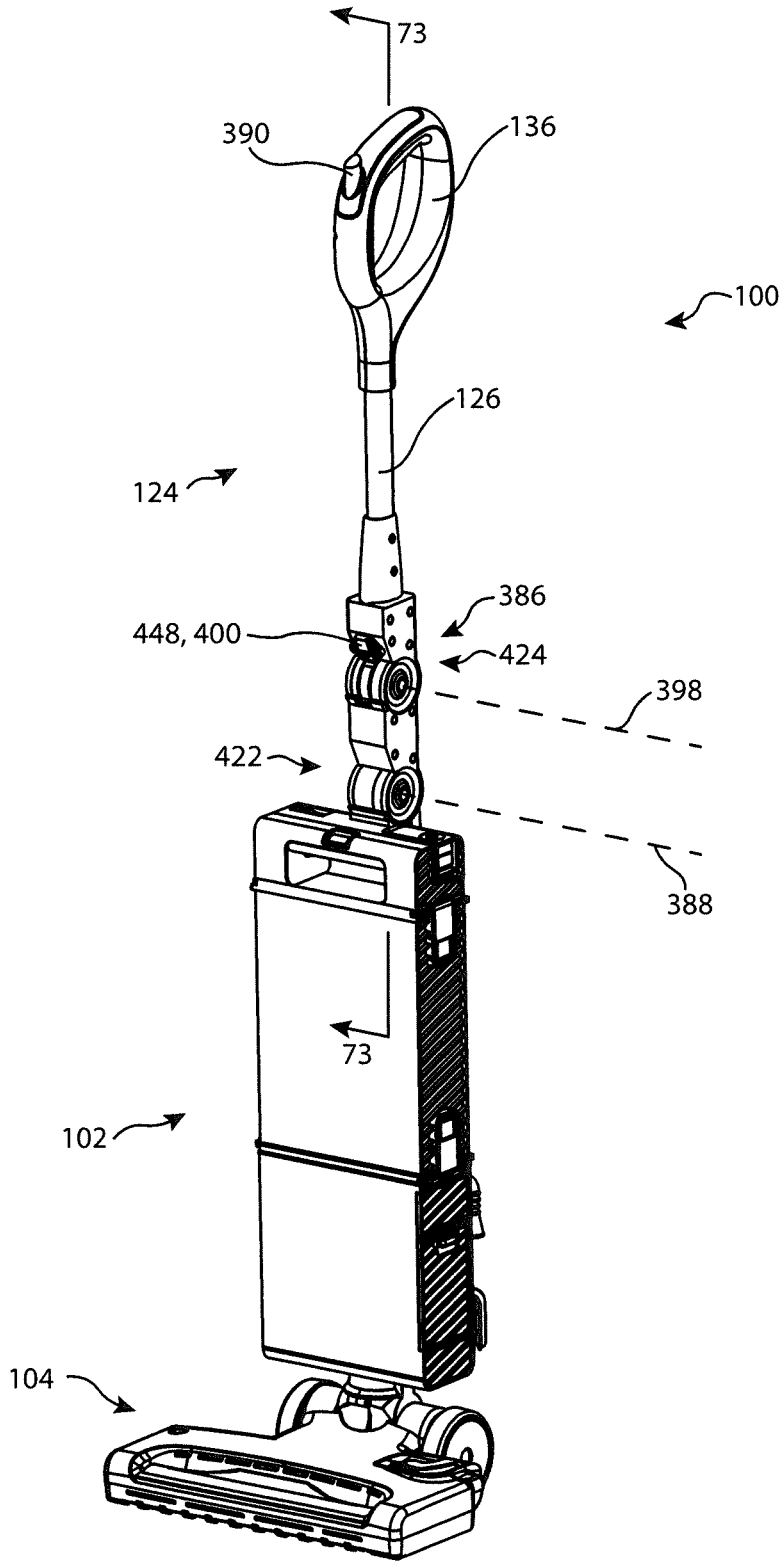


FIG. 72

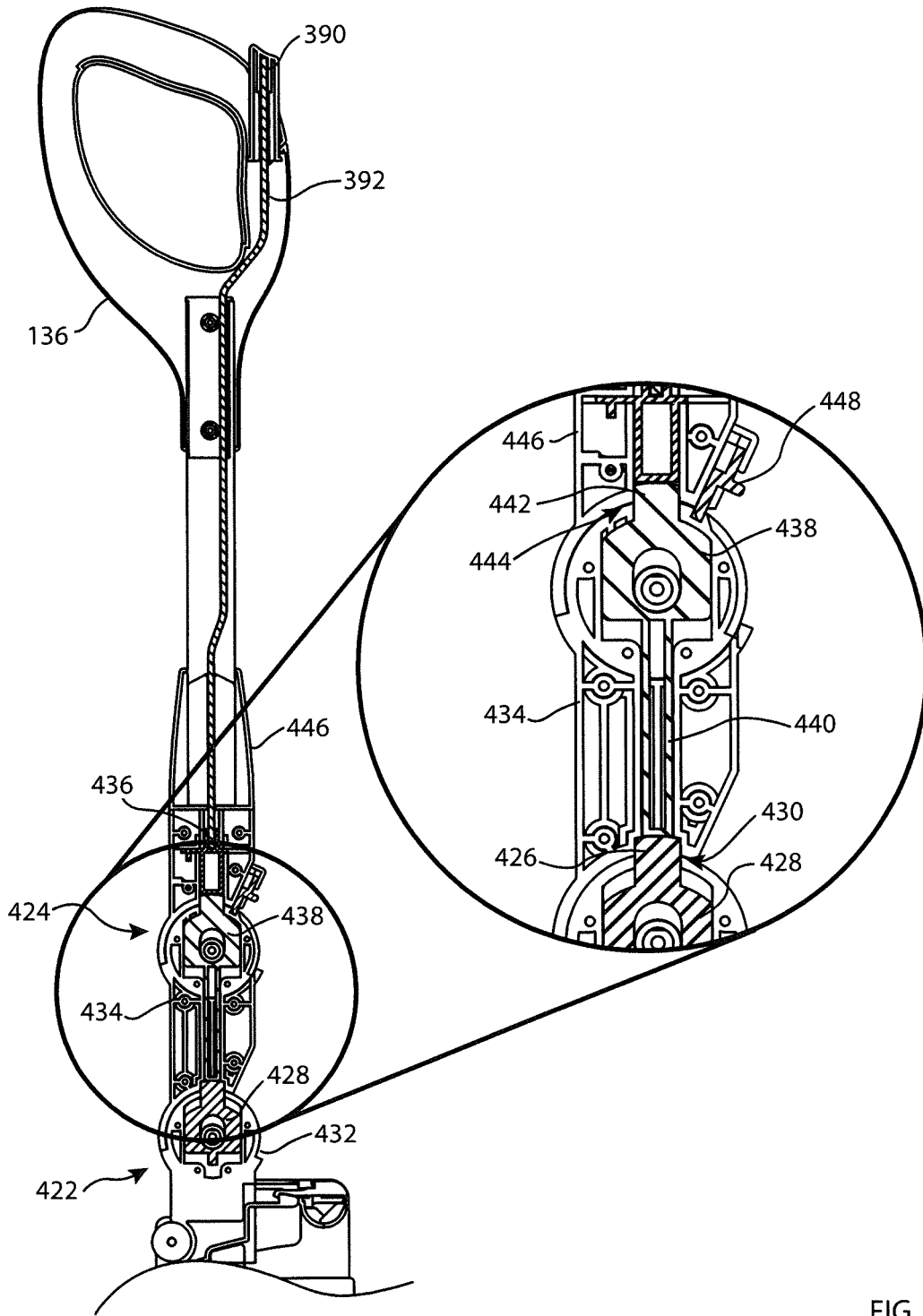


FIG. 73

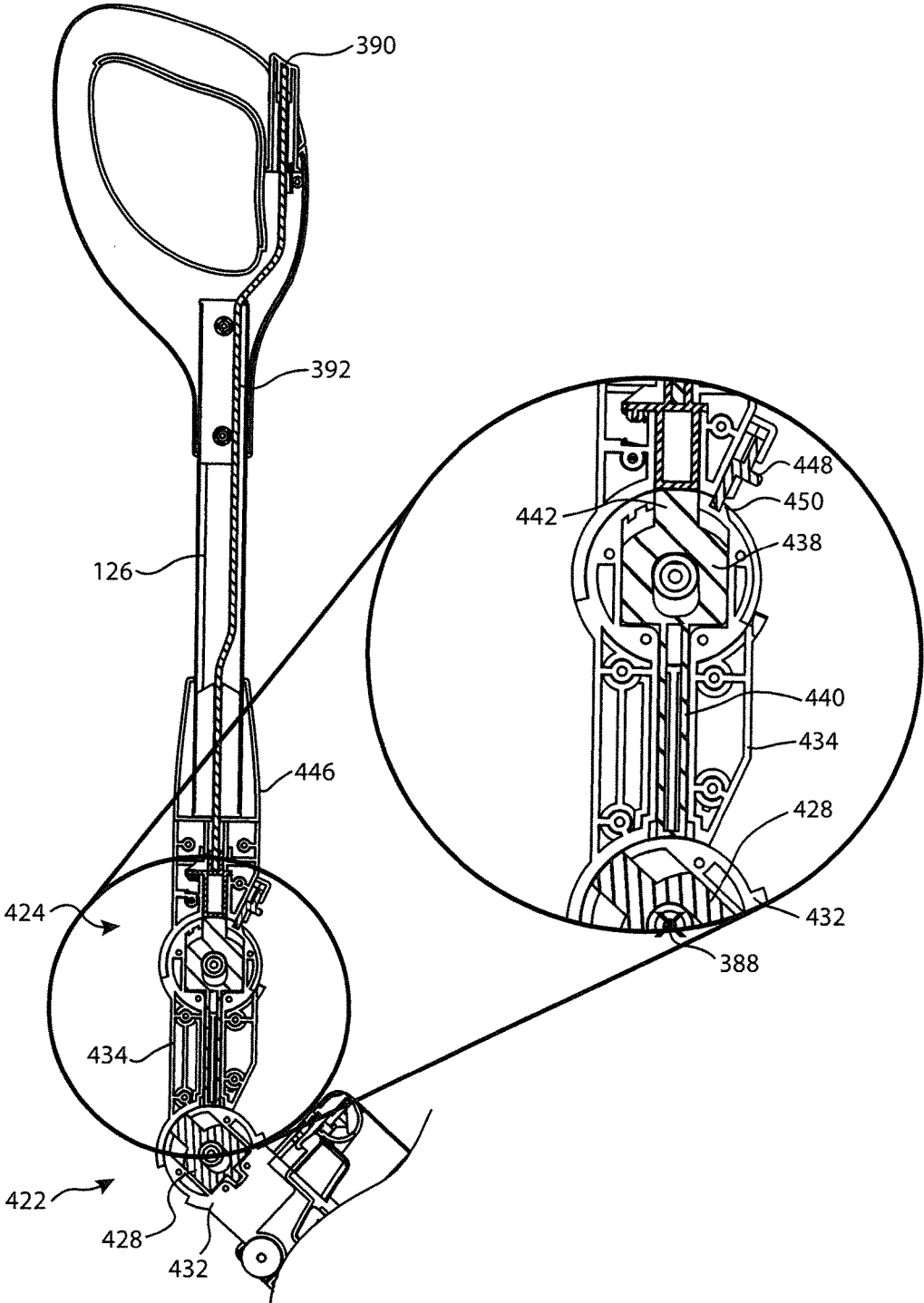


FIG. 74

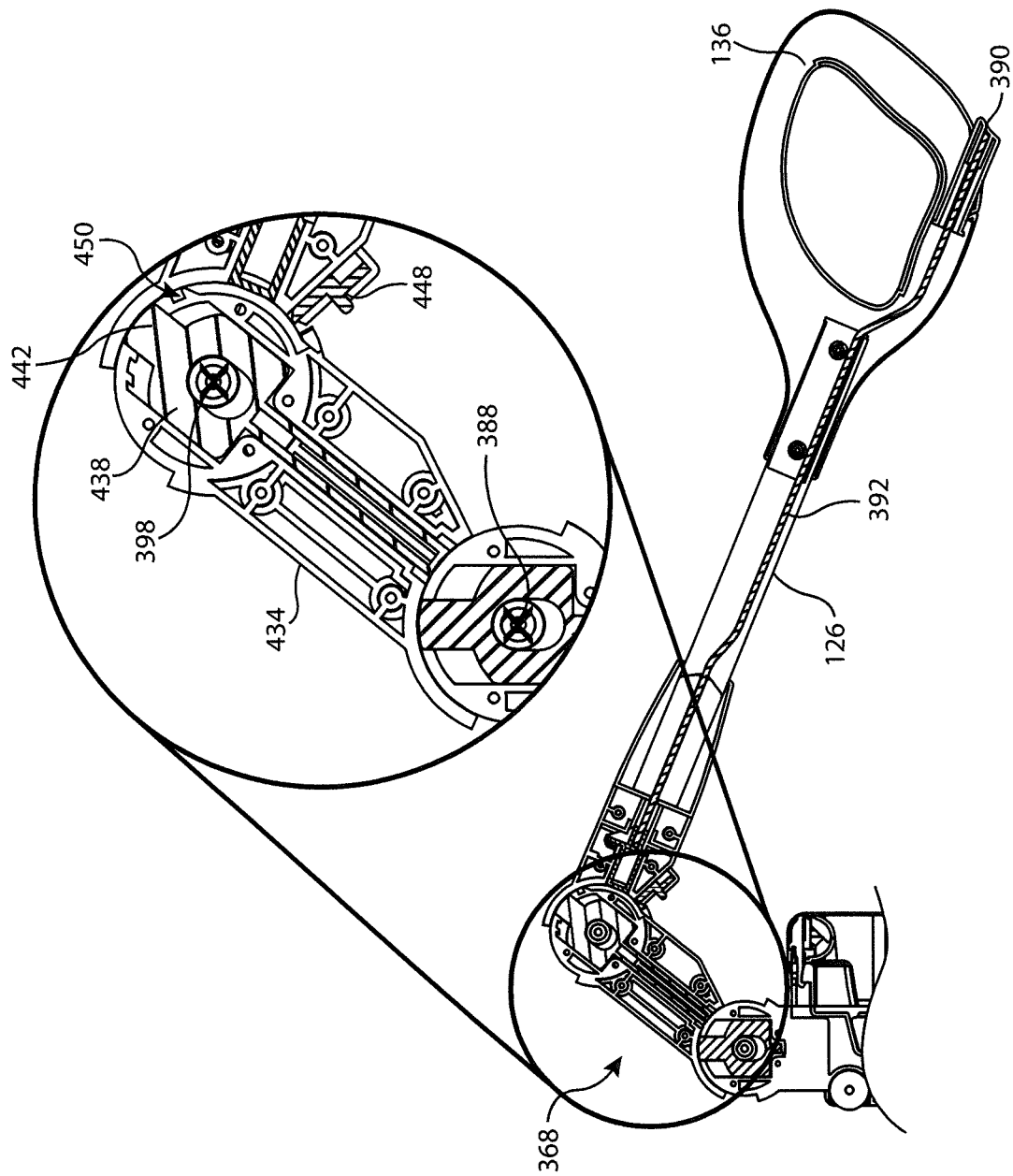


FIG. 75

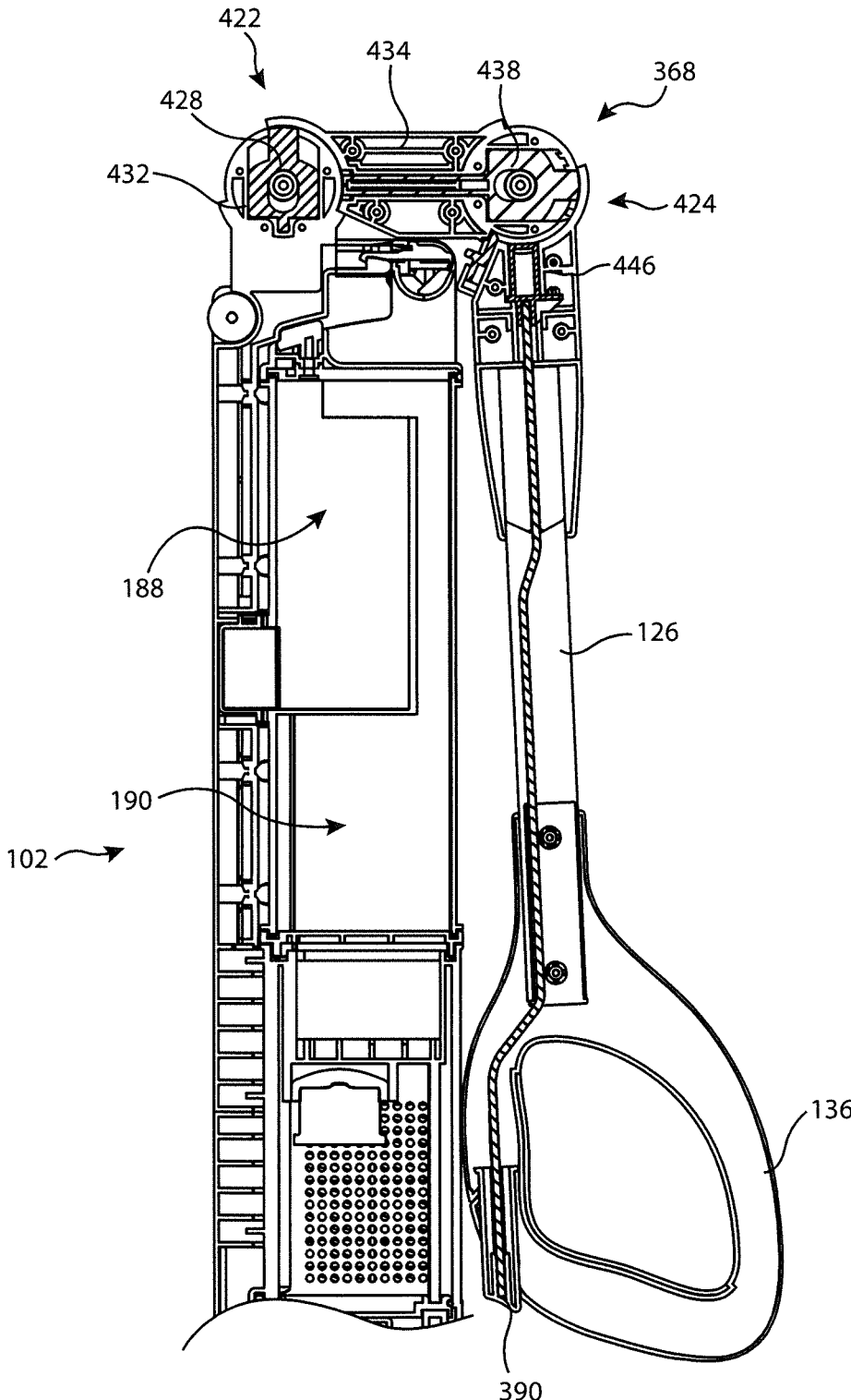


FIG. 76

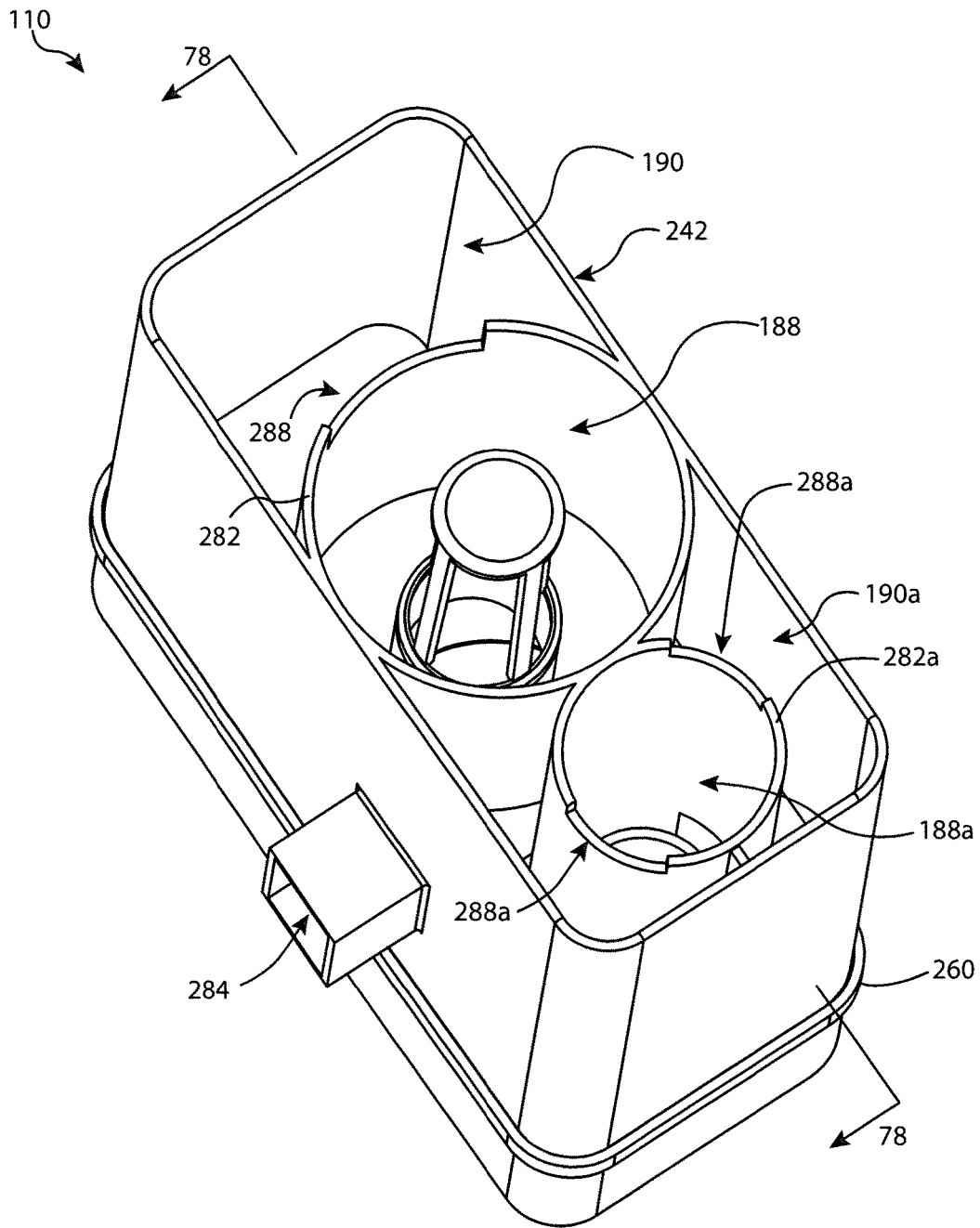


FIG. 77

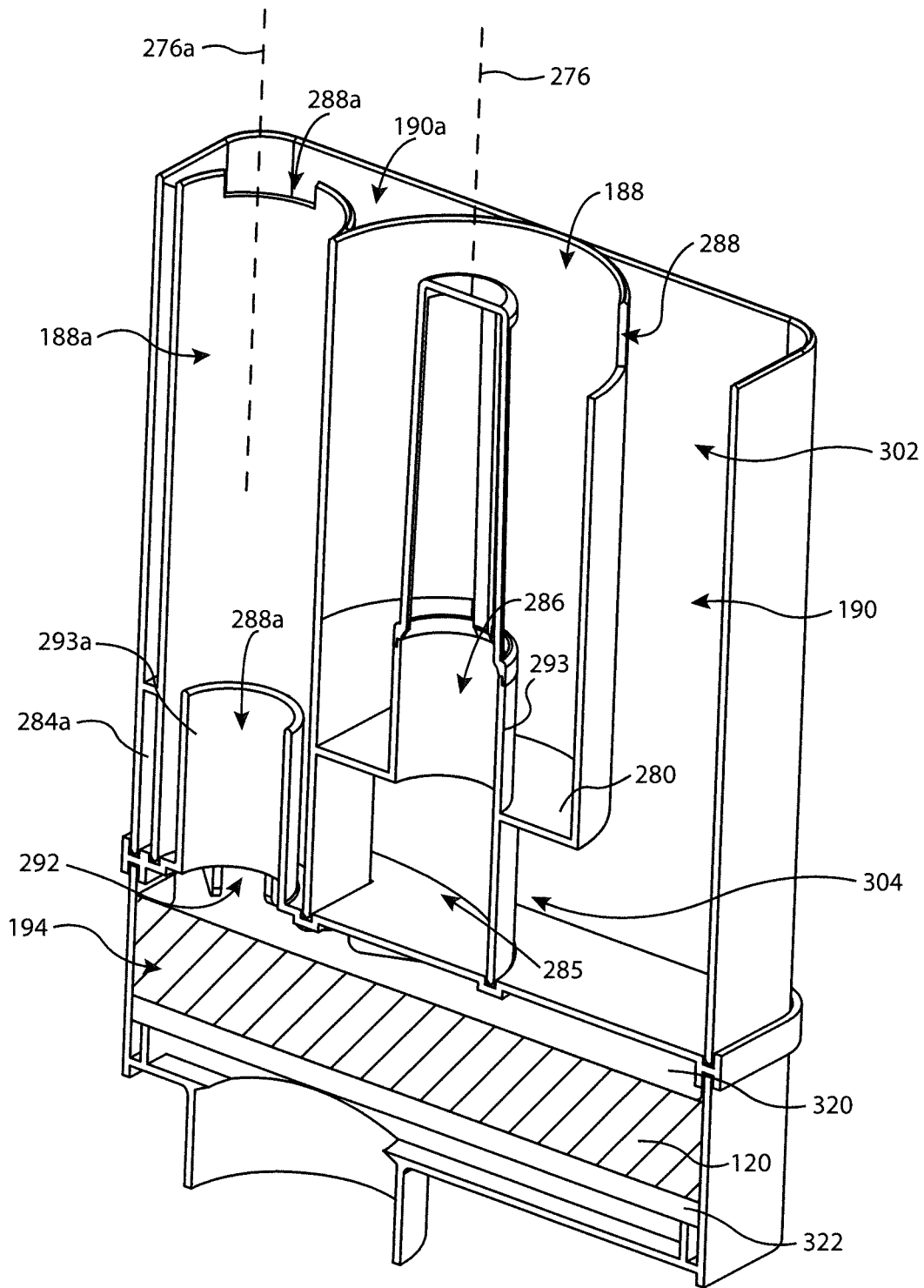


FIG. 78



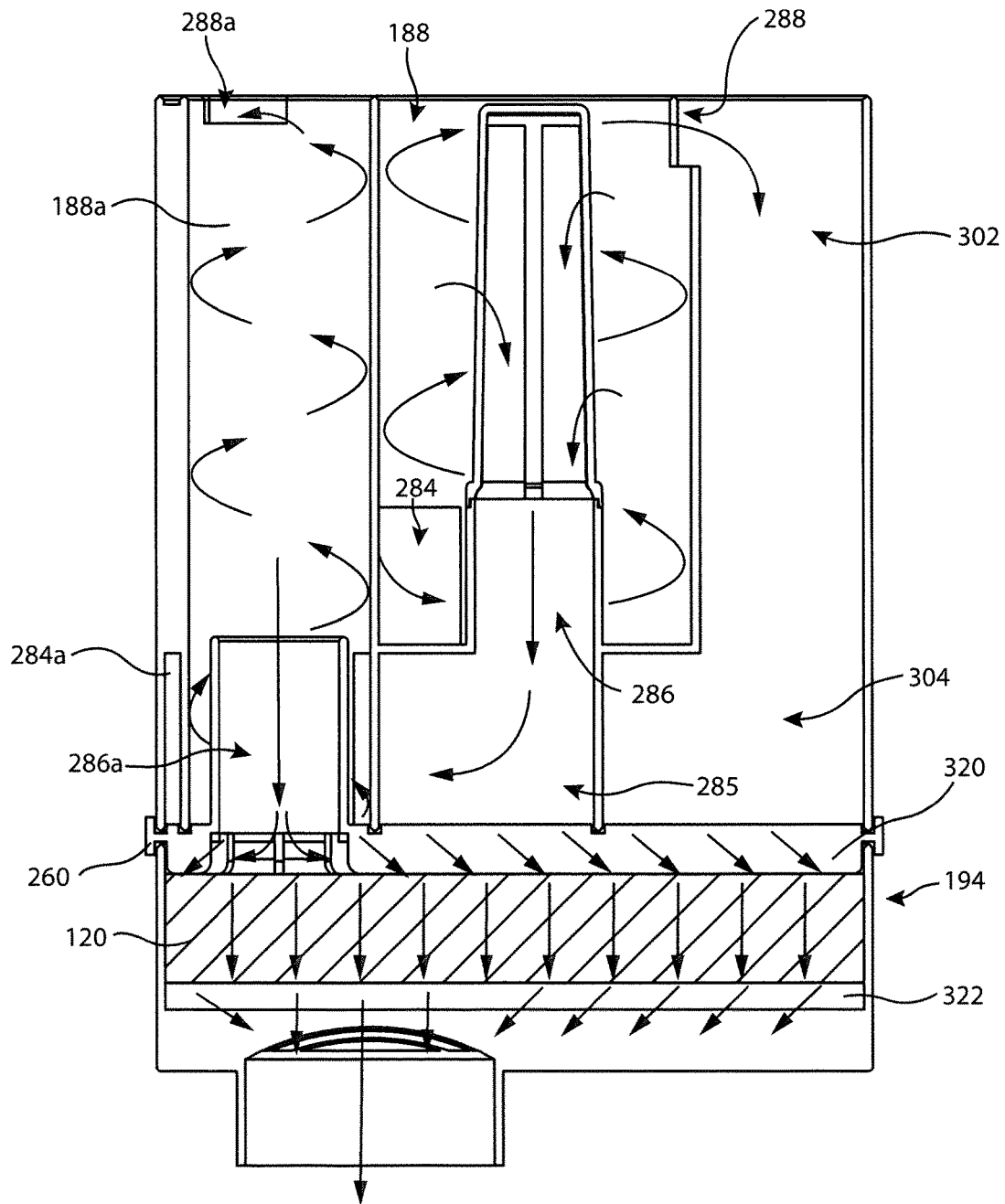


FIG. 79

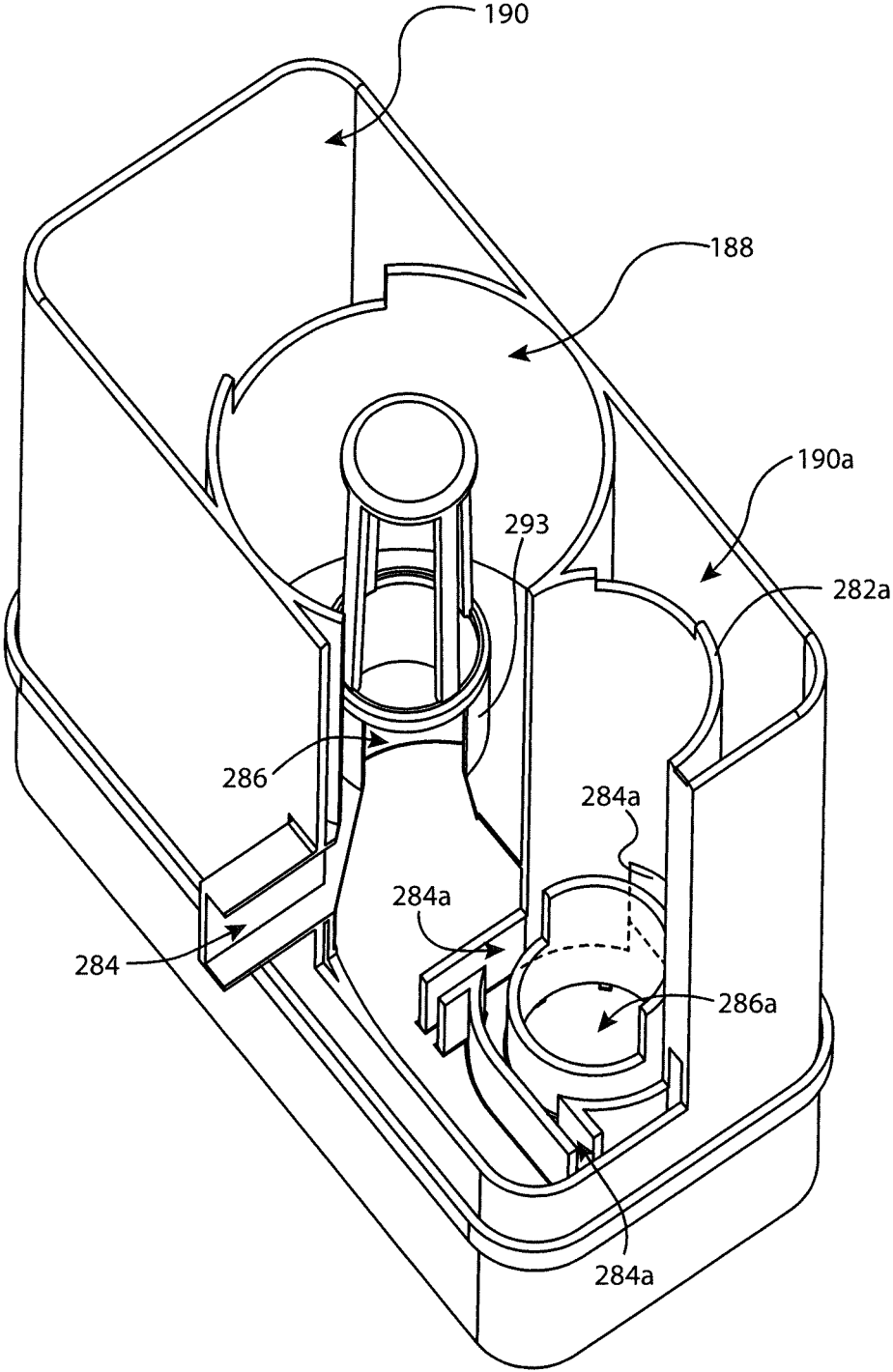


FIG. 80

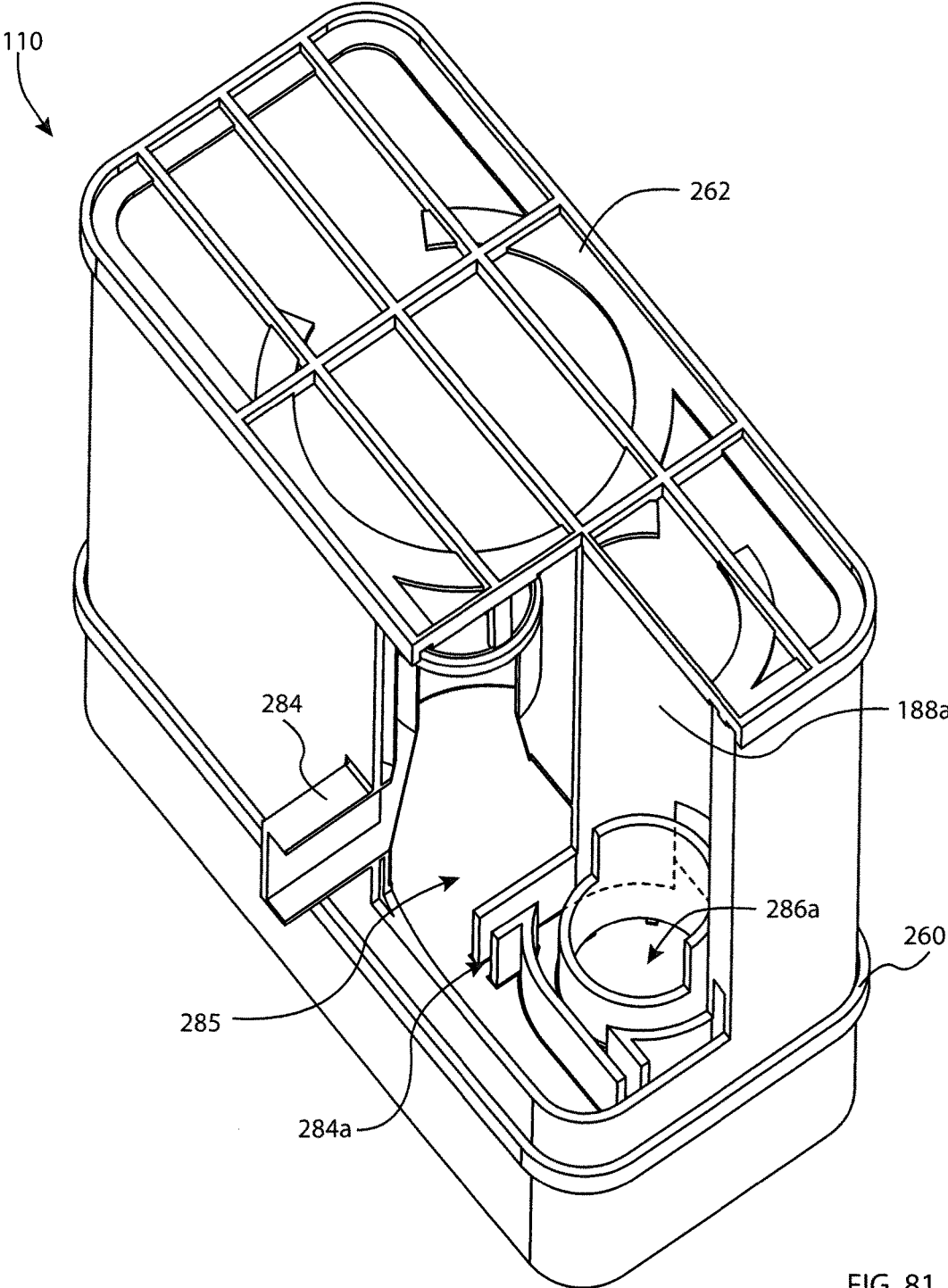


FIG. 81

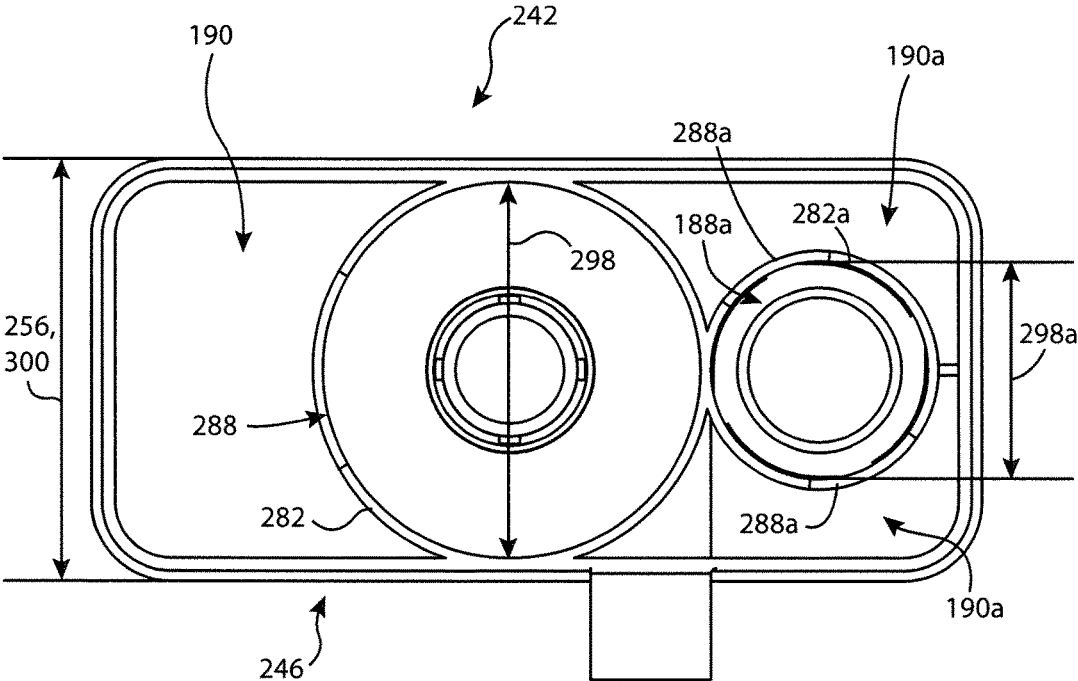


FIG. 82

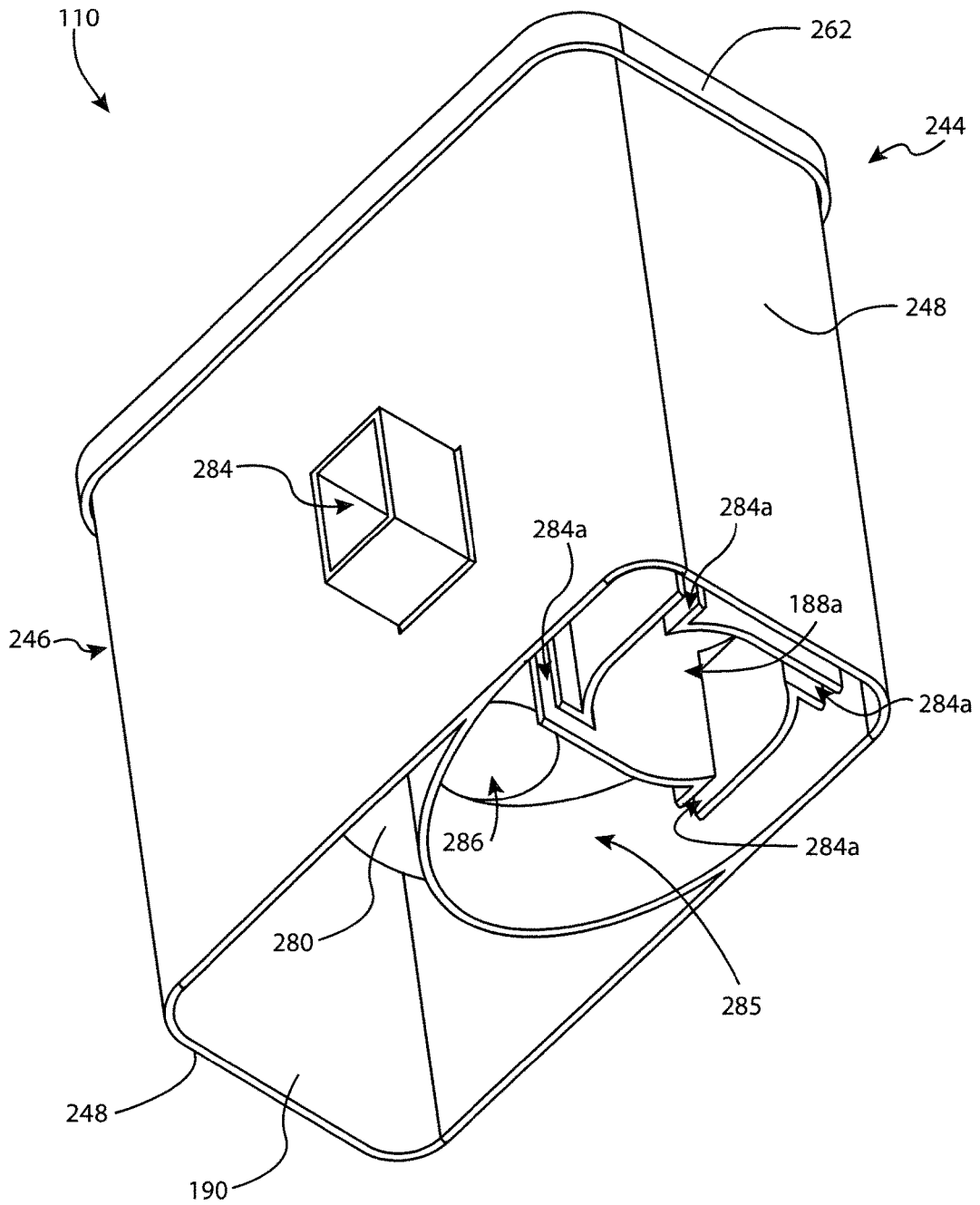


FIG. 83

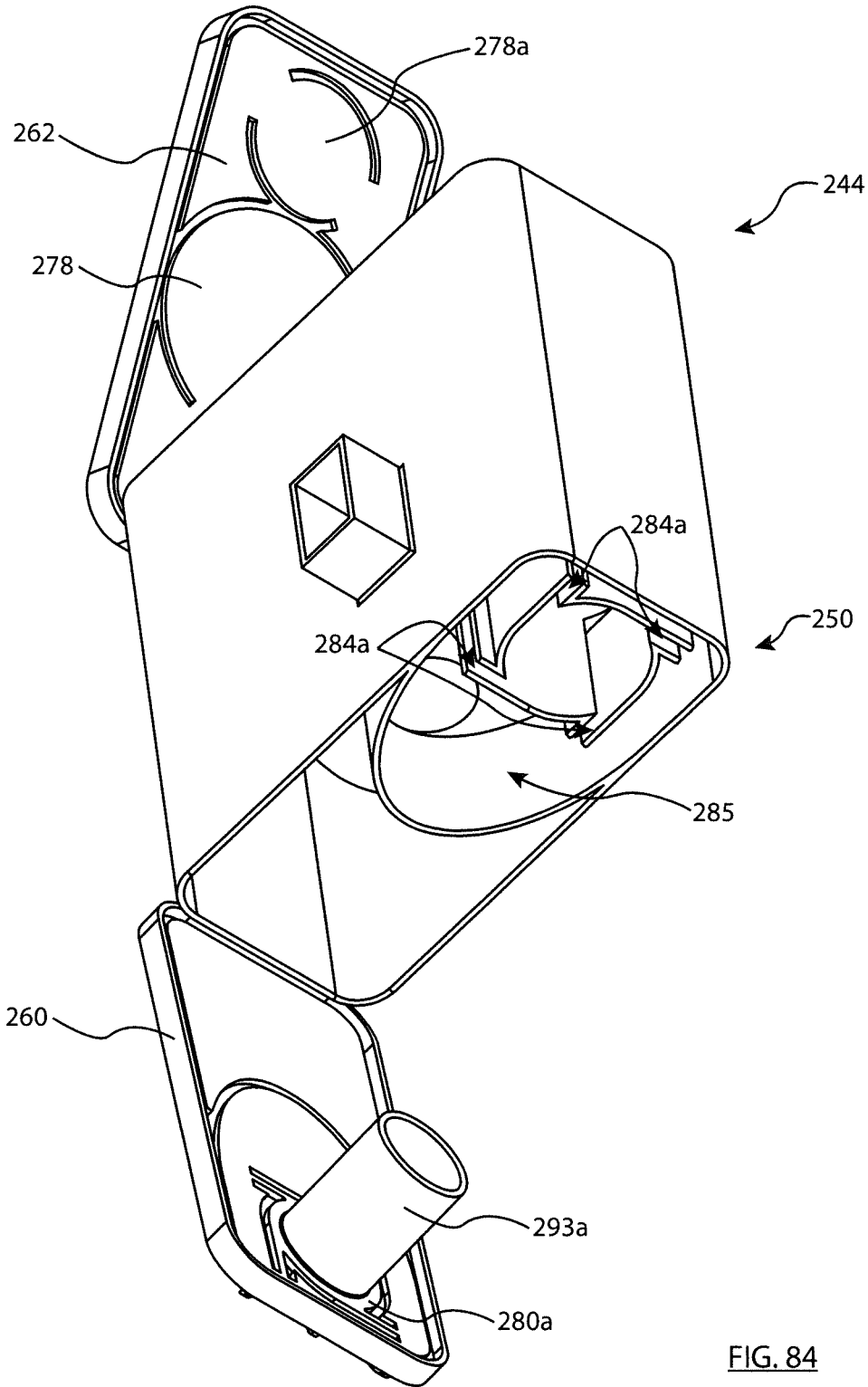


FIG. 84

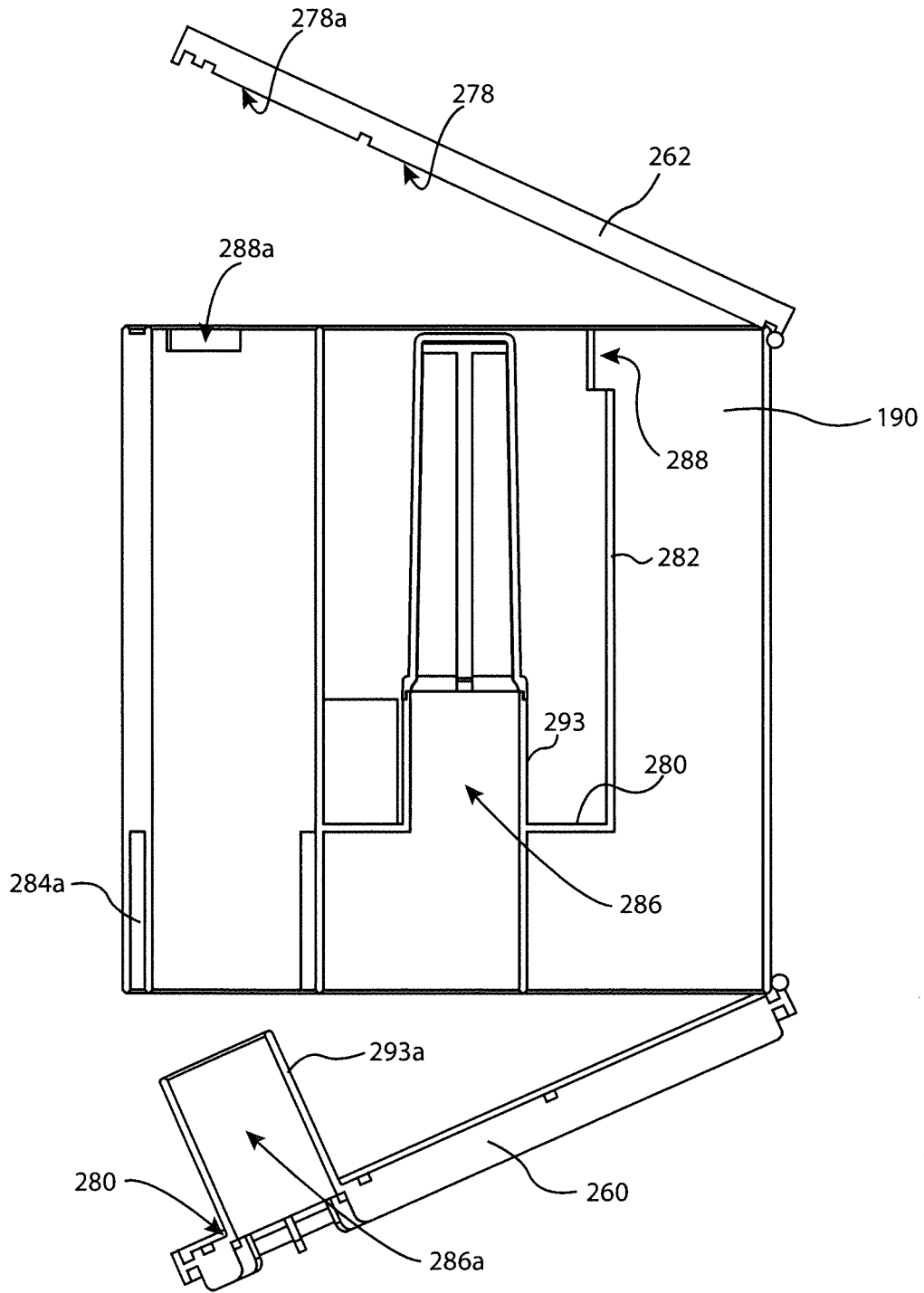


FIG. 85

## SURFACE CLEANING APPARATUS

## FIELD

The subject matter of the teachings described herein relates generally to surface cleaning apparatuses. In one embodiment, the apparatus is an upright surface cleaning apparatus and is optionally operable in a floor cleaning mode and an above floor cleaning mode.

## BACKGROUND OF THE INVENTION

The following is not an admission that anything discussed below is part of the prior art or part of the common general knowledge of a person skilled in the art.

Various types of surface cleaning apparatus are known including upright vacuum cleaners and extractors. Typically, an upright vacuum cleaner includes an upper section, including an air treatment member such as one or more cyclones and/or filters, drivingly mounted to a surface cleaning head. An up flow conduit is typically provided between the surface cleaning head and the upper section. In some such vacuum cleaners, a spine, casing or backbone extends between the surface cleaning head and the upper section for supporting the air treatment member. The suction motor may be provided in the upper section.

U.S. Pat. No. 7,188,388 (Best) discloses a multi-use vacuum cleaner with a detachable cyclonic vacuum module. The vacuum cleaner may be used as an upright vacuum cleaner when the detachable vacuum module is mounted to the base or the detachable vacuum module may be detached and used by itself. The detachable vacuum module includes a vacuum motor, a motor driven fan, a cyclonic dirt separator and a hose.

US patent publication No. US 2015/0096143 (Conrad) discloses an upright vacuum cleaner with a removable hand vacuum cleaner. The upright vacuum cleaner may be used in different cleaning modes including use as an upright vacuum cleaner when the hand vacuum cleaner is mounted to the handle.

## BRIEF SUMMARY OF THE INVENTION

This summary is intended to introduce the reader to the more detailed description that follows and not to limit or define any claimed or as yet unclaimed invention. One or more inventions may reside in any combination or sub-combination of the elements or process steps disclosed in any part of this document including its claims and figures.

A surface cleaning apparatus, such as an upright surface vacuum cleaner, may be used to clean floors and other surfaces. When in use, it sometimes desirable to clean beneath furniture and other objects that are resting on the floor, such as beds, couches, tables and the like. Often, the space beneath the furniture (i.e. the distance between the floor and the lower surface of furniture) can be relatively narrow, and may be about 6-8 inches in some instances. Configuring a vacuum cleaner to help clean underneath such furniture, preferably using its primary surface cleaning head, may help users clean hard to access areas.

Optionally, a vacuum cleaner can be configured so that its surface cleaning head can fit underneath furniture, and can have a height that is less than the height beneath the furniture. Using such a configuration may allow the vacuum cleaner to extend under furniture up to the depth (front to back) of the surface cleaning head. However, the upper section will limit the extent to which the surface cleaning

head can extend under furniture. For example, in Best, the surface cleaning head is not operable when the detachable cyclonic vacuum module has been removed from the upright section. Therefore, when the vacuum cleaner is used to clean under furniture, the extent to which the cleaning head may pass under furniture is limited by the height of the surface cleaning head (from the floor to the upper end of the surface cleaning head) and the depth (front to back) of the upright section.

In Conrad, in one mode, the hand vacuum cleaner may be removed from the handle but may remain in air flow communication with the surface cleaning head via a flexible hose. In this mode, the depth of the upright section (front to back) is reduced since the hand vacuum cleaner has been removed. Therefore, the extent to which the depth of the upright section inhibits cleaning under furniture is reduced. However, this design requires a user to remove and carry the hand vacuum cleaner

In accordance with this disclosure, an upright surface cleaning apparatus, such as an upright vacuum cleaner, is configured so that the surface cleaning head and at least a portion, and optionally all, of the upright section of the vacuum cleaner is sized to fit beneath furniture having a lower surface positioned close to the floor, such as a bed or a couch. Preferably, the portion of the upright section that can fit underneath the furniture includes a cleaning unit provided on the upper section, which itself may include an air treatment member assembly and suction motor. Configuring the cleaning unit to fit beneath furniture while mounted to the upright section, and making it moveable into a suitable orientation/alignment so as to be moved beneath the furniture, allows part if not all of the upright section to be positioned beneath furniture such that the surface cleaning head may clean the entire floor that underlies furniture. Accordingly, a user may be able to extend a sufficient portion of the upright section of the vacuum cleaner beneath a couch such that the entire area under the couch can be cleaned without requiring the couch to be moved, or the use of secondary cleaning tools like wands and/or crevice tools.

When the upright section is rotated rearwardly into an orientation suitable for low profile cleaning (i.e. beneath furniture), the upright section with the air treatment member may extend substantially horizontally from the surface cleaning head (i.e., the upright section may have been rotated rearwardly about 90°). Therefore, if the upright section has a small depth in the forward/backward direction, then the upright section will have a relatively short height in the upward direction when oriented for low profile cleaning. In accordance with one aspect of this disclosure, the depth in the forward/backward direction is generally reduced and the width of the upright section in the left/right, lateral direction may be adjusted so as to be greater than the depth so as to provide a vacuum cleaner which has good dirt separation efficiency and suitable dirt storage capacity for use to clean a house. Optionally, the cleaning unit may have a generally rectangular, slab like configuration, such that it has a generally rectangular shape in a top plan view.

To help reduce the depth of the upright section, components of the upright section of the surface cleaning apparatus may be at least partially, and optionally entirely, overlapped with each other. For example, portions of the air flow path may be positioned behind and/or beside portions of the air treatment member assembly. The suction motor may be positioned below, and may underlie at least portions of the air treatment member assembly (including for example, a cyclone chamber and/or a dirt collection chamber). Configuring the components vertically in this manner may help



reduce the front/back depth of the cleaning unit. Positioning the suction motor below the air treatment member assembly may help lower the centre of gravity of the upright section, which may help maneuverability. Optionally, the air inlet of the suction motor may be substantially aligned with the air outlet of the air treatment member (such as a cyclone chamber), which may help reduce the overall size of the cleaning unit and/or the length and complexity of the air flow path therethrough.

Alternately, or in addition, to help reduce the depth of the upright section/cleaning unit of the surface cleaning apparatus, the amount of material/housings that are provided in front of or behind the operating components (such as the air treatment member assembly and/or the suction motor) may be reduced. For example the cleaning unit (which may comprise one or more air treatment members and the suction motor) may not be provided with a surrounding support structure. Instead, the cleaning unit may itself be rotatably mounted to the surface cleaning head and may have the drive handle attached thereto.

Alternately, or in addition, the upright section may be configured such that the air treatment member assembly forms the front and/or rear face of the cleaning unit, and may extend almost the entire depth of the cleaning unit (and optionally the entire depth), such that the overall depth of the cleaning unit may be the depth of the air treatment member assembly. This may help provide an air treatment member assembly that has an acceptable size and dirt collection volume, while keeping the overall depth in an acceptable range. Similarly, the components may be sized such that the depth of the air treatment member assembly is not substantially greater than the depth (i.e. diameter if vertically oriented) of the suction motor, and vice versa. For example, the depth of the air treatment member assembly may be the same as the diameter of the suction motor  $\pm 2$  inches. This may allow both components to be an acceptable size, while helping to keep the overall depth of the cleaning unit in an acceptable range.

If the dirt collection region in the apparatus is external the air treatment member, e.g. a dirt collection chamber that is external a cyclone chamber, some and preferably all of the dirt collection region may be positioned laterally beside the cyclone chamber. Accordingly, the dirt collection region may not be positioned forward of the forward most part of the air treatment member and/or rearward of the rearward most part of the air treatment member, thereby reducing the depth of the cleaning unit. The dirt collection region can be located on only one side lateral of the air treatment member, or alternatively dirt collection regions (either discrete regions or portions of a common region) may be positioned on both lateral sides of the cyclone chamber. The volume of the portions of the dirt collection region that are laterally beside the cyclone chamber may be more than 50%, 60%, 70%, 80% or 90% of the total volume of the dirt collection region. Optionally, the dirt outlet on the cyclone chamber may be on a lateral side of the cyclone chamber, and be in communication with the laterally positioned dirt collection chamber.

Optionally, portions of the air flow path, including portions of the above floor cleaning assembly may be configured in a non-circular shape, and oriented so that their depth in the forward/rearward direction is less than their length or width. This may help reduce the overall depth of the apparatus while maintaining, and may help nest portions of the air flow path with other portions of the apparatus.

Optionally, the apparatus may include additional filters in the air flow path between a dirty air inlet and a clean air

outlet, including one or more pre-motor filter(s) and post-motor filter(s). The suction motor may be laterally centered in the cleaning unit, and a post-motor filter and clean air outlet may be provide on at least one, and optionally both of the lateral sides of the suction motor. If on both sides, the cleaning unit may include two clean air outlets, each preceded by a respective post-motor filter. Providing the post-motor filters and clean air outlets on the lateral sides of the suction motor, as opposed to forward or rearward of the suction motor, may help reduce the depth of the cleaning unit and upright section. Optionally, providing a post-motor filter below the suction motor as an alternative to the laterally positioned filters, or in addition thereto, may also help provide a desired amount of filtration while helping to control the overall depth.

Preferably, to help move the upright section of the vacuum cleaner beneath an object, at least a portion of the upright section, such as the cleaning unit, may be moveable so as to be oriented into a low profile, generally horizontal position—such that the cleaning unit is substantially parallel to the floor being cleaned. That is, the vacuum cleaner may be configurable in a storage position (where the upright section is generally upright), an upright mode floor cleaning position (where the upright section is inclined rearwardly from the surface cleaning head) and a low profile floor cleaning mode (in which at least the cleaning unit portion of the upright section is parallel or at least substantially parallel to the surface being cleaned). This may help the cleaning unit to be moved beneath the object.

To move the cleaning unit into the low profile cleaning position, the drive handle may be bendable or otherwise reconfigurable. This may allow a user to continue holding the same grip portion in the different modes, and may help reduce the need to lower the grip portion down to the floor by requiring a user to bend over. Instead, the grip portion may remain at a more comfortable position, while allowing the cleaning unit to be oriented horizontally. For example, the handle may include a pivot joint or other suitable mechanism, whereby an upper handle portion may be pivotal relative to the cleaning unit. The pivot joint can preferably be lockable, to help a user secure the handle in one or more of its possible positions.

To help facilitate above floor cleaning, the surface cleaning apparatus may include an above floor cleaning assembly, which may optionally include a flexible hose and a generally rigid cleaning wand. The wand and hose may form part of the air flow path in the floor cleaning modes as well (and be detached for above floor cleaning), or alternatively may not form part of the air flow path in the floor cleaning mode.

In accordance with a first aspect of this disclosure, a surface cleaning apparatus is provided wherein in top plan view, the first and second laterally opposed sides and one of the front side and the rear side of the air treatment member assembly is generally rectangular in top plan view. An advantage of this design is that positioning components of the cleaning unit in this configuration reduces the depth of the cleaning unit. For example, instead of positioning a dirt collection chamber around a cyclone chamber, the dirt collection chamber or chambers may be positioned laterally beside the cyclone chamber and the dirt collections chamber(s) may be square or rectangular in top plan view when the upright section is in the upright position.

In accordance with this aspect, there is provided an upright surface cleaning apparatus having a surface cleaning head with a front end, a rear end, a central longitudinal axis extending between the front and rear ends, first and second laterally opposed sides, a dirty air inlet and a surface

cleaning head air outlet. An upright section may be mounted to the surface cleaning head and may be moveable between a generally upright position and a rearwardly inclined in use position. The upright section may include an air treatment member assembly and a suction motor. The air treatment member assembly may have a longitudinally extending air treatment member assembly axis, first and second laterally opposed sides, a front side and a rear side. The air treatment member assembly may include an air treatment member and a dirt collection region that is positioned laterally from the air treatment member (i.e., lateral being a direction to the right or left side of the surface cleaning apparatus from the perspective of a user standing behind the surface cleaning apparatus and facing forwardly towards the front of the surface cleaning head.). The suction motor may be positioned below at least one of the air treatment member and the dirt collection region. The first and second laterally opposed sides and at least one of the front side and the rear side of the air treatment member assembly may be generally rectangular in top plan view when the upright section is in the upright position.

The other of the one of the front side and the rear side of the air treatment member assembly may have a portion that extends outwardly in a direction of the central longitudinal axis of the surface cleaning head when the upright section is oriented to extend generally upwardly from the surface cleaning head. The portion may also extend along a length of the air treatment member assembly in a direction of the longitudinally extending air treatment member assembly axis.

The suction motor may underlie at least one of the air treatment member and the dirt collection region. The inlet of the suction motor may be aligned with an air outlet of the air treatment member.

The air treatment member may have a dirt outlet provided on a lateral side of the air treatment member.

A depth of the air treatment member assembly in a direction of the central longitudinal axis may be about equal to a diameter of the suction motor, and/or may be the same as the diameter of the suction motor  $\pm 2$  inches.

A maximum depth of the upright section in a direction of the central longitudinal axis may be 6 inches or less, and may be 4 inches or less.

A depth of the air treatment member in a direction of the central longitudinal axis may be about equal to a diameter of the suction motor.

The depth of the air treatment member assembly may be the same as the diameter of the suction motor  $\pm 2$  inches.

A maximum depth of the upright section in a direction of the central longitudinal axis may be 6 inches or less, and may be 4 inches or less.

In accordance with this aspect of the teachings described herein, an upright surface cleaning apparatus may include a surface cleaning head having a front end, a rear end, a central longitudinal axis extending between the front and rear ends, first and second laterally opposed sides, a dirty air inlet and a surface cleaning head air outlet. An upright section may be mounted to the surface cleaning head and may be moveable between a generally upright position and a rearwardly inclined in use position. The upright section may include a cyclone bin assembly and a suction motor. The cyclone bin assembly may have a longitudinally extending cyclone bin assembly axis, first and second laterally opposed sides, a front side and a rear side, the air treatment member assembly comprising a cyclone and a dirt collection chamber external to and positioned laterally from the cyclone. The suction motor may be positioned below at least

one of the cyclone and the dirt collection chamber. The first and second laterally opposed sides and one of the front side and the rear side of the cyclone bin assembly may be generally rectangular in top plan view when the upright section is in the upright position.

The other of the one of the front side and the rear side of the cyclone bin assembly may have a portion that extends outwardly in a direction of the central longitudinal axis of the surface cleaning head when the upright section is oriented to extend generally upwardly from the surface cleaning head. The portion may also extend along a length of the cyclone bin assembly in a direction of the longitudinally extending cyclone bin assembly axis. The portion may be rounded in transverse section.

An inlet of the suction motor may be aligned with an air outlet of the cyclone.

The cyclone may have a laterally directed dirt outlet.

A diameter of the cyclone may be about equal to a diameter of the suction motor.

A maximum depth of the upright section in a direction of the central longitudinal axis may be 6 inches or less, and may be 4 inches or less.

In accordance with this aspect of the teachings described herein, an upright surface cleaning apparatus may include a surface cleaning head having a front end, a rear end, a central longitudinal axis extending between the front and rear ends, first and second laterally opposed sides, a dirty air inlet and a surface cleaning head air outlet. An upright section may be mounted to the surface cleaning head and may be moveable between a generally upright position and a rearwardly inclined in use position. The upright section may include an air treatment member assembly and a suction motor positioned below the air treatment member assembly. The air treatment member assembly may have a longitudinally extending air treatment member assembly axis, first and second laterally opposed sides, a front side and a rear side. The air treatment member assembly may be generally rectangular in top plan view when the upright section is in the upright position other than at least one of the front and rear sides having an outward protrusion that extends in the direction of the longitudinally extending air treatment member assembly axis.

A maximum depth of the upright section in a direction of the central longitudinal axis may be 6 inches or less, and may be 4 inches or less.

In accordance with another aspect of this disclosure, a surface cleaning apparatus has an upper section wherein components are vertically aligned. For example, a push handle of the upper section may be positioned such that the drive axis extends through the air treatment member assembly and the suction motor housing and a rotatable mount of the upper section underlies the upright section when the upright section is in the generally upright position. An advantage of this design is the depth of the upper section may be reduced while providing a maneuverable surface cleaning head.

In accordance with this aspect, there is provided an upright surface cleaning apparatus that may include a surface cleaning head having a front end, a rear end, rear wheels, a central longitudinal axis extending between the front and rear ends, first and second laterally opposed sides, a dirty air inlet and a surface cleaning head air outlet. An upright section may be moveably mounted to the surface cleaning head between a generally upright position and a rearwardly inclined in use position. The upright section may have a cleaning unit and a push handle. The cleaning unit may include an air treatment member assembly having an air

treatment member and a suction motor housing having a suction motor therein. The push handle may include a longitudinally extending member having a longitudinally extending drive axis and a hand grip portion provided at an upper end of the longitudinally extending member wherein the drive axis extends through the air treatment member assembly and the suction motor housing. A rotatable mount may rotatably mount the upright section with respect to the surface cleaning head about an upright section axis wherein the rotatable mount underlies the upright section when the upright section is in the generally upright position.

Axis of rotation of the rear wheels may underlie the air treatment member assembly when the upright section is in the generally upright position.

The suction motor may underlie the air treatment member assembly when the upright section is in the generally upright position.

The drive axis may be located a distance from the front end of the surface cleaning head that is generally the same as a distance the rotatable mount is located from the front end.

The air treatment member assembly may also include a dirt collection region exterior to and laterally spaced with respect to the air treatment member and an up flow duct that is positioned behind the dirt collection region.

The air treatment member may have a depth in a direction of the central longitudinal axis that is greater than a depth of the dirt collection region in a direction of the central longitudinal axis. A rear side of the up flow duct may be located proximate a rear side of the air treatment member.

The air treatment member may have a depth in a direction of the central longitudinal axis that is generally equal to a depth of the dirt collection region in a direction of the central longitudinal axis and a depth of the up flow duct in a direction of the central longitudinal axis.

The push handle may be rotatable relative to the cleaning unit about a laterally extending axis wherein the laterally extending axis is positioned above the air treatment member when the upright section is in the generally upright position.

In accordance with this aspect, an upright surface cleaning apparatus may include a surface cleaning head having a front end, a rear end, rear wheels, a central longitudinal axis extending between the front and rear ends, first and second laterally opposed sides, a dirty air inlet and a surface cleaning head air outlet. An upright section may be moveably mounted to the surface cleaning head between a generally upright position and a rearwardly inclined in use position. The upright section may have a cleaning unit and a push handle. The cleaning unit may include an air treatment member assembly having an air treatment member, a dirt collection region exterior to and laterally spaced with respect to the air treatment member and a suction motor housing having a suction motor therein. The suction may be beneath the air treatment member assembly when the upright section is in the generally upright position. An up flow duct may be positioned behind the dirt collection region. The push handle may include a longitudinally extending member having a longitudinally extending drive axis and a hand grip portion provided at an upper end of the longitudinally extending member. A rotatable mount may rotatably mount the upright section with respect to the surface cleaning head about an upright section axis. The rotatable mount may underlie the upright section when the upright section is in the generally upright position.

The air treatment member may have a depth in a direction of the central longitudinal axis that is greater than a depth of the dirt collection region in a direction of the central

longitudinal axis and a rear side of the up flow duct is located proximate a rear side of the air treatment member.

The air treatment member may have a depth in a direction of the central longitudinal axis that is generally equal to a depth of the dirt collection region in a direction of the central longitudinal axis and a depth of the up flow duct in a direction of the central longitudinal axis.

An axis of rotation of the rear wheels may underlie the air treatment member assembly when the upright section is in the generally upright position.

In accordance with this aspect, an upright surface cleaning apparatus may include a surface cleaning head having a front end, a rear end, rear wheels, a central longitudinal axis extending between the front and rear ends, first and second laterally opposed sides, a dirty air inlet and a surface cleaning head air outlet. A cleaning unit may be moveably mounted to the surface cleaning head between a generally upright position and a rearwardly inclined in use position. The cleaning unit may include a front face having a forward most portion provided in a front plane that is transverse to a forward direction of travel of the surface cleaning head, a rear face having a rearward most portion provided in a rear plane that is transverse to the forward direction. An air treatment member assembly may include an air treatment member, a dirt collection region exterior to the air treatment member and a suction motor therein. The suction motor may underlie the air treatment member assembly when the cleaning unit is in the generally upright position. A push handle may have a longitudinally extending member with a longitudinally extending drive axis and a hand grip portion provided at an upper end of the longitudinally extending member. A rotatable mount may rotatably mount the upright section with respect to the surface cleaning head about an upright section axis. The air treatment member, the dirt collection region an axis of rotation of the rear wheels and the rotatable mount may be located between the front and rear planes.

The rotatable mount may underlie the air treatment member assembly when the cleaning unit is in the generally upright position.

The axis of rotation of the rear wheels may underlie the air treatment member assembly when the cleaning unit is in the generally upright position.

The suction motor may underlie the air treatment member assembly when the cleaning unit is in the generally upright position.

The drive axis may be located a distance from the front end of the surface cleaning head that is generally the same as a distance the rotatable mount is located from the front end.

The dirt collection region may be laterally spaced with respect to the air treatment member and an up flow duct is positioned behind the dirt collection region.

The air treatment member may have a depth in a direction of the central longitudinal axis that is greater than a depth of the dirt collection region in a direction of the central longitudinal axis and a rear side of the up flow duct is located proximate a rear side of the air treatment member.

The air treatment member may have a depth in a direction of the central longitudinal axis that is generally equal to a depth of the dirt collection region in a direction of the central longitudinal axis and a depth of the up flow duct in a direction of the central longitudinal axis.

A maximum depth of the cleaning unit in a direction of the central longitudinal axis may be 6 inches or less and may be 4 inches or less.

In accordance with another aspect of this disclosure, a surface cleaning apparatus is provided with a surface cleaning head wherein the rear wheels of the surface cleaning head have a diameter that is greater than a depth of the portion of the dirt collection region that is exterior to the air treatment member. An advantage of this design is the depth of the upper section may be reduced while providing a maneuverable surface cleaning head.

In accordance with this aspect, there is provided an upright surface cleaning apparatus that may have a surface cleaning head having a front end, a rear end, rear wheels having a diameter, a central longitudinal axis extending between the front and rear ends, first and second laterally opposed sides, a dirty air inlet and a surface cleaning head air outlet. An upright section may be moveably mounted to the surface cleaning head between a generally upright position and a rearwardly inclined in use position. The upright section may include an air treatment member assembly including an air treatment member and a dirt collection region. At least a portion of the dirt collection region may be exterior to and laterally spaced with respect to the air treatment member. A housing may include a suction motor therein. The diameter of the rear wheels may be greater than a depth of the portion of the dirt collection region in a direction of the central longitudinal axis.

The housing may have a motor housing portion which houses the suction motor and a lateral portion laterally spaced from the motor housing portion. The lateral portion may have a depth in a direction of the central longitudinal axis that is less than a depth of the central portion.

The housing may have a central portion which houses the suction motor and a lateral portion laterally spaced from the central portion wherein the lateral portion has a depth in a direction of the central longitudinal axis that is less than a depth of the central portion. The lateral portion may house a post motor filter.

The dirt collection region may be located above the lateral portion when the upright section is in the generally upright position.

The motor housing portion may underlie the air treatment member.

The air treatment member may include a cyclone chamber and the dirt collection region comprises a dirt collection chamber.

The suction motor may be generally laterally aligned with an air outlet of the cyclone chamber.

The upright section may include an up flow duct positioned behind the lateral portion. The lateral portion may house a post motor filter.

The up flow duct may be located proximate a rear side of the motor housing portion.

The motor housing portion may have a depth in a direction of the central longitudinal axis that is generally equal to a depth of the lateral portion in a direction of the central longitudinal axis and a depth of the up flow duct in a direction of the central longitudinal axis.

An axis of rotation of the rear wheels may be located rearward of the lateral portion and may underlie the upright section when the upright section is in the generally upright position.

The upright section may include a cleaning unit that contains the air treatment member assembly and suction motor and a drive handle extending from an upper end of the cleaning unit. A maximum depth of the cleaning unit in a direction of the central longitudinal axis may be 6 inches or less, and may be 4 inches or less.

The upright section further may include an up flow duct that has a length in a lateral direction that is transverse to the central longitudinal axis that is greater than a depth of the up flow duct in a direction of the central longitudinal axis.

The length of the up flow duct may be more than twice the depth of the up flow duct. The up flow duct may be rectangular or ovaloid.

In accordance with another aspect of this disclosure, an upper section of a surface cleaning apparatus utilizes non-rounded air flow ducts. For example, one or more air flow conduits may be a parallelogram in cross section transverse to the air flow direction through the conduit (e.g., square or rectangular), elliptical or the like. The longer dimension of the conduit preferably extends transverse to a central longitudinal axis of the surface cleaning head to thereby increase the lateral dimension of the cleaning unit while reducing the depth of the cleaning unit.

In accordance with this aspect, there is provided an upright surface cleaning apparatus that may include a surface cleaning head having a front end, a rear end, rear wheels having a diameter, a central longitudinal axis extending between the front and rear ends, first and second laterally opposed sides, a dirty air inlet and a surface cleaning head air outlet. An upright section may be moveably mounted to the surface cleaning head between a generally upright position and a rearwardly inclined in use position. The upright section may include an air treatment member assembly having an air treatment member, a suction motor and an air flow duct. The upright section may have a motor receiving portion housing the suction motor and a lateral portion laterally spaced from the motor receiving portion. The air flow duct may be positioned laterally from the motor receiving portion. The air flow duct may have a length in a lateral direction that is transverse to the central longitudinal axis that is greater than a depth of the air flow duct in a direction of the central longitudinal axis.

The length of the up flow duct may be more than twice the depth of the up flow duct. The up flow duct may be rectangular or ovaloid in cross-section, and may include an up flow duct.

The motor receiving portion that may have a depth in a direction of the central longitudinal axis that is greater than a depth in a direction of the central longitudinal axis of the lateral portion and the air flow duct is provided in front or behind the lateral portion. The lateral portion may house a post motor filter.

A depth in a direction of the central longitudinal axis of the motor receiving portion may be approximately the same as a depth of the lateral portion in a direction of the central longitudinal axis and a depth of the air flow duct in a direction of the central longitudinal axis.

The surface cleaning head may include an up flow duct, and the upright surface cleaning apparatus may include a rotatable mount rotatably mounting the upright section with respect to the surface cleaning head about an upright section axis. The up flow duct may have a circular cross-sectional area. The air flow duct may be downstream from the up flow duct.

The air treatment member may have an air inlet having a shape that is similar to a shape of the air flow duct.

The air inlet of the air treatment member may have a height in a direction of a longitudinal axis of the upright section that is  $\pm 15\%$  of a depth of the up flow duct in a direction of the central longitudinal axis and the air inlet of the air treatment member has a width in a direction transverse to the longitudinal axis of the upright section that is  $\pm 15\%$  of a width of the up flow duct in a lateral direction.

The air treatment member assembly may have a dirt collection region external to and laterally spaced from the air treatment member. The dirt collection region may be located above the lateral portion when the upright section is in the generally upright position.

The motor receiving portion may underlie the air treatment member.

The air treatment member may include a cyclone and the dirt collection region may include a dirt collection chamber.

The suction motor may be generally aligned with an air outlet of the cyclone.

A flexible conduit may include a downstream end that has a transition member that is removably receivable in the air flow duct. The transition member may have, in cross-section, a length and a width and the length may be greater than the width.

The cross-sectional length of the transition member may be more than twice the cross-sectional depth of the transition member. The transition member may be rectangular or ovaloid in cross-section.

In accordance with this aspect, an upright surface cleaning apparatus may include a surface cleaning head having a front end, a rear end, rear wheels having a diameter, a central longitudinal axis extending between the front and rear ends, first and second laterally opposed sides, a dirty air inlet and a surface cleaning head air outlet. An upright section may be moveably mounted to the surface cleaning head between a generally upright position and a rearwardly inclined in use position. The upright section may include an air treatment member assembly and may include an air treatment member, a suction motor and an air flow duct. The air flow duct may have a length in a lateral direction that is transverse to the central longitudinal axis that is greater than a depth of the air flow duct in a direction of the central longitudinal axis. A flexible conduit may have a downstream end that has a transition member that is removably receivable in the air flow duct. The transition member, in cross-section, may have a length and a depth and the length may be greater than the depth.

In accordance with this aspect, an upright surface cleaning apparatus may include a surface cleaning head having a front end, a rear end, rear wheels having a diameter, a central longitudinal axis extending between the front and rear ends, first and second laterally opposed sides, a dirty air inlet and a surface cleaning head air outlet. An upright section moveably mounted to the surface cleaning head between a generally upright position and a rearwardly inclined in use position, the upright section comprising an air treatment member assembly comprising an air treatment member, a suction motor and an air flow duct. A flexible conduit may have a downstream end that has a transition member. The air flow duct may have a non-circular perimeter in cross-section and the transition member may have a perimeter in cross-section that is comparable to perimeter of the air flow duct.

In accordance with another aspect of this disclosure, all or a substantial portion of the dirt collection region is positioned laterally beside the air treatment member. For example, the volume of the portions of the dirt collection region that are laterally beside the cyclone chamber may be more than 50%, 60%, 70%, 80% or 90% of the total volume of the dirt collection region. Accordingly, the depth of the cleaning unit may be reduced by positioning the dirt collection chamber to not be in front and/or behind the air treatment member.

In accordance with this aspect, there is provided an upright surface cleaning apparatus that may include a surface cleaning head having a front end, a rear end, a central

longitudinal axis extending between the front and rear ends, first and second laterally opposed sides, a dirty air inlet and a surface cleaning head air outlet. An upright section may be moveably mounted to the surface cleaning head between a generally upright position and a rearwardly inclined in use position. The upright section may include a cyclone bin assembly having a cyclone chamber and at least one dirt collection chamber exterior to the cyclone. The dirt collection chamber may have a volume and at least 60% of the volume may be positioned laterally from the cyclone.

The cyclone chamber has a laterally directed dirt outlet. The laterally directed dirt outlet may include a laterally positioned opening in a sidewall of the cyclone chamber.

The cyclone chamber may have first and second lateral sides and the at least one dirt collection chamber may be provided on only the first lateral side of the cyclone chamber.

The cyclone bin assembly may have first and second lateral sides and the cyclone chamber is provided on the first lateral side of the cyclone bin assembly and the at least one dirt collection chamber may be provided on the second lateral side of the cyclone bin assembly.

The cyclone chamber may have first and second lateral sides and a first dirt collection chamber may be provided on the first lateral side of the cyclone and a second dirt collection chamber may be provided on the second lateral side of the cyclone chamber.

The cyclone bin assembly may have first and second lateral sides and the cyclone chamber may be provided centrally between the first and second lateral sides. The dirt collection chamber may be provided on the first lateral side of the cyclone bin assembly and the second dirt collection chamber may be provided on the second lateral side of the cyclone bin assembly.

At least 80% of the volume may be positioned laterally from the cyclone chamber.

The cyclone chamber may have a depth in a direction of the central longitudinal axis that is greater than a depth of at least a portion of the at least one dirt collection chamber in the direction of the central longitudinal axis.

An up flow duct may be positioned behind the portion of the at least one dirt collection chamber.

In accordance with this aspect, an upright surface cleaning apparatus may include a surface cleaning head having a front end, a rear end, a central longitudinal axis extending between the front and rear ends, first and second laterally opposed sides, a dirty air inlet and a surface cleaning head air outlet. An upright section may be moveably mounted to the surface cleaning head between a generally upright position and a rearwardly inclined in use position. The upright section may include an air treatment member assembly having an air treatment member and at least one dirt collection region exterior to the air treatment member. The dirt collection region may have a volume and at least 60% of the volume may be positioned laterally from the air treatment member.

The air treatment member may have a laterally directed dirt outlet. The laterally directed dirt outlet may include a laterally positioned opening in a sidewall of the air treatment member.

The air treatment member may have first and second lateral sides and the at least one dirt collection region may be provided on only the first lateral side of the air treatment member.

The air treatment member assembly has first and second lateral sides and the air treatment member is provided on the first lateral side of the air treatment member assembly and

the at least one dirt collection region is provided on the second lateral side of the air treatment member assembly.

The air treatment member may have first and second lateral sides and a first dirt collection chamber may be provided on the first lateral side of the air treatment member and a second dirt collection chamber may be provided on the second lateral side of the air treatment member.

The air treatment member assembly may have first and second lateral sides, the air treatment member may be provided centrally between the first and second lateral sides. The dirt collection chamber may be provided on the first lateral side of the air treatment member assembly and the second dirt collection chamber may be provided on the second lateral side of the air treatment member assembly.

At least 80% of the volume may be positioned laterally from the air treatment member.

The air treatment member may have a depth in a direction of the central longitudinal axis that is greater than a depth of at least a portion of the at least one dirt collection region in the direction of the central longitudinal axis.

An up flow duct may be positioned behind the portion of the at least one dirt collection region.

In accordance with this aspect, an upright surface cleaning apparatus may include a surface cleaning head having a front end, a rear end, a central longitudinal axis extending between the front and rear ends, first and second laterally opposed sides, a dirty air inlet and a surface cleaning head air outlet. An upright section may be moveably mounted to the surface cleaning head between a generally upright position and a rearwardly inclined in use position. The upright section may include an air treatment member assembly comprising an air treatment member and a dirt collection region exterior to the air treatment member. The air treatment member may have first and second lateral sides and the dirt collection region may be provided on only the first lateral side of the air treatment member.

The air treatment member assembly may have first and second lateral sides and the air treatment member may be provided on the first lateral side of the air treatment member assembly. The dirt collection region may be provided on the second lateral side of the air treatment member assembly.

The air treatment member may include a cyclone.

The air treatment member may have a depth in a direction of the central longitudinal axis that is greater than a depth of at least a portion of the at least one dirt collection region in the direction of the central longitudinal axis.

An up flow duct may be positioned behind the portion of the at least one dirt collection region.

In accordance with another aspect of this disclosure, the push handle of the upright surface cleaning apparatus may be positioned such that a portion of the air treatment member may be positioned laterally thereof. For example, the push handle may be positioned off centre (towards one lateral side of the upper section) thereby enabling the air treatment member to extend further rearwardly and reducing the depth of the cleaning unit.

In accordance with this aspect, there is provided an upright surface cleaning apparatus that may include a surface cleaning head having a front end, a rear end, a central longitudinal axis extending between the front and rear ends, first and second laterally opposed sides, a dirty air inlet and a surface cleaning head air outlet. A cleaning unit may be moveably mounted to the surface cleaning head between a generally upright position and a rearwardly inclined in use position. The cleaning unit may include a support structure and an air treatment member assembly that includes an air treatment member. The support structure may be positioned

rearward of a front face of the air treatment member assembly when the cleaning unit is in the generally upright position. A push handle may include a longitudinally extending member having a longitudinally extending drive axis and a hand grip portion provided at an upper end of the longitudinally extending member. A lower end of the longitudinally extending member may be mounted to the support structure and a portion of the air treatment member assembly may extend rearward of the longitudinally extending member when the cleaning unit is in the generally upright position.

A portion of the air treatment member may extend rearward of the longitudinally extending member when the cleaning unit is in the generally upright position.

The longitudinally extending member may extend generally vertically when the cleaning unit is in the generally upright position.

The support structure may include an up flow duct and the longitudinally extending member may be mounted to an upper end of the up flow duct.

The air treatment member assembly may include a dirt collection region and the up flow duct may be positioned behind the dirt collection region.

The air treatment member may have a depth in a direction of the central longitudinal axis that is greater than a depth of at least a portion of the dirt collection region in the direction of the central longitudinal axis.

The up flow duct may be positioned behind the portion of the at least one dirt collection region.

The support structure may include first and second laterally spaced struts and a cross member provided on an upper end of the struts.

The struts may be positioned behind the air treatment member assembly.

The air treatment member assembly may include first and second lateral sides. A first dirt collection region external to the air treatment member may be provided on the first lateral side of the air treatment member assembly and a second dirt collection region external to the air treatment member may be provided on the second lateral side of the air treatment member assembly. A strut may be positioned behind each of the dirt collection regions. The first and second dirt collection regions may be contiguous.

The first and second dirt collection regions may be provided on either side of an air treatment member and may be isolated from each other.

The air treatment member may have a depth in a direction of the central longitudinal axis that is greater than a depth of at least a portion of the first and second dirt collection regions in the direction of the central longitudinal axis.

The first strut may be positioned behind the portion of the first dirt collection region and the second strut may be positioned behind the portion of the second dirt collection region.

The drive axis may extend through the air treatment member assembly.

The air treatment member assembly may include a cyclone bin assembly and the air treatment member may include a cyclone.

In accordance with this aspect, an upright surface cleaning apparatus may include a surface cleaning head having a front end, a rear end, a central longitudinal axis extending between the front and rear ends, first and second laterally opposed sides, a dirty air inlet and a surface cleaning head air outlet. A cleaning unit may be moveably mounted to the surface cleaning head between a generally upright position and a rearwardly inclined in use position. The cleaning unit

15

may include a support structure and an air treatment member assembly. The support structure may include first and second laterally spaced struts and a cross member provided on an upper end of the struts. The air treatment member assembly may include an air treatment member, first and second lateral sides, a first dirt collection region external to the air treatment member provided on the first lateral side of the air treatment member assembly and a second dirt collection region external to the air treatment member provided on the second lateral side of the air treatment member assembly. A strut may be positioned behind each of the dirt collection regions. A push handle may include a longitudinally extending member having a longitudinally extending drive axis and a hand grip portion provided at an upper end of the longitudinally extending member. A lower end of the longitudinally extending member may be mounted to the support structure.

In accordance with this aspect, an upright surface cleaning apparatus may include a surface cleaning head having a front end, a rear end, a central longitudinal axis extending between the front and rear ends, first and second laterally opposed sides, a dirty air inlet and a surface cleaning head air outlet. A cleaning unit may be moveably mounted to the surface cleaning head between a generally upright position and a rearwardly inclined in use position. The cleaning unit may include an up flow duct and an air treatment member assembly comprising an air treatment member. The up flow duct may be positioned rearward of a front face of the air treatment member assembly when the cleaning unit is in the generally upright position. A push handle may include a longitudinally extending member having a longitudinally extending drive axis and a hand grip portion provided at an upper end of the longitudinally extending member wherein a lower end of the longitudinally extending member is mounted to the up flow duct.

The first and second dirt collection regions may be contiguous.

The first and second dirt collection regions may be provided on either side of an air treatment member and may be isolated from each other.

In accordance with another aspect of this disclosure, the post motor filter(s) and/or the clean air outlet(s) may be provided on one or both lateral sides of the upper section. An advantage of this design is that a post motor filter need not be positioned forward and/or rearward of the suction motor. Therefore, the suction motor may essentially extend from the front to the rear of the cleaning unit thereby reducing the depth of the cleaning unit.

In accordance with this aspect, there is provided an upright surface cleaning apparatus that may include a surface cleaning head having a front end, a rear end, a central longitudinal axis extending between the front and rear ends, first and second laterally opposed sides, a dirty air inlet and a surface cleaning head air outlet. An upright section may be moveably mounted to the surface cleaning head between a generally upright position and a rearwardly inclined in use position. The upright section may include first and second lateral opposed sides, an air treatment member assembly comprising an air treatment member and a suction motor having first and second lateral sides. Each lateral side of the upright section may have a clean air outlet and a post-motor porous filter media located upstream of the clean air outlet.

The post-motor porous filter media may be provided on each lateral side of the suction motor.

16

The post-motor porous filter media may be positioned opposed to and facing each of the lateral sides of the suction motor. The suction motor may be positioned below the air treatment member.

The clean air outlets may be provided in a lower portion of the upright section. The post-motor porous filter media may be positioned below the suction motor.

The upper section may have a width in a direction transverse to the central longitudinal axis that is more than twice a depth of the upright section in the direction of the central longitudinal axis. The air treatment member may include a cyclone chamber.

In accordance with this aspect, an upright surface cleaning apparatus may include a surface cleaning head having a front end, a rear end, a central longitudinal axis extending between the front and rear ends, first and second laterally opposed sides, a dirty air inlet and a surface cleaning head air outlet. An upright section may be moveably mounted to the surface cleaning head between a generally upright position and a rearwardly inclined in use position. The upright section may include first and second lateral opposed sides, an air treatment member assembly comprising an air treatment member and a suction motor having first and second lateral sides. The first lateral side may have a clean air outlet. A post-motor porous filter media may be located upstream of the clean air outlet. The upper section may have a width in a direction transverse to the central longitudinal axis that is more than twice a depth of the upright section in the direction of the central longitudinal axis.

The post-motor porous filter media may be provided on the first lateral side of the suction motor, wherein the first lateral side of the suction motor faces the first lateral side of the upper section.

The post-motor porous filter media may be positioned opposed to and facing the first lateral side of the suction motor. The suction motor may be positioned below the air treatment member. The clean air outlet may be provided in a lower portion of the upright section. The air treatment member may include a cyclone.

In accordance with this aspect, an upright surface cleaning apparatus may include a surface cleaning head having a front end, a rear end, a central longitudinal axis extending between the front and rear ends, first and second laterally opposed sides, a dirty air inlet and a surface cleaning head air outlet. An upright section may be moveably mounted to the surface cleaning head between a generally upright position and a rearwardly inclined in use position. The upright section may include first and second lateral opposed sides, an air treatment member assembly comprising an air treatment member, a suction motor having first and second lateral sides and a clean air outlet. Each lateral side of the upright section may include a post-motor porous filter media located upstream of the clean air outlet. The upper section may have a width in a direction transverse to the central longitudinal axis that is more than twice a depth of the upright section in the direction of the central longitudinal axis.

The post-motor porous filter media may be positioned opposed to and facing each of the lateral sides of the suction motor.

The suction motor may be positioned below the air treatment member.

The clean air outlet may be provided in a lower portion of the upright section.

The post-motor porous filter media may be positioned below the suction motor. The air treatment member may include a cyclone.

In accordance with another aspect of this disclosure, the surface cleaning apparatus may have a telescoping push handle with a pivot joint provided therein. Optionally, one of the telescoping shafts may provide an anti-rotation lock for the pivot joint. An advantage of this design is that a user may position the cleaning unit to extend generally horizontal while still standing in a generally upright position such that the user may maneuver the surface cleaning head under furniture while in a comfortable operating position.

In accordance with this aspect, there is provided an upright surface cleaning apparatus that may include a surface cleaning head having a front end, a rear end, a central longitudinal axis extending between the front and rear ends, first and second laterally opposed sides, a dirty air inlet and a surface cleaning head air outlet. A cleaning unit may be moveably mounted to the surface cleaning head between a generally upright position and a rearwardly inclined in use position. The cleaning unit may include an air treatment member assembly comprising an air treatment member and a suction motor. A telescoping push handle may include upper and lower telescoping longitudinally extending members which are reconfigurable between a retracted position and a first extended position. The upper telescoping longitudinally extending member may have a longitudinally extending drive axis and a hand grip portion provided at an upper end of the upper longitudinally extending member. The lower telescoping longitudinally extending member may have a first pivot joint provided at an upper end of the lower telescoping longitudinally extending member. The first pivot joint may be non-rotationally locked when the push handle is in the retracted position and the upper telescoping longitudinally extending member may be pivotal about the first pivot joint when the push handle is in the first extended position.

The upper telescoping longitudinally extending member may have a first abutment member and the first pivot joint may have a first pivot joint abutment member and the abutment members prevent rotation of the upper telescoping longitudinally extending member when the push handle is in the retracted position.

The upper telescoping longitudinally extending member may include a longitudinally extending drive shaft and the first abutment member may include a portion of the outer surface of the drive shaft whereby the portion of the outer surface is exterior to the first pivot joint when the push handle is in the first extended position.

The upper telescoping longitudinally extending member may extend through the first pivot joint when the push handle is in the retracted position.

The upper telescoping longitudinally extending member may be slideably receivable in the lower telescoping longitudinally extending member.

The first pivot joint may be located above the air treatment member.

The first pivot joint may overlie the air treatment member.

The push handle may be mounted to the cleaning unit.

A second pivot joint may be provided on longitudinally extending member and above the first pivot joint. The second pivot joint may be non-rotationally locked when the push handle is in the first extended position and the upper telescoping longitudinally extending member may be pivotal about the second pivot joint when the push handle is in a second extended position.

When the upper longitudinally extending member is in the second extended position, the upper longitudinally extend-

ing member may be further extended than when the upper longitudinally extending member is in the first extended position.

The upper telescoping longitudinally extending member may have a second abutment member and the second pivot joint may have a second pivot joint abutment member and the second abutment member and the second pivot joint abutment member prevent rotation of the upper telescoping longitudinally extending member when the push handle is in the retracted position.

The upper telescoping longitudinally extending member may include a longitudinally extending drive shaft and the second abutment member may include a portion of the outer surface of the drive shaft whereby the portion of the outer surface is exterior to the second pivot joint when the push handle is in the second extended position.

The upper telescoping longitudinally extending member may extend through the second pivot joint when the push handle is in the retracted position.

The second pivot joint may be located above the air treatment member.

The second pivot joint may overlie the air treatment member.

The upper telescoping longitudinally extending member may have first and second abutment members. The first pivot joint may have a first pivot joint abutment member and the second pivot joint may have a second pivot joint abutment member. The first abutment member and the first pivot joint abutment member may prevent rotation of the upper telescoping longitudinally extending member when the push handle is in the retracted position. The second abutment member and the second pivot joint abutment member may prevent rotation of the upper telescoping longitudinally extending member when the push handle is in the first extended position.

The upper telescoping longitudinally extending member may include a longitudinally extending drive shaft. The first abutment member may include a first portion of the outer surface of the drive shaft and the second abutment member may include a second portion of the outer surface of the drive shaft. The first portion of the outer surface may be exterior to the first pivot joint when the push handle is in the first extended position and the second portion of the outer surface may be exterior to the second pivot joint when the push handle is in the second extended position.

The second portion of the outer surface of the drive shaft may be below the first portion of the outer surface of the drive shaft.

The first and second pivot joints may each overlie the air treatment member.

The push handle may be mounted to the cleaning unit.

In accordance with another aspect of this disclosure, an upright surface cleaning apparatus is provided with a flexible conduit, wherein in a floor cleaning mode the flexible conduit is positioned between a front transverse plane of the cleaning unit and a rear transverse of the cleaning unit. An advantage of this design is that the flexible conduit does not increase the depth of the upper section.

In accordance with this aspect, there is provided an upright surface cleaning apparatus that may include a surface cleaning head having a front end, a rear end, rear wheels, a central longitudinal axis extending between the front and rear ends, first and second laterally opposed sides, a dirty air inlet and a surface cleaning head air outlet. A cleaning unit may be moveably mounted to the surface cleaning head between a generally upright position and a rearwardly inclined in use position. The cleaning unit may



include an air treatment member assembly having an air treatment member and a suction motor therein. The cleaning unit may have an upper end, a front side and a rear side and first and second opposed lateral sides. A push handle may have a longitudinally extending member having a longitudinally extending drive axis and a hand grip portion. An above floor cleaning assembly may include a flexible conduit having an inlet end and an outlet end. In a floor cleaning mode the above floor cleaning assembly may be positioned between a front transverse plane that extends transverse to the central longitudinal axis and is located at the front side of the cleaning unit and a rear transverse plane that extends transverse to the central longitudinal axis and is located at the rear side of the cleaning unit.

The above floor cleaning assembly may include a rigid conduit that is upstream of the flexible conduit in an above floor cleaning mode. In the floor cleaning mode, the rigid conduit may be located on a first lateral side of the air treatment member, a first portion of the flexible conduit having the outlet end may be located on a second lateral side of the air treatment member. A second portion of the flexible conduit may extend from the second lateral side of the air treatment member over an upper end of the air treatment member to the first lateral side of the air treatment member.

The rigid conduit may have an upstream end that in the floor cleaning mode is received in an up flow duct and in an above floor cleaning mode is removed from the up flow duct.

The air treatment member assembly may include a first dirt collection region that is located on the first lateral side of the air treatment member and the rigid conduit may be located behind the first dirt collection region.

The air treatment member assembly may include a second dirt collection region that is located on the second lateral side of the air treatment member and the first portion of the flexible conduit may be located behind the second dirt collection region.

The air treatment member may have a depth in a direction of the central longitudinal axis that is greater than a depth of the first dirt collection region in a direction of the central longitudinal axis.

The air treatment member may have a depth in a direction of the central longitudinal axis that is greater than a depth of the first dirt collection region and greater than a depth of the second dirt collection region in a direction of the central longitudinal axis. The drive axis may extend through the air treatment member assembly.

The drive axis may extend through the air treatment member assembly and, in the floor cleaning mode, the second portion of the flexible conduit may be positioned in front of the drive axis. In the floor cleaning mode, a rearward extent of a rear side of the above floor cleaning assembly may be at most a rear side of the cleaning unit.

In accordance with this aspect, an upright surface cleaning apparatus may include a surface cleaning head having a front end, a rear end, rear wheels, a central longitudinal axis extending between the front and rear ends, first and second laterally opposed sides, a dirty air inlet and a surface cleaning head air outlet. A cleaning unit may be moveably mounted to the surface cleaning head between a generally upright position and a rearwardly inclined in use position. The cleaning unit may include an air treatment member assembly having an air treatment member and a suction motor therein. The air treatment member may have an upper end, a front side and a rear side and first and second opposed lateral sides. A push handle may have a longitudinally extending member having a longitudinally extending drive axis and a hand grip portion. An above floor cleaning

assembly may include a flexible conduit having an inlet end and an outlet end. In a floor cleaning mode a front side of the entire above floor cleaning assembly may be positioned forward of a rear side of the air treatment member.

The above floor cleaning assembly may include a rigid conduit that is upstream of the flexible conduit in an above floor cleaning mode. In the floor cleaning mode, the rigid conduit may be located on the first lateral side of the air treatment member, a first portion of the flexible conduit having the outlet end may be located on the second lateral side of the air treatment member and a second portion of the flexible conduit may extend from the second lateral side of the air treatment member over the upper end of the air treatment member to the first lateral side of the air treatment member.

The rigid conduit may have an upstream end that in the floor cleaning mode is received in an up flow duct and in an above floor cleaning mode is removed from the up flow duct.

The air treatment member assembly may include a first dirt collection region that is located on the first lateral side of the air treatment member and the rigid conduit may be located behind the first dirt collection region.

The air treatment member assembly may include a second dirt collection region that is located on the second lateral side of the air treatment member and the first portion of the flexible conduit may be located behind the second dirt collection region.

The air treatment member may have a depth in a direction of the central longitudinal axis that is greater than a depth of the first dirt collection region in a direction of the central longitudinal axis.

The air treatment member may have a depth in a direction of the central longitudinal axis that is greater than a depth of the first dirt collection region and greater than a depth of the second dirt collection region in a direction of the central longitudinal axis.

The drive axis may extend through the air treatment member assembly.

The drive axis may extend through the air treatment member assembly and, in the floor cleaning mode, the second portion of the flexible conduit may be positioned rearward of the drive axis.

In the floor cleaning mode, a rearward extent of a rear side of the above floor cleaning assembly may be at most a rear side of the cleaning unit.

In accordance with another aspect of this disclosure, the cleaning unit is provided with a carry handle that extends transversely. An advantage of this design is that the handle does not increase the depth of the upper section.

In accordance with this aspect, there is provided an upright surface cleaning apparatus that may include a surface cleaning head having a front end, a rear end, a central longitudinal axis extending between the front and rear ends, first and second laterally opposed sides, a dirty air inlet and a surface cleaning head air outlet. An upright section may be moveably mounted to the surface cleaning head between a generally upright position and a rearwardly inclined in use position. The upright section may include a cleaning unit having a carry handle, an air treatment member assembly having an air treatment member, and a suction motor. The air treatment member assembly may have an upper end, a front side and a rear side and first and second opposed lateral sides. The carry handle may extend in a direction transverse to the central longitudinal axis. The carry handle may have a hand grip portion that has a length in the transverse direction that is greater than a depth of the cleaning unit in a direction of the central longitudinal axis.

21

The carry handle may be provided on the upper end of the air treatment member assembly.

The carry handle may overlie the upper end of the air treatment member assembly and may be positioned between the front and rear sides of the air treatment member assembly.

The air treatment member assembly may be removable from the upright section.

The cleaning unit may include a suction motor housing and the air treatment member assembly is removably mounted to an upper end of the suction motor housing.

A push handle may include a longitudinally extending member having a longitudinally extending drive axis and a hand grip portion provided at an upper end of the longitudinally extending member. A lower end of the longitudinally extending member may be pivotally mounted to the cleaning unit by a pivot joint. The pivot joint may be located above the carry handle when the cleaning unit is in the upright position. The longitudinally extending member may be positioned between the front and rear sides of the air treatment member assembly.

A push handle may include an upper and lower longitudinally extending members, the upper longitudinally extending member having a longitudinally extending drive axis and a hand grip portion provided at an upper end of the upper longitudinally extending member. The lower longitudinally extending member may have a pivot joint provided at an upper end of the lower longitudinally extending member. The pivot joint is located above the carry handle when the upright section is in the upright position. The longitudinally extending member may be positioned between the front and rear sides of the air treatment member assembly.

A length of the carry handle in the transverse direction may be greater than twice the depth of the cleaning unit in the direction of the central longitudinal axis.

In accordance with this aspect, an upright surface cleaning apparatus may include a surface cleaning head having a front end, a rear end, a central longitudinal axis extending between the front and rear ends, first and second laterally opposed sides, a dirty air inlet and a surface cleaning head air outlet. A cleaning unit may be moveably mounted to the surface cleaning head between a generally upright position and a rearwardly inclined in use position. The cleaning unit may include a carry handle, an air treatment member assembly comprising an air treatment member, and a suction motor. The air treatment member assembly may have an upper end, a front side and a rear side and first and second opposed lateral sides. A push handle may have a first longitudinally extending member having a longitudinally extending drive axis and a hand grip portion provided at an upper end of the first longitudinally extending member. A lower end of the first longitudinally extending member may be rotatably mounted with respect to the cleaning unit at a location above the carry handle when the upright section is in the upright position wherein the upper end of the first longitudinally extending member is rotatable forwardly.

The first longitudinally extending member may be positioned between the front and rear sides of the air treatment member assembly.

The push handle further may include a second longitudinally extending member. The first and second longitudinally extending members may be telescopically mounted with respect to each other. A rotational joint may be provided on the second longitudinally extending member and the lower end of the first longitudinally extending member may be slidably receivable in the rotational joint. The rotational joint

22

may be in a locked position when the lower end of the first longitudinally extending member is received in the rotational joint.

The carry handle may be provided on the upper end of the air treatment member assembly, and may overlie the upper end of the air treatment member assembly.

The carry handle may be positioned between the front and rear sides of the air treatment member assembly.

The air treatment member assembly may be removable from the cleaning unit.

The cleaning unit may include a suction motor housing and the air treatment member assembly may be removably mounted to an upper end of the suction motor housing.

The carry handle may extend in a direction transverse to the central longitudinal axis. The carry handle may have a hand grip portion that has a length in the transverse direction that is greater than a depth of the cleaning unit in a direction of the central longitudinal axis.

The location at which the lower end of the first longitudinally extending member is rotatably mounted with respect to the cleaning unit may overlie the carry handle when the upright section is in the upright position.

In accordance with another aspect of this disclosure, an upright surface cleaning apparatus is provided with a push handle that is rotatably mounted with respect to the cleaning unit about a rotational joint located above the air treatment member and a flexible conduit is vertically spaced with respect to the rotational joint. An advantage of this design is that the hose and rotational joint do not increase the depth of the upper section.

In accordance with this aspect, there is provided an upright surface cleaning apparatus that may include a surface cleaning head having a front end, a rear end, a central longitudinal axis extending between the front and rear ends, first and second laterally opposed sides, a dirty air inlet and a surface cleaning head air outlet. A cleaning unit may be moveably mounted to the surface cleaning head between a generally upright position and a rearwardly inclined in use position. The cleaning unit may include an air treatment member assembly, having an air treatment member, and a suction motor. The air treatment member may have an upper end, a front side and a rear side and first and second opposed lateral sides. A push handle may include a first longitudinally extending member having a longitudinally extending drive axis and a hand grip portion provided at an upper end of the longitudinally extending member, a lower end of the longitudinally extending member is rotatably mounted with respect to the cleaning unit about a rotational joint located above the air treatment member assembly when the cleaning unit is in the upright position. An above floor cleaning assembly may include a flexible conduit having an inlet end and an outlet end. In a floor cleaning mode a first portion of the flexible conduit having the outlet end may be located on the second lateral side of the air treatment member and a second transverse portion of the flexible conduit may extend from the second lateral side of the air treatment member over the upper end of the air treatment member to the first lateral side of the air treatment member wherein the second transverse portion is vertically spaced from the rotational joint.

In the floor cleaning mode, the second transverse portion may be positioned above the rotational joint, and/or may be positioned rearward of the rotational joint.

The air treatment member assembly may include a dirt collection region that is located on the second lateral side of the air treatment member and in the floor cleaning mode the first portion of the flexible conduit may be located behind the second dirt collection region.

23

The air treatment member may have a depth in a direction of the central longitudinal axis that is greater than a depth of the dirt collection region in a direction of the central longitudinal axis.

A transverse plane that extends transverse to the central longitudinal axis may extend through the air treatment member and the first portion of the flexible conduit.

The drive axis may extend through the air treatment member assembly.

In the floor cleaning mode, the second transverse portion may be positioned above the rotational joint and/or may be positioned rearward of the rotational joint.

The above floor cleaning assembly may include a rigid conduit and the air treatment member assembly may include a first dirt collection region that is located on the first lateral side of the air treatment member and a second dirt collection region that is located on the second lateral side of the air treatment member. In the floor cleaning mode, the rigid conduit may be located behind the first dirt collection region and the first portion of the flexible conduit may be located behind the second dirt collection region.

The air treatment member may have a depth in a direction of the central longitudinal axis that is greater than a depth of the first dirt collection region and greater than a depth of the second dirt collection region in a direction of the central longitudinal axis.

A transverse plane that may extend transverse to the central longitudinal axis extends through the air treatment member, the first portion of the flexible conduit and the rigid conduit.

The drive axis may extend through the air treatment member assembly.

In the floor cleaning mode, the second transverse portion is positioned above the rotational joint and/or may be positioned rearward of the rotational joint.

The push handle may be mounted to the upright section.

The push handle may include a second longitudinally extending member. The first and second longitudinally extending members may be telescopically mounted with respect to each other. A rotational joint may be provided on the second longitudinally extending member and the lower end of the first longitudinally extending member may be slidably receivable in the rotational joint. The rotational joint may be in a locked position when the lower end of the first longitudinally extending member is received in the rotational joint.

#### BRIEF DESCRIPTION OF THE DRAWINGS

The drawings included herewith are for illustrating various examples of articles, methods, and apparatuses of the teaching of the present specification and are not intended to limit the scope of what is taught in any way.

In the drawings:

FIG. 1 is a front perspective view of one embodiment of a surface cleaning apparatus;

FIG. 2 is a rear perspective view of the surface cleaning apparatus of FIG. 1;

FIG. 2A is a rear perspective view of the surface cleaning apparatus of FIG. 1, in an above floor cleaning mode;

FIG. 2B is a rear perspective view of the surface cleaning apparatus of FIG. 1, with the air treatment member assembly, hose and wand removed;

FIG. 2C is a perspective view from the rear and above of a cross-sectional of the surface cleaning apparatus of FIG. 2B, taken along line 2D-2D;

24

FIG. 2D is a top plan cross-sectional view of a portion of the surface cleaning apparatus of FIG. 2B, taken along line 2D-2D;

FIG. 2E is a perspective view from the rear and above of the cross-sectional view of FIG. 2D, with the air treatment member assembly attached;

FIG. 3 is a front elevation view of the surface cleaning apparatus of FIG. 1;

FIG. 4 is a top plan view of the surface cleaning apparatus of FIG. 1;

FIG. 5 is a left side view of the surface cleaning apparatus of FIG. 1;

FIG. 6 is a rear elevation view of the surface cleaning apparatus of FIG. 1;

FIG. 7 is a cross-sectional view of a portion of the surface cleaning apparatus of FIG. 1, taken along line 7-7 in FIG. 4;

FIG. 8 is a cross-sectional view of a portion of the surface cleaning apparatus of FIG. 1, taken along line 8-8 in FIG. 4;

FIG. 9 is a front perspective view of the surface cleaning apparatus of FIG. 1 with the air treatment member assembly removed;

FIG. 10 is a front perspective view of the surface cleaning apparatus of FIG. 1, with the air treatment member assembly removed and a bottom emptying door in the open position;

FIG. 11 is a front perspective view of the surface cleaning apparatus of FIG. 1, with the air treatment member assembly removed and the lid of the air treatment member assembly in an open position;

FIG. 12 is a side view of the surface cleaning apparatus of FIG. 1, in a low profile floor cleaning mode;

FIG. 13 is a perspective view of the surface cleaning apparatus of FIG. 1, in the low profile floor cleaning mode;

FIG. 14 is a front perspective view of the surface cleaning apparatus of FIG. 1, with the handle in a storage position;

FIG. 15 is a side view of the surface cleaning apparatus of FIG. 14;

FIG. 16 is a front perspective view of the surface cleaning apparatus of FIG. 1, with the handle in another storage position;

FIG. 17 is a side view of the surface cleaning apparatus of FIG. 16;

FIG. 18 is a cross-sectional view of a portion of the surface cleaning apparatus of FIG. 1, taken along line 18-18 in FIG. 3;

FIG. 19 is a cross-sectional view of a portion of the surface cleaning apparatus of FIG. 1, taken along line 19-19 in FIG. 3;

FIG. 20 is a cross-sectional view of a portion of the surface cleaning apparatus of FIG. 1, taken along line 20-20 in FIG. 3;

FIG. 21 is a cross-sectional view of the surface cleaning apparatus of FIG. 1, taken along line 21-21 in FIG. 3;

FIG. 22 is a top perspective view of a portion of the air treatment member assembly with the lid removed;

FIG. 23 is a partially cut-away perspective view of the portion of the air treatment member assembly of FIG. 22;

FIG. 24 is a top view of the portion of the air treatment member assembly of FIG. 22;

FIG. 25 is a partially exploded front perspective view of the surface cleaning apparatus of FIG. 1, with the air treatment member assembly and pre-motor filters removed;

FIGS. 26 and 27 are front and rear perspective views of another embodiment of a surface cleaning apparatus;

FIGS. 28 and 29 are front and rear perspective views of the surface cleaning apparatus of FIGS. 26 and 27, with a handle in a storage position;

25

FIG. 30 is a cross-sectional view of a cleaning unit of another embodiment of a surface cleaning apparatus;

FIG. 31 is a cross-sectional view of a cleaning unit of another embodiment of a surface cleaning apparatus;

FIG. 32 is a partially cut-away perspective view of a portion of the surface cleaning apparatus of FIG. 31;

FIG. 33 is a top perspective view of the portion of the cleaning unit of FIG. 31;

FIG. 34 is a cross-sectional view of a cleaning unit of another embodiment of a surface cleaning apparatus;

FIGS. 35 to 37 are cross-sectional views of different embodiments of an air treatment member assembly for use with a surface cleaning apparatus;

FIGS. 39-41 are top perspective views of different embodiments of an air treatment member assembly for use with a surface cleaning apparatus;

FIG. 42 is rear perspective view of another embodiment of a surface cleaning apparatus with an above floor cleaning hose being installed;

FIG. 43 is a rear perspective view of the surface cleaning apparatus of FIG. 42, in an above floor cleaning mode;

FIG. 44 is a rear elevation view of the surface cleaning apparatus of FIG. 42, in an above floor cleaning mode;

FIG. 45 is a cross-sectional view of the surface cleaning apparatus of FIG. 42, taken along line 45-45 in FIG. 44;

FIG. 46 is a cross-sectional view of the surface cleaning apparatus of FIG. 42, taken along line 46-46 in FIG. 44;

FIG. 47 is a cross-sectional view of the surface cleaning apparatus of FIG. 42, taken along line 47-47 in FIG. 43;

FIG. 48 is a cross-sectional view of the surface cleaning apparatus of FIG. 42, taken along line 48-48 in FIG. 42;

FIG. 49 is a front perspective view of another embodiment of a surface cleaning apparatus;

FIG. 50 is a rear perspective view of the surface cleaning apparatus of FIG. 49;

FIG. 51 is a rear perspective view of the surface cleaning apparatus of FIG. 49, with portions of the upright section removed;

FIG. 52 is a cross-sectional view of the surface cleaning apparatus of FIG. 49, taken along line 52-52 in FIG. 50;

FIGS. 53 and 54 are front and rear perspective views of another embodiment of a surface cleaning apparatus;

FIG. 55 is a front perspective view of the surface cleaning apparatus of FIG. 53, with a handle in a storage position;

FIG. 56 is a cross-sectional view of a portion of the surface cleaning apparatus of FIG. 53, taken along line 55-55 in FIG. 54 with a latch in a first position;

FIG. 57 is the cross-sectional view of FIG. 56, with the latch in a second position;

FIG. 58 is a schematic illustration of another embodiment of a surface cleaning head for use with a surface cleaning apparatus;

FIG. 59 is a schematic illustration of another embodiment of a surface cleaning head for use with a surface cleaning apparatus;

FIG. 60 is a top view of another embodiment of a surface cleaning apparatus with wheels in a first position

FIG. 61 is the top view of FIG. 60, with the wheels in a second position;

FIG. 62 is a schematic illustration of wheels for use with a surface cleaning apparatus in a first position;

FIG. 63 is a schematic illustration of wheels for use with a surface cleaning apparatus in a first position;

FIG. 64 is a perspective view of a portion of another embodiment of a surface cleaning apparatus;

26

FIG. 65 is a cross-sectional view of the portion of the surface cleaning apparatus of FIG. 64, taken along line 65-65;

FIG. 66 is a perspective view of the portion of the surface cleaning apparatus of FIG. 64, with the handle in a second position;

FIG. 67 is a cross-sectional view of the portion of the surface cleaning apparatus of FIG. 66, taken along line 67-67;

FIG. 68 is a perspective view of the portion of the surface cleaning apparatus of FIG. 64, with the handle in a third position;

FIG. 69 is a cross-sectional view of the portion of the surface cleaning apparatus of FIG. 68, taken along line 69-69;

FIG. 70 is a perspective view of the portion of the surface cleaning apparatus of FIG. 64, with the handle in a fourth position;

FIG. 71 is a cross-sectional view of the portion of the surface cleaning apparatus of FIG. 70, taken along line 71-71;

FIG. 72 is a front perspective view of another embodiment of a surface cleaning apparatus;

FIG. 73 is a cross-sectional view of a portion of the surface cleaning apparatus of FIG. 72, taken along line 73-73;

FIG. 74 is the cross-sectional view of FIG. 73, with the handle in a second position;

FIG. 75 is the cross-sectional view of FIG. 73, with the handle in a third position;

FIG. 76 is the cross-sectional view of FIG. 73, with the handle in a fourth position;

FIG. 77 is perspective view from above of another embodiment of an air treatment member assembly for use with a surface cleaning apparatus, with an upper door removed;

FIG. 78 is a perspective view of a cross-section of the air treatment member assembly of FIG. 77, taken along line 78-78;

FIG. 79 is a side elevation view of the cross-section of the air treatment member assembly of FIG. 78;

FIG. 80 is a partial-cut away of the perspective view of the air treatment member assembly of FIG. 77;

FIG. 81 is the partial cut-away view of FIG. 80, with an upper door in place;

FIG. 82 is a top plan view of the air treatment member assembly of FIG. 77;

FIG. 83 is a bottom perspective view of the air treatment member assembly of FIG. 77, with the lower door removed;

FIG. 84 is a rear perspective view of the air treatment member assembly of FIG. 77, with upper and lower doors open; and,

FIG. 85 is a cross-sectional view of the air treatment member assembly of FIG. 77, with upper and lower doors open.

#### DETAILED DESCRIPTION

Various apparatuses or processes will be described below to provide an example of an embodiment of each claimed invention. No embodiment described below limits any claimed invention and any claimed invention may cover processes or apparatuses that differ from those described below. The claimed inventions are not limited to apparatuses or processes having all of the features of any one apparatus or process described below or to features common to multiple or all of the apparatuses described below. It is possible

that an apparatus or process described below is not an embodiment of any claimed invention. Any invention disclosed in an apparatus or process described below that is not claimed in this document may be the subject matter of another protective instrument, for example, a continuing patent application, and the applicants, inventors or owners do not intend to abandon, disclaim or dedicate to the public any such invention by its disclosure in this document.

The terms “an embodiment,” “embodiment,” “embodiments,” “the embodiment,” “the embodiments,” “one or more embodiments,” “some embodiments,” and “one embodiment” mean “one or more (but not all) embodiments of the present invention(s),” unless expressly specified otherwise.

The terms “including,” “comprising” and variations thereof mean “including but not limited to,” unless expressly specified otherwise. A listing of items does not imply that any or all of the items are mutually exclusive, unless expressly specified otherwise. The terms “a,” “an” and “the” mean “one or more,” unless expressly specified otherwise.

As used herein and in the claims, two or more parts are said to be “coupled,” “connected,” “attached,” or “fastened” where the parts are joined or operate together either directly or indirectly (i.e., through one or more intermediate parts), so long as a link occurs. As used herein and in the claims, two or more parts are said to be “directly coupled,” “directly connected,” “directly attached,” or “directly fastened” where the parts are connected in physical contact with each other. As used herein, two or more parts are said to be “rigidly coupled,” “rigidly connected,” “rigidly attached,” or “rigidly fastened” where the parts are coupled so as to move as one while maintaining a constant orientation relative to each other. None of the terms “coupled,” “connected,” “attached,” and “fastened” distinguish the manner in which two or more parts are joined together.

#### General Description of a Vacuum Cleaner

Referring to FIGS. 1 to 13, a first embodiment of a surface cleaning apparatus 100 is shown. The following is a general discussion of this embodiment which provides a basis for understanding several of the features which are discussed herein. As discussed in detail subsequently, each of the features may be used in other embodiments.

In the embodiment illustrated, the surface cleaning apparatus 100 is an upright-style vacuum cleaner. Optionally, the surface cleaning apparatus incorporating some or all of the features described herein could alternatively be configured as another suitable type of surface cleaning apparatus, including, for example, an extractor, a stick vac, a wet-dry vacuum cleaner and the like.

In this embodiment, the surface cleaning apparatus 100 includes an upright section 102 that is movably and drivably connected to a surface cleaning head 104, such that the upright section 102 is movable between an upright position (FIG. 1), such as for storage and optionally when in an above floor cleaning mode, and one or more inclined positions (FIGS. 12 and 13), such as for when the apparatus 100 is operated in a floor cleaning mode to clean floors or other such surfaces. Optionally, the apparatus 100 may be operable in an inclined, upright-style floor cleaning mode as well as a low profile floor cleaning mode (FIGS. 12 and 13), during which some or all of the upright section 102 may be maneuvered underneath relatively low objects, such as furniture.

The surface cleaning apparatus 100 also includes at least one dirty air inlet 106 (FIG. 1), at least one clean air outlet 108 and an air flow path or passage extending therebetween. The air flow path may include any suitable combination of

air flow conduits, chambers and the like, and may include rigid conduits, flexible conduits (such as hoses) and a combination of rigid and flexible conduits. Optionally, the air flow path may be at least partially reconfigurable, such that two or more dirty air inlets can be connected to the air flow path. In such configurations, the two or more dirty air inlets may be connected to the air flow path in parallel and accessible independently of each other (e.g., each may be used in different cleaning modes).

Referring to FIGS. 1 and 7, the upright section 102 has a cleaning unit 130 that includes at least one air treatment member assembly 110, for removing dirt and/or debris from the air flow, and at least one suction motor 112, for generating the vacuum air flow, are positioned in the air flow path, between the at least one dirty air inlet 106 and the at least one clean air outlet 108. The air treatment member assembly 110 may be any suitable apparatus, and preferably includes an air treatment member 114 and a dirt collection region 116, that may be either inside the air treatment member 114 or external the air treatment member 114 as illustrated. Some examples of air treatment members may include, for example, one or more cyclones, filters, and bags, and preferably the at least one air treatment member is provided upstream from the suction motor. The dirt collection region or regions are preferably exterior to and laterally spaced from the air treatment member. Preferably, the air treatment member 114 and/or dirt collection region 116 may be removable from the upright section 102 for emptying and/or maintenance (FIGS. 10 and 11). The suction motor 112 may be housed in a motor housing portion 118, which in the illustrated embodiment is located beneath the air treatment member assembly 110. Optionally, the suction motor 112 may be positioned directly beneath the air treatment member 114, such that the air treatment member 114 (or optionally only portions thereof) overlie at least a portion of the suction motor 112, and preferably the entire suction motor 112 may be positioned directly beneath air treatment member 114. This stacked arrangement may help reduce the overall size of the upright section.

Optionally, one or more pre-motor filters 120 may be provided in the air flow path between the air treatment member 114 and the suction motor 112, and/or one or more post-motor filters 122 may be provided in the air flow path downstream from the suction motor 112 and preferably upstream from the clean air outlet 108. The pre-motor filter 120 and post-motor filter 122 may each be any suitable type of filter, including a physical, porous media type filter such as foam or felt, and optionally may include a HEPA filter.

The apparatus 100 also includes a push handle 124 (FIG. 1) that can be used by a user to drive and maneuver the surface cleaning apparatus 100. The handle 124 may be of any suitable configuration, and in the illustrated embodiment includes an elongate extension member 126 that has a lower end 128 that may be connected to the cleaning unit 130, a support for the cleaning unit or optionally to the air treatment member assembly 110, and an upper end 132 that is spaced apart from the lower end along a handle axis 134, which defines a drive axis of the apparatus 100 when in the upright floor cleaning mode. A hand grip portion 136 that can be grasped by the user may also be provided, and in the illustrated embodiment is located at the upper end 132 of the extension member 126 and forms the upper most portion of the handle 124 (see also FIG. 5). Optionally, the surface cleaning apparatus 100 may be configured so that the upper most portion of the handle 124, i.e. the handgrip portion 136, is at a generally comfortable height 138 (FIG. 5) for an average user, and may be positioned between about 36-48,

40-48 or 42-48 inches above the ground when the apparatus **100** is in the upright position. Optionally, the handle **124** may be adjustable, such that the height **138** can be modified. For example, the extension member **126** may be extendible to help provide a desired combination of comfortable heights **138** in both the low profile mode and the upright mode. For example, providing an extendible extension member **126** may allow the height **138** in the upright position to be in a desired range, and may then allow the extension member **126** to be extended to help increase the height **138** between the floor and hand grip **136** in the low profile mode to a desired range (or contracted). The extension of the extension member **126** may be achieved using any suitable mechanism, including configuring the extension member as a telescoping member. In such configurations, the distance between the hand grip and the pivot joint of the handle may be adjusted (see FIGS. **64-71**).

#### Surface Cleaning Head

The following is a description of a surface cleaning head that may be used by itself in any surface cleaning apparatus or in any combination or sub-combination with any other feature or features described herein. For example, any surface cleaning head described herein may be used with any one or more of the moveable wheels, upright section, air treatment member assemblies, carry handles, cyclone configurations, dirt collection chambers, pre-motor filters, suction motors, post-motor filters, cleaning unit air flow ducts, above floor cleaning assemblies, low profile floor cleaning mode, bendable handle, adjustable handles, hose wraps and other features described herein.

In accordance with this embodiment, the surface cleaning head is configured to have a low profile (e.g., it may have a vertical height of less than 6 inches, and more preferably is less than about 4 inches and may be less than 3 inches). Accordingly, the upper and lower surfaces of the surface cleaning head may be generally planar (horizontal) and the suction motor may be provided in the upright section. Rear wheels may be provided which have a large diameter (e.g., larger than or the same height as the surface cleaning head) to enhance stability of the surface cleaning apparatus when in the upright position.

Referring to FIGS. **1, 2, 4** and **5**, in the illustrated embodiment, the surface cleaning head **104** has a front end **140**, a rear end **142** spaced apart from the front end along central longitudinal axis **144**, and laterally spaced apart sides **146**. The surface cleaning head **104** is rollable across the floor or surface to be cleaned in a generally forward/rearward direction that is parallel to the longitudinal axis **144**, and may also be steerable, e.g., by a steering coupling that connects the push handle/upper section to the surface cleaning head, such that the surface cleaning apparatus **100** is not limited to only linear, forward/rearward movements.

The surface cleaning head **104** also has an upper surface **148** and an opposed lower surface **150** that faces the floor to be cleaned. The upper and lower surfaces **148** and **150** may have any suitable configuration, and in the present embodiment are each optionally configured as substantially flat, planar surfaces. The upper surface **148** lies generally in an upper plane **152**, and the lower surface **150** lies generally in a lower plane **154**. A vertical distance between the upper and lower planes/surfaces defines a surface cleaning head height **156** (FIG. **5**). The height **156** may be any suitable height, and preferably is less than 6 inches, and more preferably is less than about 4 inches and may be less than 3 inches.

The downward facing dirty air inlet **106** is provided in the lower surface **150**, and may be positioned toward the front end **140**. Main wheels **158** are provided at the rear end **142**

of the surface cleaning head **104**, and are rotatable about a laterally oriented rotation axis **160** (FIG. **2**). The wheels **158** may have any suitable diameter **162**, which may be greater than or about the vertical height **156** of the surface cleaning head **104**. The rotation axis **160** of the wheels **158** may be offset from the front end **140** of the surface cleaning head **104** by an offset distance **164** (FIG. **5**). This distance may be any suitable distance, and may be selected so that (as illustrated) the wheels **158** extend rearwardly beyond the rear end **142** of the surface cleaning head **104**. This may help stabilize the apparatus **100** when in the upright position. This may also help enhance maneuverability of the apparatus **100** when in use. Optionally, as illustrated in these embodiments, the wheels **158** may be positioned such that the rotation axis **160** is positioned below the cleaning unit **130** when the upright section **102** is in the upright, storage position (FIG. **5**). In this configuration, the rotation axis **160** underlies the suction motor **112** and portions of the air treatment member assembly **110**, including the cyclone chamber **188** and dirt collection chamber **190** (see also FIG. **21**). This may help improve the stability of the apparatus **100** when in the storage position.

In addition to the main wheels **158**, the surface cleaning head **104** may include one or more additional wheels to help rollingly support the surface cleaning head **104**, and the rest of the apparatus **100**, above the floor. For example, smaller front wheels may be provided on the lower surface **150**, toward the front end **140**.

Optionally, the surface cleaning head **104** may include a rotating agitating member, such as a brush **168** and the like, positioned at the dirty air inlet **106** to help dislodge debris from the surface being cleaned (FIG. **21**). The agitating member may be any known in the art (e.g., a rotatable brush) and may be driven by an electric motor (optionally positioned within the surface cleaning head **104**), an air powered turbine or other suitable mechanism as is known in the art.

The surface cleaning head **104** may be used with a variety of differently configured upright sections **102**, including, for example, the embodiments illustrated in FIGS. **42-48** and **49-52**. Similarly, a surface cleaning head having a different configuration than the embodiment shown may be used in combination with any of upright sections described herein.

It will be appreciated that, as exemplified, the suction motor may be provided in the upper section. Therefore the height of the surface cleaning head may be reduced as it need not include a suction motor, thereby permitting the height of the surface cleaning head to be reduced and to thereby increase the ability of the surface cleaning head to extend under furniture having a small ground clearance.

#### Moveable Wheels

The following is a description of moveable wheels that may be used by itself in any surface cleaning apparatus or in any combination or sub-combination with any other feature or features described herein. For example, the movable wheels described herein may be used with any one or more of the surface cleaning head, upright section, air treatment member assemblies, carry handles, cyclone configurations, dirt collection chambers, pre-motor filters, suction motors, post-motor filters, cleaning unit air flow ducts, above floor cleaning assemblies, low profile floor cleaning mode, bendable handle, adjustable handles, hose wraps and other features described herein.

In accordance with this aspect, the surface cleaning head may have rear wheels that are moveable in the rearward forward/direction and/or the lateral direction. The movement may be automatic upon reconfiguring the surface cleaning apparatus between different operating positions.

For example, the rear wheels may be extended when the upright section is placed in a storage position so as to enhance stability. Alternately or in addition, the rear wheels may be moved laterally inwardly in the floor cleaning position so as to enhance maneuverability.

Optionally, the offset distance **164** may be variable and/or adjustable (automatically as the configuration and/or operating mode of apparatus **100** is adjusted, or manually by a user, or a combination of both). In such embodiments, the wheels **158** may be in one location when the upright section **102** is in the upright configuration and a different position when the upright section **102** is in the use configuration. Optionally, the wheels **158** may be moved in the forward/rearward direction (thereby changing the offset distance **164**) and/or the lateral spacing between the rear wheels may also be adjusted. This may allow the wheel position, balance and/or handling of the apparatus **100** to be adjusted.

Accordingly, the rear wheels may be biased to a forward position and the upper section may be drivably connected to the rear wheels so as to move the rear wheels rearward when the upper section is moved to the upright configuration. Alternately, the rear wheels may be biased to a rearward position and the upper section may be drivably connected to the rear wheels so as to move the rear wheels forward when the upper section is moved to the inclined floor cleaning position.

For example, referring to FIG. **58**, one embodiment of a wheel deployment mechanism is schematically illustrated. In this embodiment, the axle **170** supporting the rear wheel **158** is translatable in the forward/rearward direction (for example slidable within a slot). A linkage **172** between the upright section **102** and the axle **170** is provided, such that moving the upright section **102** relative to the surface cleaning head **104** translates the axle **170** in the forward/rearward direction. As illustrated, when the upright section **102** is moved into the upright position, a rod **174** is driven backwards and pushes the axle **170** rearward. This may increase the stability of the apparatus **100** when the upright section **102** is in the upright position. When the upright section **102** pivots to the inclined floor cleaning position, the rod **174** is pulled forwardly and/or may be moved forwardly by a biasing member **176** (e.g., the rod may be biased to the forward position by a spring or the like). This may enable axle **170** to move forwardly. Moving the rear wheels forwardly may increase the maneuverability of the surface cleaning head **104** when a push handle is used to drive the surface cleaning head.

An alternative embodiment of a linkage **172** is illustrated in FIG. **59**, in which gear teeth **178** on the upright section **102** engage complimentary teeth on a linkage rod **174** and urge it backward when the upright section **102** is in the upright position. When the upright section **102** is inclined, the teeth **178** disengage, and a biasing spring **176** urges the axle **170** forwardly. In an alternate embodiment, it will be appreciated that the teeth **178** may drive rod both forward and rearward without any biasing member being required.

Alternatively, instead of being linked to movement of the upright section **102**, the apparatus may be manually adjustable by a user, such that a user can manually select the forward/rearward position of the wheels **158**.

FIGS. **60-63** schematically illustrate an example of an apparatus **100** that can adjust the lateral spacing **180** of the rear wheels **158**, from a relative narrow spacing (FIG. **60**) to a relatively wider spacing (FIG. **61**). This may also optionally be used in combination with the mechanisms for adjusting the forward/rearward position of the wheels. As illustrated in FIGS. **62** and **63**, the wheels **158** may be supported

on threaded sleeves **182** that can threadably engage a threaded axle **170**. Rotating the sleeves **182** and axles **170** relative to each other causes the sleeves **182** to translate axially along the axis **160**, thereby changing the lateral wheel spacing **180**. The axle **170** may be rotated using any suitable mechanism, including providing teeth **184** on the axle **170** and using a driving member **186** associated with the upright section **102** for engaging the teeth **184**. The driving member **186** may be independently operable, or may be linked to the movement of the upright section **102** relative to the surface cleaning head **104**. The wheels **158** may be configured to be moveable only in the lateral direction, only in the forward rearward direction, a combination of both types of movement and/or need not be movable at all.

#### Upright Section

The following is a description of an upright section that may be used by itself in any surface cleaning apparatus or in any combination or sub-combination with any other feature or features described herein. For example, the upright section described herein may be used with any one or more of the surface cleaning head, moveable wheels, air treatment member assemblies, carry handles, cyclone configurations, dirt collection chambers, pre-motor filters, suction motors, post-motor filters, cleaning unit air flow ducts, above floor cleaning assemblies, low profile floor cleaning mode, bendable handle, adjustable handles, hose wraps and other features described herein.

In accordance with this aspect, the components of the upright section may be arranged to reduce the depth (front to back) of the upright section. It will be appreciated that if the upright section includes a bendable wand such that the surface cleaning apparatus may be reconfigured into the low profile floor cleaning mode of FIG. **12**, then the depth of the handle does not affect the extent to which the upright section below the bendable portion of the handle can extend under furniture. In such a case, the components of the upright section may be arranged to reduce the depth (front to back) of the cleaning unit. For example, the dirt collection region may be positioned such that it is not located in front of the air treatment member. Alternately or in addition, the dirt collection region may be positioned such that it is not located behind the air treatment member. For example, as exemplified in FIG. **18**, the dirt collection regions are positioned such that the depth of the air treatment member is the diameter of the cyclone chamber. The dirt collection regions are exemplified as having a greater lateral extent than depth such that they have a rear side that is recessed inwardly (forwardly) compared to the rearward extent of the cyclone chamber. Recessing the rearward side of the dirt collection regions inwardly provides, as exemplified, two recesses in which air flow passages, accessory tools or the like may be positioned. If the components positioned in the recesses do not extend rearward of the rearward extent of the cyclone chamber, then the maximum depth of the upright section that houses the cleaning unit may be the depth of cyclone chamber (i.e. the air treatment member). If the components positioned in the recesses do extend rearward of the rearward extent of the cyclone chamber, then the maximum depth of the upright section that houses the cleaning unit will increase but will still be reduced due to the recessing of the rearward side of the dirt collection regions.

It will be appreciated that some of the dirt collection regions may be forward and/or rearward of the air treatment member however this amount is preferably minimized. For example, at least 60%, 70%, 80%, 90% or more of the dirt collection regions is laterally spaced from the air treatment member. It will also be appreciated that the shapes of the dirt

collection regions may be varied but still provide one or more recesses for receiving components of the surface cleaning apparatus.

In the illustrated embodiments (see FIGS. 1-25, 26-29, 42-48, 49-52 and 53-57, the upright section 102 includes a cleaning unit 130 and a push handle 124. The cleaning unit 130 includes the air treatment member assembly 110, which is exemplified as a cyclone bin assembly. It will be appreciated that any other air treatment member known in the surface cleaning arts may be used. Referring to FIGS. 7, 8, 22, 30, 34, 35-41, 45, 52 and 77-85 examples of cyclone bin assemblies wherein the air treatment member 114 is in the form of one or more cyclonic cleaning stages. Each cyclonic cleaning stage may comprise one or more cyclones in parallel. As exemplified, each cyclonic cleaning stage may comprise a single cyclone. Accordingly, there may be a single cyclonic cleaning stage comprising a single cyclone chamber 188, or two cyclonic cleaning stages, with the first stage comprising a single cyclone chamber 188 and the second cyclonic cleaning stage comprising second cyclone chamber 188a. Each cyclonic cleaning stage may comprise an external dirt collection chamber. As exemplified, the first cyclonic cleaning stage comprises a dirt collection region 116 in the form of a dirt collection chamber 190 that is external to and in communication with the cyclone chamber 188, and the second cyclonic cleaning stage comprises a second dirt collection chamber 190a that is external to and in communication with the second cyclone chamber 188a, and is optionally be isolated from the dirt collection chamber 190.

The cleaning unit 130 may also include one or more of a lower housing 192 that houses the pre-motor filter 120 in a pre-motor filter chamber 194, the suction motor 112 in a motor housing portion and an optional post-motor filter 122 in a post-motor filter chamber 196. The cleaning unit 130 may also include the clean air outlet(s) 108.

In these embodiments, the lower housing 192 is vertically aligned with the air treatment member and is exemplified as being positioned beneath the air treatment member assembly 110, and underlies the air treatment member assembly 110. It will be appreciated that in alternate embodiments, housing 192 may be positioned above and overlying the cleaning unit 130.

As exemplified, the suction motor 112 is positioned below the air treatment member assembly 110. It will be appreciated that the suction motor 112 may be positioned below and underlie some or all of the cyclone chamber 188, the dirt collection chamber 190 or some or all of both the cyclone chamber 188 and the dirt collection chamber 190.

As exemplified in FIGS. 2E, 4, 11 and 20, the cleaning unit 130 has a low-profile, slab-like configuration. In this embodiment, the cleaning unit 130 has a generally flat front face that defines a front plane 198 (FIG. 5), and a rear face that is bounded by rear plane 200. In the illustrated example, the rear plane 200 is generally parallel to and offset from the front plane 198. The planes 198 and 200 are spaced apart from each other in the forward/rearward direction by a cleaning unit depth 201, which in the illustrated embodiments is the maximum depth of the cleaning unit 130, and the maximum depth of the portions of the upright section 102 that are likely to be moved beneath furniture or other obstacles. In addition to the front and rear faces, the cleaning unit has opposing side faces 203 that are, in the illustrated embodiment, generally planar and lie in planes 202 (FIG. 3) that are generally parallel to each other and orthogonal to the front and rear planes 198, 200.

Optionally, the air treatment member assembly 110 may also be configured to have a low-profile, slab like configuration. Referring to FIGS. 11 and 22, in this embodiment, air treatment member assembly 110 has a generally flat front face 242 (see also FIGS. 9-11 and 22) which lies in the front plane 198 when the air treatment member assembly 110 is mounted on the cleaning unit 130. The air treatment member assembly 110 also has a rear face 246 that is formed by a centrally positioned cyclone chamber 188 and a dirt collection region 116 on each lateral side thereof. In this embodiment, a rear plane 199 (FIGS. 18 and 22) is located forward of the rearward extent of the cleaning unit 130 but may alternately be located at or essentially at plane 200. In this case rear plane 199 is at the rearward extent of the cyclone chamber 188, and is generally parallel to and offset from the front face 242 and front plane 198. The front face 242 and rear plane 199 are spaced apart from each other in the forward/rearward direction by an air treatment member assembly depth 256, which in the illustrated embodiments is the maximum depth of the cyclone chamber 188. In addition to the front 242 and rear faces 246, the cleaning unit has opposing side faces 248 (FIG. 22) that are, in the illustrated embodiment, generally planar and lie in planes 202 when the air treatment member assembly 110 is mounted to the cleaning unit. The side faces 248 are illustrated as being generally orthogonal to the front face 242, but may have other configurations.

As exemplified in FIGS. 11 and 22, the cyclone chamber 188 may extend rearwardly of dirt collection regions 116, so as to define a generally rounded protrusion 247 extending in the direction of cleaning unit axis 204, which may also define an air treatment member assembly axis. Accordingly, the first and second laterally opposed sides 248 and the front side 242 of the air treatment member assembly 110 are generally rectangular in top plan view when the upright section is in the upright position. Alternately, or in addition, the protrusion 247 may be on the front side and/or the front and rear sides of the cyclone assembly. The protrusion 247 may extend the entire length/height of the air treatment member assembly 110 in the axial direction, or may only extend along a portion of the length of the air treatment member assembly 110. Accordingly, other than the optional protrusion, the air treatment member assembly 110 has a generally rectangular perimeter and/or cross-sectional shape, taken in a plane that is orthogonal to a cleaning unit axis 204 (i.e. in a top plan view). This configuration may be selected to be complimentary with the shape of the cleaning unit 130, so that when the air treatment member assembly 110 is mounted to the cleaning unit 130 the planes 198, 200 and 202 define or essentially define the limits of the cleaning unit 130 and provide a generally rectangular perimeter and/or cross-sectional shape taken in the plane that is orthogonal to the cleaning unit axis 204.

The cleaning unit 130 also has an upper end 206 and an opposed lower end 208. The upper and lower ends 206 and 208 may have any suitable configuration. As exemplified, the lower end 208 may have a generally flat lower face 210 that is orthogonal to the front and rear planes 198, 200 so as to seat on the lower housing 192 and provide a seal.

Optionally, the air treatment member assembly 110 may be part of the structural connection of push handle 124 to the surface cleaning head. Accordingly, the air treatment member assembly 110 may provide substantially the entire upper end 206 of the cleaning unit 130. For example, the push handle 124 may be mounted to the air treatment member assembly 110 and the cleaning unit 130 may be moveably mounted to the surface cleaning head (e.g., it may be



mounted to a pivotally mounted up flow duct. In such a case, the dirt collection region(s) may be removable from the cleaning unit 130 for emptying.

Alternately, the air treatment member assembly 110 may be supported by components of the cleaning unit 130 and/or upright section 102 (e.g. lower housing 192 and support structure 212) so as to be removable from the upright section to enable the dirt collection regions to be emptied. As exemplified, the upright section comprises an upwardly extending support structure 212 (FIGS. 2, 2B-2E, 10, 11, 42, 50) that provides a structural connection between the lower housing 192 and the handle 124. Optionally, support structure 212 may support or assist in supporting the air treatment member assembly 110 and the air treatment member assembly 110 may be releasably securable thereto.

The support structure 212 may be of any configuration and may comprise one or more vertically extending members (e.g., struts 214), which may be connected to each other by a connecting web 215 and may provide rigidity such that push handle 124 may be used to drive the surface cleaning head 104. For example, the support structure may be moveably mounted to the surface cleaning head 104 and provide a structural support for lower housing 192 and air treatment member assembly 110. An upper portion of the support structure 212 may be connected to the handle 124. It will be appreciated that if air treatment member assembly 110 is support by support structure 212, that handle 124 may be mounted to the air treatment member assembly 110. In such a case, the dirt collection region(s) may be removably mounted to the air treatment member assembly 110 for emptying. Alternately, lower portion 192 may itself be mounted to the surface cleaning head 104 and support structure 212 may extend along the length of the cleaning unit. In such a case, the upper portion of the support structure 212 may be connected to the handle 124 or the push handle 124 may be mounted to the air treatment member assembly 110.

In any such embodiment, the vertically extending members may extend generally upwardly along one of the front and rear side, preferably the rear side 246, of the air treatment member assembly 110. As exemplified, struts 214 may be provided at least partially recessed within the recesses 249 (FIGS. 2E, 18, 22 and 23) created by recessing the dirt collection regions 116 forward of the rearward extent of the cyclone chamber 188 and plane 199. It will be appreciated that the struts 214 may be fully recessed such that they do not extend rearward of plane 199. By recessing a portion of the struts 214, the overall depth of the portion of the upright section 102 that extends along the air treatment member assembly 110 may be reduced.

In the illustrated embodiment, the struts 214 are configured as generally flat, plates that have a width 251 (FIG. 2C) in the lateral direction that is much greater than their depth (i.e. wall thickness 253) in the forward/rearward direction (which in this embodiment is the thickness of the plate forming the strut 214). Alternatively, the struts 214 may have other configurations.

Optionally, while the struts 214 are nested with the air treatment member assembly 110, a portion of support structure 212, such as the connecting web 215 may extend rearwardly of plane 199. The connecting web 215 may be configured to have a relatively thin depth in the forward/rearward direction, to help reduce the overall thickness of the cleaning unit 130, and in the illustrated example has the same wall thickness 253 as the struts 214. Optionally, the connecting web 215 may extend along the rear side of the protrusion 247 and may be positioned between the cyclone

chamber 188 and the rear plane 200. Preferably, the connecting web 215 is located immediately at rear plane 199.

By connecting push handle 124 to an upper end of support structure 212, the air treatment member assembly 110 may be removeable from the cleaning unit 130 (FIGS. 10 and 11) without requiring removal of the handle 124, support structure 212, lower housing 192 or other portions of the cleaning unit 130. This may also eliminate the need for the air treatment member assembly 110 to be a load bearing member, which may help simplify its construction and may allow for a lighter weight construction. For example, as exemplified in FIGS. 4, 10 and 11, the support structure 212 includes the laterally spaced apart struts 214, and a cross-member 216 that extends laterally between the upper ends of the struts 214 to support the handle 124. Optionally, as shown in the illustrated embodiments, the cross-member 216 may also include one or more functional components of the apparatus 100, such as a power button 219 (FIG. 4) for controlling the suction motor 112. Alternatively, the power button 219 may be located at another location, including on the handle 124, possibly on the hand grip 136, on the surface cleaning head 104, other portions of the cleaning unit 130 and the like.

Optionally, the region between the struts 214 may be open, i.e. substantially free of connecting walls or structures, such that the rear sides of the air treatment member assembly 110 is exposed when seated on the cleaning unit 130. This may help reduce the weight of the cleaning unit 130. Alternatively, as illustrated in the embodiment of FIGS. 2B-E and 18, the support structure 212 may include the connecting web 215 that spans between the struts 214. The connecting web 215 may help provide structural strength, and may provide a location to anchor the downstream end of the hose 113, and may support the transition member 344, further described herein, that provides air flow communication between the hose 113 and the air treatment member assembly 110. Alternatively, if the region between the struts 214 is open, the transition member 344 may be cantilevered from one of the struts 214 to be positioned adjacent the air treatment member assembly 110 inlet 284.

Preferably, the hose 113 and a transition member 344 are laterally offset from the cyclone chamber 188, and may be at least partially nested within the recess 249 on the back of the air treatment member assembly 110, which may help reduce the overall depth 201 of the cleaning unit. As illustrated in FIGS. 18 and 2E, in the present embodiment portions of the hose 113 and transition member 344 are positioned forward of the plane 199 that defines the rearmost extent of the air treatment member assembly 110. In this arrangement, a portion of the strut 214 is positioned between the dirt collection region 116 and the connector member transition member and hose 113.

Together, the struts 214 and connecting web 215 may be configured to define a cavity 217 (FIGS. 2C and 2E) that has a complimentary shape to the rear side of the air treatment member assembly, and in the illustrated example is configured to receive the protrusion 247 on the rear side of the air treatment member assembly. Alternatively, the struts 214 and connecting web 215 may be generally flush with each other. For example, if the air treatment member assembly 110 of FIG. 40 is used a cavity 217 may not be needed because the rear face of the air treatment member assembly 110 is flat and lies in the plane 199.

The embodiments of FIGS. 42-52 may have an analogous configuration.

In addition to supporting the handle 124, the support structure 212 may also be configured to include one or more air flow ducts (e.g., an up flow duct to the air treatment

member assembly) at least a portion of a locking mechanism or the like for securing the air treatment member assembly **110** to the cleaning unit **130** if the air treatment member is separately removable, at least a portion of a locking mechanism or the like for securing the cleaning unit **130** to the support structure if the cleaning unit **130** is removably mounted to the support structure, a brush control actuator, storage locations for auxiliary cleaning tools and the like.

In the illustrated embodiments, the air treatment member assembly **110** is removably mounted to the cleaning unit **130** and the locking mechanism for securing the air treatment member assembly **110** includes a latch provided on the air treatment member assembly, and a complimentary catch portion on the cleaning unit. Referring, for example, to FIGS. **1** and **10**, the latch **218**, which includes an integrated actuator button portion, is provided on the air treatment member assembly and can engage a corresponding catch portion **220** on the cross-member **216** of the cleaning unit **130**. When a user presses on the exposed button portion, the latch **218** can be disengaged from the catch portion **220**, thereby allowing the air treatment member assembly to be removed. Any locking mechanism known in the mechanical arts may be used.

The support structure **212** may also include one or more air flow ducts that form part of the air flow path between the dirty air inlet(s) **106** and the air treatment member assembly **110**. Such ducts may be integrally formed and/or internal of the support structure **212**, or may be external conduits connected to the support structure (such as wands, pipes and hoses).

It will be appreciated that, in some embodiments, the airflow conduit from the surface cleaning head **104** to the air treatment member assembly **110** may include a rigid cleaning wand **222** and/or a flexible hose **113** (see e.g., FIGS. **18-20**). The upright section may also include an up flow conduit, in the form of an up flow duct **224** provided on the cleaning unit **130** (FIG. **8**), which fluidly connects an air exit of the surface cleaning head **104** to the cleaning wand **222**. The inlet end **226** of the wand **222** may be detachably inserted into or otherwise connected in air flow communication to the up flow duct **224** (or vice versa) to complete the air flow path (FIG. **2A**). Detachably connecting the wand to the air flow path enables the apparatus to be reconfigured for above floor cleaning. As exemplified, air travelling through the air flow path travels generally upwardly through up flow duct **224**, into the cleaning wand **222**, follows the curvature of the hose and then heads generally downwardly toward the air inlet of the air treatment member assembly. The embodiment of FIGS. **49-52** has an analogous configuration with the cleaning wand **222** in an alternative configuration, and the embodiment of FIGS. **42-48** illustrates an example of a cleaning unit **130** that has an internal up flow duct **224**, without a rigid wand forming part of the illustrated air flow path.

It will be appreciated that the portion of the air flow path that is coextensive with the cleaning unit may be part of the cleaning unit, the support structure, separate components or a combination of two or more of these options. In any such case, this portion of the air flow conduit may be positioned to help reduce the overall size of the cleaning unit **130**, and preferably to help reduce the maximum depth **201** of the cleaning unit **130**. For example, the air flow conduits, such as ducts **224**, wands **222** and hoses **113**, may be nested in recesses provided recessing portions of the front and/or rear sides of the cleaning unit or on the lateral sides of the cleaning unit.

Referring to FIG. **18**, in this embodiment when the cleaning wand **222** is mounted in a floor cleaning position, it is positioned behind a portion of the air treatment member assembly **110** (a lateral side portion of the dirt collection chamber as described herein), and also partially overlaps a portion of the air treatment member (e.g., the cyclone chamber **188**) in the forward/rearward direction (e.g., it is positioned laterally outwardly of the air treatment member). Specifically, in this embodiment, both a central laterally extending plane **232** and a forward most laterally extending plane **234** of the wand **222** intersect a portion of the air treatment member, as well as the connecting web **215**, but are spaced rearwardly from the struts **214** and dirt collection chamber **190**. In this configuration, the depth **201** of the cleaning unit **130** is less than the sum of the diameter **228** of the cleaning wand and the maximum depth **230** of the air treatment member assembly **110**. By reducing the depth of the dirt collection region **116**, the wand may be positioned forward of the position shown in FIG. **18**, in which case, the maximum depth of this portion of the upright section may be further reduced. The volume of the dirt collection region **116** may be increased by increasing the lateral length of the dirt collection region. The embodiments of FIGS. **42-48** and **49-52** have analogous configurations, in which portions of the upflow ducts **224** are nested behind portions of the air treatment member assemblies **110**.

Accordingly, it will be appreciated that the cleaning unit **130** and the upright section **102** may be configured to have a relatively small depth **201** in the forward/backward direction. Configuring the upright section **102** to have a small depth may help facilitate positioning the cleaning unit **130** in relatively narrow spaces, such as beneath a couch, bed frame, coffee table and the like. Reducing the size of the cleaning unit **130** and/or upright section **102** may also help reduce the amount of space required to store the apparatus **100** when not in use.

Referring to FIG. **4**, in the illustrated embodiment the cleaning unit **130** is the largest portion of the upright section, and has a depth **201** in the forward/backward direction that is relatively narrow, and is less than the depth **236** of the surface cleaning head **104** taken in the same direction (exclusive of the wheels **158**). The depth **201** can be any suitable distance, and may be less than about 8 inches, less than about 6 inches or less than about 4 inches. For example, the depth **201** may be sized to be essentially the same as or less than the height of surface cleaning head **104**. In such a case, the extent to which apparatus **100** may extend under furniture is not limited by the depth of the cleaning unit.

It will be appreciated that the cleaning unit **130** may be configured so that it is wider than it is deep, such that the width **238** of the cleaning unit **130** in the lateral direction (see also FIG. **3**) is greater than the depth **201** of the cleaning unit **130**. Optionally, the lateral width **238** may be more than 125%, more than 150%, more than about 175%, more than about 200%, more than about 250% and/or more than about 300% of the of the depth **201** in the forward/rearward direction. Preferably, the width **238** is at least about two times as large as the depth **201**. This may help reduce the depth of the cleaning unit **130**, while still allowing sufficient volume within the cleaning unit **130** to contain the air treatment member assembly **110** and suction motor **112**.

It will be appreciated that the air treatment member assembly **110** may have a width **252** in a lateral direction (FIG. **25**) that is, in the embodiment illustrated, generally equal to the overall width **238** of the upright section **102** in the lateral direction. The air treatment member assembly **110** also has a maximum depth **256** (FIG. **22**) that is measured

between the forward most and rearward most portions of the air treatment member assembly **110** in the forward/rearward direction. The maximum depth **256** may be about the same depth as the cleaning unit if the rear side of the dirt collections regions is recessed sufficiently to receive, e.g., struts **214**, the rigid wand and the hose. Alternately, if these components extend rearwardly of the rear face of the dirt collection regions, then the maximum depth **256** of the air treatment member assembly may be less than the depth **201** of the cleaning unit **130**, and optionally may be at least 50%, at least about 60%, at least about 70%, at least about 80%, at least about 90% and/or at least about 95% of the depth **201**.

Accordingly, when operated in the low profile floor cleaning mode (FIG. **12**), with the upright section **102** pivoted so that the front plane **198** of the cleaning unit **130** is substantially horizontal (i.e. substantially parallel to the floor), the height **240** from the floor to the front plane **198** may be between about 100% and about 130% of the cleaning unit depth **201**, and may be between about 105% and 120% of the depth **201**. In some embodiments, the height **240** may be less than 5 inches. Preferably, the height **240** can be less than about 4.5 inches, less than about 4 inches, less than about 3.5 inches or less than about 3 inches.

#### Air Treatment Member Assembly

The following is a description of air treatment member assemblies that may be used by themselves in any surface cleaning apparatus or in any combination or sub-combination with any other feature or features described herein. For example, the air treatment member assemblies described herein may be used with any one or more of the surface cleaning head, moveable wheels, upright section, carry handles, cyclone configurations, dirt collection chambers, pre-motor filters, suction motors, post-motor filters, cleaning unit air flow ducts, above floor cleaning assemblies, low profile floor cleaning mode, bendable handle, adjustable handles, hose wraps and other features described herein.

In accordance with this aspect, the air treatment member assembly may be removable from the cleaning unit for emptying. The air treatment member assembly includes an air treatment member and one or more dirt collection regions. The air treatment member assembly may be removable as a sealed unit other than air inlet and outlet ports. Upper and/or lower ends of the air treatment member assembly may be openable to empty the air treatment member and the dirt collection region(s).

Referring to FIGS. **5**, **13**, **22-24**, **32**, **38-41**, **49**, **53**, and **77-85** in the illustrated embodiments the air treatment member assembly **110** has a front face **242** that is generally flat and forms a portion of the front of the cleaning unit **130**. The air treatment member assembly **110** also has an upper end **244** (FIGS. **10**, **83**) that is proximate the upper end **132** of the cleaning unit **130** or may be the upper end of the cleaning unit, a rear side **246** (FIGS. **22-24**), opposed lateral sides **248** and a lower end **250** (see also FIGS. **11** and **83**) that seats on the lower housing **192**.

In the embodiments illustrated herein, the cleaning unit **130** air treatment member assembly is removably mounted to an upper end of the suction motor housing portion **118** of the cleaning unit **130**. In this embodiment, the upper end of the suction motor housing **118** may bound part or all of the axially extending walls of the pre-motor filter chamber **194**, and the pre-motor filter chamber **194** may have a generally open upper face. When the air treatment member assembly **110** is seated on the upper end of the motor housing **118**, the air treatment member assembly **110** may seal the open, upper face of the pre-motor filter chamber **194**. In this

arrangement, the lower end **250** of the air treatment member assembly **110** may form the upper wall of the pre-motor filter chamber **194**. When the air treatment member assembly **110** is removed (FIG. **25**), the upper end of the pre-motor filter chamber **194** is opened and the pre-motor filter **120** is visible and may be removed through the open upper end for cleaning. When configured as illustrated, removing the air treatment member assembly **110** reveals the upstream/dirty side of the pre-motor filter **120**. Positioning the pre-motor filter **120** in this manner may lead users to visually inspect the pre-motor filter **120** each time the air treatment member assembly **110** is removed and/or replaced on the cleaning unit **130**. Alternatively, instead of using the air treatment member assembly **110** to seal the pre-motor filter chamber **194** or other portions of the motor housing **118**, the cleaning unit **130** may include a separate cover or seal plate to enclose the motor housing and/or pre-motor filter chamber.

Optionally, the pre-motor filter chamber **194**, and pre-motor filter **120** therein, may be removable from the cleaning unit **130** with the air treatment member assembly **110** (as shown in FIGS. **78-80**). This may allow a user to simultaneously carry all of the soiled portions of the surface cleaning apparatus **100** to the garbage can or other location for emptying/cleaning. In this configuration, the air treatment member assembly **110** and the pre-motor filter chamber **194** may be removably seated on the upper end of the motor housing **118**. A removable pre-motor filter chamber **194** of this nature may be used in combination with any of the air treatment member assemblies **110** described herein, and similarly the air treatment member assembly of FIGS. **77-85** may be useable with a non-removable pre-motor filter chamber **194**.

Optionally, the upper end **244** and/or the lower end **250** of the air treatment member assembly **110** may be openable to provide access to the interior of the air treatment member assembly **110**. Referring to FIG. **10**, in the illustrated embodiment the lower end **250** of the air treatment member assembly **110** includes an openable lower door **260**, and referring to FIG. **11**, the upper end **244** of the air treatment member assembly **110** includes an openable upper door **262**. As illustrated, the upper and lower doors **260**, **262** may be openable independently of each other. This may allow a user to open one end of the air treatment member assembly **110** without having to open the other. For example, a user may open the upper door **262** to inspect the interior of the air treatment member assembly **110**, while keeping the lower door **260** closed to prevent spilling of the dirt and debris collected therein.

Optionally, the upper and lower doors **260**, **262** may be opened by detaching the doors **260**, **262** from the rest of the air treatment member assembly (as shown in the embodiment of FIGS. **77-85**), or alternatively, as illustrated in FIGS. **10** and **11**, the doors **260**, **262** may be moveably mounted (e.g., pivotally connected) to a sidewall of the air treatment member assembly **110**.

If configured to pivot, the doors **260**, **262** may be connected using any suitable rotatable connection, such as a pivot joint and/or hinge. Referring to FIGS. **10-11**, **19**, **22** and **23** for example, in the illustrated embodiments, both the upper door **262** and lower door **260** are pivotally connected to the sidewall using hinges **264** that facilitate pivoting about respective pivot axes **266**. In this embodiment, the hinges **264** are provided on one of the lateral sides of the air treatment member assembly **110**, and oriented so that the pivot axes **266** are generally parallel to the longitudinal axis **144** (i.e. extend in the forward/rearward direction). The opposing sides of the upper and lower doors **260**, **262** are

secured in the closed position using respective latches **268**. Like the hinges **264**, the latches **268** in the illustrated embodiments are located on the opposing lateral side of the air treatment member assembly **110**, rather than on the front **242** or rear sides **246**. Positioning the hinges **264** and/or latches **268** on the lateral sides of the air treatment member assembly **110** may help reduce the depth **256** of the air treatment member assembly **110** in the forward/rearward direction. This may help reduce the overall depth **201** of the cleaning unit **130** and/or the upper section **102**. This arrangement may also leave the hinges **264** and latches **268** visible and/or accessible when the air treatment member assembly **110** is mounted to the rest of the cleaning unit **130**.

The air treatment member assembly **110** may be formed from any suitable material, including plastic and composite materials. Preferably, at least a portion of the air treatment member assembly is formed from transparent materials so that a user can view the interior of the air treatment member assembly without having to open the upper or lower doors **260**, **262**.

#### Carry Handle

The following is a description of carry handles that may be used by themselves in any surface cleaning apparatus or in any combination or sub-combination with any other feature or features described herein. For example, the carry handles described herein may be used with any one or more of the surface cleaning head, moveable wheels, upright section, air treatment member assemblies, cyclone configurations, dirt collection chambers, pre-motor filters, suction motors, post-motor filters, cleaning unit air flow ducts, above floor cleaning assemblies, low profile floor cleaning mode, bendable handle, adjustable handles, hose wraps and other features described herein.

In accordance with this aspect, the carry handle **258** is oriented so as to provide a grip area having sufficient length to enable a user to carry the air treatment member assembly **110**, the cleaning unit **130** or the entire apparatus **100** while not increasing the depth of the air treatment member assembly **110** or the cleaning unit **130**. For example, the cleaning unit may have a maximum depth of, e.g., less than 5 inches and possibly 4 inches or less. The carry handle may have a length of 5-8 inches, 5-7 inches or 5-6 inches so as to provide a grip length of, e.g., 4-5 inches. Accordingly, by orienting the carry handle to extend laterally (transverse to the central axis of the surface cleaning head), the user may comfortably carry the air treatment member assembly **110** without the need to increase the maximum depth of the air treatment member assembly.

As discussed previously, preferably, the air treatment member assembly **110** is removable from the upright section **102** for emptying (as exemplified in FIGS. **10**, **11** and **25**). Accordingly, the air treatment member assembly **110** may include one or more carry handles **258** to help facilitate carrying the air treatment member assembly **110** to a garbage can or the like.

The carry handle **258** may have any suitable configuration, and in the illustrated embodiments includes a grip portion **270** that extends along a grip axis **272** and has a grip length **274** (FIGS. **10**, **11** and **25**). In the illustrated embodiments, the grip axis **272** extends in the lateral direction, and is orthogonal to the longitudinal axis **144**. It will be appreciated that the grip axis **272** may extend generally in the lateral direction.

Optionally, the grip length **274** can be selected so that it is equal to or greater than the depth **201** of the cleaning unit **130**, and optionally may be greater than twice the depth **201** in the direction of the central longitudinal axis **144** of the air

treatment member assembly **110** or of the cleaning unit **130** or of the portion of the upright section on which the cleaning unit is provided. In this arrangement, the grip portion **270** may be sized to be comfortable for the user, without being limited by the depth **201** of the cleaning unit **130**, or the depth **256** of the air treatment member assembly **110**, as may be the circumstance if the grip axis **272** extended in the forward/rearward direction.

For example, the grip length **274** may be selected to be between about 3 inches and about 10 inches, or more, without changing the depth **201** of the cleaning unit **130** or depth **256** of the air treatment member assembly **110**. Optionally, the grip length **274** can be selected so that it is between about 60% and about 150% of the depth **201** of the cleaning unit **130**. For example, for a cleaning unit **130** having a depth **201** of about 6 inches, the grip length **274** may be about 4 inches (about 60%), or about 6 inches (about 100% of the depth), e.g., in the range of 4-5 inches. If the cleaning unit depth **201** is about 4 inches, the a grip length **274** of 4 inches would be about 100% of the depth, and a grip length **274** of 6 inches would be about 150% of the depth. Providing a grip **270** with a grip length **274** that is equal to or greater than the depth **201** of the cleaning unit **130** may help provide a relatively large, comfortable grip portion **270** on a relatively thin upright section **102**.

In the embodiments, the carry handle **258** is positioned close to the front side of the air treatment member assembly **110** and is proximate the front face **242** of the air treatment member assembly **110** and the front plane **198** of the cleaning unit **130**, i.e. the grip axis **272** is closer to the front plane **198** than the rear plane **200**. In this position, the carry handle, and the grip portion, are positioned above and overlie the upper end **244** of the air treatment member assembly **110**, and in particular overlie portions of the cyclone chamber **188** and the dirt collection chamber **190**. While illustrated as being at the upper end **244** of the air treatment member assembly **110**, the carry handle **258** may be provided at other locations, such as along one of the lateral sides of the air treatment member assembly **110**.

In the illustrated embodiments, the carry handle **258** is provided on the openable upper door **262**, and moves with the upper door **262** when it is opened (FIG. **11**). Alternatively, the carry handle **258** may be connected to a different part of the air treatment member assembly **110**, and need not move with an openable door.

In a further alternate embodiment, the carry handle **258** may be placed on the support structure **212** (such as cross-member **216**) provided that the handle **124** and its connection to the cleaning unit **130** and/or the support structure **212** (e.g., pivot joint **386**) does not interfere with placing carry handle at that location.

#### Cyclone (Air Treatment Member) Configuration

The following is a description of cyclone configurations that may be used by themselves in any surface cleaning apparatus or in any combination or sub-combination with any other feature or features described herein. For example, the cyclone configurations described herein may be used with any one or more of the surface cleaning head, moveable wheels, upright section, air treatment member assemblies, carry handles, dirt collection chambers, pre-motor filters, suction motors, post-motor filters, cleaning unit air flow ducts, above floor cleaning assemblies, low profile floor cleaning mode, bendable handle, adjustable handles, hose wraps and other features described herein.

In accordance with this aspect, the air treatment member is configured to reduce the overall depth of the air treatment member assembly. Accordingly, the dirt collection region or

regions are positioned external to the air treatment member. By positioning the dirt collection region or regions external to the air treatment member, a portion of a dirt collection region need not be positioned in front or behind the air treatment member (see for example FIG. 22), thereby reducing the depth of the air treatment member assembly. Accordingly, the maximum depth of the air treatment member assembly 110 may be the depth of the air treatment member. Further, the shape of the dirt collection region or regions may be varied so as to fit within a desired footprint of the cleaning unit.

It will be appreciated that the air treatment member may be provided in the form of any suitable cyclone(s), swirl chamber or the like which are known in the surface cleaning art. In the illustrated embodiments (see FIGS. 7, 22-24, 31-41, 52 and 77-85), the air treatment member is provided in the form that includes at least one cyclone chamber 188 that extends along a cyclone axis 276, which may also define a cyclone bin assembly axis. The cyclone chamber may be of any design known in the art. Optionally, the air treatment member assembly 110 may include more than one air treatment member. For example, the air treatment member assembly 110 may include two or more cyclonic cleaning stages (each containing one or more cyclone chambers), arranged in parallel or in series with each other. One example of such an air treatment member assembly 110 is illustrated in FIGS. 77-85, and includes a first cyclone chamber 188, and a second cyclone chamber 188a that is positioned downstream from the cyclone chamber 188 and functions as a secondary cyclonic cleaning stage. Alternatively, the cyclones 188 and 188a may be connected in parallel with each other. The second cyclone chamber 188a and second dirt collection chamber 190a may include analogous features to the cyclone chambers 188 and dirt collection chambers 190 described herein, and like features are indicated using like reference numerals with an "a" suffix.

A variety of air treatment member assemblies are described herein, having different arrangements and configurations of the cyclone chambers and dirt collection chambers. Any of these air treatment member configurations may be used in combination with any of the other, compatible features described herein.

As exemplified, the cyclone chamber 188 includes a first end wall 278, a second end wall 280 axially spaced apart from the first end wall and a generally cylindrical sidewall 282 extending between the first and second end walls 278, 280. Optionally, some or all of the cyclone walls may coincide with portions of the dirt collection chamber walls, and/or may form portions of the outer surface of the cleaning unit 130 and upright section 102. Alternatively, in some examples some or all of the cyclone walls can be distinct from other portions of the cleaning unit 130, and may not overlap or be co-incident with other walls in the air treatment member assembly 110. Referring to the embodiment of FIGS. 77 and 82, the sidewall 282 of the first cyclone chamber 188 is coincident with portions of the dirt collection chamber sidewalls (at the front and rear sides of the air treatment member assembly 110), whereas, as exemplified, the diameter of second cyclone chamber 188a may be slightly smaller, and may be positioned such that the sidewall 282a is distinct from the dirt collection chamber sidewalls. In this example, there is an optional overlap between the cyclone chamber sidewalls, such that a portion of sidewall 282 is coincident with a portion of sidewall 282a. This may help reduce the combined lateral width of

the cyclones 188 and 188a, and in some instances may help provide structural support/strength for the sidewalls 282 and 282a.

Referring to FIG. 22 as an example, in these embodiments the cyclone chamber 188 has a cyclone air inlet 284, through which dirty air can enter the cyclone chamber 188, and a cyclone air outlet 286, through which treated air can exit the cyclone chamber 188. While some dirt may settle/collect on the interior surface of the second end wall 280, the cyclone chamber 188 may also include at least one dirt outlet 288 through which dirt and debris can exit the cyclone chamber 188, and preferably collect in an external dirt collection chamber 190. If a second cyclone chamber 188a is included (FIGS. 77-85) it may include an analogous air inlet 184a, and optionally, may include two or more air inlets 184a. As exemplified in FIG. 83, in this embodiment the second cyclone 188a includes four air inlets 284a, and other embodiments may have different numbers of air inlets. In this embodiment, all four air inlets 184a are in air flow communication with a common air plenum 285 (FIGS. 78, 83 and 84) that is downstream from the air outlet 286 of the first cyclone chamber 188. That is, air exiting the first cyclone 188, via the air outlet 286, flows into the air plenum 285 and is then distributed amongst the four air inlets 184a. After flowing in via the inlets 184a, the air circulates within the second cyclone chamber 188a and exits via the air outlet 286a and travels into the pre-motor filter chamber 194. In this arrangement, the air plenum 285 extends beneath at least a portion of the second dirt chamber 190a, and laterally surrounds a lower end of the cyclone chamber 188a. The second cyclone chamber 188a includes dirt outlets 288a (two in the illustrated example) which are in communication with a corresponding second dirt collection chamber 190a. In the illustrated example, the second dirt chamber 190a is fluidly isolated from the dirt chamber 190, which may help maintain a desired air flow path through the air treatment member assembly 110.

The dirt outlet 288 (or 288a) may have any suitable configuration and be provided at any location in the cyclone chamber 188 (or 188a). For example, if a dirt collection region is provided below or above a cyclone chamber that has a longitudinal axis that extends vertically when the upright section is in the upright storage position of FIG. 1, then the overall height of the cleaning unit may be too large. Accordingly, if the cyclone chamber has a longitudinal axis that extends vertically when the upright section is in the upright storage position, it is preferred to position the dirt collection region or regions exterior to the cyclone chamber 188 and to extend in the same direction as the cyclone chamber 188. Accordingly, the dirt outlet or outlets 288 may be configured so that dirt travelling through the dirt outlet 288 travels in a generally lateral/radial outward direction and then falls downwardly into the dirt collection chamber 190.

Optionally each cyclone chamber may be configured to include one dirt outlet, or more than one dirt outlet. For example, a dirt outlet 288 may be provided for each dirt collection chamber 190. Referring to FIGS. 22 and 23, in the illustrated embodiment, the cyclone assembly includes two dirt collection chambers 190, each of which is spaced laterally from the cyclone chamber. Accordingly, the cyclone chamber 188 includes two, spaced apart dirt outlets 288 that are provided on opposing lateral sides of the cyclone chamber 188. Each dirt outlet 288 may be configured as a slot that extends around a portion of the cyclone chamber sidewall 282, and may be partially bounded by the first end wall 278 of the cyclone chamber 188.

As exemplified, the dirt outlets **288** may be provided toward the upper end of the cyclone chamber **188**, and at the upper end **244** of the air treatment member assembly **110** itself. In contrast, both the air inlet **284** and air outlet **286** may be provided toward the opposed, lower end **280** of the cyclone chamber **188**, which corresponds to about the vertical mid-point of the air treatment member assembly **110**. A cyclone with this orientation may be referred to as an inverted cyclone.

In this embodiment, and in the embodiments of FIGS. **31-33** and **38-40**, air exiting the cyclone chamber **188** travels downwardly, and, as exemplified, may travel through a portion of the dirt collection chamber **190** if a dirt collection region is positioned below the cyclone chamber **188**, via an exit conduit **290** (FIG. **23**), to an aperture **292** (FIGS. **7** and **10**) provided in the lower door **260** of the air treatment member assembly **110**. The exit conduit **290** in these embodiments is at least partially surrounded by the dirt collection chamber **190**, and as illustrated is entirely laterally surrounded (whereas it is only partially surrounded in the embodiments of FIGS. **35** and **36**). Positioning the exit conduit **290** at least partially within, and extending through, the dirt collection chamber **190** may help reduce the overall size of the air treatment member assembly **110** while increasing the volume for dirt collection, for example as compared to placing the exit conduit outside of the dirt collection chamber.

In other embodiments, such as shown in FIGS. **78** and **84**, the lower end of the cyclone chamber **188a** is positioned adjacent the openable bottom door **260**, such that the dirt collection chambers **190** and **190a** do not extend beneath the cyclone chamber **188a**. In this arrangement, instead of using a separate exit conduit, the air outlet **286a** of the cyclone chamber **188a** includes the aperture **292** in the door **260**. In addition to the aperture **292** being movable with the lower door **260**, in this example an upwardly extending conduit **293a** that forms part of the air outlet **286a** is also movable with the door **260** (see FIG. **84**). In this embodiment, opening the lower door **260** provides access to the interior of the cyclone chamber **188a** and removes the conduit **293a** from within the cyclone chamber **188a**. The cyclone chamber **188** includes a similar conduit **293** (also referred to as a vortex finder—and similar conduits are included in the other embodiments described herein), but the conduit **293** is not moveable when the door **260** is opened. In the illustrated embodiment, opening the door **260** also opens the lower sides of each of the air inlets **284a** (see also FIG. **83**), which may be useful for cleaning or inspection of the air inlet **284a**.

When the air treatment member assembly **110** is mounted to the upright section, the aperture **292** is in fluid communication with the pre-motor filter chamber **194**. This arrangement can also help simplify the air flow path, as the air exiting the cyclone chamber **188** may travel linearly along the direction of the cyclone axis **276** directly into the pre-motor filter chamber **194** and, in the illustrated embodiments, to the suction motor **112** that is positioned beneath the air treatment member assembly **110**. Reducing the number of turns/corners along this portion of the air flow path may help reduce the back pressure in the air flow path. It will be appreciated that, in some embodiments, the suction motor inlet need not be aligned with, or extend in the same direction as, the cyclone chamber air outlet.

Alternatively, the cyclone chamber **188** may be configured as an inverted cyclone but may only include a single dirt outlet **288**, which in the embodiment of FIG. **38** is provided at the front of the cyclone chamber **188**. It will be

appreciated that the overall depth **256** of the cyclone assembly is reduced in this embodiment since the dirt collection chamber **190** is not positioned rearward of the rearward extent of the cyclone chamber **188** and is configured to have a lateral length that is greater than its depth. It will also be appreciated that a single dirt outlet **288** need not be positioned directly at the front of the cyclone chamber, but instead may be offset toward one lateral side of the cyclone chamber, such as shown in the embodiments of FIGS. **31-33**, **39**, **40** and **77**, or toward the bottom of the cyclone, such as shown in the embodiments of FIGS. **35-37**.

Optionally, the cyclone chamber **188** may oriented in a generally upright configuration (i.e. the cyclone axis **276** (or axis **276a**) is generally parallel to the handle axis **134** when the apparatus is in the upright position), but may alternatively be arranged so that the air outlet **286** is provided toward the top of the cyclone chamber **188**, instead of the bottom. For example, in the embodiment of FIG. **41**, the cyclone chamber **188** is arranged so that the air inlet **284** and the air outlet **286** are at the top of the air treatment member assembly **110**, and the dirt outlet **288** is at the bottom. To connect this air treatment member assembly **110** to the air flow path, and aperture **292** may be provided in the upper door **262** of the air treatment member assembly **110** (not shown in this figure) and may be connected to suitable air flow conduits that may be external the dirt collection chamber **190** (for example conduits provided on or in the cleaning unit **130**) to direct the air exiting the cyclone chamber **188** to suction motor **112**. Configuring the air treatment member assembly **110** in this manner may, in some embodiments, increase the complexity of the air flow path between the cyclone chamber **188** and the suction motor **112** (for example as compared to the embodiment of FIGS. **22** and **23**), but may help increase the capacity of the dirt collection chamber **190** by removing the need for the internal exit conduit **290**. This may also help simplify the construction and/or operation of the lower door **260** of the air treatment member assembly **110**, as it need not include an air exit aperture **292** and the associated gaskets and/or seals.

Alternatively, instead of arranging the cyclone chamber **188** in a generally upright configuration (in which the cyclone axis **276** is substantially parallel to the handle axis **134** in the upright position), the cyclone chamber **188** may be oriented in a lateral/sideways configuration in which the cyclone axis **276** is generally horizontal when the apparatus **100** is in the storage position, and optionally the cyclone axis **276** may be substantially orthogonal to the handle axis **137** when in the upright position. In the horizontal orientation, the cyclone chamber **188** may be oriented so that the cyclone axis **276** extends substantially laterally, i.e. substantially orthogonal to the longitudinal axis **144** (FIGS. **35** and **36**), substantially longitudinally, i.e. substantially parallel to the longitudinal axis **144** (FIG. **37**), or at any non-zero angle therebetween.

In the embodiment of FIG. **35**, the cyclone chamber **188** is configured as a uniflow cyclone, where the cyclone air inlet **284** is at one end of the cyclone chamber **188** (toward the right as illustrated) and the air outlet **286** is at the opposed end of the cyclone chamber **188** (toward the left as illustrated), along with the dirt outlet **288**. In this configuration, the air exit conduit **290** may extend generally vertically along one side of the air treatment member assembly **110**, to an exit aperture **292** in the lower door **260**. The air exit conduit **290** in this embodiment is only partially surrounded by the dirt collection chamber **190**, and a portion of the exit conduit **290** forms part of the outer surface of the air treatment member assembly **110**.

To supply air to the cyclone chamber **188**, this embodiment includes an air inlet conduit **294** which, in the example illustrated is analogous to the air exit conduit **290** and, may extend from an inlet aperture **296** in the lower door **260** to the air inlet **284** in the cyclone chamber **188**. In this arrangement, air travels generally upwardly into the cyclone chamber **188**, rotates within the chamber, and travels downwardly from the cyclone chamber **188** to the rest of the air flow path. In the illustrated embodiment, much (and optionally all) of the dirt collection chamber **190** is located laterally between the air inlet **294** and exit conduits **290**, and below the cyclone chamber **188**.

Alternatively, instead of having a uniflow configuration, a laterally oriented cyclone may be configured with the air inlet and air outlet located toward the same end of the cyclone chamber. To provide air flow connections, the air treatment member assembly includes air inlet conduit **294** and air exit conduit **290** that may extend generally parallel to each other and may be located on toward the same side of the air treatment member assembly **110**. As exemplified in FIG. **36**, in this embodiment the dirt outlet **288** may be provided at the opposite end of the cyclone chamber **188** (to the left as illustrated). In these embodiments, the air inlet **294** and exit conduits **290** may be circular ducts, or may have any other suitable cross-sectional shape, including generally in the shape of a parallelogram (e.g., square or rectangular) and the like. Optionally, the inlet and exit conduits **294**, **290** may have substantially the same cross-sectional flow area, so that the flow area at the cyclone air inlet **284** is generally equal to the flow area at the outlet **286** (this may be the case in any air treatment member assembly described herein). This may help reduce back pressure.

In the embodiment of FIG. **37**, the cyclone chamber **188** is oriented so that the cyclone axis **276** is horizontal and is substantially parallel to the central longitudinal axis **144** of the apparatus **100**, such that the cyclone axis **276** extends in the forward/rearward direction. In this arrangement, air is supplied to the cyclone chamber **188** via the inlet conduit **294**, and removed via an outlet conduit that extends to the rear side of the air treatment member assembly (not shown in this figure). In this arrangement, changing the axial length of the cyclone chamber **188** can impact the overall depth **256** of the air treatment member assembly **110**, whereas in the embodiments of FIGS. **35** and **36** the cyclone length is less relevant to the air treatment member assembly depth **256** than the cyclone diameter.

In the illustrated embodiments, the cyclone chambers **188** are generally cylindrical, and have a cyclone diameter **298** (FIG. **22**). The cyclone diameter may be any suitable size, and may be, for example, between about 1 inch and about 6 inches or more, and preferably may be between about 2 inches and about 4 inches. The second cyclone chamber **188a** has a diameter **298a** (FIG. **82**) which may be any suitable size, and in the illustrated example is less than the diameter **298**.

In some configurations, such as shown in FIGS. **22**, **40** and **41**, the cyclone diameter **298** may constitute a majority of the depth **256** of the air treatment member assembly **110** in the forward/rearward direction. For example, in the embodiments of FIGS. **22**, **40**, **45** and **82** the cyclone diameter **298** is equal to the maximum depth **256** of the air treatment member assembly **110**. In this arrangement, sidewall **282** forms portions of the front and rear sides of the air treatment member assembly **110** (while the sidewall **282a** does not in the illustrated example). Alternatively, the cyclone chamber **188** may be sized and/or positioned such that the cyclone diameter **298** is less than the air treatment

member assembly depth **256**, such as shown, for example, in the embodiments of FIGS. **38** and **39**, and as shown for the second cyclone chamber **188a** in FIG. **82**.

Preferably, at least one portion of each cyclone chamber is openable. For example, at least a portion of the cyclone chambers **188** and **188a** may be openable. This may help facilitate access to the cyclone chamber **188** or **188a** for emptying, inspection, maintenance and the like. Optionally, one or both of the end walls **278**, **280** of the cyclone chamber **188** may be openable. Referring to FIGS. **7**, **8**, **22-23**, in this embodiment the upper end wall **278** of the cyclone chamber **188** is part of the openable upper door **262** of the air treatment member assembly **110**, and is opened when the door **262** is opened. In these embodiments, neither the sidewall **282** nor the lower end wall **280** of the cyclone chamber **188** are openable. A similar arrangement is used in the embodiments of FIGS. **38-40**. In the embodiment of FIGS. **77-85**, the upper end walls **278** and **278a** of the cyclone chambers **188** and **188a** are both part of the openable upper door **262**, such that opening the door **262** simultaneously opens both cyclone chambers **188** and **188a**. In this embodiment the lower end wall **280** of cyclone chamber **188** is not openable, whereas the lower end wall **280a** of cyclone chamber **188a** is openable with lower door **260**. Opening the door **262** also simultaneously opens dirt collection chambers **190** and **190a**, whereas opening the lower door **260** opens dirt collection chamber **190** but does not open the lower end of dirt collection chamber **190a**.

Alternatively, the end walls **278**, **280** of the cyclone chamber **188** may be fixed, and a portion of the sidewall **282** may be openable. Examples of this configuration are shown in FIGS. **35** and **36**, in which the openable upper door **262** of the air treatment member assembly **110** includes part of the sidewall **282** of the cyclone chamber **188**. In this configuration, opening the upper door **262** can open the cyclone chamber **188**, and neither the air inlet **284** or air outlet **286** are provided in a moving, openable portion of the air treatment member assembly **110**.

In some embodiments, the cyclone chamber **188** need not be openable, as is shown in the embodiment of FIG. **41** where both the upper and lower end walls **278**, **280** are fixed. However, this configuration may be modified to be openable, for example by making the upper end wall **278** openable.

It will be appreciated that, in some embodiments, the air treatment member may comprise two or more cyclone or other air treatment members in parallel with each other, rather than in series as illustrated with cyclone chambers **188** and **188a**. Each cyclone chamber may include any suitable number of air inlets, air outlets and dirt outlets. For example, a cyclone may include four air inlets, one air outlet and two dirt outlets, or one air inlet, one air outlet and two dirt outlets, and the like.

Dirt Collection Chamber

The following is a description of dirt collection chambers that may be used by themselves in any surface cleaning apparatus or in any combination or sub-combination with any other feature or features described herein. For example, the dirt collection chambers described herein may be used with any one or more of the surface cleaning head, moveable wheels, upright section, air treatment member assemblies, carry handles, cyclone configurations, pre-motor filters, suction motors, post-motor filters, cleaning unit air flow ducts, above floor cleaning assemblies, low profile floor cleaning mode, bendable handle, adjustable handles, hose wraps and other features described herein.

In accordance with this aspect, some and preferably all of the dirt collection chamber or chambers are positioned external to the cyclone chamber. By positioning the dirt collection chamber or chambers exterior to the air treatment member, the dirt collection chamber or chambers may be positioned in a portion of the footprint of the cleaning unit 130 in which the air treatment member is not located. In this way, the dirt collection region or regions may be located and sized so as to not increase the depth of the cleaning unit, or to limit the extent to which the depth of the cleaning unit is increased. Accordingly, if the air treatment member has a longitudinal axis that extends vertically when the upright section is in the storage position, then the dirt collection region or regions may be laterally spaced from the air treatment member and if the air treatment member has a longitudinal axis that extends horizontally when the upright section is in the storage position, then the dirt collection region or regions may be spaced above or below the air treatment member.

The air treatment member assemblies 110 used in combination with the apparatuses 100 described herein can include any suitable type and/or configuration of dirt collection chamber 190 and/or dirt collection chamber 190a to receive and retain dirt and debris separated from the dirty air flowing through the air treatment member, for example the cyclone chambers 188/188a. Optionally, the dirt collection chambers 190/190a can at least partially, laterally surround the cyclone chambers 188/188a. For example portions of the dirt collection chamber 190 can be positioned forward of the cyclone chamber 188, rearward of the cyclone chamber 188, to the left or right sides of the cyclone chamber 188, or any suitable combination thereof. Dirt chamber 190a and cyclone chamber 188a may have an analogous configuration. In addition, portions of the dirt collection chambers 190/190a can extend below and beneath the cyclone chamber (or optionally above and overlie), such that the cyclone chamber 188/188a overlies (or underlies) some or all of the dirt collection chamber 190/190a. Configuring the cyclone chamber 188 and the dirt collection chamber 190 in this manner, at least partially, may help reduce the overall size of the air treatment member assembly 110.

Optionally, the dirt collection chamber 190 may be configured so that the dirt collection chamber 190 is only positioned laterally beside the cyclone chamber 188, and that the dirt collection chamber 190 does not extend completely in front of or behind the cyclone chamber 188. Optionally, the dirt collection chamber 190 may be configured so that the maximum depth 300 (FIGS. 21 and 23) of the dirt collection chamber 190 is equal to or less than the maximum depth of the cyclone chamber 188 (e.g. its diameter 298 as shown in FIG. 22, or its axial length as shown in FIG. 37). In some configurations, the dirt collection chamber 190 may not have a uniform depth, and some portions of the dirt collection chamber 190 may be relatively shallower than others in the forward/rearward direction. In accordance with such embodiments some or all of the portions of the support structure 212 (e.g., struts 214) may be positioned at these shallower locations so as to be recessed inwardly from the outer lateral extent of the cyclone chamber (see e.g., FIGS. 18 and 19).

Referring to FIGS. 7, 8, and 22-24, in one embodiment the dirt collection chambers 190 have an upper region 302 that is provided adjacent each lateral side of the cyclone chamber 188, and a lower region 304 that is below the lower end wall 280 of the cyclone chamber 188, so as to underlie the cyclone chamber 188 in this embodiment. In this example, the cyclone chamber sidewall 282 contacts the front wall of

the air treatment member assembly 110, and subdivides the upper region 302 into left and right portions, that are laterally separated by the cyclone chamber 188. Each of the left and right portions is in communication with a respective one of the dirt outlets 288 of the cyclone chamber 188. Optionally, the left and right portions could be sealed such that they function as separate first and second dirt collection chambers 190, each on different lateral sides of the cyclone chamber 188. Alternatively, as shown in this embodiment, both the left and right portions can be in communication with the lower region 304, such that dirt exiting via either dirt outlet 288 can eventually be collected in the common lower region 304 (at least until the dirt level reaches the lower end 280 of the cyclone chamber 188, at which point the left and right portions may be temporarily isolated from each other). In this embodiment, the strut portions 214 of the support structure 212 of the cleaning unit 130 are positioned behind a respective dirt collection chamber 190. Optionally, the lower region 304 may also be configured to laterally surround another portion of the apparatus 100, such as the pre-motor filter 120 as shown in the embodiment of FIG. 52.

Optionally, instead of extending between the front and rear walls of the air treatment member assembly 110, the cyclone chamber 188 may be sized and/or positioned so that the dirt collection chamber 190 is at least partially in front or behind the cyclone chamber 188. Accordingly, the cyclone chamber will not extend all the way to the front or rear wall of the air treatment member assembly 110. This may help reduce the overall size of the air treatment member assembly 110, while providing a dirt collection chamber 190 with a desired internal volume. For example, in the embodiment of FIG. 39, the cyclone chamber 188 is partially nested within the dirt collection chamber 190, and the dirt collection chamber 190 partially laterally surrounds the cyclone chamber 188, but the front of the cyclone chamber 188 is offset from the front wall of the dirt collection chamber by an offset distance 306. In this embodiment, the total depth 256 of the air treatment member assembly 110 is greater than the cyclone diameter 298, and may be about equal to the sum of the cyclone diameter 298 and the offset distance 306. Optionally, in this embodiment the dirt collection chamber 190 may extend beneath the lower end of the cyclone chamber 188. In the embodiment of FIG. 82, the dirt collection chamber 190a is positioned both in front of and behind the cyclone chamber 188a. In this arrangement, the overall depth of the cyclone chamber 188a and the dirt chambers 190a is equal to the diameter 298 of the cyclone chamber 188, and therefore this arrangement does not require that the depth 256 of the air treatment member assembly 110 be larger than the diameter 298. Portions of the dirt collection chamber 190a are located on one side of the cyclone chamber 188 (to the right as illustrated in FIG. 82), while the dirt collection chamber 190 is positioned on the opposite side (the left as illustrated) of cyclone chamber 188. In this arrangement, the cyclone chamber 188 separates the dirt collection chambers 190a and 190 from each other.

Optionally, instead of providing dirt collection chambers 190, or portions thereof, on both lateral sides of the cyclone chamber 188, the dirt collection chamber 190 may be provided on only one lateral side of the cyclone chamber 188 and optionally may extend beneath the cyclone chamber 188. For example, in the embodiment of FIGS. 31-33, the cyclone chamber 188 is laterally offset toward one side of the air treatment member assembly 110, and the upper region 302 of the dirt collection chamber 190 is located only on one side of the cyclone chamber 188. The lower region 304 of the dirt collection chamber may extend across the



width of the air treatment member assembly **110**, including a region beneath and underlying the cyclone chamber **188**. Arranging the air treatment member assembly **110** in this manner may allow for a variety of different cyclone chamber placements, which may provide flexibility in the air flow path configuration. For example, if the suction motor **112** is located toward one lateral edge of the cleaning unit **130**, positioning the cyclone chamber **188** toward the same lateral side of the cleaning unit **130** may align the air flow path components.

In the embodiment of FIG. **40**, the cyclone chamber **188** is positioned on one lateral side of the air treatment member assembly **110**, while the dirt collection chamber is primarily located on the other lateral side, and a lower region **304** of the dirt collection chamber **190** may optionally underlie at least a portion of the cyclone chamber **188**. The embodiment of FIGS. **42-48** has an analogous configuration of the air treatment member assembly **110**, and is arranged so that the suction motor **112** is also offset toward the same side as the cyclone chamber **188**. In the embodiment of FIG. **79**, the dirt collection chamber **190** is located on one lateral side of the cyclone chamber **188**, and a lower portion **304** underlies a portion of the cyclone chamber **188**.

Optionally, the cyclone chamber **188** need not be nested within the dirt collection chamber in the forward/rearward direction at all, and in some embodiments may be located substantially and/or entirely forward or rearward of the dirt collection chamber **190**. Such configurations may allow the interior of dirt collection chamber **190** to be generally free from obstruction by the cyclone chamber **188**. This may also allow the cyclone chamber **188** to be nested within the support structure **212**, while the dirt collection chamber **190** remains located toward the front or rear of the cleaning unit **130**. This configuration may allow different air flow path configurations, as neither the inlet nor the exit conduits **294**, **290** need to pass through the interior of the dirt collection chamber **190**. In the embodiment of FIG. **38**, the cyclone chamber **188** is not nested within the dirt collection chamber **190**, and instead is offset behind the dirt collection chamber **190**. In this example, a single dirt outlet **288** is provided at the front of the cyclone chamber **188**, through which debris can travel laterally forwardly into the dirt collection chamber **190**. In this embodiment the overall depth **256** of the air treatment member assembly **110** is greater than the cyclone diameter **298**, and is generally equal to the sum of the cyclone diameter **298** and offset distance **306**.

Optionally, the dirt collection chamber **190** may be configured so that it does not extend underlie or extend below the bottom of the cyclone chamber **188**. Portions of the dirt collection chamber **190** may be positioned laterally beside the cyclone chamber **188**, and portions of the dirt collection chamber **190** may extend below the bottom end of the cyclone chamber **188** without extending beneath the cyclone chamber **188**. For example, FIG. **52** illustrates one embodiment wherein the dirt collection chamber **190** extends laterally beside the cyclone chamber **188**, and lateral portions of the dirt collection chamber **190** extend downwardly below the bottom end wall **280** of the cyclone chamber **188**, but do not underlie the cyclone chamber **188**. This may allow the space beneath the cyclone chamber **188** to be used to accommodate other components of the surface cleaning apparatus including, for example, the pre-motor filter **120** and pre-motor filter chamber **194** as illustrated in this embodiment. Nesting other portions of the surface cleaning apparatus **100** with the air treatment member assembly **110** may help reduce the overall size of the cleaning unit **130** and/or the surface cleaning apparatus **100**.

The dirt collection chamber **190** or **190a** may be sized to have any suitable internal volume for holding dirt. For example, the volume of the dirt collection chamber **190** may be between about 0.5 to about 2.5 liters, from about 1 to about 2 liters, or more in some applications, and may be between about 0.5 gallon and about 1 gallon. Optionally, the dirt collection chamber **190** can be configured so that at least a portion of the volume is provided laterally around the cyclone chamber **188** (such as the left and right portions in the upper region **302** of FIG. **23**). The portion of the volume that is laterally adjacent the cyclone chamber **188**, as opposed to being below or beneath the cyclone chamber **188** (such as the lower region **304** in FIG. **23**) may be between about 0% and about 100% of the total volume of the dirt collection chamber **190**, and optionally may be between about 25% and about 90%, between about 40% and about 80%, between about 50% and about 70% of the volume, and optionally may be at least 60% of the volume and/or at least 80% of the total dirt collection chamber volume in some embodiments.

In some embodiments, the dirt collection chamber **190** may have different depths at different locations within the dirt collection chamber. Referring to FIGS. **21** and **23**, in this example the upper region **302** (FIG. **23**) of the dirt collection chamber **190** has a depth **308** (FIG. **22**) that is less than the cyclone diameter **298** (which also corresponds to the cyclone chamber depth in this configuration), while portions of the lower region **304** of the dirt collection chamber have a depth **300** that is greater than the depth **308** of the upper region **302**, and may be about equal to the cyclone diameter **298**. Optionally, the depth **308** can be less than the diameter **162** of the wheels **158**. This may help reduce the overall size of the air treatment member assembly **110**. The embodiments of FIGS. **38** and **39** may have similar configurations, where the cyclone diameter **298** is greater than the depth **308** of at least the upper region **302** of the dirt collection chamber **190**. Alternatively, the air treatment member assembly **110** may be configured such that the minimum depth of the dirt collection chamber **190** is generally equal to or greater than the depth/diameter **298** of the cyclone chamber **188**. In the embodiment shown in FIG. **40**, the depth **300** of the dirt collection chamber **190** is substantially the same as the cyclone diameter **298**, and the overall depth **256** of the air treatment member assembly **110**. Similarly, the embodiments of FIGS. **35-37** may also be configured such that the depth of the dirt collection chamber is at least equal to the depth of the cyclone chamber.

Optionally, one or both ends of the dirt collection chambers **190/190a** may be openable for emptying. In the embodiment of FIGS. **10** and **11**, both ends of the dirt collection chamber **190** are openable, the upper end being opened when the upper door **262** is opened, and the lower end being opened when lower door **260** is opened. In the embodiment of FIG. **84**, the upper and lower ends of the dirt collection chamber **190** are opened by opening doors **262** and **260** respectively, while only the upper end of the dirt collection chamber **190a** is openable.

#### Pre-Motor Filter

The following is a description of pre-motor filters that may be used by themselves in any surface cleaning apparatus or in any combination or sub-combination with any other feature or features described herein. For example, the pre-motor filters described herein may be used with any one or more of the surface cleaning head, moveable wheels, upright section, air treatment member assemblies, carry handles, cyclone configurations, dirt collection chambers, suction motors, post-motor filters, cleaning unit air flow

ducts, above floor cleaning assemblies, low profile floor cleaning mode, bendable handle, adjustable handles, hose wraps and other features described herein.

In accordance with this aspect, the pre-motor filter may be positioned so as to be visible or accessible when the air treatment member assembly is removed. Alternately or in addition, the pre-motor filter assembly may be positioned in a linear air flow path extending from the air treatment member air outlet to the suction motor air inlet.

Optionally, a pre-motor filter may be provided in the air flow path between the air treatment member assembly and the suction motor. The pre-motor filter may be housed in a pre-motor filter housing that may, optionally, be provided in the cleaning unit **130**. The pre-motor filter may be any suitable filter, including a physical, porous media filter (e.g., foam, felt), electrostatic filter, HEPA filter and the like. The pre-motor filter may have any suitable physical configuration and may be positioned in any suitable location that is consistent with the cleaning unit and/or air treatment member in a given embodiment of the apparatus **100**.

In the illustrated embodiments (see for example FIGS. 7, 25, 30, 31, 34 and 52) the lower housing **192** of the cleaning unit **130** includes the pre-motor filter chamber **194**, which is positioned below and underlies at least a portion of the air treatment member assembly **110**. Optionally, the pre-motor filter chamber **194** may also be located above and overlies the suction motor **112** and motor housing **118**. Optionally, as shown in the embodiment of FIGS. 77-85, the pre-motor filter chamber **194** may be removable from the motor housing **118**.

In the embodiments of FIGS. 7, 25, 30, 31 and 34, the pre-motor filter **120** is a generally flat, planar type filter that includes a foam layer **310** and a felt layer **312** (FIG. 25). The pre-motor filter **120** extends in a generally lateral filter plane **314** (which is horizontal as illustrated in FIG. 7). The pre-motor filter **120** includes an upstream side **316** (FIG. 25) through which air can enter the pre-motor filter, and that has an upstream flow area (i.e. the cross-sectional area of the pre-motor filter taken in a plane orthogonal to the direction of air flow through the pre-motor filter). The pre-motor also has an opposing downstream side **318** (FIG. 25) through which air can exit the pre-motor filter **120**, and that has a downstream flow area. Optionally, the upstream and downstream flow areas may be substantially equal.

In these embodiments, the upstream side **318** may be in communication with an upstream header area **320** (FIG. 31), defined between the upstream side **318** of the pre-motor filter **120** and the bottom of the air treatment member assembly **110**, and a downstream header area **322**, defined between the downstream side **318** and the underlying portions of the cleaning unit **130**, which include the motor housing **118** and the post-motor filter chamber **196** in this embodiment. In this embodiment, the pre-motor filter chamber **194** and the pre-motor filter **120** overlie at least a portion of the suction motor **112** and at least a portion of the post-motor filter **122** and its respective post-motor filter chamber **196**. Stacking the components in this manner may help reduce the overall size of the cleaning unit **130**.

The pre-motor filter **120** may be removed from the pre-motor filter chamber **194** when the air treatment member assembly is removed (FIG. 25).

As exemplified in FIGS. 7, 30- and 34, the air exit aperture **292** in the bottom end of the air treatment member assembly **110** maybe generally centered in the left/right direction, and air therefore enters the upstream header at about the centerline of cleaning unit **130**. Alternatively, as shown in FIG. 31, the air exit aperture **292** (along with the

cyclone chamber **188** and exit conduit **290**) may be offset to one side of the cleaning unit **130**, such that air enters the upstream header **320** toward one side of the header. In either embodiment, the header **320** is configured to allow air to travel laterally across the upstream surface **316** of the pre-motor filter **120**, before being drawn through the pre-motor filter **120**.

In these embodiments, the pre-motor filter chamber **194**, and pre-motor filter **120**, may extend the entire lateral width **238** of the cleaning unit **130**. This may help increase the upstream and downstream flow areas. Alternatively, the pre-motor filter chamber **194** and pre-motor filter **120** may extend across only a portion of the width **238** of the cleaning unit **130**. Optionally, the pre-motor filter chamber **194**, and pre-motor filter **120**, may be configured to extend over at least 40%, and optionally at least 50%, at least 60%, at least 70%, at least 75%, at least 80% or more of the overall depth **201** of the cleaning unit **130**. Increasing the depth of the pre-motor filter **120** may help increase its upstream flow area and reduce the frequency of cleaning or replacing the pre-motor filter. Referring to FIG. 21, in this embodiment, the pre-motor filter chamber, and pre-motor filter, has a depth **324** that is over about 75% of the maximum cleaning unit depth **201**.

Alternatively, instead of being configured as a generally planar filter, the pre-motor filter **120** may be configured as a generally cylindrical filter. In the embodiment illustrated in FIGS. 49-52, the pre-motor filter **120** is itself configured as a generally cylindrical foam filter with a hollow, open interior that may be sized to fit around an optional outlet conduit **326**. The foam filter extends longitudinally between upper and lower ends along a filter axis **328**, which is generally vertical in the illustrated embodiment. In this example, the pre-motor filter **120** and outlet conduit **326** are concentrically positioned, and both extend along the filter axis **328**. In this embodiment, the filter axis **328** is co-axial with the cyclone axis **276**, but alternatively the pre-motor filter **120** may be laterally offset from the cyclone chamber **188**, such that the axes **328** and **276** are not co-axial, but optionally may still be substantially parallel to each other. The filter axis **328** is also parallel to the suction motor axis **330** in this embodiment, but need not be in other embodiments.

As exemplified in FIGS. 49-52, the pre-motor filter **120** is sized so that its diameter is less than the diameter of the pre-motor filter housing side wall. In this arrangement, a generally annular flow region is defined between the side wall and the outer wall of the filter which functions as the upstream surface **316**. This annular flow region functions as the upstream header **320**. An opposed inner wall of the filter surrounds and faces the outlet conduit **326** and functions as the downstream surface **318**. In this embodiment, the interior of the conduit **326** can function as the downstream header **322**. In this embodiment, the pre-motor filter **120** has a generally annular transverse cross-sectional area, taken in a plane that is orthogonal to the filter axis **328**.

Referring to FIG. 52, in the illustrated example, the projection of the suction motor axis **330** extends through the pre-motor filter chamber **194** and through the interior of the conduit, but does not actually intersect the foam filter itself. In this configuration the air exiting the pre-motor filter **120** may be traveling in the same direction as air entering the suction motor **112**, which could help reduce back pressure.

In this embodiment, the pre-motor filter chamber **194** and pre-motor filter **120** underlie the cyclone chamber **188** and overlie at least a portion of the suction motor **112**, but does

not extend beneath the dirt collection chamber **190** or above the post-motor filter chamber **196**.

#### Positioning of the Suction Motor

The following is a description of suction motors that may be used by themselves in any surface cleaning apparatus or in any combination or sub-combination with any other feature or features described herein. For example, the suction motors described herein may be used with any one or more of the surface cleaning head, moveable wheels, upright section, air treatment member assemblies, carry handles, cyclone configurations, dirt collection chambers, pre-motor filters, post-motor filters, cleaning unit air flow ducts, above floor cleaning assemblies, low profile floor cleaning mode, bendable handle, adjustable handles, hose wraps and other features described herein.

In accordance with this aspect, the suction motor housing **118**, and the suction motor positioned therein, may be sized so as not to increase the depth of the cleaning unit **130** or the upright section at the location of the cleaning unit **130**. Accordingly, the diameter **335** of the suction motor housing **118** may be equal to or less than depth **201** and may be equal to or less than depth **230**. Optionally, the suction motor may be sized so that the depth **230** of the air treatment member assembly **110** is the same as the diameter of the suction motor  $\pm 2$  inches or  $\pm 1$  inches. Optionally, as shown in FIG. **20**, the diameter of the suction motor may be the depth of the cleaning unit from front plane **198** to rear plane **200**.

The suction motor **112** used in combination with the embodiments described herein may be any suitable type of suction motor, and may include a motor portion and a fan/impeller portion for moving the air. For example, the suction motor **112** may be an AC motor or a DC motor, or both. The suction motor **112** may be powered by plugging the apparatus **100** into a wall outlet (typically AC power), by using an on board power source **332** (schematically illustrated in FIG. **30**) such as batteries and/or capacitors—typically DC) or both. The suction motor **112** may be of any suitable power, and may be at least 300 W, 400 W, at least 500 W, at least 600 W, at least 700 W, at least 800 W, at least 900 W and at least 1000 W or more. The lower power ranges, e.g., 300 W-500 W are particularly suitable for a hand held or battery powered construction as disclosed herein. The suction motor may be positioned at any suitable location within the surface cleaning apparatus **100**, and in any suitable orientation. For example, the suction motor **112** may be positioned above the air treatment member assembly **110**, or alternatively, as illustrated, may be positioned generally below the air treatment member assembly **110**, and optionally may underlie at least a portion of the air treatment member assembly **110**.

In the embodiment of FIG. **7**, the suction motor **112** is positioned below the air treatment member assembly **110**, in the motor housing portion **118** of the lower housing **192** of the cleaning unit **130**. In this example, the suction motor **112** underlies the cyclone chamber **188** and the air exit conduit **290** (see also FIG. **21**), and is positioned such that the axis of rotation **330** of the suction motor **112** is generally parallel to, but offset rearwardly from the cyclone axis **276** (FIG. **21**). In this configuration, air travels generally downwardly through the air exit conduit **290** and into the suction motor housing **118**.

In this embodiment, the suction motor **112** is generally centered between the lateral sides of the cleaning unit **130** in the lateral direction (FIG. **7**), and is offset slightly toward the rear side of the cleaning unit **130** in the forward/rearward direction (FIGS. **20** and **21**). In this arrangement, the motor

axis **330** is parallel to and offset rearwardly from the handle axis **134** (when the handle is in the upright position).

The suction motor **112** and the suction motor housing **118** may have any suitable size and shape, and in the embodiment of FIG. **20**, has a motor diameter **335** (taken at its widest location) that is only slightly less than the depth **230** (FIG. **18**) of the air treatment member assembly **110** and/or of the overall depth **201** of the cleaning unit **130**.

In the embodiment of FIG. **20**, the motor diameter **335** is about 90% of the overall depth **201**, and the motor housing **118** extends the entire distance from the rear plane **200** to the front plane **198**. In this arrangement, none of the other operating components of the surface cleaning apparatus (such as the pre-motor filter, air conduits, post-motor filter and the like) is position forward or rearward of the suction motor **112**. This may help reduce the overall depth of the cleaning unit **130**. In this configuration, portions of the post-motor filter **122** are laterally beside the suction motor **112** (such that plane **232** intersects the suction motor **112**), along with portions of the air flow path (i.e. portions of the wand **222** in this embodiment). Positioning the components laterally with respect to each other may help reduce the overall depth of the cleaning unit **130**.

The embodiments of FIGS. **30**, **31** and **52** also have the suction motor **112** in the lateral centre of the cleaning unit **130**, and oriented so that the motor axis **330** is generally upright/vertical when the upright section is in the storage position and parallel to the cyclone axis **276**.

Alternatively, instead of positioning the suction motor **112** in the lateral middle of the cleaning unit **130**, it may be offset toward one of the sides of the cleaning unit **130**. This may help align the suction motor **112** with other operating components (such as if the cyclone chamber **188** is offset toward one side of the air treatment member assembly **110**), and/or may allow for different configurations of the air flow path, and in particular the location and configuration of the post-motor filter as described herein.

FIG. **34** illustrates one embodiment where the suction motor **112** is laterally offset toward one side of the cleaning unit **130** (to the left as illustrated). In this embodiment, the cyclone chamber **188** is not offset, and remains in the lateral centre of the air treatment member assembly **110**, such that the motor axis **330** is parallel to the cyclone axis **276**, but is both laterally and forward/rearwardly offset from the cyclone axis **276**. In this configuration, a projection of the motor axis **330** does not intersect the cyclone chamber **188** (although it does pass through the pre-motor filter chamber **194**, post-motor filter chamber **196** and dirt collection chamber **190**), and a projection of the cyclone axis **276** does not intersect the suction motor **112**.

In contrast, FIG. **31** illustrates an alternative embodiment in which the suction motor **112** is laterally centered, while the cyclone chamber **188** is laterally offset.

Positioning the suction motor **112** toward the lower end of the cleaning unit **130** may help lower the position of the centre of gravity of the cleaning unit **130**, which may help facilitate steering and maneuvering of the surface cleaning apparatus **100**.

While illustrated with the motor axis **330** in the generally upright direction, the suction motor **112** may also be positioned so that the motor axis **330** is generally horizontal, in orientations analogous to the cyclone chamber configurations described herein. Orienting the suction motor **112** laterally may help reduce the overall height of the cleaning unit **130**.

## Post-Motor Filter

The following is a description of post-motor filters that may be used by themselves in any surface cleaning apparatus or in any combination or sub-combination with any other feature or features described herein. For example, the post-motor filters described herein may be used with any one or more of the surface cleaning head, moveable wheels, upright section, air treatment member assemblies, carry handles, cyclone configurations, dirt collection chambers, pre-motor filters, suction motors, cleaning unit air flow ducts, above floor cleaning assemblies, low profile floor cleaning mode, bendable handle, adjustable handles, hose wraps and other features described herein.

In accordance with this aspect, the post-motor filter, if provided, is positioned so not increase the depth of the cleaning unit **130**. Accordingly, the post-motor filter may be positioned so as not to be forward and/or rearward of the suction motor. For example, one or more post-motor filters may be positioned laterally from the suction motor and/or below the suction motor. Accordingly, a post-motor filter may be positioned on each lateral side of the suction motor. In such an embodiment, a clean air outlet may be provided on each lateral side of the cleaning unit.

The post-motor filter may be housed in a post-motor filter chamber positioned in the air flow path downstream from the suction motor. The post-motor filter may be housed in a suitable post-motor filter housing that can, optionally, be provided on the cleaning unit. The post-motor filter may be any suitable filter, including a physical, porous media filter (foam, felt), filter bag, electrostatic filter, HEPA filter and the like. The post-motor filter may have any suitable physical configuration and may be positioned in any suitable location that is consistent with the cleaning unit and/or air treatment member in a given embodiment of the apparatus **100**.

In the embodiment of FIGS. **7**, **20**, **31** and **52**, air is exhausted through a clean air outlet **108** provided on each lateral side of the suction motor **112**, and the lower end of the cleaning unit **130** includes two post-motor filter chambers **196**—one positioned on each lateral side of the suction motor housing **118** and suction motor **112** upstream from the respective clean air outlet. A post-motor filter **122**, provided, e.g., in the form of a porous filter media, is positioned in each post-motor filter chamber **196**. Respective clean air outlets **108** are provided on each lateral side of the cleaning unit **130**, each in air flow communication with one of the post-motor filter chambers **196**. The post-motor filters **122** in this embodiment have a depth **336** (FIG. **20**) that is less than the depth **201** of the cleaning unit **130**, and less than the diameter **335** of the suction motor **112**.

Alternatively, instead of providing post-motor filters **122** on both lateral sides of the suction motor **112**, the apparatus **100** may be configured so that a post-motor filter chamber **196**, and the post-motor filter **122** provided therein, are only provided adjacent one lateral side of the suction motor **112**. For example, in the embodiments of FIGS. **34** and **46** the suction motor **112** is offset toward one side of the cleaning unit **130**, while the post-motor filter chamber **196**, post-motor filter **122** and a single clean air outlet **108** are positioned toward the other lateral side. In these embodiments, the post-motor filter **122** at least partially overlaps the suction motor **112** in the forward/rearward direction.

Optionally, the post-motor filter chamber **196**, and post-motor filter **122**, may be positioned to overlap other components in the forward/rearward direction. Referring to FIGS. **20** and **46**, in these examples, the post-motor filters **122** are positioned so that portions of the air flow conduits (wand **222** and upflow duct **224**) are located behind the

post-motor filters **122** (i.e. rearward of the post-motor filters in the forward/rearward direction). The depth of the filters in the direction of axis **144** may be reduced (e.g., they may have about the same depth as the portion of the dirt collection regions that they underlie. This may help reduce the overall depth of the cleaning unit **130**.

In other embodiments, such as shown in FIG. **30**, the post-motor filter chamber **196** and post-motor filter **122** are located entirely below the suction motor **112**, such that the post-motor filter **122** does not overlap the suction motor **112** in the vertical/upright direction. In this embodiment, the suction motor **112** overlies at least a portion of the post-motor filter **122**. This may allow other components to be positioned laterally beside the suction motor **112**, such as on board batteries **332**, etc., while still providing a post-motor filter **122** of acceptable size and configuration. Optionally, the post-motor filter **122** may be configured to have the same size and shape as the pre-motor filter **120**. In this embodiment, clean air outlets **108** may be provided on one side of the cleaning unit **130**, both sides of the cleaning unit **130**, the front of the cleaning unit **130** and/or the rear of the cleaning unit **130**, or any combination thereof.

Like the pre-motor filters, each post-motor filter **122** has an upstream side, through which air enters the post-motor filter, and an opposing downstream side, through which air exits the post-motor filter.

## Cleaning Unit Airflow Ducts

The following is a description of cleaning unit air flow ducts that may be used by themselves in any surface cleaning apparatus or in any combination or sub-combination with any other feature or features described herein. For example, the cleaning unit air flow ducts described herein may be used with any one or more of the surface cleaning head, moveable wheels, upright section, air treatment member assemblies, carry handles, cyclone configurations, dirt collection chambers, pre-motor filters, suction motors, post-motor filters, above floor cleaning assemblies, low profile floor cleaning mode, bendable handle, adjustable handles, hose wraps and other features described herein.

In accordance with this aspect some or all of the air flow conduit of the upright section may be configured to have an aspect ratio that reduces the overall depth of the upright section that houses the cleaning unit. For example, some or all of the portions of the air flow conduit that are co-extensive with the cleaning unit **130** may be non-circular (e.g., elliptical or a parallelogram (e.g., rectangular) so that their lateral extent is greater than their depth in the direction of axis **144**. Accordingly, the volume of the air flow conduits need not be reduced by changing them from circular in cross section, but may be increased by increasing the length of the conduits in a direction transverse to axis **144**.

Alternately, or in addition, some or all of the portions of the air flow conduit that are co-extensive with the cleaning unit **130** may be positioned at locations of the cleaning unit that are located inwardly of the outer lateral extent of the cyclone chamber **188**. In this way, the depth of the upright section that houses the cleaning unit need not be increased by the air flow passages that are co-extensive with the cleaning unit or the extent to which they increase the depth may be reduced.

It will be appreciated that, when the apparatus **100** is operated in a floor cleaning mode, the air flow conduits that are co-extensive with the cleaning unit may form part of the cleaning unit itself (see the embodiments of FIGS. **42-48** and FIGS. **49-52**) or may be separate removable components (such as a wand—as in the embodiment of FIG. **1**).

Referring to FIG. 8 as an example, in the illustrated embodiments the cleaning unit includes an air inlet 338 at its lower end that is in air flow communication with the surface cleaning head air outlet 340. In this embodiment, the air flow path extends through the pivoting/swivel joint 342 (see also FIG. 2) that structurally connects the cleaning unit 130 to the surface cleaning head 104. This may reduce the need to provide separate structural and air flow connections.

Air then travels upwardly through the cleaning unit upflow duct 224 which may extend directly to the air treatment member assembly (FIG. 48) or may be indirectly connected to the air treatment member assembly via the wand 222, the hose 113 and a transition member 344 that has an inlet 346 connected to the hose 113 on one side, and outlet 348 that is connectable to the air inlet of the air treatment member assembly 110 (see also FIG. 10). In this example, the wand 222 has a generally circular cross-sectional shape, but could have a different configuration in other examples.

Optionally, the transition member 344 may be configured so that its inlet 346 has a different cross-sectional shape than its outlet 348 (taken in a direction orthogonal to the direction of air travel). For example, in this embodiment the inlet 346 is generally circular to match the transverse cross section of the hose 113, while the outlet 348 is generally rectangular in cross-sectional shape, with a width 350 and a length 352 (FIG. 10). Using a rectangular shape may help provide a desirable flow area (i.e. the cross-sectional area at the outlet) while having a depth in the forward/rearward direction that is less than the hose diameter 356 (FIG. 4). This may help reduce the overall depth 201 of the cleaning unit 130.

Similarly, some or all of the conduits that are co-extensive with cleaning unit (e.g., up flow duct 224 as exemplified in FIG. 46 and wand 222) may be non-circular as discussed. This embodiment is particularly useful if the up-flow duct 224 extends to the air treatment member inlet.

#### Above Floor Cleaning Assembly

The following is a description of above floor cleaning assemblies that may be used by themselves in any surface cleaning apparatus or in any combination or sub-combination with any other feature or features described herein. For example, the above floor cleaning assemblies described herein may be used with any one or more of the surface cleaning head, moveable wheels, upright section, air treatment member assemblies, carry handles, cyclone configurations, dirt collection chambers, pre-motor filters, suction motors, post-motor filters, cleaning unit air flow ducts, low profile floor cleaning mode, bendable handle, adjustable handles, hose wraps and other features described herein.

Optionally, an above floor cleaning assembly may be provided to allow the apparatus 100 to be used in an above floor cleaning mode. The above floor cleaning assembly may include any suitable apparatus, including a rigid or flexible wand 222, a flexible air flow conduit such as a hose 113, auxiliary cleaning tools and the like. Optionally, referring to the embodiments shown in FIGS. 2, 2A and 49 for example, the cleaning wand 222, hose 113 or a combination thereof may be detachable from the cleaning unit 130 and used in an above floor cleaning mode. In such a configuration, the air flow connection between the dirty air inlet 106 in the surface cleaning head 104 and the air treatment member assembly 110 would be interrupted and the upstream end 226 of the wand 222 or hose 113 (or auxiliary tool connected thereto) may serve as an auxiliary dirty air inlet for the apparatus 100.

It will be appreciated that the wand and/or hose may or may not form part of the air flow path in the floor cleaning mode. In the embodiment of FIGS. 2-8, the wand 222 may

be disconnected, such that the upstream end 226 of the wand 222 (the lower end when mounted to the upright section and the upright section is in the stored position) forms an auxiliary dirty air inlet for use in the above floor cleaning mode. Optionally, the upstream end 360 of the hose 113 may be detachable from the downstream end of the wand 222, such that the upstream end 360 of the hose may alternately form an auxiliary dirty air inlet in another above floor cleaning mode (without the need to detach or use the wand), or alternatively the upstream end 360 of the hose 113 may be connected to a different, auxiliary cleaning tool. In this embodiment, the apparatus 100 may be changed from a floor cleaning mode to an above floor cleaning mode without having to adjust the connection between the hose 113 and the cleaning unit 130 (i.e. at the downstream end of the hose 113), and at least the hose 113, and optionally the wand 222, may form part of the air flow path in both modes.

In the embodiment shown in FIGS. 49-52, the apparatus 100 includes a detachable cleaning wand 222 that forms part of the air flow path, but the cleaning wand forms part of the drive handle 124 (i.e. is positioned between the hand grip 136 and acting as the extension member 126), rather than forming part of the cleaning unit 130. To provide air flow communication in a floor cleaning mode, the cleaning unit 130 includes a longer up flow duct 224 than in the embodiment of FIG. 8, which may be provided towards the rear side of the cleaning unit 130. The cleaning wand 222 is positioned to in air flow communication with the outlet end of the upflow duct 224, and may be secured, e.g., by using a releasable latch 362 (FIG. 51).

When the wand 222 is secured, air can travel upwardly through the wand 222 and into the attached hose 113, which has a downstream end that is connected to the cleaning unit 130, via a suitable transition member 344. To transition to an above floor cleaning mode, the upstream end 226 of the wand 222 may be detached, such that both the wand 222 and hose 113 form an above floor cleaning assembly that is part of the air flow path in the above floor cleaning mode. Alternatively, the hand grip portion 136 may be detached from the upper end of the wand 222, while remaining attached to the hose 113, or the upstream end 360 of the hose 113 may be detached from the hand grip portion 136, to provide alternative above floor cleaning configurations, in which only the hose 113 remains part of the air flow path.

Alternatively, the apparatus may include an above floor cleaning assembly, optionally including a wand 222 and flexible hose 113, which do not form part of the air flow path when the apparatus 100 is in the floor cleaning mode. In such embodiments, portions of the air flow path may be reconfigured, and the hose 113 and wand 222 may be connected and/or disconnected to the cleaning unit 130 (or other suitable portion, such as the surface cleaning head 104) when changing operating mode. Optionally, one or more valves may be provided in the air flow path to help reconfigure the air flow path as needed. The valves may be manually actuable, or may be automatically actuated by changing the configuration of the apparatus.

The embodiment of FIGS. 42-48, illustrates one embodiment in which the hose 113 does not form part of the air flow path in the floor cleaning mode, but does form part of the air flow path in an above floor cleaning mode. As shown in FIGS. 42 and 48, when the apparatus 100 is in a floor cleaning mode, an air flow path is provided between the dirty air inlet 106 and the air treatment member assembly 110 and includes portions of the joint 342 connecting the cleaning unit 130 to the surface cleaning head 104, and air flow conduits 224 within the cleaning unit 130.

## 61

For example, in this embodiment (and in the other embodiments described herein) the joint 342 allows the cleaning unit 130 to pivot about pivot axis 364 (or otherwise rotate) relative surface cleaning head to an inclined, use position, and, optionally, may also function as a rotatable mount so that the upright section 102 may rotate clockwise or counter clockwise with respect to the surface cleaning head 104 about an upright section rotation axis 366 (FIG. 42) so as to be useable to permit handle 124 to be used to steer the cleaning head 104 left or right. In this embodiment, the rotation axis 366 is inclined relative to the cleaning unit axis 204 (and therefore inclined relative to the drive/handle axis 134), but alternatively the joint 342 may be configured so that the axes 366 and 204 are generally parallel to each other, and may be co-axial. The joint 342 may have an internal upflow duct with a generally circular cross-sectional area.

As exemplified in this embodiment, the up flow duct 224 may have a generally rectangular perimeter shape and cross-sectional area, and has a vertically extending portion that is laterally offset from the suction motor 112 and its housing 118 and nested behind the post-motor filter 122 (FIGS. 46 and 47). In this configuration, the diameter 335 of the suction motor 112 is greater than the depth 368 of the air flow conduit in the forward/rearward direction of both the vertically extending (FIG. 46) and laterally extending (FIG. 45) portions of the air flow conduit. In this embodiment, the air outlet 286 of the air treatment member assembly 110 is substantially aligned with the air inlet of the suction motor 112 (see also FIGS. 45 and 46).

To operate in an above floor cleaning mode, a port 370 on the side of the cleaning unit 130 is opened to provide access to the air flow path. The hose 113 may then be connected to the air flow path. Optionally, a transition member may be provided to connect the generally round outlet end of the hose to the generally rectangular air flow conduit in the cleaning unit. Optionally, the transition member may be configured so that the flow area remains generally constant along the length of the transition member, even as the perimeter shape changes. The transition member may be provided with, and be removable with, the hose 113 as illustrated, or alternatively may be formed as part of the cleaning unit 130 or provided as a separate piece.

Preferably, the outlet end of the transition member may be configured to have a generally similar shape as the portion of the air flow path it is intended to be connected with, such as portions of the up flow duct and air flow conduits in the cleaning unit. This may help facilitate mechanical connection of the transition member to the air flow conduits, and may help reduce changes in the flow area along the length of the air flow path.

In the illustrated embodiment, the transition member is provided in the form of a transition member 344 that has an inlet end 346 that is generally round (i.e. the same shape as the outlet end of the hose 113) and an outlet end 348 that is rectangular (i.e. the same shape as the air flow conduit in the cleaning unit 130). In this configuration, the transition member 344 is sized so that at its outlet end 348 its height 372 (FIG. 48) in the upright direction and a length 373 in the lateral direction, each of which can be greater than its depth 368 in the forward/rearward direction (FIG. 45), and optionally can be at least about 1.2 times the depth 368, at least about 1.4 times the depth 368, at least 1.6 times the depth, at least 1.8 times the depth or more. This may help reduce the depth 201 of the cleaning unit 130, and may help provide a desired connection between the hose 113 and the air treatment member assembly 110.

## 62

Referring to FIGS. 43-45 and 47, to attach the hose 113 to the cleaning unit 130, the outlet end 348 of the transition member 344 may be inserted into the port 370. In this position, the sidewall 374 of the transition member 344 blocks the up flow duct 224 in the cleaning unit 130 (interrupting air flow communication between the surface cleaning head 104 and the air treatment member assembly 110), and the outlet end 348 of the transition member 344 connects to the air inlet of the air treatment member assembly 110. To return to floor cleaning mode, the transition member 344 is extracted and the port 370 is closed, thereby re-establishing air flow communication between the air treatment member assembly 110 and the surface cleaning head 104. Preferably, the port is closed by a door 376 (FIGS. 42 and 43) that is biased to its closed, sealed position (FIG. 43). Alternatively, the door 376 need not be biased. It will be appreciated that, if the outlet of the connector extends to the entrance to a cyclonic air inlet for a cyclone chamber, the cross section of the outlet in the direction of flow is preferably proximate that or the same as that of the entrance to the cyclonic air inlet.

In this example, the air inlet of the air treatment member assembly 110, and the air inlet of the cyclone chamber 188 may each be configured to have a generally similar shape to the air flow conduit 224 and/or the outlet end 348 of the transition member. Accordingly, the air flow path through these conduits may have the same or generally the same cross-sectional area in the flow direction, thereby reducing the back pressure which could be caused by changing the cross sectional area in the flow direction.

As exemplified in FIGS. 46 and 47, the air inlet 284 of the cyclone chamber 188 may have a height 378 in a direction of a longitudinal axis of the upright section that is  $\pm$ about 15% of a width 380 of the up flow duct 224 in a direction transverse to the central longitudinal axis 144 and the air inlet 284 of the air treatment member may have a depth in the direction of the longitudinal axis of the upright section that is  $\pm$ about 15% of the depth of the up flow duct in the direction of the longitudinal axis of the upright section.

The air flow conduits 224 in the cleaning unit, and optionally the wand 222 and hose 113, may have any suitable shape, including rectangular, ovaloid, round and the like. Providing non-round conduits may help provide conduits that can be relatively narrow in the forward/rearward direction while still having a desired flow area. For example, the air flow duct 224 can have a length 380 (FIG. 46) in a lateral direction that is transverse to the central longitudinal axis 144 that is greater than the depth 368 of the air flow duct 224 in the forward/rearward direction (i.e. the direction of the central longitudinal axis 144). Optionally, the length 380 may be at least 1.5 times the depth 368, at least 2 times the depth 368, at least 2.5 times the depth 368 or more.

## Low Profile Floor Cleaning Mode

The following is a description of a low profile floor cleaning mode that may be used by themselves in any surface cleaning apparatus or in any combination or sub-combination with any other feature or features described herein. For example, the low profile floor cleaning mode described herein may be used with vacuums having any of the surface cleaning head, moveable wheels, upright section, air treatment member assemblies, carry handles, cyclone configurations, dirt collection chambers, pre-motor filters, suction motors, post-motor filters, cleaning unit air flow ducts, above floor cleaning assemblies, bendable handle, adjustable handles, hose wraps and other features described herein.

In accordance with this aspect, in addition to be operable in a conventional, upright floor cleaning mode, the apparatus may also be operable in at least one additional floor cleaning mode, such as a low profile cleaning mode for cleaning under furniture and other obstacles. An advantage of this mode is that, using the slab like configuration provided herein, the surface cleaning head may extend further, and possibly, all the way under furniture having a low ground clearance.

Preferably, upright section may be reconfigurable to help configure the apparatus **100** in a low profile cleaning mode. For example, the handle **124** may be reconfigurable and/or may be movably connected to the cleaning unit **130** so that the orientation of part or all of the handle **124**, and the hand grip portion **136**, may be changed relative to the cleaning unit **130**.

Referring to FIGS. **12** and **13** as an example of configurations that may be achieved using embodiments described herein (including in FIGS. **42-57**), the cleaning unit **130** may be positioned in a low profile mode, in which the cleaning unit axis **204**, and front and rear planes **198** and **200**, are generally horizontal and parallel to the surface being cleaned (i.e. can be parallel and/or within about 15 degrees of parallel or less). In this mode, the overall height **240** of the cleaning unit **130** (i.e. the distance from the ground to the front plane **198**) may be generally similar to the depth **201** of the cleaning unit **130**, and may be less than about 6 inches and less than 4 inches in some examples.

Optionally, an additional low profile support wheel **382** may be provided on the rear face of the cleaning unit **130** (see also FIG. **2**). This wheel **382** may be positioned so that it is spaced apart from the floor when the cleaning unit **130** is in an inclined floor cleaning mode, and in contact with the floor when the cleaning unit **130** is in the low profile cleaning mode. Providing a support wheel **382** may help the cleaning unit **130** roll across the surface, and may help reduce the chances of the cleaning unit **130** scratching or otherwise damaging the floor. The support wheel **382** may carry at least some of the load of the cleaning unit **130**, which may help reduce the amount of weight felt by a user when operating the apparatus **100** in this mode. Preferably, the support wheel **382** is provided toward the upper end of the cleaning unit **130**, but alternatively may be provided in alternative locations on the cleaning unit **130**. While a single, roller-like support wheel **382** is illustrated, more than one support wheel may be used. Optionally, the support may be any other type of wheel or glide, such as a swivel/caster type wheel that can swivel relative to the cleaning unit, as well as having a rotation axis. This may help the steerability of the apparatus **100** in the low profile cleaning mode.

#### Bendable Handle

The following is a description of bendable handles that may be used by themselves in any surface cleaning apparatus or in any combination or sub-combination with any other feature or features described herein. For example, the bendable handles described herein may be used with vacuums having any one or more of the surface cleaning head, moveable wheels, upright section, air treatment member assemblies, carry handles, cyclone configurations, dirt collection chambers, pre-motor filters, suction motors, post-motor filters, cleaning unit air flow ducts, above floor cleaning assemblies, low profile floor cleaning mode, adjustable handles, hose wraps and other features described herein.

In accordance with this aspect, the push handle **124** of a surface cleaning apparatus is reconfigurable into the low profile cleaning mode whereby the cleaning unit **130** may be

position such that the longitudinal axis of the cleaning unit **130** may be oriented so as to extend generally horizontally (e.g., within 25°, 20°, 15°, 10°, 5° of horizontal) or may in fact extend horizontally without the user having to fully bend over.

The apparatus may be positionable in the low profile cleaning mode using any suitable mechanism. For example, the handle **124** may be bendable and/or movably connected to the cleaning unit **130**, such that the orientation of the handle, and hand grip **136**, relative to the cleaning unit **130** may be changed. This can allow a common handle **124** and/or hand grip **136** to be used in both the inclined floor cleaning mode and the low profile cleaning mode. Alternatively, a separate low profile handle apparatus may be provided, such that different handles and/or hand grips are used in the different cleaning modes.

Preferably, the length **384** (FIG. **12**) of the elongate extension member **126** is selected so that when the apparatus is in the low profile cleaning mode the hand grip **136** is at a comfortable height **138** for a user to grasp. For example, the apparatus may be configured so that the height **138** from the floor to the hand grip **136** in the low profile cleaning mode (FIG. **12**) may be between about 20 inches and about 40 inches, and preferably is between about 30 inches and about 40 inches. In addition, the apparatus **100** may also be configured so that when the handle **124** is not pivoted, the height **138** from the floor and the hand grip **136** (FIG. **5**) is in a desired range, of between about 30 inches and about 48 inches. As discussed subsequently herein, the handle may be telescopically mounted.

As exemplified in FIGS. **1**, **12**, **13** and **21**, the handle **124** may be moveably mounted to the support structure **212**, preferably at or towards the upper end of the cleaning unit **130**, by a rotational joint which may be in the form of a pivot joint **386**. The pivot joint **386** includes at least a first pivot axis **388**, about which the handle **124** may pivot. In this embodiment, the pivot axis **388** extends in the lateral (i.e., side-to-side) direction. In this embodiment, the handle **124** may pivot forwardly between a generally upright position (FIG. **1**), in which the handle axis **134** is generally parallel to the cleaning unit axis **204**, and a low profile position (FIG. **13**), in which the handle axis **134** is generally orthogonal to the cleaning unit axis **204**. In the exemplified embodiment, the pivot joint is provided overlying the cleaning unit. Accordingly, when in the upright position, the axis **134** may intersect one or more of the suction motor **112**, the air treatment member assembly **110** (e.g., optionally both the cyclone chamber **188** and dirt collection chamber **190**) and the pre-motor filter **120** (see also FIG. **21**), as well as intersecting the pivot joint **386**.

In this example, the support structure **212** may be configured such that it is located to partially or fully overlie the upper end of the cleaning unit **130** (e.g., cross-member **216**). An advantage of this configuration is that the pivot joint need not be located rearward of the cleaning unit **130** and therefore need not increase the height of the front of the cleaning unit **130** from the floor when the apparatus **100** is in the low profile mode. The pivot joint **386** may be connected to such forwardly extending portion of the support structure **212** (cross-member **216**), such that the pivot joint **386** may overlie a portion of the air treatment member assembly **110** when the apparatus **100** is in the storage position (FIG. **21**). In this configuration, at least some portion of the air treatment member assembly **110** extends rearwardly of the longitudinally extending extension member **126** when the upright section **102** is in the generally upright position (FIG. **21**).

Preferably, the pivot joint **386** may be locked with the extension member **126** in the upright configuration (FIGS. 1-5), and may be unlocked to allow the extension member **126** to pivot relative to the cleaning unit **130**. Optionally, the pivot joint may be unlockable by applying rotational torque to the pivot joint **368** (e.g., the lock may comprise inter-engaging detents that may rotate by each other when sufficient rotational torque is applied). Optionally, an unlocking actuator may be provided to allow a user to unlock the pivot joint **386**. In the embodiments, the unlocking actuator includes a button **390** that is adjacent the hand grip portion **136**. The button **390** may be pressed by a user, which may urge a linkage rod **392** (FIG. 21) within the extension member **126** downwardly, thereby disengaging a latch **394** member and allowing the extension member **126** to pivot. Optionally, the linkage rod **392** and/or button **390** may be biased toward the locked positions. Other suitable pivoting mechanisms, locking mechanisms and actuators, as well as positioning of the actuator, may be used, including those described in U.S. patent application Ser. Nos. 13/781,470, and 12/720,570 which are incorporated herein by reference.

Optionally, the pivot joint **386** may be nested with other components on the cleaning unit **130**, preferably in the forward/rearward direction, which may help reduce the overall depth **201** of the cleaning unit **130**. In the embodiment shown in FIG. 21, the pivot joint **386** is located toward the front side of the cleaning unit **130**, and is forward of the hose **113**, and its hose support **396**. In this arrangement, the pivot axis **388** is forward of the air flow path, forward of a central plane of the cleaning unit and overlies portions of the cyclone chamber **188** and dirt collection chamber **190**. When reclined into the low profile cleaning mode, the pivot axis **388** is above and overlies the hose **113**. Arranging the pivot joint **386** toward the front of the cleaning unit **130** may help facilitate placing the hose **113** and hose support **396** toward the rear side of the cleaning unit **130**, while helping to reduce the overall depth **201**.

In this embodiment, the pivot joint **386** may at least partially overlie the carry handle **258** on the air treatment member assembly **110** in the forward/rearward direction, when the apparatus is in the storage position (FIG. 1). Nesting the components in this manner may help reduce the overall depth **201** of the cleaning unit **130**.

Optionally, as illustrated in the embodiment of FIGS. 49-52, the movable portion of the handle may include a portion of the air flow path.

Optionally, in addition to pivoting into a low profile use position, the handle **124** may be moveable into a storage position to help reduce the overall size of the apparatus **100** when it is not in use or during shipment.

Referring to FIGS. 14-17, in one embodiment the handle **124** may be moveably connected to the cleaning unit **130** such that it may be move forwardly to the low profile cleaning position (FIGS. 12 and 13), and may then be moved further forwardly (rotated forwardly) into a storage position as exemplified in FIG. 14 or 16. In this embodiment, the pivot joint **386** includes a second pivot axis **398** that is generally parallel to the pivot axis **388**, thus providing two pivot joints, pivot joint **422** having an axis **388** and pivot joint **424** having an axis **398**. When in the storage configuration, the second pivot joint **424** may be positioned above, and may lie in the same plane as, pivot joint **422**. In this position, the second axis **398** may also be forward of the hose **113** and hose support **396**, and may overlie the cyclone chamber **188** and dirt collection chamber **190** (FIG. 1). Alternatively, the second pivot axis **398** may be offset forward or rearwardly from the pivot axis **388**. Preferably,

the rotation about the second pivot axis **398** may be restrained by a second lock. The lock may be any suitable mechanism, and may include a release actuator **400** that is provided at any location, e.g., adjacent or as part of pivot joint **424**. In this embodiment, a user may manually release the second lock by releasing the actuator **400** (FIGS. 14 and 16). In this embodiment, when the handle **124** is in the storage position, the handle axis **134** intersects both the first and second pivot joints **386A** and **386B**. That is, the pivot joints **422** and **424** are positioned generally beneath the extension member **126**, along the drive axis of the apparatus **100**.

FIGS. 72-76 exemplify another embodiment that comprises two separate pivot joints **422** and **424**. Rotating the elongate member **126** about one of the pivot axes **388** and **398** moves the handle **124** into the low profile cleaning position, and then rotating about the other of the axes **388** and **398** further moves (rotates) the handle **124** into the storage position (FIG. 76). In this embodiment, the handle **124** rotates about the first axis **388** to move into the low profile cleaning position, and about the second axis **398** to move into the storage position.

As exemplified in FIG. 73, rotation about both axes **388** and **398** may be prevented by locking pivot joint **424** (as shown in FIGS. 72 and 73), and rotation about each axis **388** and **398** may be selectively, and independently, enabled by unlocking pivot joints **422** and **424**.

When the lower pivot joint **422** is locked, as illustrated in FIG. 73, a tab portion **426** of a lower slider **428** protrudes through a gap **430** in a lower housing **432** and engages an intermediary housing **434**. In this configuration, interference between the tab **426** and the walls of the gap **430** and intermediary housing **434** prevent rotation of the intermediary housing **434** relative to the lower housing **432**, about the first axis **388**. The upper pivot joint **424** may have a generally analogous configuration, in which the upper pivot joint **424** is locked when a tab portion **442** on an upper slider **438** projects through a gap **444** in the intermediary housing **434** and engages an upper housing **446**.

To unlock the lower pivot joint **422**, a user may push the button **390** which may be, e.g., on the hand grip **136**. Depressing the button **390** causes the linkage rod **392** to translate along the length of the elongate member **126**. A lower end **436** of the rod **392** pushes on the upper slider **438**, pushing it downwardly (as illustrated). An elongate portion **440** of the upper slider **438** bears against the tab **426**, and downward translation of the upper slider **438** thereby leads to a corresponding downward translation of the lower slider **428**. When the lower slider **428** has been moved sufficiently downwardly, the tab **426** is removed from the gap **430** and disengages the intermediary housing **434**, as shown in FIG. 74. In this configuration, the intermediary housing **434** (and everything mounted thereto) can pivot about the first axis **388**.

To unlock the upper pivot joint **424**, a user may push the button **390** so that the tab portion **442** is driven out of the gap **444** and disengages the upper housing **446**. In some embodiments, this may be sufficient to allow rotation about the second axis **398**. Alternatively, as illustrated a second release actuator **400** may need to be released to allow rotation about the axis **398**. In this embodiment, when the release actuator **400** remains engaged it is sufficient to inhibit rotation about the axis **398**, even when button **390** is pressed. This may help provide independent control over the unlocking of the upper and lower pivot joint **422** and **424**.

In the illustrated embodiment, the release actuator **400** includes a latch member **448** that is mounted to the upper



housing 446 and that extends into a corresponding slot 450 in the intermediary housing 424. When the latch 448 is engaged with the slot 450 (FIGS. 73 and 74) rotation about axis 398 is inhibited. When the latch 448 is withdrawn from the slot 450 (FIG. 75), the upper housing 446 can pivot about the axis 398 relative to the intermediary housing 434. This can allow the handle to be moved into the storage position (FIG. 76). A similar pivot joint configuration may be used in combination with any one or more of the other embodiments described herein.

It will be appreciated that other locking mechanisms known in the handle art may be used.

#### Adjustable Handle Length

The following is a description of adjustable handle that may be used by themselves in any surface cleaning apparatus or in any combination or sub-combination with any other feature or features described herein. For example, the adjustable handle described herein may be used with vacuums having any one or more of the surface cleaning head, moveable wheels, upright section, air treatment member assemblies, carry handles, cyclone configurations, dirt collection chambers, pre-motor filters, suction motors, post-motor filters, cleaning unit air flow ducts, above floor cleaning assemblies, low profile floor cleaning mode, bendable handles, hose wraps and other features described herein.

In accordance with this aspect, instead of using a push button, linkage rod and sliders to unlock the pivot joint 386, the pivot joint 386 may be unlocked by reconfiguring and/or adjusting portions of the handle 124, cleaning unit 130 or other portion of the apparatus 100. For example, reconfiguring the push handle 124 may be used to selectively lock one or both pivot joints 422, 424. For example, if the push handle 124 telescopes, e.g., it may comprise a stationary handle member and a moveable telescoping handle member, then the moveable telescoping handle member may be engageable with one or both of the pivot joints 422, 424 to lock the pivot joint in position when the handle is telescoped inwardly. For example, as discussed herein, the moveable telescoping handle member may be slidably receivable in one or both of the pivot joints 422, 424 thereby locking the pivot joints 422, 424 in position.

As exemplified in FIGS. 64-71, axially telescoping the elongate extension member 126 (the moveable telescoping handle member) along the handle axis 134 may unlock one or both of the pivot joints 422, 424 to allow rotation about at least one of the axes 388 and 398. Optionally, the handle 124 may be configured such that telescoping the extension member 126 to a first position enables rotation about the first axis 388, and further telescoping the extension member 126 to a second position then enables rotation about the second axis 398.

Referring to FIG. 64, in one embodiment the extension member 126 of the handle 124 may be an inner telescoping member that is slidably received in an outer telescoping member in the form of an outer sleeve portion 452 of the upper portion 424 of the pivot joint 386. Movement between the extension member 126 and the sleeve 452 may be inhibited using any suitable securing apparatus, including, for example, moveable detents 454 provided on the sleeve 452 that engage corresponding holes 456 on the extension member 126 (FIG. 65).

In this embodiment, when the extension member 126 is fully inserted within the sleeve 452 (FIG. 64-65) in a retracted position, an outer surface toward the lower end of the extension member 126 provides an abutment member 458 that extends through corresponding channels 460 within

the pivot joint 386, such that interference between the abutment member 458 and a corresponding abutment member 459 (in the form of notches) on the lower housing 432 of the pivot joint 386 inhibits rotation about the first axis 388. In this position, the outer surface of the extension member 126 also functions as a second abutment member 458 that contacts a corresponding abutment member 462 in the intermediary housing 434 (FIGS. 69 and 71), thereby inhibiting rotation about the upper axis 398. In this configuration the pivot joint 386 is locked.

Referring also to FIGS. 66-69, telescoping the extension member 126 away from the lower housing 432 (upwardly as illustrated) to a first extended position may move the lower end of the extension member 126 so that the abutment member 458 does not contact/engage with the abutment member 459 in the lower housing 432. Disengaging the abutment members 458 and 459 may enable the handle 124 to pivot forwardly about the first axis 388, and for the handle to be reconfigured into a low profile cleaning position (FIG. 68). In this position, the lower pivot joint 422 is unlocked. When in this position, the abutment member 458 on the extension member 126 remains in contact with the complementary abutment member 462 on the intermediary housing 434, thereby continuing to inhibit rotation about the upper axis 398.

In some embodiments, the pivot joint 386 may only include a single pivot joint 386 as exemplified in FIG. 66. Alternatively, as illustrated, the pivot joint 386 may include lower and upper pivot joints 422, 424 and the handle 124 can be further pivoted into a storage position (for example as shown in FIG. 14). Optionally, the rotation about the second pivot axis 398 may be controlled via a separate secondary actuator, or alternatively may also be controlled by the positioning of the extension member 126.

Referring to FIGS. 70 and 71, in the illustrated embodiment the extension member 126 may be further translated relative to the sleeve 452, to a second extended position. In this embodiment, when the extension member 126 is in the second extended position, the lower end is moved such that the abutment member 458 is removed from the channels 460 and is disengaged from the abutment members 462 in the intermediary housing 434 (FIG. 71). In this configuration, the upper housing 446, including the sleeve 452 and handle 124 mounted thereto, is free to pivot about the second axis 398.

Alternatively, referring to FIGS. 53-57, the pivot joint 386 may include only a single pivot axis, while still permitting the handle to be moved into a low profile cleaning position and a storage position. For example, the pivot joint 386 may be configured as an offset pivot joint, in which the extension member 126 and handle axis 134 are offset rearwardly from the pivot axis 388 by a pivot offset distance 402 (FIG. 53). In this arrangement, the handle 124 may pivot about the pivot axis 388 to operate the apparatus 100 in the low profile floor cleaning mode, and may rotate further about the same pivot axis 388 to move the handle into its storage position (FIG. 55). This embodiment includes an unlocking actuator having, e.g., a button 390 and axially translating linkage rod 392 (FIGS. 54, 56 and 57) that is configured to release a latch member 394 that engages the upper end of the support structure 212 of the cleaning unit 130. In this embodiment, the handle 124 may be moved to the low profile cleaning position and a storage position by only rotating about one pivot axis 388. It will be appreciated that alternate actuation means may be used as is known in the art.

Optionally, the pivot joint 386 may form part of the air flow path, much like the joint between the cleaning unit 130

and the surface cleaning head **104** can include an internal air flow conduit. For example, in embodiment of FIGS. **49-52**, the pivot joint **386** includes an upper yolk **404** member that is pivotally connected to a lower yolk member **406**, such that the upper yolk **404** member may pivot about pivot axis **388**. The yolk members **404** and **406** provide a structural, mechanical connection between the handle **124** and the cleaning unit **130**.

To provide air flow communication between the wand **222** and the cleaning unit **130**, the pivot joint **386** may include an internal fluid passage. Referring to FIG. **49**, in the illustrated example the pivot joint **386** includes an internal fluid passage in the form of a flexible hose **408** that is positioned within the yolk members **404**, **406** and connects the cleaning unit **130** to the inlet end **226** of the wand **222**. Optionally, the hose **113** may be extensible and/or elastic. Preferably, the hose **408** may be formed from the same material, and have generally the same properties as hose **113**. Optionally, instead of being positioned within the yolk members **404**, **406**, the fluid passage member may be positioned outside the yolk members **404**, **406**. Alternately, as is known in the art, the pivot joint may be constructed to have an air flow passage therethrough and use rigid members that rotate relative to each other and uses rotating seals or the like such that a flexible hose is not required.

The pivot joint **386** may be unlocked using an unlocking actuator, which may use a button **390** connected to a linkage rod **392**.

Optionally, in addition to moving relative to the cleaning unit **130**, the handle may also be configured so that the extension member **126** and/or hand grip **136** can rotate about the handle axis **134**. Referring to FIGS. **14-17**, rotating the extension member **126** and/or hand grip **136** about the handle axis **134** may alter a storage depth **410** of the apparatus, from a relatively large storage depth **410** (FIG. **15**), in which the hand grip **136** protrudes beyond the front end **140** of the surface cleaning head **104**, to a smaller storage depth **410** (FIG. **17**), in which no portion of the apparatus **100** may protrude forwardly beyond the front end **140** of the surface cleaning head **104**.

Instead of rotating in this manner, the handle **124** may be moved into the storage position in any suitable way, including collapsing or otherwise modifying the shape of the hand grip portion **136**, rotating the hand grip **136** relative the extension member **126**, detaching the extension member **126** from the pivot joint **386** and stowing it in a suitable location, and the like.

#### Hose Wrap

The following is a description of hose wraps that may be used by themselves in any surface cleaning apparatus or in any combination or sub-combination with any other feature or features described herein. For example, the hose wraps described herein may be used with vacuums having any one or more of the surface cleaning head, moveable wheels, upright section, air treatment member assemblies, carry handles, cyclone configurations, dirt collection chambers, pre-motor filters, suction motors, post-motor filters, cleaning unit air flow ducts, above floor cleaning assemblies, low profile floor cleaning mode, bendable handles, adjustable handles and other features described herein.

In accordance with this aspect, hose is secured in position on the upright section, preferably surrounding the lateral sides of the cleaning unit **130**, such that the hose does not increase the maximum depth of the portion of the upright section that supports the cleaning unit **130**.

For example, if the air flow conduits on the upper section **102** include a flexible hose, the cleaning unit **130** may

include a hose wrap portion to help support and store the flexible hose when the apparatus is being used in a floor cleaning mode. Optionally, the hose wrap may be provided toward the rear side of the cleaning unit **130**, which may help align the hose **113** with the other air flow conduits in the cleaning unit **130** (such as ducts **224** and wand **222**).

As exemplified in FIG. **2**, the hose support **396**, also referred to as a hose wrap, may be a curved support with a channel **412** that can receive a portion of the hose **113**. The hose **113** is preferably resiliently extendable, and when seated in the channel **412**, the hose's resiliency may help retain it in place. When a user detaches the wand **222**, for above floor cleaning, the hose **113** may be lifted generally upwardly out of the channel.

Optionally, the hose support **396** may surround an open region, and may also function as a carry handle **416** for lifting the cleaning unit. As exemplified in FIGS. **26-29**, the curved support channel **412** may form part of the perimeter of a finger gap **414** region that may receive the hand/fingers of a user (FIG. **28**). In this embodiment, the support channel **412** bounds part of the finger gap **414**, and other portions of the cleaning unit support structure **212** (such as cross-member **216**) bound the bottom portion of the finger gap **414**. Providing a carry handle **416** of this nature may help a user grasp and carry the cleaning unit **130** while the apparatus **100** is in use, and may be helpful if the drive handle **124** has been moved into an optional storage position (as shown in FIGS. **28** and **29** and described herein). It will be appreciated that hose support **396** may be positioned a sufficient distance above support structure **212** and the pivot joint such that a user may easily grasp the hose support (e.g., channel **412**) without contacting another part of the apparatus **100**.

The support channel **412** may be configured so that it provides a sufficient grip area such that a user can pick-up the cleaning unit **130** without contacting the underside of the hose **113**. This may help improve the stability of the carry handle **416**, and may help reduce the chances that the hose **113** may be squeezed or crushed during the lifting process. To that end, the support channel **412** may be sized to receive at least 40% of the hose **113**, and optionally may be sized to receive at least 50% or at least 60% of the hose **113**, and preferably the hose **113** can be nested at least up to its midpoint within the support channel **412**.

Optionally, the cleaning unit **130** may be configured so that the hose support **396**, whether configured as a carry handle or not, is the upper most portion of the cleaning unit **130** or the support structure except for the handle **124**. This may help position the hose support **396** at a convenient height for users to interact with the hose wrap **369**, and the hose **113** thereon. This may also help increase the path length of the hose **113**, from the upper end of the wand **222** to the air inlet of the air treatment member assembly **110**. Increasing the path length in this manner may allow a longer hose **113** to be provided and stored on the cleaning unit **130**, which may help improve the above floor cleaning range.

In embodiments having a hose support **396** (see for example FIGS. **8** and **27**), when the apparatus **100** is used in the floor cleaning mode, a first vertical portion **416** of the hose **113** may convey air upwardly on one side of the cleaning unit **130** and a second vertical portion **418** of the hose **113** may convey air downwardly on the opposing side of the cleaning unit **130**. In such embodiments, a transverse portion **420** of the hose **113** may extend between the first and second vertical portions **416**, **418** (and may be generally curved) over the upper end of the cleaning unit **130**. In this configuration, the transverse portion **420** of the hose **113** is

71

positioned vertically above, and may be rearward or forward of the pivot axes **388** and **398**. Also, in this embodiment the first vertical portion **416** of the hose, along with a portion of the wand **222**, may be positioned behind the first dirt collection chamber **190** and the second vertical portion **418** of the hose **113** may be positioned behind the second dirt collection chamber **190** (see for example FIGS. **7** and **18**). This can help reduce the overall depth **201** of the cleaning unit **130**.

In this embodiment, the first and second vertical portions **416**, **418** and the transverse portion **420** of the hose and the rigid extension wand **222** (i.e. the above floor cleaning assembly) may all lie in a common, central transverse plane **232**, which in this embodiment may extend through one or both of the suction motor **112** and cyclone chamber **188** (see for example FIGS. **18** and **20**) and may be disposed toward the rear side of the cleaning unit **130**.

Similarly, in this embodiment, the transverse plane **234** that contains the forward most portions of the rigid wand **222** and hose **113** may be positioned forward of the rearmost portion of the air treatment member assembly **110**, and a rearmost portion of the above floor clean assembly may lie in, or forward of, the rear plane **200** (bounding the rear side of the cleaning unit).

What has been described above has been intended to be illustrative of the invention and non-limiting and it will be understood by persons skilled in the art that other variants and modifications may be made without departing from the scope of the invention as defined in the claims appended hereto. The scope of the claims should not be limited by the preferred embodiments and examples, but should be given the broadest interpretation consistent with the description as a whole.

The invention claimed is:

1. An upright surface cleaning apparatus comprising:

(a) a surface cleaning head having a front end, a rear end, a central longitudinal axis extending between the front and rear ends, a lateral plane that is transverse to the central longitudinal axis, first and second laterally opposed sides, a dirty aft inlet and a surface cleaning head air outlet;

(b) a cleaning unit moveably mounted to the surface cleaning head between a generally upright position and a rearwardly inclined in use position, the cleaning unit comprising a support structure and an air treatment member assembly comprising an air treatment member having a volume in which entrained material is separated from air entering the air treatment member, wherein all of the support structure is positioned rearward of a front face of the volume of the air treatment member assembly when the cleaning unit is in the generally upright position; and,

(c) a push handle comprising a longitudinally extending member having a longitudinally extending drive axis and a hand grip portion provided at an upper end of the longitudinally extending member wherein a lower end of the longitudinally extending member is mounted to the support structure; the hand grip portion is located generally centrally relative to first and second lateral sides of the cleaning unit; and a portion of the volume of the air treatment member assembly extends rearward of the longitudinally extending member when the cleaning unit is in the generally upright position wherein the support structure comprises first and second laterally spaced struts positioned at an elevation of and

72

rearward of the volume of the air treatment member and a cross member provided on an upper end of the struts, and

wherein the support structure comprises an up flow duct and the longitudinally extending member is mounted to an upper end of the up flow duct.

2. The upright surface cleaning apparatus of claim 1 wherein a portion of the air treatment member extends rearward of the longitudinally extending member when the cleaning unit is in the generally upright position.

3. The upright surface cleaning apparatus of claim 1 wherein the longitudinally extending member extends generally vertically when the cleaning unit is in the generally upright position.

4. The upright surface cleaning apparatus of claim 1 wherein the air treatment member assembly further comprises a dirt collection region and the up flow duct is positioned behind the dirt collection region.

5. The upright surface cleaning apparatus of claim 4 wherein the air treatment member has a depth in a direction of the central longitudinal axis that is greater than a depth of at least a portion of the dirt collection region in the direction of the central longitudinal axis.

6. The upright surface cleaning apparatus of claim 5 wherein the up flow duct is positioned behind the portion of the at least one dirt collection region.

7. The upright surface cleaning apparatus of claim 1 wherein the air treatment member assembly comprises first and second lateral sides, a first dirt collection region external to the air treatment member is provided on the first lateral side of the air treatment member assembly and a second dirt collection region external to the air treatment member is provided on the second lateral side of the air treatment member assembly, wherein a strut is positioned behind each of the dirt collection regions.

8. The upright surface cleaning apparatus of claim 7 wherein the first and second dirt collection regions are contiguous.

9. The upright surface cleaning apparatus of claim 7 wherein the first and second dirt collection regions are provided on either side of an air treatment member and are isolated from each other.

10. The upright surface cleaning apparatus of claim 7 wherein the air treatment member has a depth in a direction of the central longitudinal axis that is greater than a depth of at least a portion of the first and second dirt collection regions in the direction of the central longitudinal axis.

11. The upright surface cleaning apparatus of claim 10 wherein the first strut is positioned behind the portion of the first dirt collection region and the second strut is positioned behind the portion of the second dirt collection region.

12. The upright surface cleaning apparatus of claim 11 wherein the drive axis extends through the air treatment member assembly.

13. The upright surface cleaning apparatus of claim 11 wherein the air treatment member assembly comprises a cyclone bin assembly and the air treatment member comprises a cyclone.

14. The upright surface cleaning apparatus of claim 11 wherein the volume has a first dirt outlet and a second dirt outlet, a first dirt collection region external to the volume and in communication with the volume via the first dirt outlet is provided on the first lateral side of the volume, a second dirt collection region external to the volume and in communication with the volume via the second dirt outlet is provided on the second lateral side of the volume, and the

lateral plane extends through the first dirt collection region, the volume and the second dirt collection region.

15. An upright surface cleaning apparatus comprising:

(a) a surface cleaning head having a front end, a rear end, a central longitudinal axis extending between the front and rear ends in a forward rearward direction, first and second laterally opposed sides, a dirty air inlet and a surface cleaning head air outlet;

(b) a cleaning unit moveably mounted to the surface cleaning head between a generally upright position and a rearwardly inclined in use position, the cleaning unit comprising a support structure and an air treatment member assembly, the support structure comprising first and second laterally spaced struts and a cross member provided on an upper end of the struts, the air treatment member assembly comprising an air treatment member, first and second lateral sides, a first dirt collection region external to the air treatment member provided on the first lateral side of the air treatment member assembly and a second dirt collection region external to the air treatment member provided on the second lateral side of the air treatment member assembly, the air treatment member having a volume in which entrained material is separated from air entering the air treatment member, the volume having a first dirt outlet and a second dirt outlet, the first dirt collection region in communication with the volume via the first dirt outlet and the second dirt collection region in communication with the volume via the second dirt outlet, wherein a plane transverse to the central longitudinal axis extends through the first dirt collection region, the volume and the second dirt collection region wherein the first strut is positioned at an elevation of and rearward of the first dirt collection region in the forward rearward direction and laterally from the volume, and the second strut is positioned at an elevation of and rearward of the second dirt collection region in the forward rearward direction and laterally from the volume; and,

(c) a push handle comprising a longitudinally extending member having a longitudinally extending drive axis and a hand grip portion provided at an upper end of the longitudinally extending member wherein a lower end of the longitudinally extending member is mounted to the support structure.

16. An upright surface cleaning apparatus comprising:

(a) a surface cleaning head having a front end, a rear end, a central longitudinal axis extending between the front and rear ends in a forward rearward direction, first and second laterally opposed sides, a dirty air inlet and a surface cleaning head air outlet;

(b) a cleaning unit moveably mounted to the surface cleaning head between a generally upright position and a rearwardly inclined in use position, the cleaning unit comprising an up flow duct and an air treatment member assembly comprising an air treatment member, first and second lateral sides, a first dirt collection region external to the air treatment member provided on the first lateral side of the air treatment member assembly and a second dirt collection region external to the air treatment member provided on the second lateral side of the air treatment member assembly, the air treatment member having a volume in which entrained material is separated from air entering the air treatment member, the volume having a first dirt outlet and a second dirt outlet, the first dirt collection region in communication with the volume via the first dirt outlet and the second dirt collection region in communication with the volume via the second dirt outlet, wherein a plane transverse to the central longitudinal axis extends through the first dirt collection region, the volume and the second dirt collection region wherein the up flow duct is positioned laterally from the central longitudinal axis and rearward of a front face of the air treatment member assembly in the forward rearward direction when the cleaning unit is in the generally upright position; and,

(c) a push handle comprising a longitudinally extending member having a longitudinally extending drive axis and a hand grip portion provided at an upper end of the longitudinally extending member wherein a lower end of the longitudinally extending member is mounted to the up flow duct, and the hand grip portion is located generally centrally relative to the first and second laterally opposed sides of the surface cleaning head.

17. The upright surface cleaning apparatus of claim 16 wherein the first and second dirt collection regions are contiguous.

18. The upright surface cleaning apparatus of claim 16 wherein the first and second dirt collection regions are provided on either side of an air treatment member and are isolated from each other.

\* \* \* \* \*