



US011108254B2

(12) **United States Patent**
Conrad

(10) **Patent No.:** **US 11,108,254 B2**

(45) **Date of Patent:** **Aug. 31, 2021**

(54) **CORDLESS APPLIANCE, SUCH AS A SURFACE CLEANING APPARATUS AND A CHARGING UNIT THEREFOR**

(71) Applicant: **Omachron Intellectual Property Inc., Hampton (CA)**

(72) Inventor: **Wayne Ernest Conrad, Hampton (CA)**

(73) Assignee: **Omachron Intellectual Property Inc., Hampton (CA)**

(*) Notice: Subject to any disclaimer, the term of this patent is extended or adjusted under 35 U.S.C. 154(b) by 232 days.

(21) Appl. No.: **16/281,694**

(22) Filed: **Feb. 21, 2019**

(65) **Prior Publication Data**

US 2020/0274376 A1 Aug. 27, 2020

(51) **Int. Cl.**

- H02J 7/00** (2006.01)
- A47L 9/28** (2006.01)
- H02J 7/02** (2016.01)
- H01M 10/613** (2014.01)
- H01M 10/44** (2006.01)
- H01G 11/18** (2013.01)
- H02J 7/34** (2006.01)

(52) **U.S. Cl.**

CPC **H02J 7/0042** (2013.01); **A47L 9/2873** (2013.01); **H01G 11/18** (2013.01); **H01M 10/44** (2013.01); **H01M 10/613** (2015.04); **H02J 7/027** (2013.01); **H01M 2220/30** (2013.01); **H02J 7/345** (2013.01)

(58) **Field of Classification Search**

CPC H02J 7/0042; H01M 10/613
USPC 320/107
See application file for complete search history.

(56) **References Cited**

U.S. PATENT DOCUMENTS

6,229,280 B1	5/2001	Sakoh et al.	
7,377,007 B2	5/2008	Best	
7,863,857 B2	1/2011	Becker et al.	
8,138,819 B2	3/2012	Kuroda	
8,183,819 B2	5/2012	Sugano	
8,482,263 B2	7/2013	Barrade et al.	
8,834,209 B2	9/2014	Conrad	
9,775,484 B2	10/2017	Conrad	
10,165,912 B2	1/2019	Conrad	
2001/0017531 A1	8/2001	Sakakibara et al.	
2006/0091858 A1*	5/2006	Johnson	H01M 50/213
			320/128
2011/0057602 A1*	3/2011	Miller	H01M 10/46
			320/101
2013/0269147 A1	10/2013	Conrad	
2014/0237755 A1	8/2014	Conrad	
2016/0056664 A1	2/2016	Partovi	

(Continued)

FOREIGN PATENT DOCUMENTS

JP	2017192237 A	10/2017
WO	2007121533 A1	11/2007

OTHER PUBLICATIONS

International Search Report and Written Opinion, received in connection to international patent application No. PCT/CA2020/050161, dated May 7, 2020.

(Continued)

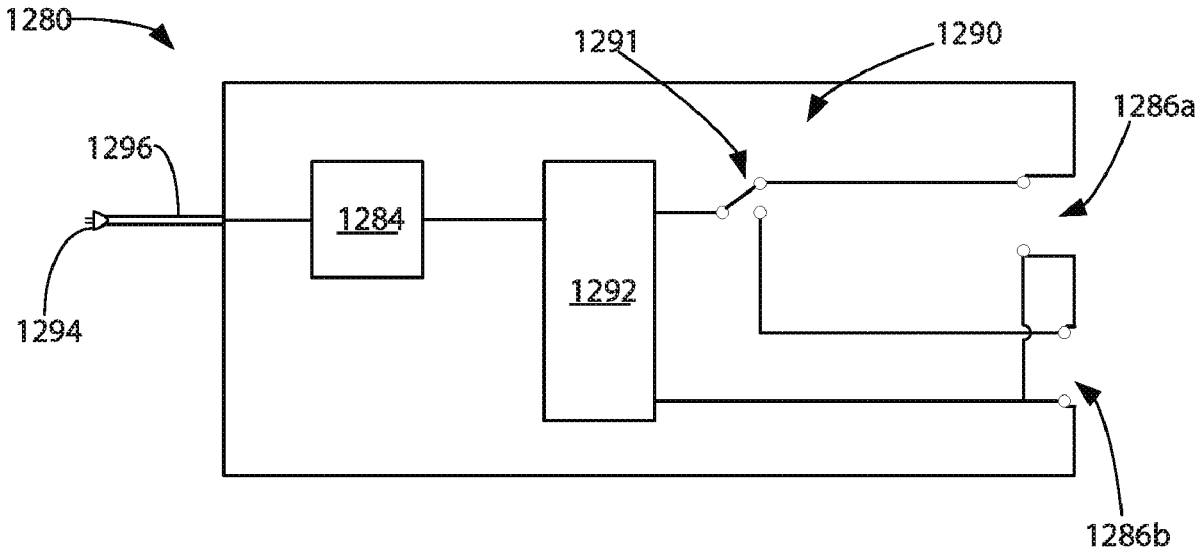
Primary Examiner — Suchin Parihar

(74) *Attorney, Agent, or Firm* — Philip C. Mendes da Costa; Bereskin & Parr LLP/ S.E.N.C.R.L., s.r.l.

(57) **ABSTRACT**

An appliance, such as a portable surface cleaning apparatus is powered by one or more ultracapacitors and a charging unit for same is provided.

27 Claims, 14 Drawing Sheets



(56)

References Cited

U.S. PATENT DOCUMENTS

2016/0115933 A1* 4/2016 Koenen B60T 7/042
290/38 R
2016/0285289 A1 9/2016 Arends
2016/0380441 A1* 12/2016 Groat H02J 7/0071
320/107
2020/0274376 A1* 8/2020 Conrad A47L 5/28
2020/0274381 A1* 8/2020 Conrad A47L 9/2884
2020/0274382 A1* 8/2020 Conrad A47L 9/322

OTHER PUBLICATIONS

English machine translation of JP2017192237, published on Oct.
19, 2017.

* cited by examiner

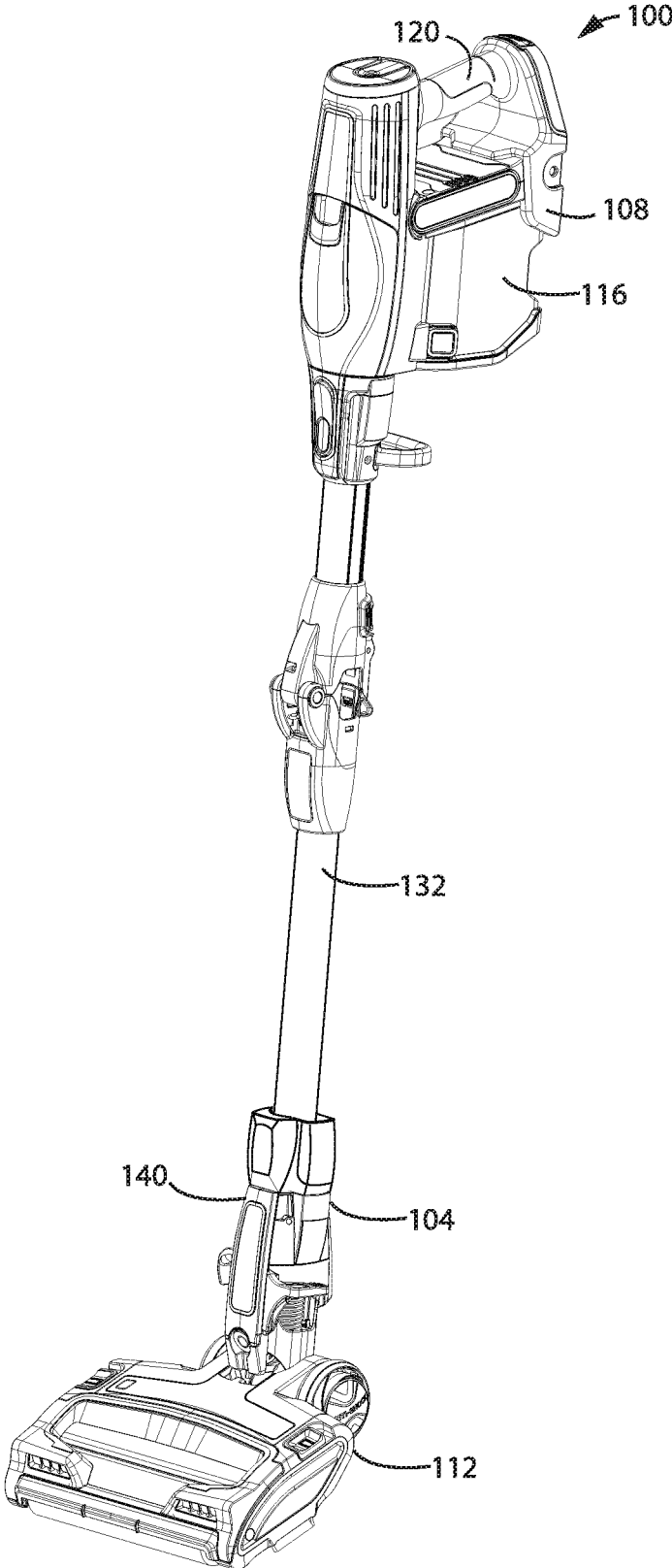


FIG. 1

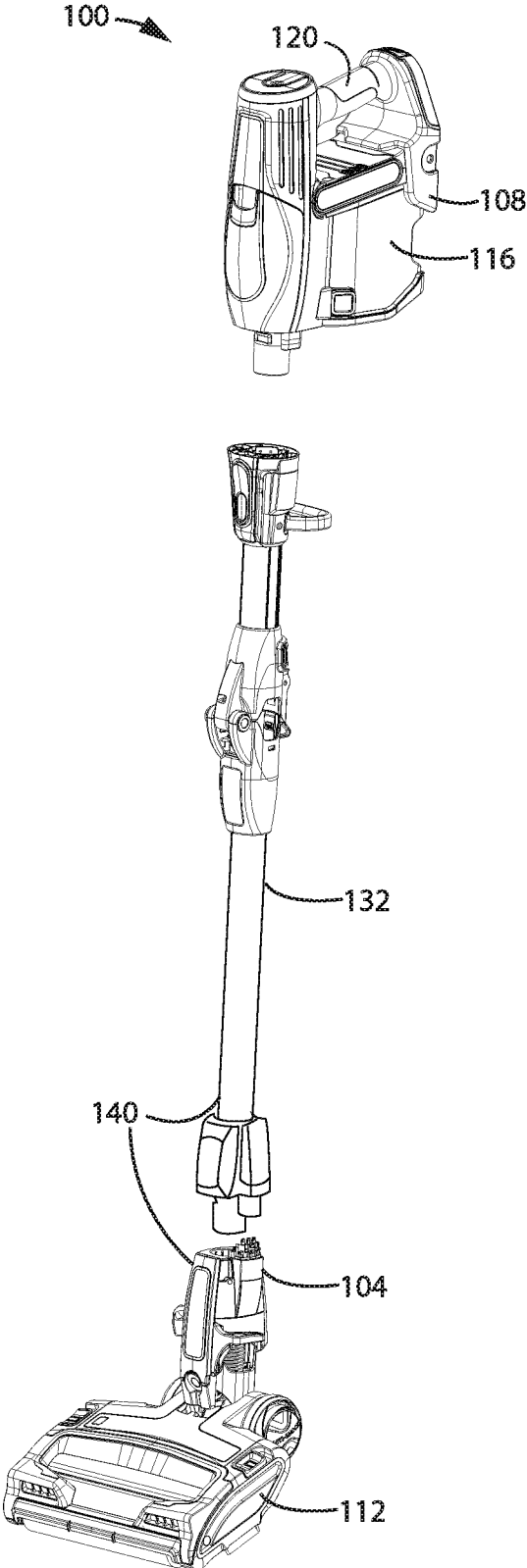


FIG. 2

108

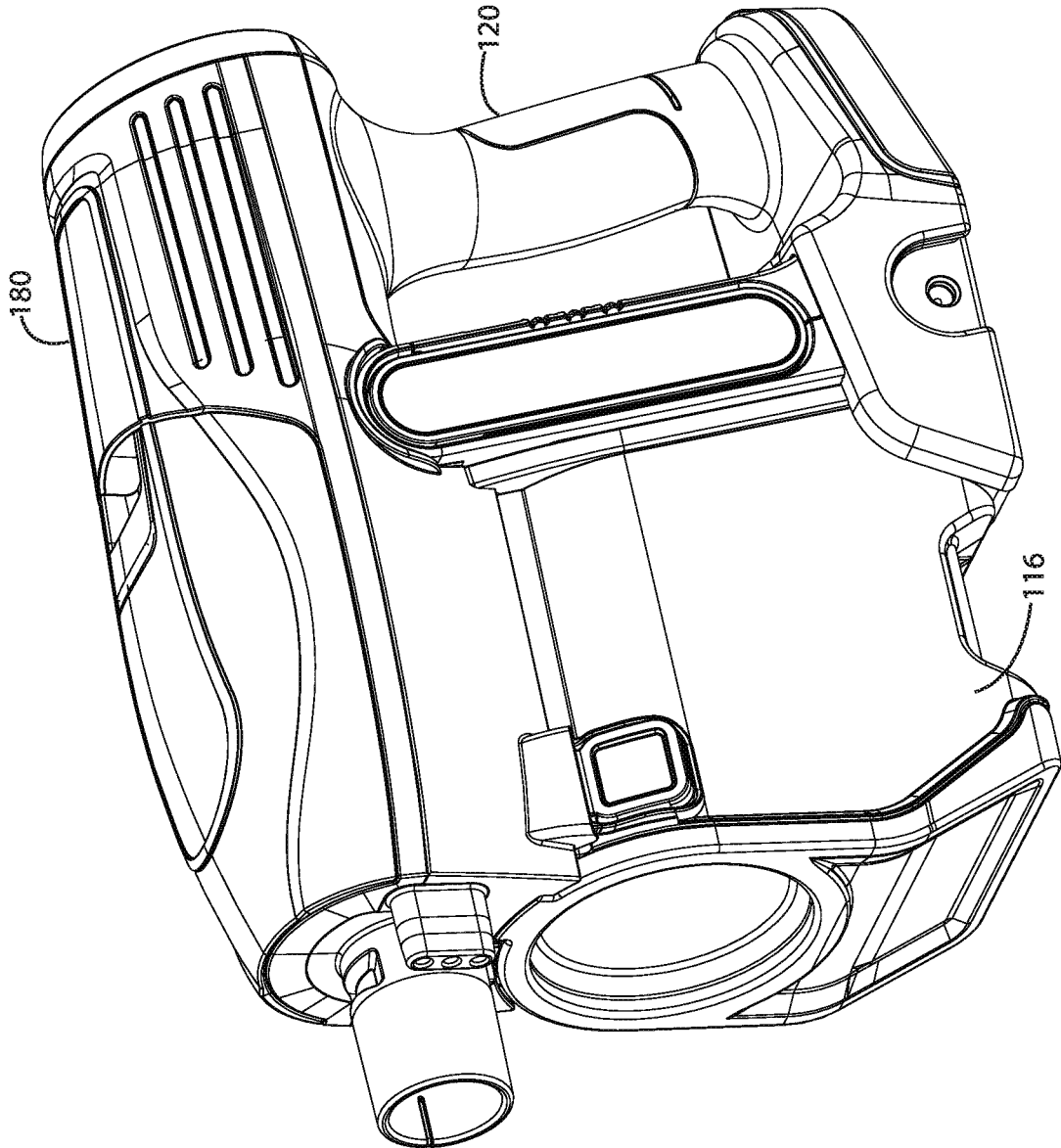


FIG. 3

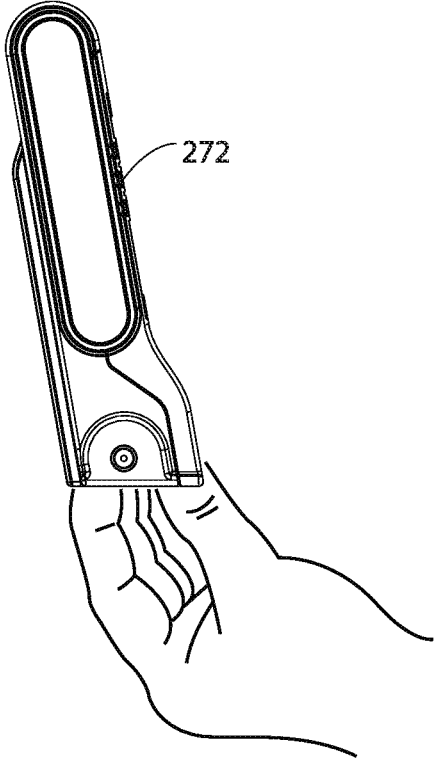
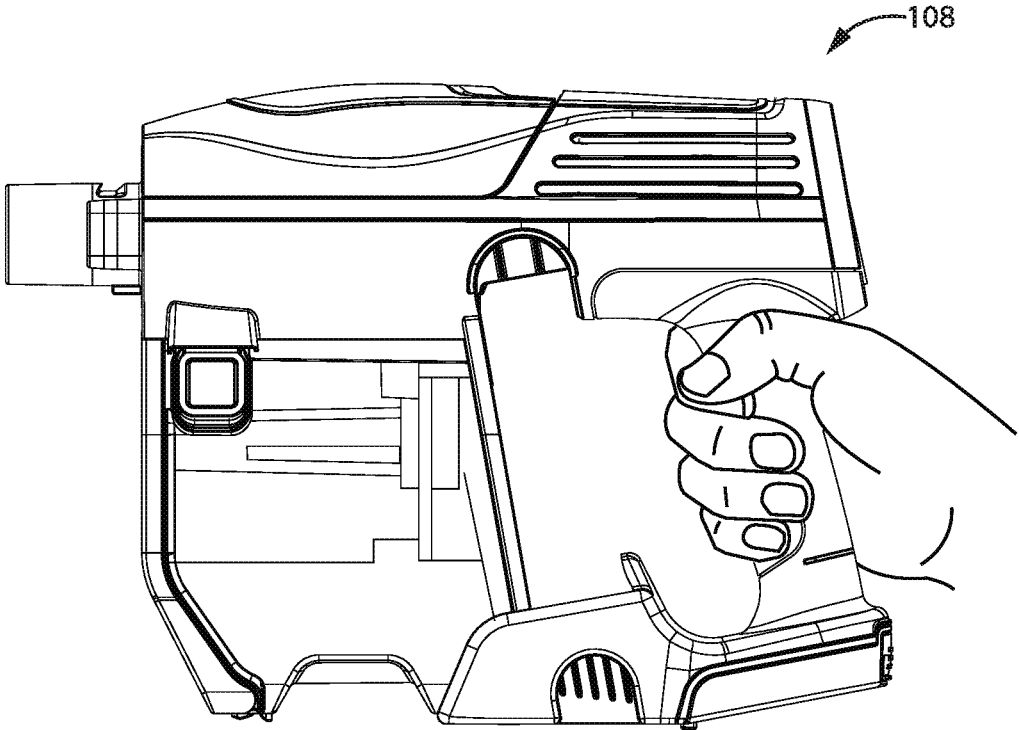


FIG. 4

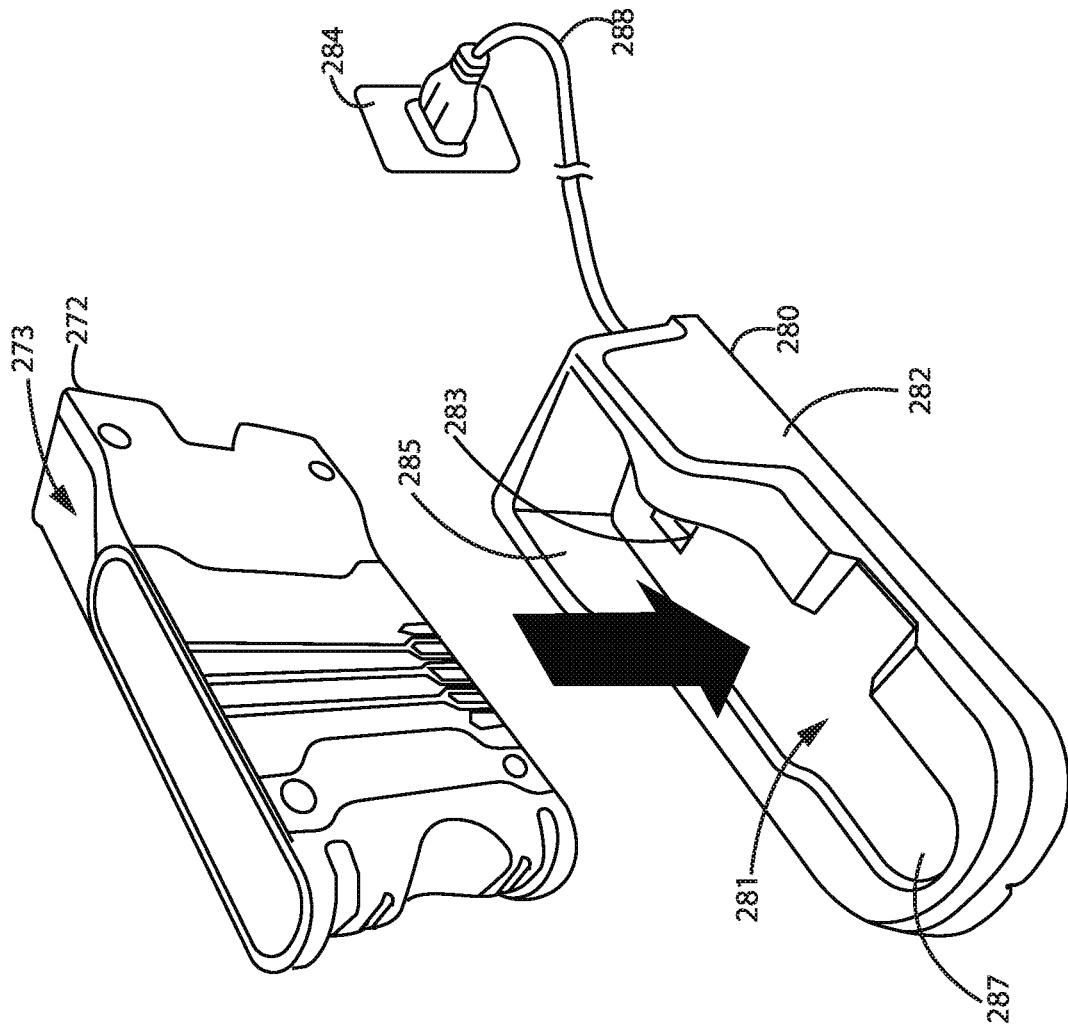


FIG. 5

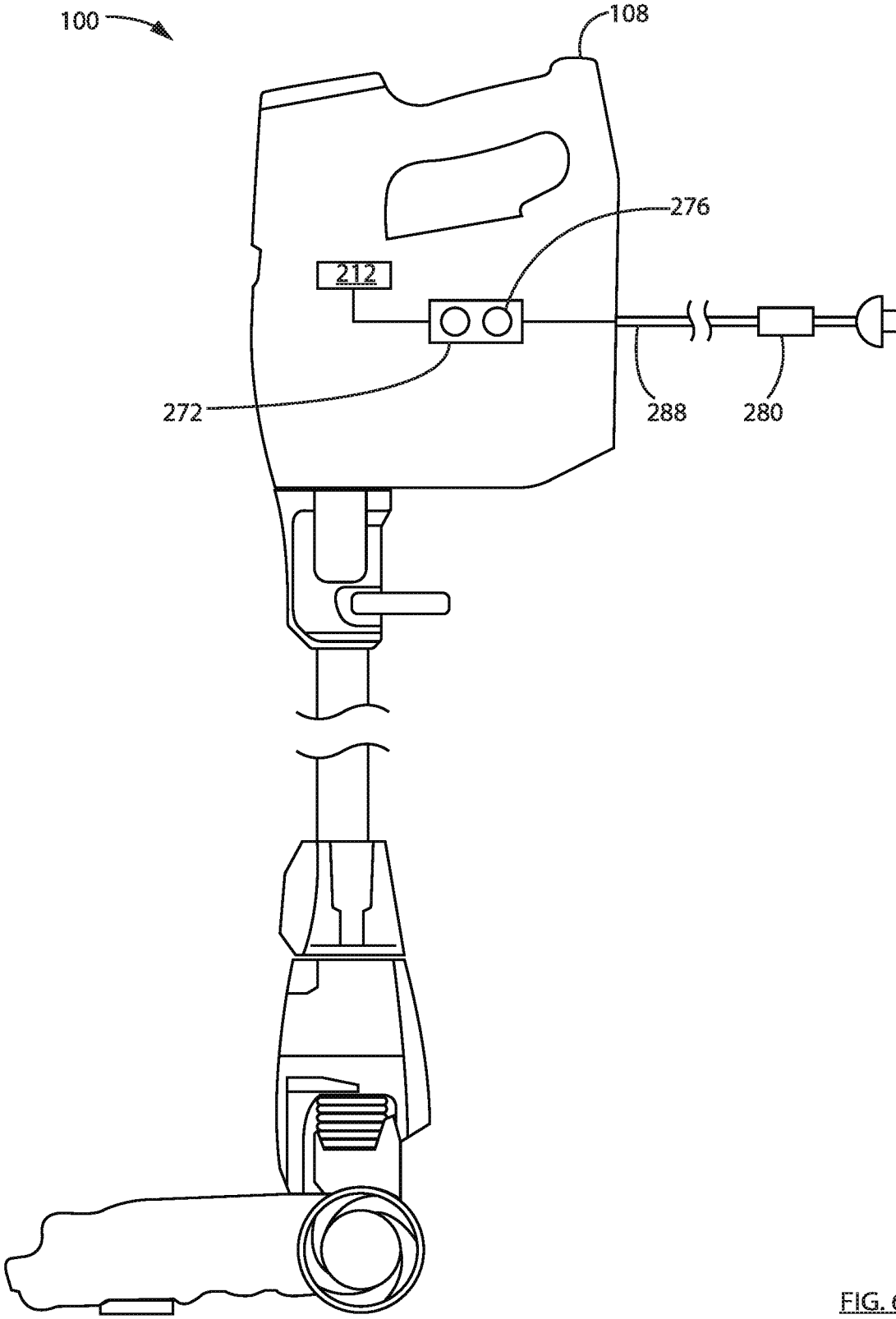


FIG. 6

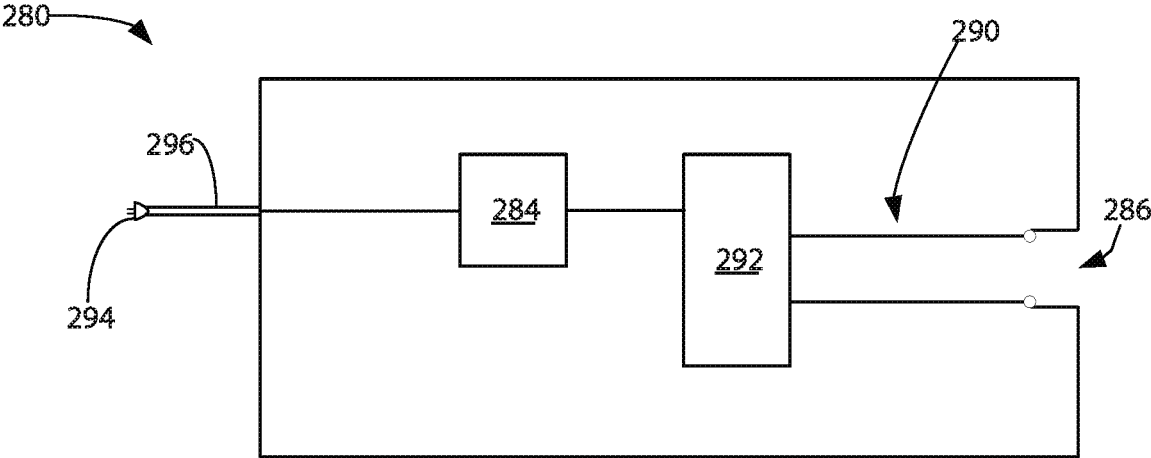


FIG. 7

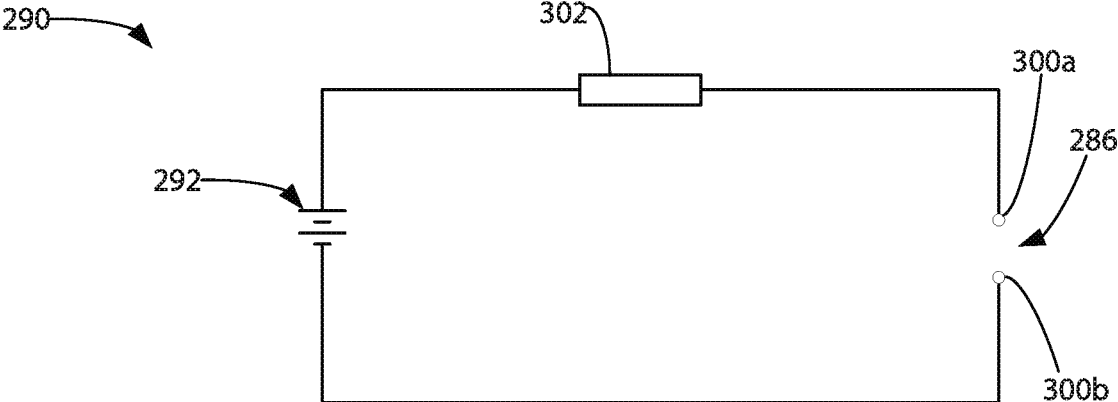


FIG. 8A

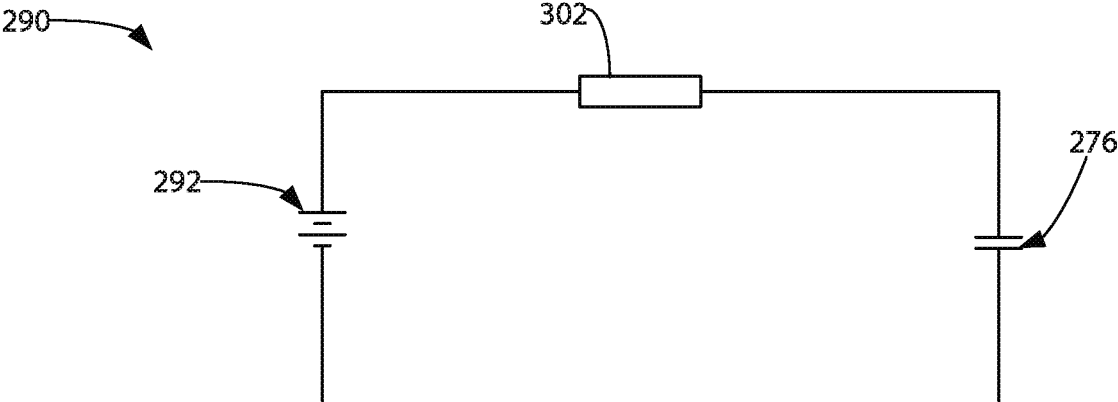


FIG. 8B

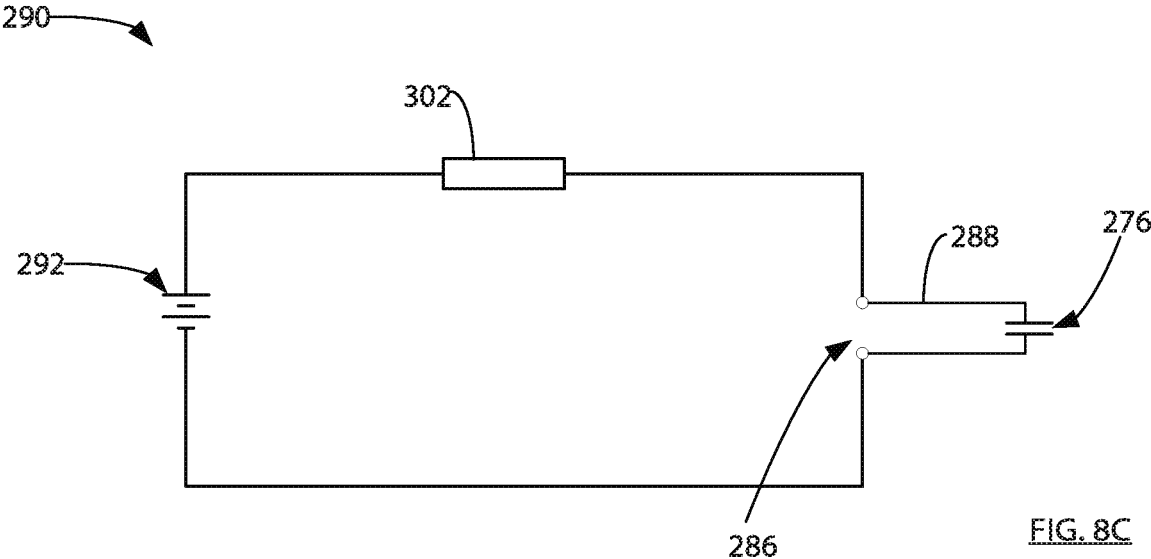


FIG. 8C

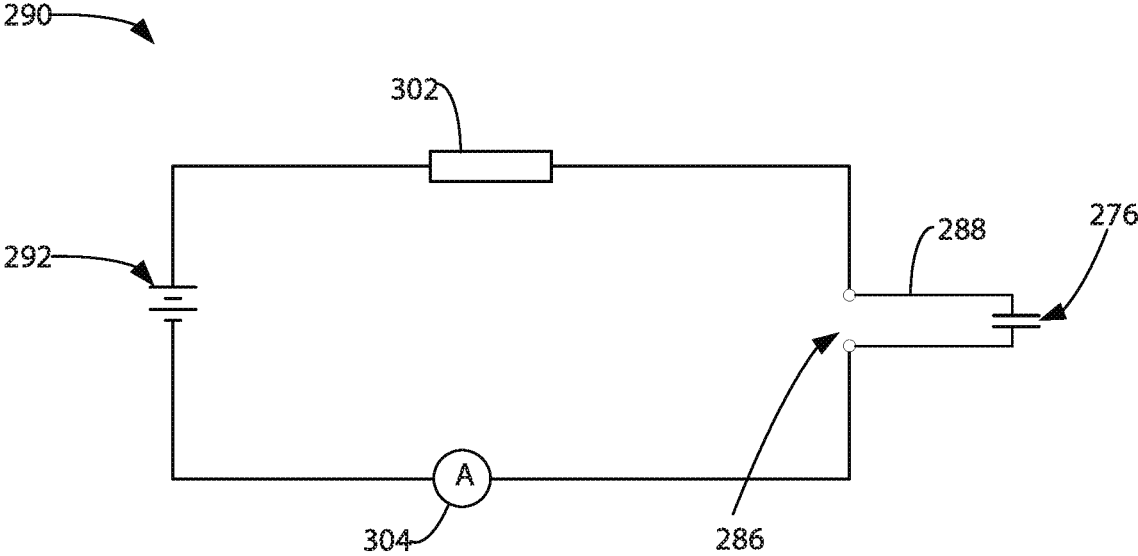
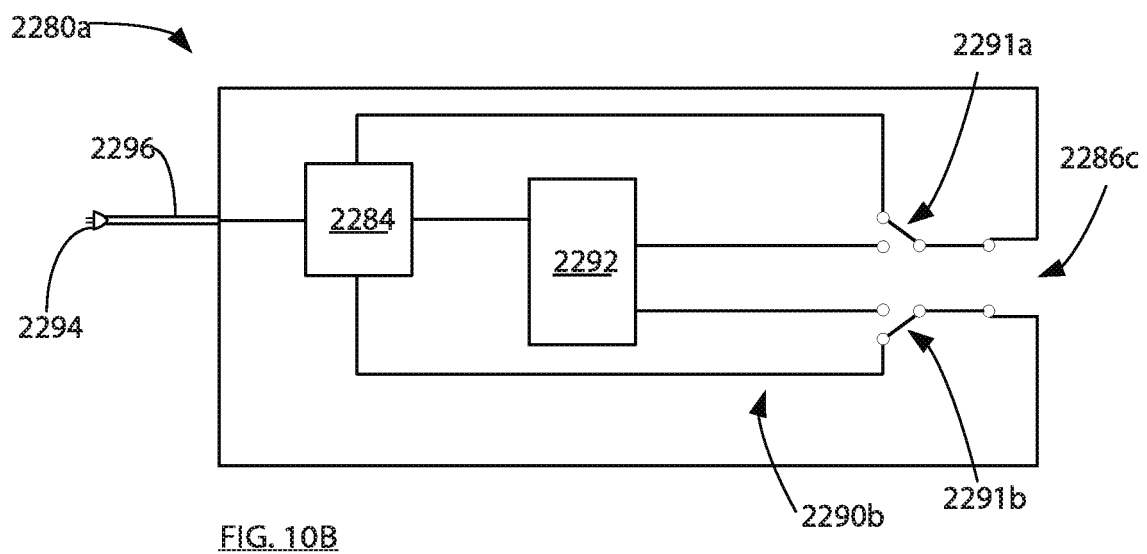
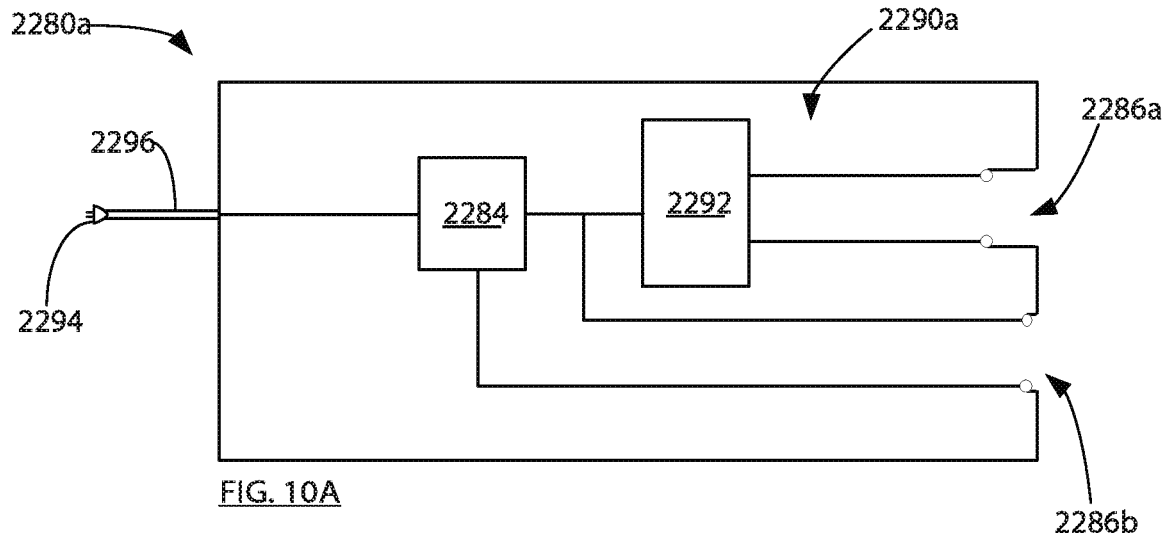
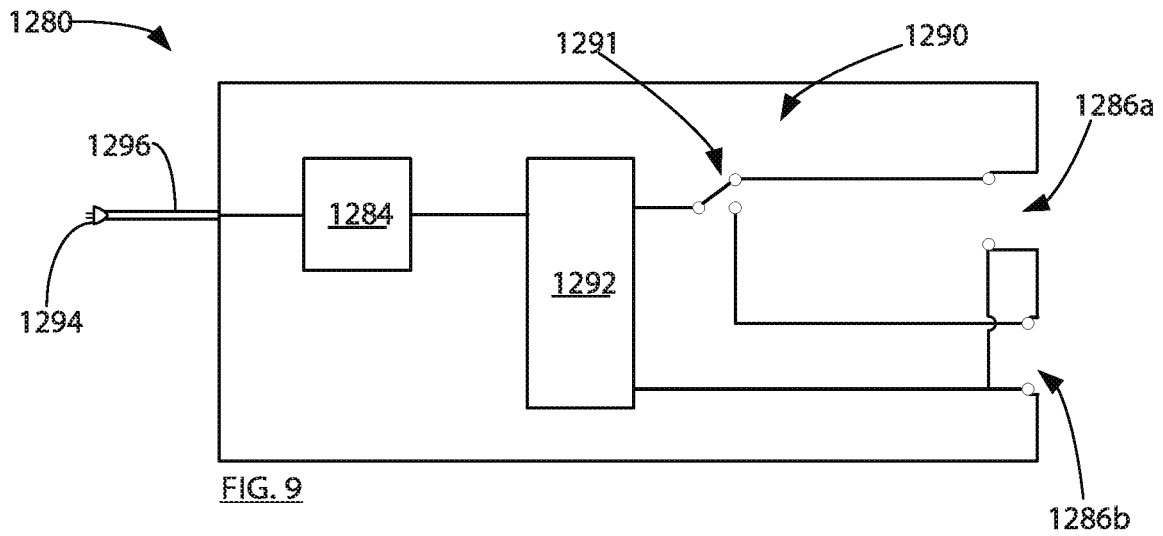


FIG. 8D



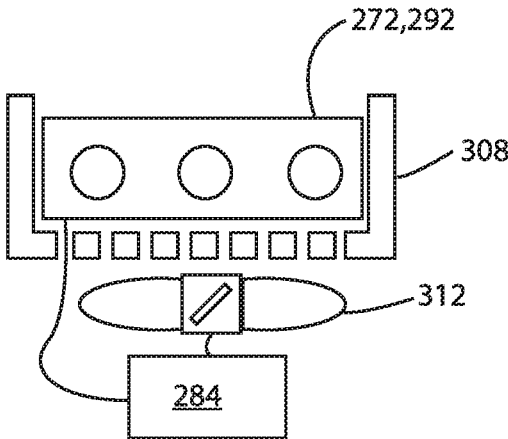


FIG. 11

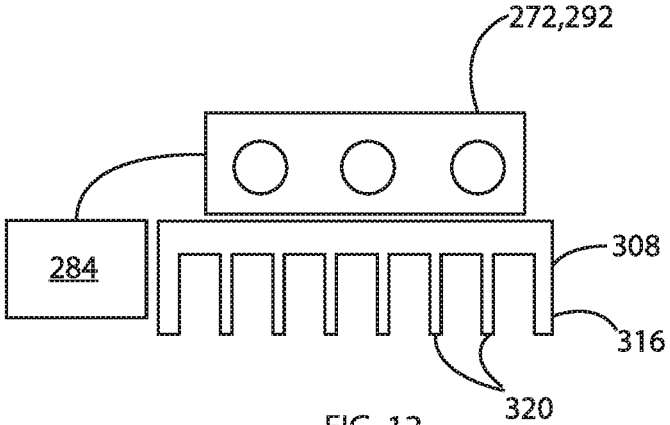


FIG. 12

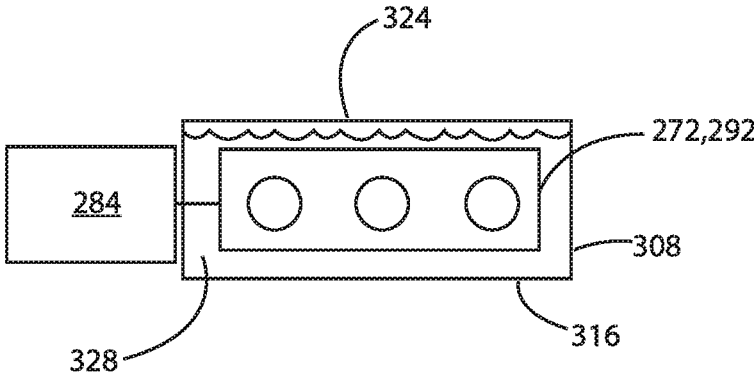


FIG. 13

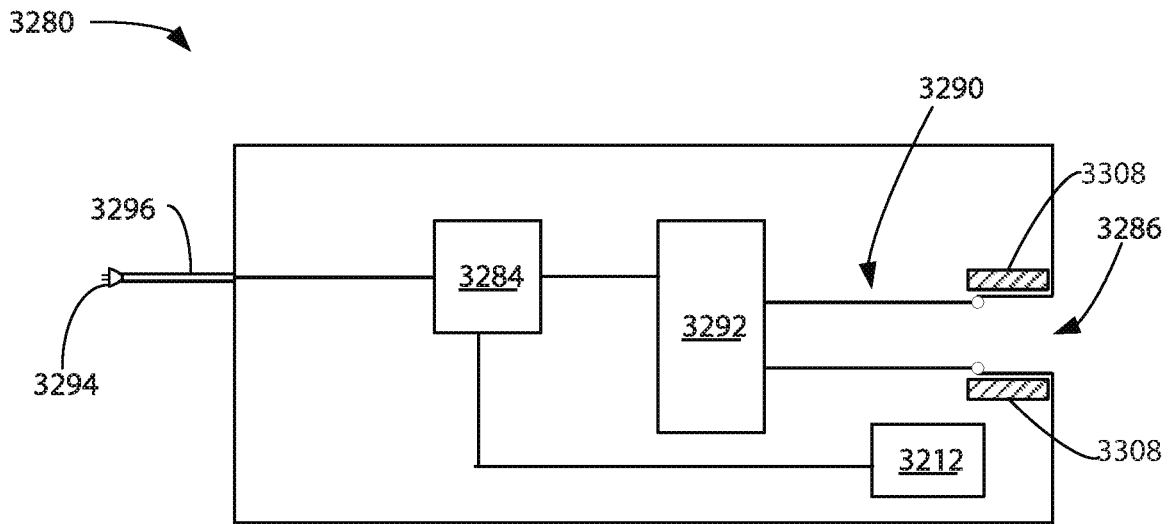


FIG. 14

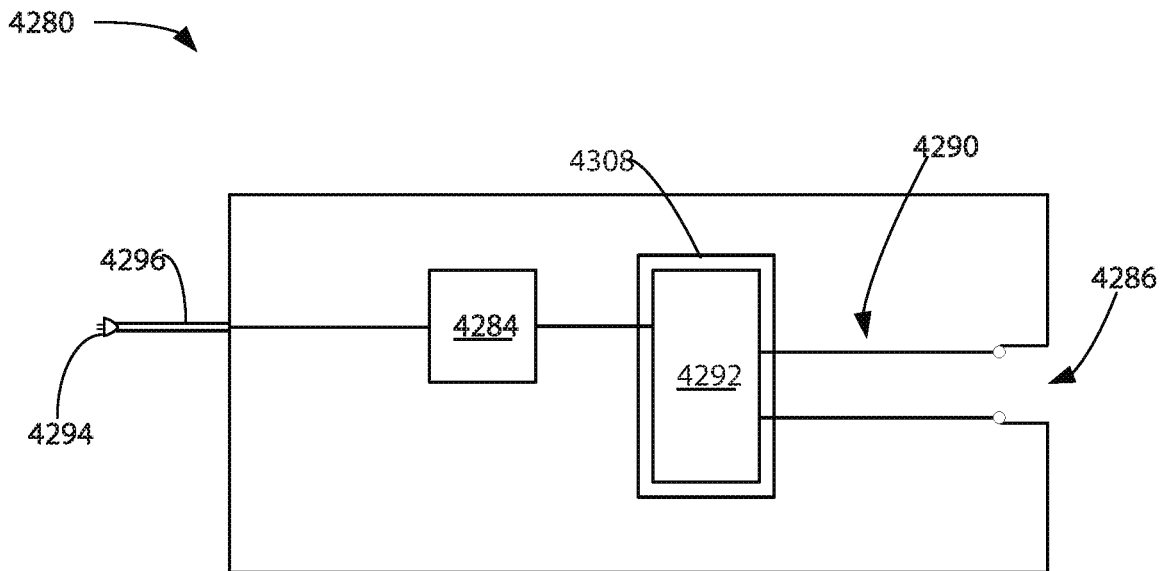


FIG. 15

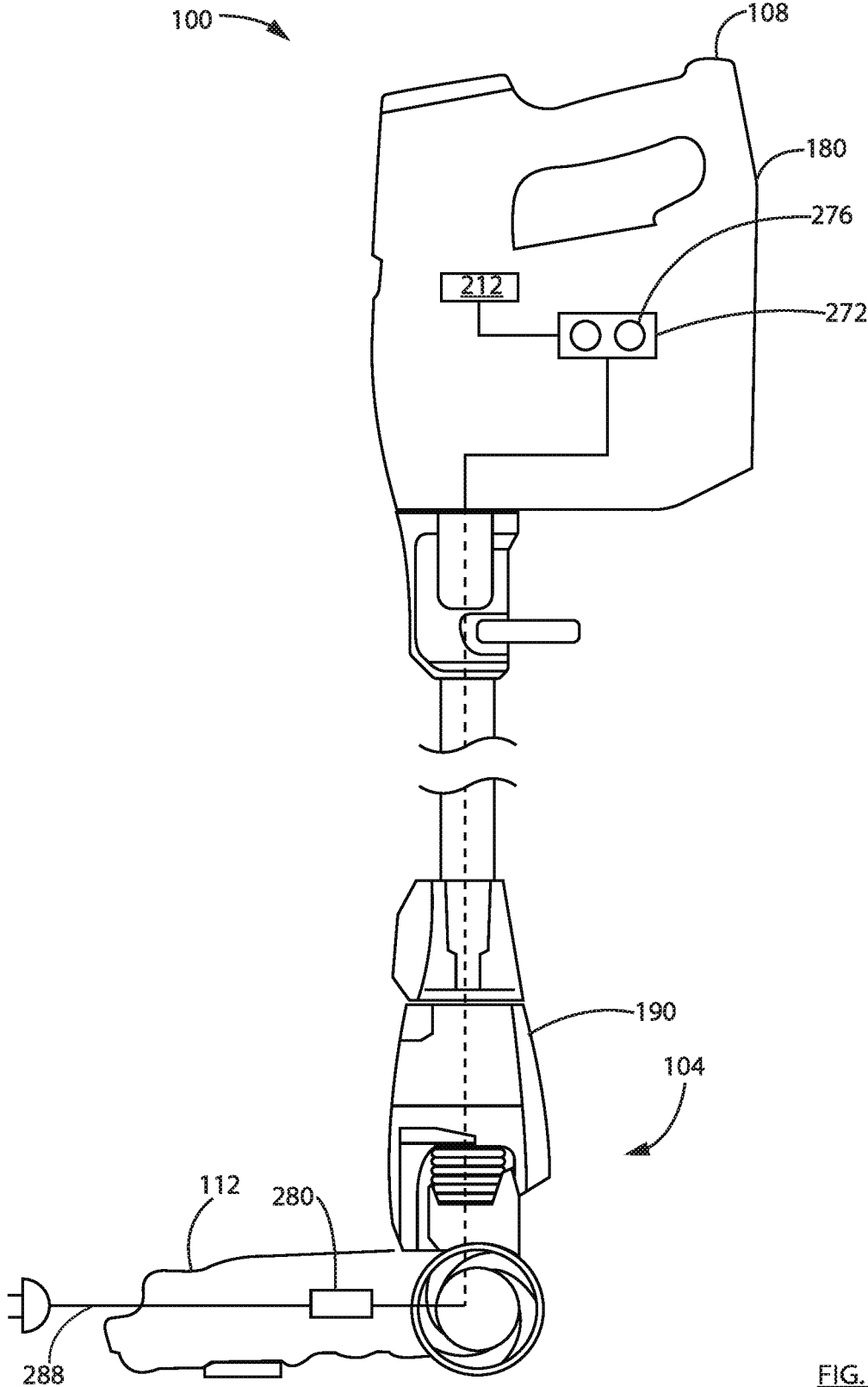


FIG. 16

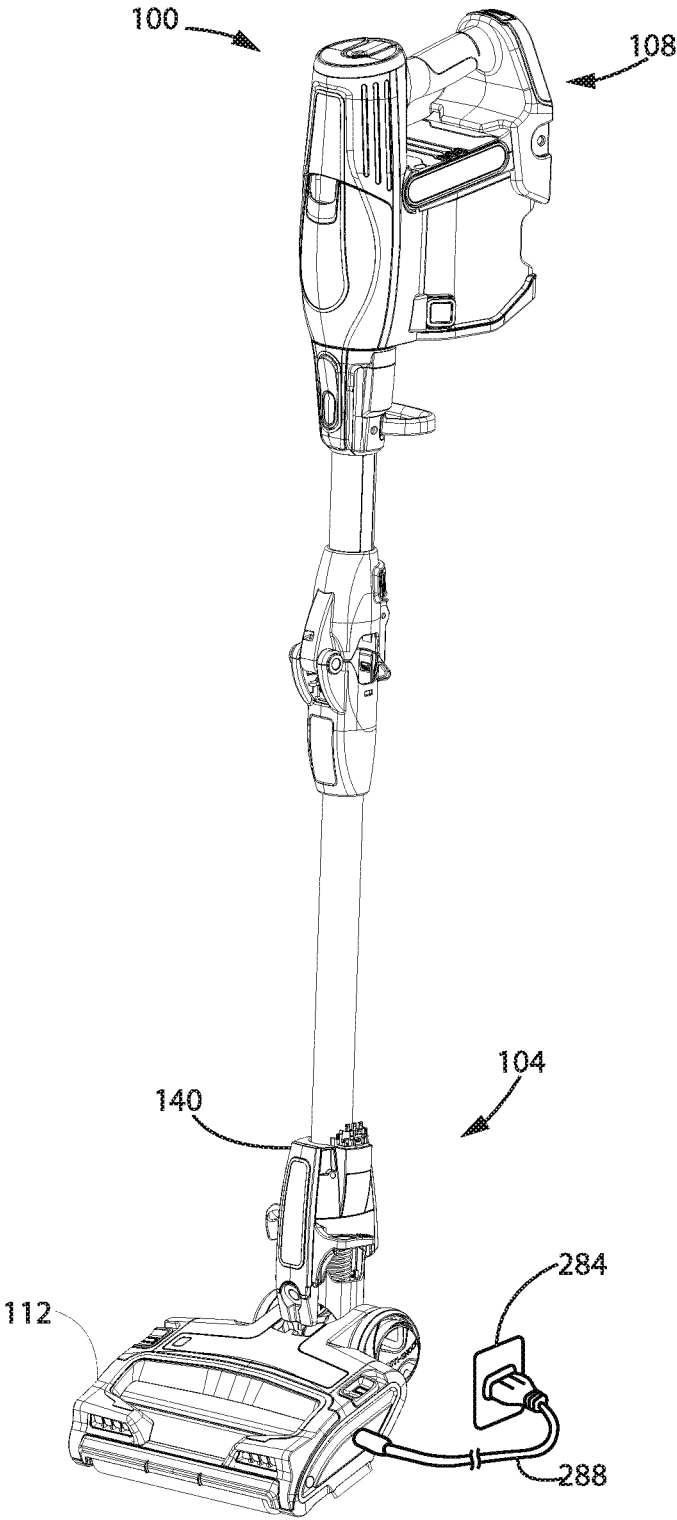


FIG. 17

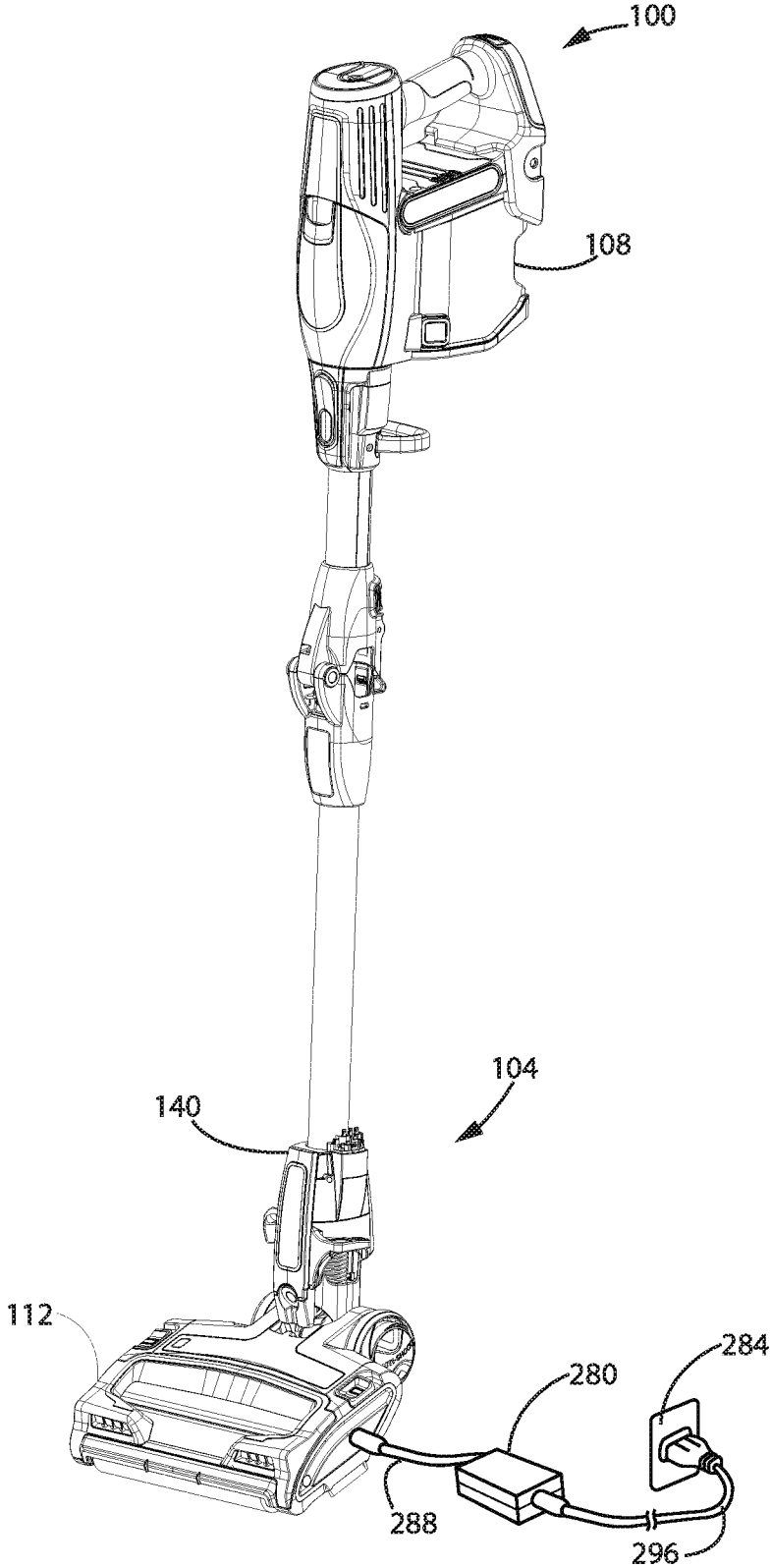


FIG. 18

**CORDLESS APPLIANCE, SUCH AS A
SURFACE CLEANING APPARATUS AND A
CHARGING UNIT THEREFOR**

FIELD

This disclosure relates generally to appliances, such as a surface cleaning apparatus, that are operable in a cordless mode. This disclosure also relates to charging units for energy storage members used in portable appliances, such as a surface cleaning apparatus, and in particular charging units with an on board energy storage member.

INTRODUCTION

The following is not an admission that anything discussed below is part of the prior art or part of the common general knowledge of a person skilled in the art.

U.S. Pat. No. 8,183,819 B2 of Sugano purports to disclose a boosting-charge power supply apparatus which supplies electric power for charging a mobile body having a boosting-charge control function, which includes: a rectifier for supplying DC power; a first power storage for storing DC power from the rectifier and outputting DC power; a charging circuit which sends DC power from the first power storage directly to a vehicle including a second power storage for storing DC power from the first power storage; and a power-supply controller for stopping the rectifier from supplying electric power to the first power storage while the first power storage is supplying electric power to charge the second power storage. Through the controller, DC power supplied from the first power storage becomes suitable for charging of the second power storage on the vehicle side, thereby enabling the same boosting-charge power supply apparatus to supply electric power and give a boosting charge to a different type of vehicle.

U.S. Pat. No. 8,482,263 B2 of Barrade et al. purports to disclose a method for rapidly charging a rechargeable device. An embodiment of the method comprises charging a first supercapacitor attached to a charging unit. In response to the device coupling to the charging unit, determining whether the charging unit is authorized to charge the device. The first supercapacitor discharging in response to the determining that the charging unit is authorized to charge the device, the discharging of the first supercapacitor resulting in a first current being generated. The first current is transferred to the device through an output of the charging unit for charging a second supercapacitor included in the device. The amount of the first current generated is regulated in response to the voltage at the output increasing at a rate above a set threshold, reducing the rate at which the voltage is increasing.

Unites States Publication No. 2016/0285289 A1 of Arends purports to disclose a battery charger with an internal power storage device that may be used to facilitate fast charging of a battery by using a high C-rate. A battery charger with an internal power storage device may include a control circuit that receives operating mode instructions to operate in a base charging mode or a fast charging mode. In the base charging mode, the battery charger may be configured to concurrently charge a battery and an internal power storage device at a base C-rate using current supplied from an external power source. In the fast charging mode, the battery charger may be configured to charge the battery at a high C-rate, which is substantially higher than the base C-rate, by using the internal power storage device. The

battery charger may include an optical reader used to identify battery-specific characteristics and enable the fast charging mode.

SUMMARY

The following introduction is provided to introduce the reader to the more detailed discussion to follow. The introduction is not intended to limit or define any claimed or as yet unclaimed invention. One or more inventions may reside in any combination or sub-combination of the elements or process steps disclosed in any part of this document including its claims and figures.

In accordance with an aspect of this disclosure, which may be used alone or in combination with any other aspect, it may be desirable for an energy storage member that powers a portable appliance, such as a hand vacuum cleaner, to be charged rapidly. This may reduce the downtime of, e.g., a hand vacuum cleaner that is powered by the energy storage member. This may also allow the e.g., a hand vacuum cleaner to have less on board stored power, which may be achieved by, e.g., using energy storage members that have a lower storage capacity and/or using fewer total energy storage members. As a result, the overall weight of the appliance may be reduced.

Ultracapacitors can be rapidly charged and discharged. Ultra-capacitors also tend to tolerate a greater number of charge and discharge cycles as compared to conventional rechargeable batteries. Using ultracapacitors as the energy supply for portable power appliances allows those appliances to be rapidly charged to an active state. However, ultra-capacitors may have a lower power storage capacity as compared to conventional rechargeable batteries.

To enable a portable appliance that utilizes ultracapacitors, it would be beneficial to provide a nearby power source that is able to recharge the ultra-capacitor rapidly, and in some cases multiple times without being depleted. However, portable power appliances supply such as outdoor lawn and garden tools are often used distant from a mains power supply. Also, a hand vacuum cleaner may be used in a room that is distal to a docking station. In such cases, it would be desirable to be able to charge the power appliance even when a mains power supply is not located nearby. Incorporating an onboard energy storage member into a portable charging unit may facilitate rapid recharges of the ultracapacitors, even when removed from a mains power supply.

In accordance with this broad aspect, there is provided a portable charging unit electrically connectable to a mains power supply, the portable charging unit comprising:

- (a) a hand carriable battery charger body;
- (b) an onboard energy storage member; and,
- (c) a power output circuit, which in operation, is electrically connected to the onboard energy storage member, wherein an ultracapacitor for a portable power appliance is electrically connectable to the portable charging unit, and

in an onboard energy storage member charging mode, the portable charging unit is electrically connected to the mains power supply, and the portable charging unit is operable to charge the onboard energy storage member using power from the mains power supply; and,

in an ultracapacitor charging mode, the onboard energy storage member is electrically connected to the power output circuit and the ultracapacitor is also electrically connected to the power output circuit, whereby the

portable charging unit is operable to charge the ultracapacitor by discharging stored energy from the energy storage member.

In some embodiments, the onboard energy storage member may comprise a lead acid battery.

In some embodiments, the power output circuit may omit any overvoltage protection circuitry.

In some embodiments, the charging unit may further comprise an output display operable to display a charge state of the onboard energy storage member.

In some embodiments, the charging unit may further comprise an output display operable to display a charge state of the ultracapacitor when the ultracapacitor is electrically connected to the power output circuit.

In some embodiments, in the ultracapacitor charging mode, the ultracapacitor may be recharged at a rate of at least 4 C. In some embodiments, in the ultracapacitor charging mode, the ultracapacitor may be recharged at a rate of at least 6 C.

In some embodiments, the charging unit may further comprise a thermal cooling unit wherein, in the onboard energy storage member charging mode, the thermal cooling unit is thermally connected to the energy storage member. In some embodiments, in the onboard energy storage member charging mode, the thermal cooling unit may be directly thermally connected to the energy storage member. Optionally, in such an embodiment, the ultracapacitor charging mode, the ultracapacitor may be recharged at a rate of at least 4 C.

In some embodiments, the charging unit may further comprise a thermal cooling unit; wherein in the ultracapacitor charging mode, the thermal cooling unit is thermally connected to the ultracapacitor. Optionally, in such an embodiment, in the ultracapacitor charging mode, the ultracapacitor is recharged at a rate of at least 4 C. In some embodiments, in the ultracapacitor charging mode, the ultracapacitor is recharged at a rate of at least 6 C.

In some embodiments, the charging unit may further comprise an electrical cord removably connectable with the mains power supply.

In some embodiments, the portable power appliance may comprise one of a power tool, a landscaping tool, a vacuum cleaner, and a kitchen appliance.

In some cases, it may also be desirable to charge the appliance energy storage member rapidly without overheating the energy storage member. This is the case whether the charging unit is portable and/or the charging of an energy storage member occurs while the energy storage member is located in a portable appliance. However, incorporating cooling components into a portable charger or a portable appliance increases the weight of the charger/appliance, which may be cumbersome, e.g., in portable appliances that are carried by users. However, if an energy storage member may be rapidly charged, then a shorter run time for an appliance may be acceptable by a user. Accordingly, fewer energy storage members may be provided. Accordingly, providing a portable charger which includes a cooling member may facilitate a portable appliance having a lower on board energy storage capacity.

In the case of a portable appliance having an on board charger, using fewer energy storage members may offset some or all of the weight of a cooling unit. Accordingly, a thermal cooling unit may be incorporated into the charging unit of a portable appliance. The thermal cooling unit can absorb thermal energy that is generated when the appliance energy storage member is charged, and then dissipate this thermal energy while the appliance is being used. Accord-

ingly, the portable appliance may contain energy storage members that provide, e.g., up to a 5, 6, 7, 8, 9, 10 or 15 minute run time at full power. This may reduce a the weight of a heavy component of the portable appliance thereby permitting a thermal cooling unit to be provided.

In accordance with this broad aspect, there is provided a portable charging unit electrically connectable to a mains power supply, the portable charging unit comprising:

- (a) a hand carriable battery charger body;
- (b) an onboard energy storage member;
- (c) a power output circuit, which in operation is electrically connected to the onboard energy storage member; and,
- (d) a thermal cooling unit, which in operation is thermally connected to at least one of the onboard energy storage member and an appliance energy storage member for a portable power appliance,

wherein the appliance energy storage member is electrically connectable to the portable charging unit and,

in an onboard energy storage member charging mode, the portable charging unit is electrically connected to the mains power supply and, the battery charger is operable to charge the onboard energy storage member using power from the mains power supply; and

in an appliance energy storage member charging mode, the onboard energy storage member is electrically connected to the power output circuit and the appliance energy storage member is also electrically connected to the power output circuit, whereby the charging unit is operable to charge the appliance energy storage member by discharging stored energy from the onboard energy storage member to the appliance energy storage member.

In some embodiments, the onboard energy storage member comprises a lead acid battery.

In some embodiments, the appliance energy storage member may comprise a lithium ion battery.

In some embodiments, the appliance energy storage member may comprise an ultracapacitor.

In some embodiments, in the appliance energy storage member charging mode, the thermal cooling unit may be thermally connected to the appliance energy storage member.

In some embodiments, in an appliance energy storage member charging mode, the appliance energy storage member may be recharged at a rate of at least 4 C.

In accordance with this broad aspect, there is also provided a kit comprising:

- (a) a portable power appliance comprising a motor and an appliance energy storage member electrically connectable to the motor;
- (b) a hand carriable battery charger electrically connectable to a mains power supply, the hand carriable battery charger comprising: an onboard energy storage member electrically connectable to the battery charger; and, a power output circuit having an appliance electrical port that is electrically connectable to the appliance energy storage member,

wherein

in an onboard energy storage member charging mode, the battery charger is electrically connected to the mains power supply, the battery charger is operable to charge the onboard energy storage member using power from the mains power supply; and,

when in the appliance energy storage charging mode, the appliance energy storage member is electrically connected to the appliance electrical port and the appliance

5

energy storage member is also electrically connected to the power output circuit, whereby the charging unit is operable to charge the appliance energy storage member by discharging stored energy from the onboard energy storage member to the appliance energy storage member.

In some embodiments, the onboard energy storage member may comprise a lead acid battery.

In some embodiments, the appliance energy storage member may comprise a lithium ion battery.

In some embodiments, the appliance energy storage member may comprise an ultracapacitor.

In some embodiments, in the appliance energy storage charging mode, the appliance energy storage member may be recharged at a rate of at least 4 C. In some embodiments, in the appliance energy storage charging mode, the appliance energy storage member may be recharged at a rate of at least 6 C.

In some embodiments, the portable power appliance may comprise an appliance electrical cord having a first end that is electrically connectable to the appliance energy storage member and a second end; and, the appliance electrical port defines an appliance power outlet that is electrically connectable to the second end of the appliance electrical cord, whereby when the onboard energy storage member is electrically connected to the battery charger and the appliance energy storage member is electrically connected to the appliance electrical port, power from the onboard energy storage member is provided to the appliance energy storage member via the appliance electrical cord.

In some embodiments, the portable power appliance may comprise a main body; the motor is provided within the main body; the appliance energy storage member is removable from the main body; and, the appliance energy storage member is directly mountable to the appliance electrical port.

In some embodiments, the portable power appliance may comprise one of a power tool, a landscaping tool, a surface cleaning apparatus such as a vacuum cleaner, and a kitchen appliance.

In accordance with an aspect of this disclosure, which may be used alone or in combination with any other aspect, it may be desirable to prevent an energy storage member from being overcharged. Allowing the energy storage member to be overcharged can result in damage and degradation of the energy storage member, thereby reducing the usable lifespan of the energy storage member. Accordingly, a charging unit may be adapted to prevent the energy storage member that is being charged from reaching an overvoltage condition.

While active feedback and monitoring systems may be used to prevent overcharging of energy storage members, active feedback components that monitor the charge state of an energy storage member increase the size and cost of the charging unit. Accordingly, a charging unit that is configured to prevent an overcharge state through the configuration of the power output circuit, such as omitting any overvoltage protection circuitry, may protect the energy storage member while reducing size, complexity and manufacturing costs.

In accordance with this broad aspect, there is provided a charging unit electrically connectable to a mains power supply, the charging unit comprising:

- (a) a battery charger body;
- (b) an onboard energy storage member having a positive electrode and a negative electrode; and,

6

(c) a power output circuit which omits any overvoltage protection circuitry and which, in a charging mode, is electrically connected to the onboard energy storage member,

5 wherein an ultracapacitor for a portable power appliance is electrically connectable to the portable charging unit, and

when the ultracapacitor is electrically connected to the power output circuit, the ultracapacitor is connected between the positive electrode and the negative electrode of the onboard energy storage member in an open circuit charging configuration whereby a maximum charge state of the ultracapacitor is defined by a voltage level of the onboard energy storage member.

15 In some embodiments, the power output circuit may comprise a load resistor, and when the ultracapacitor is connected to the power output circuit, the load resistor is in series with the ultracapacitor between the positive electrode and the negative electrode.

20 In some embodiments, the power output circuit may comprise a load inductor, and when the ultracapacitor is connected to the power output circuit, the load inductor is in series with the ultracapacitor between the positive electrode and the negative electrode.

25 In some embodiments, the charging unit may be hand-carriable.

In some embodiments, the charging unit may further comprise an electrical cord removably connectable with the mains power supply.

30 In some embodiments, the energy storage member may comprise a lead acid battery.

In some embodiments, the energy storage member may comprise a lithium ion battery.

35 In some embodiments, the charging unit may further comprise an output display operable to display a charge state of the ultracapacitor when the ultracapacitor is electrically connected to the power output circuit.

In some embodiments, the charging unit may further comprise a control circuit operable to determine the charge state of the ultracapacitor by measuring a current flow level through the power output circuit when the ultracapacitor is electrically connected to the power output circuit.

In some embodiments, the charging unit may further comprise an output display operable to display a charge state of the energy storage member.

In some embodiments, when the ultracapacitor is electrically connected to the power output circuit, the ultracapacitor may be recharged at a rate of at least 4 C.

50 In some embodiments, when the ultracapacitor is electrically connected to the power output circuit, the ultracapacitor may be recharged at a rate of at least 6 C.

In some embodiments, the portable power appliance comprises one of a power tool, a landscaping tool, a surface cleaning apparatus such as a vacuum cleaner, and a kitchen appliance.

In some embodiments, the ultracapacitor is directly connectable with the power output circuit.

60 When the energy storage member being charged is an ultracapacitor, it may be desirable to reduce the level of inrush current that may arise when a depleted ultracapacitor is initially connected to the charging unit. A depleted ultracapacitor may operate essentially as a short circuit resulting in a high current level for a constant voltage source. Accordingly, in accordance with an aspect of this disclosure, which may be used alone or in combination with any other aspect, incorporating a load component such as a resistive or inductive load component in line with the ultracapacitor may

prevent the inrush current from damaging components of the charging unit or overheating the charging unit.

In accordance with this aspect of the disclosure, there is also provided a charging unit electrically connectable to a mains power supply, the charging unit comprising:

- (a) a battery charger body;
- (b) an onboard energy storage member electrically having a positive electrode and a negative electrode; and
- (c) a power output circuit comprising an electrical output port that is electrically connectable to an ultracapacitor and an output circuit load in series with the electrical output port,

wherein

when the ultracapacitor is electrically connected to the electrical output port, the ultracapacitor is connected to the energy storage member in an open circuit charging configuration whereby a maximum charge state of the ultracapacitor is defined by a voltage level of the onboard energy storage member; and

when the ultracapacitor is electrically connected to the electrical output port, the ultracapacitor is connected in series with the load component between the positive electrode and the negative electrode whereby an inrush current from the onboard energy storage member to the ultracapacitor is reduced by the load component.

In some embodiments, the output circuit load may comprise one of a load inductor and a load resistor.

In some embodiments, the energy storage member may comprise a lead acid battery.

In some embodiments, the charging unit may further comprise a control circuit operable to determine the charge state of the ultracapacitor by measuring a current flow level through the power output circuit when the ultracapacitor is electrically connected to the electrical output port.

In some embodiments, the charging unit may further comprise an output display operable to display a charge state of the energy storage member.

In some embodiments, when the ultracapacitor is electrically connected to the power output circuit, the ultracapacitor may be recharged at a rate of at least 4 C.

In some embodiments, the ultracapacitor may be directly connectable with the electrical output port.

In some embodiments, the power output circuit may omit any overvoltage protection circuitry.

In accordance with an aspect of this disclosure, which may be used alone or in combination with any other aspect, it may be desirable for an appliance charging unit to be capable of powering a portable power appliance directly, as well as charging the appliance energy storage member. This may allow the charging unit to operate as a mobile power supply for the portable power appliance that has greater capacity than the appliance energy storage members. This may also allow the appliance charging unit to extend the operational period of the portable power appliance beyond what may be provided if the appliance operates only off power from an integrated appliance energy storage member.

In accordance with this broad aspect, there is provided an appliance charging unit electrically connectable to a mains power supply, the appliance charging body comprising:

- (a) a battery charger body;
- (b) an onboard energy storage member; and,
- (c) a power output circuit electrically connectable to a portable power appliance that includes a motor and an appliance energy storage member,

wherein

when the portable power appliance is connected to the power output circuit, the charging unit is operable in a first mode of operation and a second mode of operation; in the first mode of operation the charging unit is operable to power the motor directly using power from the onboard energy storage member; and

in the second mode of operation, the charging unit is operable to charge the appliance energy storage member using power from the onboard energy storage member.

In some embodiments, the onboard energy storage member may comprise a lead acid battery.

In some embodiments, the onboard energy storage member may comprise a lithium ion battery.

In some embodiments, the appliance energy storage member may comprise an ultracapacitor.

In some embodiments, in the first mode of operation, the charging unit may be operable to charge the appliance energy storage member also while powering the motor.

In some embodiments, when the appliance charging unit is electrically connected to the mains power supply, the charging unit may be operable in a third mode of operation in which power from the mains power supply is used to power the portable power appliance.

In some embodiments, the charging unit may be operable in the first mode of operation when the appliance charging unit is disconnected from the mains power supply.

In some embodiments, the charging unit may be operable in the second mode of operation when the battery charger is disconnected from the mains power supply.

In some embodiments, the charging unit may be hand carryable.

In some embodiments, the power output circuit may include a first power output port and a second power output port; the first power output port may be electrically connectable to the portable power appliance; the second power output port may be electrically connectable to the portable power appliance; wherein, when the portable power appliance is electrically connected to the first power output port, the charging unit is configured to operate in the first mode of operation; and wherein, when the portable power appliance is electrically connected to the second power output port, the charging unit is configured to operate in the second mode of operation.

In some embodiments, the portable power appliance may include an appliance electrical cord, and the first power output port and the second power output port are separately connectable with the appliance electrical cord.

In some embodiments, the power output circuit may include a storage member power output port, and the appliance energy storage member is directly engageable with the storage member power output port.

In some embodiments, the appliance charging unit may further comprise a charger electrical cord removably connectable with the mains power supply.

In some embodiments, the charging unit may include a retractable cord reel, and the charger electrical cord is connected to the retractable cord reel.

In some embodiments, the portable power appliance may comprise one of a power tool, a landscaping tool, a vacuum cleaner, and a kitchen appliance.

In some embodiments, the portable power appliance may comprise an appliance main body, and the charging unit is mountable to the appliance main body.

It will be appreciated by a person skilled in the art that an apparatus or method disclosed herein may embody any one

or more of the features contained herein and that the features may be used in any particular combination or sub-combination.

These and other aspects and features of various embodiments will be described in greater detail below.

BRIEF DESCRIPTION OF THE DRAWINGS

For a better understanding of the described embodiments and to show more clearly how they may be carried into effect, reference will now be made, by way of example, to the accompanying drawings in which:

FIG. 1 is a perspective view of an example portable power appliance in accordance with an embodiment;

FIG. 2 is an exploded view of the components of a portable power appliance of FIG. 1;

FIG. 3 is a perspective view of a removable portion of the portable power appliance of FIG. 2;

FIG. 4 is a side elevation view of the removable portion of the portable power appliance of FIG. 3 with an energy storage member removed;

FIG. 5 is a perspective view of the energy storage member of FIG. 4 and an example charging unit in accordance with an embodiment;

FIG. 6 is a schematic illustration of a portable power appliance and charging unit in accordance with an embodiment;

FIG. 7 is a schematic illustration of an example charging unit in accordance with an embodiment;

FIGS. 8A-8D are schematic illustrations of example power output circuits for the charging unit of FIG. 7;

FIG. 9 is a schematic illustration of another example charging unit in accordance with an embodiment;

FIG. 10A is a schematic illustration of another example charging unit in accordance with an embodiment;

FIG. 10B is a schematic illustration of another example charging unit in accordance with an embodiment;

FIGS. 11-15 are schematic illustrations of an energy storage member, a thermal cooling unit, and a charger circuit, in accordance with various embodiments;

FIG. 16 is a schematic illustration of a portable power appliance in accordance with an embodiment;

FIG. 17 is a perspective view of the portable power appliance of FIG. 15 connected by a power cable to a stationary power supply, in accordance with an embodiment; and,

FIG. 18 is a schematic illustration of another example portable power appliance in accordance with an embodiment;

The drawings included herewith are for illustrating various examples of articles, methods, and apparatuses of the teaching of the present specification and are not intended to limit the scope of what is taught in any way.

DESCRIPTION OF EXAMPLE EMBODIMENTS

Various apparatuses, methods and compositions are described below to provide an example of an embodiment of each claimed invention. No embodiment described below limits any claimed invention and any claimed invention may cover apparatuses and methods that differ from those described below. The claimed inventions are not limited to apparatuses, methods and compositions having all of the features of any one apparatus, method or composition described below or to features common to multiple or all of the apparatuses, methods or compositions described below. It is possible that an apparatus, method or composition

described below is not an embodiment of any claimed invention. Any invention disclosed in an apparatus, method or composition described below that is not claimed in this document may be the subject matter of another protective instrument, for example, a continuing patent application, and the applicant(s), inventor(s) and/or owner(s) do not intend to abandon, disclaim, or dedicate to the public any such invention by its disclosure in this document.

The terms “an embodiment,” “embodiment,” “embodiments,” “the embodiment,” “the embodiments,” “one or more embodiments,” “some embodiments,” and “one embodiment” mean “one or more (but not all) embodiments of the present invention(s),” unless expressly specified otherwise.

The terms “including,” “comprising” and variations thereof mean “including but not limited to,” unless expressly specified otherwise. A listing of items does not imply that any or all of the items are mutually exclusive, unless expressly specified otherwise. The terms “a,” “an” and “the” mean “one or more,” unless expressly specified otherwise.

As used herein and in the claims, two or more parts are said to be “coupled,” “connected,” “attached,” or “fastened” where the parts are joined or operate together either directly or indirectly (i.e., through one or more intermediate parts), so long as a link occurs. As used herein and in the claims, two or more parts are said to be “directly coupled,” “directly connected,” “directly attached,” or “directly fastened” where the parts are connected in physical contact with each other. None of the terms “coupled,” “connected,” “attached,” and “fastened” distinguish the manner in which two or more parts are joined together.

Furthermore, it will be appreciated that for simplicity and clarity of illustration, where considered appropriate, reference numerals may be repeated among the figures to indicate corresponding or analogous elements. In addition, numerous specific details are set forth in order to provide a thorough understanding of the example embodiments described herein. However, it will be understood by those of ordinary skill in the art that the example embodiments described herein may be practiced without these specific details. In other instances, well-known methods, procedures, and components have not been described in detail so as not to obscure the example embodiments described herein. Also, the description is not to be considered as limiting the scope of the example embodiments described herein.

General Description of a Portable Power Appliance

Referring to FIGS. 1-6, exemplary embodiments of a portable power appliance are shown generally as **100**. The following is a general discussion of apparatus **100** which provides a basis for understanding several of the features which are discussed herein. As discussed subsequently, each of the features may be used individually or in any particular combination or sub-combination in this or in other embodiments disclosed herein.

In the example of FIG. 1, the portable power appliance **100** is a surface cleaning apparatus. Although portable power appliance **100** is shown as a surface cleaning apparatus, it should be understood that other portable power appliances such as power tools (e.g. drills, screwdrivers, power saws), landscaping tools (e.g. lawn mowers, weed whackers, hedge trimmers, leaf blowers, snow removal equipment such as snow blowers), and kitchen appliances (e.g., a hand mixer) may be used in embodiments described herein.

Surface cleaning apparatus **100** may be any type of surface cleaning apparatus, including for example a stick vacuum cleaner as exemplified in FIG. 1, an upright vacuum

cleaner, a canister vacuum cleaner, an extractor or a wet/dry type vacuum cleaner. Optionally, the surface cleaning apparatus **100** may use one or more cyclones and may therefore be a cyclonic surface cleaning apparatus.

Portable power appliance **100** is an example of a power appliance having a base section and a removable portion mounted to the base section. In FIGS. 1-6, surface cleaning apparatus **100** is illustrated as including a floor cleaning unit **104** as the base section, and a portable surface cleaning unit **108** (which may be referred to as a hand vacuum cleaner) that is removably connectable to the floor cleaning unit **104**. Other examples of portable power appliances having removable portions may include stand mixers with removable hand mixers, or surface cleaning apparatuses having lift away modules or canisters. An example is an upright vacuum cleaner with a lift away module, such as is shown in US patent publication No. 2014/0237755.

In the example of appliance **100**, floor cleaning unit **104** may include a surface cleaning head **112** adapted to clean floors. Portable surface cleaning unit **108** may include an air treatment member **116**. Surface cleaning apparatus **100** may include an upright configuration (also referred to as a 'floor cleaning configuration', see FIG. 1) in which portable surface cleaning unit **108** is mounted to floor cleaning unit **104**, and dirty air that enters at surface cleaning head **112** flows downstream to portable surface cleaning unit **108** where the dirty air is cleaned by air treatment member **116**. Surface cleaning apparatus **100** may also include a 'portable cleaning configuration' (also referred to as a 'hand carryable configuration', or 'above-floor cleaning configuration', see FIGS. 3 and 4), in which portable surface cleaning unit **108** is separated from floor cleaning unit **104**, such as to clean above-floor surfaces and surfaces generally inaccessible to or unsuitable for cleaning with surface cleaning head **112** for example. In any such configuration, a user may manipulate the appliance **100** using handle **120**.

In general, portable power appliances described in the embodiments herein include one or more electrical components such as a motor, control unit, and/or output display. For instance as shown in FIG. 4, portable surface cleaning unit **108** may include a suction motor **212** to generate vacuum suction through the air flow path of the surface cleaning apparatus **100**. Various other types of electrical motors or actuators may be used depending on the type of appliance. In the example shown, suction motor **212** may be a fan-motor assembly including an electric motor and impeller blade(s).

A trend in some portable power appliances such as cordless vacuum cleaners is to provide longer runtime in a single charge. For example, some cordless vacuum cleaners can run continuously for 30 minutes or more before recharging. However, such vacuum cleaners require multiple large, expensive, heavy batteries. In use, this can make these vacuum cleaners unwieldy to carry, in both size and weight. Moreover, it can take a long time to fully recharge a plurality of high capacity batteries, and batteries often degrade and require replacement during the working life of a vacuum cleaner. The battery replacement cost is a significant expense for the user.

In some embodiments disclosed herein, a portable power appliance may be equipped with an energy storage member comprising or consisting of one or more capacitors. As compared with rechargeable batteries (e.g. lead-acid, Ni-Cad, NiMH, or lithium), a capacitor can be recharged much faster, and have a much longer lifespan (measured in charge cycles). With battery powered appliances, traditional design philosophy is that it is important to have a long runtime to

mitigate having to recharge in the middle of a cleaning session, since the recharge could take several hours, which would be disruptive to the user who wishes to finish their cleaning session in a timely manner.

In contrast, with a capacitor powered portable appliance, the need to recharge mid-session may be minimally disruptive as it may only require a few seconds to a few minutes to recharge. Therefore, a capacitor powered portable appliance may include comparatively less energy storage capacity because avoiding a recharge mid-session is not a priority. As a result, a capacitor powered portable appliance may have one or more capacitor that are relatively smaller and lighter as compared with a high capacity battery. This can make a capacitor powered portable appliance unit smaller and lighter overall, without compromising performance (e.g., air flow rate and/or suction power) or user experience. Moreover, the long lifespan of capacitors (often 1 million charge cycles or more) means that the capacitors will not generally require replacement during the working life of the portable appliance.

For convenience, reference to "a capacitor" herein means "one or more capacitors", unless expressly stated otherwise (e.g. "a single capacitor"). Similarly, reference to "a battery" herein means "one or more batteries", unless expressly stated otherwise (e.g. "a single battery").

Referring to FIGS. 4 and 6, the portable surface cleaning unit **108** of appliance **100** is shown including an energy storage member **272**. Energy storage member **272** may comprise or consist of a capacitor **276**. For example, capacitor **276** may be the only significant energy storage in energy storage member **272**, or energy storage member **272** may further include a battery. Some or all of the power consuming elements of appliance **100** may be powered by capacitor **276**. For example, at least suction motor **212** may be powered by capacitor **276**. In some embodiments, some or all power consuming elements of portable surface cleaning unit **108** may be exclusively powered by capacitor **276**. For example, at least suction motor **212** may be exclusively powered by capacitor **276** in some embodiments.

In some embodiments, the appliance energy storage member **272** included in the removable section **108** may include all of the energy storage members for the entire appliance. Additionally or alternatively, the base section **104**, which may include a brush motor, may include one or more appliance energy storage members **272**.

Capacitor **276** may be any capacitor suitable for supplying power required to operate at least suction motor **212**. For example, capacitor **276** may be an ultracapacitor (also referred to as a supercapacitor or Goldcap™). As compared to an electrolytic capacitor, ultracapacitors have dramatically higher energy density (per unit mass and per unit volume). Types of ultracapacitors include electrostatic double-layer capacitors (EDLCs), electrochemical pseudocapacitors, and hybrid capacitors that store charge both electrostatically and electrochemically. Capacitor **276** may be recharged by power from a power source external to portable surface cleaning unit **108**.

As shown in FIGS. 1-4, the portable power appliance **100** may have a main body **180**. The motor **212** can be contained within the main body **180** of the appliance **100**. The appliance energy storage member **272** can also be mounted to, or within the main body **180**. In some embodiments, the appliance energy storage member **272** may be removable from the main body **180** for charging.

FIGS. 4-5 show an example in which energy storage member **272** is removable from portable surface cleaning unit **108** for electrically connecting to an external charging

unit 280. The energy storage member 272 may be maintained within an energy storage member housing 273. The appliance energy storage member 272 may be removed from the appliance 100 while within this housing 273. Alternately, only the energy storage member 272 may be removable or a housing 273 may be removable and the energy storage member 272 may then be removed from housing 273 for charging.

External charging unit 280 may be powered by an electrical connection to a stationary power supply 284 (e.g. mains power). An advantage of this design is that it can allow the user to swap a discharged energy storage member 272 for a charged energy storage member 272, which may be stored on the charging unit 280. The external charging unit 280 also reduces the size and weight of portable power appliance 100 as compared with including the charging unit 280 within portable power appliance 100. Further, this design may not require portable appliance 100 to have a power cord or power cord connector, which may also reduce the size and weight of appliance 100 all else being equal.

Alternatively or in addition to energy storage member 272 being removable for recharging, energy storage member 272 may be rechargeable in-situ without removal from appliance 100. For example, FIG. 6 shows an embodiment in which the portable surface cleaning unit 108 of appliance 100 includes a power cable 288 for transmitting power from charging unit 280 towards energy storage member 272. An advantage of a non-removable energy storage member 272 is that it may not require a discrete outer shell for user handling and transportation since it is permanently held within main body 180. Further, a non-removable energy storage member 272 may not require hardware to support easy user removal and insertion of energy storage member 272. This may reduce the size and weight of portable surface cleaning unit 108 as compared with including charger 280 within portable surface cleaning unit 108, all else being equal.

Alternatively, appliance 100 may include a power cable 288 that is electrically connectable to a different section of appliance 100, such as surface cleaning head 112 (See for example FIG. 18). The power cable 288 can be used to transmit power from charging unit 280 to energy storage member 272 via wiring internal of appliance 100.

In some embodiments power cable 288 may be permanently connected to appliance 100. An advantage of this design is that it may not require appliance 100 to have hardware to support a removable connection, and it may make connecting portable appliance 100 to a stationary power supply 284 more convenient to the extent that a separate power cable 288 does not need to be relocated to the selected power supply 284.

Alternatively, power cable 288 may be removably connected to portable appliance 100. For example, power cable 288 may be connected to portable appliance 100 only when it is desired to recharge energy storage member 272. An advantage of this design is that it does not require the user to carry the weight of power cable 288 when portable appliance 100 does not require a connection to a stationary power supply 284 (e.g. when not recharging).

In an alternative configuration, appliance 100 may include the charging unit 280 within a portion of the appliance body. An advantage of this design is that it may make connecting portable appliance 100 to a stationary power supply 284 more convenient, in that an external charger does not need to be relocated to the selected stationary power supply 284.

For example, the charging unit 280 may be integrated within the base section 104 of the appliance 100 (see for example FIG. 16).

Reference is now made to FIGS. 16-17. FIGS. 16 and 17 illustrate an example of a portable power appliance that includes an integrated charging unit 280. In portable power appliances, such as appliance 100, having a base unit 104 and a separate removable section 108, the charging unit 280 may be integrated with the base unit 104. The charging unit 280 may then recharge the energy storage members 272 in the removable section 108, when the removable section 108 is mounted to the base 104.

As shown, the appliance 100 may include charging unit 280 within the floor cleaning unit 104. For example, charger 280 may be located in surface cleaning head 112 as shown, or in upper section 140. When portable surface cleaning unit 108 is connected to floor cleaning unit 104, charger 280 may recharge energy storage member 272 (including at least capacitor 276). In some embodiments, when charging unit 280 is connected to a source of power, with the removable section mounted to the base, the charging unit 280 may power the appliance 100 while simultaneously recharging the energy storage member 272 of the removable section. In some embodiments, the charging unit 280 may operate to recharge the energy storage member 272 even when disconnected from a power supply, e.g. by discharging power from an onboard energy storage member 292 as described subsequently herein.

In some embodiments, a portable power appliance 100 may include an appliance energy storage member 272 within the base section 104. For example, FIG. 18 illustrates an example in which an appliance energy storage member can be mounted within the surface cleaning head 112 or upper section 140 of the base 104. This appliance energy storage member can be charged by charging unit 280 in an analogous manner to the appliance energy storage member 272 mounted within the removable section 108. In some cases, the removable section 108 may also include an additional appliance energy storage member 272 that may be charged concurrently with, or separately from, the appliance energy storage member 272 mounted within the base section.

Portable Charging Unit Including Onboard Energy Storage Member

As noted above, it may be desirable for an energy storage member to be charged rapidly. It may also be desirable to provide a portable charging unit that can charge the energy storage member, even when not connected to a stationary power supply. This may reduce the downtime of an appliance powered by the energy storage member. This may also allow the appliance to use energy storage members with a lower power storage capacity, or fewer total energy storage members, and reduce the overall weight of the appliance when being used with the energy storage members.

In embodiments described herein, a charging unit may be provided with an onboard energy storage member and the onboard energy storage member is used to charge an appliance energy storage member, an energy storage member that is itself then used to power a portable power appliance, such as an ultracapacitor. The charging unit may be portable to facilitate charging of the portable power appliance, even at locations distant from stationary power supplies such as mains power. For example, the charging unit could be transported on floor cleaning unit 112 or be hand carryable by a user.

The features in this section may be used by itself in any appliance (e.g., surface cleaning apparatus) or in any combination or sub-combination with any other feature or features described herein.

Referring to FIGS. 5 and 7, shown therein is an example embodiment of a charging unit shown generally as **280**. The charging unit **280** is a simplified example of a charging unit in which an onboard energy storage member **292** is included as part of the charging unit **280**. The charging unit **280** is adapted to charge an appliance energy storage member, such as energy storage member **272** used with portable appliance **100**. It will be appreciated that onboard energy storage member **292** may or may not be removably mounted to charging unit **180** and may be fully contained in or partially nested in charging unit **180**.

The charging unit **280** generally includes a charger body **282** (which may be referred to as a hand carryable battery charger body), charger circuitry **284**, an onboard energy storage member **292**, and a power output circuit **290**. The charging unit **280** includes a power input port **294** and at least one power output port **286** (also referred to as an appliance electrical port).

Charger **280** may include one or more charging circuits **284** for (i) supplying power from a stationary power supply (i.e. via a power cable) to energy storage member **292**, and/or (ii) supplying power from onboard energy storage member **292** to appliance energy storage member **272**, and/or (iii) supplying power from a stationary power supply (i.e. via a power cable) to appliance energy storage member **272**.

As shown in the example of FIG. 7, the charging unit **280** includes a charging circuit **284** that is adapted to supply power from a stationary power supply to onboard energy storage member **292** using power cable **296**. The charging unit **280** also includes a power output circuit **290** that is adapted to supply power from onboard energy storage member **292** to an appliance energy storage member **272**. In operation, the power output circuit **290** is adapted to electrically connect the onboard energy storage member **292** and the appliance energy storage member **272**.

The charging unit **280** can be configured to operate in a number of different charging modes. In a first charging mode (also referred to as an onboard energy storage member charging mode), the charging unit **280** can charge the onboard energy storage member **292** using power from a stationary or mains power supply **284**. The charging unit **280** can be electrically connected to the mains power supply by power input port **294**. For instance, an electrical cord **296** can be used to electrically connect input port **294** to charging circuitry **284**.

The charging circuitry **284** can be adapted to convert the power from the mains power supply into a form usable to charge the onboard energy storage member **292**. For instance, the mains power supply may provide AC power, while the onboard energy storage member **292** may require DC current in order to be charged. The charging circuitry **284** can thus include a rectifier operable to rectify the alternating current received from the mains power supply into direct current usable to charge the onboard energy storage member **292**.

The charging unit **280** can also be configured to operate in a second charging mode, namely an appliance energy storage member charging mode (also referred to as an ultracapacitor charging mode where the appliance energy storage member **272** includes an ultracapacitor). In the second mode of operation, the onboard energy storage member **292** is connected to power output circuit **290**. The

appliance energy storage member **272** is also connected to power output circuit **290** via power output port **286**. The charging unit **280** can then charge the appliance energy storage member **272** by discharging stored energy from the onboard energy storage member **292** to the appliance energy storage member **272**. It will be appreciated that onboard energy storage member **292** may also be recharged while onboard energy storage member **292** is charging appliance energy storage member **272**.

FIGS. 8A-8D illustrate various configurations of power output circuit **290**. As shown in FIG. 8A, the power output circuit **290** can include onboard energy storage member **292** electrically connected to power output port **286**. The power output port **286** can include output electrodes **300a** and **300b** between which the appliance energy storage member **272** can be connected for charging. The output electrodes **300a** and **300b** can be connected to the respective positive and negative electrodes of the onboard energy storage member **292** (when onboard energy storage member **292** is connected to the power output circuit **290**).

The power output circuit **290** can also include a load component **302**. The load component may be in the form of a resistive load element or an inductive load element. When a capacitor **276** is used as the appliance energy storage member **272**, and the depleted capacitor **276** is connected to the output port **286** (as shown in FIG. 8B), the capacitor **276** may effectively provide a short circuit in the output power circuit **290**. As a result, the initial inrush current through power output circuit **290** may be quite high. Providing the load component **302** in series with the output port **286** minimizes the maximum current that is able to flow through the power output circuit **290**, even in a short circuit condition.

In some embodiments, the appliance energy storage member **272** may be connected to the power output circuit **290** directly. The charging unit **280** may define an energy storage member receiving area **281** (as shown in FIG. 5) within which the appliance energy storage member **272** can be mounted. The power output port **286** can include an energy storage member connector **283** that is positioned within the energy storage member receiving area **281** to engage the appliance energy storage member **272** when received within the energy storage member receiving area **281**. The connector **283** can electrically connect the appliance energy storage member **272** to the power output circuit **290**. Various types of connectors may be used, including power connectors, USB connectors, magnetic connectors and so on.

In other cases, the appliance **100** may include an electrical cord **288** that is connectable to the output port **286**. The cord **288** may then connect the appliance energy storage member **276** to the output port **286** (as shown in FIGS. 6 and 8C). The output port **286** may define an appliance power outlet to which the cord **288** can be connected.

The charging unit **280** may also be adapted to prevent overcharging of capacitor **276** without any overvoltage protection circuitry. Configuring the power output circuit **280** with the output port **286** in an open circuit charging arrangement can ensure that capacitor **276** stops charging once the voltage level of the onboard energy storage member **292** is reached.

The charging unit **280** may also be adapted to monitor a charge state of the appliance energy storage member **272**. In some embodiments, the charging unit **280** may determine the charge state of the appliance energy storage member **272** without requiring any feedback from the appliance energy storage member **272** or appliance **100**. For instance, the current through power output circuit **290** may be monitored

(e.g. using an ammeter **304** as shown in FIG. **8D**) in order to assess the charge state of the capacitor **272**.

Optionally, the charging unit may also include an output display. The output display may be configured to display a charge state of the appliance energy storage member **272**.

Additionally or alternatively, the output display can be configured to display a charge state of the onboard energy storage member **292**. This allows a user to determine when it is necessary to connect the charging unit **280** to mains power to recharge the onboard energy storage member **292**.

FIG. **9** illustrates another example of a charging unit **1280**. As with charging unit **280**, the charging unit **1280** includes an onboard energy storage member **1292**, charging circuitry **1284**, a power output circuit **1292**, and an electrical input port **1294** and cord **1296**. The charging unit **1280** can be housed within a charging unit body similar to charging unit body **282**.

As shown in FIG. **9**, the charging unit **1280** may include a power output circuit **1290** with multiple power output ports **1286a** and **1286b**. A first power output port **1286a** may be mounted within a receiving area within which the appliance energy storage member **272** can be mounted directly. The second power output port **1286b** may define a power outlet to which an electrical cord can be attached.

The power output circuit **1290** can connect either power output port **1286** to an onboard energy storage member **1292** using switch **1291**. In some cases, the switch **1291** may be actuated automatically in response to detecting an electrical connection at either of the output ports **1286**. For instance, the power output circuit **1290** may include sensors adapted to detect electrical connection to the output ports **1286**. The sensors can be configured to operate switch **1291** to connect the engaged power output circuit **1286** to the power output circuit **1290** and onboard energy storage member **1284**.

Energy storage member **292** can be any device suitable to supply power for fully recharging energy storage member **272** one or several times. For example, energy storage member **292** may include a battery and/or a capacitor that collectively have an energy storage capacity sufficient to recharge energy storage member **272** (or at least capacitor **276**) two or more times (e.g. three or more times, or six or more times).

In some embodiments, the charging unit **280** may be adapted to operate with a portable power appliance such as appliance **100** in which an ultracapacitor provides the appliance energy storage member. The onboard energy storage member **292** may have sufficient power capacity to fully recharge the capacitor **276** of the portable power appliance **100** several times. For example, the charging unit **280** may include a relatively inexpensive, rechargeable energy storage member (e.g. a lead acid, NiCad, NiMH, or lithium) with an energy storage capacity that is several times greater than the capacitor **276** of the portable power appliance **100**.

Alternatively, the appliance energy storage member **272** may include one or more lithium ion batteries. The charging unit **280** may facilitate rapid recharging of the lithium ion batteries. This may allow the portable power appliance to operate using fewer batteries, reducing the overall appliance weight.

The appliance energy storage member **272** may have sufficient energy capacity to power at least motor **212** (or all power consuming parts of portable surface cleaning unit **108**) for at least 3 minutes (e.g. 3, 4, 5, 6, 7, 8, 9, 10, 11, 12, 13, 14 or 15 minutes). For example, an appliance energy storage member **272** with a capacity of at least 5 Wh can provide 100 W of power to a suction motor **212** for at least 3 minutes. As mentioned above, all of the energy storage

may be provided by capacitor **276** in some embodiments. A three-minute runtime may be plenty for short operational sessions, such as to clean crumbs off a couch, to clean dirt around a planter, or to clean cereal spilled by a child for example.

Accordingly, the onboard energy storage member **292** may have a power capacity that is several times greater than appliance energy storage member **271** in order to fully recharge the capacitor **276** of the portable power appliance **100** several times. For example, the onboard energy storage member **292** adapted to charge an energy storage member **272** with a capacity of at least 5 Wh may itself have a capacity of at least 20 Wh (or even greater to allow for losses during charging).

If a task is larger, and requires more runtime than energy storage member **272** can provide, then energy storage member **272** can be quickly recharged. For example, charging unit **280** may be configured to recharge capacitor **276** at a rate of at least 4 C (e.g. at least 6 C, such as 4 C to 10C, or 6 C to 10 C). This can allow capacitor **276** to be fully recharged in a matter of seconds or minutes, as compared with hours in the case of many batteries.

In the example shown, the charging unit **280** is portable. For instance, the charging unit may weigh 1-5 pounds, 1-3 pounds.

Optionally, the charging unit **282** may include a handle on the exterior of the charger body **282**. A user may grasp the handle to lift and carry the charging unit **280**. The charging unit **280** can thus be re-positioned to facilitate charging and/or powering a portable power appliance, as well to facilitate charging of the onboard energy storage member **292**.

Additionally or alternatively, the charging unit **280** may include one or more wheels to facilitate portability of the charging unit. In alternative embodiments, the charging unit **280** may omit a handle and/or wheels but may nonetheless be portable. For instance, a user may carry the charging unit **280** by grasping the exterior of the charger body **282**. In some embodiments, the charging unit **280** may be integrated within the base of a portable power appliance as described herein above.

The charging unit **280** can also include a power input port **294**. The power input port **294** can be detachably attached to a mains power supply, for instance by inserting the power input port **294** into a household power outlet **284** (e.g., it may be a male plug member). The power input port **294** can subsequently be detached from the mains power supply to allow the charging unit **280** to be re-positioned.

The power input port **294** can be coupled to the end of an electrical cord **296**. The electrical cord **296** may extend out from the charger body **282** to allow the charging unit **280** to be removably connected to a mains power supply.

Optionally, the charging unit **280** may include a retractable cord reel operable to wind and hold the cord **296**. The electrical cord **296** can be mounted on the cord reel. The cord reel may be of any suitable configuration and may be a manually actuated reel (for example via a hand crank) or an automated reel.

If the reel is automated (i.e. can wind the cord without manual user intervention), it may be driven by any suitable mechanism including, for example, a spring, a biasing mechanism and/or a motor. The motor used may be an electric motor that can be operated at a speed that is suitable for winding the cord. If the motor is electric, preferably the cord reel is provided with a power source (either on board or as part of the charging unit **280** such as energy storage

member 292) so that the cord reel motor can be powered even after the electrical cord 296 has been unplugged.

Optionally, the charging unit 280 may include a sensor adapted to sense movement of the charging unit 280. The sensor may be operatively connected to the cord reel and the power cord 296 may be unwound from the cord reel based on movement of the charging unit 280. This may prevent the power cord 296 from being accidentally detached from the mains power supply when the charging unit 280 is moved.

In some embodiments, the charging unit 280 may be provided separately from the portable power appliance 100 (see for example FIG. 6). For instance, the portable power appliance 100 may operate using a rechargeable energy storage member 272 that is compatible with charging unit 280. The charging unit 280 may then be used to charge the energy storage member 272 in-situ (see for example FIG. 6) or when removed from portable power appliance (see for example FIG. 5).

In some embodiments, the charging unit 280 and portable power appliance 100 may be provided together as a kit. For instance, the charging unit 280 and charger energy storage member 292 may be provided along with the portable power appliance 100 and appliance energy storage member 272 ensuring compatibility between the charging unit 280 and the appliance energy storage member 272.

Thermal Cooling Unit

The rate at which an energy storage member can be charged, without suffering damage or substantial degradation, is limited by heat generated during charging. When an energy storage member is charged, the generated heat can raise the temperature of the energy storage member to dangerous or damaging levels. In accordance with another aspect, the charging unit and/or a portable appliance or an appliance includes a thermal cooling unit that cools an energy storage member during charging. This can help keep the temperature of the energy storage member within safe limits when the energy storage member is charged rapidly (e.g. at a rate of 4 C or faster). Alternately, or in addition, this can help keep the temperature of the energy storage member within safe limits when the energy storage member is discharged rapidly (e.g. at a rate of 4 C or faster).

The features in this section may be used by itself in any appliance (e.g., surface cleaning apparatus) or in any combination or sub-combination with any other feature or features described herein.

FIGS. 11-13 illustrate various embodiments of the charging circuitry 284 electrically connected to an energy storage member 272 or 292, and a thermal cooling unit 308 thermally connected to one or both of the energy storage members 272, 292 to remove heat generated during recharging and/or discharging, and thereby keep the temperature of the energy storage member 272, 292 within safe limits when the energy storage member is charged or discharged rapidly. It will be appreciated that the arrangements described herein including a thermal cooling unit 308 can be used in combination with energy storage member 272 and/or 292 in any embodiment of charging unit 280 or appliance 100 described elsewhere or illustrated in any figure.

Referring to FIG. 11, in some embodiments, thermal cooling unit 308 may include active cooling. That is, thermal cooling unit 308 may include a powered cooling element 312. An advantage of this design is that the rate of cooling can be controlled by regulating the power supplied to cooling element 312. This may provide better control over the temperature of energy storage member 272, 292. Powered cooling element 312 may be any powered device that can be operated to remove heat from energy storage member

272, 292. For example, powered cooling element 312 may be a fan as shown, a coolant circulating pump, or a Peltier cooler. As shown, the charger circuitry 284 may also include cooling control circuitry configured to control the operation of powered cooling element 312. For example, the charger circuitry 284 may control the speed of fan 312 according to the temperature of energy storage member 272, 292 and/or a heat sink thermally connected to or directly contacting energy storage member 272, 292.

Alternatively or in addition to a powered cooling element 312, thermal cooling unit 308 may include a passive cooling element 316. A passive cooling element 316 may be an unpowered device that is effective for removing heat from energy storage member 272, 292 during charging. FIG. 12 shows an example in which passive cooling element 316 is a heat sink (e.g. metal heat sink, such as an aluminum heat sink). FIG. 13 shows an example in which passive cooling element 316 is a liquid heat sink. The energy storage member may be immersed in the cooling liquid or the cooling liquid may be in a container (housing) and the energy storage member 272, 292 may be in thermal contact (e.g., abutting contact) with the container.

In some embodiments, passive cooling element 316 may be configured to provide an enlarged surface area to promote natural convective cooling with the ambient air. For example, heat sink 316 in FIG. 12 includes a plurality of cooling fins 320 that collectively provide a large surface area for convective cooling of forced convection cooling. In use, energy storage member 272, 292 is positioned in contact with heat sink 316 whereby heat from energy storage member 272, 292 is conducted into heat sink 316, and heat from heat sink 316 is lost by, e.g., convection into the ambient air.

Alternatively or in addition to promoting convective heat loss, passive cooling element 316 may have a heat capacity sufficient to absorb the heat generated by one or several charges of energy storage member 272, 292 and/or discharge of energy storage member 292 (e.g. at least 2 charge cycles, at least 3 charge cycles, or at least 4 charge cycles). For example, passive cooling element 316 may include a volume of material that after absorbing one or several charges of energy storage member 272, 292, maintains the energy storage member 272, 292 below a target temperature. In FIG. 12, heat sink 316 may be composed of a sufficient volume of metal (e.g. aluminum) to achieve this effect. In FIG. 13, thermal cooling unit 308 is shown including a housing 324 that holds energy storage member 272, 292 in thermal contact with a volume of liquid 328 (e.g. mineral oil, or other coolant). The liquid 328 may have sufficient volume to maintain the temperature of energy storage member 272, 292 within safe limits after several charging cycles.

The charging unit 280 may be configured to position the thermal cooling unit 308 to contact one or both of the onboard energy storage member 292 (as shown in FIG. 14) and the appliance energy storage member 272. As shown in FIG. 14, the charging unit 280 may include a thermal cooling unit 3308 adjacent to the output port 3286 so that when appliance energy storage member 272 is inserted for charging the thermal cooling unit can absorb heat from the appliance energy storage member 272. In some embodiments, the charging unit 280 may include a thermal cooling unit 308 positioned to cool both of the appliance energy storage member 272 and the onboard energy storage member 292 concurrently during charging.

Alternately, a separate thermal cooling unit may be provided for energy storage member 272 and for energy storage member 292. For example, as exemplified in FIG. 15, a

thermal cooling unit **4308** is used to cool energy storage member **4292**. In the embodiment of FIG. **15**, the thermal cooling unit **3308** of FIG. **14** may also be provided. It will be appreciated that the thermal cooling units may be the same or different. For example, one or both may be active or passive cooling elements.

The thermal cooling unit **308** may be integrated into the base **287** and/or sidewalls **285** of an appliance energy storage member receiving area **281**. In some cases, the sidewalls **285** of the charging unit body **282** may be adapted to surround part of or to substantially surround the sides of the appliance energy storage member **272** when appliance energy storage member **272** is mounted within the receiving area. Integrating the passive cooling element **316** into the sidewalls **285** may provide an increased surface area to promote heat exchange between the appliance energy storage member **272** and passive cooling element **316**. This may enable the passive cooling element **316** to absorb a greater proportion of the heat emitted from appliance energy storage member **272** during charging thereof.

As noted, additionally or alternatively, the thermal cooling unit **308** (such as a passive cooling element **316**) may be configured to cool the onboard energy storage member **292**. The onboard energy storage member **292** may be mounted within the base **287** of the charging unit **280**. Accordingly, positioning the thermal cooling unit **308** (such as a passive cooling element **316**) within base **287** may encourage cooling of the onboard energy storage member **292**.

In some cases, the thermal cooling unit **308** (such as a passive cooling element **316**) may be positioned within the base **287** between the receiving area **281** and the onboard energy storage member **292**. The thermal cooling element **308** may thus cool both the onboard energy storage member **292** and appliance energy storage member **272** when appliance energy storage member **272** is being charged.

In some embodiments, the thermal cooling unit **308** may include multiple passive cooling elements **316** distributed throughout the charging unit body **282**. For example, a first cooling element may be provided within the base **287** thermally coupled at least to the onboard energy storage member **292** while one or more secondary cooling elements are positioned within the sidewalls **285** to thermally contact an appliance energy storage member **272** positioned within receiving area **281**.

While reference is made herein to cooling elements being positioned within the sidewalls **285** and/or base **287** of the charging unit body **282**, it should be understood that such cooling elements may be positioned within those body components, integrated as part of the body **282**, and/or mounted on interior or exterior surfaces of the body **282**.

After passive cooling element **316** has absorbed the heat generated by one or more charge cycles, passive cooling element **316** will passively cool back to room temperature while charging unit **280** is not in use. Once at room temperature, passive cooling element **316** will again be capable of absorbing heat generated by a number of charge cycles. The passive cooling element **316** may cool between charging cycles (e.g. while the portable appliance is detached and in use) and/or when charging unit **280** is unused for an extended period for instance while in storage. It will be appreciated that active cooling may be used to reduce the time of a passive cooling element **316** to cool.

Portable Charging Unit with Simplified Overcharge Control

Allowing an energy storage member to be overcharged can result in damage and degradation, reducing the usable lifespan of the energy storage member. Accordingly, the charging unit may be adapted to prevent the energy storage

member that is being charged from reaching an overvoltage condition. However, active feedback components that monitor the charge state of an energy storage member increase the size and cost of the charging unit. Accordingly, the charging unit can be configured to prevent an overcharge state through the configuration of the power output circuit thereby protecting the energy storage member while reducing size, complexity and manufacturing costs.

The features in this section may be used by itself in any appliance (e.g., surface cleaning apparatus) or in any combination or sub-combination with any other feature or features described herein.

Referring to FIGS. **8A-8D**, the charging unit **280** can include a power output circuit **290** that is configured to reduce damage to an appliance energy storage member used with charging unit **280**. In particular, the power output circuit **290** can be configured to ensure that the appliance energy storage member is not charged above a pre-defined voltage threshold.

FIG. **8A** illustrates a simplified circuit schematic of the power output circuit **290** with the onboard energy storage member **292** electrically connected to the power output circuit **290**. The power output circuit **290** also has a power output port **286** with output electrodes **300a** and **300b** to which the appliance energy storage member **272** can be connected. As shown, the power output circuit **290** also includes a load component **302** in series between the onboard energy storage member **292** and the output port **286**.

FIG. **8B** illustrates the power output circuit of FIG. **8A** when a capacitive appliance energy storage member **276** is electrically connected to the power output port **286**. The appliance energy storage member **276** is electrically connected to the power output circuit in an open circuit charging configuration. As shown in FIGS. **8C** and **8D**, in some embodiments the appliance energy storage member **276** may be electrically connected to the output port **286** by an electrical cord **288**.

As shown in FIG. **8B**, when the portable power appliance uses an ultracapacitor as the appliance energy storage member, the power output circuit **290** essentially operates as if the ultracapacitor **276** is a capacitor within the circuit. As a result, when the ultracapacitor **276** is depleted, the power output circuit **290** may see an effective short circuit through the ultracapacitor **276**. When the ultracapacitor **276** is charged, the ultracapacitor effectively acts as an open circuit preventing further current flow. As a result, the maximum charge state of the ultracapacitor **276** can be limited by the voltage of the onboard energy storage member **292** that is connected to the power output circuit **290**. This ultracapacitor charging configuration ensures that a pre-defined maximum charge state for the appliance energy storage member **276** can be set based on the onboard energy storage member integrated into charging unit **280**. The charge endpoint for the appliance energy storage member **272** is thus defined without requiring any feedback from appliance energy storage member **272** or active control components. That is, active control and monitoring of the charge state of the appliance energy storage member **272** is not required to prevent overcharging of the ultracapacitor **276**.

This configuration may simplify the control and manufacturing of the charging unit **280**. For instance, charging unit **280** may omit any specific overvoltage protection circuitry for the appliance energy storage member **272**.

As noted above, when the capacitor **276** is connected to power output circuit **280** in a depleted state, the power output circuit **280** may be effectively short-circuited. How-

ever, load component **302** can reduce the initial inrush current through capacitor **276**. The load component **302** may be configured as a resistive or inductive load (e.g., a resistor) to ensure that the initial inrush current is minimized. This can avoid any potential damage to the capacitor that might otherwise occur due to high currents.

Optionally, the charging unit **280** may include an output display. In some embodiments, the output display can be configured to display the charge state of the onboard energy storage member **292**. Additionally or alternatively, the output display can be configured to display a charge state of the appliance energy storage member **272** when the appliance energy storage member **272** is electrically connected to the power output circuit **290**.

The charging circuitry **284** may include a control circuit that is operable to determine the charge state of one or both of the onboard energy storage member **292** and the appliance energy storage member **272**. For instance, the charge state of the onboard energy storage member **292** may be determined by monitoring the voltage level of the onboard energy storage member **292**.

The control circuitry may be configured to measure a current flow level through power output circuit **290**. For example, as shown in FIG. **8D**, an ammeter **304** may be positioned in the power output circuit in series with the output port **286**. The ammeter **304** can be used to measure the flow of current through the appliance energy storage member **272** when the appliance energy storage member **272** is electrically connected to the appliance electrical port **286**. As the charge state of the capacitor **276** increases, the resistance experienced by the power output circuit **290** will increase, and the current will correspondingly decrease. By monitoring the current through power output circuit **290**, the control circuitry can determine a relative charge state of the capacitor **276**. This may provide a simplified charge monitoring configuration that does not require any communication with, or feedback from, the appliance energy storage member **272**.

Charging Unit Configured to Directly Power Appliance

In some embodiments, an appliance charging unit may be configured to power a portable power appliance directly, i.e., concurrently while charging the appliance energy storage member and/or the onboard energy storage member, or while not charging the appliance energy storage member and the onboard energy storage member. This may allow the charging unit to operate as a mobile power supply for the portable power appliance that has greater capacity than the appliance energy storage members. This may provide a longer operational runtime for the portable power appliance, even when away from a stationary power supply.

The features in this section may be used by itself in any appliance (e.g., surface cleaning apparatus) or in any combination or sub-combination with any other feature or features described herein.

In some embodiments, the charging units **280** and **1280** described herein above may be configured to power a portable power appliance directly, in addition to charging an appliance energy storage member and/or an onboard energy storage member.

For example, in a first mode of operation, the charging unit **280** itself can be configured to power a motor **212** directly using power from the onboard energy storage member **292**. This may be desirable where the portable power appliance is being used in the proximity of the charging unit **280**. This may also provide a longer operational runtime, as the onboard energy storage member **292** may have a greater storage capacity than appliance energy storage member **272**.

In some embodiments, in a second mode of operation, the charging unit **280** may charge the appliance energy storage member **272** using power from the onboard energy storage member **292**.

It will be appreciated that, in a further mode of operation, the charging unit **280** may charge the appliance energy storage member **272** while also powering the motor **212**. This may occur where the discharge capacity of the onboard energy storage member **292** is greater than the power required to operate motor **212**.

In some cases, the charging unit **280** may be preferred to operating from mains power directly, as the onboard energy storage member **292** can provide power to the portable power appliance **100** using DC current, obviating the need for separate power conversion circuitry in the appliance **100**. In some cases, when the charging unit **280** is connected to mains power, the mains power may be used to charge the onboard energy storage member **292**, optionally while the onboard energy storage member **292** powers the portable power appliance. When disconnected from the mains power supply, the charging unit **280** can continue to power the portable appliance directly, using power stored in onboard energy storage member **292**.

In some embodiments, a user may manually select between the first mode of operation and the second mode of operation. For example, a user may toggle a switch on the portable power appliance and/or charging unit **280** to select whether the first mode of operation or second mode of operation is engaged.

In some embodiments, the charging unit may be configured to automatically select the first mode of operation or second mode of operation. For example, charging unit **1280** shown in FIG. **9** may provide separate electrical output ports **1286a** and **1286b** for charging the appliance energy storage member **272** and for powering the appliance **100** directly. The charging unit **2280** may detect which of the output ports **1286** has been engaged, and select the operational mode based on the connector that is detected.

In some embodiments, the appliance can include an appliance electrical cord. The appliance electrical cord may be separately connectable with each of the output ports **1286a** and **1286b**. The control circuitry **1284** may then select the operational mode based on the port to which the cord is connected.

In some embodiments, one of the power output ports of the charging unit **280** can define a storage member power output port **1286a**. The appliance energy storage member **272** may be directly engageable with the storage member power output port **1286a**. When the appliance storage member **272** is engaged with the storage member power output port **1286a**, the charging unit **280** can operate in the second mode of operation to charge the appliance storage member **272**.

Reference is now made to FIGS. **10A** and **10B**. FIGS. **10A** and **10B** illustrate further examples of charging unit **2280** that can be configured to power a portable power appliance, such as appliance **100**, directly. The charging unit **2280** are examples of charging unit in which power from a mains power supply can be directed to the appliance **100** (or appliance energy storage member **272**), when the charging unit **2280** is connected to the power supply.

As with charging units **280** and **1280**, the charging units **2280A** and **2280B** include an onboard energy storage member **2292**, control and charging circuitry **2284**, power output circuit **2290**, and at least one output port **2286**. The charging units **2280** also include an electrical cord **2296** and power input port **2294** that is electrically connectable to a station-

ary power supply such as mains power. The charging unit **2280** can be housed within a charging unit body similar to charging unit body **282**.

In the example shown in FIG. **10A**, the charging unit **2280A** includes two separate electrical output ports **2286a** and **2286b**. The first output port **2286a** is usable to connect the appliance energy storage member **272** to the onboard energy storage member **2292** (be it directly, using an electrical cord, or both). When the appliance energy storage member **272** is connected to output port **2286a** while in situ in portable power appliance, the charging unit **2280a** can discharge power from the onboard energy storage member **2292** to the portable power appliance.

In this configuration, the charging unit **2280A** can be configured to operate in multiple modes of operation. For example, in a first mode of operation, the charging unit **2280** can be configured to power the motor **212** directly using power from the onboard energy storage member **2292**. This may be desirable where the portable power appliance is being used in the proximity of the charging unit **2280A**. This may also provide a longer operational runtime, as the onboard energy storage member **2292** may have a greater storage capacity than appliance energy storage member **272**. In some embodiments, the charging unit **2280** may also charge the appliance energy storage member **272** while powering the motor **212**.

In some cases, the charging unit **2280A** may be preferred to operating from mains power directly, as the onboard energy storage member **2292** can provide power to the portable power appliance **100** using DC current, obviating the need for separate power conversion circuitry in the appliance **100**. In some cases, when the charging unit **2280A** is connected to mains power, the mains power may be used to charge the onboard energy storage member **2292**, while the onboard energy storage member **2292** powers the portable power appliance. When disconnected from the mains power supply, the charging unit **2280** can be configured to power the portable appliance directly, using the power stored in onboard energy storage member **2292**.

In a second mode of operation, the charging unit **2280** can be configured to charge the appliance energy storage member **272** using power from the onboard energy storage member **2292**.

In some embodiments, a user may manually select between the first mode of operation and the second mode of operation. For example, a user may toggle a switch on the portable power appliance and/or charging unit **2280** to select whether the first mode or operation or second mode of operation is engaged.

In some embodiments, the charging unit **2280A** may also be configured to operate in a third mode of operation in which power from the mains power supply is used to power the portable power appliance. For example, when the appliance charging unit is electrically connected to the mains power supply, the power output circuit **2290** may be configured to direct power from the mains power supply to the portable power appliance **100**.

In the example shown in FIG. **10A**, the charging unit **2280A** includes a separate output port **2286b** into which the portable power appliance **100** can be connected to allow mains power to be directed to the portable power appliance **100**.

In some embodiments, the charging unit **2280A** may provide power from the stationary power supply directly to the portable power appliance **100**. However, the portable power appliance **100** may typically operate using direct current, while the mains supply is provided as alternating

current. In some cases, the appliance **100** may incorporate power conversion circuitry. However, this increases the size and weight of appliance **100**. Accordingly, the charging unit **2280A** can be configured to operate as a power conversion unit for appliance **100**.

The charging unit **2280A** can receive the mains power supply from power input **2294**. This alternating current can then be rectified (and possibly voltage regulated) using control circuitry **2284** to provide the appliance **100** with direct current via output port **2286b**. This allows the appliance **100** to use mains power for a longer operational runtime, without requiring additional power conversion circuitry.

FIG. **10B** illustrates an alternative configuration of a charging unit **2280b** that can operate in multiple operational modes. Charging unit **2280b** is similar to charging unit **2280a**, except that a single output port **2286c** is usable to power the appliance **100** using mains power or power from the onboard energy storage member **2292**.

As shown in FIG. **10B**, the power output circuit **2290a** includes a switch unit **2291**. The switch unit is operable to select whether the output port **2286c** is connected to onboard energy storage member **2292** or to control circuitry **2284**. In some embodiments, the switch unit **2291** may operate automatically e.g. depending on whether charging unit **2280b** is connected to a stationary power source. Alternatively, the charging unit **2280b** may include a switch actuator that a user can manual operate to switch between mains power and the onboard energy storage member **292**.

The charging unit **2280b** can be configured to operate in a number of different operational modes. In a first mode of operation, the charging unit **2280** can be configured to power the motor **212** directly using power from the onboard energy storage member **2292**. In some embodiments, the charging unit **2280b** may be operable in this first mode of operation when connected to, and when disconnected from, a stationary power supply.

In a second mode of operation, the charging unit **2280b** can be configured to charge the appliance energy storage member **272** using power from the onboard energy storage member **2292**. Again, this mode of operation may be engaged when charging unit **2280b** is connected to, and when disconnected from, a stationary power supply. In some cases, toggling between the first mode of operation and the second mode of operation may occur in response to a user activating or deactivating the appliance **100**.

In a third mode of operation, when charging unit **2280b** is connected to a stationary power supply, the charging unit **2280b** can be configured to use power from the stationary power supply to power the appliance **100** directly. As noted above, the charging circuitry **2284** may include power conversion circuitry usable to convert the received power into DC power usable by the appliance **100**.

In a fourth mode of operation, when charging unit **2280b** is connected to a stationary power supply, the charging unit **2280b** can be configured to use power from the stationary power supply to charge the appliance energy storage member **272**. In such embodiments, the charging circuitry **2284** may again include power conversion circuitry usable to convert the received power into DC power usable to charge the appliance energy storage member **272**. In some cases, toggling between the third mode of operation and the fourth mode of operation may occur in response to a user activating or deactivating the appliance **100**.

In some cases, the charging unit **2280b** may also charge the onboard energy storage member **2292** concurrently while operating in the third or fourth mode of operation. The

charging circuitry **2284** can be configured to route any additional power from the stationary power supply to charge the onboard energy storage member **2292**.

Although embodiments of a charging unit and associated portable power appliance are described herein below in the context of a portable surface cleaning apparatus, it should be understood that various other portable appliances may be used in the embodiments described herein.

An example of a portable power appliance having an appliance energy storage member may include an electronic cigarette that is connectable to a charging unit such as described herein above. Such a charging unit may be electrically connected to a stationary power supply such as mains power and/or a vehicle electrical outlet.

Further examples of portable power appliance also include various power tools such as drills, drivers, tire inflators, dremels and the like.

A battery pack usable with one or more power appliances may incorporate an appliance energy storage member as described herein above. A battery pack for electronic appliances, such as laptops or cell phones may also be configured as described herein above. Similarly, appliance energy storage members for children's toys, portable electronics (such as radios, testing requirement and meters), and game console controllers may also be used.

Various kitchen appliances such as mixers, electric peelers, electric knives, rotary pot or pan scrubbers, temperature controlled containers (e.g. lunchboxes) may also be used in embodiments described herein.

Various portable culinary appliances may also be used, such as portable hot water systems, heated food containers, "Low Charcoal Use" BBQs, portable cooking ovens or stoves and the like.

Various personal portable power appliances may also be used in embodiments described herein to facilitate rapid recharging, such as flashlights, personal fans, coolers (e.g. direct or indirect evaporative coolers), space heaters, shavers, curling irons, hair dryers, sexual toys and/or aids and so on.

As used herein, the wording "and/or" is intended to represent an inclusive—or. That is, "X and/or Y" is intended to mean X or Y or both, for example. As a further example, "X, Y, and/or Z" is intended to mean X or Y or Z or any combination thereof.

While the above description describes features of example embodiments, it will be appreciated that some features and/or functions of the described embodiments are susceptible to modification without departing from the spirit and principles of operation of the described embodiments. For example, the various characteristics which are described by means of the represented embodiments or examples may be selectively combined with each other. Accordingly, what has been described above is intended to be illustrative of the claimed concept and non-limiting. It will be understood by persons skilled in the art that other variants and modifications may be made without departing from the scope of the invention as defined in the claims appended hereto. The scope of the claims should not be limited by the preferred embodiments and examples, but should be given the broadest interpretation consistent with the description as a whole.

The invention claimed is:

1. A portable charging unit electrically connectable to a mains power supply, the portable charging unit comprising:

- (a) a hand carryable battery charger body;
- (b) an onboard energy storage member; and,
- (c) a power output circuit, which in operation, is electrically connected to the onboard energy storage member,

wherein an ultracapacitor for a portable power appliance is removably electrically connectable to the portable charging unit, and

in an onboard energy storage member charging mode, the portable charging unit is electrically connected to the mains power supply, and the portable charging unit is operable to charge the onboard energy storage member using power from the mains power supply; and,

in an ultracapacitor charging mode, the onboard energy storage member is electrically connected to the power output circuit and the ultracapacitor is also electrically connected to the power output circuit, whereby the portable charging unit is operable to charge the ultracapacitor by discharging stored energy from the onboard energy storage member;

wherein the ultracapacitor and the portable power appliance are separate from the portable charging unit.

2. The charging unit of claim **1**, wherein the onboard energy storage member comprises a lead acid battery.

3. The charging unit of claim **1**, wherein the power output circuit omits any overvoltage protection circuitry.

4. The charging unit of claim **1**, further comprising an output display operable to display a charge state of the onboard energy storage member.

5. The charging unit of claim **1**, further comprising an output display operable to display a charge state of the ultracapacitor when the ultracapacitor is electrically connected to the power output circuit.

6. The charging unit of claim **1**, wherein in the ultracapacitor charging mode, the ultracapacitor is recharged at a rate of at least **4C**.

7. The charging unit of claim **1**, further comprising a thermal cooling unit wherein, in the onboard energy storage member charging mode, the thermal cooling unit is thermally connected to the energy storage member.

8. The charging unit of claim **7**, wherein, in the onboard energy storage member charging mode, the thermal cooling unit is directly thermally connected to the energy storage member.

9. The charging unit of claim **7**, wherein in the ultracapacitor charging mode, the ultracapacitor is recharged at a rate of at least **4C**.

10. The charging unit of claim **1**, further comprising a thermal cooling unit;

wherein in the ultracapacitor charging mode, the thermal cooling unit is thermally connected to the ultracapacitor.

11. The charging unit of claim **10**, wherein in the ultracapacitor charging mode, the ultracapacitor is recharged at a rate of at least **4C**.

12. The charging unit of claim **1**, further comprising an electrical cord removably connectable with the mains power supply.

13. The charging unit of claim **1**, wherein the portable power appliance comprises one of a power tool, a landscaping tool, a vacuum cleaner, and a kitchen appliance.

14. A portable charging unit electrically connectable to a mains power supply, the portable charging unit comprising:

- (a) a hand carryable battery charger body;
- (b) an onboard energy storage member;
- (c) a power output circuit, which in operation is electrically connected to the onboard energy storage member; and,
- (d) a thermal cooling unit which in operation is thermally connected to at least one of the onboard energy storage member and an appliance energy storage member for a portable power appliance, wherein the thermal cooling

29

unit is operable to cool the appliance energy storage member when the thermal cooling unit is thermally connected to the appliance energy storage member; wherein

the appliance energy storage member is removably electrically connectable to the portable charging unit; in an onboard energy storage member charging mode, the portable charging unit is electrically connected to the mains power supply and, the battery charger is operable to charge the onboard energy storage member using power from the mains power supply; and

in an appliance energy storage member charging mode, the onboard energy storage member is electrically connected to the power output circuit and the appliance energy storage member is also electrically connected to the power output circuit, whereby the charging unit is operable to charge the appliance energy storage member by discharging stored energy from the onboard energy storage member to the appliance energy storage member.

15. The charging unit of claim 14, wherein the onboard energy storage member comprises a lead acid battery.

16. The charging unit of claim 14, wherein the appliance energy storage member comprises a lithium ion battery.

17. The charging unit of claim 14, wherein the appliance energy storage member comprises an ultracapacitor.

18. The charging unit of claim 14, wherein in the appliance energy storage member charging mode, the thermal cooling unit is thermally connected to the appliance energy storage member.

19. The charging unit of claim 14, wherein in an appliance energy storage member charging mode, the appliance energy storage member is recharged at a rate of at least 4C.

20. A kit comprising:

- (a) a portable power appliance comprising a motor and an appliance energy storage member electrically connectable to the motor;
- (b) a hand carryable battery charger electrically connectable to a mains power supply, the hand carryable battery charger comprising:
 - i) an onboard energy storage member electrically connectable to the battery charger; and,
 - ii) a power output circuit having an appliance electrical port that is electrically connectable to the appliance energy storage member;

wherein in an onboard energy storage member charging mode, the battery charger is electrically connected to the mains power supply, the battery charger is operable to charge

30

the onboard energy storage member using power from the mains power supply; and,

when in the appliance energy storage charging mode, the appliance energy storage member is electrically connected to the appliance electrical port and the appliance energy storage member is also electrically connected to the power output circuit, whereby the battery charger is operable to charge the appliance energy storage member by discharging stored energy from the onboard energy storage member to the appliance energy storage member.

21. The kit of claim 20, wherein the onboard energy storage member comprises a lead acid battery.

22. The kit of claim 20, wherein the appliance energy storage member comprises a lithium ion battery.

23. The kit of claim 20, wherein the appliance energy storage member comprises an ultracapacitor.

24. The kit of claim 20, wherein in the appliance energy storage charging mode, the appliance energy storage member is recharged at a rate of at least 4C.

25. The kit of claim 20, wherein:

- (a) the portable power appliance comprises an appliance electrical cord having a first end that is electrically connectable to the appliance energy storage member and a second end; and,
- (b) the appliance electrical port defines an appliance power outlet that is electrically connectable to the second end of the appliance electrical cord, whereby when the onboard energy storage member is electrically connected to the battery charger and the appliance energy storage member is electrically connected to the appliance electrical port, power from the onboard energy storage member is provided to the appliance energy storage member via the appliance electrical cord.

26. The kit of claim 20, wherein:

- (a) the portable power appliance comprises a main body;
- (b) the motor is provided within the main body;
- (c) the appliance energy storage member is removable from the main body; and,
- (d) the appliance energy storage member is directly mountable to the appliance electrical port.

27. The kit of claim 20, wherein the portable power appliance comprises one of a power tool, a landscaping tool, a vacuum cleaner, and a kitchen appliance.

* * * * *