

US011060752B2

(12) **United States Patent**  
**Conrad**

(10) **Patent No.:** **US 11,060,752 B2**  
(45) **Date of Patent:** **Jul. 13, 2021**

(54) **HEAT TRANSFER SYSTEM AND ENVIRONMENTAL CONTROL SYSTEM WITH HEAT TRANSFER SYSTEM**

(2013.01); *G05B 15/02* (2013.01); *F24F 2003/0446* (2013.01); *F24F 2011/0002* (2013.01); *F24F 2110/10* (2018.01); *F24F 2110/12* (2018.01); *G05B 2219/2614* (2013.01)

(71) Applicant: **Omachron Intellectual Property Inc., Hampton (CA)**

(58) **Field of Classification Search**

CPC ..... *F24F 11/871*  
USPC ..... *700/276*  
See application file for complete search history.

(72) Inventor: **Wayne Ernest Conrad, Hampton (CA)**

(73) Assignee: **Omachron Intellectual Property Inc., Hampton (CA)**

(56) **References Cited**

U.S. PATENT DOCUMENTS

(\*) Notice: Subject to any disclaimer, the term of this patent is extended or adjusted under 35 U.S.C. 154(b) by 0 days.

4,676,144 A 6/1987 Smith  
5,772,501 A \* 6/1998 Merry ..... *F24F 11/70*  
454/256

(21) Appl. No.: **16/525,210**

(Continued)

(22) Filed: **Jul. 29, 2019**

OTHER PUBLICATIONS

(65) **Prior Publication Data**

US 2020/0041162 A1 Feb. 6, 2020

Dictionary.com, definition of "thermostat". (Year: 2020).\*

(Continued)

(30) **Foreign Application Priority Data**

Aug. 1, 2018 (CA) ..... CA 3013005

*Primary Examiner* — Hien D Khuu

(74) *Attorney, Agent, or Firm* — Philip C. Mendes da Costa; Bereskin & Parr LLP/S.E.N.C.R.L., s.r.l.

(51) **Int. Cl.**

*F24F 11/871* (2018.01)  
*F24F 3/06* (2006.01)  
*F24F 5/00* (2006.01)  
*F24F 13/30* (2006.01)  
*F24F 11/46* (2018.01)  
*F24F 3/044* (2006.01)  
*G05B 15/02* (2006.01)  
*F24F 11/00* (2018.01)  
*F24F 110/12* (2018.01)  
*F24F 110/10* (2018.01)

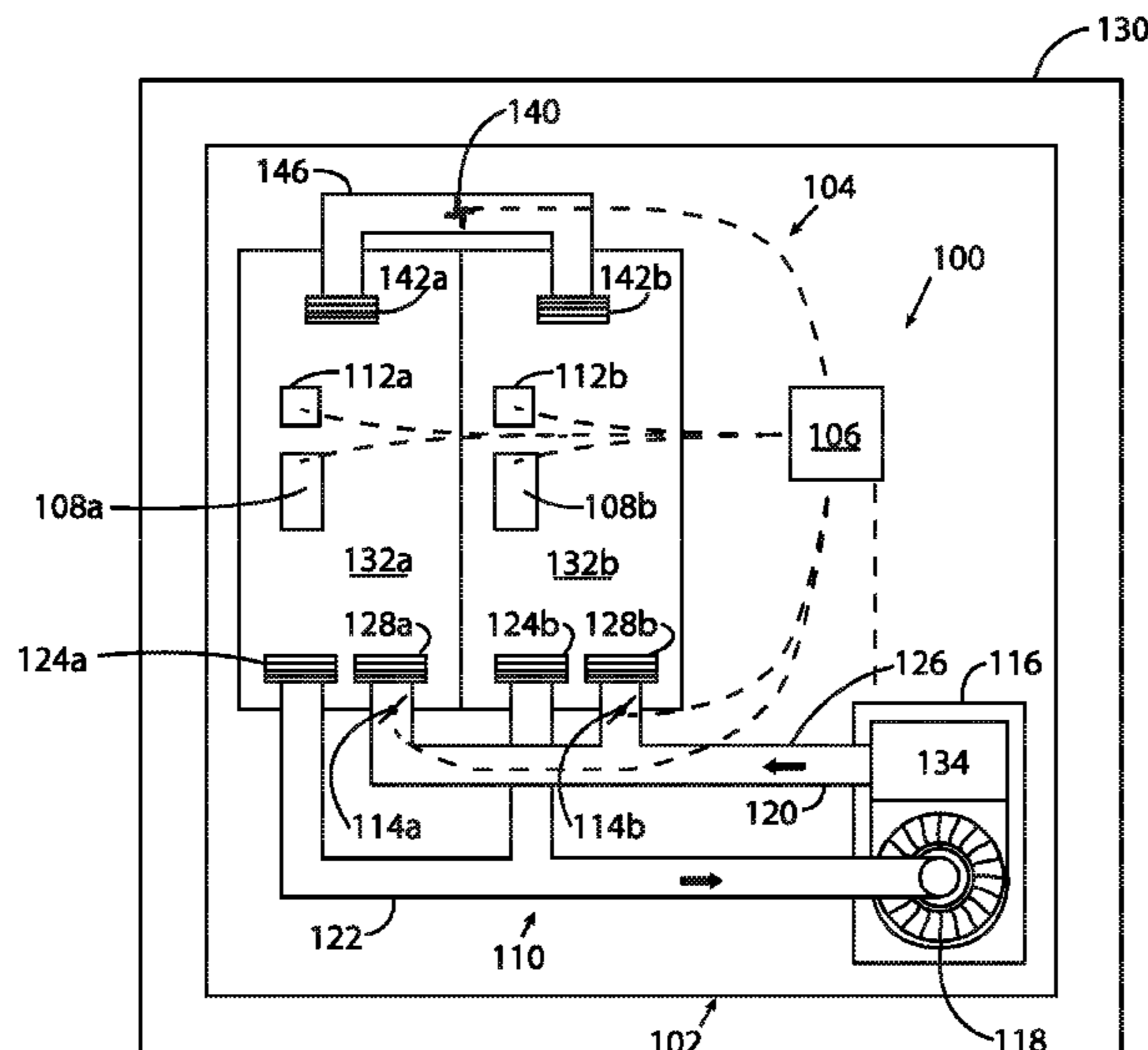
(57) **ABSTRACT**

Various embodiments are described herein for an environmental control system. In one example embodiment, the system is an HVAC system including an HRV or ERV unit, a first distribution system, and an ambient energy distribution system. The first distribution system has a first end in thermal communication with the HRV or ERV unit and a second end in thermal communication with the interior of a domicile. The ambient energy distribution system extends between first and second locations in the domicile and is isolated from fluid flow communication with the first distribution system. The ambient energy distribution system transfers heat between the first and second locations.

(52) **U.S. Cl.**

CPC ..... *F24F 11/871* (2018.01); *F24F 3/044* (2013.01); *F24F 3/06* (2013.01); *F24F 5/0046* (2013.01); *F24F 11/46* (2018.01); *F24F 13/30*

**21 Claims, 11 Drawing Sheets**



(56)

**References Cited**

U.S. PATENT DOCUMENTS

5,858,041	A	1/1999	Luetkemeyer	
8,442,694	B2 *	5/2013	Jang .....	F24F 12/006 700/276
2001/0025349	A1	9/2001	Sharood et al.	
2004/0137836	A1	7/2004	Bjordal	
2004/0147217	A1	7/2004	Peterson et al.	
2010/0323604	A1 *	12/2010	Duffe .....	F24F 7/065 454/258
2012/0022702	A1 *	1/2012	Jang .....	F24F 11/62 700/277

OTHER PUBLICATIONS

International Search Report and Written Opinion, received in connection to co-pending international patent application No. PCT/CA2019/051033, dated Sep. 20, 2019.

\* cited by examiner

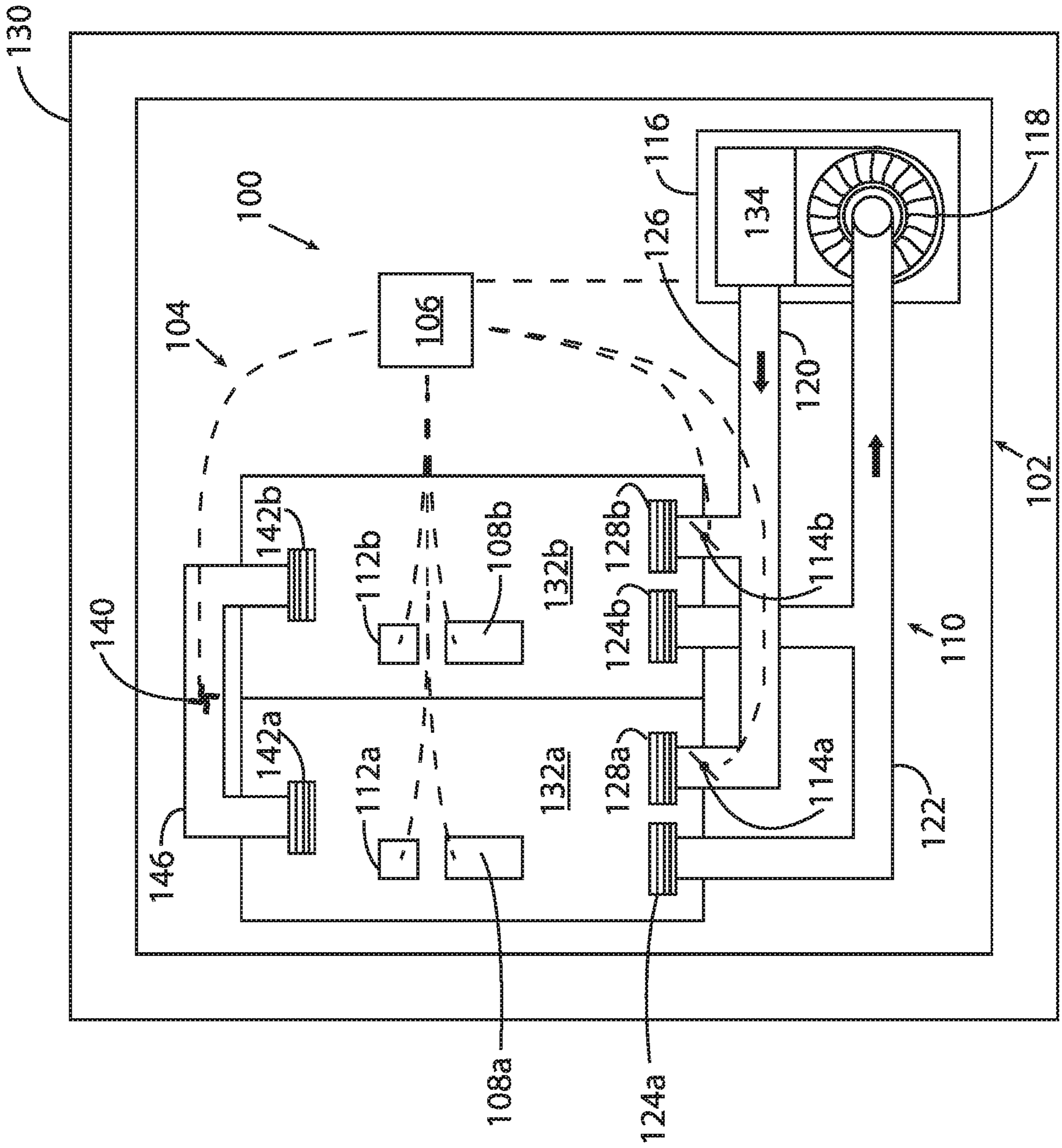


Figure 1

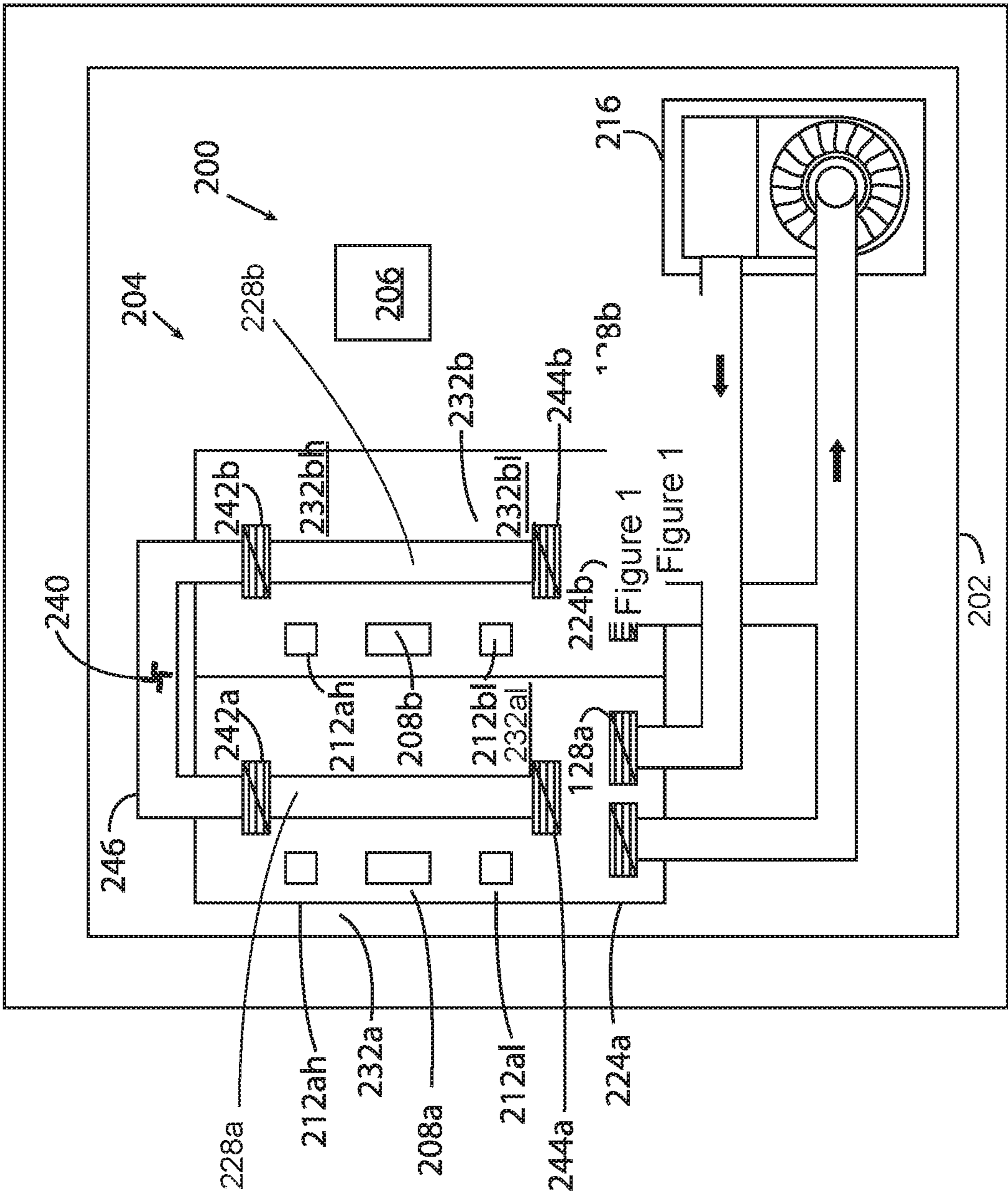


Figure 2

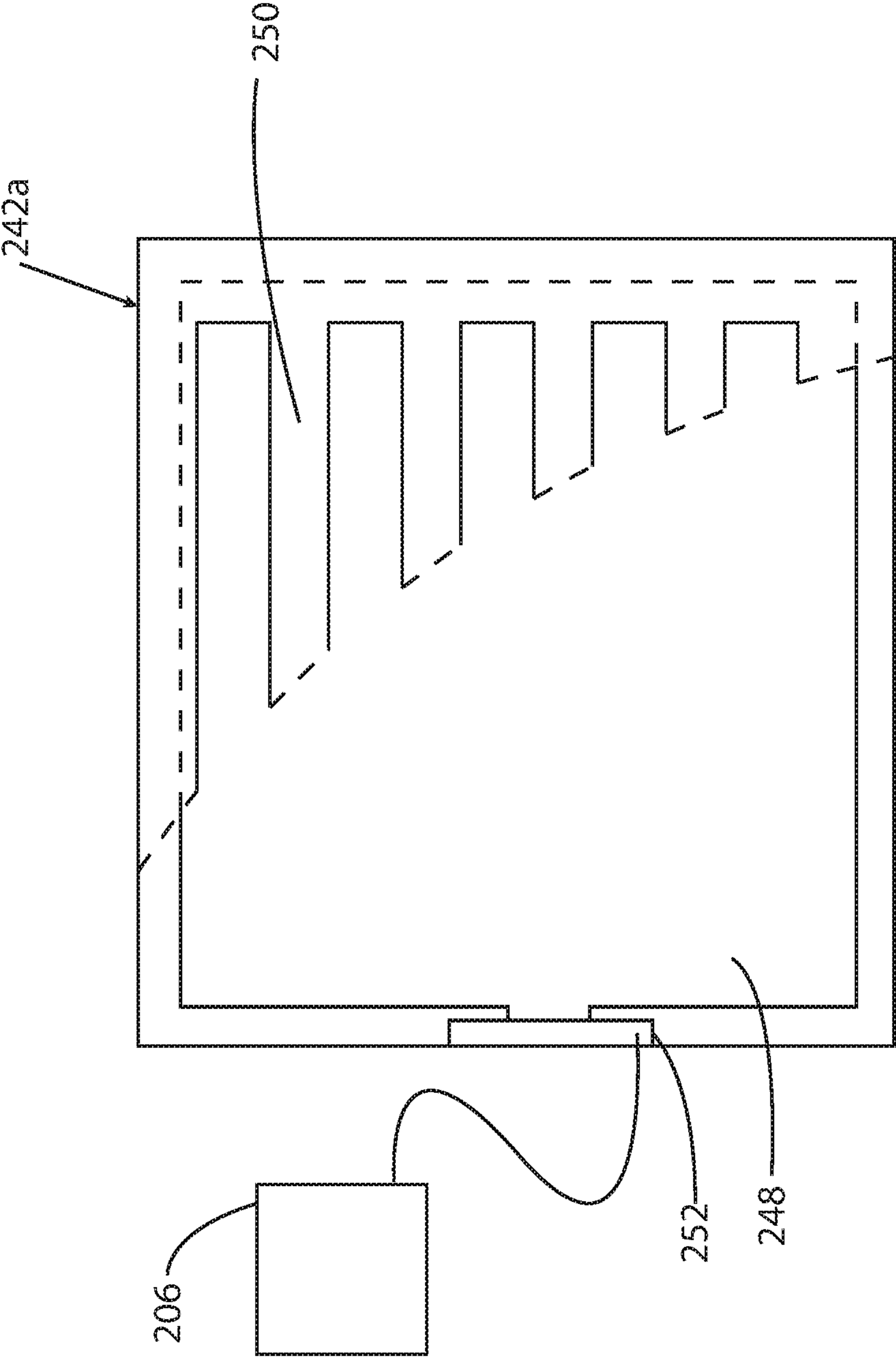


Figure 3a

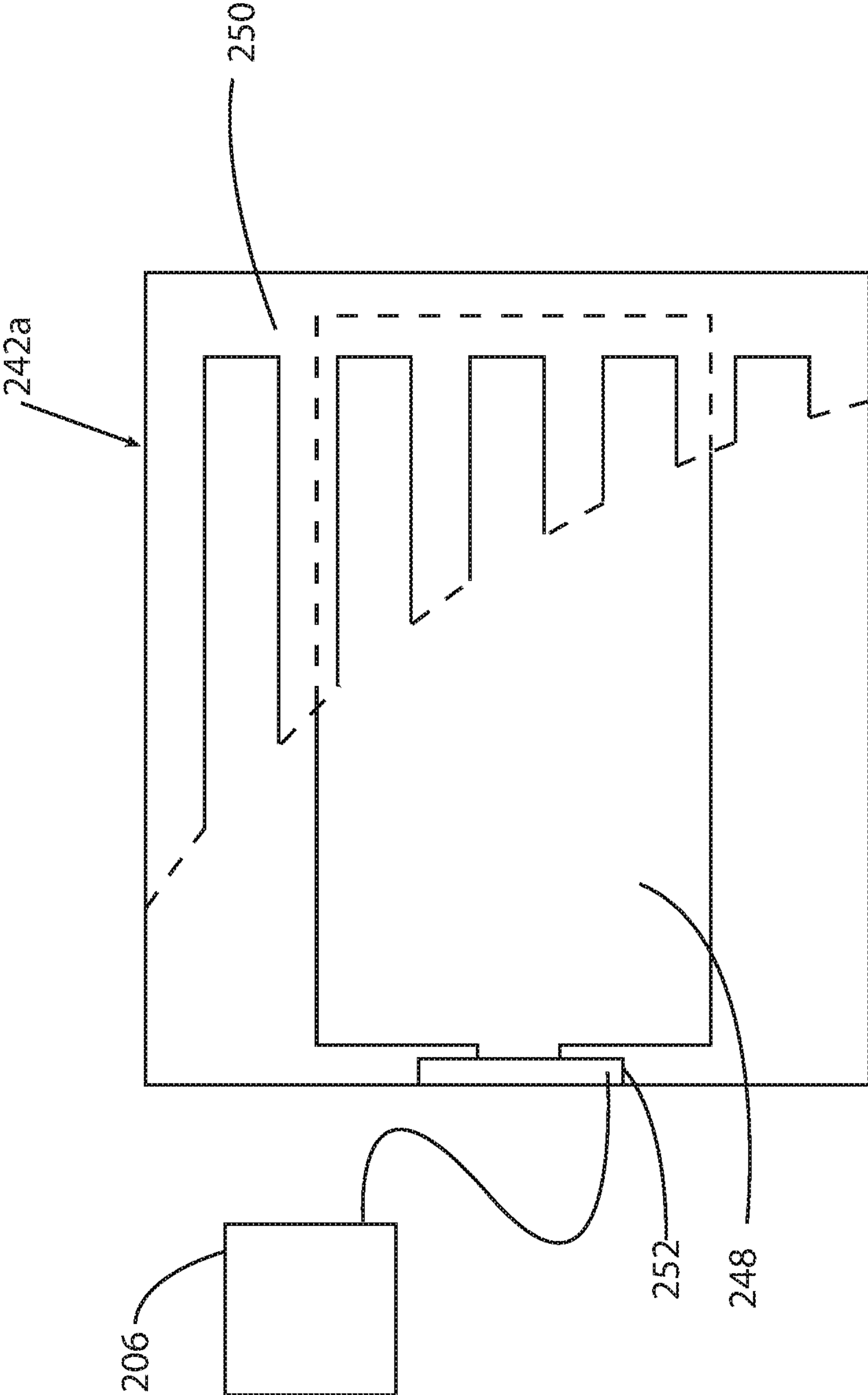


Figure 3b

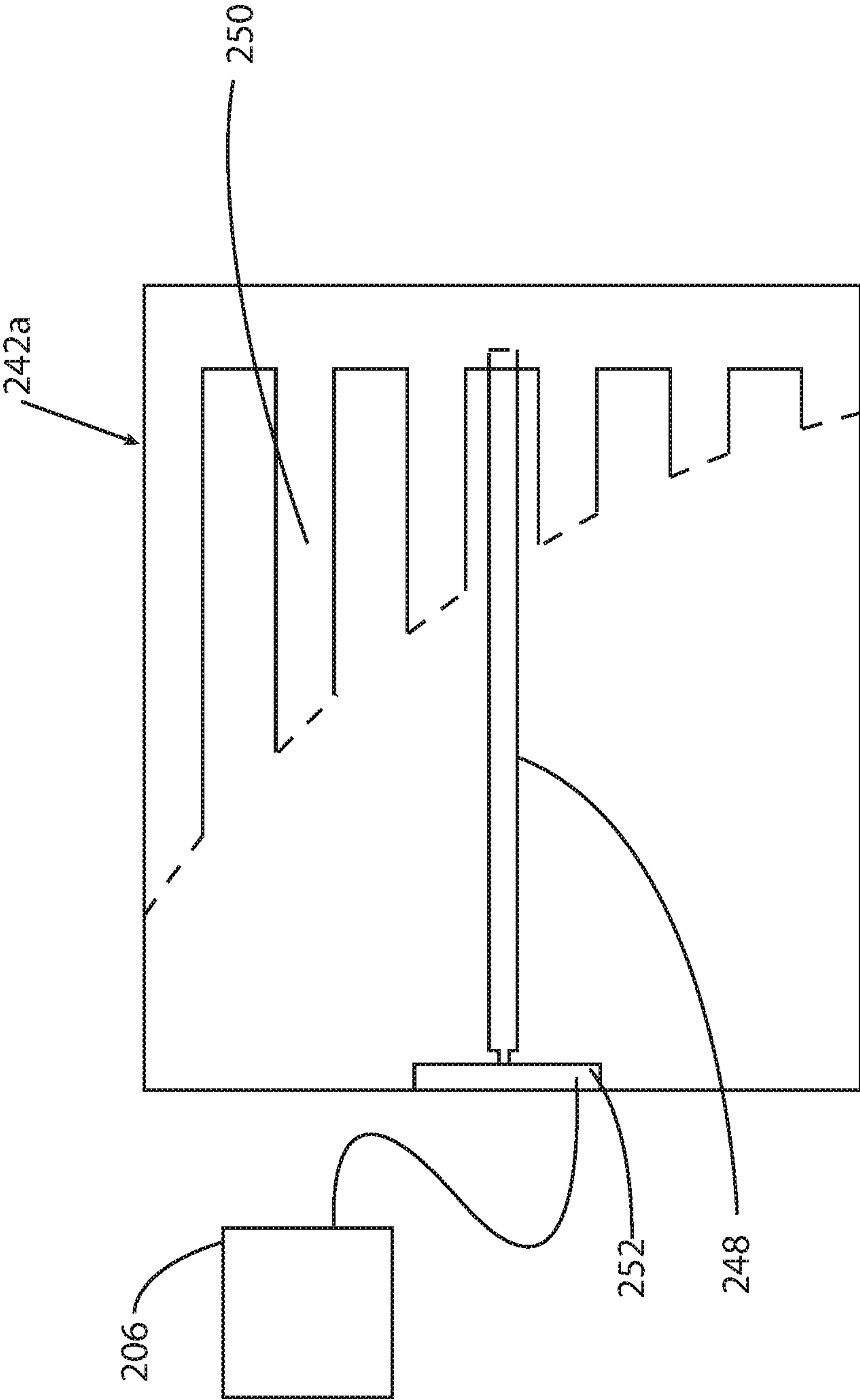


Figure 3c

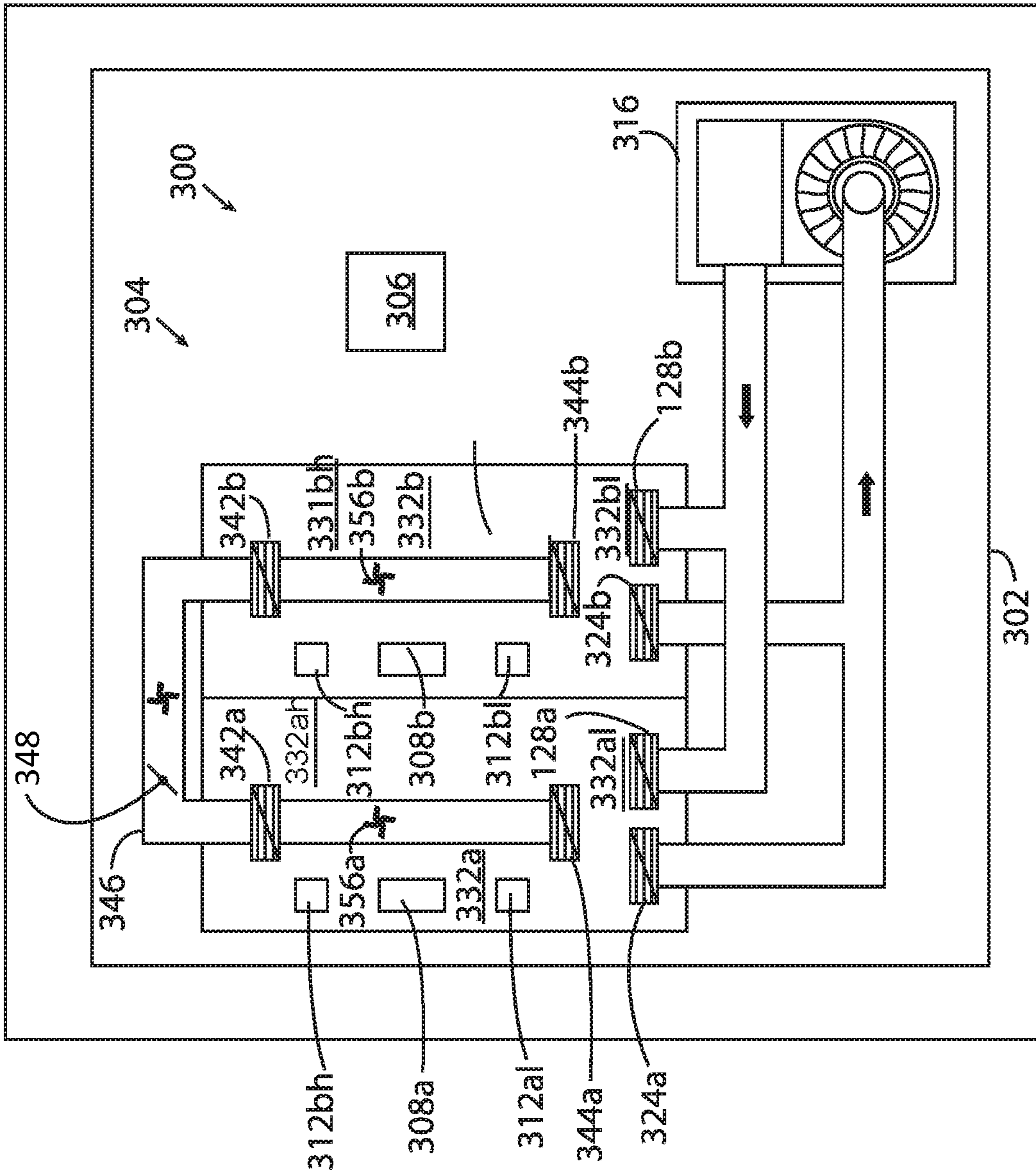


Figure 4



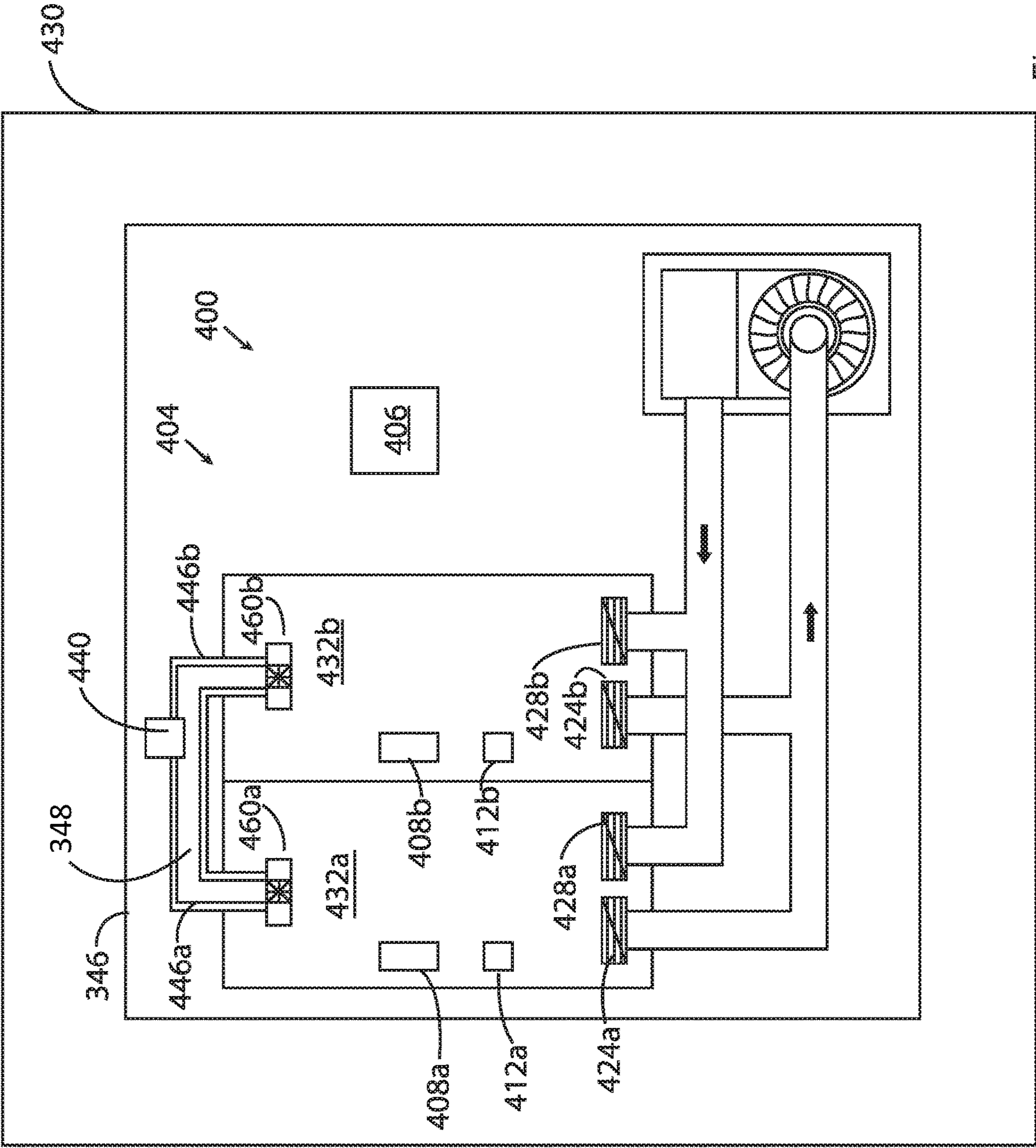


Figure 5

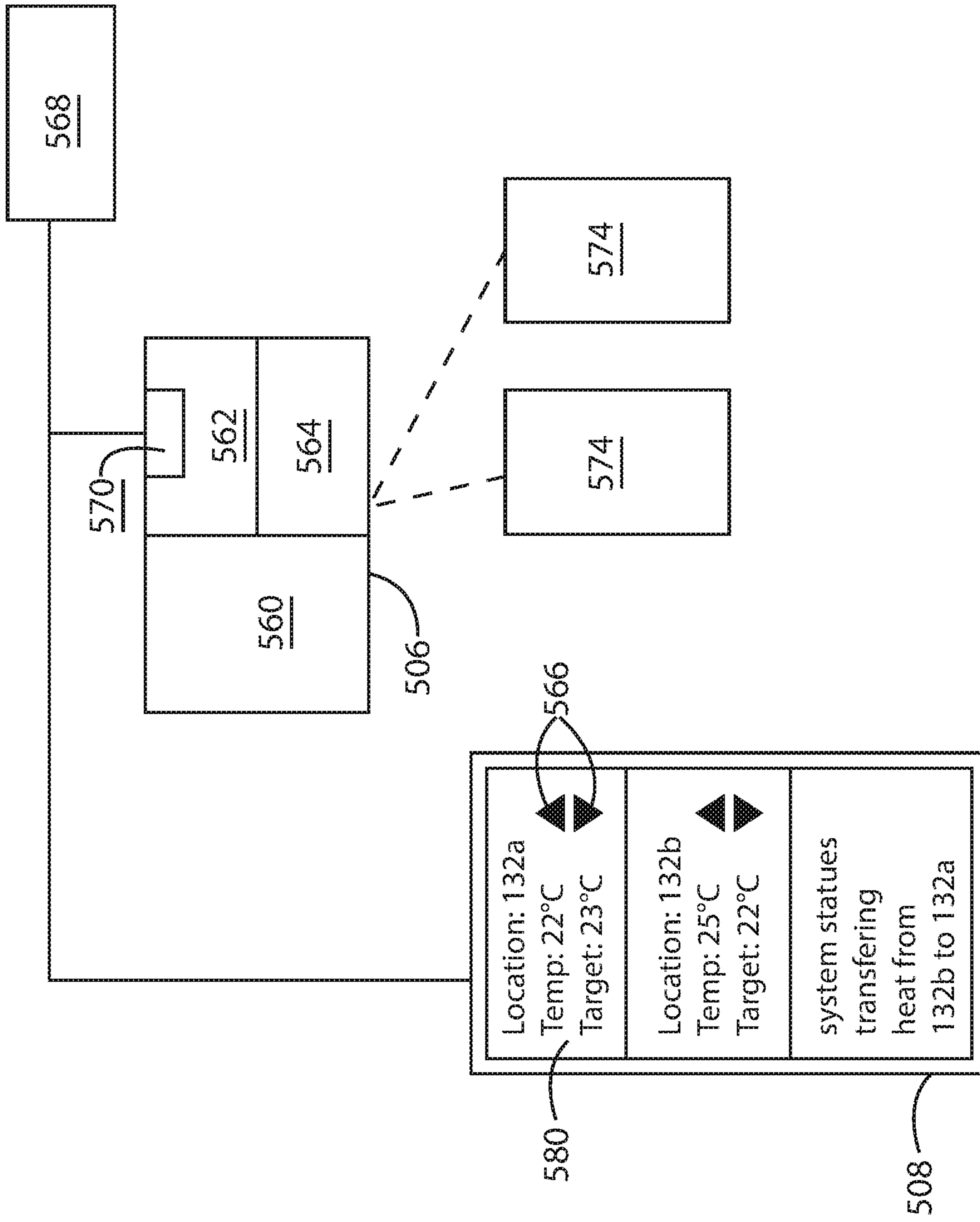


Figure 6

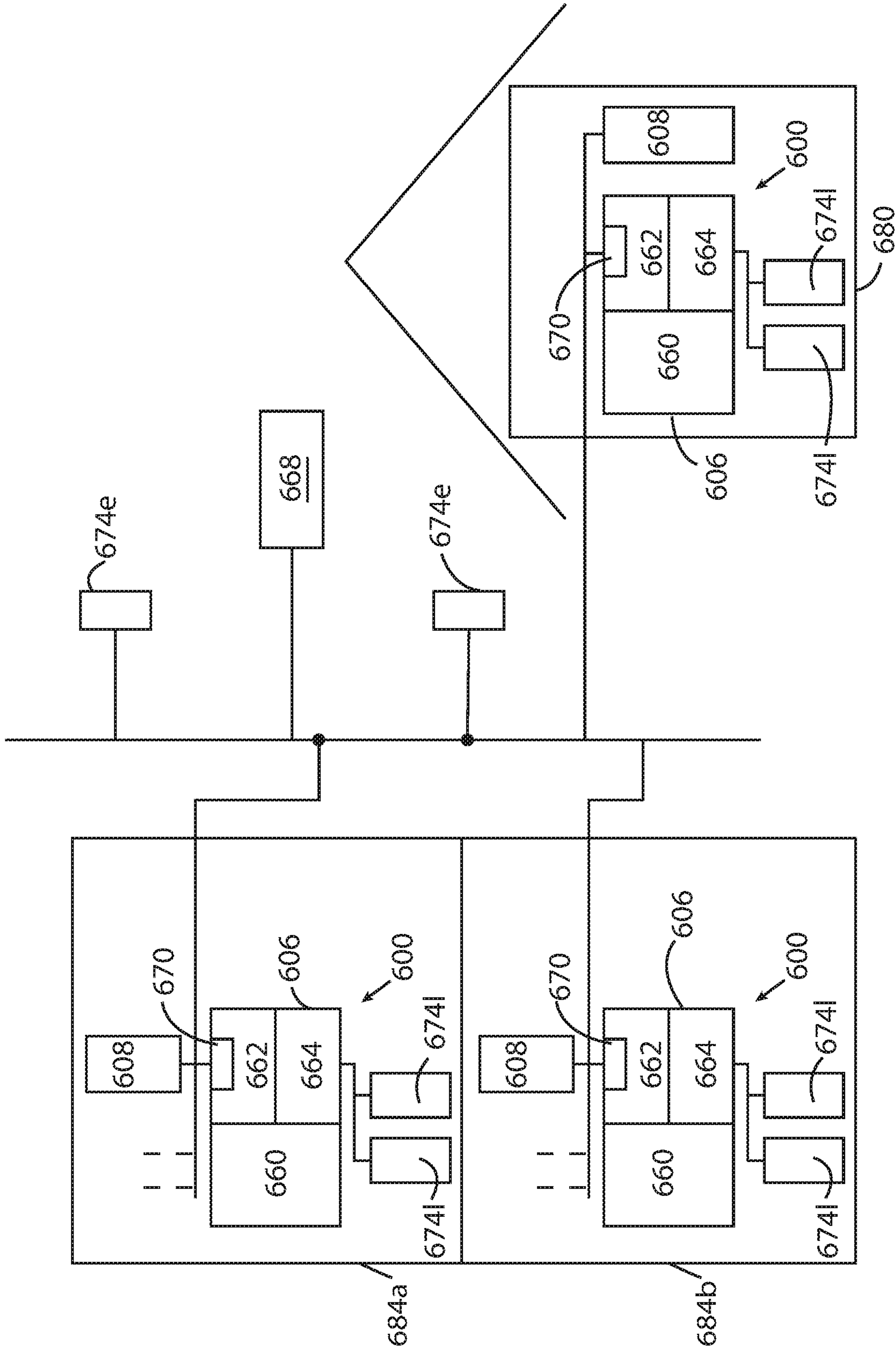


Figure 7a

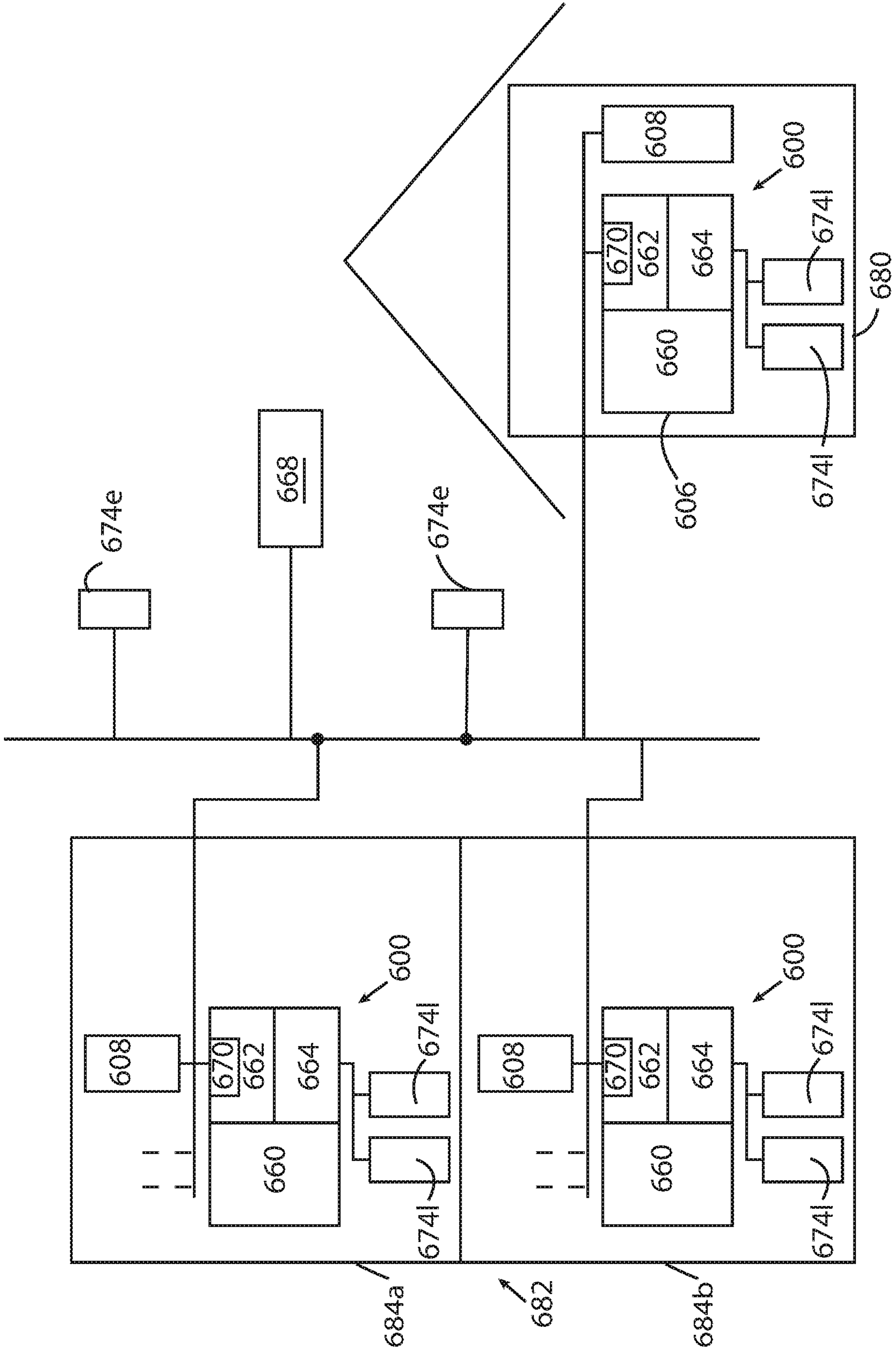


Figure 7b

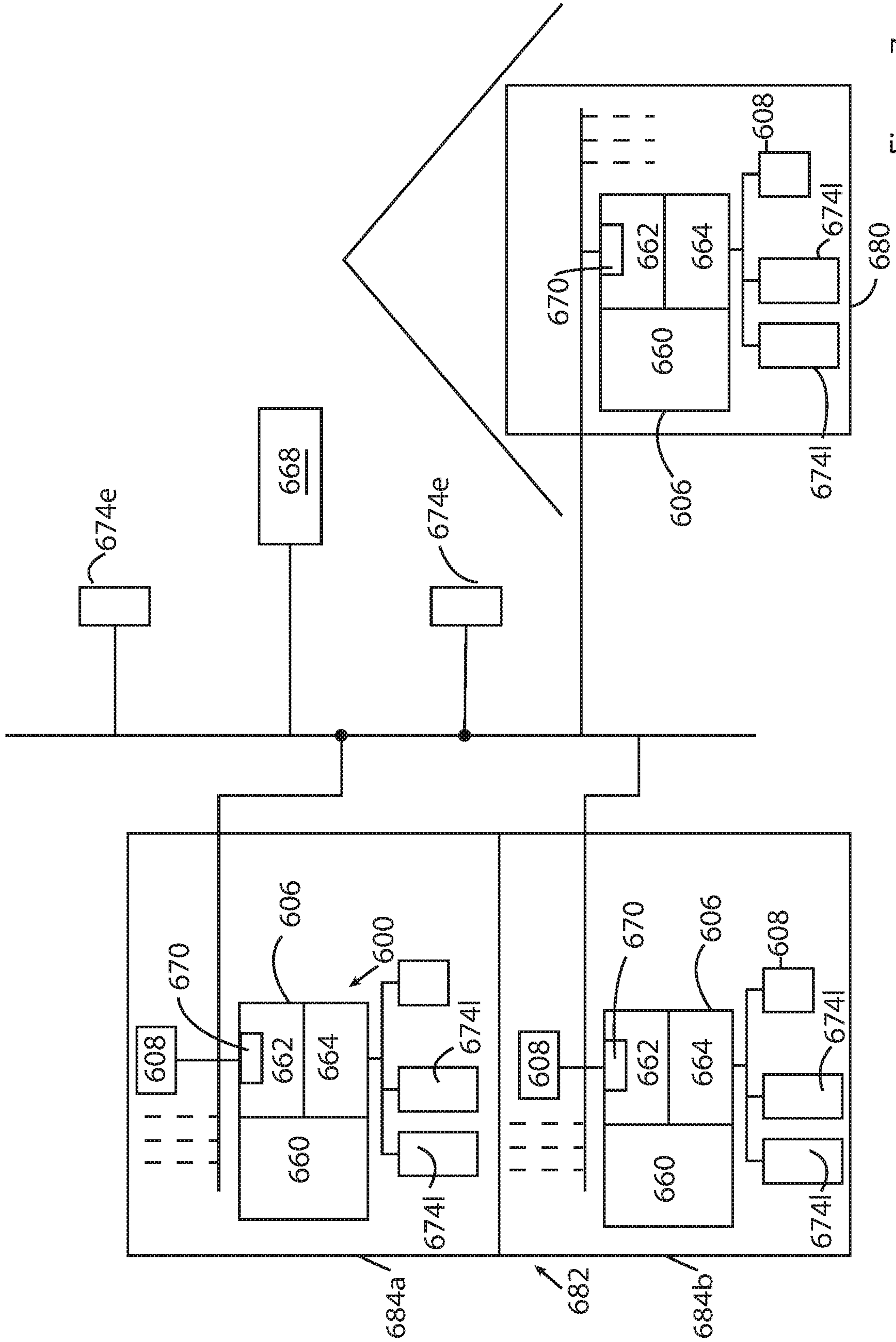


Figure 7c

1

## HEAT TRANSFER SYSTEM AND ENVIRONMENTAL CONTROL SYSTEM WITH HEAT TRANSFER SYSTEM

### CROSS-REFERENCE TO RELATED APPLICATIONS

This application claims priority under 35 U.S.C. § 119 to Canadian patent Application No. 3,013,005, filed on Aug. 1, 2018, the disclosure of which is incorporated herein by reference.

### FIELD

The described embodiments relate to environmental control systems, and in particular, to systems for controlling the temperature of different locations within a structure by transferring heat from one location to another.

### BACKGROUND

Conventional environmental control systems may experience certain disadvantages, such as distributing heated or cooled air throughout a structure unnecessarily, unevenly or consuming excessive energy when attempting to achieve selected temperatures in different locations within a structure. There is a need to improve such environmental control systems to reduce these and other disadvantages.

### SUMMARY

In one aspect, at least one embodiment described herein provides an environmental control system for a structure, the environmental control system comprising: an HVAC system including an HVAC device and a primary distribution system having a supply end in thermal communication with the HVAC device and at least two primary HVAC registers in thermal communication with corresponding locations in the structure including a first HVAC register in a first location and a second primary HVAC register in a second location; an ambient energy distribution system extending between the first and second locations, wherein the ambient energy distribution system is fluidically separate from the primary distribution system; and a control unit coupled to the ambient energy distribution system to control transfer of heat between the first and second locations through the ambient energy distribution system.

In some embodiments, the ambient energy distribution system is fluidically isolated from the primary distribution system.

In some embodiments, the HVAC system includes an HVAC system energy moving member in fluid communication with the primary distribution system, and the ambient energy distribution system includes an ambient energy moving member operable independently of the first air moving member by the control unit to transfer energy between the first and second locations.

In some embodiments, the ambient energy distribution system includes ambient air ducting extending between the first and second locations and wherein the ambient energy moving member is an air blower, and wherein the ambient energy member is operable by the control unit to blow air between the first and second locations through the ambient air ducting.

In some embodiments, the ambient energy distribution system extends between at least three locations including the first and second location and wherein the ambient air ducting

2

extends between the at least three locations and further including a controllable damper in the ambient air ducting between the first and second locations, wherein the controllable damper is coupled to the control unit and may be adjusted to regulate the transfer of heat energy between the first and second locations.

In some embodiments, the ambient energy distribution system extends between at least three locations including the first and second location and wherein the ambient air ducting extends between the at least three locations and further includes a controllable damper in the ambient air ducting between the first and second locations, wherein the controllable damper is coupled to the control unit and may be adjusted to fluidically isolate the third location from the first and second locations to substantially restrict airflow between the third location and the first and second locations.

In some embodiments, the ambient energy distribution system includes: fluid conduits extending between the first and second locations to carry a thermal fluid between the first and second locations; and an ambient heat exchanger in each location coupled to the fluid conduits to transfer heat energy between air in the location and the thermal fluid, wherein the ambient energy moving member is a fluid pump, and wherein the ambient energy member is operable by the control unit to transfer heat energy between the first and second locations by moving the thermal fluid through the fluid conduits.

In some embodiments, the first location is a first room in the structure and the second location is in a second room in the structure.

In some embodiments, the first location and the second location are different regions in the same room in the structure.

In some embodiments, the first location is a higher region in the room and the second location is a lower region in the room.

In some embodiments, the environmental control system further comprises a first environmental sensor in the first location and a second environmental sensor in the second location, and wherein each environmental sensor is coupled to the control unit to provide ambient environmental information to the control unit corresponding to the respective location in which the environmental sensor is located.

In some embodiments, each environmental sensor includes a temperature sensor and wherein the control unit receives ambient temperature information from each environmental sensor reporting an ambient temperature in the respective location in which the environmental sensor is located.

In some embodiments, the environmental control system further comprises a first user interface for receiving a target temperature for the first location and the second location.

In some embodiments, the environmental control system further comprises a first user interface for receiving a target temperature for the first location and a second user interface for receiving a target temperature for the second location.

In some embodiments, the control unit is configured with a target temperature for the first location and with a target temperature for the second location.

In some embodiments, the ambient energy moving member is actuated in response to an actuation condition.

In some embodiments, the actuation condition includes at least one of the following conditions: the ambient temperatures in the first and second locations differ by a selected temperature difference; the ambient temperature in the first location is higher than the target temperature for the first location; the ambient temperature in the second location is

lower than the target temperature for the second location; and the ambient temperature in the first location is higher than the target temperature for the first location and the ambient temperature in the second location is lower than the target temperature for the second location.

In some embodiments, the actuation condition includes one or more of the following conditions: the ambient temperature in the first location is higher than the target temperature for the first location; the ambient temperature in the second location is lower than the target temperature for the second location; and the ambient temperature in the first location is higher than the target temperature for the second location, wherein actuating the ambient energy moving member results in heat energy from the first location being transferred to the second location.

In some embodiments, the actuation condition includes one or more of the following conditions: the ambient temperature in the first location is lower than the target temperature for the first location; the ambient temperature in the second location is higher than the target temperature for the second location; and the ambient temperature in the first location is lower than the target temperature for the second location, wherein actuating the ambient energy moving member results in cooler air from the first location being transferred to the second location.

In some embodiments, the control unit comprises: a control unit coupled to the HVAC device and the ambient energy distribution system; a system communication interface that provides a first secure communication interface for remote devices, wherein the system communication interface includes a firewall to prevent unauthorized devices from accessing the control unit; and a local communication interface to provide a secure communication interface for local user devices.

In some embodiments, the local communication interface operates using a selected local communication protocol and wherein the local communication interface is secured by applying a security protocol corresponding to the selected local communication protocol.

In some embodiments, the local communication interface operates using a local communication protocol selected from the group consisting of: WiFi, Bluetooth, Bluetooth LE, ZigBee and WiMax, and wherein the local communication interface is secured by applying a security protocol corresponding to the selected local communication protocol.

In some embodiments, the environmental control system further comprises a system monitor coupled to the control unit through the system communication interface and the firewall.

In another aspect, at least one embodiment described herein provides a system for controlling the ambient environment in a plurality of units in a structure, the system including: an environmental control system installed in each of at least some of the units wherein each environmental control system includes: an HVAC system including an HVAC device and a primary distribution system having a supply end in thermal communication with the HVAC device and at least two primary HVAC registers in thermal communication with corresponding locations in the structure including a first primary HVAC register in a first location and a second primary HVAC register in a second location; an ambient energy distribution system extending between the first and second locations, wherein the ambient energy distribution system is fluidically separate from the primary distribution system; and a control unit coupled to the ambient energy distribution system to control transfer of heat between the first and second locations through the

ambient energy distribution system, the control unit comprising a system communication interface, a system monitor coupled to each respective environmental control system to receive data regarding the operation of each respective environment control system.

In some embodiments, each control unit includes a firewall and the system monitor is coupled to each respective control unit through the respective firewall.

In some embodiments, the system monitor is configured to control the operation of each environmental control unit.

In some embodiments, the system monitor is configured to coordinate the operation of at least some of the environmental control units.

In some embodiments, each environmental control system includes an HVAC system and an ambient energy distribution system, and wherein the system monitor is configured to selectively limit the operation of HVAC systems in one or more environmental control systems.

In some embodiments, each environmental control system includes an HVAC system and an ambient energy distribution system, and wherein the system monitor is configured to, in a sequential order, limit the operation of HVAC systems in a first group of one or more environmental control systems, and then limit the operation of HVAC system in a second group of one or more environmental control systems.

In another aspect, at least one embodiment described herein provides a control unit for an environmental control system comprising: a controller; a system communication interface that provides a first secure communication interface for remote devices, wherein the system communication interface includes a firewall to prevent unauthorized devices from accessing the control unit; and a local communication interface to provide a secure communication interface for local user devices.

In some embodiments, the local communication interface operates using a selected local communication protocol and wherein the local communication interface is secured by applying a security protocol corresponding to the selected local communication protocol.

In some embodiments, the local communication interface operates using a local communication protocol selected from the group consisting of: WiFi, Bluetooth, Bluetooth LE, ZigBee and WiMax, and wherein the local communication interface is secured by applying a security protocol corresponding to the selected local communication protocol.

In some embodiments, the external communication interface is adapted to allow the control unit to communicate with a plurality of HVAC system devices.

It will be appreciated that any aspect disclosed herein may be used with one or more of the other aspects disclosed herein and any feature of any embodiment of any aspect may be used with one or more features of any embodiment of any one or more of the other aspects.

Other features and advantages of the present application will become apparent from the following detailed description taken together with the accompanying drawings. It should be understood, however, that the detailed description and the specific examples, while indicating preferred embodiments of the application, are given by way of illustration only, since various changes and modifications within the spirit and scope of the application will become apparent to those skilled in the art from the detailed description.

#### DESCRIPTION OF THE DRAWINGS

For a better understanding of the various embodiments described herein, and to show more clearly how these

## 5

various embodiments may be carried into effect, reference will be made, by way of example, to the accompanying drawings which show at least one example embodiment and the figures will now be briefly described.

FIG. 1 illustrates a first environmental control system for distributing or transferring heat between locations;

FIG. 2 illustrates another environmental control system that allows heat to be selectively distributed within a location as well as between locations;

FIGS. 3a, 3b and 3c illustrate a vent with an integrated damper that may be used with various embodiments of environmental control systems;

FIG. 4 illustrates another environmental control system that allows heat to be selectively transferred within and between locations;

FIG. 5 illustrates another environmental control system that allows heat to be transferred between locations using a thermal fluid;

FIG. 6 illustrates a user interface and a control unit coupled to a system monitor; and

FIGS. 7a, 7b and 7c illustrate various configurations of multiple environmental control systems coupled to a system monitor and one or more user interfaces.

The skilled person in the art will understand that the drawings, described below, are for illustration purposes only. The drawings are not intended to limit the scope of the applicants' teachings in anyway. Also, it will be appreciated that for simplicity and clarity of illustration, elements shown in the figures have not necessarily been drawn to scale. For example, the dimensions of some of the elements may be exaggerated relative to other elements for clarity. Further, where considered appropriate, reference numerals may be repeated among the figures to indicate corresponding or analogous elements.

## DESCRIPTION OF EXAMPLE EMBODIMENTS

Various apparatuses or processes will be described below to provide an example of various embodiments of the claimed subject matter. No embodiment described below limits any claimed subject matter and any claimed subject matter may cover processes, apparatuses, devices, or systems that differ from those described below. The claimed subject matter is not limited to apparatuses, devices, systems, or processes having all of the features of any one apparatus, device, system, or process described below or to features common to multiple or all of the apparatuses, devices, systems, or processes described below. It is possible that an apparatus, device, system, or process described below is not an embodiment of any claimed subject matter. Any subject matter that is disclosed in an apparatus, device, system, or process described below that is not claimed in this document may be the subject matter of another protective instrument, for example, a continuing patent application, and the applicants, inventors, or owners do not intend to abandon, disclaim, or dedicate to the public any such subject matter by its disclosure in this document.

Furthermore, it will be appreciated that for simplicity and clarity of illustration, where considered appropriate, reference numerals may be repeated among the figures to indicate corresponding or analogous elements. Figures illustrating different embodiments may include corresponding reference numerals to identify similar or corresponding components or elements. In addition, numerous specific details are set forth in order to provide a thorough understanding of the example embodiments described herein. However, it will be understood by those of ordinary skill in the art that the example

## 6

embodiments described herein may be practiced without these specific details. In other instances, well-known methods, procedures, and components have not been described in detail so as not to obscure the example embodiments described herein. Also, the description is not to be considered as limiting the scope of the example embodiments described herein.

It should also be noted that the terms "coupled" or "coupling" as used herein can have several different meanings depending in the context in which the term is used. For example, as used herein, the terms "coupled" or "coupling" can indicate that two elements or devices can be directly coupled to one another or indirectly coupled to one another through one or more intermediate elements or devices via an electrical element, electrical signal, or a mechanical element such as but not limited to, a wire or cable, for example, depending on the particular context. Elements and devices may also be coupled wireless to permit communication using any wireless communication standard. For example, devices may be coupled wirelessly using Bluetooth communication, WiFi or another standard or proprietary wireless communication protocol.

It should be noted that terms of degree such as "substantially", "about", and "approximately" as used herein mean a reasonable amount of deviation of the modified term such that the end result is not significantly changed. These terms of degree should be construed as including a deviation of the modified term if this deviation would not negate the meaning of the term it modifies.

Furthermore, the recitation of any numerical ranges by endpoints herein includes all numbers and fractions subsumed within that range (e.g., 1 to 5 includes 1, 1.5, 2, 2.75, 3, 3.90, 4, and 5). It is also to be understood that all numbers and fractions thereof are presumed to be modified by the term "about" which means a variation up to a certain amount of the number to which reference is being made if the end result is not significantly changed.

The various embodiments disclosed herein generally relate to environmental control systems. In particular, the various embodiments described herein relate to systems for controlling the temperature of different locations within a structure by recirculating heat from one location to another.

Reference is first made to FIG. 1, which illustrates an environmental control system 100 according to an example embodiment. System 100 includes an HVAC system 102, an ambient energy distribution system 104, a control unit 106, one or more user interfaces 108 and one or more environmental sensors 112.

HVAC system 102 includes a HVAC device 116 and a primary distribution system 110. HVAC device 116 may be any HVAC device known in the art which provides heating and or cooling. For example, HVAC device 116 may include a combination of a heating element and an evaporator coil 134 and a first blower 118. Primary distribution system 110 may be any distribution system to distribute treated air exiting a HVAC device 116 to one or more locations in a building as is known in the art and accordingly may include supply ducting 120 and return air ducting 122. In this embodiment, HVAC device is a combination heating and air conditioning system, and may include additional elements such as refrigerant lines, a condensing coil and a condenser. In other embodiments, the HVAC device may be a furnace, heat pump, heat recovery ventilator (HRV), energy recovery ventilator (ERV), an air conditioner (AC) or a combination of heating, ventilation and air conditioning (HVAC) devices. Ducting 120 has a HVAC or supply end 126 in fluid communication with the HVAC device and a plurality of



primary HVAC registers or vents **128**. Register **128a** is in a first location **132a** and register **128b** is in a second location **132b**.

Locations **132** may, for example, be different rooms or areas in structure **130**. In some instances, locations **132** may be partially, substantially or completely fluidically isolated from one another. For example, different rooms in a large house or office building may be substantially fluidically isolated, even if the rooms can be opened into a shared network of corridors or halls. The fluidic isolation of a location or locations may be changed, for example, by changing settings of HVAC vents (including return air vents), or by opening or closing doors or windows. In other instances, locations **132** may be physically spaced regions that are in fluid communication with one another, allowing air to be easily mixed between the different locations.

Return ducting **122** has a plurality of return air vents **124** which are positioned in locations **132a**, **132b**. Return air ducting **122** carries air from air vents **124** to the blower **118** in HVAC device **116**.

A first user interface **108a** and a first environmental sensor **112a** are positioned in first location **132a** and are coupled to a control unit **106**. Similarly, a second user interface **108b** and a second environmental sensor **112b** are positioned in second location **132b**, and are also coupled to control unit **106**. User interfaces **108** provide an interface for a user to provide settings (such as a target temperature) to system **100** and to receive information from system **100**. For example, a user interface **108** may provide a dial, switches, touchscreen or other means to allow a user to enter a target ambient temperature for the respective location in which a particular user interface **108** is located, and, optionally, for other locations. A user interface may also report information such as the current target temperature, current ambient temperature, ambient humidity and operating mode or conditions of system **100**. Environmental sensors **112** sense ambient conditions in a location. Typically, an environmental sensor may include an ambient temperature sensor. Some environmental sensors may include a humidity sensor, an air pressure sensor, a light sensor, a sunlight sensor and other types of sensors. In system **100**, each environmental sensor **112** includes a temperature sensor that senses the ambient temperature in its respective locations and provides a temperature signal containing ambient temperature information corresponding to the measured ambient temperature to control unit **106**.

Control unit **106** can be coupled wirelessly, by wired connection, or both with various devices to permit communication with the devices, including, but not limited to, user interfaces, environmental sensors, blowers, fans, dampers, pumps, heaters, radiators, ventilators, air conditioners, and other devices in the system.

Control unit **106** is operable to receive ambient temperature information from each of environmental sensor **112a** and second environmental sensor **112b**. HVAC device **116** operates under the control of control unit **106**, which may send heating signals, cooling signals, ventilation signals and other HVAC system control signals to activate different operating modes of HVAC device **116**.

For example, HVAC device **116** may operate in a heating mode in response to a heating signal from control unit **106**, in response to a heating signal from control unit **106**, HVAC device **116** may switch on blower **118**, which draws air from structure **130** through return air ducts **122** and blows the air through a heating element **134**. Supply end **126** receives heated air from HVAC device **116**. The heated air is forced through ducts **120** by a first blower **118** and exits ducts **120**

into the various rooms or locations **132** in structure **130** through registers **128**. In this manner all locations **132** may be heated.

Similarly, HVAC device **116** may operate in a cooling mode in response to a cooling signal from control unit **106**, in which an air conditioning system (not shown), which may be integrated into HVAC device **116** is operational.

Similarly, HVAC device **116** may operate in a ventilation mode in response to a ventilation signal, in which blower **118** may be operational, but the heating element **134** and air conditioning system are not operational.

Various HVAC devices may have other elements assembled with or into them to provide other functions such as heat recovery or energy recovery. It will be appreciated that HVAC device **116** may be an ERV device and may draw air from the exterior of a building and may exhaust air to the exterior of the building.

Ambient energy distribution system **104** extends between first location **132a** and second location **132b** in structure **130**, and allows for transfer of heat energy between the locations. In this embodiment, ambient energy distribution system **104** provides an airflow path between the locations, allowing relatively warm or relatively cool air to be transferred from one location to the other, thereby changing the distribution of heat energy between the locations. Ambient energy distribution system **104** has a first vent **142a** in first location **132a** and a second vent **142b** in second location **132b**. The vents **142** are connected by ambient air ducting **146**. Ambient energy distribution system **104** has an ambient energy moving member **140**. In this embodiment, the ambient energy moving member is an ambient air fan or ambient air blower **140** operable independently of first blower **118**. Ambient air **140** is located between first vent **142a** and second vent **142b**. It will be appreciated that ambient energy distribution system **104** may extend between more than two locations, it may have more than one ambient air moving member and it may have more than one outlet in a room and/or more than one inlet in a room.

Ambient energy distribution system **104** is fluidically separate from the HVAC system **102**. As exemplified, the ducting for ambient energy distribution system **104** is physically separate from the ducting for HVAC system **102**. It will be appreciated that HVAC system **102** and ambient energy distribution system **104** may share some common ducting. In such a case, the shared portion of the ducting (which would then be part of both primary distribution system **110** and ambient energy distribution system **104**) may be physically isolated from the remaining portion of the ducting of primary distribution system **110** when ambient energy distribution system **104** is in use or the remaining portion of the ducting of ambient energy distribution system **104** when primary distribution system **110** is in use by any means known in the art such as a closeable damper at the terminal ends of the shared portion of the ducting.

Ambient energy distribution system **104** is capable of transferring heat between locations **132a** and **132b** independently of HVAC system **102** and the operation of HVAC device **116**. Ambient air blower **140** may be operated bidirectionally (i.e. in either direction at any particular time) to blow air in ducting **146** from first location **132a** to second location **132b** or from second location **132b** to first location **132a**.

Control unit **106** is coupled to and controls the operation of ambient air ambient air blower **140**, including its speed and direction of operation. Ambient air blower **140** will

typically be operated to blow heated or cooled air from first location **132a** to **132b** or vice versa upon the existence of an actuation condition.

For example, an actuation condition may relate to the availability of excess heat energy in one location and a demand for heat in another location. For example, if:

- (i) the ambient temperature in room **132a** (as sensed by environmental sensor **112a** and reported to control unit **106**) is higher than the target temperature for room **132a** (as set by a user at a user interface **108**); and/or
- (ii) the ambient temperature in room **132b** is lower than the target temperature for room **132b**, and/or
- (iii) the ambient temperature in room **132a** is higher than the target temperature for room **132b**,

then control unit **106** may activate ambient air blower **140** to blow air from location **132a** to location **132b**, thereby blowing relatively warm air from location **132a** to location **132b**. Air may flow out of location **132b** and similarly air may blow into location **132a** to maintain air pressure in the respective locations. For example, air may flow into or from a hallway between the locations, through the ducting **120** of the HVAC system **102**, or otherwise into areas or locations that are in fluid communication with locations **132**.

Other actuation conditions may relate to the difference in the ambient temperature between the first and second locations exceeding a user set or predetermined threshold; the ambient temperature in a location being higher than a target temperature for that location; the ambient temperature in a location being lower than a target temperature for that location; or a combination of these and other conditions.

Control unit **106** may coordinate the operation of the HVAC system and the ambient energy distribution system **104** in response to user settings provided at the user interfaces and ambient temperature conditions.

Control unit **106** may continue the operation of ambient air blower **140** and of HVAC device **116** until the actuation condition(s) that initiated their respective or coordinated operation no longer exists, until a different condition exists, for a minimum time period, for a maximum time period or based on a combination of such criteria.

HVAC system **102** may include one or more optional dampers **114** that may restrict the flow of heated air through HVAC system **102** to first location **132a** or second location **132b**. In the illustrated embodiment, first damper **114a** can restrict airflow to first location **132a** and second damper **114b** can restrict airflow to second location **132b**. Control unit **106** may be coupled to dampers **114** and may actuate them to allow full airflow to a location, no airflow to a location or an intermediate amount of airflow to the location, by rotating or otherwise configuring the dampers to open, partially open, partially close or close a portion of the ducting. When HVAC device **116** is active, air can be selectively blown into one or both locations **132a**, **132b** at variable rates depending on the damper configurations (and also depending on the amount of heated or cooled air generated in the HVAC device and the speed of blower **116**).

In some embodiments, a structure may have a user interface that is used to set a target temperature for multiple locations within the structure. For example, a house may have a single user interface that is used to set a single target temperature for some or all rooms or locations in the house. It is common for different locations in a house to be at different temperatures, particularly in rooms that receive more or less incident sunlight, are on different floors of the house or are otherwise subject to different thermal environments or thermal conditions. By installing an ambient energy distribution system between such locations, heat

energy may be transferred from one location to another. For example, if one location has an ambient temperature higher than the target temperature and another location has an ambient temperature lower than the target temperature, as sensed by environmental sensors **112** installed in the respective locations, relatively warm air may be blown from the relatively warmer location to the relatively cooler location through an air circulation system under the control of a control unit **106**. In some embodiments, additional criteria may be incorporated in an actuation condition. For example, air circulation system may be operated only if the temperature differential between two locations exceeds a selected difference threshold, or if one or both of the locations have an ambient temperature that differs from the target temperature by a selected threshold, or a combination of conditions.

In some embodiments, one or more of a user interface **108**, an environmental sensor **112** and a control unit may be combined in a single unit. The control unit in such a thermostat may, in a manner similar to control unit **106**, control the operation of a primary distribution system as well as an air circulation system.

It will be appreciated that the user interface may be a single integrated thermostat that controls both the ambient energy distribution system **104** and the HVAC system **102**. Alternately, the user interface may be remote from the thermostat (which may be located anywhere in the building). Alternately, if the thermostat is provided at one location, a user interface may be part of the thermostat and separate user interfaces may be provided on one or more other locations.

Reference is next made to FIG. 2, which illustrates an HVAC system **200** according to another example embodiment. System **200** is similar in structure and operation to system **100** and elements of system **200** that correspond to element of system **100** are generally identified by corresponding reference numerals.

System **200** includes a HVAC system **202**, an ambient energy distribution system **204**, a control unit **206**, one or more user interfaces **208** and one or more environmental sensors **212**. In FIG. 2 (and some of the following figures), couplings between the control unit and various controlled or controllable elements are not illustrated to simplify the drawings.

In system **200**, the rooms in the structure have multiple locations within them. Location **232ah** is the upper or higher portion of a room **232a**. Location **232al** is the lower portion of room **232a**. Similarly, locations **232bh** and **232bl** are respectively the higher region and lower region in room **232b**. The air circulation system **204** includes a vent **242a** in location **232ah** and a vent **244a** in location **232al**. Vent **242a** is positioned, e.g., on a wall in a relatively high position (i.e. relatively closer to a ceiling) or in the ceiling. Vent **244a** is positioned below vent **242a** in a relatively low position (i.e. relatively closer to a floor). Ducting **228a** extends between vents **242a** and **244a**. Similarly, in room **232b**, a high vent **242b** is positioned in location **232bh** above a low vent **244b** in location **232bl** and ducting **228b** extends between vents **242b** and **244b**. Ducting **228a**, **228b** is in fluid communication with ducting **246**, thereby providing a continuous air flow path throughout the air circulation system **200** from low vent **244a** in location **232al** to low vent **244b** in location **232bl**.

Referring to FIGS. 3a, 3b and 3c, vent **242a** may include a vent grille **250** and a controllable damper **248** that can be positioned to allow or restrict a selected amount of airflow through vent **242a** and a damper positioning motor **252**. Damper **248** is connected to motor **252**, which can rotate

damper **248** to various positions between a fully or substantially closed position and a fully or substantially open position. Motor **252** is coupled to control unit **206**, which transmits a damper control signal to the motor to control the position of damper **248** and thereby regulates the amount of airflow through vent **242a**. FIG. **3a** illustrates damper **248** in a closed position in which airflow is substantially restricted through vent **242a**. FIG. **3c** illustrates damper **248** in a fully or substantially open position in which airflow is substantially free through vent **242a**. Damper **248** may be positioned in a partially open or intermediate position, as illustrated in FIG. **3b**, allowing a controlled amount of airflow through vent **242a**.

Referring again to FIG. **2**, each of vents **242** and **244** may be provided with a damper and the dampers may be independently controllable dampers **248** in a manner similar to vent **242a**, allowing the control unit **206** to independently control airflow through each of the vents **242**, **244** in the air circulation system. FIG. **2** illustrates that these vents may be controlled using a diagonal line on the vents. Supply vents **228** and return air vents **224** may optionally similarly have controllable dampers that are coupled to control unit **206** to regulate the amount of air flowing between HVAC device **216** and each room **231** or location **232**.

In some rooms or places, air in a higher location, near the ceiling and closer to a high vent **242**, may be warmer than air in a lower location, near the floor and closer to a low vent **244**. Air circulation system may be operated to selectively blow air from or into a lower or higher location by controlling the operation of blower **240** and the settings of dampers **248** in the respective high vents **242** and low vents **244**.

In system **200**, an environmental sensor **212** may be installed in each location as exemplified. Environmental sensor **212ah** is installed in location **232ah** and environmental sensor **212al** is installed in location **232al**. Environmental sensors **212bh** and **212bl** may be similarly installed at locations **232bh** and **232bl**. Each environmental sensor includes a temperature sensor, allowing air temperatures in high and low regions of room **232a** and **232b** to be measured and reported to control unit **206** independently.

Typically different air distribution strategies or profiles may be used in response to various actuation conditions. For example, if the target temperature is higher in one location than another, then ambient energy distribution system **204** may be used to transfer heat from one location (e.g., the upper portion of a room) to another location (a lower portion of the room). Such a condition may occur in winter when more heat may be desired in the lower portion of a room (e.g., chest or head height) as opposed to adjacent the ceiling, particularly in houses with a high ceiling (e.g., a 10 or 12 foot ceiling). In such a case, the actuation conditions may be as follows:

- (i) the ambient temperature in location **232ah** (as sensed by environmental sensor **212ah** and reported to control unit **206**) is higher than the target temperature for room **231a** (as set by a user at user interface **208a**); and/or
  - (ii) the ambient temperature in location **232bl** is lower than the target temperature for room **231b**; and/or
  - (iii) the ambient temperature in location **232ah** is higher than the target temperature for room **231b**,
- then control unit **206** may determine that there is an excess of heat in the upper region of room **231a** and a deficit of heat in room **231b**.

The control unit may:

- (a) open dampers **248** in vents **242a** and **244b**;
- (b) close dampers **248** in vents **242b** and **244a**; and

(c) activate blower **240** to blow air from room **231a** to room **231b**.

This will blow relatively warm air from the higher region of room **232a** to the lower region of room **232b**.

Alternately, if a blower is provided between vents **242a** and **244a** (and optionally vents **242a** and **242b** are not connected by ducting or the connecting transverse duct is closeable, such as by dampers), then the actuation conditions may be as follows:

- (i) the ambient temperature in location **232ah** (as sensed by environmental sensor **212ah** and reported to control unit **206**) is higher than the target temperature for room **231a** (as set by a user at user interface **208a**); and/or
  - (ii) the ambient temperature in location **232bl** is lower than the target temperature for room **231b**;
- then control unit **206** may determine that there is an excess of heat in the upper region of room **231a** and a deficit of heat in a lower portion of room **231a**.

The control unit may:

- (a) open dampers **248** in vents **242a** and **244a**;
- (b) close dampers **248** in vents **242b** and **244b** (if a transverse duct is provided); and
- (c) activate a blower located between vents **242a** and **244a** to blow air from the upper portion of room **231a** to the lower portion of room **231a** or vice versa.

This will blow relatively warm air from the higher region of room **231a** to the lower region of room **231a**.

Similarly the ambient energy distribution system could be used to transfer warmer area within a room from one location to another location in a room (e.g., the front part of a room adjacent a window which is heated by sunlight to a location in the room distal to the window) or from one room (e.g., a room which has a high level of incident sunlight) to another room which has less incident sunlight.

It will be appreciated that the direction of flow may vary during a day. For example, the front of a house or apartment may receive more incident light in the morning and therefore the ambient energy distribution system may transfer warmer air to a rear part of the house or apartment which has less incident sunlight. The rear part of the house or apartment may receive more incident sunlight in the afternoon. Therefore, in the afternoon, the ambient energy distribution system may transfer warmer air to a front part of the house or apartment which has less incident sunlight.

It will be appreciated that the ambient energy distribution system may alternately be operated to move cooler air to a part of a room, house or apartment which requires more cooling. Such a condition may occur in the summer. Such an alternate actuation conditions could be as follows:

- (i) the ambient temperature in location **232al** (as sensed by environmental sensor **212al** and reported to control unit **206**) is lower than the target temperature for room **232a** (as set by a user at user interface **208a**); and/or
  - (ii) the ambient temperature in location **232al** is higher than the target temperature for room **232a**;
- then control unit **206** may determine that there is an excess of cooler air in the upper region of room **231a** and a deficit of cooler air in the lower region of room **231a**.

The control unit may:

- (a) open dampers **248** in vents **242a** and **244a**;
- (b) close dampers **248** in vents **242b** and **244b** (if a transverse duct is provided); and
- (c) activate a blower located between vents **242a** and **244a** to blow air from the upper portion of room **231a** to the lower portion of room **231a** or vice versa.

Similarly, cooler air may be moved from one room (e.g., a room having less incident sunlight) to another room (e.g., a room with more incident sunlight), or from a location in a room having relatively cooler air to a location in another room of the same room having relatively warmer air.

Various other actuation conditions may be defined and control unit **206** may respond to the various actuation conditions to activate various air distribution (or air circulation) strategies or profiles in response to such conditions. Some actuation conditions may result in heat energy being transferred from a higher location in a room to a lower location in the same room to provide air circulation and to equalize the temperature within the room. The actuation conditions and air distribution strategies may be adapted for use for different heating and cooling environments and different seasons or times of the year. Optionally, the system could be used to move heat from one floor in a house to one or more other floors. For example, in the summer, the system could be used to move cooler air from a basement to one or more above ground floors and optionally to the top floor in a house. In the winter, hotter air that accumulates above ground, such as in the upper floor of a house, could be moved to one or more lower floors and optionally to the basement of a house. It will be appreciated that ambient energy distribution system **404** may use HVAC ducting or a liquid sub-loop as disclosed herein.

Reference is next made to FIG. **4**, which illustrates another system **300** according to another example embodiment. System **300** is similar to system **200** and elements of system **300** that correspond to elements of systems **100** or **200** are generally identified by corresponding reference numerals.

System **300** includes an HVAC system **302**, an ambient energy distribution **304**, a control unit **306**, one or more user interfaces **308** and one or more environment sensors **312**.

Ambient energy distribution system **304** includes a plurality of blowers **356** in ducting **346**. Blower **356a** is positioned between vents **342a** and **344a**. Similarly, blower **356b** is positioned between vents **342a** and **344b**. Each of the blowers **356** may be operated bidirectionally to blow air toward the corresponding higher vent **342** or towards the corresponding lower vent **344**. Each blower **356** is coupled, e.g., to control unit **306** which can activate and control the speed of each blower independently.

Blowers **356** may be used to provide air circulation and heat energy distribution within a room **331**.

For example, if dampers **348** in vents **342a** and **344a** are both at least partially open and blower **356a** is activated to blow air from vents **342a** and **344a**, air will blow from location **332ah** to location **332al**, which may help maintain a more consistent temperature in room **331a**.

Ambient energy distribution system **304** may also include one or optional dampers **348** in ducting **346**. Damper **348** is positioned between rooms **331a** and **331b**. Damper **348** is coupled to control unit **306**, which may position damper **348** in a fully open, fully (or substantially) closed or in an intermediate position, thereby controlling the flow of air between locations **332**. For example, if damper **348** is closed, in this example embodiment, locations **332a** and **332b** will be substantially fluidically isolated (at least with respect to fluid communication through ducting **346**). Blowers **356** may be operated independently to selectively and independently provide air circulation within the isolated locations, allowing air to be circulated in a room without substantial mixing of air between the rooms. This may be desirable, for example, in structures where one location may, at times, contain contaminants such as dust or aromatic

substances and it may be desirable to prevent the mixing of contaminated air into other locations within the structure.

In some embodiments, additional air processing equipment may be installed in an air circulation system. For example, an air cleaning or air filtration system (not shown) may be installed within the ducting **346** or may be integrated with a vent **342** or **344**. Examples of such air processing systems may include ultraviolet (UV) light air purifiers, HEPA filters, ionizers and air deodorizers. Such air processing systems may be coupled to the system control unit, which can then coordinate the operation of the air processing system with other components of the HVAC system.

In systems **100**, **200** and **300**, the air circulation system is combined with a forced air HVAC device **116**, **216**, or **316** respectively. In other embodiments, the HVAC device may pump another heated or cooled fluid, such as water to some or all of the various locations in a structure to heat or cool the locations. In some embodiments, an HVAC device may be provided directly in one or more locations. For example, a location may have an in-room electric heater and/or air conditioning unit. The HVAC device(s) may be coupled to the control unit which can then coordinate the operation of the HVAC device(s) and the air circulation system.

Reference is next made to FIG. **5**, which illustrates an environment control system **400** according to another embodiment. System **400** is similar in structure and operation to the environmental control systems described above and elements of system **200** that correspond to element of the other environmental control systems are generally identified by corresponding reference numerals.

System **400** includes an HVAC system **402**, an ambient energy distribution system **404**, a control unit **406**, one or more user interfaces **408** and one or more environmental sensors **412**. Ambient energy distribution system utilizes a liquid to convey heat from one location to another. As opposed to a radiator system in a house which conveys heat via a piping system from a furnace throughout a residence, ambient energy distribution system **404** may be used concurrently with a primary distribution system **102** to convey excess heat from one location to one or more other locations. It will be appreciated that a series of ambient energy distribution systems **404** may be provided. Each ambient energy distribution system **404** may be considered a separate sub-loop in a residence having a primary distribution system **102**. An advantage of a sub-loop system is that it avoids the use of ducting which may be difficult to run between rooms or within a room. A liquid sub-loop may use piping (e.g., 0.5, 1.0, 1.5 inch piping) to convey a liquid. This piping and heat exchanges may be easily installed between wall studs. Also, each sub-loop may contain only a few litres of water. Therefore, in case of a leak, only a small amount of water may be lost minimizing any water damage that may occur.

Ambient energy distribution system **404** includes a first ambient heat exchanger **460a** in a first location **430a** and a second ambient heat exchanger **460b** in second location **430b**. First and second ambient heat exchangers **460a**, **460b** are connected by a pair of water pipes **446a**, **446b**. A pump **440** can pump water in either direction in pipe **446a**. The first and second heat exchangers **460**, pipes **446** and pump **440** form a closed fluid system in which water can flow from heat exchanger **460a** to heat exchanger **460b** and vice versa. The rate of flow of the water is controlled by pump **440**, which is coupled to and operates under the control of control unit **406**. Heat exchangers **460** allow heat energy to be exchanged between the water in circulation system **404** and the surrounding air in corresponding locations **430**. Heat energy can be transferred from a warmer location to a cooler

location by being absorbed at the heat exchanger in the warmer location and then released at the heat exchanger in the cooler location, under the control of the control unit **406**. In some embodiments, ambient energy distribution system **404** may include one or more temperature sensors to detect the temperature of the water at different points in the system. The temperature sensors would be coupled to control unit **406** to report the temperature of the water at different points in the system, allowing that information to be used in controlling the operation of heat circulation system **404**.

Ambient energy distribution system **404** allows heat energy to be transferred between locations in a structure without transferring air between locations, thereby avoiding mixing of air between the locations. Ambient energy system **404** may include multiple heat exchangers in multiple locations within a room in a structure, as is illustrated and described in relation to HVAC system **300**, to allow heat energy to be distributed more evenly within a room. In addition, an ambient energy system using a thermal fluid running in conduits may extend between three or more locations and may include multiple fluid pumps to transfer heat between different combinations of locations. Such a system may also include one or more valves to isolate one or more locations to create different sub-loops to allow different heat transfer operations to take place between different groups of locations.

In system **400**, water is used as a thermal fluid to absorb heat in one location, transport heat to another location and to release heat in the other location. In other embodiments, other thermal fluids, including various liquids, gases and vapors may be used.

In another embodiment, it will be appreciated that primary distribution system **110** may alternately, or in addition, utilize water pipes to conduct heat between HVAC device **116** and one or more rooms or locations. An advantage of such a design is that water pipes occupy less space than HVAC ducting.

Reference is next made to FIG. **6**, which illustrates a control unit **506**, a user interface **508** and an environmental sensor **512**, each of which may be used with the HVAC systems described above. Control unit may be located at any location and optionally is provided as part of a HVAC device **116**.

Control unit **506** includes a microcontrol unit **560**, a system communication interface **562** and a local communication interface **564**. User interface **508** includes a display screen **564** and one or more input devices **566**, which may be buttons, a touch interface, sliders, dials or other input devices. In some embodiments of a HVAC system, a control unit may be assembled together with a user interface.

System communication interface **562** provides a secure communication interface for the control unit to communicate with a system monitor **568** and other remote devices. Secure communication interface **562** includes a firewall **570** which prevents unauthorized devices from accessing control unit **506** and taking control of an environmental control system. Firewall **570** may be a software firewall or a hardware firewall. Firewall **570** is configured to allow only authorized devices to access control unit **506**. In various embodiments, different groups and types of devices may be authorized to access control unit **506** through firewall **570**.

Local communication interface **564** provides a secure communication interface for control unit **506** to communicate with one or more local user devices **574**, which may be in the vicinity of control unit **506**, such as smartphones, computers and wireless user interfaces (e.g., located within the same building or residence in a building as the HVAC

device **116**). Local communication interface **564** may, for example, be a WiFi network, a Bluetooth communication interface or any other standard or proprietary wired or wireless communication interface. In various embodiments, a control unit may include multiple local communication interfaces to allow various local devices to be coupled through. Local communication interface **564** is secured to permit only authorized devices to access control unit **506**. The security protocol will depend on the particular local communication interface. For example, a WiFi network may be secured with a passkey, MAC address control and by other means; a Bluetooth network may be secured using authenticated pairing and encryption techniques; and other types of networks may be secured using appropriate techniques. In some embodiments, the local communication network **564** may be selected or configured to allow only external devices that are physically connected to the network or which are in within a limited communication range or proximity of a router or modem.

Optionally, in another embodiment, which may be used with any embodiment disclosed herein, a smartphone or other local user device **574** may communicate with microcontrol unit **560** (e.g., via firewall **570**) or via local communication interface **564** or via any other available network and may be used to control or temporarily control a HVAC device **116**. Accordingly, local user device **574** may be used to control the HVAC device **116**, such as by programming or reprogramming the control unit **506** or temporarily overriding the programming in the control unit **506**. In any such case, the interface **564** may display current conditions. By way of example, if a user is away from the user's home, the user may use their smartphone to communicate with the microcontrol unit **560** via the internet and firewall **570** so as to override programming, if any, in microcontrol unit **560**, at least on a temporary basis. It will be appreciated that in such an embodiment, the local communication interface **564** may display current conditions in the home and/or the current programmed conditions. In this way, a user may use a smart phone to program or reprogram the HVAC device **116** by communicating with the microcontrol unit **560**, which may be part of the HVAC device **116**. Information from the microcontrol unit **560** may be sent to the user interface **564** for display (e.g., so that a person in the home may know the current setting of the HVAC device **116**) and any information captured by the user interface **564** (e.g., from sensors provided as part thereof or communicating therewith) may be sent from the user interface **564** to the microcontrol unit **560**, which may then communicate information to the user's smart phone (e.g., so that the user is aware of the current conditions in the home). Accordingly, there may be no direct communication from the smart phone to the user interface **564**. Instead, the communication may occur via the microcontrol unit **560** and the firewall or directly from the user interface to the firewall. A user may therefore use their smart phone determine the temperature in the home or a part of the home (if there are multiple user interfaces or sensors throughout the home) and/or to manually turn the heat up or down by, e.g., a touch screen of the smart phone.

Reference is made to FIG. **7a**, which illustrates an example arrangement of multiple environmental control systems **600** and a system monitor **668**. The environmental control systems **600** may be similar in structure and operation to the system described above, and elements of the systems **600** that correspond to elements of the above systems are generally identified by corresponding reference numerals.

The environmental control systems **600** may be installed in various structures and in various units of a multi-unit structure. In this example, one environmental control system is installed in a detached dwelling structure **680**. Two environmental control systems are installed in different apartment units **684** in an apartment building **682**.

In each environmental control system **600**, a plurality of HVAC system devices (such as HVAC devices, ambient energy moving members, dampers, user interfaces etc.) are coupled to the control unit **606** through firewall **670**. In addition, system monitor **668** is coupled to control unit **606** through firewall **670**. One or more local user devices **6741** may be coupled to control unit **606** through local communication interface **664**. In addition, one or more external user devices **674e** may be coupled to control unit **606** through firewall **670** and, optionally, through system monitor **668**, allowing a user to control an environmental control system.

Accordingly, a person located with apartment unit **684a** may use their smartphone, computer or the like to control the HVAC system in apartment unit **684a**. Similarly, a person located with apartment unit **684b** may use their smartphone, computer or the like to control the HVAC system in apartment unit **684b**. At times, the user may be outside their dwelling unit (e.g., apartment unit **684a**) or outside the apartment building. In such a case, the user may use the same device or an alternate smartphone, computer or the like to operate control unit **606** for their dwelling (e.g., apartment unit **684a**) by accessing the control unit in their apartment unit **684a** via firewall **670**.

Accordingly, a particular user device may be a local user device **6741** when it is physically present within a structure and coupled to a controller through a local communication interface and an external user device **674e** at other times when it is coupled to the controller through an external communication interface.

Typically, access to an environmental control system will be limited to users that reside in, work or otherwise have an interest in a location. In some cases, a user may be able to observe the status and control an entire environmental control system for a structure. In other embodiments, particular users may be able to observe and control only aspects of an environmental control system relevant to one or more selected locations within a structure.

Reference is made to FIG. **7b**, which illustrates another example arrangement of multiple environmental control systems **600** and a system monitor **668**. In this arrangement, the HVAC devices in each environmental control system **600** communicate with their respective control unit through system communication interface **662** inside the firewall **570**. System monitor **668** is coupled to control unit **506** through firewall **570**.

Reference is made to FIG. **7c**, which illustrates another example arrangement of multiple environmental control systems **600** and a system monitor **668**. In this arrangement, the HVAC devices in each environmental control system **600** are coupled to the control unit through local communication interface **664**.

The coupling of HVAC devices to a control unit may vary from one environmental control system to the next, as is illustrated in FIG. **7a-7c**. In various arrangements, HVAC devices may be coupled to a control unit in different ways, with varying types and levels of security.

User devices **674** may be programmed or configured with a graphical user interface that allows a user to view status information regarding ambient conditions in a structure and to view the operating status and conditions of an environmental control system. For example, a user may be able to

view ambient temperature and other environmental conditions in locations where an environmental sensor is installed. A user may be able to see whether a particular HVAC system or ambient energy distribution system is operating and, if so, its specific operating mode. User may also be able to enter target temperature information for locations.

System monitor **668** may be in communication with, and may control, a plurality of environmental control systems. For example, in a multi-unit structure, such as an apartment building with multiple apartment units or a commercial building with multiple commercial units, an environmental control system may be installed in each unit. The control unit in each environmental control system may be coupled to and in communication with a system monitor **668**, which may control the operation of the environmental control systems. For example, system monitor **668** may be configured to adapt the operation of environmental control systems based on current or expected weather, current or expected electrical power availability or cost or other factors. In some embodiments, the system monitor **668**, may track weather and send a monitor control signal to some or all control units to reduce or stop the use of heating or air conditioning functions in their respective environment control systems. This may be done, for example, if the system monitor expects the outside temperature to fall from a relatively high temperature to a relatively low temperature where air conditioning will not be required. The system monitor may instruct the control unit in each HVAC system in a structure to stop use of any air conditioning element in its respective HVAC device for a period of time or until the following day or until use of air conditioning is permitted by the system monitor. This will typically result in reduced energy consumption in the structure as a whole. System monitor **668** may also gather and analyze usage data from each control unit regarding the operation of its respective environmental control system. A control unit in an environmental control system may increase usage of an ambient energy distribution system when the usage of heating or cooling functions in an HVAC system has been reduced by a system monitor. For example, a system monitor may limit the energy used by an HVAC system or by a group of HVAC systems in a multi-unit structure in order to reduce energy costs or to reduce peak power consumption across multiple environmental control systems, in a multi-unit structure or across multiple environmental control systems in multiple structures.

Environmental sensor **512** may include a temperature sensor **560** and a humidity sensor **562**.

In other embodiments, an environmental sensor may include other sensors, a sunlight sensor, a dust sensor, particle sensor, ion sensor, gas sensor (which may detect one or more specific gases such as carbon monoxide or radon).

Numerous specific details are set forth herein in order to provide a thorough understanding of the exemplary embodiments described herein. However, it will be understood by those of ordinary skill in the art that these embodiments may be practiced without these specific details. In other instances, well-known methods, procedures and components have not been described in detail so as not to obscure the description of the embodiments. Furthermore, this description is not to be considered as limiting the scope of these embodiments in any way, but rather as merely describing the implementation of these various embodiments.

The invention claimed is:

1. An environmental control system for a structure, the environmental control system comprising:

- a) an HVAC system including an HVAC device and a primary distribution system, the primary distribution system comprising a primary thermal transfer conduit system comprising a supply end in thermal communication with the HVAC device and at least two primary HVAC registers in thermal communication with corresponding locations in the structure including a first primary HVAC register in a first location and a second primary HVAC register in a second location;
- b) an ambient energy distribution system in thermal communication with the first and second locations, the ambient energy distribution system comprising an ambient thermal transfer conduit system that is fluidically separate from the primary thermal transfer conduit system, the ambient thermal transfer conduit system comprises a liquid conduit, whereby the ambient energy distribution system uses a liquid in the liquid conduit to transfer energy between the first location and the second location; and
- c) a control unit coupled to the ambient energy distribution system to control transfer of energy between the first and second locations through the ambient energy distribution system.
2. The environmental control system of claim 1, wherein the ambient energy distribution system is physically isolated from the primary distribution system wherein treated air from the HVAC device enters the supply end of the primary thermal transfer conduit system and exits the primary thermal transfer conduit system into the structure through the first and second primary HVAC registers in the absence of passing through the ambient thermal transfer conduit system.
3. The environmental control system of claim 1, wherein the HVAC system includes a first air moving member in fluid communication with the primary distribution system, and the ambient energy distribution system includes a liquid pump operable independently of the first air moving member by the control unit to transfer energy between the first and second locations.
4. The environmental control system of claim 3, wherein the ambient energy moving member is actuated in response to an actuation condition.
5. The environmental control system of claim 4, wherein the actuation condition includes at least one of the following conditions:
- the ambient temperatures in the first and second locations differ by a selected temperature difference;
  - the ambient temperature in the first location is higher than the target temperature for the first location;
  - the ambient temperature in the second location is lower than the target temperature for the second location; and
  - the ambient temperature in the first location is higher than the target temperature for the first location and the ambient temperature in the second location is lower than the target temperature for the second location.
6. The environmental control system of claim 4, wherein the actuation condition includes at least one of the following conditions:
- the ambient temperature in the first location is higher than the target temperature for the first location;
  - the ambient temperature in the second location is lower than the target temperature for the second location; and
  - the ambient temperature in the first location is higher than the target temperature for the second location, wherein actuating the ambient energy moving member results in heat energy from the first location being transferred to the second location.

7. The environmental control system of claim 4, wherein the actuation condition includes at least one of the following conditions:
- the ambient temperature in the first location is higher than the target temperature for the first location; and
  - the ambient temperature in the second location is lower than the target temperature for the second location.
8. The environmental control system of claim 4, wherein the actuation condition includes at least one of the following conditions:
- the ambient temperature in the first location is lower than the target temperature for the first location;
  - the ambient temperature in the second location is higher than the target temperature for the second location; and
  - the ambient temperature in the first location is lower than the target temperature for the second location, wherein actuating the ambient energy moving member results in cooler air from the first location being transferred to the second location.
9. The environmental control system of claim 4, wherein the actuation condition includes at least one of the following conditions:
- the ambient temperature in the first location is lower than the target temperature for the first location; and
  - the ambient temperature in the second location is higher than the target temperature for the second location.
10. The environmental control system of claim 1, wherein the ambient energy distribution system includes:
- a liquid loop comprising a liquid pump and the liquid conduit extends between the first and second locations to carry a liquid between the first and second locations; and
  - an ambient heat exchanger in each location coupled to the liquid conduit to transfer heat energy between air in the location and the liquid, wherein the liquid pump is operable by the control unit to transfer heat energy between the first and second locations by moving the liquid through the liquid conduit.
11. The environmental control system of claim 1, wherein the first location is a first room in the structure and the second location is in a second room in the structure.
12. The environmental control system of claim 1, wherein the first location and the second location are different regions in a room in the structure.
13. The environmental control system of claim 12, wherein the first location is a first region in the room and the second location is a second region in the room, and the first region is located above the second region.
14. The environmental control system of claim 1, further comprising a first environmental sensor in the first location and a second environmental sensor in the second location, and wherein each environmental sensor is coupled to the control unit to provide ambient environmental information to the control unit corresponding to the respective location in which the environmental sensor is located.
15. The environmental control system of claim 14, wherein each environmental sensor includes a temperature sensor and wherein the control unit receives ambient temperature information from each environmental sensor reporting an ambient temperature in the respective location in which the environmental sensor is located.
16. The environmental control system of claim 1, further comprising a first user interface for receiving a target temperature for the first location and the second location.

## 21

17. The environmental control system of claim 1, further comprising a first user interface for receiving a target temperature for the first location and a second user interface for receiving a target temperature for the second location.

18. The environmental control system of claim 1, wherein the control unit is configured with a target temperature for the first location and with a target temperature for the second location.

19. The environmental control system of claim 1 wherein the structure has a third location:

the ambient energy distribution system is in thermal communication with the first, second and third locations, the ambient energy distribution system comprising an ambient thermal transfer conduit system that is located within walls of the structure and that is fluidically separate from the primary thermal transfer conduit system and the environmental control system further comprises an environmental sensor in each of the first, second and third locations wherein each environmental sensor is coupled to the control unit to provide ambient environmental information to the control unit corresponding to the respective location in which the environmental sensor is located and wherein the control

## 22

unit transfers energy between one of the first, second and third locations and another of the first, second and third locations through the ambient energy distribution system based on the ambient environmental information provided to the control unit.

20. The environmental control system of claim 19, wherein the ambient energy distribution system includes a controllable damper, wherein the controllable damper is coupled to the control unit and is adjusted by a signal issued by the control unit to regulate the transfer of heat energy between the one of the first, second and third locations and the another of the first, second and third locations.

21. The environmental control system of claim 19, wherein an ambient air ducting extends between the first, second and third locations and further includes a controllable damper in the ambient air ducting between the first and second locations, wherein the controllable damper is coupled to the control unit and is adjusted to fluidically isolate the first location from the second and third locations to substantially restrict airflow between the first location and the second and third locations.

\* \* \* \* \*