

(12) **United States Patent**
Conrad et al.

(10) **Patent No.:** **US 10,506,904 B2**
(45) **Date of Patent:** ***Dec. 17, 2019**

(54) **HANDHELD SURFACE CLEANING APPARATUS**

9/327; A47L 9/1666; A47L 5/225; A47L 9/127; A47L 9/1683; A47L 9/1641; A47L 9/1608; B01D 46/2403; B01D 2265/06; B04C 9/00

(71) Applicant: **Omachron Intellectual Property Inc.,**
Hampton (CA)

(Continued)

(72) Inventors: **Wayne Ernest Conrad,** Hampton (CA); **Nina Conrad,** Hampton (CA); **Dave Petersen,** Hampton (CA)

(56) **References Cited**

U.S. PATENT DOCUMENTS

911,258 A 2/1909 Gotthilf
1,600,762 A 9/1926 Hawley

(Continued)

(73) Assignee: **Omachron Intellectual Property Inc.,**
Hampton, Ontario (CA)

FOREIGN PATENT DOCUMENTS

(*) Notice: Subject to any disclaimer, the term of this patent is extended or adjusted under 35 U.S.C. 154(b) by 218 days.

AU 112778 A 4/1940
AU 2008200579 A1 8/2008

(Continued)

This patent is subject to a terminal disclaimer.

OTHER PUBLICATIONS

(21) Appl. No.: **15/642,863**

English machine translation of WO2016173466A1 published on Nov. 3, 2016.

(22) Filed: **Jul. 6, 2017**

(Continued)

(65) **Prior Publication Data**

US 2019/0008346 A1 Jan. 10, 2019

Primary Examiner — Minh Chau T Pham

(74) *Attorney, Agent, or Firm* — Philip C. Mendes da Costa; Bereskin & Parr LLP/S.E.N.C.R.L., s.r.l.

(51) **Int. Cl.**

A47L 5/24 (2006.01)
A47L 9/32 (2006.01)

(Continued)

(57) **ABSTRACT**

A hand vacuum cleaner has an air flow path extending from a dirty air inlet to a clean air outlet. An air treatment member is positioned in the air flow path. A removable pre-motor filter assembly is positioned downstream of the air treatment member and upstream of a suction motor, the pre-motor filter assembly comprising a pre-motor filter and a filter support member, the filter support member having an outlet conduit wherein a terminal end of the outlet conduit extends at a first angle to a direction of air flow through the outlet conduit.

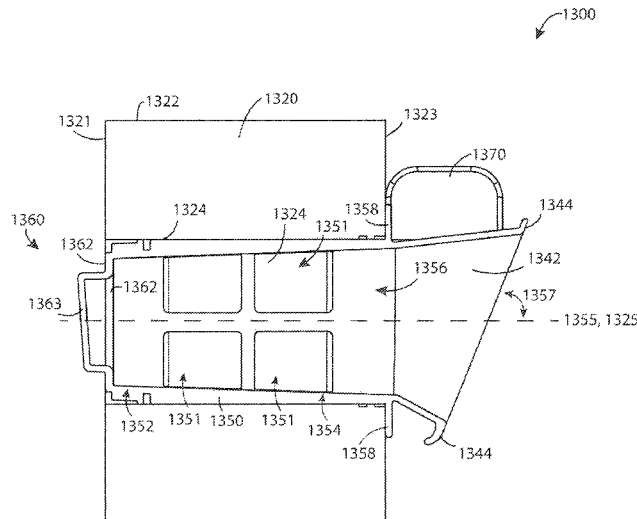
(52) **U.S. Cl.**

CPC *A47L 9/127* (2013.01); *A47L 5/24* (2013.01); *A47L 9/1608* (2013.01); (Continued)

(58) **Field of Classification Search**

CPC A47L 5/24; A47L 9/32; A47L 9/16; A47L 5/36; A47L 5/22; A47L 9/1625; A47L

18 Claims, 50 Drawing Sheets



(51)	Int. Cl.		4,218,805 A	8/1980	Brazier
	<i>A47L 9/16</i>	(2006.01)	4,236,903 A	12/1980	Malmsten
	<i>A47L 5/36</i>	(2006.01)	4,307,485 A	12/1981	Dessig, III
	<i>A47L 5/22</i>	(2006.01)	4,373,228 A	2/1983	Dyson
	<i>B04C 9/00</i>	(2006.01)	4,382,804 A	5/1983	Mellor
	<i>A47L 9/12</i>	(2006.01)	4,409,008 A	10/1983	Solymes
	<i>A47L 9/28</i>	(2006.01)	4,486,207 A	12/1984	Baillie
	<i>B01D 50/00</i>	(2006.01)	4,494,270 A	1/1985	Ritzau et al.
	<i>B01D 45/16</i>	(2006.01)	4,523,936 A	6/1985	Disanza, Jr.
	<i>B01D 46/24</i>	(2006.01)	4,678,588 A	7/1987	Shortt
	<i>B01D 46/00</i>	(2006.01)	4,700,429 A	10/1987	Martin et al.
	<i>H01M 2/10</i>	(2006.01)	4,744,958 A	5/1988	Pircon
(52)	U.S. Cl.		4,778,494 A	10/1988	Patterson
	CPC	<i>A47L 9/1625</i> (2013.01); <i>A47L 9/1641</i>	4,826,515 A	5/1989	Dyson
		(2013.01); <i>A47L 9/1683</i> (2013.01); <i>A47L</i>	D303,173 S	8/1989	Miyamoto et al.
		<i>9/2884</i> (2013.01); <i>B01D 45/16</i> (2013.01);	4,853,008 A	8/1989	Dyson
		<i>B01D 46/0004</i> (2013.01); <i>B01D 46/2403</i>	4,853,011 A	8/1989	Dyson
		(2013.01); <i>B01D 50/002</i> (2013.01); <i>B04C 9/00</i>	4,853,111 A	8/1989	MacArthur et al.
		(2013.01); <i>H01M 2/1022</i> (2013.01); <i>H01M</i>	4,905,342 A	3/1990	Ataka
		<i>2/1055</i> (2013.01); <i>B01D 2265/06</i> (2013.01);	4,944,780 A	7/1990	Usmani
		<i>B01D 2279/55</i> (2013.01); <i>B04C 2009/002</i>	4,980,945 A	1/1991	Bewley
		(2013.01); <i>H01M 2220/30</i> (2013.01)	5,054,157 A	10/1991	Werner et al.
(58)	Field of Classification Search		5,078,761 A	1/1992	Dyson
	USPC	15/353, 329, 327.2, 344, 352, 328;	5,080,697 A	1/1992	Finke
		55/DIG. 3	5,090,976 A	2/1992	Dyson
	See application file for complete search history.		5,129,125 A	7/1992	Gamou et al.
(56)	References Cited		5,224,238 A	7/1993	Bartlett
	U.S. PATENT DOCUMENTS		5,230,722 A	7/1993	Yonkers
	1,797,812 A	3/1931	5,254,019 A	10/1993	Noschese
	1,898,608 A	2/1933	5,267,371 A	12/1993	Soler et al.
	1,937,765 A	12/1933	5,287,591 A	2/1994	Rench et al.
	2,015,464 A	9/1935	5,307,538 A	5/1994	Rench et al.
	2,152,114 A	3/1939	5,309,600 A	5/1994	Weaver et al.
	2,542,634 A	2/1951	5,309,601 A	5/1994	Hampton et al.
	2,678,110 A	5/1954	5,347,679 A	9/1994	Saunders et al.
	2,731,102 A	1/1956	5,363,535 A	11/1994	Rench et al.
	2,811,219 A	10/1957	5,467,835 A	11/1995	Obermeier et al.
	2,846,024 A	8/1958	5,481,780 A	1/1996	Daneshvar
	2,913,111 A	11/1959	5,515,573 A	5/1996	Frey
	2,917,131 A	12/1959	5,599,365 A	2/1997	Alday et al.
	2,937,713 A	5/1960	D380,033 S	6/1997	Theiss et al.
	2,942,691 A	6/1960	5,709,007 A	1/1998	Chiang
	2,942,692 A	6/1960	5,755,096 A	5/1998	Holleyman
	2,946,451 A	7/1960	5,815,878 A	10/1998	Murakami et al.
	2,952,330 A	9/1960	5,815,881 A	10/1998	Sjoegreen
	2,981,369 A	4/1961	5,858,038 A	1/1999	Dyson et al.
	3,032,954 A	5/1962	5,858,043 A	1/1999	Geise
	3,085,221 A	4/1963	5,893,938 A	4/1999	Dyson et al.
	3,130,157 A	4/1964	5,935,279 A	8/1999	Kilstrom
	3,200,568 A	8/1965	5,950,274 A	9/1999	Kilstrom
	3,204,772 A	9/1965	5,970,572 A	10/1999	Thomas
	3,217,469 A	11/1965	6,071,095 A	6/2000	Verkaart
	3,269,097 A	8/1966	6,071,321 A	6/2000	Trapp et al.
	3,320,727 A	5/1967	6,080,022 A	6/2000	Shaberman et al.
	3,372,532 A	3/1968	6,113,663 A	9/2000	Liu
	3,426,513 A	2/1969	6,122,796 A	9/2000	Downham et al.
	3,518,815 A	7/1970	6,195,835 B1	3/2001	Song et al.
	3,530,649 A	9/1970	6,210,469 B1	4/2001	Tokar
	3,543,325 A	12/1970	6,221,134 B1	4/2001	Conrad et al.
	3,561,824 A	2/1971	6,228,260 B1	5/2001	Conrad et al.
	3,582,616 A	6/1971	6,231,645 B1	5/2001	Conrad et al.
	3,675,401 A	7/1972	6,251,296 B1	6/2001	Conrad et al.
	3,684,093 A	8/1972	6,260,234 B1	7/2001	Wright et al.
	3,822,533 A	7/1974	6,345,408 B1	2/2002	Nagai et al.
	3,898,068 A	8/1975	6,406,505 B1	6/2002	Oh et al.
	3,933,450 A	1/1976	6,434,785 B1	8/2002	Vandenbelt et al.
	3,988,132 A	10/1976	6,440,197 B1	8/2002	Conrad et al.
	3,988,133 A	10/1976	6,484,350 B2	11/2002	Yung
	4,097,381 A	6/1978	6,502,278 B2	1/2003	Oh et al.
	4,187,088 A	2/1980	6,514,131 B1	2/2003	Reich et al.
			6,519,810 B2	2/2003	Kim
			6,531,066 B1	3/2003	Saunders et al.
			6,553,612 B1	4/2003	Dyson et al.
			6,553,613 B2	4/2003	Onishi et al.
			6,560,818 B1	5/2003	Hasko
			6,562,093 B2	5/2003	Oh
			6,581,239 B1	6/2003	Dyson et al.
			6,599,338 B2	7/2003	Oh et al.
			6,599,350 B1	7/2003	Rockwell et al.

(56)

References Cited

U.S. PATENT DOCUMENTS

6,613,316	B2	9/2003	Sun et al.	7,887,612	B2	2/2011	Conrad
6,623,539	B2	9/2003	Lee et al.	7,922,794	B2	4/2011	Morphey
6,625,845	B2	9/2003	Matsumoto et al.	7,931,716	B2	4/2011	Oakham
6,640,385	B2	11/2003	Oh et al.	7,938,871	B2	5/2011	Lloyd
6,648,934	B2	11/2003	Choi et al.	7,958,598	B2	6/2011	Yun et al.
6,662,403	B2	12/2003	Oh	7,979,959	B2	7/2011	Courtney
6,712,868	B2	3/2004	Murphy et al.	7,996,956	B2	8/2011	Wood et al.
6,732,403	B2	5/2004	Moore et al.	8,021,453	B2	9/2011	Howes
6,746,500	B1	6/2004	Park et al.	8,028,373	B2	10/2011	Rowntree
6,775,882	B2	8/2004	Murphy et al.	8,048,180	B2	11/2011	Oh et al.
6,782,583	B2	8/2004	Oh	8,062,398	B2	11/2011	Luo et al.
6,782,585	B1	8/2004	Conrad et al.	8,074,321	B2	12/2011	Fry et al.
6,810,558	B2	11/2004	Lee	8,100,999	B2	1/2012	Ashbee et al.
6,818,036	B1	11/2004	Seaman	8,101,001	B2	1/2012	Qian
6,833,015	B2	12/2004	Oh et al.	8,117,712	B2	2/2012	Dyson et al.
6,868,578	B1	3/2005	Kasper et al.	8,146,201	B2	4/2012	Conrad
6,874,197	B1	4/2005	Conrad et al.	8,150,907	B2	4/2012	Otsuka et al.
6,896,711	B2	5/2005	Oh	8,151,407	B2	4/2012	Conrad
6,896,719	B2	5/2005	Coates et al.	8,152,877	B2	4/2012	Greene
6,901,625	B2	6/2005	Yang et al.	8,156,609	B2	4/2012	Milne et al.
6,925,680	B2	8/2005	Oh	8,161,599	B2	4/2012	Griffith et al.
6,929,516	B2	8/2005	Brochu et al.	8,206,482	B2	6/2012	Williams et al.
6,952,680	B1	10/2005	Melby et al.	8,225,456	B2	7/2012	Håkan et al.
6,968,596	B2	11/2005	Oh et al.	8,347,455	B2	1/2013	Dyson et al.
6,976,885	B2	12/2005	Lord	8,444,731	B2	5/2013	Gomiciaga-Pereda et al.
7,074,248	B2	7/2006	Jin et al.	8,484,799	B2	7/2013	Conrad
7,113,847	B2	9/2006	Chmura et al.	8,510,907	B2	8/2013	Conrad
7,117,973	B2	10/2006	Graefenstein	8,544,143	B2	10/2013	Hwang et al.
7,128,770	B2	10/2006	Oh et al.	8,549,703	B2	10/2013	Smith
7,152,276	B2	12/2006	Jin et al.	8,578,555	B2	11/2013	Conrad
7,160,346	B2	1/2007	Park	8,595,895	B2	12/2013	Smith
7,162,770	B2	1/2007	Davidshofer	8,607,407	B2	12/2013	Conrad
7,175,682	B2	2/2007	Nakai et al.	8,657,904	B2	2/2014	Smith
7,181,803	B2	2/2007	Park et al.	8,673,487	B2	3/2014	Churchill
7,198,656	B2	4/2007	Takemoto et al.	8,713,751	B2	5/2014	Conrad
7,222,393	B2	5/2007	Kaffenberger et al.	8,813,305	B2	8/2014	Conrad
7,247,181	B2	7/2007	Hansen et al.	8,869,345	B2	10/2014	Conrad
7,272,872	B2	9/2007	Choi	8,918,952	B2	12/2014	Rowntree
7,278,181	B2*	10/2007	Harris	8,945,258	B2	2/2015	Smith
				8,979,960	B2	3/2015	Smith
				9,005,324	B2	4/2015	Smith
				9,005,325	B2	4/2015	Smith
				9,095,245	B2	8/2015	Conrad
				9,144,358	B2	9/2015	Smith
				9,192,269	B2	11/2015	Conrad
				9,204,773	B2	12/2015	Conrad
				9,492,045	B2	11/2016	Conrad
				9,516,979	B2	12/2016	Gidwell
				9,675,218	B2	6/2017	Kim et al.
				9,711,986	B2	7/2017	Sunderland et al.
				9,962,047	B2	5/2018	Brown et al.
				9,962,048	B2	5/2018	Conrad et al.
				9,986,880	B2	6/2018	Conrad
				10,117,550	B1	11/2018	Conrad
				10,238,249	B2	3/2019	Brown et al.
				2001/0018865	A1	9/2001	Wegelin et al.
				2002/0011050	A1	1/2002	Hansen et al.
				2002/0011053	A1	1/2002	Oh
				2002/0062531	A1	5/2002	Oh
				2002/0062632	A1	5/2002	Oh
				2002/0066262	A1	6/2002	Oh
				2002/0088208	A1	7/2002	Lukac et al.
				2002/0112315	A1	8/2002	Conrad
				2002/0134059	A1	9/2002	Oh
				2002/0134238	A1	9/2002	Conrad et al.
				2002/0178535	A1	12/2002	Oh et al.
				2002/0178698	A1	12/2002	Oh et al.
				2002/0178699	A1	12/2002	Oh
				2003/0046910	A1	3/2003	Lee et al.
				2003/0066273	A1	4/2003	Choi et al.
				2003/0106180	A1	6/2003	Tsen
				2003/0159238	A1	8/2003	Oh
				2003/0159411	A1	8/2003	Hansen et al.
				2003/0167591	A1	9/2003	Oh
				2003/0200736	A1	10/2003	Ni
				2004/0010885	A1	1/2004	Hitzelberger et al.
				2004/0025285	A1	2/2004	McCormick et al.
				2004/0098828	A1	5/2004	Oh
				2004/0107530	A1	6/2004	Lee
7,288,129	B2	10/2007	Oh et al.				
7,341,611	B2	3/2008	Greene et al.				
7,354,468	B2	4/2008	Arnold et al.				
7,370,387	B2	5/2008	Walker et al.				
7,377,007	B2	5/2008	Best				
7,377,953	B2	5/2008	Oh				
7,386,915	B2	6/2008	Blocker et al.				
7,395,579	B2	7/2008	Oh				
7,448,363	B1	11/2008	Rasmussen et al.				
7,449,040	B2	11/2008	Conrad et al.				
7,485,164	B2	2/2009	Jeong et al.				
7,488,363	B2	2/2009	Jeong et al.				
7,547,337	B2	6/2009	Oh et al.				
7,547,338	B2	6/2009	Kim et al.				
7,563,298	B2	7/2009	Oh				
7,565,853	B2	7/2009	Arnold et al.				
7,588,616	B2	9/2009	Conrad et al.				
7,597,730	B2	10/2009	Yoo et al.				
7,628,831	B2	12/2009	Gomiciaga-Pereda et al.				
7,640,624	B2	1/2010	Crouch et al.				
7,645,309	B2	1/2010	Jeong et al.				
7,686,861	B2	3/2010	Oh				
7,691,161	B2	4/2010	Oh et al.				
7,708,789	B2	5/2010	Fester				
7,717,973	B2	5/2010	Oh et al.				
7,740,676	B2	6/2010	Burnham et al.				
7,770,256	B1	8/2010	Fester				
7,776,120	B2	8/2010	Conrad				
7,779,506	B2	8/2010	Kang et al.				
7,780,753	B2	8/2010	Lang				
7,803,207	B2	9/2010	Conrad				
7,805,804	B2	10/2010	Loebig				
7,811,349	B2	10/2010	Nguyen				
7,867,308	B2	1/2011	Conrad				
7,882,593	B2	2/2011	Beskow et al.				

A47L 9/02
15/353

(56)

References Cited

U.S. PATENT DOCUMENTS

2004/0112022	A1	6/2004	Vuijk	2009/0205298	A1	8/2009	Hyun et al.
2004/0134022	A1	7/2004	Murphy et al.	2009/0209666	A1	8/2009	Hellberg et al.
2004/0163206	A1	8/2004	Oh	2009/0265877	A1	10/2009	Dyson et al.
2004/0200029	A1	10/2004	Jin et al.	2009/0282639	A1	11/2009	Dyson et al.
2004/0216264	A1	11/2004	Shaver et al.	2009/0300874	A1	12/2009	Tran et al.
2004/0231093	A1	11/2004	Oh	2009/0300875	A1	12/2009	Inge et al.
2004/0237248	A1	12/2004	Oh et al.	2009/0305862	A1	12/2009	Yoo
2005/0081321	A1	4/2005	Milligan et al.	2009/0307564	A1	12/2009	Vedantham et al.
2005/0115409	A1	6/2005	Conrad	2009/0307863	A1	12/2009	Milne et al.
2005/0132528	A1	6/2005	Yau	2009/0307864	A1	12/2009	Dyson
2005/0198769	A1	9/2005	Lee et al.	2009/0307866	A1	12/2009	Witter et al.
2005/0198770	A1	9/2005	Jung et al.	2009/0308254	A1	12/2009	Oakham
2005/0252179	A1	11/2005	Oh et al.	2009/0313958	A1	12/2009	Gomiciaga-Pereda et al.
2005/0252180	A1	11/2005	Oh et al.	2009/0313959	A1	12/2009	Gomiciaga-Pereda et al.
2006/0037172	A1	2/2006	Choi	2010/0045215	A1	2/2010	Hawker et al.
2006/0042206	A1	3/2006	Arnold et al.	2010/0083459	A1	4/2010	Beskow et al.
2006/0090290	A1	5/2006	Lau	2010/0132319	A1	6/2010	Ashbee et al.
2006/0102005	A1	5/2006	Oh et al.	2010/0154150	A1	6/2010	McLeod
2006/0123590	A1	6/2006	Fester	2010/0154367	A1*	6/2010	Luo A47L 5/362 55/337
2006/0137304	A1	6/2006	Jeong et al.	2010/0175217	A1	7/2010	Conrad
2006/0137306	A1	6/2006	Jeong et al.	2010/0212104	A1	8/2010	Conrad
2006/0137309	A1	6/2006	Jeong et al.	2010/0224073	A1	9/2010	Oh et al.
2006/0137314	A1	6/2006	Conrad et al.	2010/0229321	A1	9/2010	Dyson et al.
2006/0156508	A1	7/2006	Khalil	2010/0229322	A1	9/2010	Conrad
2006/0162298	A1	7/2006	Oh et al.	2010/0229324	A1	9/2010	Conrad
2006/0162299	A1	7/2006	North	2010/0229328	A1	9/2010	Conrad
2006/0168922	A1	8/2006	Oh	2010/0236016	A1	9/2010	Tran
2006/0168923	A1	8/2006	Lee et al.	2010/0242210	A1	9/2010	Conrad
2006/0207055	A1	9/2006	Ivarsson et al.	2010/0243158	A1	9/2010	Conrad
2006/0207231	A1	9/2006	Arnold	2010/0293745	A1	11/2010	Coburn
2006/0230715	A1	10/2006	Oh et al.	2010/0299865	A1	12/2010	Conrad
2006/0230723	A1	10/2006	Kim et al.	2010/0299866	A1	12/2010	Conrad
2006/0230724	A1	10/2006	Han et al.	2011/0023261	A1	2/2011	Proffitt, II et al.
2006/0236663	A1	10/2006	Oh	2011/0146024	A1	6/2011	Conrad
2006/0254226	A1	11/2006	Jeon	2011/0168332	A1	7/2011	Bowe et al.
2006/0277711	A1	12/2006	Hong et al.	2011/0219570	A1	9/2011	Conrad
2006/0278081	A1	12/2006	Han et al.	2011/0219575	A1	9/2011	Conrad
2006/0288516	A1	12/2006	Sawalski	2011/0219576	A1	9/2011	Conrad
2007/0033765	A1	2/2007	Walker et al.	2011/0289719	A1	12/2011	Han et al.
2007/0039292	A1	2/2007	Oh et al.	2011/0308038	A1	12/2011	Rowntree
2007/0067943	A1	3/2007	Makarov	2011/0314630	A1	12/2011	Conrad
2007/0067944	A1	3/2007	Kitamura et al.	2012/0060322	A1	3/2012	Simonelli et al.
2007/0077810	A1	4/2007	Gogel et al.	2012/0079671	A1	4/2012	Stickney et al.
2007/0079473	A1	4/2007	Min et al.	2012/0216361	A1	8/2012	Millington et al.
2007/0079585	A1	4/2007	Oh et al.	2012/0222245	A1	9/2012	Conrad
2007/0084159	A1	4/2007	Oh et al.	2012/0222260	A1	9/2012	Conrad
2007/0095028	A1	5/2007	Kim et al.	2012/0222262	A1	9/2012	Conrad
2007/0095029	A1	5/2007	Min et al.	2012/0304417	A1	12/2012	Riley
2007/0136984	A1	6/2007	Hsu	2013/0091654	A1	4/2013	Smith
2007/0209334	A1	9/2007	Conrad	2013/0091656	A1	4/2013	Smith
2007/0209335	A1	9/2007	Conrad	2013/0091657	A1	4/2013	Smith
2007/0271724	A1	11/2007	Hakan et al.	2013/0091658	A1	4/2013	Smith
2007/0289089	A1	12/2007	Yacobi	2013/0091810	A1	4/2013	Smith
2007/0289266	A1	12/2007	Oh	2013/0091812	A1	4/2013	Smith
2008/0040883	A1	2/2008	Beskow et al.	2013/0091813	A1	4/2013	Smith
2008/0047091	A1	2/2008	Nguyen	2013/0091814	A1	4/2013	Smith
2008/0134460	A1*	6/2008	Conrad A47L 5/24 15/335	2013/0207615	A1	8/2013	Sunderland et al.
2008/0134462	A1	6/2008	Jansen et al.	2013/0269147	A1	10/2013	Conrad
2008/0178416	A1	7/2008	Conrad	2014/0137362	A1	5/2014	Smith
2008/0178420	A1	7/2008	Conrad	2014/0137363	A1	5/2014	Wilson
2008/0190080	A1	8/2008	Oh et al.	2014/0137364	A1	5/2014	Stickney et al.
2008/0196194	A1	8/2008	Conrad	2014/0182080	A1	7/2014	Lee et al.
2008/0196745	A1	8/2008	Conrad	2014/0208538	A1	7/2014	Visel et al.
2008/0256744	A1	10/2008	Rowntree et al.	2014/0237768	A1	8/2014	Conrad
2008/0289306	A1	11/2008	Han et al.	2014/0237956	A1	8/2014	Conrad
2008/0301903	A1	12/2008	Cunningham et al.	2014/0245564	A1	9/2014	Conrad
2009/0019663	A1	1/2009	Rowntree	2015/0135474	A1	5/2015	Gidwell
2009/0100633	A1	4/2009	Bates et al.	2015/0230677	A1	8/2015	Andrikanish
2009/0113659	A1	5/2009	Jeon et al.	2015/0297050	A1	10/2015	Marsh et al.
2009/0113663	A1	5/2009	Follows et al.	2016/0106285	A1	4/2016	Jenson
2009/0144932	A1	6/2009	Yoo	2016/0113455	A1	4/2016	Horvath et al.
2009/0165431	A1	7/2009	Oh	2016/0113460	A1	4/2016	Williams et al.
2009/0205160	A1	8/2009	Conrad	2016/0174785	A1*	6/2016	Conrad A47L 5/225 15/329
2009/0205161	A1	8/2009	Conrad	2016/0174786	A1	6/2016	Conrad
				2016/0174787	A1	6/2016	Conrad
				2016/0206162	A1	7/2016	Conrad
				2016/0206163	A1	7/2016	Conrad

(56)		References Cited					
U.S. PATENT DOCUMENTS				CN	101489455	A	7/2009
2016/0213212	A1	7/2016	Conrad	CN	101489457	A	7/2009
2016/0213213	A1	7/2016	Conrad	CN	101489461	A	7/2009
2016/0256023	A1	9/2016	Conrad	CN	201290642	Y	8/2009
2016/0316980	A1	11/2016	Conrad	CN	101657133	A	2/2010
2016/0367094	A1	12/2016	Conrad	CN	101700180	A	5/2010
2017/0079489	A1*	3/2017	Dimbylow	CN	101822506	A	9/2010
2017/0112343	A1	4/2017	Innes et al.	CN	101108081	B	10/2010
2017/0172362	A1	6/2017	Reimer et al.	CN	201683850	U	12/2010
2017/0188763	A1	7/2017	Hu	CN	1911151	B	4/2011
2017/0196419	A1	7/2017	Brown et al.	CN	101243959	B	6/2011
2017/0196420	A1	7/2017	Brown et al.	CN	101700180	B	8/2011
2017/0196421	A1	7/2017	Brown et al.	CN	102188208	A	9/2011
2017/0196422	A1	7/2017	Brown et al.	CN	102256523	A	11/2011
2017/0196423	A1	7/2017	Brown et al.	CN	202173358	U	3/2012
2017/0196424	A1	7/2017	Brown et al.	CN	101489455	B	6/2012
2017/0196425	A1	7/2017	Brown et al.	CN	101489457	B	6/2012
2017/0196426	A1	7/2017	Brown et al.	CN	1981688	B	7/2012
2017/0196427	A1	7/2017	Brown et al.	CN	101288572	B	7/2012
2017/0196428	A1	7/2017	Brown et al.	CN	202739907	U	2/2013
2017/0196429	A1	7/2017	Brown et al.	CN	202932850	U	5/2013
2017/0209007	A1	7/2017	Conrad et al.	CN	103169420	A	6/2013
2017/0215663	A1	8/2017	Conrad et al.	CN	101073480	B	5/2014
2017/0215664	A1	8/2017	Conrad et al.	CN	203724037	U	7/2014
2017/0265696	A1	9/2017	Conrad et al.	CN	101897558	B	9/2014
2017/0290476	A1	10/2017	Conrad	CN	102256523	B	11/2014
2017/0290477	A1	10/2017	Conrad	CN	203914775	U	11/2014
2017/0290478	A1	10/2017	Conrad	CN	104172986	A	12/2014
2017/0290479	A1	10/2017	Conrad	CN	204016180	U	12/2014
2017/0290480	A1	10/2017	Conrad	CN	204363891	U	6/2015
2017/0290481	A1	10/2017	Conrad	CN	104822301	A	8/2015
2018/0000303	A1	1/2018	Conrad et al.	CN	204581145	U	8/2015
2018/0184861	A1	7/2018	Brown et al.	CN	105816104	A	8/2016
				CN	205671986	U	11/2016
				CN	103784081	B	2/2017
				DE	875134	C	4/1953
				DE	9216071	U1	2/1993
				DE	4232382	C1	3/1994
				DE	10056935	C2	1/2003
				DE	10110581	C2	11/2003
				DE	69907201	T2	2/2004
				DE	60201666	T2	6/2006
				DE	60116336	T2	8/2006
				DE	60211663	T2	5/2007
				DE	102007011457	A1	10/2007
				DE	102004028677	B4	1/2008
				DE	602006000726	T2	4/2009
				DE	112007003039	T5	10/2009
				DE	112007003052	T5	1/2010
				DE	112010001135	T5	8/2012
				DE	112012000251	T5	10/2013
				DE	202010018047	U1	11/2013
				DE	102012211246	A1	1/2014
				DE	202010018084	U1	2/2014
				DE	202010018085	U1	2/2014
				EP	489498	A1	6/1992
				EP	493950	B1	4/1998
				EP	1200196	B1	6/2005
				EP	1779761	A2	5/2007
				EP	1815777	A1	8/2007
				EP	1955631	A1	8/2008
				EP	1677661	B1	1/2009
				EP	1594386	B1	4/2009
				EP	1955630	A3	10/2009
				EP	1676516	B1	1/2010
				EP	1629758	A3	2/2010
				EP	2012641	B1	8/2010
				EP	2223644	A2	9/2010
				EP	1955631	B1	11/2010
				EP	2308360	A2	4/2011
				EP	2223644	A3	3/2013
				EP	2581013	A1	4/2013
				EP	2220986	B1	3/2014
				EP	2223644	B1	3/2014
				EP	2848173	A1	3/2015
				EP	2308360	B1	6/2015
				FR	2812531	B1	11/2004
				GB	700791	A	12/1953
				GB	1111074	A	4/1968
FOREIGN PATENT DOCUMENTS							
AU	2008201597	A1	11/2008				
AU	2008200579	B2	10/2011				
AU	2008201597	B2	10/2011				
AU	2011211368	B2	9/2012				
CA	1077412	A1	5/1980				
CA	1218962	A1	3/1987				
CA	2450450	A1	12/2004				
CA	2484587	A1	4/2005				
CA	2620703	A1	8/2008				
CA	2628573	A1	10/2008				
CA	2731525	A1	10/2008				
CA	2438079	C	8/2009				
CA	2658014	A1	9/2010				
CA	2659212	A1	9/2010				
CA	2484587	C	1/2011				
CA	2730437	A1	9/2011				
CA	2593950	C	1/2013				
CA	2628573	C	8/2013				
CA	2620703	C	9/2013				
CA	2731525	C	1/2014				
CN	1336154	A	2/2002				
CN	1424688	A	6/2003				
CN	1434688	A	8/2003				
CN	1493244	A	5/2004				
CN	1626025	A	6/2005				
CN	1875846	A	12/2006				
CN	1875855	A	12/2006				
CN	1887437	A	1/2007				
CN	1895148	A	1/2007				
CN	1911151	A	2/2007				
CN	1981688	A	6/2007				
CN	101061932	A	10/2007				
CN	101073480	A	11/2007				
CN	101095604	A	1/2008				
CN	101108081	A	1/2008				
CN	101108106	A	1/2008				
CN	101108110	A	1/2008				
CN	101288572	A	10/2008				
CN	101448447	A	6/2009				
CN	101489453	A	7/2009				

(56)

References Cited

FOREIGN PATENT DOCUMENTS

GB	1436403	A	5/1976	WO	0217766	A2	3/2002
GB	2035787	B	10/1982	WO	2002017766	A3	3/2002
GB	2163703	B	1/1988	WO	0217766	A3	2/2003
GB	2268875	A	1/1994	WO	2004069021	A1	8/2004
GB	2307849	A	6/1997	WO	2005084511	A1	9/2005
GB	2282979	B	10/1997	WO	2006076363	A2	7/2006
GB	2365324	B	7/2002	WO	2006076363	A3	12/2006
GB	2440111	A	1/2008	WO	2006026414	A3	8/2007
GB	2465781	A	6/2010	WO	2008009883	A1	1/2008
GB	2441962	B	3/2011	WO	2008009888	A1	1/2008
GB	2465781	B	10/2012	WO	2008009890	A1	1/2008
GB	2466290	B	10/2012	WO	2008009891	A1	1/2008
GB	2508035	A	5/2014	WO	2008035032	A2	3/2008
GB	2508035	B	3/2015	WO	2008035032	A3	6/2008
JP	61131720	A	6/1986	WO	2008070969	A1	6/2008
JP	03176019	A	7/1991	WO	2008070970	A1	6/2008
JP	2000140533	A	5/2000	WO	2008070972	A1	6/2008
JP	2002085297	A	3/2002	WO	2008070973	A1	6/2008
JP	2003135335	A	5/2003	WO	2008070974	A1	6/2008
JP	2004313249	A	11/2004	WO	2008070975	A1	6/2008
JP	2005040246	A	2/2005	WO	2008088278	A2	7/2008
JP	2006102034	A	4/2006	WO	2008135708	A1	11/2008
JP	2006272019	A	10/2006	WO	2009026709	A1	3/2009
JP	2008206613	A	9/2008	WO	2010102396	A1	9/2010
JP	4352065	B2	10/2009	WO	2010142968	A1	12/2010
JP	2009261501	A	11/2009	WO	2010142969	A1	12/2010
JP	2010081968	A	4/2010	WO	2010142970	A1	12/2010
JP	2010178773	A	8/2010	WO	2010142971	A1	12/2010
JP	2010220632	A	10/2010	WO	2010142971	A1	12/2010
JP	2011189132	A	9/2011	WO	2010147247	A1	12/2010
JP	2011189133	A	9/2011	WO	2011054106	A1	5/2011
JP	2013086228	A	5/2013	WO	2012042240	A1	4/2012
JP	2016127893	A	7/2016	WO	2012117231	A1	9/2012
KR	1020010024752	A	3/2001	WO	2014001496	A1	1/2014
KR	1020010045598	A	6/2001	WO	2014131105	A1	9/2014
KR	1020020085478	A	11/2002	WO	2015129387	A1	9/2015
KR	1020040050174	A	6/2004	WO	2016065151	A1	4/2016
KR	1020040088978	A	10/2004	WO	2016095041	A1	6/2016
KR	1020050013696	A	2/2005	WO	2016173466	A1	11/2016
KR	1020050054551	A	6/2005	WO	2017046557	A1	3/2017
KR	100516420	B1	9/2005	WO	2017046559	A1	3/2017
KR	1020050091829	A	9/2005	WO	2017046560	A1	3/2017
KR	1020050091830	A	9/2005	WO	2017083497	A1	5/2017
KR	1020050091833	A	9/2005	WO	2017117679	A1	7/2017
KR	1020050091834	A	9/2005				
KR	1020050091835	A	9/2005				
KR	1020050091836	A	9/2005				
KR	1020050091837	A	9/2005				
KR	1020050091838	A	9/2005				
KR	1020050103343	A	10/2005				
KR	1020050108623	A	11/2005				
KR	1020060008365	A	1/2006				
KR	1020060112420	A	11/2006				
KR	1020060118795	A	11/2006				
KR	1020060118800	A	11/2006				
KR	1020060118801	A	11/2006				
KR	1020060118802	A	11/2006				
KR	1020060118803	A	11/2006				
KR	1020060119587	A	11/2006				
KR	1020060122249	A	11/2006				
KR	1020060125952	A	12/2006				
KR	1020060125954	A	12/2006				
KR	1020100084127	A	7/2010				
KR	1020110021554	A	3/2011				
NL	10681	C	11/1923				
NZ	565800	A	5/2009				
NZ	567297	A	7/2009				
WO	8002561	A1	11/1980				
WO	9627446	A1	9/1996				
WO	9720492	A1	6/1997				
WO	9809121	A1	3/1998				
WO	9843721	A1	10/1998				
WO	0107168	A1	2/2001				
WO	0147247	A2	6/2001				
WO	0147247	A3	11/2001				

OTHER PUBLICATIONS

English machine translation of WO2015129387A1 published on Sep. 3, 2015.

English machine translation of WO8002561A1 published on Nov. 27, 1980.

English machine translation of WO2010147247A1 published on Dec. 23, 2010.

English machine translation of NL10681C published on Nov. 17, 1923.

English machine translation of FR2812531B1 published on Nov. 5, 2004.

English machine translation of EP1815777A1 published on Aug. 8, 2007.

English machine translation of KR1020050054551A published on Jun. 10, 2005.

English machine translation of KR1020050013696A published on Feb. 5, 2005.

English machine translation of KR1020040088978A published on Oct. 20, 2004.

English machine translation of KR1020040050174A published on Jun. 16, 2004.

English machine translation of KR1020020085478A published on Nov. 16, 2002.

English machine translation of KR1020020067489A published on Aug. 22, 2002.

English machine translation of KR1020010045598A published on Jun. 5, 2001.

English machine translation of KR1020010024752A published on Mar. 26, 2001.

(56)

References Cited

OTHER PUBLICATIONS

English machine translation of DE602006000726T2 published on Apr. 16, 2009.

English machine translation of DE202010018085U1 published on Feb. 27, 2014.

English machine translation of DE202010018084U1 published on Feb. 27, 2014.

English machine translation of DE202010018047U1 published on Nov. 14, 2013.

English machine translation of DE112012000251T5 published on Oct. 17, 2013.

English machine translation of DE112010001135T5 published on Aug. 2, 2012.

English machine translation of DE112007003052T5 published on Jan. 14, 2010.

English machine translation of DE112007003039T5 published on Oct. 29, 2009.

English machine translation of DE102012211246A1 published on Jan. 2, 2014.

English machine translation of DE102007011457A1 published on Oct. 25, 2007.

English machine translation of DE102004028677B4 published on Jan. 10, 2008.

English machine translation of JP2013086228A published on May 13, 2013.

English machine translation of JP2011189133A published on Sep. 29, 2011.

English machine translation of JP2011189132A published on Sep. 29, 2011.

English machine translation of JP2010220632A published on Oct. 7, 2010.

English machine translation of JP2010178773A published on Aug. 19, 2010.

English machine translation of JP2010081968A published on Apr. 15, 2010.

English machine translation of JP2009261501A published on Nov. 12, 2009.

English machine translation of JP2008206613A published on Sep. 11, 2008.

English machine translation of JP2006272019A published on Oct. 12, 2006.

English machine translation of JP2006102034A published on Apr. 20, 2006.

English machine translation of JP2005040246A published on Feb. 17, 2005.

English machine translation of JP2003135335A published on May 13, 2003.

English machine translation of JP2002085297A published on Mar. 26, 2002.

English machine translation of JP2000140533A published on May 23, 2000.

English machine translation of CN205671986U published on Nov. 9, 2016.

English machine translation of CN204581145U published on Aug. 26, 2015.

English machine translation of CN204363891U published on Jun. 3, 2015.

English machine translation of CN204016180U published on Dec. 17, 2014.

English machine translation of DE69907201T2 published on Feb. 5, 2004.

English machine translation of JP61131720A published on Jun. 19, 1986.

English machine translation of DE60211663T2 published on May 10, 2007.

English machine translation of DE60201666T2 published on Jun. 1, 2006.

English machine translation of DE60116336T2 published on Aug. 31, 2006.

English machine translation of DE10110581C2 published on Nov. 13, 2003.

English machine translation of DE10056935C2 published on Jan. 16, 2003.

English machine translation of DE9216071U1 published on Feb. 25, 1993.

English machine translation of JP4352065B2 published on Oct. 28, 2009.

English machine translation of DE4232382C1 published on Mar. 24, 1994.

English machine translation of JP03176019A published on Jul. 31, 1991.

English machine translation of DE875134C published on Apr. 30, 1953.

English machine translation of CN203914775U published on Nov. 5, 2014.

English machine translation of CN203724037U published on Aug. 23, 2014.

English machine translation of CN202932850U published on Nov. 9, 2012.

English machine translation of CN202739907U published on Feb. 20, 2013.

English machine translation of CN202173358U published on Mar. 25, 2012.

English machine translation of CN201683850U published on Dec. 29, 2010.

English machine translation of CN105816104A published on Aug. 3, 2016.

English machine translation of CN104822301A published on Aug. 5, 2015.

English machine translation of CN104172986A published on Dec. 3, 2014.

English machine translation of CN103169420A published on Jun. 26, 2013.

English machine translation of CN102256523A published on Nov. 23, 2011.

English machine translation of CN102256523B published on Nov. 5, 2014.

English machine translation of CN102188208A published on Sep. 21, 2011.

English machine translation of CN101897558B published on Sep. 17, 2014.

English machine translation of CN101822506A published on Sep. 8, 2010.

English machine translation of CN101700180A published on May 5, 2010.

English machine translation of CN101700180B published on Aug. 24, 2011.

English machine translation of CN101657133A published on Feb. 24, 2010.

English machine translation of CN101489461A published on Jul. 22, 2009.

English machine translation of CN101489457A published on Jul. 22, 2009.

English machine translation of CN101489457B published on Jun. 27, 2012.

English machine translation of CN101489455A published on Jul. 22, 2009.

English machine translation of CN101489455B published on Jun. 27, 2012.

English machine translation of CN101489453A published on Jul. 22, 2009.

English machine translation of CN101448447A published on Jun. 3, 2009.

English machine translation of CN101288572A published on Oct. 22, 2008.

English machine translation of CN101288572B published on Jul. 4, 2012.

English machine translation of CN101243959B published on Jun. 15, 2011.

English machine translation of CN101108110A published on Jan. 23, 2008.

(56)

References Cited

OTHER PUBLICATIONS

- English machine translation of CN101108106A published on Jan. 23, 2008.
- English machine translation of CN101108081A published on Jan. 23, 2008.
- English machine translation of CN101108081B published on Oct. 27, 2010.
- English machine translation of CN101095604A published on Jan. 2, 2008.
- English machine translation of CN101073480A published on Nov. 21, 2007.
- English machine translation of CN101073480B published on May 14, 2014.
- English machine translation of CN101061932A published on Oct. 31, 2007.
- English machine translation of CN1981688A published on Jun. 20, 2007.
- English machine translation of CN1981688B published on Jul. 4, 2012.
- English machine translation of CN1911151A published on Feb. 14, 2007.
- English machine translation of CN1911151B published on Apr. 13, 2011.
- English machine translation of CN1895148A published on Jan. 17, 2007.
- English machine translation of CN1887437A published on Jan. 13, 2007.
- English machine translation of CN1875855A published on Dec. 13, 2006.
- English machine translation of CN1875846A published on Dec. 13, 2006.
- English machine translation of CN1626025A published on Jun. 15, 2005.
- English machine translation of CN1493244A published on May 5, 2004.
- English machine translation of CN1434688A published on Aug. 6, 2003.
- English machine translation of CN1424688A published on Jun. 18, 2003.
- English machine translation of CN1336154A published on Feb. 20, 2002.
- English machine translation of CN201290642Y published on Aug. 19, 2009.
- English machine translation of JP2016127893, published on Jul. 14, 2016.
- English machine translation of WO2014001496, published on Jan. 3, 2014.
- English machine translation of JP2004313249, published on Nov. 11, 2004.
- International Search Report and Written Opinion, received in connection to international patent application No. PCT/CA2018/050782, dated Oct. 2, 2018.
- English machine translation of CN103784081, published on Feb. 8, 2017.
- English machine translation of KR1020110021554A published on Mar. 4, 2011.
- English machine translation of KR1020100084127A published on Jul. 23, 2010.
- English machine translation of KR1020060125954A published on Dec. 7, 2006.
- English machine translation of KR1020060125952A published on Dec. 7, 2006.
- English machine translation of KR1020060122249A published on Nov. 30, 2006.
- English machine translation of KR1020060119587A published on Nov. 24, 2006.
- English machine translation of KR1020060118803A published on Nov. 24, 2006.
- English machine translation of KR1020060118802A published on Nov. 24, 2006.
- English machine translation of KR1020060118801A published on Nov. 24, 2006.
- English machine translation of KR1020060118800A published on Nov. 24, 2006.
- English machine translation of KR1020060118795A published on Nov. 25, 2006.
- English machine translation of KR1020060112420A published on Nov. 1, 2006.
- English machine translation of KR1020060008365A published on Jan. 26, 2006.
- English machine translation of KR1020050108623A published on Nov. 17, 2005.
- English machine translation of KR1020050103343A published on Oct. 31, 2005.
- English machine translation of KR1020050091838A published on Sep. 15, 2005.
- English machine translation of KR1020050091837A published on Sep. 15, 2005.
- English machine translation of KR1020050091836A published on Sep. 15, 2005.
- English machine translation of KR1020050091835A published on Sep. 15, 2005.
- English machine translation of KR1020050091834A published on Sep. 15, 2005.
- English machine translation of KR1020050091833A published on Sep. 15, 2005.
- English machine translation of KR1020050091830A published on Sep. 15, 2005.
- English machine translation of KR1020050091829A published on Sep. 15, 2005.
- Office Action dated Jul. 7, 2010, for Canadian Patent Application No. 2,675,714.
- Office Action received in connection to the corresponding US Patent Application No. 200880126486.6 dated Mar. 23, 2012.
- Office Action received in connection to the related Chinese Patent Application No. 00813438.3 dated Jul. 11, 2003.
- Combined Search and Examination Report under Sections 17 & 18(3) received in connection to the corresponding GB Patent Application No. 1522195.5 dated Jun. 16, 2016.
- Combined Search and Examination Report under Sections 17 & 18(3) received in connection to the corresponding GB Patent Application No. 1706875.0 dated May 25, 2017.
- European Communication pursuant to Article 94(3) on European Patent Application No. 04078261.7, dated Apr. 24, 2012.
- European Communication pursuant to Article 94(3) on European Patent Application No. 04078261.7, dated Feb. 26, 2010.
- Cheremisinoff, Nicholas P.: "Handbook of air pollution prevention and control", Butterworth-Heinemann, ISBN 0-7506-7499-7; pp. 397-404; Copyright © 2002.
- Instruction manual: Makita Cordless Cleaner, Handy Vac II, Model 4071D; Oct. 1993.
- Instruction Manual: Cordless Cleaner BCL 180.
- International Search Report and Written Opinion Report on International application No. PCT/CA2015/051332, dated Mar. 7, 2016.
- International Preliminary Report on Patentability in International Application No. PCT/CA2015/051332 dated Jun. 29, 2017.
- International Preliminary Examination Report on International application No. PCT/CA00/00873, dated Oct. 26, 2001.
- International Preliminary Report on Patentability, dated Sep. 16, 2008 for International application No. PCT/CA2007/000380.
- International Search Report and Written Opinion received in connection to International patent application No. PCT/CA2007/002211, dated Apr. 21, 2008.
- International Search Report and Written Opinion received in connection to international patent application No. PCT/CA2015/050661, dated Oct. 19, 2015.
- International Search Report and Written Opinion received in connection to International Patent Application No. PCT/CA2014/000133, dated May 26, 2014.
- Euro-Pro Shark Cordless Hand Vac Owner's Manual, published in 2002.
- Supplementary European Search Report, dated Jun. 16, 2009, as received on the corresponding EP application No. 07719394.4.

(56)

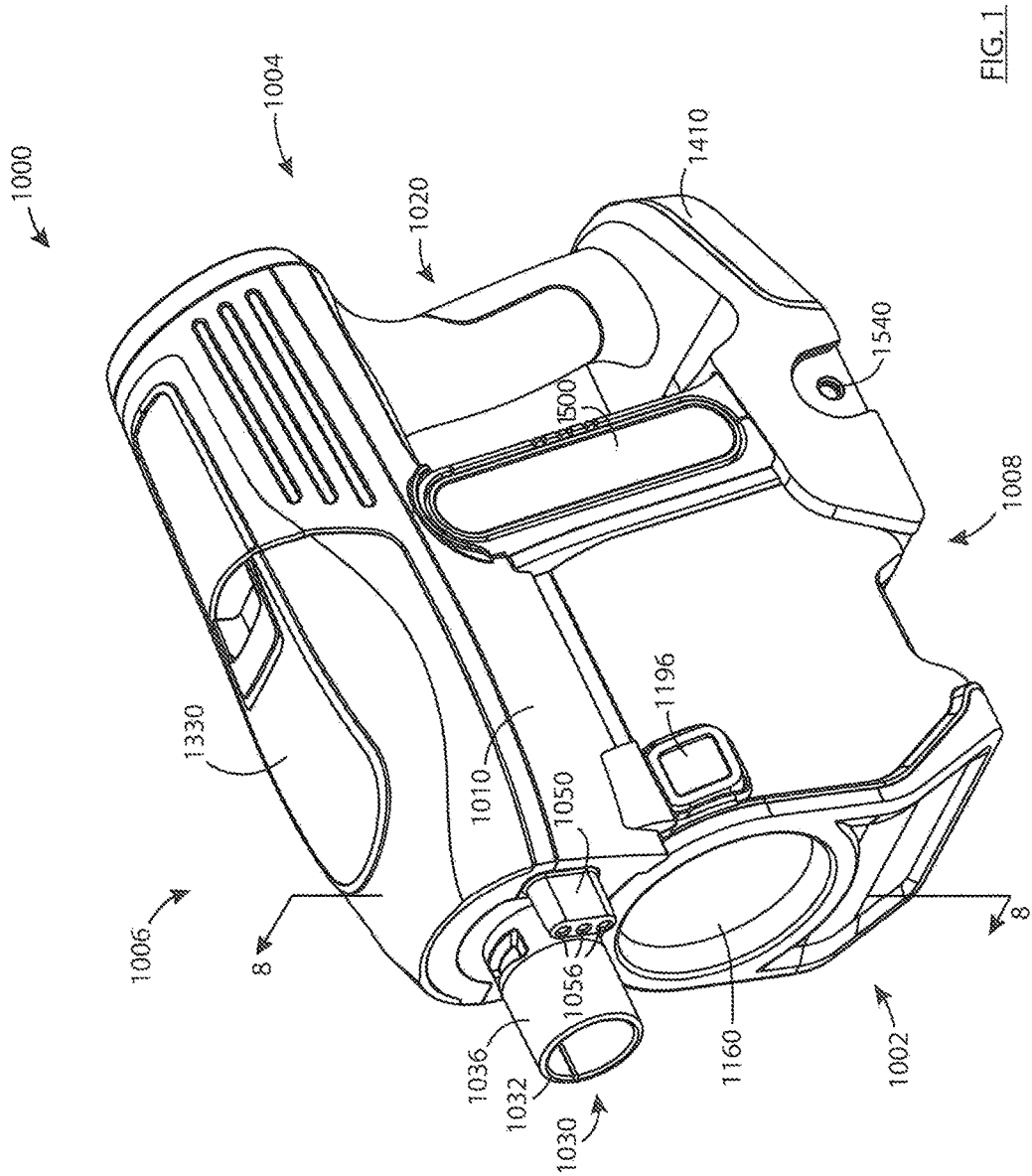
References Cited

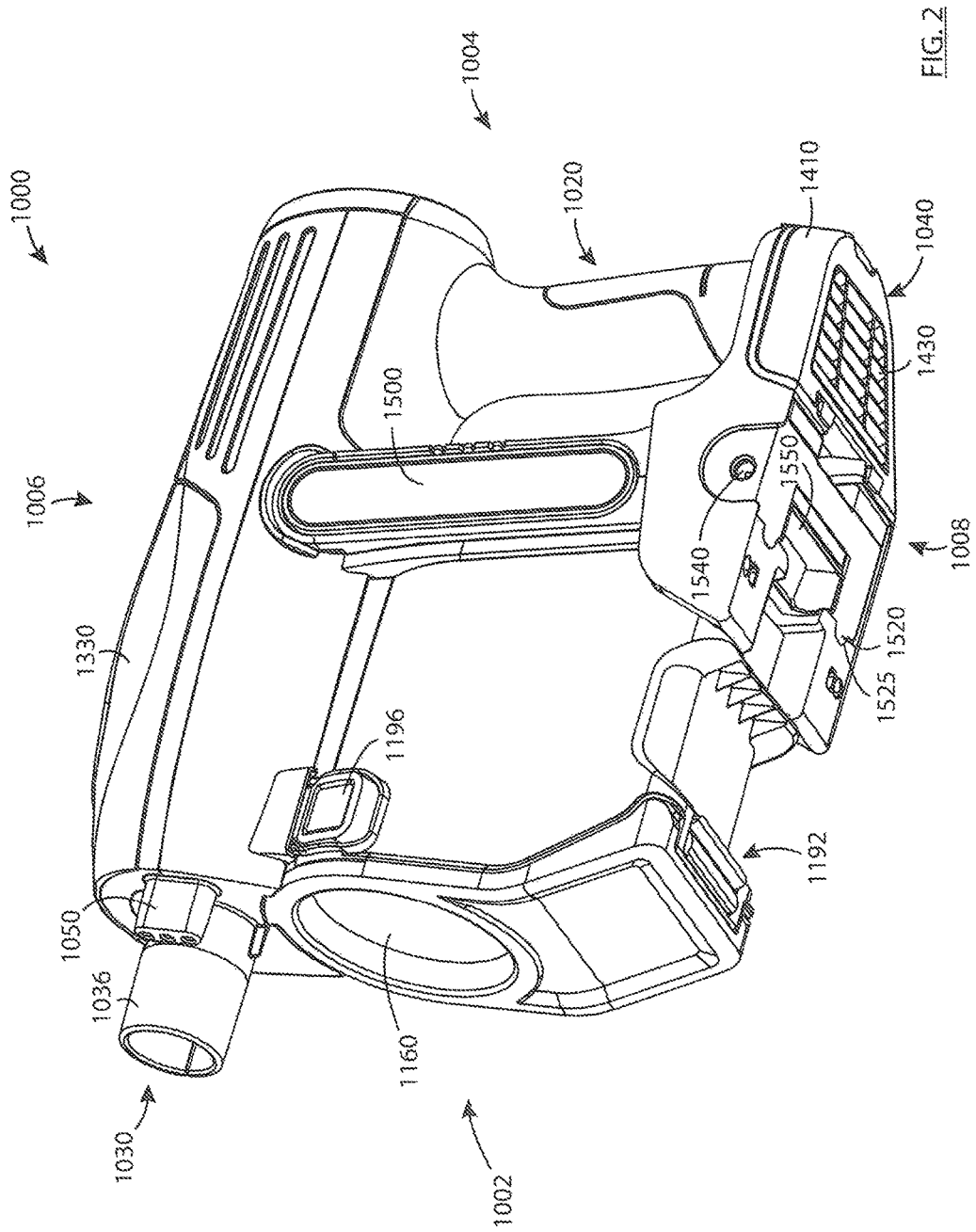
OTHER PUBLICATIONS

International Search Report and Written Opinion received in connection to International patent application No. PCT/CA2017/050436, dated Jul. 21, 2017.

International Search Report and Written Opinion received in connection to International patent application No. PCT/CA2017/050014, dated Apr. 5, 2017.

* cited by examiner





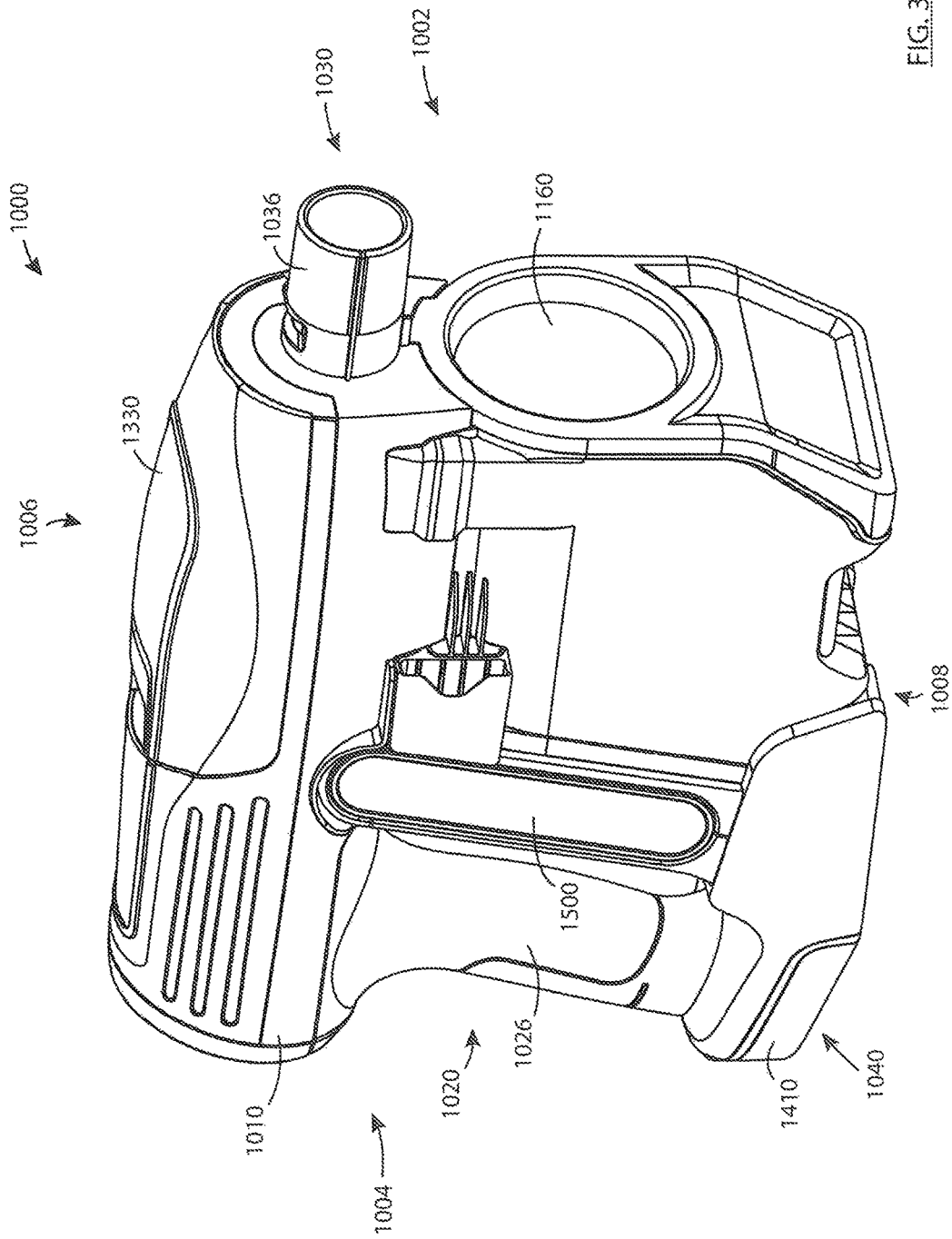


FIG. 3

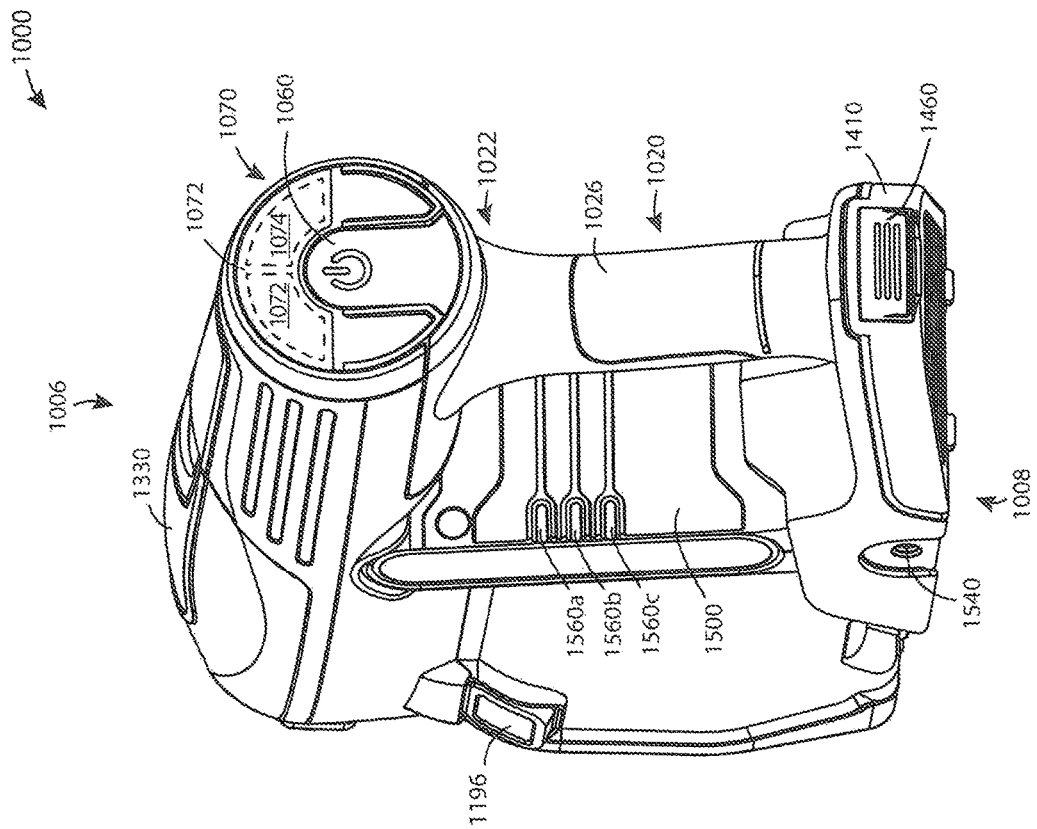


FIG. 4

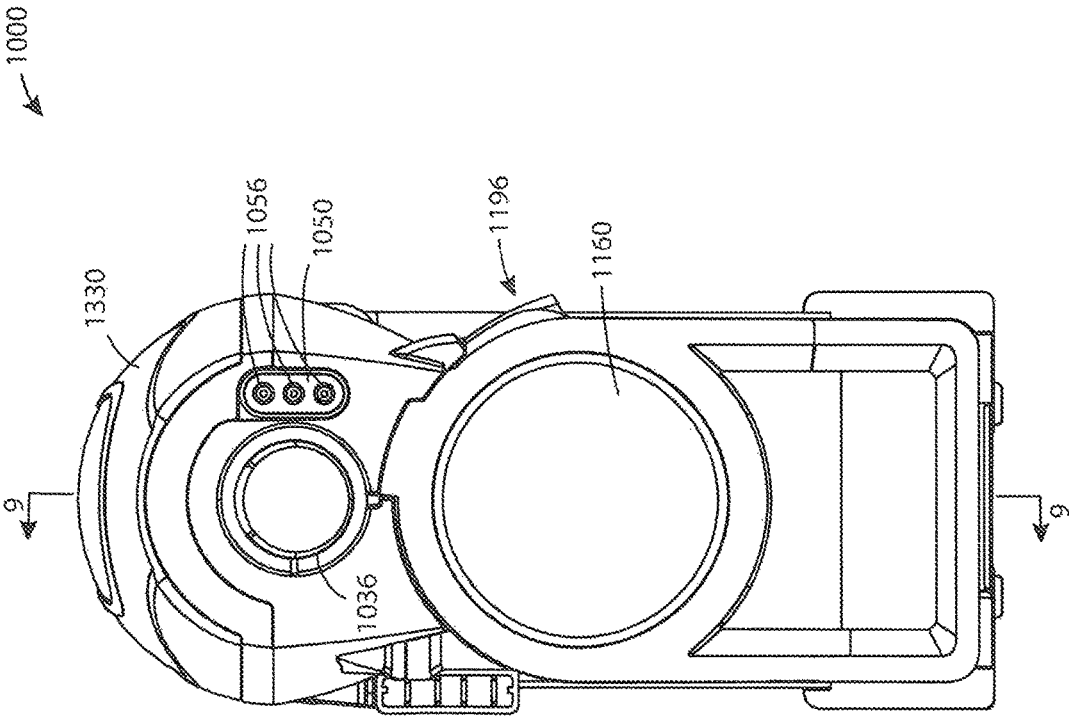


FIG. 5

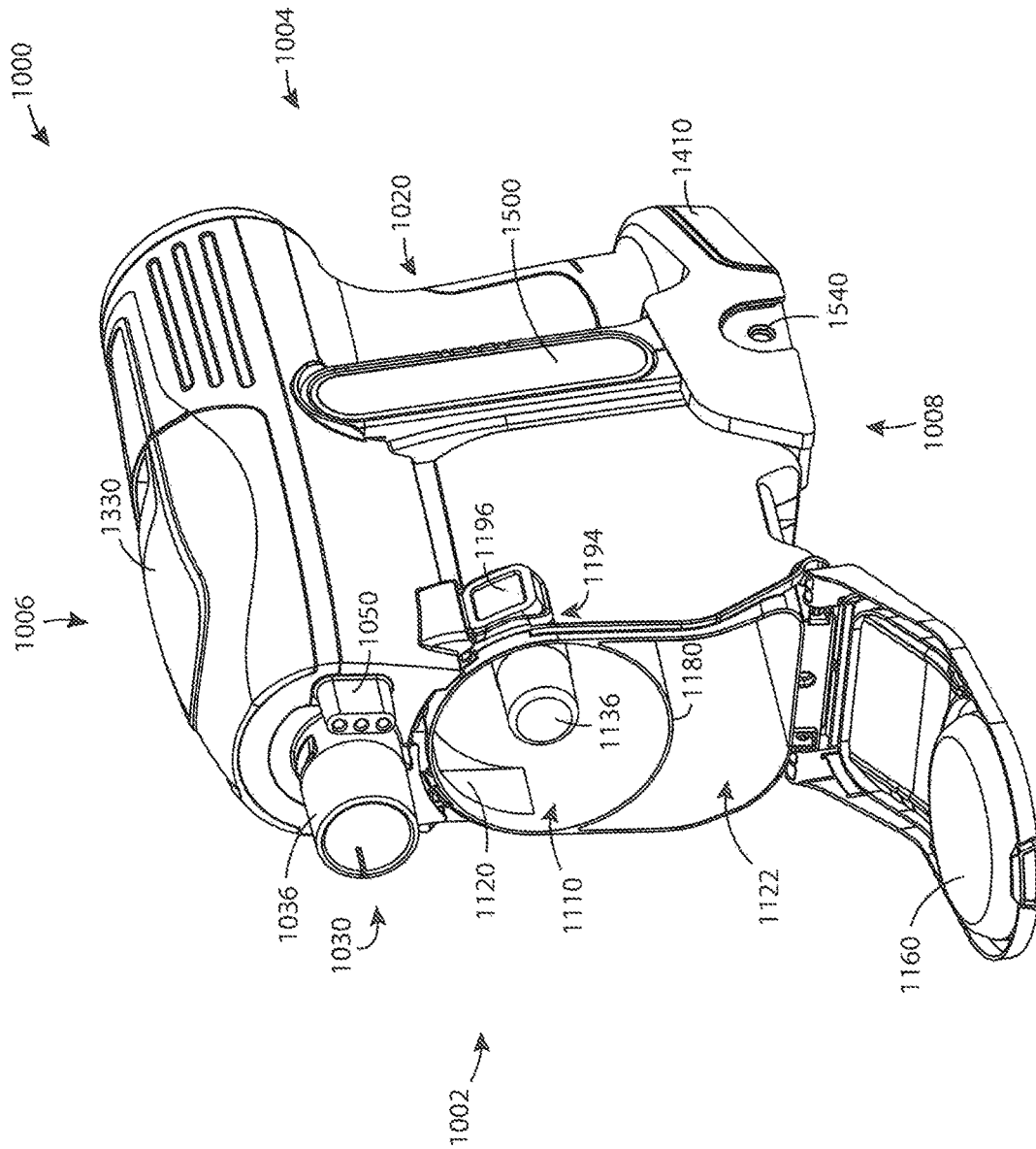


FIG. 6

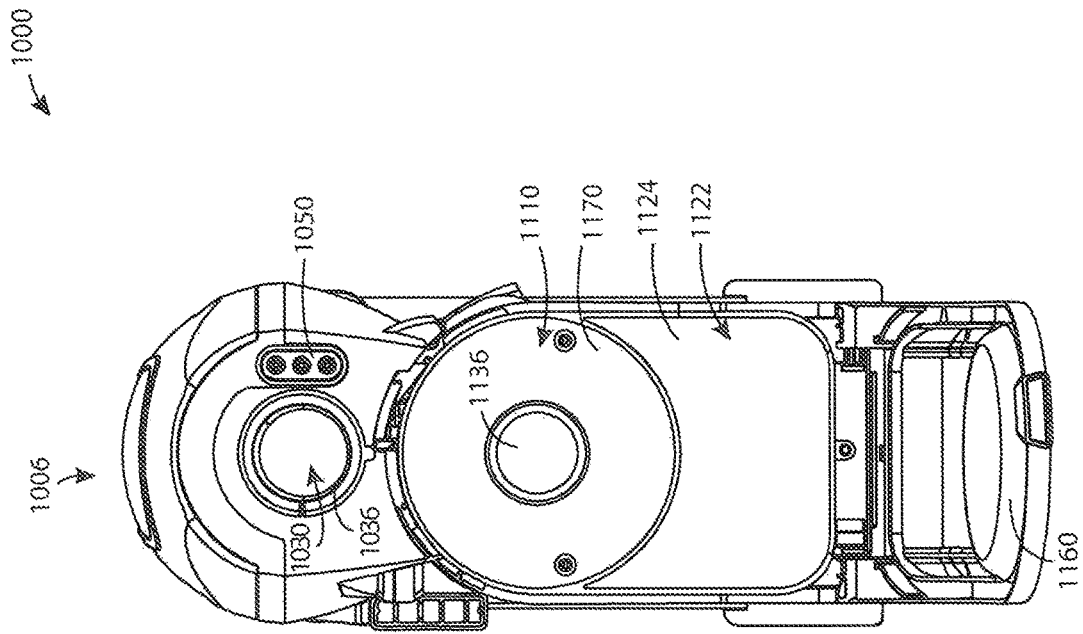


FIG. 7

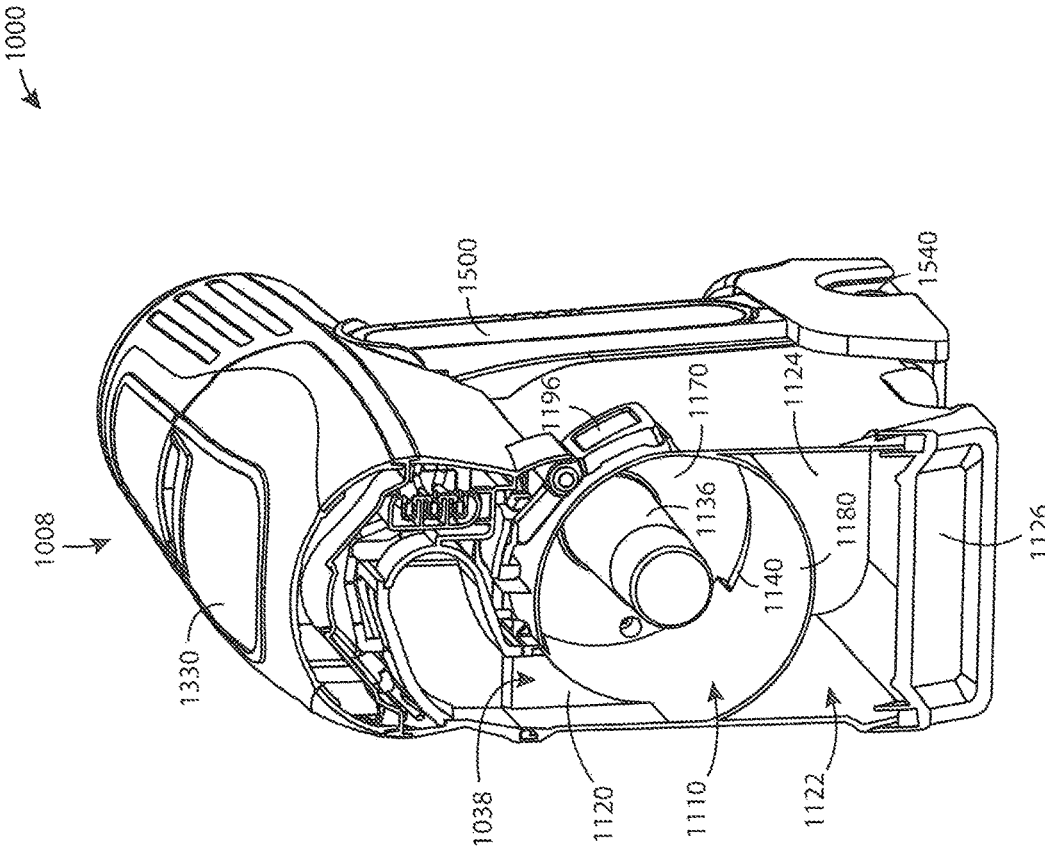


FIG. 8

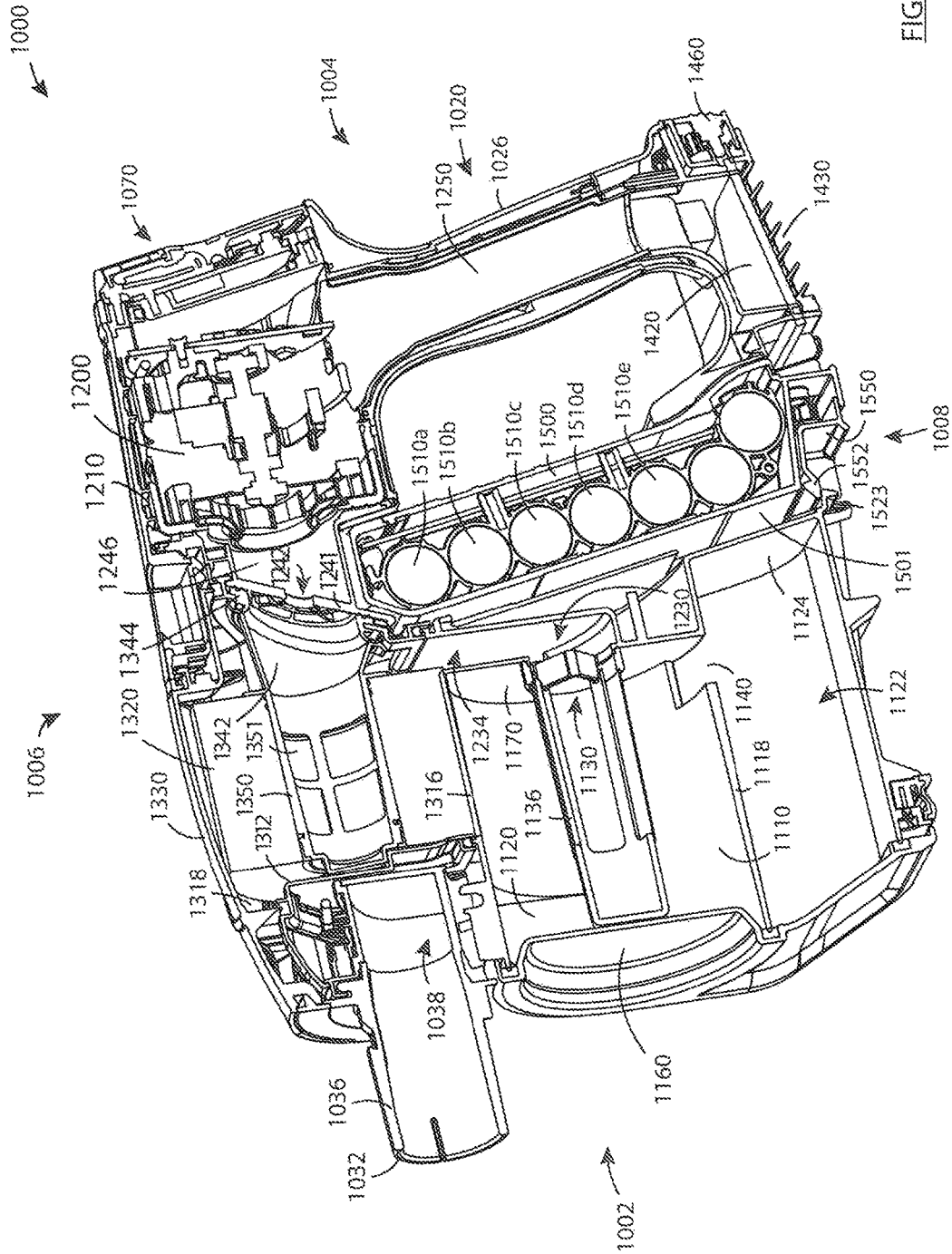


FIG. 9

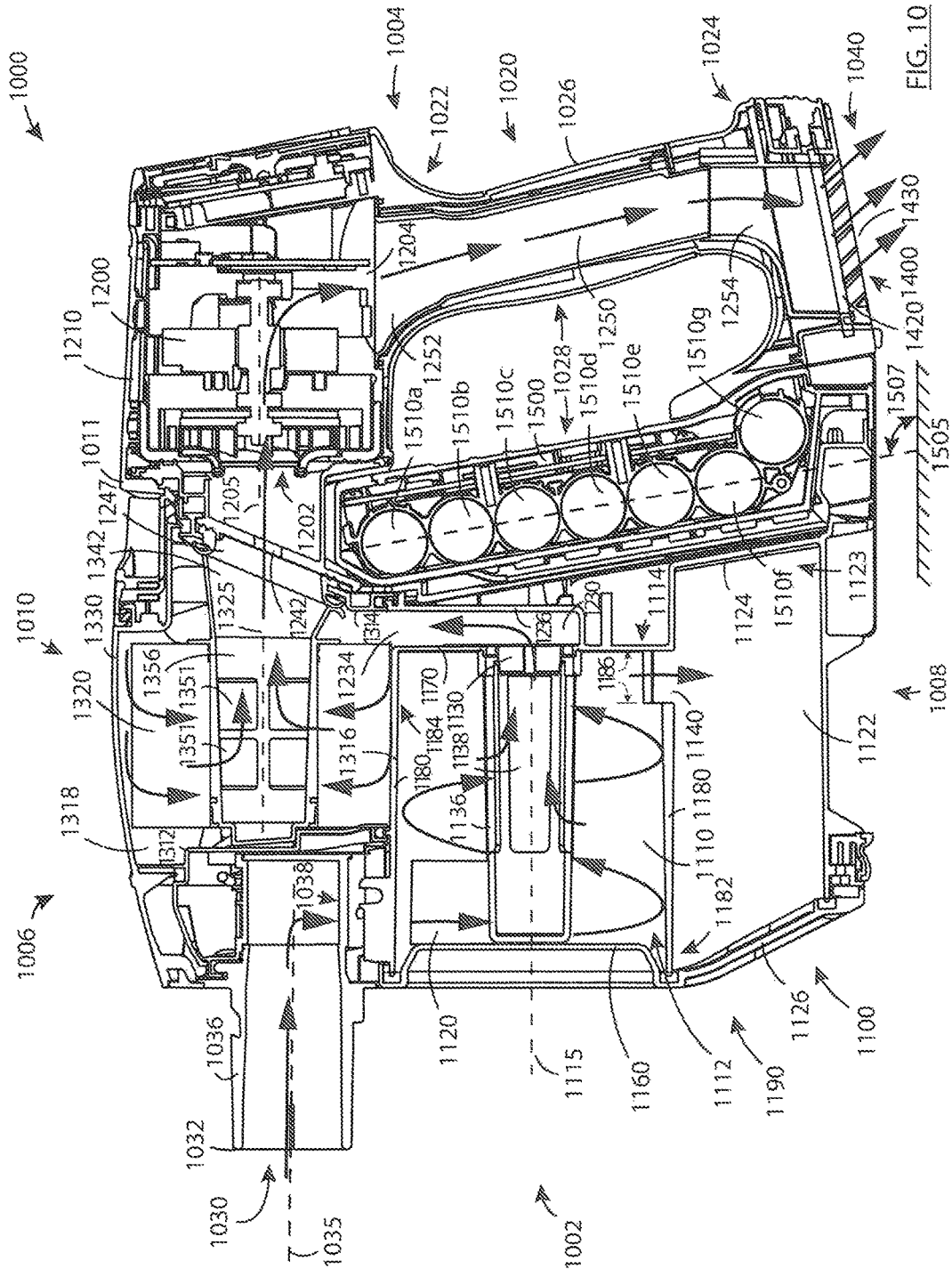


FIG. 10

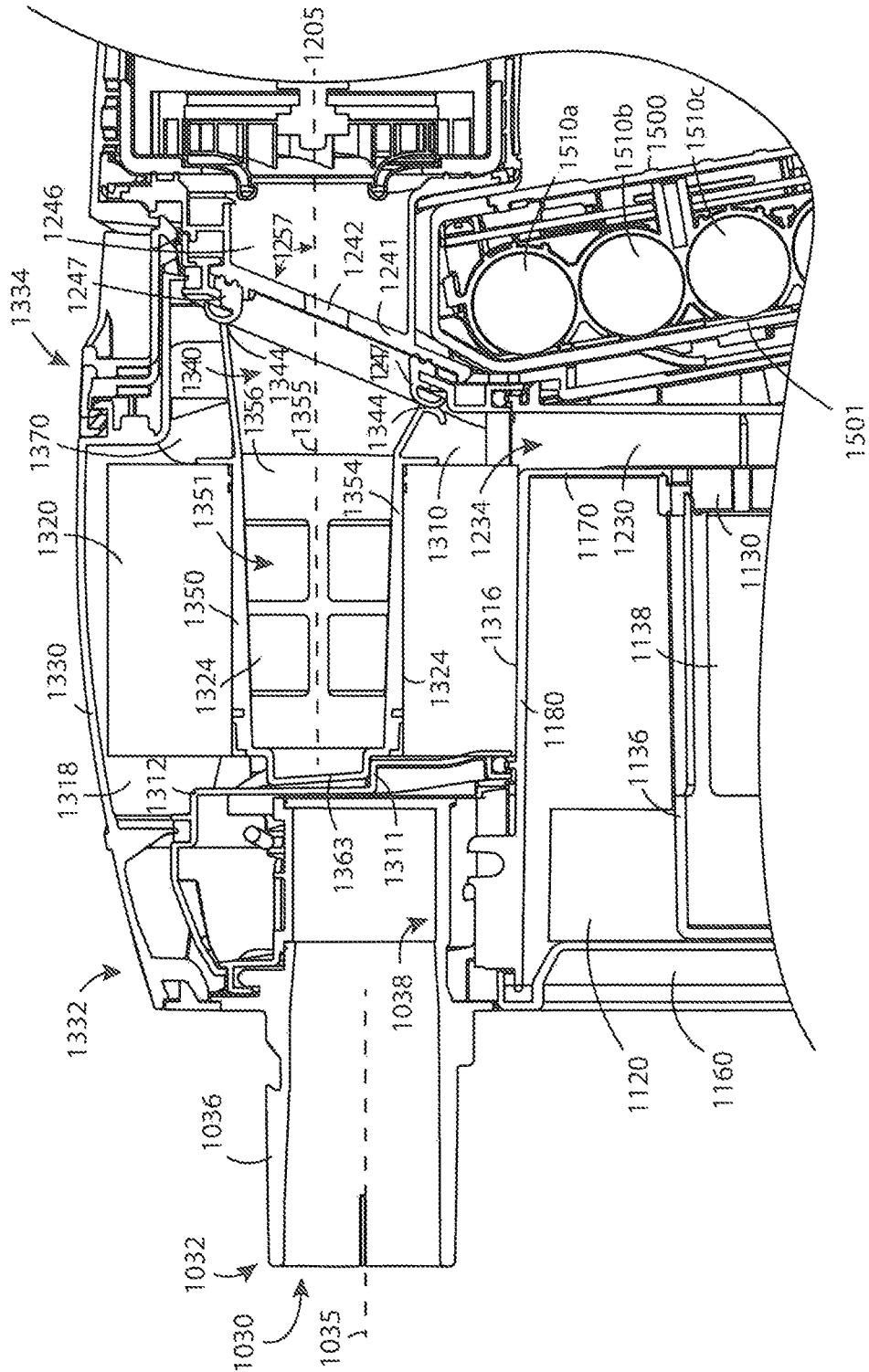


FIG. 11

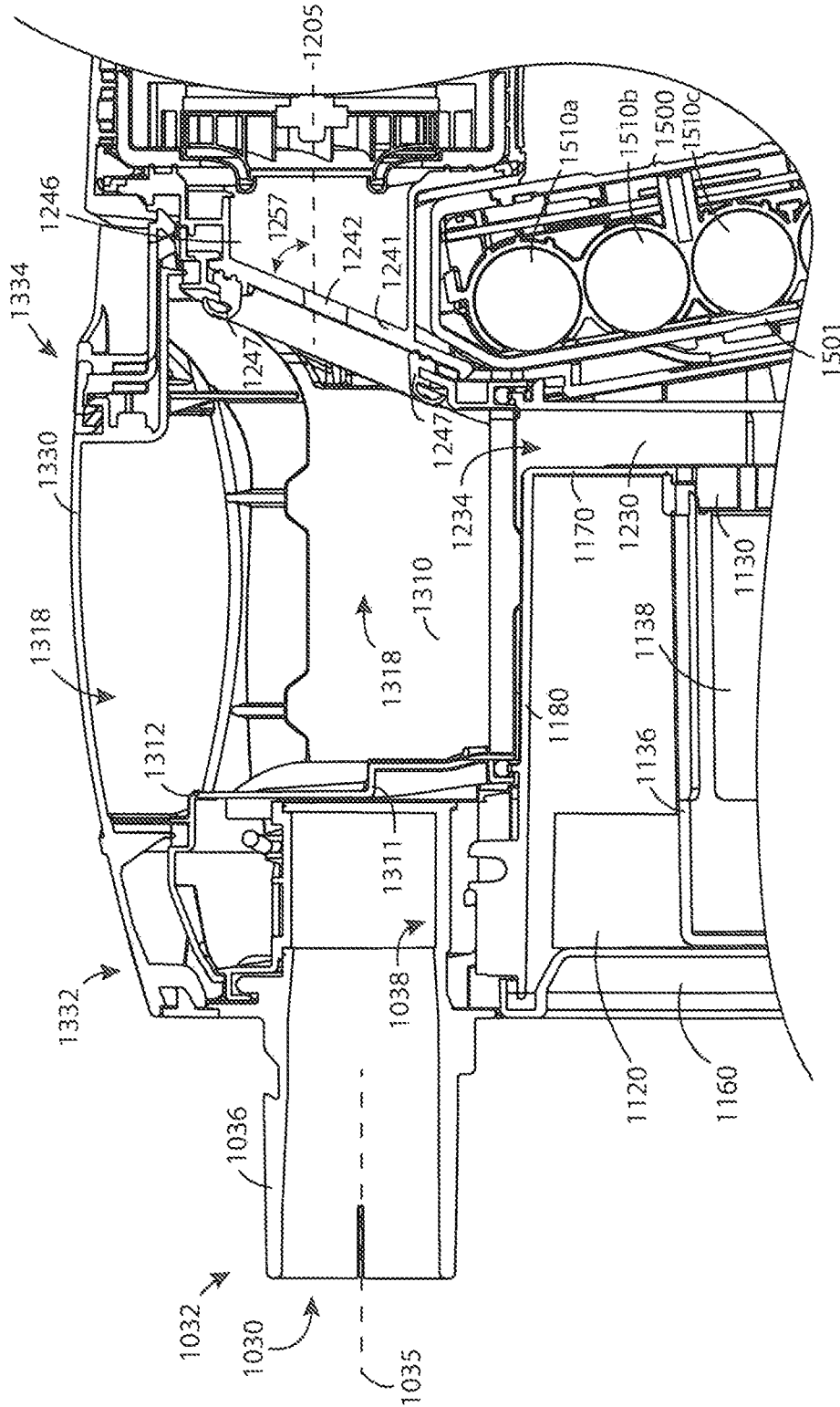


FIG. 12

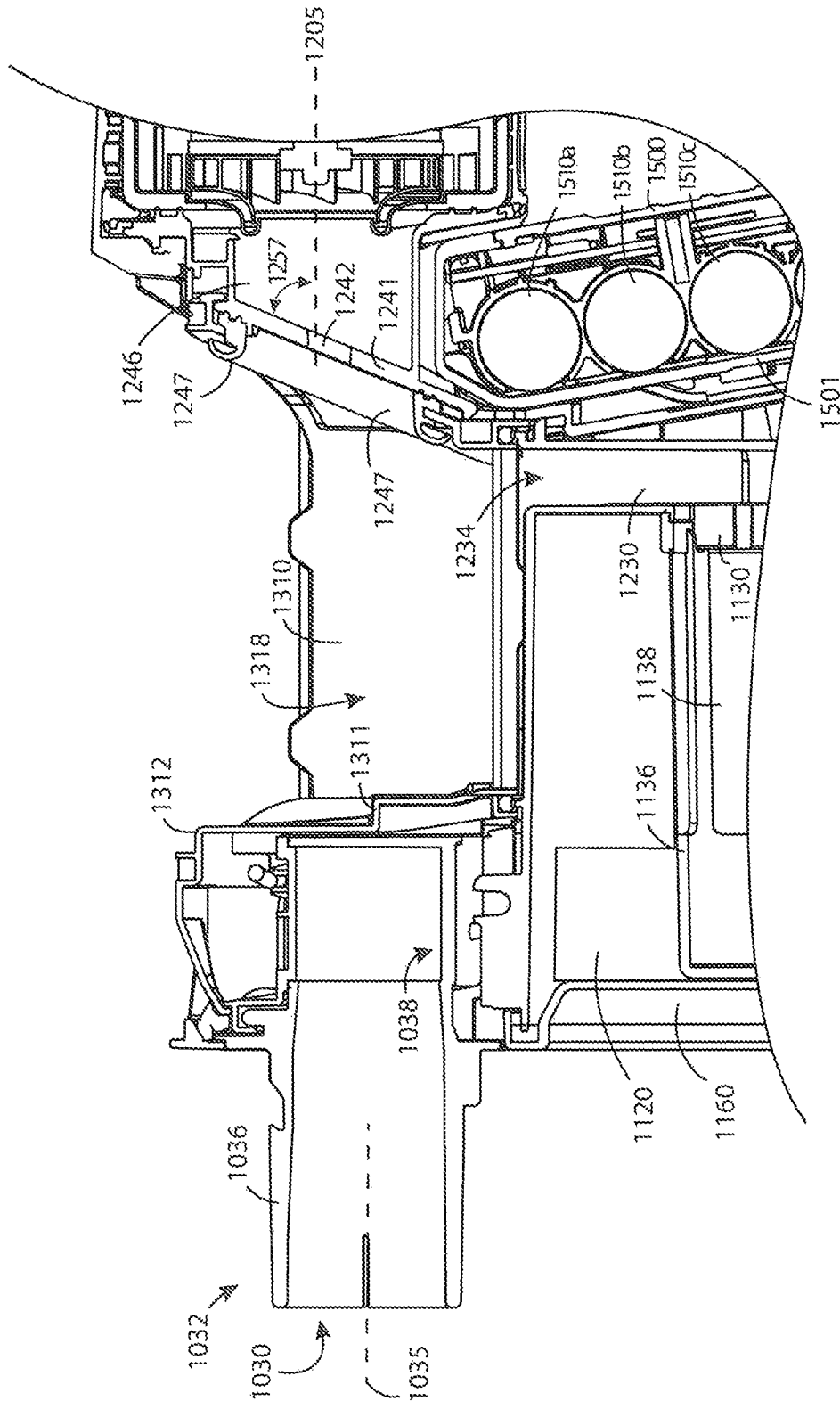


FIG. 13

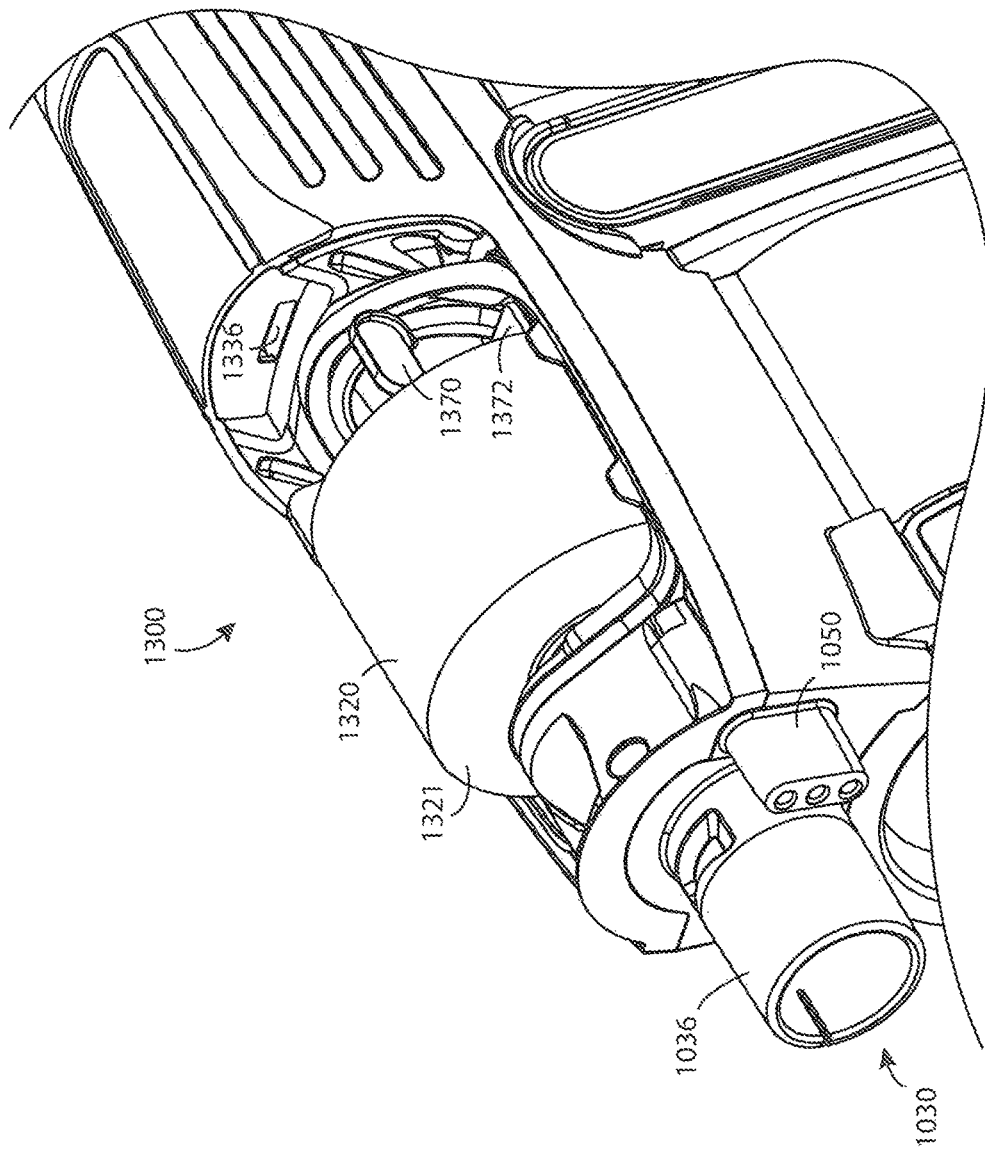


FIG. 14

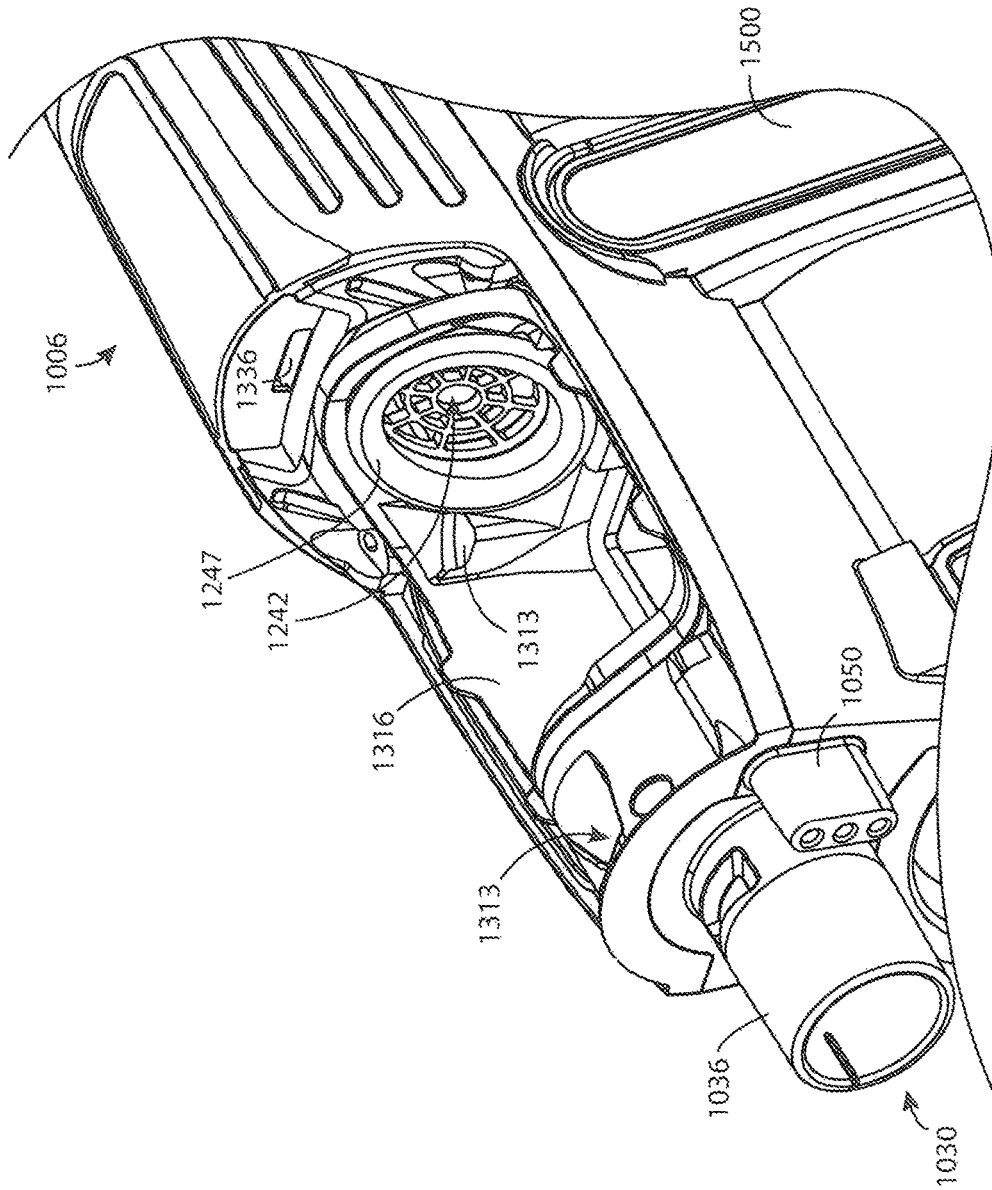


FIG. 15

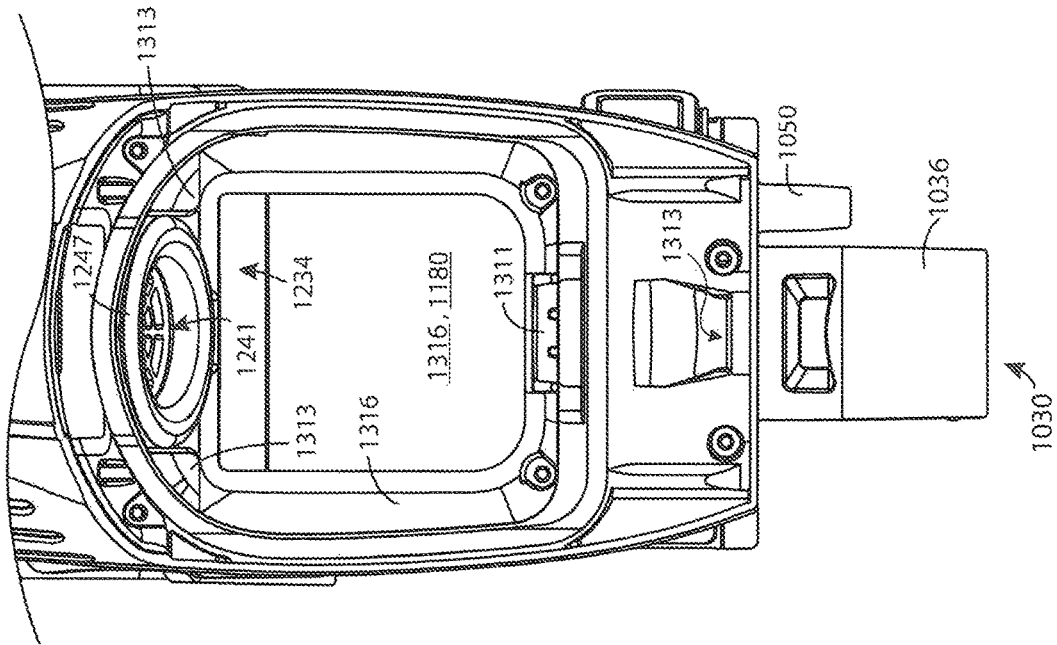


FIG. 16

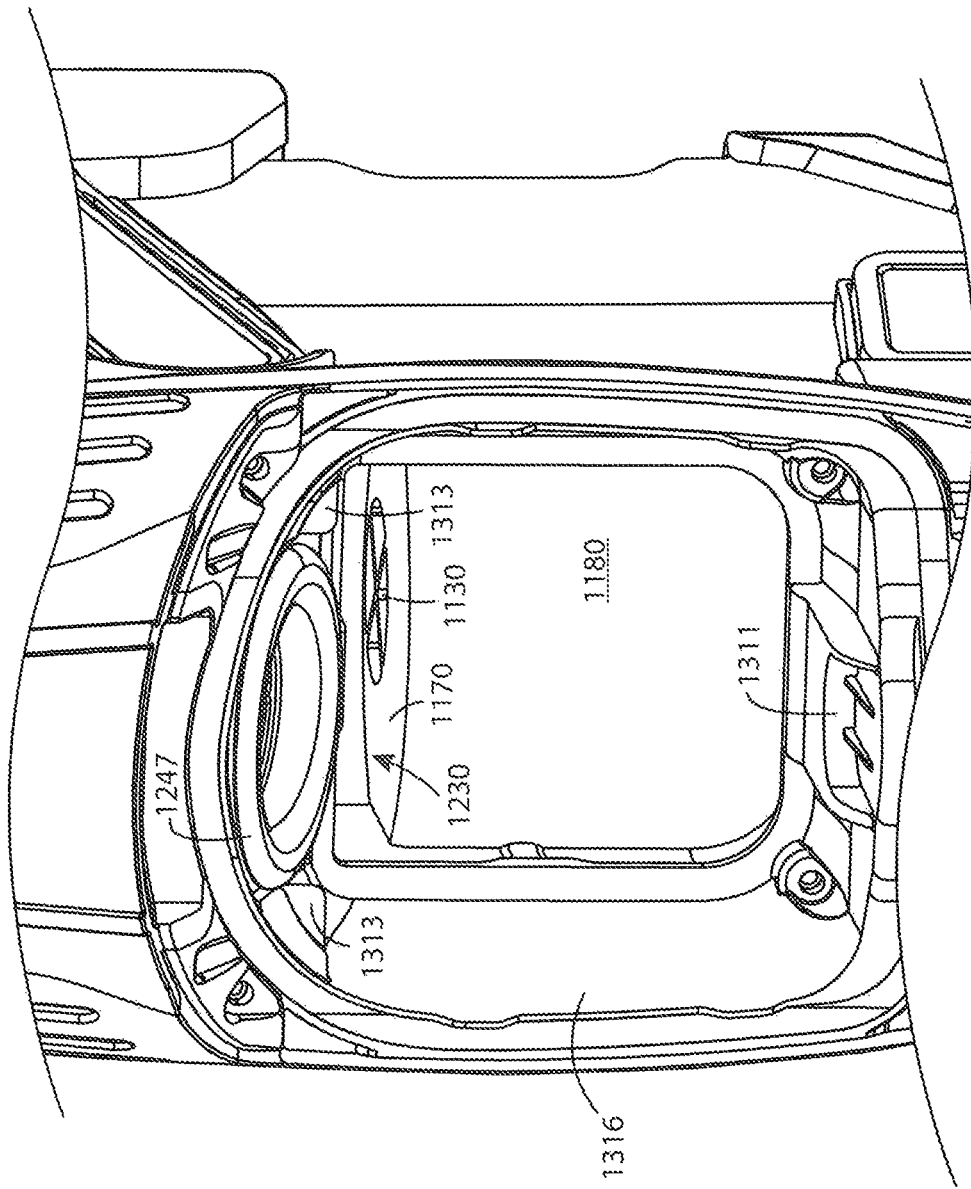


FIG. 17

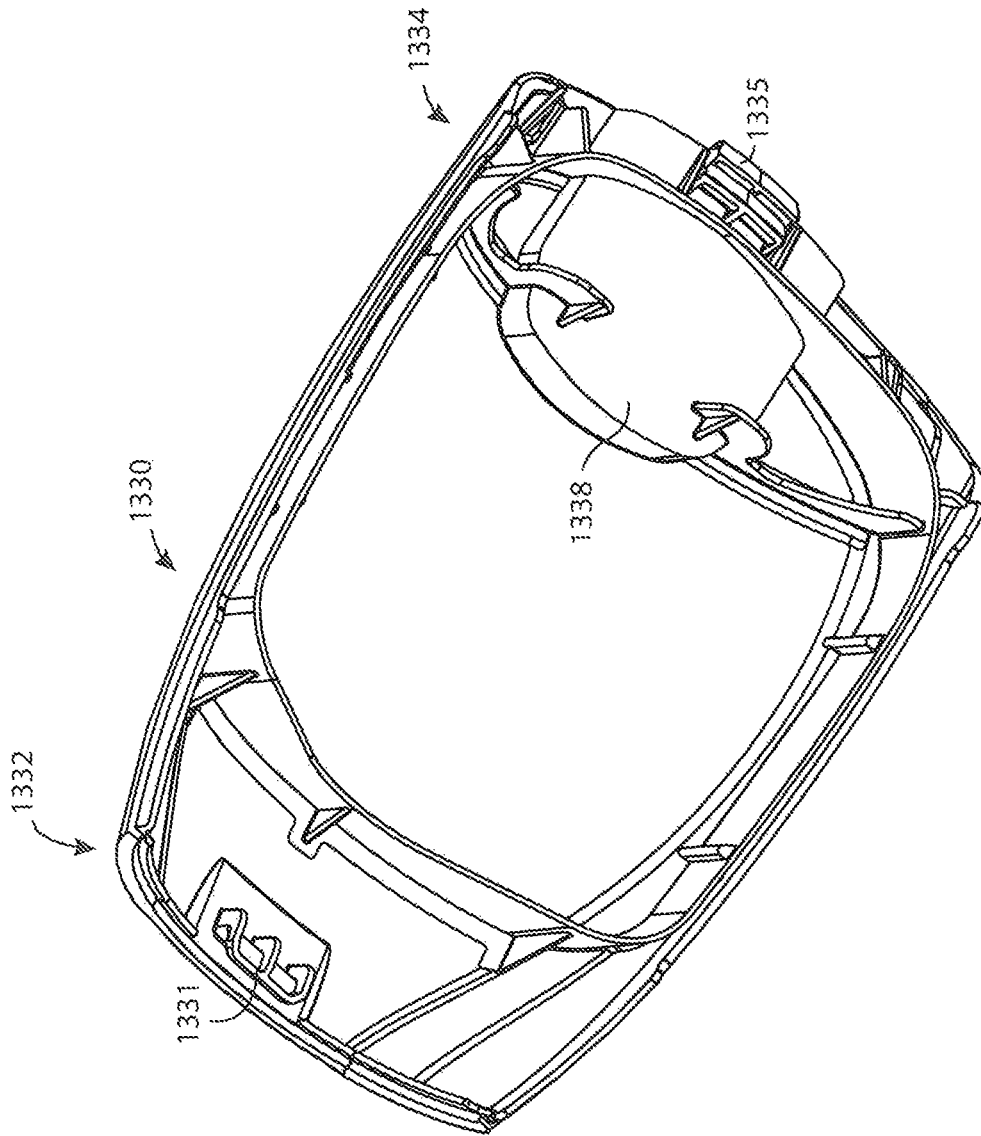


FIG. 18

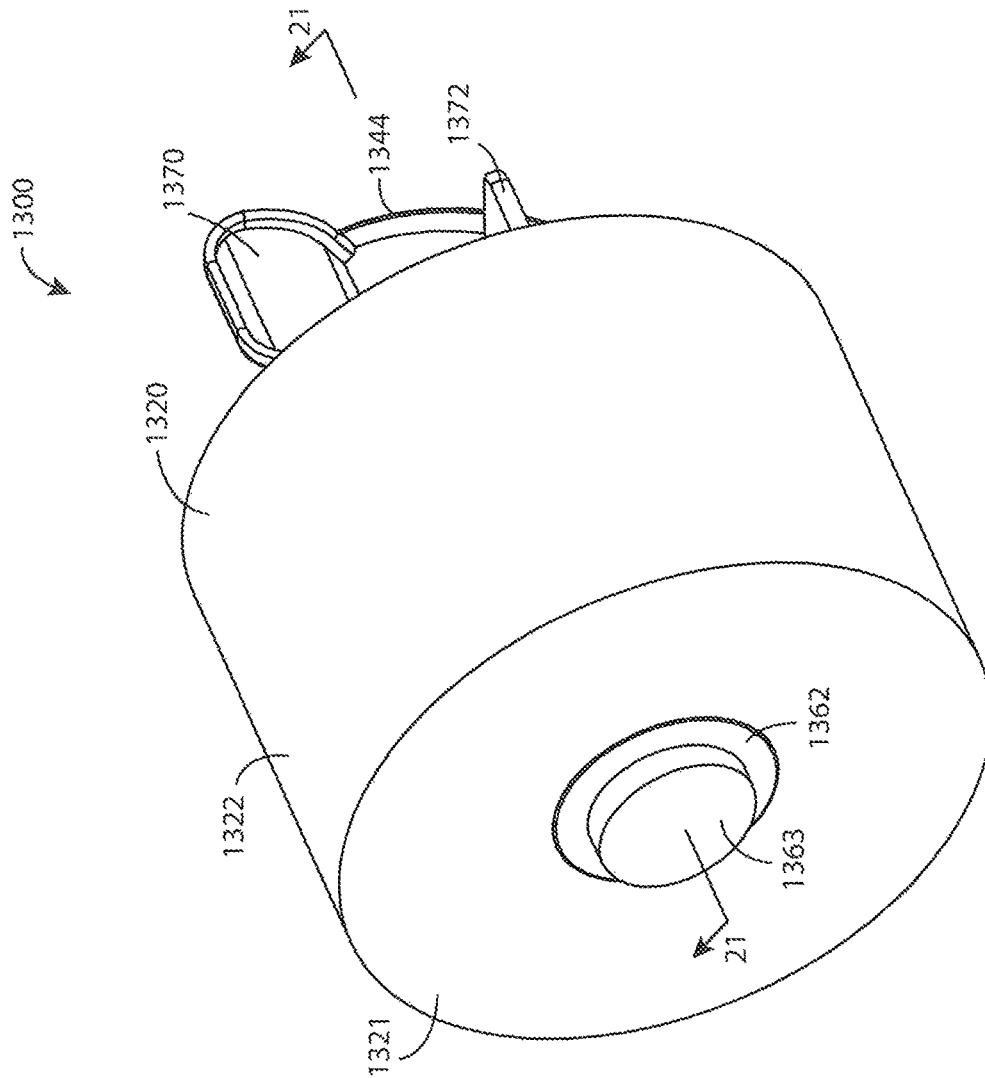


FIG. 19

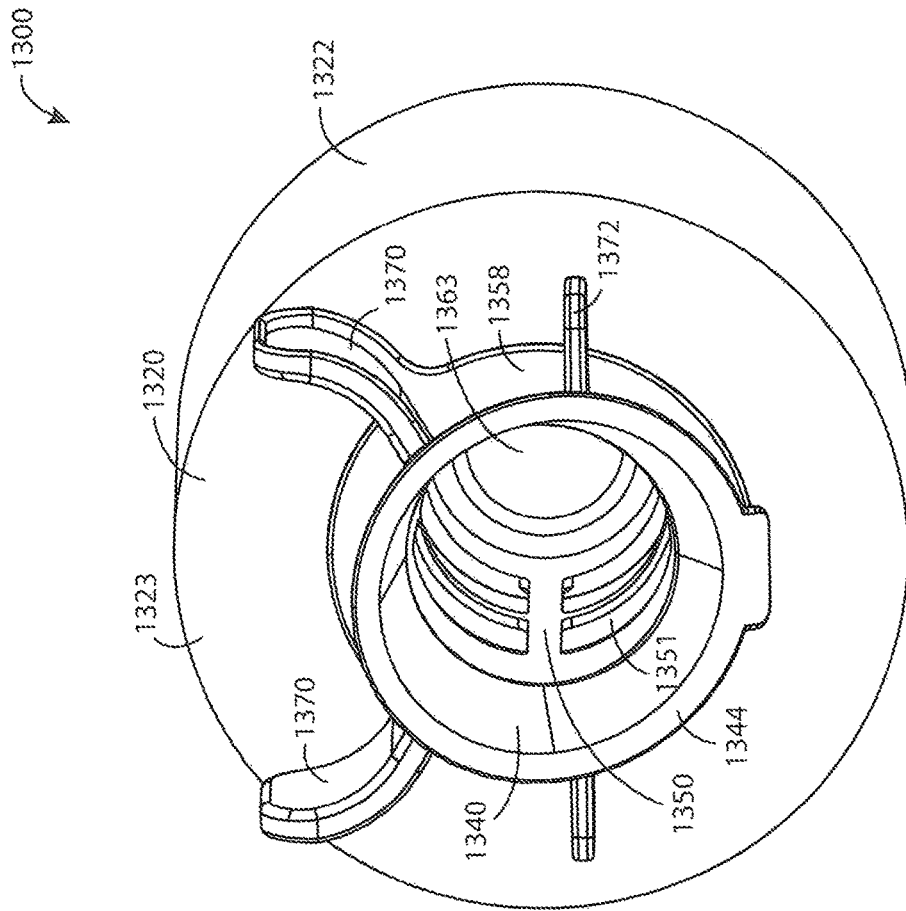


FIG. 20

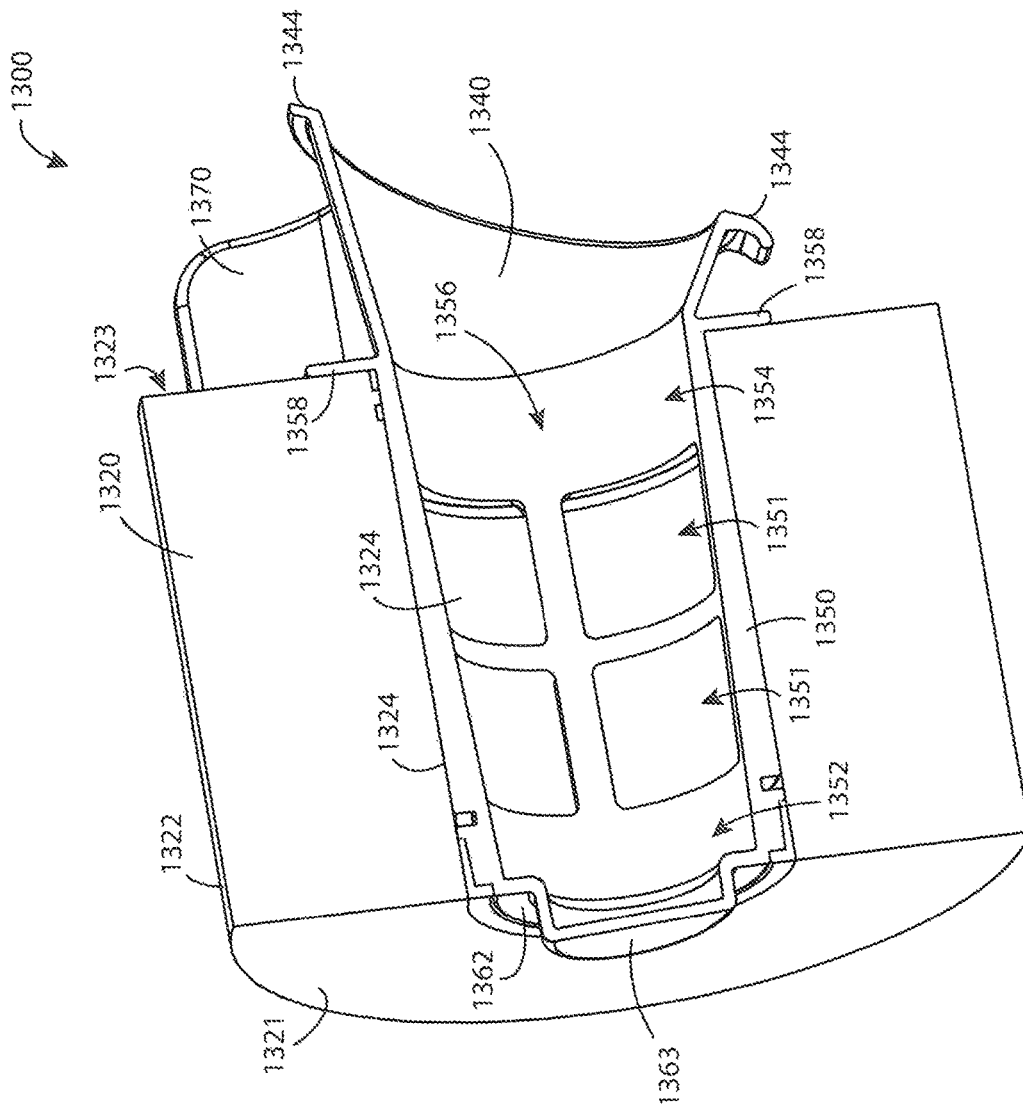


FIG. 21

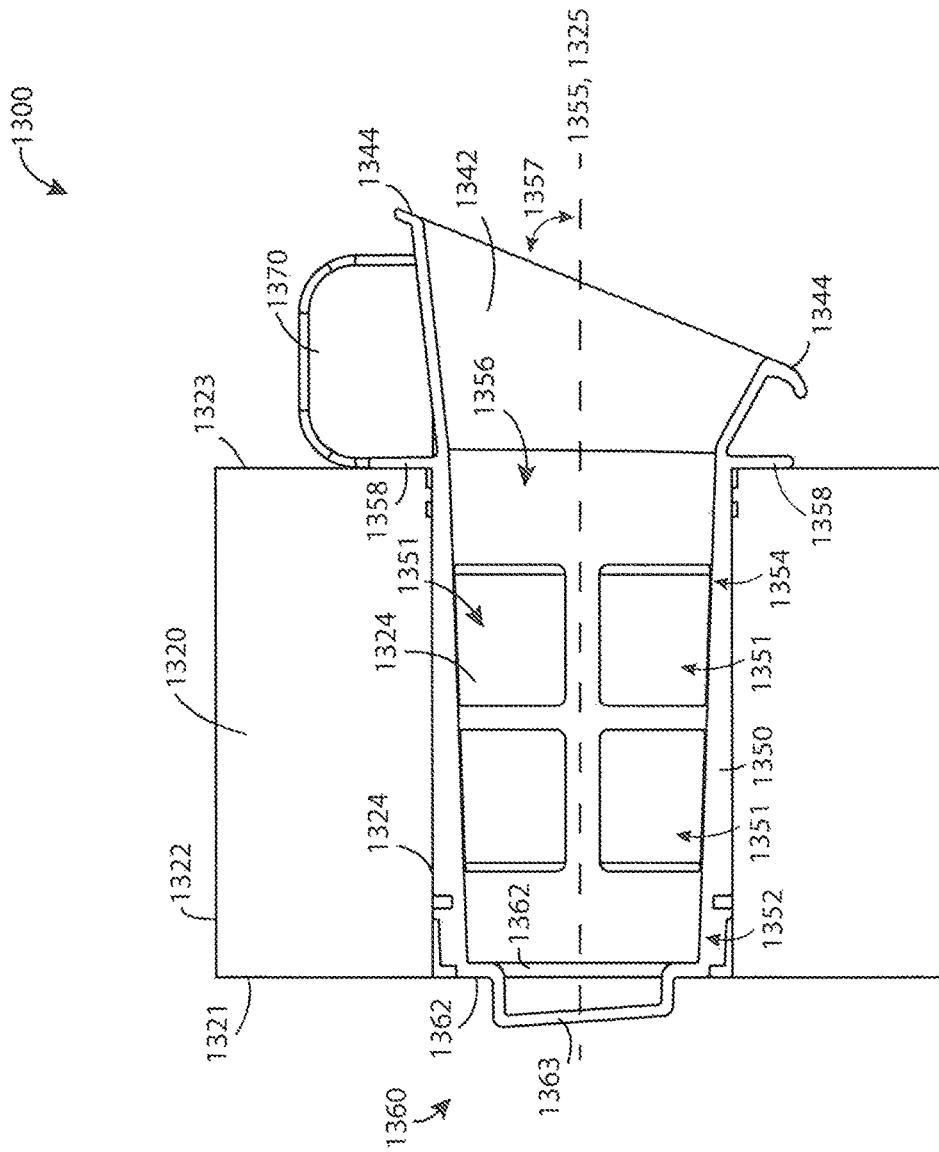


FIG. 22

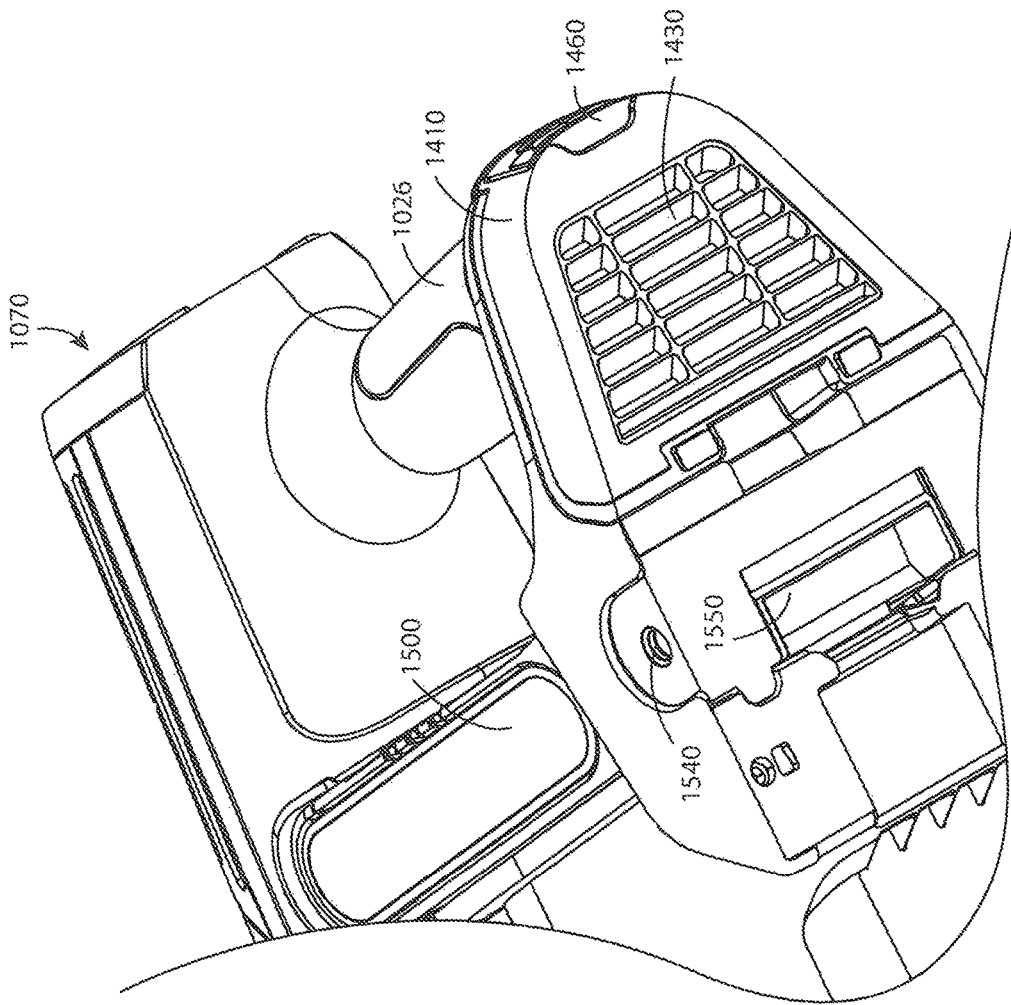


FIG. 23

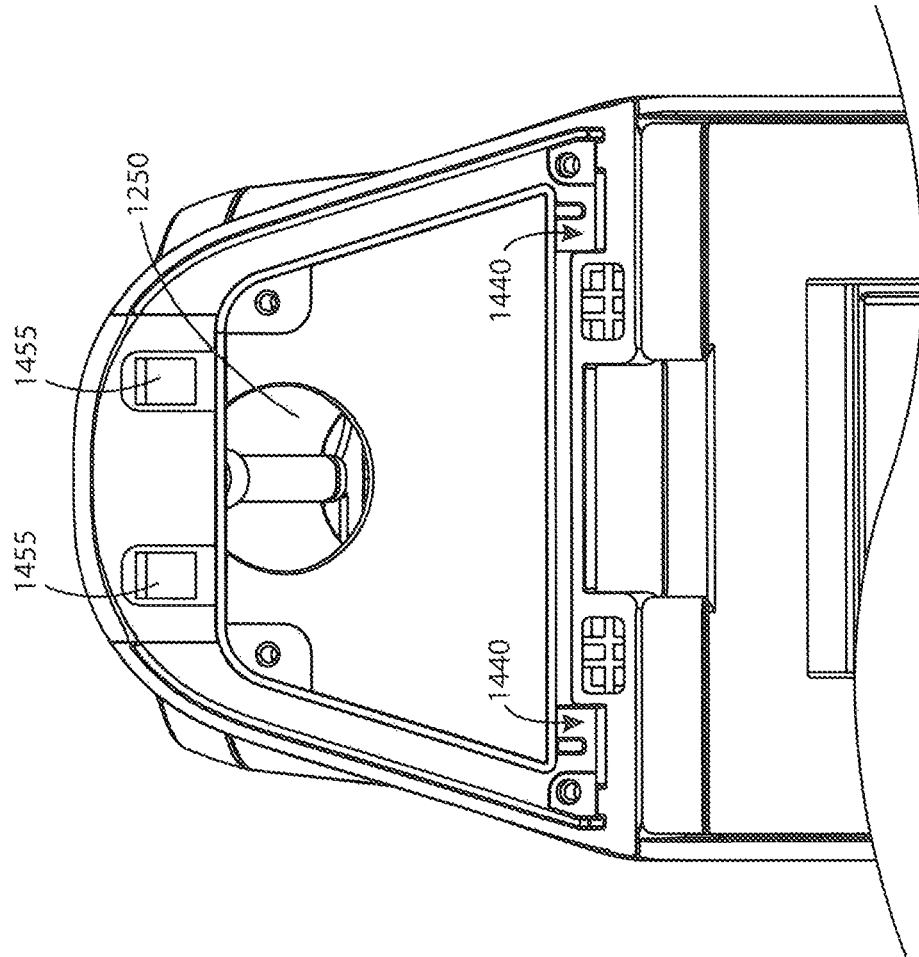


FIG. 24

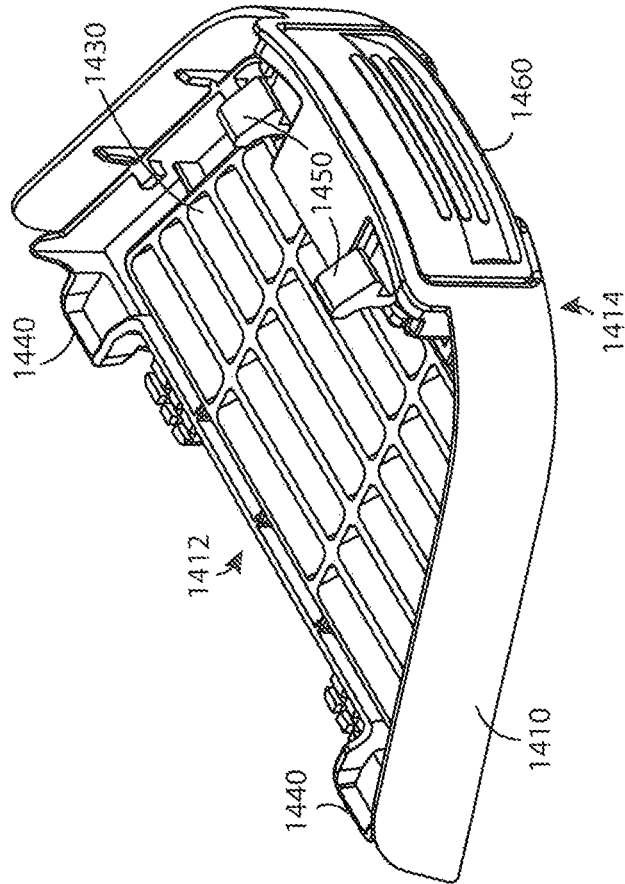


FIG. 25

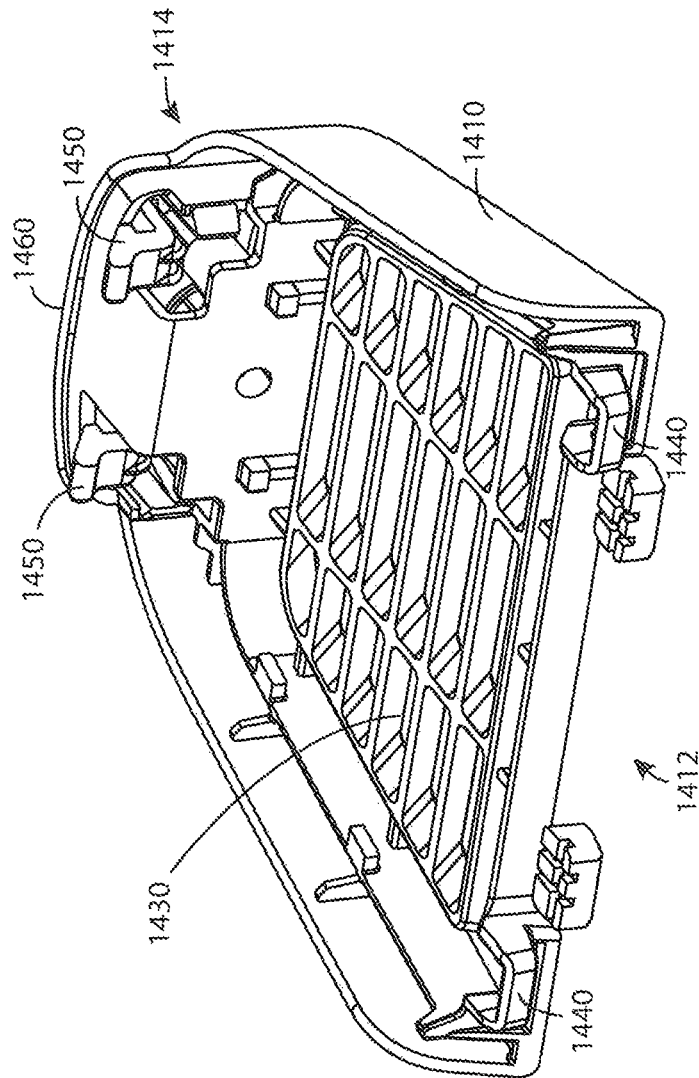


FIG. 26

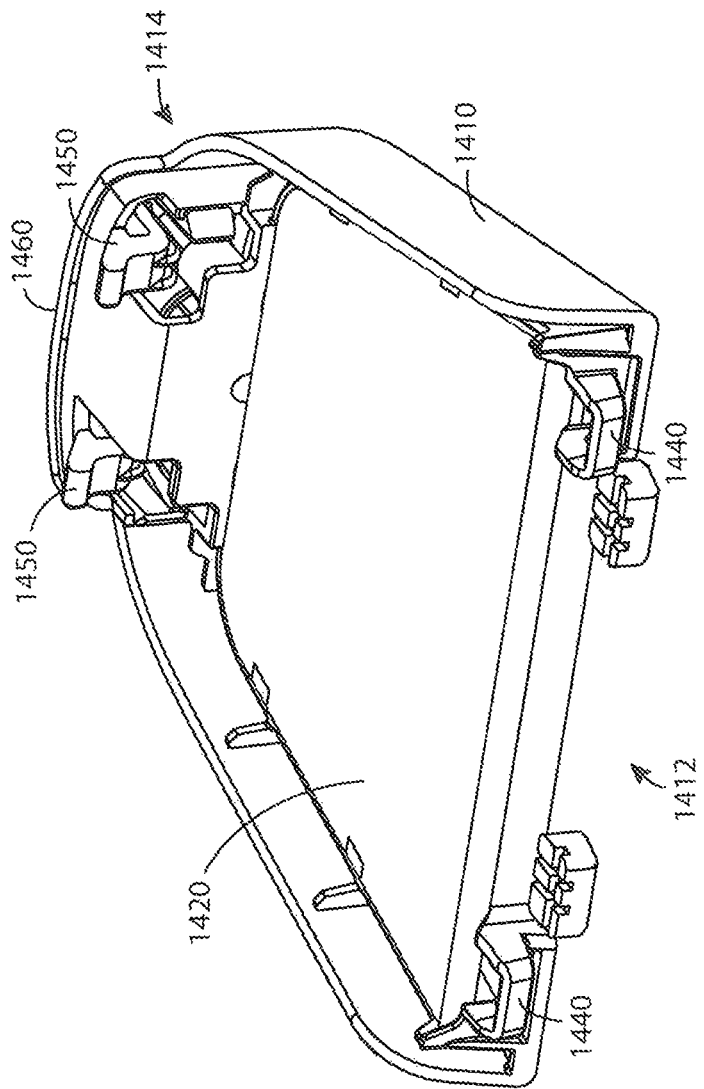


FIG. 27

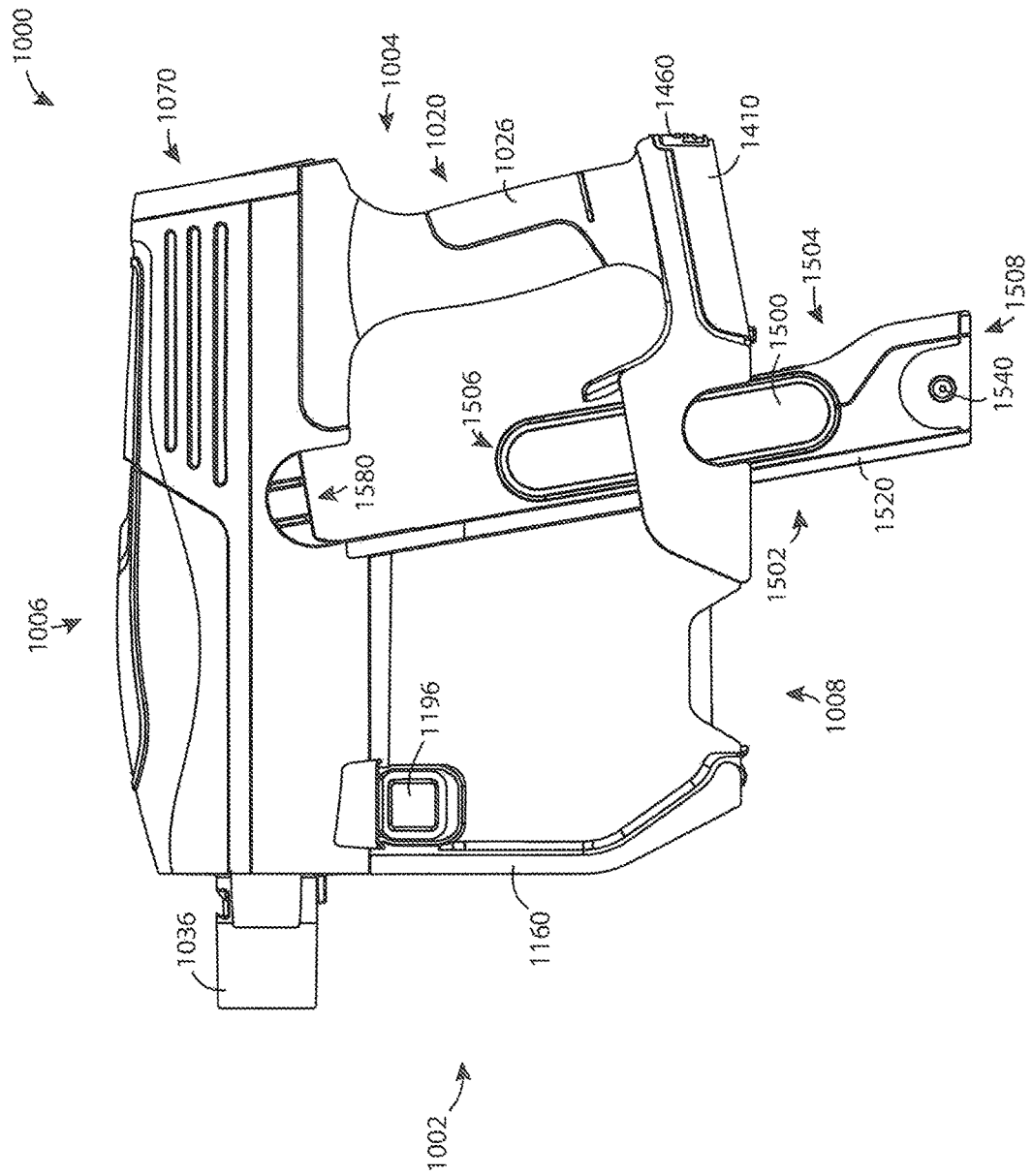


FIG. 28

1000

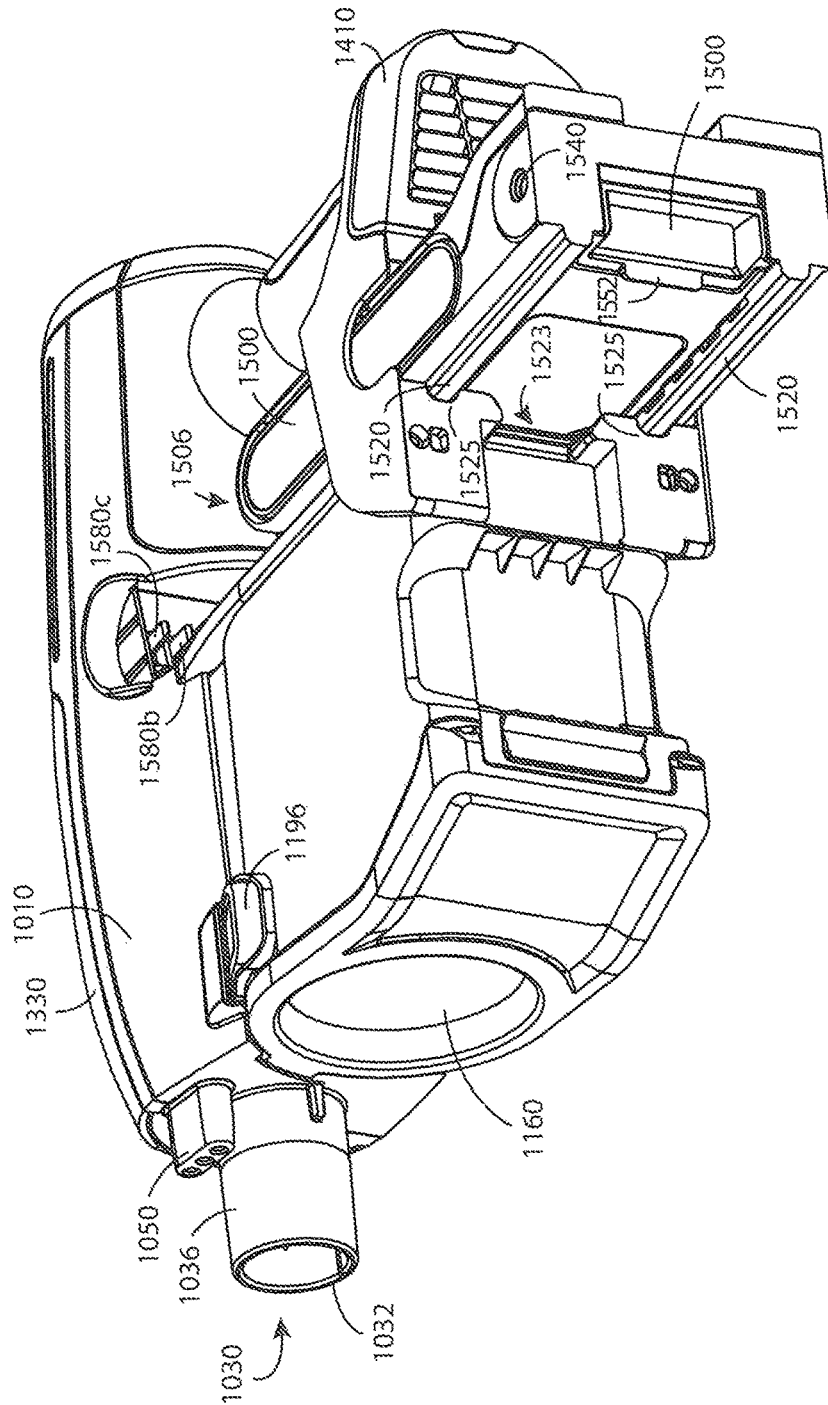


FIG. 29

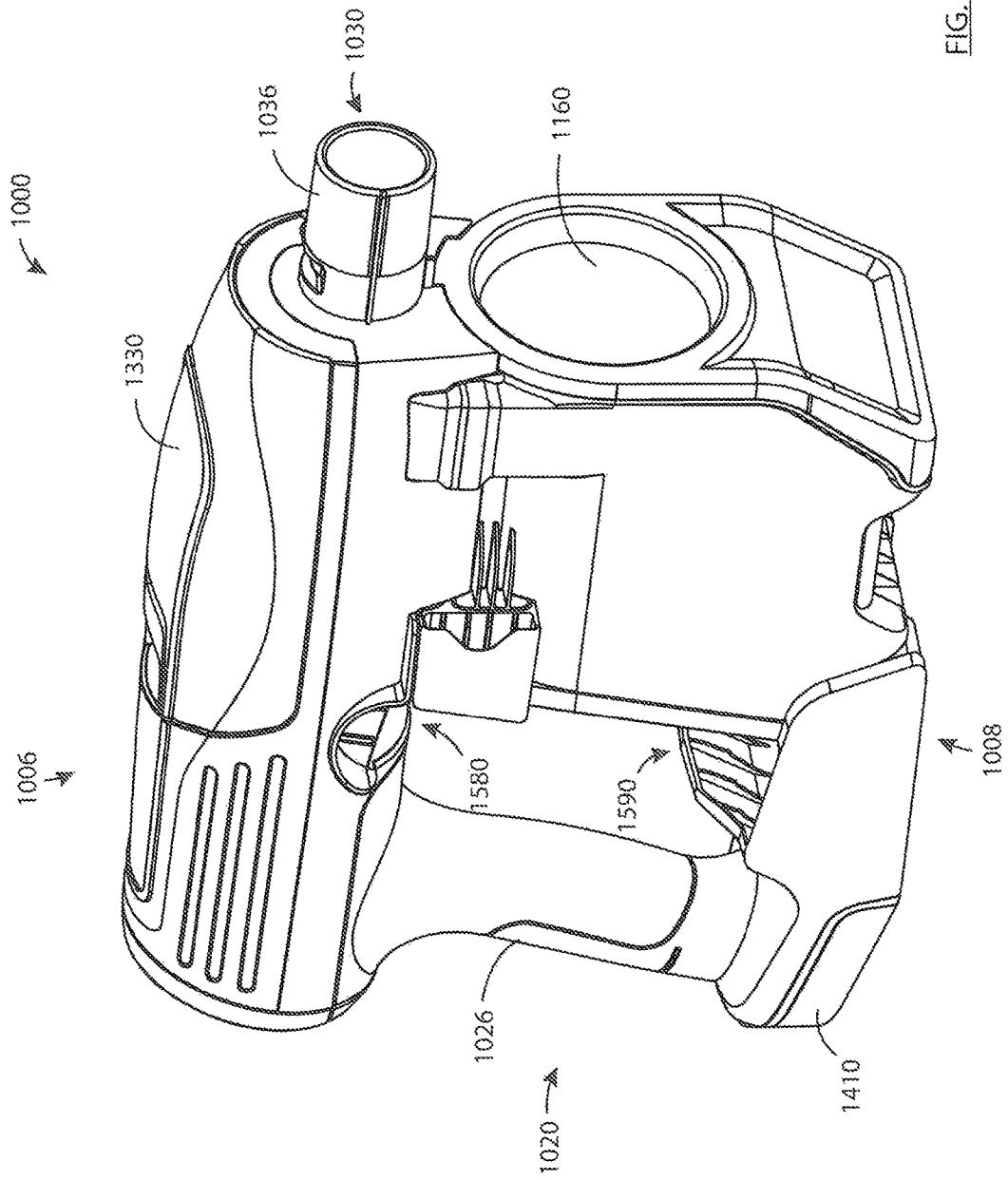
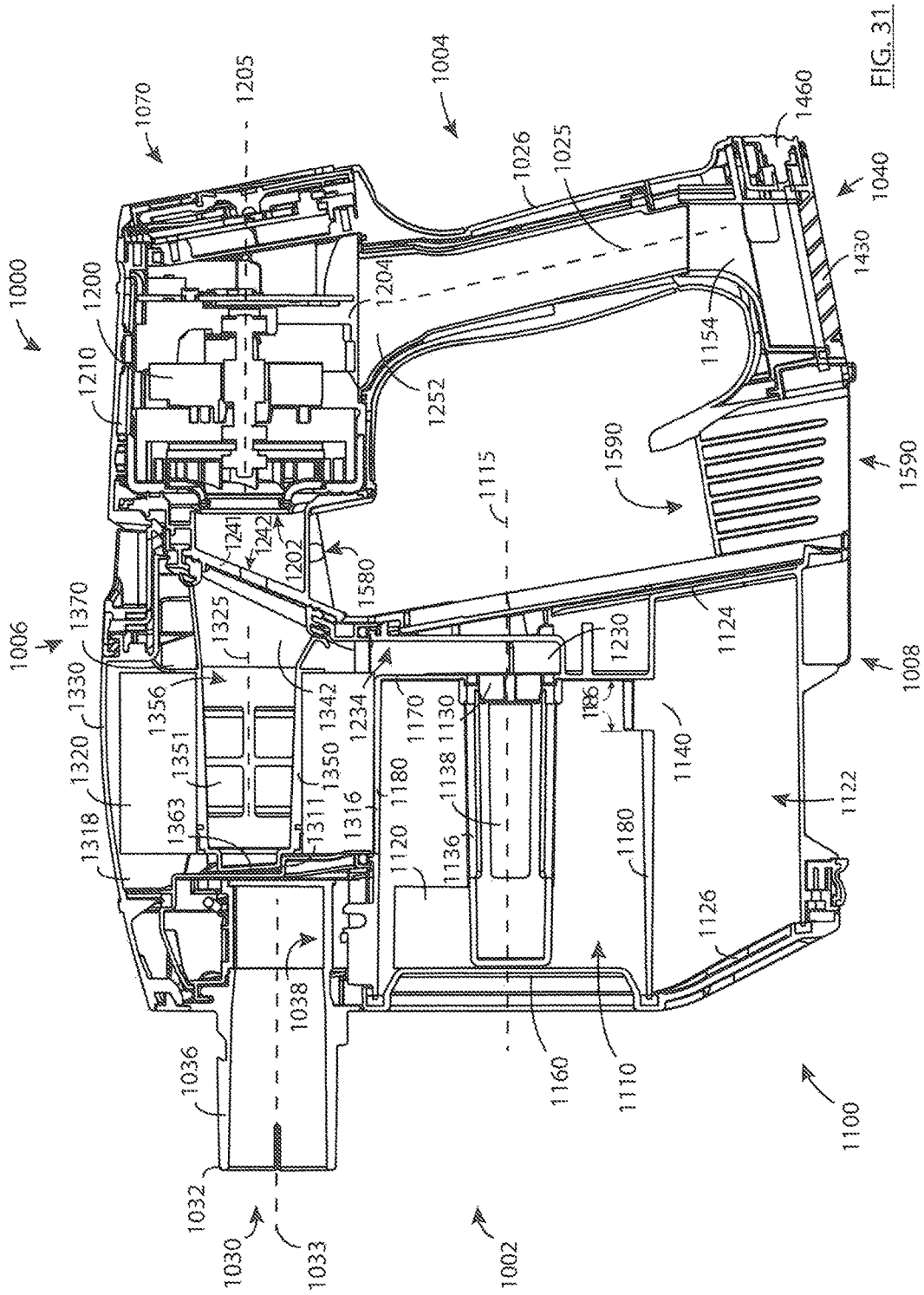


FIG. 30



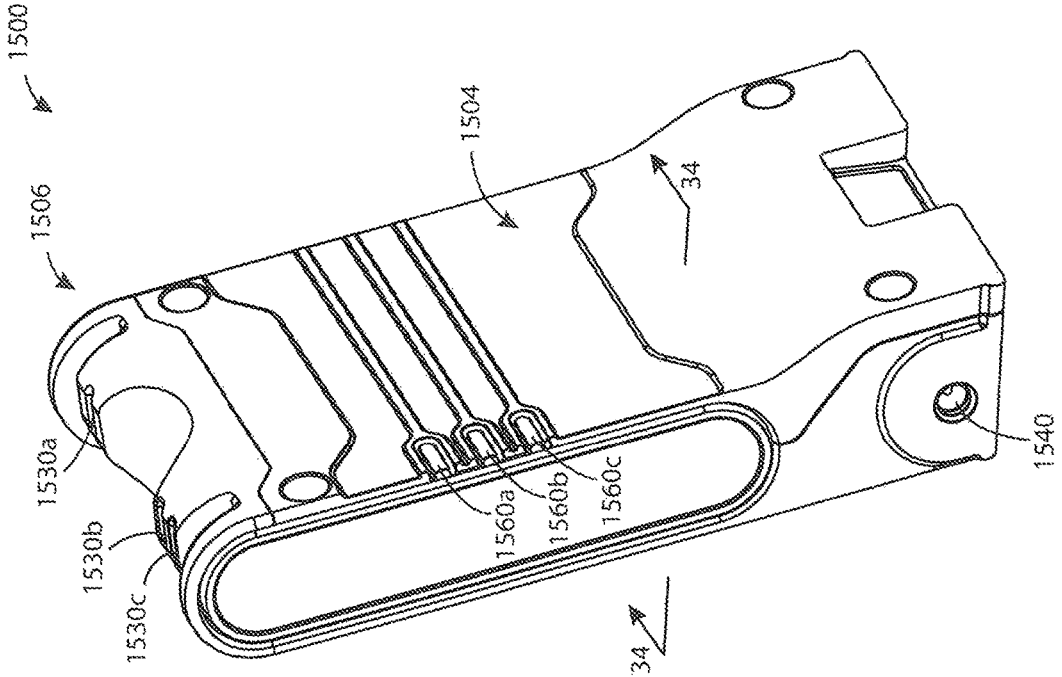


FIG. 32

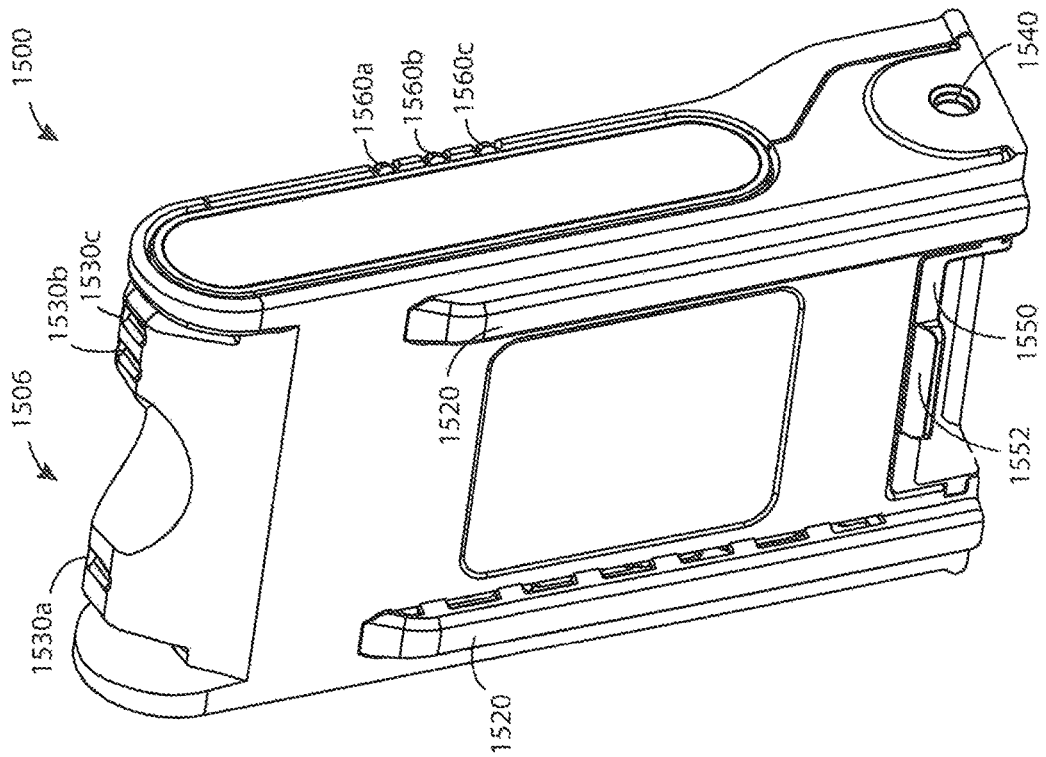


FIG. 33

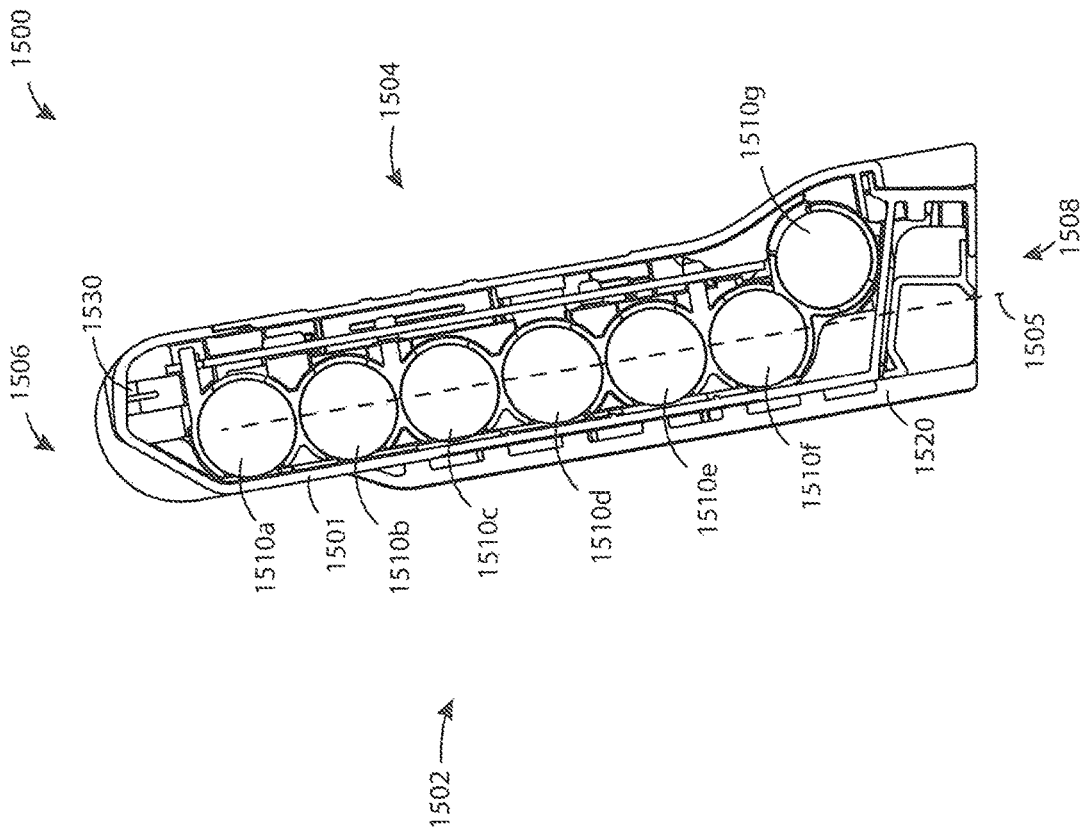
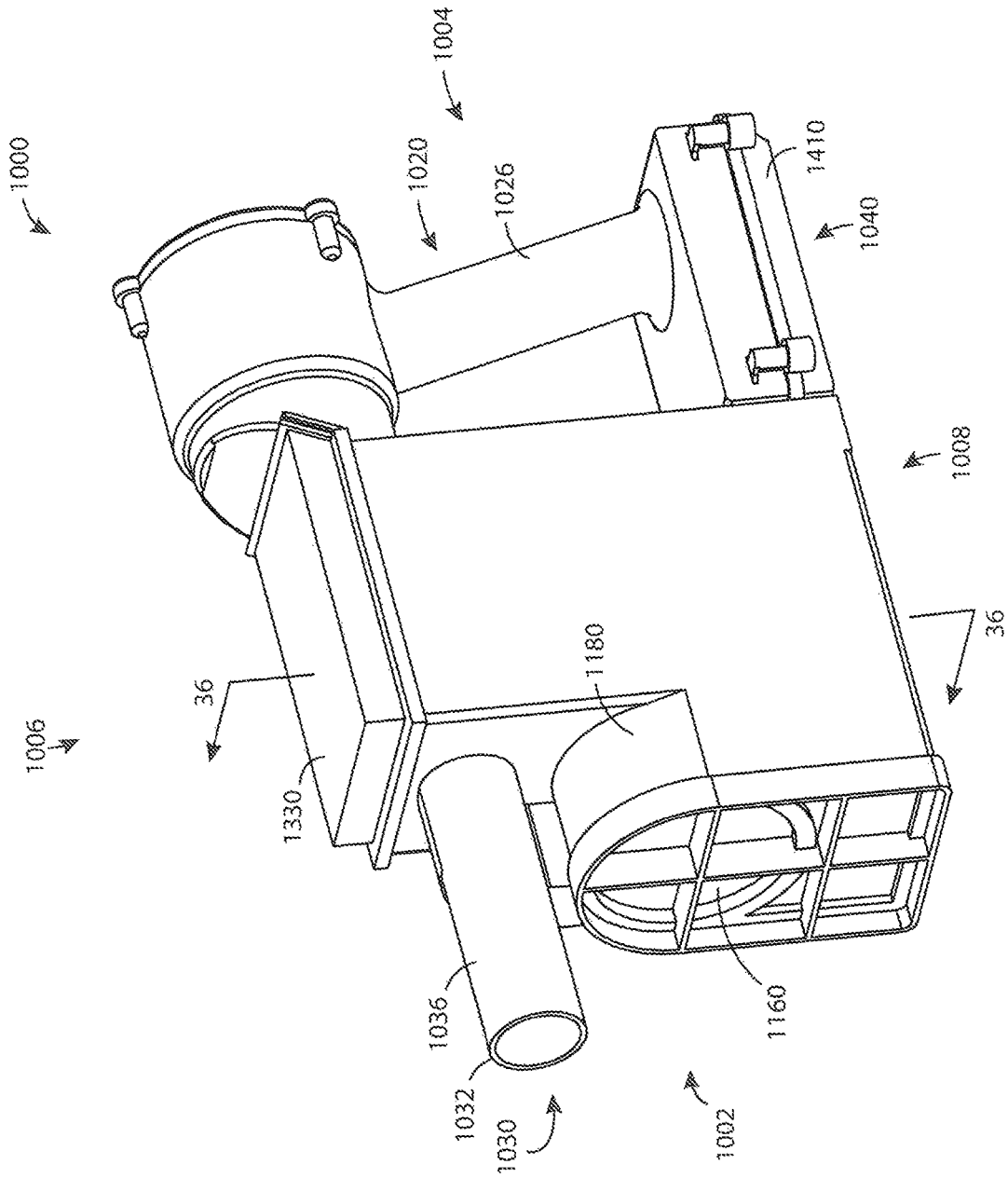


FIG. 34



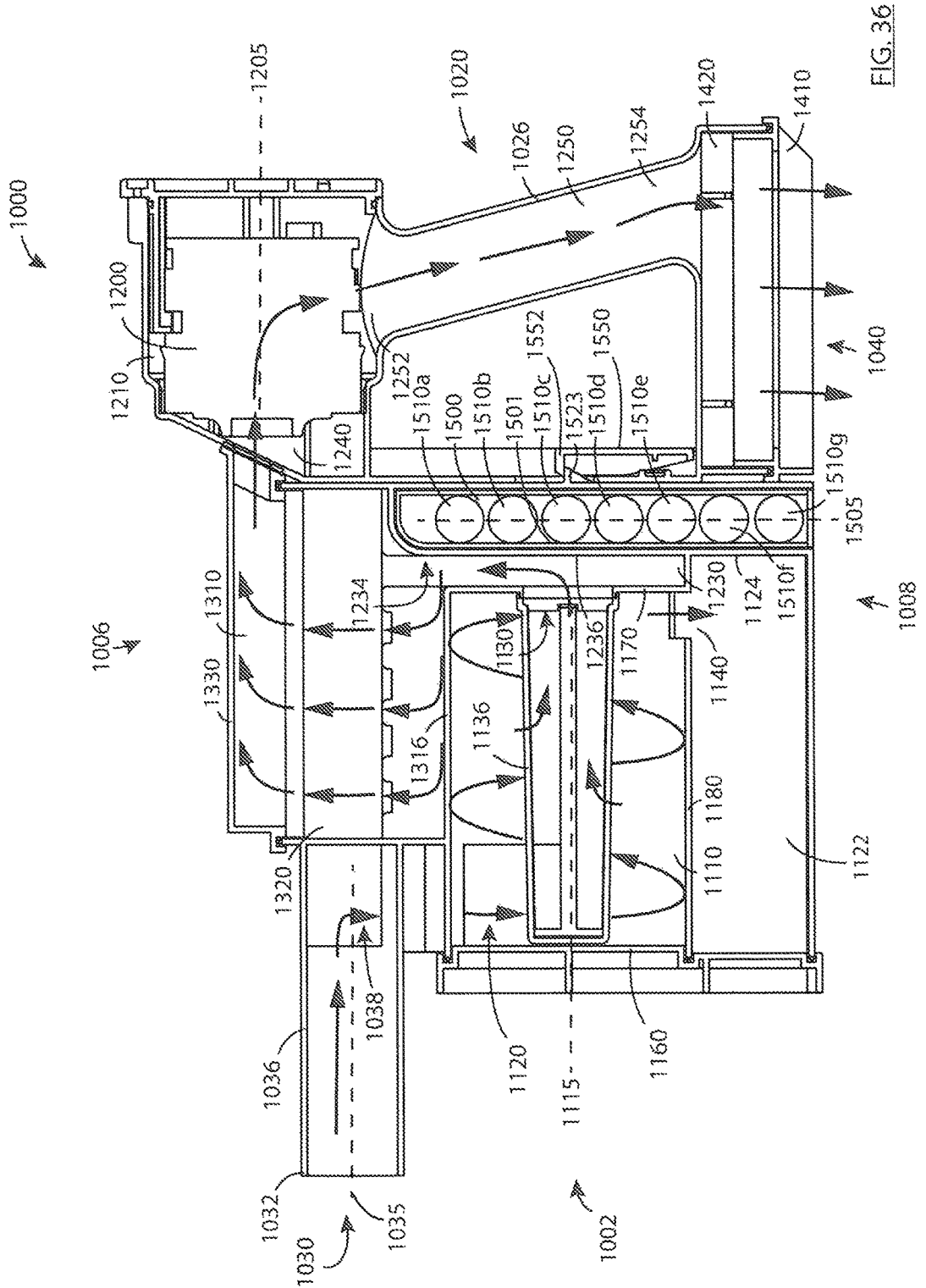


FIG. 36

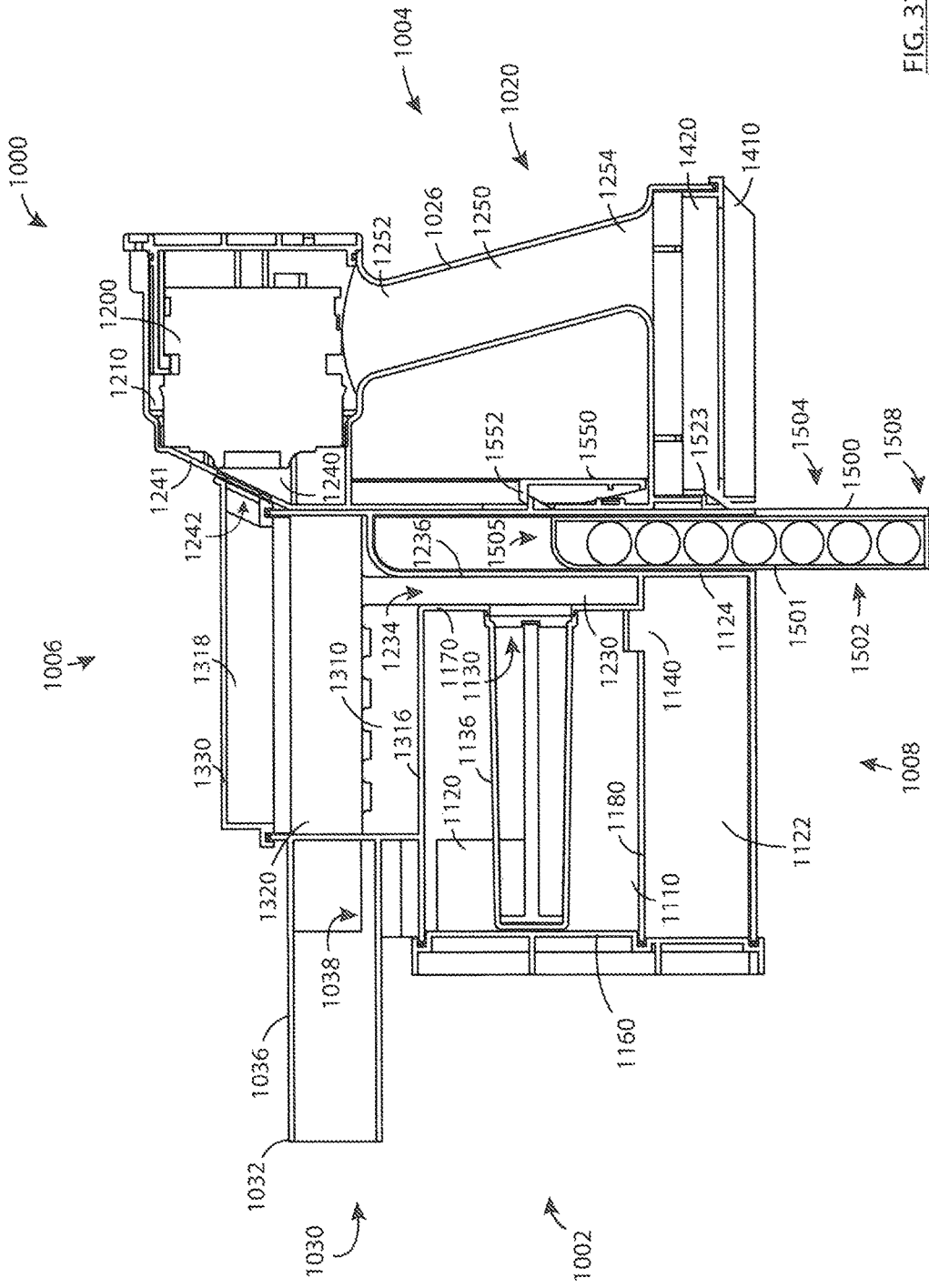


FIG. 37

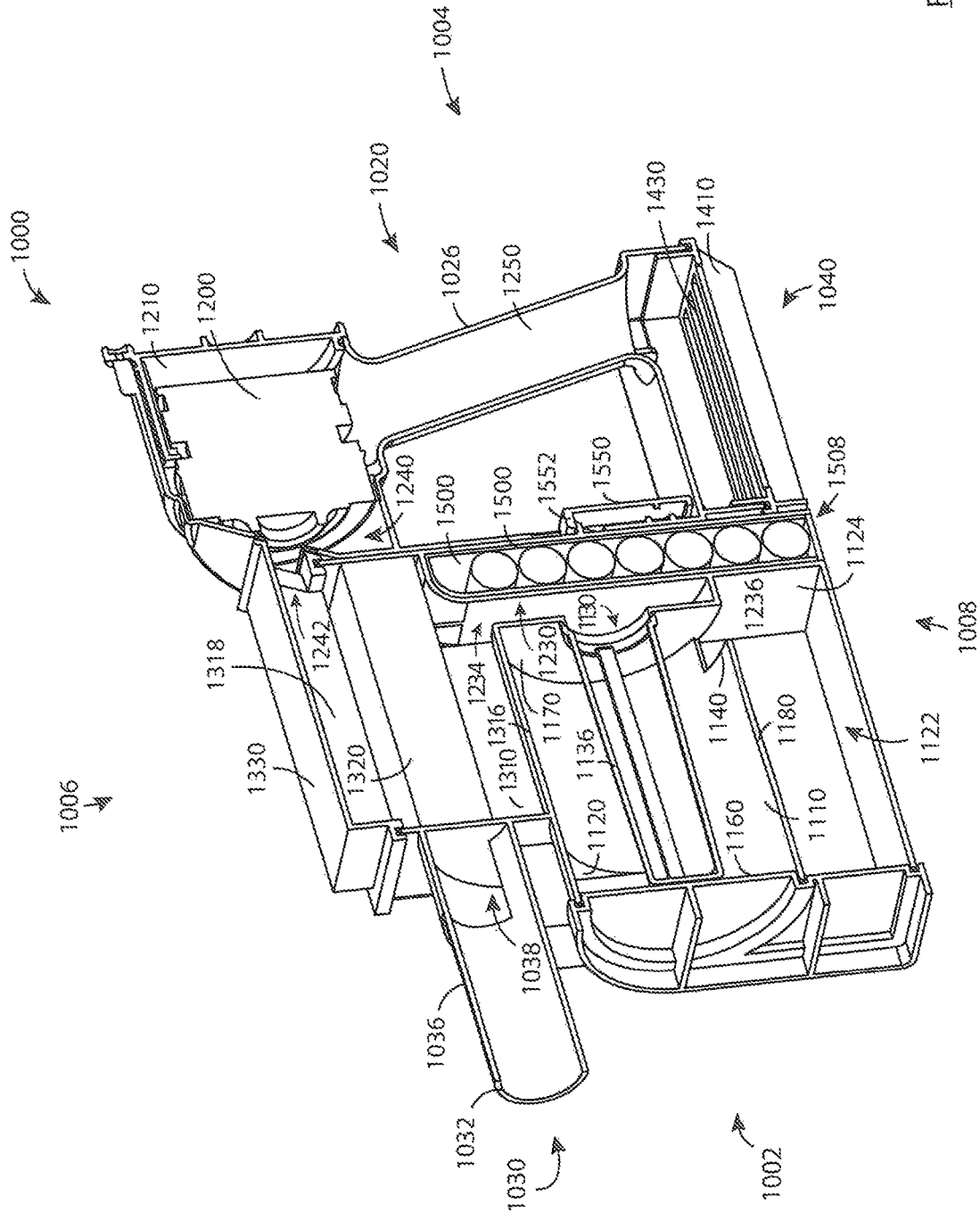
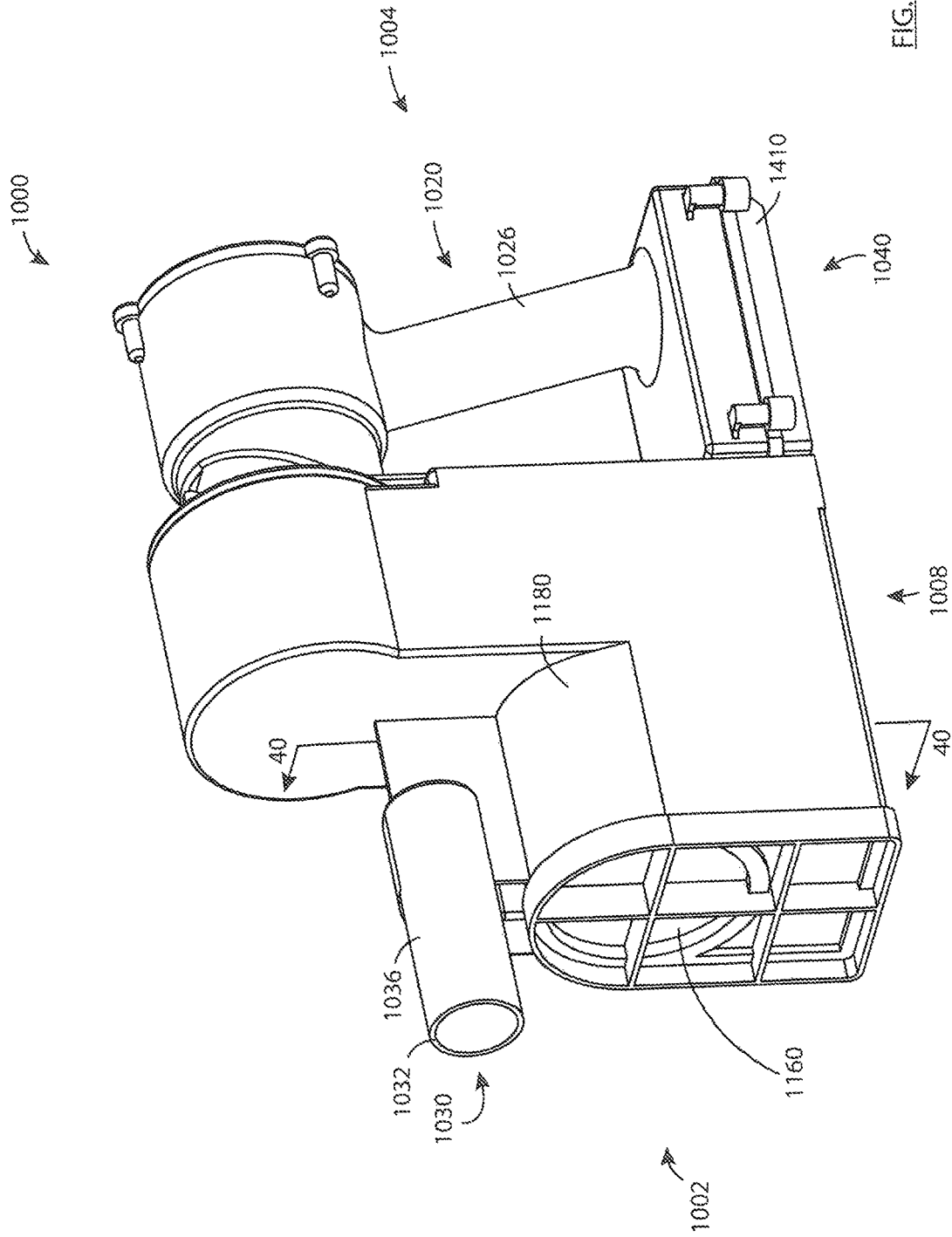


FIG. 38



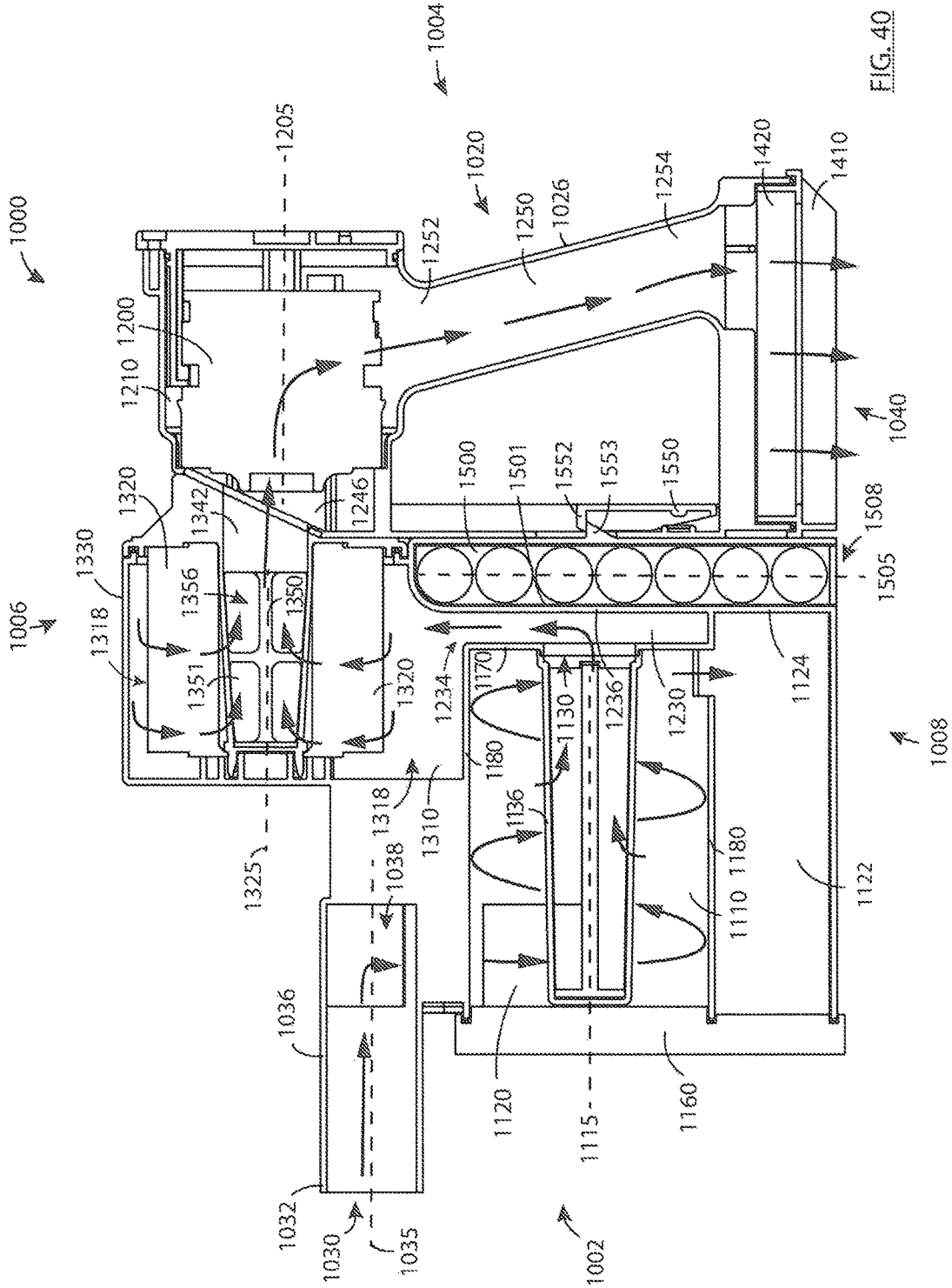


FIG. 40

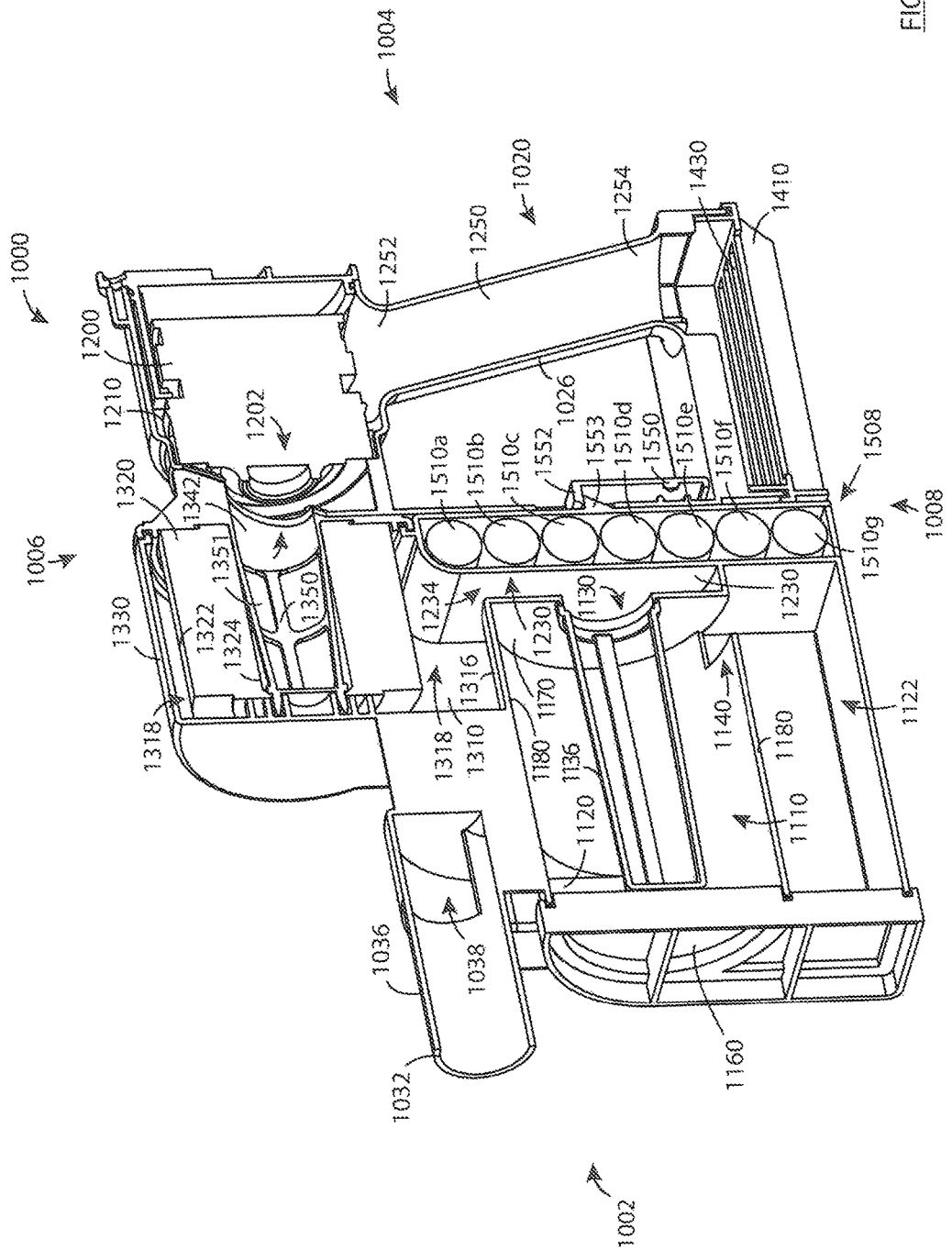


FIG. 41

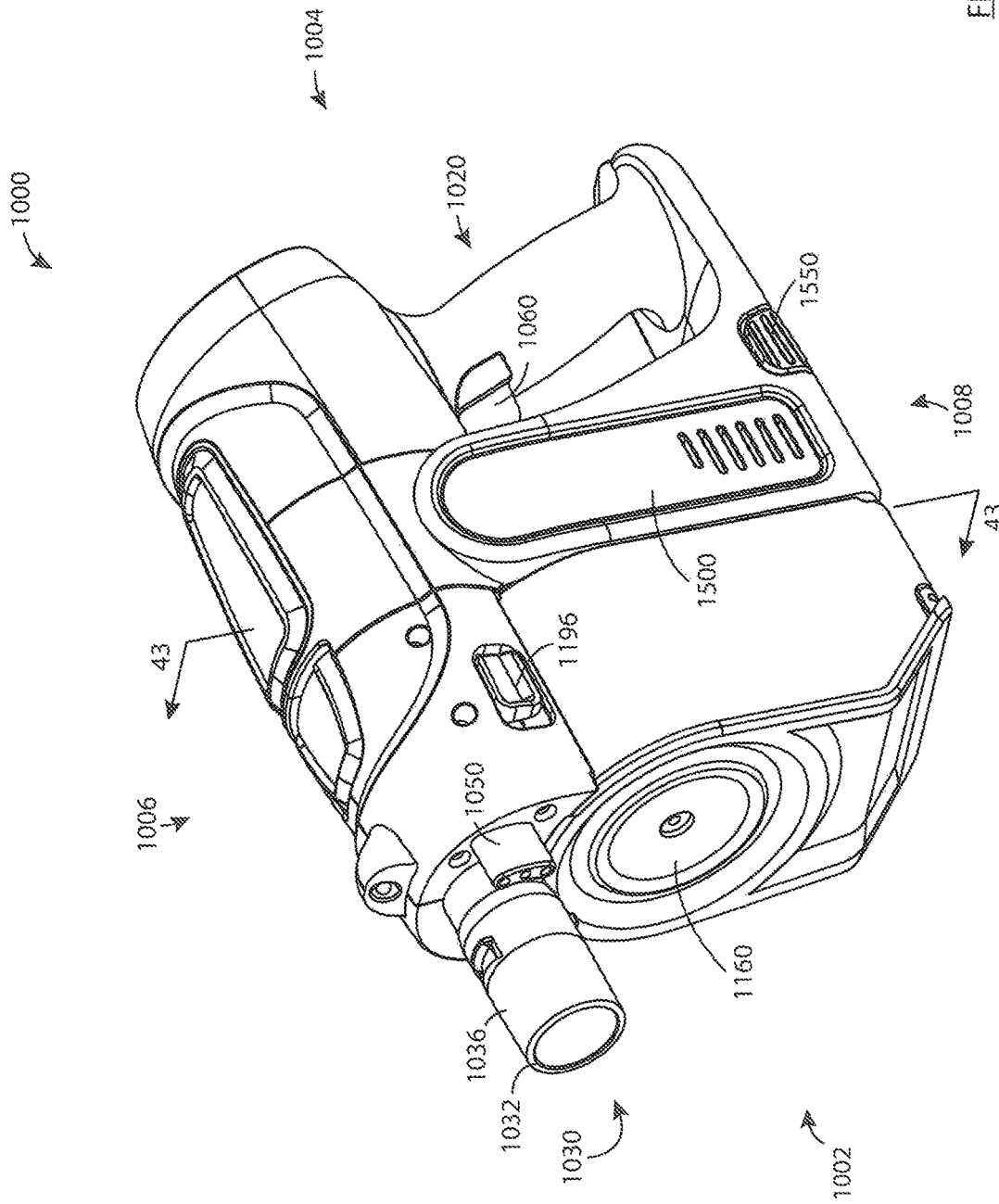


FIG. 42

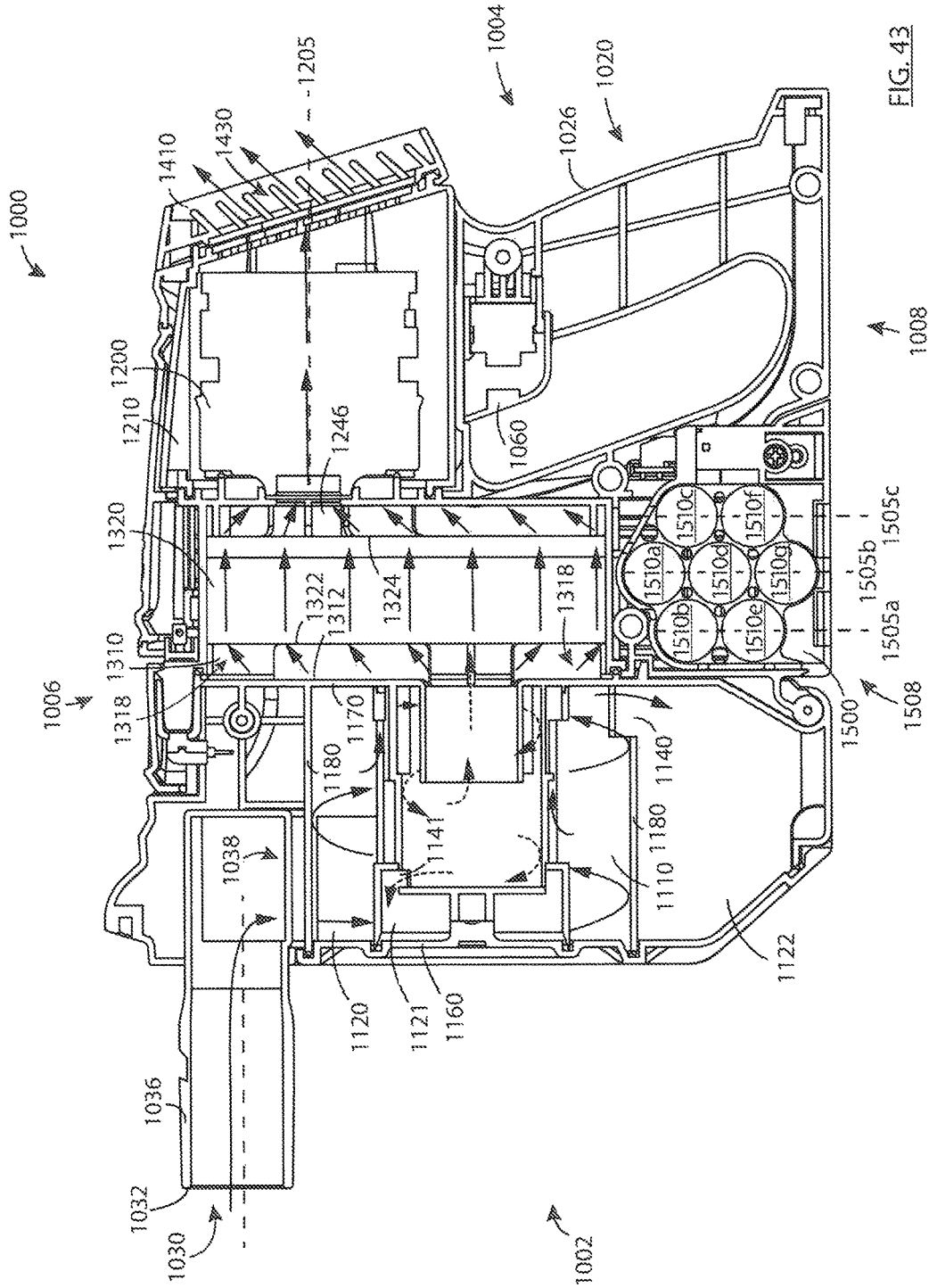


FIG. 43

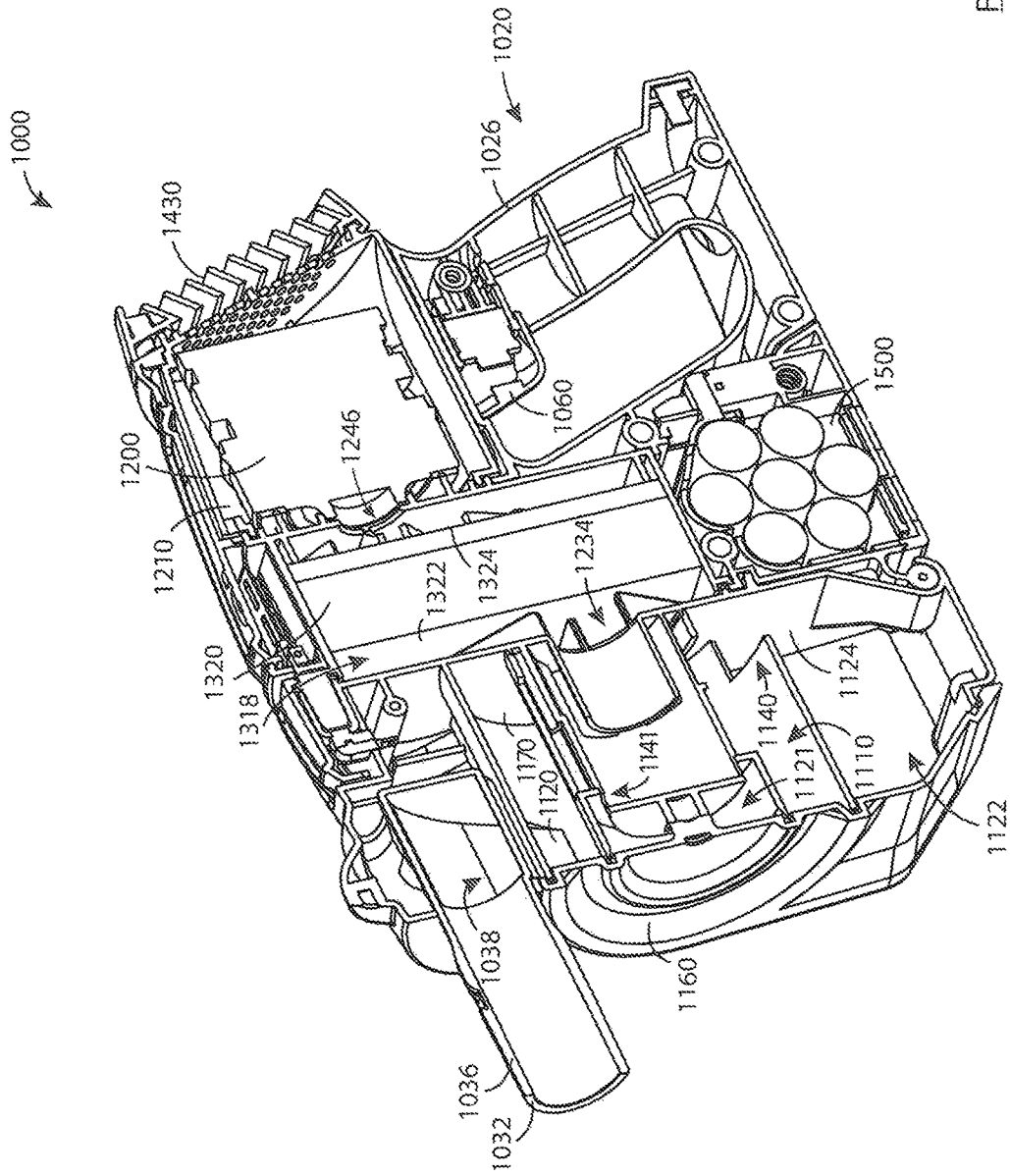


FIG. 44

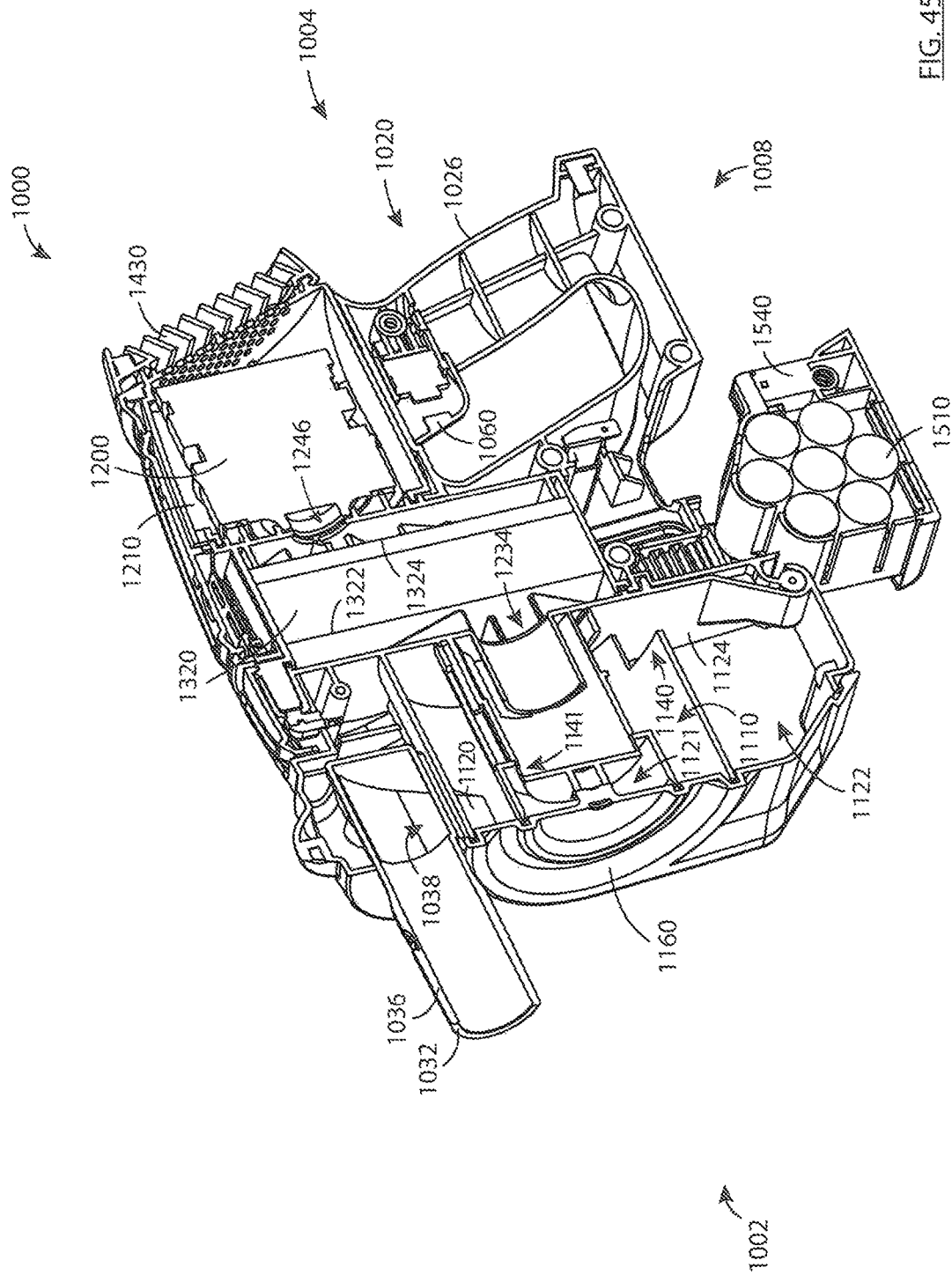


FIG. 45

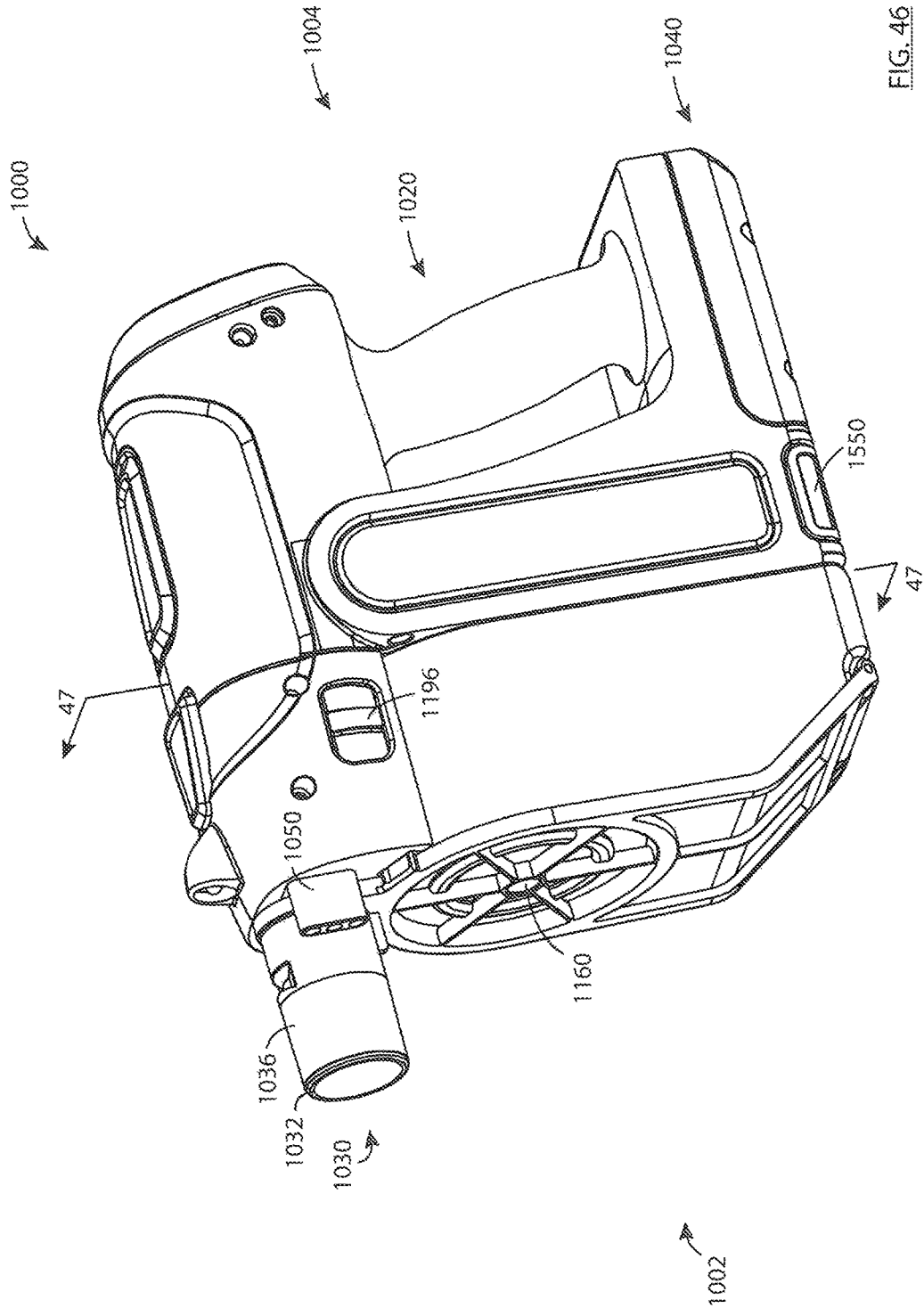
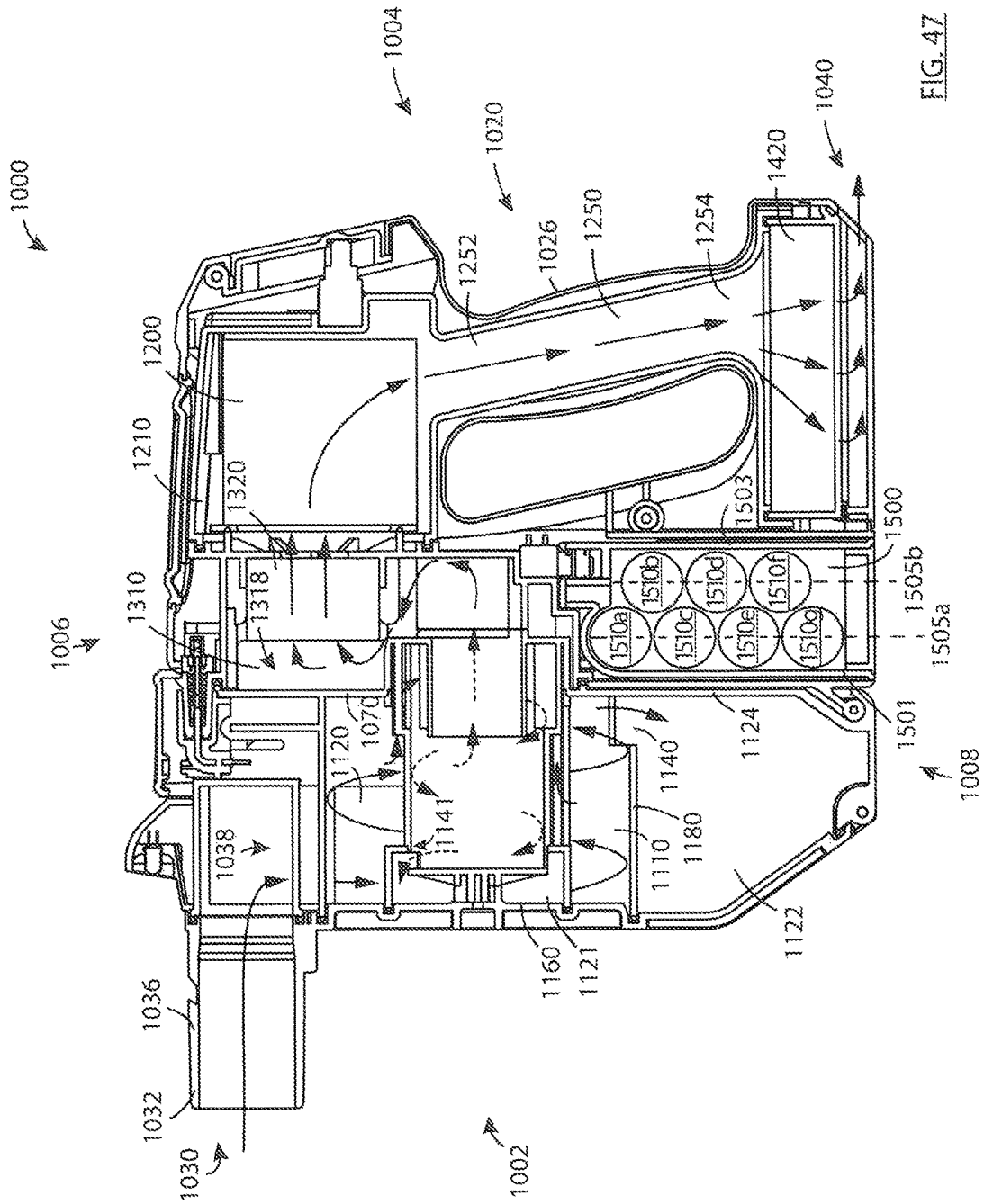


FIG. 46



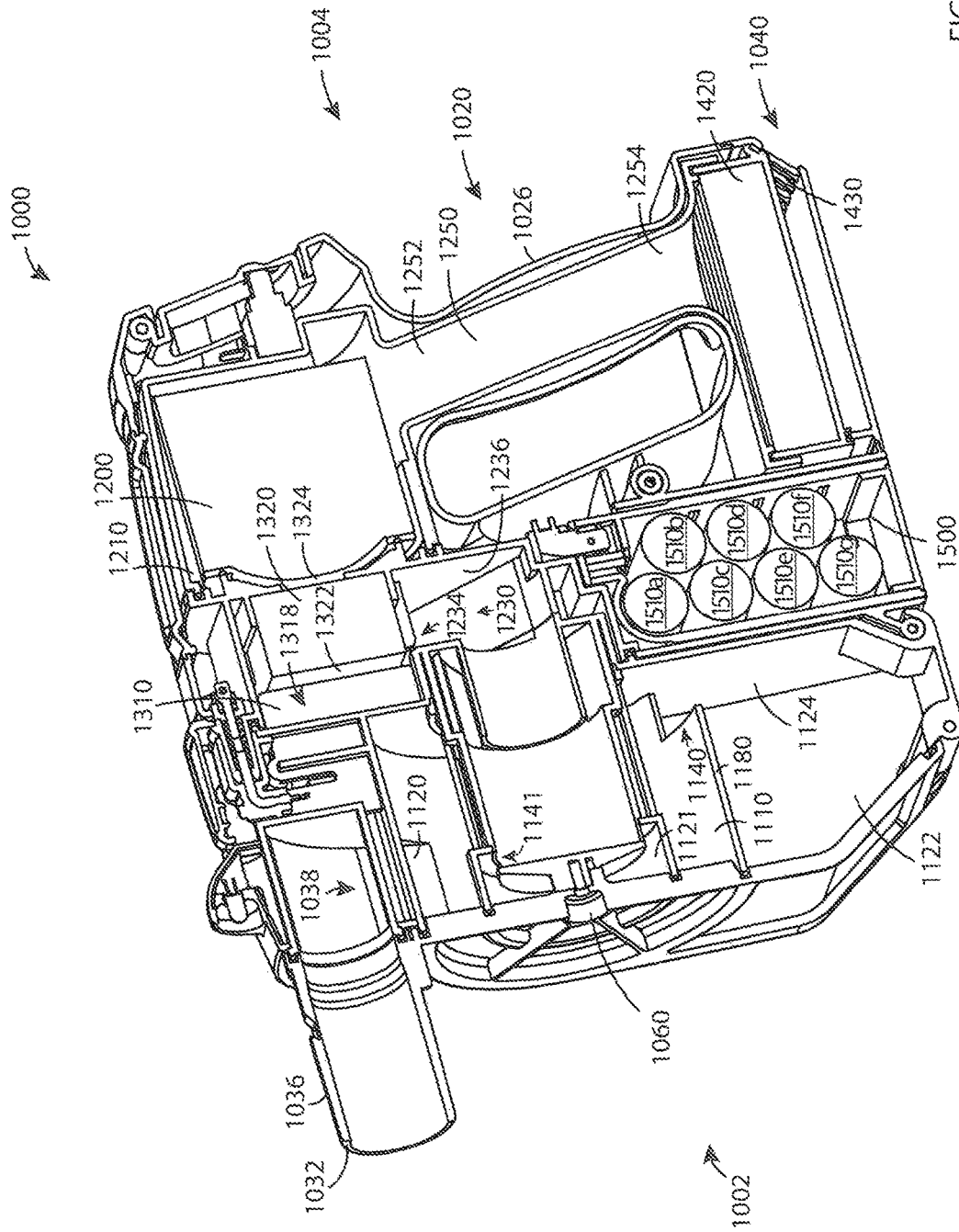


FIG. 48

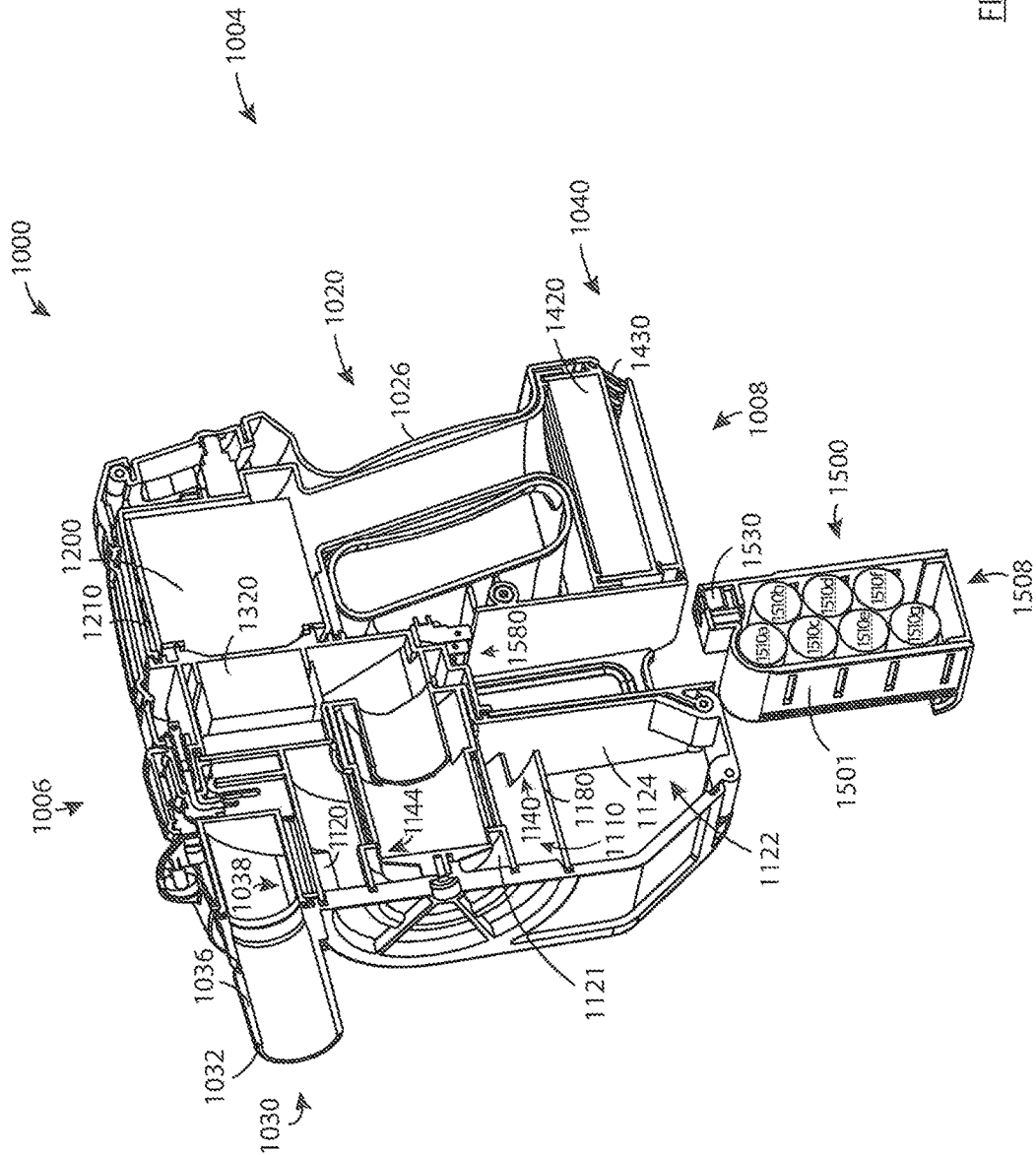


FIG. 49

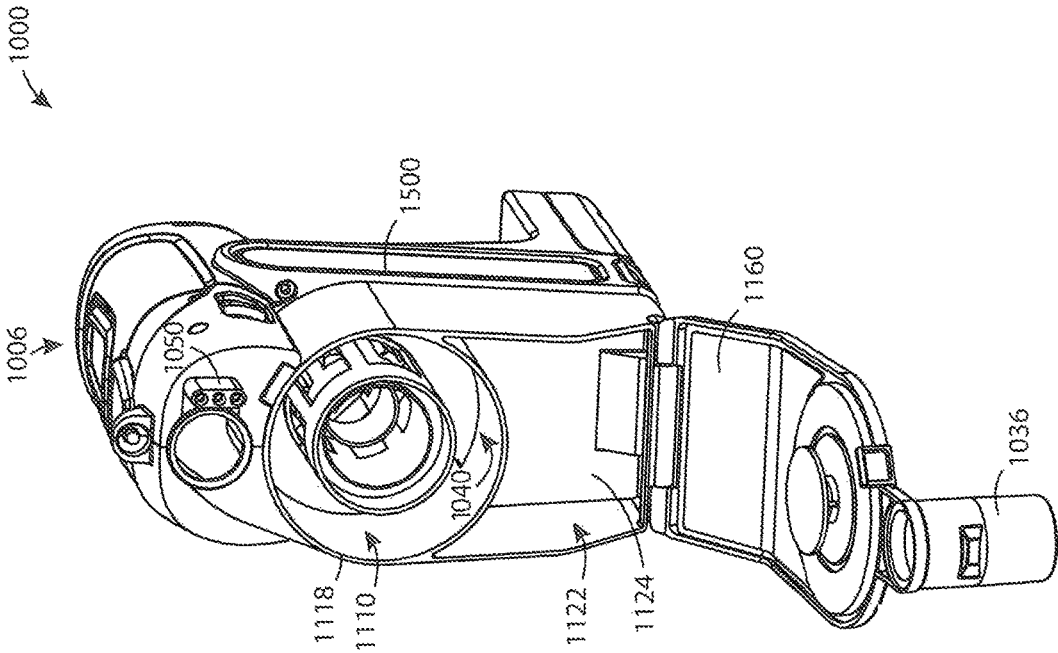


FIG. 50

1

**HANDHELD SURFACE CLEANING
APPARATUS**

FIELD

This disclosure relates generally to surface cleaning apparatus. In a preferred embodiment, the surface cleaning apparatus comprises a portable surface cleaning apparatus, such as a hand vacuum cleaner.

INTRODUCTION

The following is not an admission that anything discussed below is part of the prior art or part of the common general knowledge of a person skilled in the art.

Various types of surface cleaning apparatus are known, including upright surface cleaning apparatus, canister surface cleaning apparatus, stick surface cleaning apparatus, central vacuum systems, and hand carryable surface cleaning apparatus such as hand vacuums. Further, various designs for cyclonic hand vacuum cleaners, including battery operated cyclonic hand vacuum cleaners are known in the art.

SUMMARY

The following introduction is provided to introduce the reader to the more detailed discussion to follow. The introduction is not intended to limit or define any claimed or as yet unclaimed invention. One or more inventions may reside in any combination or sub-combination of the elements or process steps disclosed in any part of this document including its claims and figures.

In accordance with one aspect of this disclosure, which may be used alone or in combination with any other aspect, a hand vacuum cleaner may be powered by an onboard energy source, such as a battery pack or other energy storage member. The energy storage member may include a chemical battery, such as a rechargeable battery. Some chemical batteries, such as lithium-ion batteries, may produce heat while being discharged (e.g. while supplying power to an electric motor). As disclosed herein, a hand vacuum cleaner may have an airflow path in which air exiting a cyclone chamber impinges on a wall of an energy storage chamber in which one or more energy storage devices are located. By directing relatively high-velocity airflow directly against a wall of such a chamber, cooling of an energy storage member (e.g. battery) located in the chamber may be promoted, particularly during discharge of the battery.

In accordance with this broad aspect, there is provided a hand vacuum cleaner having a front end, a rear end, an upper end, a lower end, and first and second laterally spaced apart sides, and comprising:

- (a) an air flow path extending from a dirty air inlet to a clean air outlet;
- (b) a cyclone chamber positioned in the air flow path and having a cyclone air inlet, a cyclone air outlet, and a cyclone axis of rotation;
- (c) a suction motor positioned in the air flow path upstream of the clean air outlet; and,
- (d) at least one energy storage member positioned in an energy storage chamber having an energy storage chamber wall wherein the cyclone air outlet faces the energy storage chamber wall whereby air exiting the cyclone chamber impinges on the energy storage chamber wall.

In some embodiments, the cyclone axis of rotation may extend generally in a forward/rearward direction.

2

In some embodiments, the at least one energy storage member may comprise a plurality of energy storage members wherein at least some of the plurality of energy storage members are arranged one above another in a generally upwardly extending configuration when the upper end of the hand vacuum cleaner is positioned above the lower end of the hand vacuum cleaner.

In some embodiments, the energy storage members may be arranged one above another comprise longitudinally extending members each having a longitudinal axis which that extends laterally.

In some embodiments, the cyclone axis of rotation may intersect a volume defined by the generally upwardly extending configuration of energy storage members.

In some embodiments, the cyclone axis of rotation may extend generally in a forward/rearward direction.

In some embodiments, the at least one energy storage member may be removably receivable in the energy storage chamber.

In some embodiments, the at least one energy storage member may comprise a battery pack that is removably receivable in the energy storage chamber.

In some embodiments, the air flow path may comprise a portion that extends from the cyclone air outlet to the suction motor and is defined in part by the energy storage chamber wall.

In some embodiments, the portion of the air flow path may extend generally upwardly from the cyclone air outlet to the suction motor when the upper end of the hand vacuum cleaner is positioned above the lower end of the hand vacuum cleaner.

In some embodiments, the suction motor may be positioned above the cyclone axis of rotation when the upper end of the hand vacuum cleaner is positioned above the lower end of the hand vacuum cleaner.

In some embodiments, the portion of the air flow path may extend generally downwardly from the cyclone air outlet to the suction motor when the upper end of the hand vacuum cleaner is positioned above the lower end of the hand vacuum cleaner.

In some embodiments, the suction motor may be positioned below the cyclone axis of rotation when the upper end of the hand vacuum cleaner is positioned above the lower end of the hand vacuum cleaner.

In some embodiments, the hand vacuum cleaner may further comprise a handle having a hand grip portion that extends upwardly and forwardly when the upper end of the hand vacuum cleaner is positioned above the lower end of the hand vacuum cleaner wherein the handle is positioned rearward of the at least one energy storage member.

In some embodiments, the at least one energy storage member may comprise a plurality of energy storage members wherein at least some of the plurality of energy storage members are arranged one above another in a generally upwardly extending configuration when the upper end of the hand vacuum cleaner is positioned above the lower end of the hand vacuum cleaner.

In some embodiments, the hand vacuum cleaner may further comprise a finger gap positioned between the handle and the energy storage chamber.

In accordance with another aspect of this disclosure, which may be used alone or in combination with any other aspect, a hand vacuum cleaner may have a cyclone chamber, a suction motor, and pre-motor filter positioned downstream of the cyclone chamber and upstream of the suction motor. The pre-motor filter may be vertically spaced from the cyclone chamber, and air may travel generally rearwardly

3

from the pre-motor filter to the suction motor. Promoting air to travel in this manner may help reduce or eliminate the need for additional bends or air flow direction changes between an air outlet of the pre-motor filter and the suction motor, thereby reducing backpressure and/or air flow losses through this portion of the hand vacuum cleaner due to a reduction in the number of bends in the air flow path.

In accordance with this broad aspect, there is provided a hand vacuum cleaner having a front end, a rear end, an upper end, a lower end, and first and second laterally spaced apart sides, and comprising:

- (a) an air flow path extending from a dirty air inlet to a clean air outlet;
- (b) a cyclone assembly comprising a cyclone chamber positioned in the air flow path and having a cyclone air inlet, a cyclone air outlet, and a cyclone axis of rotation, wherein the cyclone axis of rotation extends generally in a forward/rearward direction;
- (c) a pre-motor filter positioned downstream of the cyclone air outlet; and,
- (d) a suction motor positioned in the air flow path downstream of the pre-motor filter and upstream of the clean air outlet and having a suction motor axis of rotation; wherein the pre-motor filter is vertically spaced from the cyclone axis of rotation when the upper end of the hand vacuum cleaner is positioned above the lower end of the hand vacuum cleaner, and

wherein air travels generally rearwardly from the pre-motor filter to the suction motor.

In some embodiments, the pre-motor filter may be vertically spaced from the cyclone chamber when the upper end of the hand vacuum cleaner is positioned above the lower end of the hand vacuum cleaner.

In some embodiments, the cyclone assembly may comprise a sidewall that extends generally parallel to the cyclone axis of rotation and the pre-motor filter may have an upstream surface that extends generally parallel to the sidewall of the cyclone assembly.

In some embodiments, the pre-motor filter may have a downstream surface that is opposed to the upstream surface, and air may exit the downstream surface in a generally vertical direction when the upper end of the hand vacuum cleaner is positioned above the lower end of the hand vacuum cleaner.

In some embodiments, the pre-motor filter may at least partially overlie the cyclone chamber.

In some embodiments, the suction motor axis of rotation may be generally parallel to the cyclone axis of rotation.

In some embodiments, the suction motor may be positioned rearward of the cyclone chamber and the suction motor axis of rotation may be generally parallel to the cyclone axis of rotation.

In some embodiments, the pre-motor filter may comprise a generally cylindrical filter having a hollow interior wherein the suction motor has an inlet end that faces towards the hollow interior.

In some embodiments, the generally cylindrical filter may have an outer upstream surface and an inner downstream surface defining the hollow interior and the suction motor axis of rotation may intersect the hollow interior.

In some embodiments, the cyclone assembly may comprise a sidewall that extends generally parallel to the cyclone axis of rotation and the upstream surface of the pre-motor filter may extend generally parallel to the sidewall of the cyclone assembly.

In some embodiments, the pre-motor filter may at least partially overlie the cyclone chamber.

4

In some embodiments, the hand vacuum cleaner may further comprise a handle having a hand grip portion that extends upwardly and forwardly when the upper end of the hand vacuum cleaner is positioned above the lower end of the hand vacuum cleaner wherein the suction motor is located at an upper end of the handle.

In some embodiments, the suction motor may be positioned rearward of the cyclone chamber.

In some embodiments, the suction motor may be located at an upper end of the hand grip portion.

Also in accordance with this broad aspect, there is provided a hand vacuum cleaner having a front end, a rear end, an upper end, a lower end, and first and second laterally spaced apart sides, and comprising:

- (a) an air flow path extending from a dirty air inlet to a clean air outlet;
- (b) a cyclone assembly comprising a cyclone chamber positioned in the air flow path and having a cyclone air inlet, a cyclone air outlet and a cyclone axis of rotation, wherein the cyclone axis of rotation extends generally in a forward/rearward direction;
- (c) a generally cylindrical pre-motor filter positioned downstream of the cyclone air outlet and having a hollow interior; and,
- (d) a suction motor positioned in the air flow path downstream of the pre-motor filter and upstream of the clean air outlet and having a suction motor axis of rotation that is generally parallel to the cyclone axis of rotation, wherein the suction motor has an inlet end that faces towards the hollow interior.

In some embodiments, the generally cylindrical filter may have an outer upstream surface and an inner downstream surface defining the hollow interior and the suction motor axis of rotation may intersect the hollow interior.

In some embodiments, the cyclone assembly may comprise a sidewall that extends generally parallel to the cyclone axis of rotation and the upstream surface of the pre-motor filter may extend generally parallel to the sidewall of the cyclone assembly.

In some embodiments, the pre-motor filter may at least partially overlie the cyclone chamber.

In accordance with another aspect of this disclosure, which may be used alone or in combination with any other aspect, it may be desirable for a hand vacuum cleaner to have a compact overall form, for example so it can be maneuvered around and/or between objects when being carried by a user while cleaning one or more surfaces. A compact form may also improve the ergonomics of the hand vacuum (e.g. the perceived balance or 'hand feel' when carried by a user). Typically, the suction motor and energy storage members (e.g. one or more batteries) may be among the heavier (if not the heaviest) individual components of the hand vacuum cleaner. While positioning the suction motor and energy storage members adjacent to each other may promote a compact design, such an arrangement may promote an undesirable concentration of mass relative to a handle of the hand vacuum cleaner. Positioning the suction motor at an upper end of a forwardly-inclined handle and rearward of at least some of the energy storage members, particularly when some or all of the energy storage members are forward of the handle, may help distribute the weight of the motor and batteries, and may affect the hand feel and/or perceived balance of the hand vacuum.

In accordance with this broad aspect, there is provided a hand vacuum cleaner having a front end, a rear end, an upper end, a lower end, and first and second laterally spaced apart sides, and comprising:

5

- (a) an air flow path extending from a dirty air inlet to a clean air outlet;
- (b) a handle having a hand grip portion that extends upwardly and forwardly when the upper end of the hand vacuum cleaner is positioned above the lower end of the hand vacuum cleaner;
- (c) a cyclone chamber positioned in the air flow path and having a cyclone air inlet, a cyclone air outlet, and a cyclone axis of rotation;
- (d) at least one energy storage member positioned in an energy storage chamber; and,
- (e) a suction motor positioned in the air flow path upstream of the clean air outlet, wherein the suction motor is located at an upper end of the handle and rearward of the at least one energy storage member when the upper end of the hand vacuum cleaner is positioned above the lower end of the hand vacuum cleaner.

In some embodiments, the suction motor may be located at an upper end of the hand grip portion.

In some embodiments, the at least one energy storage member may comprise a plurality of energy storage members wherein at least some of the plurality of energy storage members may be arranged one above another in a generally upwardly extending configuration when the upper end of the hand vacuum cleaner is positioned above the lower end of the hand vacuum cleaner and the suction motor may be positioned rearward of at least some of the energy storage members when the upper end of the hand vacuum cleaner is positioned above the lower end of the hand vacuum cleaner.

In some embodiments, the cyclone axis of rotation may intersect a volume defined by the generally upwardly extending configuration of energy storage members.

In some embodiments, the cyclone axis of rotation may extend generally in a forward/rearward direction.

In some embodiments, the at least one energy storage member may comprise a plurality of energy storage members wherein at least some of the plurality of energy storage members may be arranged one above another in a generally upwardly extending configuration when the upper end of the hand vacuum cleaner is positioned above the lower end of the hand vacuum cleaner and the suction motor may be positioned rearward of an upper end of the plurality of energy storage members when the upper end of the hand vacuum cleaner is positioned above the lower end of the hand vacuum cleaner.

In some embodiments, the cyclone axis of rotation may extend generally in a forward/rearward direction.

In some embodiments, the suction motor may be positioned above the cyclone axis of rotation when the upper end of the hand vacuum cleaner is positioned above the lower end of the hand vacuum cleaner.

In some embodiments, the hand vacuum may further comprise a pre-motor filter positioned in the air flow path downstream of the cyclone chamber, the pre-motor filter comprising a generally cylindrical filter having a hollow interior wherein the suction motor has an inlet end that faces towards the hollow interior.

In some embodiments, the generally cylindrical filter may have an outer upstream surface and an inner downstream surface defining the hollow interior and the suction motor axis of rotation may intersect the hollow interior.

In some embodiments, the cyclone chamber may comprise a sidewall that extends generally parallel to the cyclone axis of rotation and the upstream surface of the pre-motor filter may extend generally parallel to the sidewall of the cyclone chamber.

6

In some embodiments, the pre-motor filter may at least partially overlie the cyclone chamber.

In some embodiments, the dirty air inlet may have a dirty air inlet axis that extends generally rearwardly and may be positioned above the cyclone chamber.

In some embodiments, the dirty air inlet axis may intersect a volume defined by a pre-motor filter housing.

In some embodiments, the dirty air inlet axis may intersect the suction motor.

In some embodiments, the hand vacuum may further comprise a pre-motor filter positioned in the air flow path downstream of the cyclone chamber, the pre-motor filter comprising a generally cylindrical filter having a hollow interior wherein the dirty air inlet has a dirty air inlet axis that extends generally rearwardly and intersects the hollow interior.

In some embodiments, the dirty air inlet axis may intersect the suction motor.

In accordance with another aspect of this disclosure, which may be used alone or in combination with any other aspect, a hand vacuum cleaner may have an energy storage member (e.g. a battery pack that includes one or more battery cells) that is inclined so that a portion of a dirt collection region may be located below a portion of the energy storage member. Providing at least some vertical overlap between an energy storage member and a dirt collection region may help provide a relatively larger dirt chamber capacity while helping to reduce the overall size of the hand vacuum. Also, as the energy storage members (e.g. one or more batteries) may typically be among the heavier individual components of the hand vacuum cleaner, such a configuration may help provide a compact overall design, while distributing the weight of the batteries to promote a desirable hand feel and/or perceived balance of the hand vacuum.

In accordance with this broad aspect, there is provided a hand vacuum cleaner having a front end, a rear end, an upper end, a lower end, and first and second laterally spaced apart sides, and comprising:

- (a) an air flow path extending from a dirty air inlet to a clean air outlet;
- (b) a cyclone assembly positioned in the air flow path and having a cyclone assembly air inlet, a cyclone assembly air outlet, a dirt collection region, and a cyclone axis of rotation;
- (c) a suction motor positioned in the air flow path upstream of the clean air outlet; and,
- (d) a longitudinally extending battery pack wherein the battery pack extends upwardly and forwardly when the upper end of the hand vacuum cleaner is positioned above the lower end of the hand vacuum cleaner, wherein a portion of the dirt collection region is located below a portion of the battery pack.

In some embodiments, the dirt collection region may have an upper portion and a lower portion when the upper end of the hand vacuum cleaner is positioned above the lower end of the hand vacuum cleaner and the lower portion of the dirt collection region may be positioned rearwardly of the upper portion of the dirt collection region.

In some embodiments, a rear wall of the dirt collection chamber may be at a first angle to a vertical axis.

In some embodiments, the battery pack may be located in a battery pack chamber, the battery pack chamber having a front wall that is at a second angle to a vertical axis.

In some embodiments, the first and second angles may be about the same.

In some embodiments, the battery pack may extend generally linearly.

In some embodiments, the battery pack may be removably receivable in the hand vacuum cleaner.

In some embodiments, the battery pack may be removably receivable in the hand vacuum cleaner, a rear wall of the dirt collection chamber may be at a first angle to a vertical axis and the battery pack may have a front wall that is at a second angle to a vertical axis, wherein the first and second angles may be about the same.

In some embodiments, the dirt collection region may be at a lower end of the hand vacuum cleaner and the battery pack may be slidably insertable into the lower end of the hand vacuum cleaner.

Also in accordance with this broad aspect, there is provided a hand vacuum cleaner having a front end, a rear end, an upper end, a lower end, and first and second laterally spaced apart sides, and comprising:

- (a) an air flow path extending from a dirty air inlet to a clean air outlet;
- (b) a cyclone assembly positioned in the air flow path and having a cyclone assembly air inlet, a cyclone assembly air outlet, a dirt collection region, and a cyclone axis of rotation;
- (c) a suction motor positioned in the air flow path upstream of the clean air outlet; and,
- (d) a plurality of energy storage members arranged one above another in a generally upwardly extending configuration when the upper end of the hand vacuum cleaner is positioned above the lower end of the hand vacuum cleaner, the configuration having a forward side and a rearward side,

wherein a lower end of the forward side of the configuration of energy storage members is positioned rearward of another portion of the forward side of the configuration when the upper end of the hand vacuum cleaner is positioned above the lower end of the hand vacuum cleaner, and,

wherein a portion of the dirt collection region is located below at least a portion of one of the energy storage members.

In some embodiments, the dirt collection region may have an upper portion and a lower portion when the upper end of the hand vacuum cleaner is positioned above the lower end of the hand vacuum cleaner and the lower portion of the dirt collection region may be positioned rearwardly of the upper portion of the dirt collection region.

In some embodiments, a rear wall of the dirt collection chamber may be at a first angle to a vertical axis.

In some embodiments, the energy storage members may be located in an energy storage member chamber, and the energy storage member chamber may have a front wall that is at a second angle to a vertical axis.

In some embodiments, the first and second angles may be about the same.

In some embodiments, the configuration of energy storage members may extend generally linearly.

In some embodiments, the energy storage members may be removably receivable in the hand vacuum cleaner.

In some embodiments, the energy storage members may be removably receivable in the hand vacuum cleaner, a rear wall of the dirt collection chamber may be at a first angle to a vertical axis and the configuration of energy storage members may have a front side that is at a second angle to a vertical axis, wherein the first and second angles may be about the same.

In some embodiments, the dirt collection region may be at a lower end of the hand vacuum cleaner and the energy storage members may be slidably insertable into the lower end of the hand vacuum cleaner.

Also in accordance with this broad aspect, there is provided a hand vacuum cleaner having a front end, a rear end, an upper end, a lower end, and first and second laterally spaced apart sides, and comprising:

- (a) an air flow path extending from a dirty air inlet to a clean air outlet;
- (b) a cyclone assembly positioned in the air flow path and having a cyclone assembly air inlet, a cyclone assembly air outlet, a dirt collection region, and a cyclone axis of rotation;
- (c) a suction motor positioned in the air flow path upstream of the clean air outlet; and,
- (d) a power pack that extends upwardly and forwardly when the upper end of the hand vacuum cleaner is positioned above the lower end of the hand vacuum cleaner,

wherein the dirt collection region has a rear wall that extends upwardly and forwardly when the upper end of the hand vacuum cleaner is positioned above the lower end of the hand vacuum cleaner whereby at least a portion of the dirt collection region is below at least a portion of the power pack.

In some embodiments, the dirt collection region may be at a lower end of the hand vacuum cleaner and the rear wall of the dirt collection chamber may be located proximate a front side of the power pack.

In accordance with another aspect of this disclosure, which may be used alone or in combination with any other member (e.g. a battery pack that includes one or more battery cells) that is positioned rearward of a dirt collection region and at least partially underlies at least a portion of one or both of a cyclone chamber and a pre-motor filter. Providing at least some vertical overlap between an energy storage member and a cyclone chamber and/or a pre-motor filter may help to reduce the overall size (length front to back) of the hand vacuum and may therefore reduce the torque exerted on the hand of a user as the moment arm between the front of the hand vacuum cleaner and the handle may be reduced. Also, as the energy storage member (e.g. one or more batteries) may typically be among the heavier individual components of the hand vacuum cleaner, such a configuration may help provide a compact overall design without adversely affecting the hand feel and/or perceived balance of the hand vacuum.

In accordance with this broad aspect, there is provided a hand vacuum cleaner having a front end, a rear end, an upper end, a lower end, and first and second laterally spaced apart sides, and comprising:

- (a) an air flow path extending from a dirty air inlet to a clean air outlet;
- (b) a cyclone assembly positioned in the air flow path and having a cyclone assembly air inlet, a cyclone assembly air outlet, a cyclone chamber, a dirt collection region, and a cyclone axis of rotation;
- (c) a pre-motor filter downstream of the cyclone chamber;
- (d) a suction motor positioned in the air flow path upstream of the clean air outlet; and,
- (e) a battery pack wherein at least a portion of the battery pack is positioned rearward of the dirt collection region and at least a portion of the battery pack underlies at least a portion of one or both of the cyclone chamber and the pre-motor filter.

In some embodiments, the cyclone axis of rotation may extend generally in a forward/rearward direction.

In some embodiments, at least a portion of, or substantially all of or the entire battery pack may underlie at least a portion of the cyclone chamber, substantially all of the cyclone chamber or the entire cyclone chamber.

In some embodiments, at least a portion of, or substantially all of or the entire battery pack may underlie at least a portion of the pre-motor filter, substantially all of the pre-motor filter or the entire pre-motor filter.

In some embodiments, the battery pack may comprise at least a plurality of energy storage members wherein the energy storage members may be arranged in at least two columns in the forward/rearward direction.

In some embodiments, the dirt collection region may be at a lower end of the hand vacuum cleaner and the battery pack may be slidably insertable into the lower end of the hand vacuum cleaner.

In some embodiments, the hand vacuum may further comprise a handle and a finger gap positioned between the handle and the battery pack.

Also in accordance with this broad aspect, there is provided a hand vacuum cleaner having a front end, a rear end, an upper end, a lower end, and first and second laterally spaced apart sides, and comprising:

- (a) an air flow path extending from a dirty air inlet to a clean air outlet;
- (b) a cyclone assembly positioned in the air flow path and having a cyclone assembly air inlet, a cyclone assembly air outlet, a cyclone chamber, a dirt collection region, and a cyclone axis of rotation;
- (c) a pre-motor filter downstream of the cyclone chamber;
- (d) a suction motor positioned in the air flow path upstream of the clean air outlet; and,
- (e) a plurality of energy storage members provided in a lower portion of the hand vacuum cleaner, wherein some of the energy storage members are arranged one above another and some are arranged one behind another and wherein at least some of the energy storage members underlie at least a portion of one or both of the cyclone chamber and the pre-motor filter.

In some embodiments, at least a portion of the energy storage members may be positioned rearward of the dirt collection region.

In some embodiments, the cyclone axis of rotation may extend generally in a forward/rearward direction.

In some embodiments, the at least a portion of, or substantially all of or all of the energy storage members may underlie at least a portion of the cyclone chamber, substantially all of the cyclone chamber or the entire cyclone chamber.

In some embodiments, the at least a portion of, or substantially all of or all of the energy storage members may underlie at least a portion of the pre-motor filter, substantially all of the pre-motor filter or the entire pre-motor filter.

In some embodiments, the dirt collection region is at a lower end of the hand vacuum cleaner and the energy storage members are slidably insertable into the lower end of the hand vacuum cleaner.

In some embodiments, at least a portion of the energy storage members may be positioned rearward of the dirt collection region.

In some embodiments, the hand vacuum may further comprise a handle and a finger gap positioned between the handle and the energy storage members.

In accordance with another aspect of this disclosure, which may be used alone or in combination with any other

aspect, a hand vacuum cleaner may have a cyclone chamber with a cyclone axis of rotation that extends in a forward/rearward direction, and a suction motor with a suction motor axis that also extends in a forward/rearward direction, where the suction motor is located at an upper end of a handle of the vacuum cleaner and the suction motor axis is vertically displaced from the cyclone axis of rotation. Such a configuration may have one or more advantages. For example, it may facilitate the reduction of conduit bends and/or air flow direction changes between a dirty air inlet and a clean air outlet, thereby reducing backpressure and/or air flow losses through this portion of the hand vacuum cleaner due to a reduction in the number of bends in the air flow path. Additionally, or alternatively, such a configuration may help provide a compact overall design of the hand vacuum cleaner without adversely affecting the hand feel and/or perceived balance of the hand vacuum.

In accordance with this broad aspect, there is provided a hand vacuum cleaner having a front end, a rear end, an upper end, a lower end, and first and second laterally spaced apart sides, and comprising:

- (a) an air flow path extending from a dirty air inlet to a clean air outlet;
- (b) a handle having a hand grip portion that extends upwardly and forwardly when the upper end of the hand vacuum cleaner is positioned above the lower end of the hand vacuum cleaner, the handle being positioned at the rear end of the hand vacuum cleaner;
- (c) a cyclone chamber positioned in the air flow path and having a cyclone air inlet, a cyclone air outlet, and a cyclone axis of rotation that extends in a forward/rearward direction;
- (d) a pre-motor filter positioned downstream of the cyclone chamber and upstream of the suction motor; and,
- (e) a suction motor positioned in the air flow path upstream of the clean air outlet, wherein the suction motor has a suction motor axis of rotation that extends in a forward/rearward direction, wherein the suction motor is located at an upper end of the handle, and wherein the suction motor axis of rotation is vertically displaced from the cyclone axis of rotation when the upper end of the hand vacuum cleaner is positioned above the lower end of the hand vacuum cleaner.

In some embodiments, the suction motor may be located at an upper end of the hand grip portion.

In some embodiments, the cyclone axis of rotation may intersect the hand grip portion.

In some embodiments, the suction motor may be located rearward of the cyclone chamber.

In some embodiments, the suction motor may have an inlet that faces towards the pre-motor filter.

In some embodiments, the suction motor axis of rotation may intersect a volume defined by a pre-motor filter housing.

In some embodiments, the suction motor axis of rotation may extend through a central portion of a volume containing the pre-motor filter.

In some embodiments, the pre-motor filter may be positioned above the cyclone axis of rotation when the upper end of the hand vacuum cleaner is positioned above the lower end of the hand vacuum cleaner.

In some embodiments, the pre-motor filter may be positioned above the cyclone chamber when the upper end of the hand vacuum cleaner is positioned above the lower end of the hand vacuum cleaner.

11

In some embodiments, the cyclone axis of rotation may intersect the hand grip portion, the pre-motor filter may be positioned above the cyclone axis of rotation when the upper end of the hand vacuum cleaner is positioned above the lower end of the hand vacuum cleaner, and the suction motor axis of rotation may extend through a pre-motor filter housing.

In some embodiments, the pre-motor filter may comprise a generally cylindrical filter having a hollow interior wherein the suction motor axis of rotation intersects the hollow interior.

In some embodiments, after exiting a downstream side of the pre-motor filter, air travels generally linearly to the suction motor.

In some embodiments, the pre-motor filter may comprise a generally cylindrical filter having a hollow interior wherein the dirty air inlet has a dirty air inlet axis that extends generally rearwardly and intersects the hollow interior.

In some embodiments, the dirty air inlet axis may intersect the suction motor.

In some embodiments, the cyclone axis of rotation may intersect the hand grip portion.

In some embodiments, the hand vacuum may further comprise a plurality of energy storage members wherein at least some of the plurality of energy storage members are arranged one above another in a generally upwardly extending configuration when the upper end of the hand vacuum cleaner is positioned above the lower end of the hand vacuum cleaner, and the suction motor may be positioned rearward of at least some of the energy storage members when the upper end of the hand vacuum cleaner is positioned above the lower end of the hand vacuum cleaner.

In accordance with another aspect of this disclosure, which may be used alone or in combination with any other aspect, a surface cleaning apparatus may have a removable pre-motor filter assembly having an outlet conduit wherein a terminal end of the outlet conduit extends at a first angle to a direction of air flow through the outlet conduit. An advantage of this design is that the terminal end of the outlet conduit may be positioned substantially flush against another air conduit having a similarly angled terminal end without requiring lateral movement of the outlet conduit towards other conduit. Accordingly, a filter assembly may be removed and inserted by moving the filter assembly substantially perpendicular to the direction of airflow exiting the filter assembly. Such an arrangement may, for example, facilitate the use of a gasket or other sealing member between the ends of the conduits to provide an improved seal between the conduits. Such an arrangement may also eliminate the need for a biasing or other retaining mechanism to exert a force on the filter assembly to maintain a seal between the conduits.

In accordance with this broad aspect, there is provided a surface cleaning apparatus comprising:

- (a) an air flow path extending from a dirty air inlet to a clean air outlet;
- (b) an air treatment member positioned in the air flow path; and
- (c) a removable pre-motor filter assembly positioned downstream of the air treatment member and upstream of a suction motor, the pre-motor filter assembly comprising a pre-motor filter and a filter support member, the filter support member having an outlet conduit wherein a terminal end of the outlet conduit extends at a first angle to a direction of air flow through the outlet conduit.

12

In some embodiments, the pre-motor filter may comprise a generally cylindrical filter having a hollow interior positioned about a body portion of the filter support member having an internal filter conduit, wherein the outlet conduit is in air flow communication with the hollow interior via the internal filter conduit.

In some embodiments, the outlet conduit may be aligned with the hollow interior.

In some embodiments, the body portion of the filter support member may include a porous portion located in the hollow interior and positioned between a downstream surface of the pre-motor filter and the internal filter conduit.

In some embodiments, the hollow interior may comprise a longitudinally extending passage having an outlet end from which the outlet conduit extends away and an opposed end wherein the opposed end is sealed.

In some embodiments, the opposed end may be sealed by a sealing member that extends into the hollow interior, the sealing member having a solid wall extending inwardly and located between a downstream surface of the pre-motor filter and the passage.

In some embodiments, the filter support member may have a body portion having an internal filter conduit that may extend into a hollow interior of the pre-motor filter, the body portion may have a solid wall extending inwardly and located between a downstream surface of the pre-motor filter and the internal filter conduit.

In some embodiments, the body portion of the filter support member may include a porous portion located in the hollow interior and positioned between a downstream surface of the pre-motor filter and the internal filter conduit and is upstream of the outlet conduit.

In some embodiments, the internal filter conduit may comprise a longitudinally extending passage having an outlet end from which the outlet conduit extends away and a second end, wherein the second end is sealed.

In some embodiments, the second end may be sealed by a sealing member that extends into the hollow interior, the sealing member having a solid wall extending inwardly and located between a downstream surface of the pre-motor filter and the internal filter conduit.

In some embodiments, the sealing member and the body portion define a continuous member extending through the hollow interior.

In some embodiments, the surface cleaning apparatus may further comprise a treated air conduit extending from the outlet conduit towards the suction motor, wherein an inlet end of the treated air conduit may also extend at about the first angle to a direction of air flow through the outlet conduit.

In some embodiments, the surface cleaning apparatus may further comprise a treated air conduit extending from the outlet conduit towards the suction motor, wherein an inlet end of the treated air conduit may also extend at a second angle to a direction of air flow through the outlet conduit and the terminal end of the outlet conduit may abut the inlet end of the treated air conduit when the filter assembly is positioned in the air flow path.

In some embodiments, the first and second angles may be about the same.

In some embodiments, the surface cleaning apparatus may further comprise a gasket provided at an interface of the terminal end of the outlet conduit and the inlet end of the treated air conduit.

In some embodiments, the filter assembly may be removable in a filter assembly removal direction that is at an angle to the direction of air flow through the outlet conduit.

13

In some embodiments, the filter assembly may be removable through an openable door and a side of the terminal end that is closest to the openable door may extend further in the direction of air flow through the outlet conduit than an opposed side of the terminal end that is further from the openable door.

In some embodiments, a side of the inlet end of the treated air conduit that is furthest from the openable door may extend further in the direction of air flow through the outlet conduit than an opposed side of the inlet end that is closest to the openable door.

It will be appreciated by a person skilled in the art that an apparatus or method disclosed herein may embody any one or more of the features contained herein and that the features may be used in any particular combination or sub-combination.

These and other aspects and features of various embodiments will be described in greater detail below.

BRIEF DESCRIPTION OF THE DRAWINGS

For a better understanding of the described embodiments and to show more clearly how they may be carried into effect, reference will now be made, by way of example, to the accompanying drawings in which:

FIG. 1 is a top perspective view of a hand vacuum cleaner in accordance with one embodiment;

FIG. 2 is a bottom perspective view of the hand vacuum cleaner of FIG. 1;

FIG. 3 is a side perspective view of the hand vacuum cleaner of FIG. 1;

FIG. 4 is a rear perspective view of the hand vacuum cleaner of FIG. 1;

FIG. 5 is a front end view of the hand vacuum cleaner of FIG. 1;

FIG. 6 is a perspective view of the hand vacuum cleaner of FIG. 1, with a front door or lid in an open position;

FIG. 7 is a front end view of the hand vacuum cleaner of FIG. 1, with a front door or lid in an open position;

FIG. 8 is a perspective sectional view of the hand vacuum cleaner of FIG. 1, taken along line 8-8 in FIG. 1;

FIG. 9 is a perspective sectional view of the hand vacuum cleaner of FIG. 1, taken along line 9-9 in FIG. 5;

FIG. 10 is a cross-section view of the hand vacuum cleaner of FIG. 1, taken along line 9-9 in FIG. 5;

FIG. 11 is an enlarged view of the upper left portion of FIG. 10;

FIG. 12 is an enlarged view of the upper left portion of FIG. 10, with a pre-motor filter assembly removed;

FIG. 13 is an enlarged view of the upper left portion of FIG. 10, with a pre-motor filter assembly and an openable door removed;

FIG. 14 is a top perspective view of the upper front portion of the hand vacuum cleaner of FIG. 1, with an openable door removed to expose a pre-motor filter assembly;

FIG. 15 is a top perspective view of the upper front portion of the hand vacuum cleaner of FIG. 1, with a pre-motor filter assembly and an openable door removed;

FIG. 16 is a top plan view of the upper front portion of the hand vacuum cleaner of FIG. 1, with a pre-motor filter assembly and an openable door removed;

FIG. 17 is a top perspective view of the upper portion of the hand vacuum cleaner of FIG. 1, with a pre-motor filter assembly and an openable door removed;

14

FIG. 18 is a bottom perspective view of an openable door of a pre-motor filter chamber of the hand vacuum cleaner of FIG. 1;

FIG. 19 is a perspective view of a removable pre-motor filter assembly of the hand vacuum cleaner of FIG. 1;

FIG. 20 is an end perspective view from the outlet end of the removable pre-motor filter assembly of the hand vacuum cleaner of FIG. 19;

FIG. 21 is a perspective section view of the removable pre-motor filter assembly of the hand vacuum cleaner of FIG. 19, taken along line 21-21 in FIG. 19;

FIG. 22 is a cross section view of the removable pre-motor filter assembly of the hand vacuum cleaner of FIG. 19, taken along line 21-21 in FIG. 19;

FIG. 23 is a bottom perspective view of the lower rear portion of the hand vacuum cleaner of FIG. 1;

FIG. 24 is a bottom perspective view of the lower rear portion of the hand vacuum cleaner of FIG. 1, with a post-motor filter and a post-motor filter support removed;

FIG. 25 is a rear perspective view of a post-motor filter support of the hand vacuum cleaner of FIG. 1;

FIG. 26 is a front perspective view of the post-motor filter support of FIG. 25;

FIG. 27 is a front perspective view of the post-motor filter support of FIG. 26 and a post-motor filter;

FIG. 28 is a side view of the hand vacuum cleaner of FIG. 1, with an energy storage member partially removed;

FIG. 29 is a bottom perspective view of the hand vacuum cleaner of FIG. 1, with an energy storage member partially removed;

FIG. 30 is a side view of the hand vacuum cleaner of FIG. 1, with an energy storage member removed;

FIG. 31 is a cross-section view of the hand vacuum cleaner of FIG. 1, taken along line 9-9 in FIG. 5, with an energy storage member removed;

FIG. 32 is a perspective view of an energy storage member of the hand vacuum cleaner of FIG. 1;

FIG. 33 is a front perspective view of the energy storage member of FIG. 32;

FIG. 34 is a cross-section view of the energy storage member of FIG. 32, taken along line 34-34 in FIG. 32;

FIG. 35 is a perspective view of a hand vacuum cleaner in accordance with another embodiment;

FIG. 36 is a cross-section view of the hand vacuum cleaner of FIG. 35, taken along line 36-36 in FIG. 35;

FIG. 37 is a cross-section view of the hand vacuum cleaner of FIG. 35, taken along line 36-36 in FIG. 35, with an energy storage member partially removed;

FIG. 38 is a perspective section view of the hand vacuum cleaner of FIG. 35, taken along line 36-36 in FIG. 35, with a post-motor filter removed;

FIG. 39 is a perspective view of a hand vacuum cleaner in accordance with another embodiment;

FIG. 40 is a cross-section view of the hand vacuum cleaner of FIG. 39, taken along line 40-40 in FIG. 39;

FIG. 41 is a perspective section view of the hand vacuum cleaner of FIG. 39, taken along line 40-40 in FIG. 39, with a post-motor filter removed;

FIG. 42 is a perspective view of a hand vacuum cleaner in accordance with another embodiment;

FIG. 43 is a cross-section view of the hand vacuum cleaner of FIG. 42, taken along line 43-43 in FIG. 42;

FIG. 44 is a perspective section view of the hand vacuum cleaner of FIG. 42, taken along line 43-43 in FIG. 42;

FIG. 45 is a perspective section view of the hand vacuum cleaner of FIG. 42, taken along line 43-43 in FIG. 42, with an energy storage member removed;

15

FIG. 46 is a perspective view of a hand vacuum cleaner in accordance with another embodiment;

FIG. 47 is a cross-section view of the hand vacuum cleaner of FIG. 46, taken along line 47-47 in FIG. 46;

FIG. 48 is a perspective section view of the hand vacuum cleaner of FIG. 46, taken along line 47-47 in FIG. 46;

FIG. 49 is a perspective section view of the hand vacuum cleaner of FIG. 46, taken along line 47-47 in FIG. 46, with an energy storage member removed; and

FIG. 50 is a perspective view of the hand vacuum cleaner of FIG. 46, with a front door or lid in an open position;

The drawings included herewith are for illustrating various examples of articles, methods, and apparatuses of the teaching of the present specification and are not intended to limit the scope of what is taught in any way.

DESCRIPTION OF EXAMPLE EMBODIMENTS

Various apparatuses, methods and compositions are described below to provide an example of an embodiment of each claimed invention. No embodiment described below limits any claimed invention and any claimed invention may cover apparatuses and methods that differ from those described below. The claimed inventions are not limited to apparatuses, methods and compositions having all of the features of any one apparatus, method or composition described below or to features common to multiple or all of the apparatuses, methods or compositions described below. It is possible that an apparatus, method or composition described below is not an embodiment of any claimed invention. Any invention disclosed in an apparatus, method or composition described below that is not claimed in this document may be the subject matter of another protective instrument, for example, a continuing patent application, and the applicant(s), inventor(s) and/or owner(s) do not intend to abandon, disclaim, or dedicate to the public any such invention by its disclosure in this document.

The terms “an embodiment,” “embodiment,” “embodiments,” “the embodiment,” “the embodiments,” “one or more embodiments,” “some embodiments,” and “one embodiment” mean “one or more (but not all) embodiments of the present invention(s),” unless expressly specified otherwise.

The terms “including,” “comprising” and variations thereof mean “including but not limited to,” unless expressly specified otherwise. A listing of items does not imply that any or all of the items are mutually exclusive, unless expressly specified otherwise. The terms “a,” “an” and “the” mean “one or more,” unless expressly specified otherwise.

As used herein and in the claims, two or more parts are said to be “coupled,” “connected,” “attached,” or “fastened” where the parts are joined or operate together either directly or indirectly (i.e., through one or more intermediate parts), so long as a link occurs. As used herein and in the claims, two or more parts are said to be “directly coupled,” “directly connected,” “directly attached,” or “directly fastened” where the parts are connected in physical contact with each other. None of the terms “coupled,” “connected,” “attached,” and “fastened” distinguish the manner in which two or more parts are joined together.

Furthermore, it will be appreciated that for simplicity and clarity of illustration, where considered appropriate, reference numerals may be repeated among the figures to indicate corresponding or analogous elements. In addition, numerous specific details are set forth in order to provide a thorough understanding of the example embodiments described herein. However, it will be understood by those of ordinary

16

skill in the art that the example embodiments described herein may be practiced without these specific details. In other instances, well-known methods, procedures, and components have not been described in detail so as not to obscure the example embodiments described herein. Also, the description is not to be considered as limiting the scope of the example embodiments described herein.

General Description of a Hand Vacuum Cleaner

Referring to FIGS. 1 to 34, an exemplary embodiment of a surface cleaning apparatus is shown generally as 1000. The following is a general discussion of this embodiment which provides a basis for understanding several of the features which are discussed herein. As discussed subsequently, each of the features may be used individually or in any particular combination or sub-combination in this or in other embodiments disclosed herein.

In the illustrated embodiment, the surface cleaning apparatus is a hand vacuum cleaner, which may also be referred to also as a “handvac” or “hand-held vacuum cleaner”. As used herein, a hand vacuum cleaner is a vacuum cleaner that can be operated to clean a surface generally one-handedly. That is, the entire weight of the vacuum may be held by the same one hand used to direct a dirty air inlet of the vacuum cleaner with respect to a surface to be cleaned. For example, the handle and a clean air inlet may be rigidly coupled to each other (directly or indirectly) so as to move as one while maintaining a constant orientation relative to each other. This is to be contrasted with canister and upright vacuum cleaners, whose weight is typically supported by a surface (e.g. a floor) during use.

As exemplified in FIGS. 1 to 7, surface cleaning apparatus 1000 includes a main body 1010 having a housing 1011 and a handle 1020, an air treatment member 1100 connected to the main body 1010, a dirty air inlet 1030, a clean air outlet 1040, and an air flow path extending between the dirty air inlet and the clean air outlet.

Surface cleaning apparatus 1000 has a front end 1002, a rear end 1004, an upper end or top 1006, and a lower end or bottom 1008. In the embodiment shown, dirty air inlet 1030 is at an upper portion of the front end 1102 and clean air outlet 1040 is at rearward portion of the lower end 1008. It will be appreciated that the dirty air inlet 1030 and the clean air outlet 1040 may be provided in different locations.

A suction motor 1200 (see e.g. FIG. 10) is provided to generate vacuum suction through the air flow path, and is positioned within a motor housing 1210. In the illustrated embodiment, the suction motor is positioned downstream from the air treatment member, although it may be positioned upstream of the air treatment member (e.g., a dirty air motor) in alternative embodiments.

Air treatment member 1100 is configured to remove particles of dirt and other debris from the air flow and/or otherwise treat the air flow. In the illustrated example, air treatment member 1100 includes a cyclone assembly having a single cyclonic cleaning stage with a single cyclone chamber 1110 and a dirt collection region 1122 external to the cyclone chamber. The cyclone chamber 1110 and dirt collection region 1122 may be of any configuration suitable for separating dirt from an air stream and collecting the separated dirt, respectively.

The cyclone chamber 1110 may be oriented in any direction. For example, when surface cleaning apparatus 1000 is oriented with the upper end 1106 above the lower end 1108, e.g. positioned generally parallel to a horizontal surface, a central axis or axis of rotation 1115 of the cyclone chamber 1110 may be oriented horizontally, as exemplified in FIG.

10. In alternative embodiments, the cyclone chamber may be oriented vertically, or at any angle between horizontal and vertical.

In alternative embodiments, the cyclone assembly may include two or more cyclonic cleaning stages arranged in series with each other. Each cyclonic cleaning stage may include one or more cyclone chambers (arranged in parallel or series with each other) and one or more dirt collection chambers, of any suitable configuration. The dirt collection chamber or chambers may be external to the cyclone chambers, or may be internal the cyclone chamber and configured as a dirt collection area or region within the cyclone chamber. For example, in the embodiments exemplified in FIGS. 42 to 45 and 46 to 50, a second cyclonic cleaning stage is provided in series in what may be characterized as a 'nested' configuration. As exemplified in FIG. 43, after traveling generally axially through the cyclone chamber 1110 from the front end wall 1160 toward the rear end wall 1170, air exits cyclone chamber 1110 and enters a secondary cyclone chamber. A secondary dirt collection chamber 1121 is positioned exterior to the secondary cyclone chamber and is in communication with a dirt outlet 1141 to receive dirt and debris dis-entrained from a dirty air flow by the secondary cyclone chamber. In the embodiment exemplified in FIGS. 42 to 45, air exiting the secondary cyclone chamber travels generally rearwardly and enters a pre-motor chamber 1318 via air inlet 1234. In the embodiment exemplified in FIGS. 46 to 50, the secondary cyclone air outlet faces a rear wall 1236 of the upflow duct or conduit 1230 that directs air upwardly towards a pre-motor filter 1320. Alternatively, the air treatment member need not include a cyclonic cleaning stage, and can incorporate a bag, a porous physical filter media (such as foam or felt), or other air treating means.

As exemplified in FIG. 10, hand vacuum cleaner 1000 may include a pre-motor filter housing 1310 provided in the air flow path downstream of the air treatment member 1100 and upstream of the suction motor 1200. Pre-motor filter housing 1310 may be of any suitable construction, including any of those exemplified herein. A pre-motor filter 1320 is positioned within the pre-motor filter housing 1310. Pre-motor filter 1320 may be formed from any suitable physical, porous filter media and having any suitable shape, including the examples disclosed herein with respect to a removable pre-motor filter assembly. For example, the pre-motor filter may be one or more of a foam filter, felt filter, HEPA filter, other physical filter media, electrostatic filter, and the like.

Optionally, the pre-motor filter housing 1310 may be openable (as described herein), and at least a portion of the sidewall 1316 (e.g. removable or otherwise openable door 1330) and/or one of the end walls 1312 or 1314 may be removable, openable, or otherwise re-configurable to provide access to the interior of the pre-motor filter housing 1310.

Positioning the pre-motor filter housing 1310 toward the top 1006 of the main body 1010 may help facilitate access to the pre-motor filter 1320 while the hand vacuum is resting on its base. For example, if the hand vacuum cleaner 1000 is rested upon a table or other such surface, an openable door 1330 of the pre-motor filter housing 1310 is provided at the upper end of the housing and is accessible to a user. A user could then open the pre-motor filter housing 1310 by removing or otherwise opening door 1330 while the hand vacuum 1000 rests on the table, to inspect or replace the pre-motor filter 1320, without having to use one hand to grasp the handle 1020 or otherwise support the hand vacuum.

As exemplified, hand vacuum cleaner 1000 may also include a post-motor filter 1420 provided in the air flow path

downstream of the suction motor 1200 and upstream of the clean air outlet 1040. Post-motor filter 1420 may be formed from any suitable physical, porous filter media and having any suitable shape, including the examples disclosed herein.

In alternative embodiments, the post-motor filter may be any suitable type of filter such as one or more of a foam filter, felt filter, HEPA filter, other physical filter media, electrostatic filter, and the like.

In the illustrated embodiment, the dirty air inlet 1030 of the hand vacuum cleaner 1000 is the inlet end 1032 of an inlet conduit 1036. Optionally, inlet end 1032 of the conduit 1036 can be used as a nozzle to directly clean a surface. The air inlet conduit 1036 is, in this example, a generally linear hollow member that extends along an inlet conduit axis 1035 that is oriented in a longitudinal forward/backward direction and is generally horizontal when hand vacuum cleaner 1000 is oriented with the upper end 1006 above the lower end 1008. Alternatively, or in addition to functioning as a nozzle, inlet conduit 1036 may be connected or directly connected to the downstream end of any suitable accessory tool such as a rigid air flow conduit (e.g., an above floor cleaning wand), a crevice tool, a mini brush, and the like. As shown, dirty air inlet 1030 is positioned forward of the air treatment member 1100, although this need not be the case. As exemplified, the dirty air inlet 1030 is positioned above the cyclone chamber. Optionally, the dirty air inlet 1030 may be provided at an alternate location, such as in the front end wall 1160.

As exemplified in FIGS. 1, 2, 5, 6, and 7, an optional accessory power coupler 1050 may be provided adjacent to the inlet conduit 1036. Accessory power coupler 1050 includes a set of electrical connectors 1056 that can inter-engage with compatible electrical connectors on an accessory tool in order to provide an electrical connection between e.g. a power source of the hand vacuum and a motor or other electrical device of an accessory tool (e.g. a powered brush roller, a light source, and the like). While the illustrated accessory power coupler 1050 is a male connector (i.e. projecting outwardly from the main body 1010 of the hand vacuum cleaner 1000), in alternative embodiments it may be a female connector (i.e. recessed inwardly) or any other shape suitable for cooperatively engaging with corresponding connectors on an accessory tool or other attachment. As exemplified, the accessory power coupler 1050 may be positioned laterally to one side of the inlet conduit 1036. In other examples, the accessory power coupler 1050 may be located above or below the inlet conduit 1036.

As exemplified, power may be supplied to the suction motor and other electrical components of the hand vacuum cleaner from an onboard energy storage member which may include, for example, one or more batteries or other energy storage device. In the illustrated embodiment, the hand vacuum cleaner 1000 includes a removable battery pack 1500 provided between the handle 1020 and the air treatment member 1100. Battery pack 1500 is described in further detail herein. In alternative embodiments, a battery pack may not be provided and power may be supplied to the hand vacuum cleaner by an electrical cord connected to the hand vacuum cleaner (not shown) that can be connected to a standard wall electrical outlet.

Optionally, a forward surface of the handle 1020 and a rearward surface of the battery pack 1500 may cooperatively define a finger gap 1028 therebetween (see e.g. FIG. 10). An advantage of this design is that the absence of an intervening portion of main housing 1010 between the handle and the energy storage member may facilitate a more compact overall size of hand vacuum 1000.

As exemplified, a power switch **1060** may be provided to selectively control the operation of the suction motor (e.g. either on/off or variable power levels or both), for example by establishing a power connection between the batteries and the suction motor. The power switch may be provided in any suitable configuration and location, including a button, rotary switch, sliding switch, trigger-type actuator and the like. As illustrated in FIG. 4, power switch **1060** is in the form of a button located toward upper end of the rear end **1004** of the hand vacuum cleaner, above a hand grip portion **1026** of the handle **1020**. In this position, a user may be able to access the button **1060** while holding the hand vacuum via the hand grip, e.g. with the thumb of the hand holding the handle, and/or with a digit of their other hand.

The power switch or an alternate controller may also be configured to control other aspects of the hand vacuum (brush motor on/off, etc.). Optionally, instead of being provided at an upper end of the handle, the power switch may be provided on the main body (such as on the motor housing or other suitable location).

As exemplified in FIG. 4, an optional information display device **1070** may be provided to display one or more visual indications to a user. For example, the display device **1070** may provide a visual indication of: when suction motor is on; the current power level of the suction motor (if applicable); the current battery charge level; an estimated time until the battery charge will be depleted, and/or similar information. The display device **1070** may include one or more light sources (e.g. light emitting diodes (LEDs)), display screens (e.g. a liquid crystal, an LED screen, an organic light emitting diode (OLED) screen, and the like. The screen, and associated electronics, may be used to display status information of one or more electrical components of the hand vacuum cleaner.

In the illustrated embodiment, the information display device is in the form of a display screen **1070** that is provided at the upper end **1022** of the handle **1020**. A first display portion **1072** is configured to display an indication of whether the hand vacuum cleaner is in a floor cleaning mode or in a carpet cleaning mode (e.g. where power is being supplied to a brush roller of an accessory tool via electrical connectors **1056**), and a second portion **1074** is configured to display an indication of a power mode of the suction motor (e.g. a regular power mode, a higher power mode, and/or a higher power 'burst' mode).

Air Flow Path Through a Hand Vacuum Cleaner

The following is a description of different features of an air flow path through a hand vacuum cleaner. These features may be used by themselves in any surface cleaning apparatus or in any combination or sub-combination with any other feature or features described herein. For example, any of the airflow configurations described herein may be used with any of the pre-motor filter assemblies, relative positioning of the suction motor and energy storage members, inclined battery packs, battery pack configurations, airflow cooling configurations, and other features described herein.

As exemplified, the air treatment member **1100** of the hand vacuum cleaner **1000** may optionally be a single cyclonic cleaning stage with unidirectional air flow or a 'uniflow' cyclone chamber **1110** (i.e. where the cyclone air inlet and cyclone air outlet are at opposite ends of the cyclone chamber). Referring primarily to FIGS. 9 and 10, hand vacuum cleaner **1000** includes a single cyclonic cleaning stage with a cyclone chamber **1110** that has a cyclone air inlet **1120** in fluid communication with the inlet conduit **1036**, a cyclone air outlet **1130**, and a dirt outlet **1140** that is in communication with a dirt collection chamber **1122**.

Optionally, the cyclone chamber **1110** may be generally horizontally oriented so that the cyclone air inlet **1120** is located toward the front end **1002** of the hand vacuum cleaner **1000**, and the cyclone air outlet **1130** is spaced rearwardly behind the cyclone air inlet **1120**, at a rear end **1114** of the cyclone chamber **1110**. From the cyclone air outlet **1130**, an upflow duct or conduit **1230** directs the airflow upwards to a pre-motor filter chamber **1310** that is vertically spaced from the cyclone chamber **1110**. After passing through the pre-motor filter **1320**, air may travel generally rearwardly from the pre-motor filter **1320** to an inlet end **1202** of the suction motor **1200**. An advantage of this arrangement is that, by promoting air to travel in this manner, the need for air flow direction changes between an air outlet of the pre-motor filter and the suction motor may be reduced or eliminated, thereby reducing backpressure and/or air flow losses through this portion of the hand vacuum cleaner. An additional, or alternative, advantage of providing a pre-motor filter chamber **1310** that is vertically spaced from the cyclone chamber **1110** is that the need for air flow direction changes between a cyclone air outlet and the suction motor may be reduced, thereby reducing backpressure and/or air flow losses through this portion of the hand vacuum cleaner. For example, any airflow in a forward direction may take place within the pre-motor filter chamber or header **1310**, as opposed to taking place in a (typically narrower) conduit that directs airflow in a direction opposite to the airflow through the dirty air inlet. An additional, or alternative, advantage of providing a pre-motor filter chamber **1310** that is vertically spaced from the cyclone chamber **1110**, and optionally above the cyclone chamber **1110**, is that the length (front to back) of the hand vacuum cleaner may be reduced, providing a more compact configuration.

FIGS. 1 to 34 exemplify one embodiment of a hand vacuum cleaner **1000** having a cyclone unit that includes a uniflow cyclone chamber **1110** and a dirt collection chamber **1122** that is positioned exterior to the cyclone chamber **1110** and is in communication with the dirt outlet **1140** to receive dirt and debris dis-entrained from a dirty air flow by the cyclone chamber **1110**. In the illustrated example, the cyclone air inlet **1120** and dirt outlet **1140** are positioned toward opposing ends of the cyclone chamber **1110**, and the cyclone air outlet **1130** is provided toward the same end as the dirt outlet **1140** (the rear end as illustrated). In this configuration, dirty air can enter at the front end of the cyclone chamber, while cleaner air and the separated dirt particles both exit the cyclone chamber at the opposing rear end.

In this embodiment, the cyclone chamber **1110** has a front end wall **1160** and an opposing rear end wall **1170** that is spaced apart from the front end wall along the cyclone axis **1115** about which air circulates within the cyclone chamber **1110** during operation of the hand vacuum cleaner. A cyclone chamber sidewall **1180** extends between the front and rear end walls **1160**, **1170**. In the illustrated example, when the hand vacuum is oriented with the upper end above the lower end, the cyclone axis **1115** is generally horizontal, and is closer to horizontal than vertical, e.g., $\pm 20^\circ$, $\pm 15^\circ$, $\pm 10^\circ$, or $\pm 5^\circ$ from the horizontal. As exemplified, the cyclone axis **1115** is substantially parallel to, e.g. within $\pm 20^\circ$, $\pm 15^\circ$, $\pm 10^\circ$, or $\pm 5^\circ$, and vertically offset below the conduit axis **1035** of the air inlet conduit **1036**, and the cyclone chamber **1110** and dirt collection chamber **1122** are both below the inlet conduit axis **1035**. As illustrated in FIG. 10, when the hand vacuum **1000** is horizontal (as illustrated), the pre-motor filter **1320** is vertically spaced from (e.g. above) the cyclone axis **1115**, and the suction motor

21

1200 is positioned rearward of the pre-motor filter 1320, so that air travels generally rearwardly from the pre-motor filter to the suction motor.

In this embodiment, the cyclone air inlet 1120 is a tangential air inlet that, as exemplified, terminates at an aperture or port that is formed in cyclone sidewall 1180, optionally an upper portion 1182 of the cyclone sidewall 1180, adjacent the front end wall 1160. Optionally, the cyclone air inlet 1120 may be provided at an alternate location, such as in the front end wall 1160.

The cyclone air inlet 1120 is fluidly connected with the outlet end of the conduit 1036 via a corresponding air outlet aperture or port 1038 that may be provided in a lower portion of the air inlet conduit 1036. The cyclone air inlet 1120 may have any suitable arrangement and/or configuration, and in the illustrated example is configured as a tangential air inlet that is directly connected to the air outlet aperture 1038. Connecting the air inlet 1120 to the air outlet aperture 1038 in this manner may help reduce the need for additional conduits to fluidly connect the dirty air inlet 1030 to the cyclone chamber 1110, and may reduce or eliminate the need for additional bends or air flow direction changes between the dirty air inlet 1030 and the cyclone chamber 1110. Reducing the conduit length and number of bends may help reduce the backpressure and air flow losses within the air flow path.

Positioning the cyclone air inlet 1120 toward the front of the cyclone chamber 1110 may help facilitate a desired air flow configuration within the cyclone chamber 1110. For example, in this configuration the cyclone chamber 1110 itself functions as part of the air flow path that conveys air rearwardly from the front 1002 of the hand vacuum 1000, without the need for a separate fluid conduit.

In the illustrated example, cyclone air inlet 1120 is directly adjacent the front wall 1160. Alternatively, cyclone air inlet 1120 may be axially spaced from the front end wall 1160, and may be located at another location along the length of the cyclone chamber 1110. Preferably, cyclone air inlet 1120 is provided in the front half of the cyclone chamber 1110 (i.e. forward of the axial mid-point of the cyclone chamber sidewall 1080) in order to help reduce the distance between the dirty air inlet 1030 and the cyclone air inlet 1120.

As shown in FIG. 10, the cyclone air outlet 1130 is provided in the rear end wall 1170 of the cyclone chamber 1110, and an axially extending vortex finder conduit 1136 extends from the rear end wall 1170 and is aligned with the cyclone air outlet 1130. Optionally, a mesh screen (not shown) may be positioned over some or all of the inlet apertures 1138 of the vortex finder conduit 1136 to help inhibit lint, hair, and other such debris from entering the vortex finder conduit 1136. Positioning the air outlet 1130 toward the rear end (and optionally in the rear end wall 1170) may help facilitate the desired air flow through the cyclone chamber 1110, such that air, while swirling, travels generally axially through the cyclone chamber 1110 from the front end wall 1160 toward the rear end wall 1170.

Positioning the air outlet 1130 in the rear end wall 1170 of the cyclone chamber 1110 may also help facilitate the air flow connection between the cyclone chamber 1110 and other downstream components in the hand vacuum, such as the pre-motor filter housing 1310 and suction motor housing 1210 described herein. In the illustrated embodiment the air outlet 1130 is provided in the rear end wall 1170 and is connected to the pre-motor filter housing 1310 through an upflow duct or conduit 1230. This may help simplify the air flow path and construction of the hand vacuum. Alterna-

22

tively, the air flow path may include one or more additional conduits connected downstream from the cyclone air outlet.

In this arrangement, air travelling through the hand vacuum 1000 will travel generally rearwardly along the air inlet conduit 1036 (i.e. parallel to the conduit axis 1035 and then enter a tangential air inlet which essentially changes the direction of the air to travel generally downwardly through the cyclone air inlet 1120 (i.e. generally orthogonal to the cyclone axis 1115). The air can then circulate within the cyclone chamber 1110, and travel generally rearwardly toward the cyclone air outlet 1130, and ultimately exit the cyclone chamber 1110 via the cyclone air outlet 1130 while travelling through the vortex finder conduit 1136 in a rearward direction (i.e. generally parallel to the cyclone axis 1115). In this configuration, the air flow changes direction only once (and by only approximately 90° which may be accomplished by a tangential air inlet), between entering the dirty air inlet 1030 and exiting the cyclone air outlet 1130.

The cyclone dirt outlet 1140 may be of any suitable configuration, and in the illustrated embodiment is a slot 1140 that is provided in the cyclone chamber side wall 1180, toward the rear end wall 1170. The slot 1140 may extend around at least a portion of the perimeter of the cyclone side wall 1180, and may have any suitable length 1186 in the axial direction (see e.g. FIG. 10). As exemplified, the slot may be provided only in a lower portion of the sidewall. Accordingly, when dirty air inlet 1030 faces downwardly during use, dirt will exit into an upper end of an external dirt collection chamber. Positioning the dirt collection chamber below the cyclone chamber, and not surrounding the cyclone chamber, reduces the width of the hand vacuum. While shown directly adjacent the rear end wall 1170, such that the slot 1140 is partially bounded by the cyclone side wall 1180 and the rear end wall 1170, the slot 1140 may be located at another location along the length of the cyclone side wall 1180, and need not be directly adjacent the rear end wall 1170. Alternatively, the dirt outlet 1140 may be provided toward the mid-point of the cyclone chamber sidewall 1180, or may be provided toward the front end wall 1160. While illustrated with a single dirt outlet 1140, the cyclone chamber 1110 may include two or more dirt outlets that are in communication with the same dirt collection chamber, or optionally with different dirt collection chambers.

Preferably, at least a portion of the air treatment member may be openable for emptying. For example, at least one end, and optionally both ends of the dirt collection chamber 1122 may be openable for emptying. Optionally, at least one end, and optionally both ends of the cyclone chamber 1110 may also be openable for emptying.

Referring primarily to FIGS. 9 and 10, the front end wall 1160 of the cyclone chamber 1110 and the front end wall 1126 of the dirt collection chamber 1122 are both provided by portions of an openable front door 1190 that covers the front end of the cyclone assembly. In this arrangement, opening the front door 1190 will concurrently open the front end walls 1160 and 1126 of the cyclone and dirt collection chambers 1110, 1122. In the illustrated example, a user may hold the hand vacuum 1000 via the handle 1020 with one hand and open the front door 1190 with the other hand. The front end wall 1160 of the cyclone chamber 1110 and the front end wall 1126 of the dirt collection chamber 1122 may be concurrently openable and may cover all of a substantial portion of the front end of the cyclone chamber and the dirt collection chamber. For example, the front end wall 1160 of the cyclone chamber 1110 and the front end wall 1126 of the dirt collection chamber 1122 may be a one piece assembly (i.e. they may be integrally formed).

23

The front door **1190** may be openably connected (e.g., pivotally openable or removably mounted) to the rest of the cyclone assembly using any suitable mechanism, including a hinge or other suitable device. Optionally, the front door **1190** may be secured in the closed position using any suitable type of locking mechanism, including a latch mechanism that may be released by a user. In the embodiment of FIGS. **1** to **34**, the front door **1190** may be opened by pivoting it about a hinge assembly **1192** from a closed position (e.g. as shown in FIG. **1**) to an open position (e.g. as shown in FIG. **6**). The front door **1190** may be secured in the closed position by a friction fit when connected as illustrated in FIG. **1**, and/or by an assembly door lock **1194** or other suitable locking mechanism. Preferably, the assembly door lock may include at least one release actuator **1196** so that a user may unlock the assembly door lock, e.g. by depressing the actuator. The actuator for opening/releasing the openable portion of the cyclone assembly may be provided on the cyclone assembly **1100** or on any other portion of the hand vacuum **1000** (such as the handle **1020**).

In the embodiments described herein, the surface cleaning apparatus includes a pre-motor filter housing **1310** positioned in the air flow path between the cyclone chamber and the suction motor. It will be appreciated that in some embodiments, the pre-motor filter may be of any configuration and the direction of air flow through the pre-motor filter **1320** may be any particular direction.

Referring primarily to FIGS. **9** and **10**, as exemplified, in some embodiments, the main body **1010** may be configured such that the suction motor housing **1210** is located rearward of the pre-motor filter housing **1310** and, preferably, axially aligned with the pre-motor filter housing **1310** such that air exiting the pre-motor filter may travel generally linearly to the suction motor. It will be appreciated that suction motor housing **1210** and pre-motor filter housing **1310** may be of any configuration

As exemplified herein, the pre-motor filter **1320** may be configured as a generally cylindrical foam filter with a hollow, open interior and is preferably part of a removable pre-motor filter assembly, as discussed elsewhere herein. The pre-motor filter **1320**, which may be a foam filter, extends longitudinally along a filter axis **1325**, which may be generally parallel with the suction motor axis of rotation and accordingly is exemplified as being generally horizontal in the illustrated embodiment. The interior, downstream surface of filter **1320** is in communication with the air outlet **1242** via an outlet conduit **1340** of the pre-motor filter assembly. An advantage of a cylindrical filter is that a relatively large upstream surface area may be provided in a small space. A further advantage of this configuration is that, if the suction motor housing **1210** is located rearward of, and generally axially aligned with, the pre-motor filter housing **1310**, air exiting the pre-motor filter may travel rearwardly through the hollow interior and then travel rearwardly to the suction motor.

In the illustrated example, the pre-motor filter housing **1310** is positioned such that the pre-motor filter **1320** is vertically spaced from and mostly, and optionally entirely, located above the cyclone axis **1115** and also above the cyclone chamber. Put another way, pre-motor filter **1320** mostly, and optionally entirely, overlies the cyclone chamber. In other embodiments, only a portion of the pre-motor filter may be above the cyclone axis **1115** and optionally also above the cyclone chamber.

Referring to FIG. **10**, in the illustrated example the pre-motor filter housing **1310** has forward and rear end walls **1312** and **1314**, and a chamber sidewall **1316** defining a

24

pre-motor filter chamber or plenum **1318**. Optionally, the pre-motor filter is removable, such as providing a removable or otherwise openable door **1330**. Door **1330** may extend between forward and rear end walls **1312** and **1314**. The housing **1310** also has an air inlet **1234** that is connected downstream from the cyclone air outlet **1130** via upflow duct **1230**, and an air outlet **1242** positioned in the rear end wall **1314**. In the illustrated example, the housing air inlet **1234** is located toward the rear end of the housing **1310**. To travel from the air inlet **1234** to the air outlet **1242**, air passes through the pre-motor filter **1320** positioned within the chamber **1318**.

As the pre-motor filter **1320** is positioned above the cyclone air outlet, air travels upwardly to the pre-motor filter chamber **1318**. As exemplified herein, the pre-motor filter may be in the shape of a hollow cylinder which has a central axis that is generally parallel with the suction motor axis of rotation. An advantage of this configuration is that, after the air travels upwardly to the pre-motor filter chamber **1318**, in order to try to balance the forces in the pre-motor filter chamber **1318**, the air will tend to spread across the chamber. Therefore, without using a 90° bend to direct the air to the front part of the pre-motor filter, a plenum is used to distribute the air across the upstream surface of the pre-motor filter. In accordance with this configuration, air travels to the filter housing **1310** in a generally upward direction, where it disperses in the pre-motor filter chamber **1318** and circulates around and through the outer, upstream surface of filter **1320**, and exits the housing air outlet **1242** in a generally rearward direction into the suction motor housing inlet end **1212**.

In the illustrated example, the suction motor **1200** is generally horizontally oriented, such that the suction motor axis of rotation **1205** is generally horizontal (e.g., $\pm 20^\circ$, $\pm 15^\circ$, $\pm 10^\circ$, or $\pm 5^\circ$ from horizontal) when the hand vacuum cleaner is positioned with the upper end above the lower end (as illustrated in FIG. **10**). In this arrangement, the suction motor axis **1205** is generally parallel to the cyclone axis **1115** and the pre-motor filter axis **1325**.

In the example configuration illustrated in FIG. **10**, an inlet end **1202** of the suction motor **1200** faces towards a hollow interior of the pre-motor filter. In such a configuration, air may travel generally linearly from the pre-motor filter **1320** to the suction motor **1200**. An absence of air flow direction changes between an air outlet of the pre-motor filter and the suction motor may reduce backpressure and/or air flow losses through this portion of the hand vacuum cleaner.

Also, positioning the suction motor at an upper end of a handle of the vacuum cleaner with the suction motor axis vertically displaced from the cyclone axis of rotation may facilitate the reduction of air flow conduit bends and/or air flow direction changes between a dirty air inlet and a clean air outlet, thereby reducing backpressure and/or air flow losses through the hand vacuum cleaner. Additionally, or alternatively, such a configuration may help provide a compact overall design of the hand vacuum cleaner without adversely affecting the hand feel and/or perceived balance of the hand vacuum.

It will be appreciated that the air may exit the hand vacuum cleaner via a grill located in an upper portion of the main body (e.g., via an air outlet provided in the rear end of the main body or a sidewall adjacent the rear end). Alternately, air may exit through a lower portion of the main body. This may be achieved by conveying the air downwardly through the handle of the hand vacuum cleaner. Accordingly, as exemplified, at least a portion of the air flow

path between the dirty air inlet **1030** and the clean air outlet **1040** may flow through the handle **1020**. This may help facilitate a variety of different air flow path configurations and clean air outlet **1040** locations. This may also allow at least some of the air being exhausted by the suction motor **1200** to flow over, and optionally help cool, operating components that are located in the handle. Examples of such components may include controllers, circuit boards, other internal electronics and the like. One example of such electronics can include a printed circuit board (PCB) provided to control optional information display device **1070** and/or power switch **1060**.

In the illustrated embodiment, a handle air flow passage **1250** has an inlet end **1252** that is located toward the top **1022** of the handle downstream from the suction motor **1200**, and an outlet end **1254** that is located toward the bottom **1024** of the handle. This may help channel the air through substantially the entire length of the hand grip portion **1026** of the handle **1020**.

As exemplified, the air exhausted from the suction motor **1200** is routed through the handle, and the clean air outlet **1040** is provided in the form of a plurality of slots **1430** that are formed in the lower end **1024** of the handle. Air entering the inlet end **1252** is directed through the handle **1020** and exits via the slots **1430**. In this example, the slots or grill **1430** are oriented such that air exiting the clean air outlet **1040** travels generally downwardly and rearwardly from the lower end **1024** of the handle **1020**. It will be appreciated that the clean air outlet may be of any design and may be located anywhere in the lower portion of the hand vacuum cleaner.

Optionally, one or more post-motor filters may be placed in the air flow path between the suction motor **1200** and the clean air outlet **1040**. The post-motor filter may be provided at the clean air outlet **1040**. The post motor filter may be in an openable housing. For example, as exemplified, the clean air outlet **1040** may be an openable grill. Further, the openable access panel may support the post-motor filter. For example, in the embodiment of FIGS. **1** to **34**, a post-motor filter **1420** is supported by a removable tray **1410** that covers the lower end of the post-motor filter housing **1400** and provides the clean air outlet **1040** in the form of a grill. The illustrated post-motor filter **1420** is a physical foam media filter, but optionally the post-motor filters may be any suitable type of filter and may include one or more of foam filters, felt filters, HEPA filters, other physical filter media, electrostatic filters, and the like.

With references to FIGS. **23-27**, removable tray **1410** includes a pair of rigid engaging projections **1440** provided on a front end **1412**, and a pair of movable engaging projections **1450** extending upwardly from a rear end **1414** and resiliently biased towards the rear end. To separate the tray from the main body **1010**, actuating (e.g. depressing) button **1460** results in forward movement of the movable engaging projections **1450**, resulting in their disengagement from corresponding recesses **1455** in the main body, allowing the rearward end **1414** of tray **1410** to be pivoted downwardly from handle **1020**. Once tray **1410** has been so pivoted, it may be translated rearwardly to remove engaging projections **1440** from corresponding recesses **1445** in the main body. To connect the tray **1410** to the main body **1010**, the process may be generally reversed. That is, projections **1440** may be inserted into recesses **1445**, and tray **1410** subsequently pivoted upwardly until engaging projections **1450** are secured in recesses **1455**. It will be appreciated that any other constructions may be used to removably secure tray **1410** in position on the main body.

While the figures exemplify positioning the pre-motor filter and suction motor vertically spaced above the cyclone axis, it will be appreciated that the pre-motor filter and suction motor vertically spaced below the cyclone axis.

Removable Pre-Motor Filter Assembly

The following is a description of different features of a removable pre-motor filter assembly for a surface cleaning apparatus. These features may be used by themselves in any surface cleaning apparatus or in any combination or sub-combination with any other feature or features described herein. For example, any of the pre-motor filter configurations described herein may be used with any of the air flow paths, relative positioning of the suction motor and energy storage members, inclined battery packs, battery pack configurations, airflow cooling configurations, and other features described herein.

In accordance with this feature, the outlet conduit of the filter assembly may be inclined at an angle to the removal direction of the pre-motor filter assembly with the upper (or outermost portion of the outlet conduit in the removal direction) extending further in the downstream direction than the lower (or innermost portion of the outlet conduit in the removal direction). The mating downstream conduit may be similarly oriented. An advantage of this configuration is that the downstream face of the pre-motor filter assembly (which may have a sealing gasket) may be placed on the upstream face of the downstream conduit (which may have a sealing gasket) instead of one face sliding across the other, which could damage one or both gaskets.

In accordance with this feature, as exemplified, the pre-motor filter **1320** of the hand vacuum cleaner **1000** is optionally part of a removable pre-motor filter assembly **1300**. FIGS. **19** to **22** exemplify one embodiment of a removable pre-motor filter assembly **1300** that includes a generally cylindrical filter **1320** supported by a filter support member **1340**. Filter support member **1340** has an outlet conduit **1342** for directing an air flow after it has passed through the filter **1320**. In use, air flows from an outer or upstream side **1322** of the filter **1320**, through the filter media and to an inner or downstream side **1324** of the filter **1320**, and to the outlet conduit **1342**.

Optionally, the outlet conduit **1342** generally faces an inlet end **1202** of suction motor **1200**. Therefore, as exemplified, the filter support member **1340** may be generally horizontally oriented so that the pre-motor filter axis **1325** extends in a generally forwards/rearwards direction (from front end **1321** to rear end **1323** of the pre-motor filter assembly) when the hand vacuum cleaner **1000** is oriented with the upper end above the lower end, and the outlet conduit **1342** faces generally rearwardly, and optionally directly faces an inlet end **1202** of suction motor **1200**. From the outlet conduit **1342**, a treated air conduit **1246** directs the airflow rearwards to an inlet end **1202** of suction motor **1200** that is horizontally spaced from the pre-motor filter **1320**.

As illustrated in FIGS. **19** to **22**, filter support member **1340** has a main body portion **1350** that is located in a hollow interior of the generally cylindrical filter **1320**. In the illustrated embodiment, an outer surface of main body portion **1350** is flush with a downstream or inner surface **1324** of filter **1320**, and the downstream surface **1324** is in air flow communication with an internal filter conduit **1356**. More specifically, in the illustrated example a plurality of apertures **1351** define a porous portion of the filter support member **1340** between a first end **1352** and a second end **1354** of the main body portion **1350**. It will be appreciated that more or fewer apertures may be provided in alternative embodiments. Accordingly, if filter **1320** is sealed to or seats

securely on body portion **1350**, air will be inhibited from travelling between the outer surface of main body portion **1350** and the inner surface **1324** of filter **1320** to thereby bypass the filter media.

The outlet conduit **1342** extends from the second end **1354** of the main body portion **1350**. The second or opposed end **1352** of the main body portion **1350** may be sealed to or may seat securely on the second end **1354** of the main body portion **1350** to inhibit and preferably prevent air from exiting the internal filter conduit **1356** from the second end, so that substantially and preferably all of the air that exits the downstream side **1324** of the pre-motor filter **1320** is directed through outlet conduit **1342**.

In order to inhibit or prevent air exiting through the front end of the internal filter conduit **1356**, the front end of the main body portion **1350** may be closed. As exemplified, an end wall **1362** is provided to cap the opposed end **1352** of the main body portion **1350**. Optionally, end wall **1362** has an outwardly projecting portion **1363** to facilitate positioning the pre-motor filter assembly **1300** in a surface cleaning apparatus, as discussed further below.

Optionally, flanges or other sealing members may be provided at one or both ends of the main body portion **1350** to inhibit or prevent airflow from flowing between pre-motor filter **1320** and filter support member **1340** and to the internal filter conduit **1356**, e.g. effectively bypassing the pre-motor filter. In the illustrated example, a circumferential bypass flange **1358** is provided at the second end **1354** of the main body portion **1350**.

The pre-motor filter assembly may be seated in position in the pre-motor filter housing by any means known in the art. As exemplified, one or more alignment or seating members may be provided on one or both of the front and rear ends **1321**, **1323** of the pre-motor filter assembly.

In the illustrated example, a pair of alignment flanges **1370** extend from an axially longer (outermost) side of outlet conduit **1342**. Flanges **1370** may facilitate in the seating and/or alignment of pre-motor filter assembly **1300** within a pre-motor filter chamber. For example, in the illustrated example the flanges **1370** may be configured to act as camming surfaces with one or more projections from an internal surface of the openable door **1330** of the pre-motor filter chamber. As shown in FIG. **18**, openable door **1330** has an inwardly extending projection **1338** that has a width approximately equal to a radial distance between flanges **1370**. In this arrangement, as openable door **1330** is closed, projection **1338** is configured to come into contact with both flanges **1370**, thereby promoting a predetermined orientation of pre-motor filter assembly **1300** relative to the pre-motor filter housing **1310** as well as locating the outlet conduit to be aligned with the downstream air flow conduit.

Additionally, or alternatively, flanges **1370** may allow a user to grip and/or manipulate pre-motor filter assembly **1300** without having to come into contact with pre-motor filter **1320**, which may become dirty during use.

Optionally, one or more support projections may be provided on one or both ends of pre-motor filter assembly **1300**. In the illustrated example, a pair of support flanges **1372** extend from opposite lateral sides of outlet conduit **1342**. Flanges **1372** may facilitate the support and/or alignment of pre-motor filter assembly **1300** within a pre-motor filter chamber. For example, in the illustrated example the flanges **1372** may be configured to rest on corresponding support surfaces provided at the rearward end of the pre-motor filter chamber. As shown in FIGS. **15-17**, surfaces **1313** are formed in end wall **1344** of the pre-motor filter chamber **1310**. Also, a surface **1311** is formed in the oppos-

ing end wall **1312**. In this arrangement, as pre-motor filter assembly **1300** is lowered into the pre-motor filter chamber **1310**, surfaces **1313** are configured to come into contact with and support flanges **1372**, and surface **1311** is configured to come into contact with and support outwardly projecting portion **1363** of filter support member **1340**, thereby promoting a predetermined vertical position and/or angle of pre-motor filter assembly **1300** relative to the pre-motor filter housing **1310**.

In the illustrated embodiment, filter support member **1340** (including outlet conduit **1342**, main body portion **1350**, and end wall **1362**) is a one piece assembly (e.g. integrally formed). In alternative embodiments, filter support member **1340** may be constructed from two or more parts.

While in the illustrated example the pre-motor filter **1320** and the filter support member **1340** are co-axial, this may not be the case in alternative embodiments.

As illustrated in FIG. **22**, a downstream or terminal end **1344** of the outlet conduit **1342** is at an angle **1357** to a direction of air flow through the outlet conduit (e.g. generally parallel to a central pre-motor filter axis **1325** and/or a central filter support member axis **1355**). Outlet conduit **1342** mates with air conduit **1246**, which provides the air outlet **1242** from pre-motor filter chamber **1310**. As discussed subsequently, the inlet end of outlet conduit **1342** may be similarly angled.

An advantage of the terminal end of the outlet conduit being at an angle of to a direction through the outlet conduit is that the removable filter assembly may be positioned substantially flush against a downstream air conduit (e.g. a conduit that leads to a suction motor) having a similarly angled terminal end without requiring lateral movement of the outlet conduit towards other conduit. For example, the filter assembly may be moved in a direction substantially perpendicular to the direction of airflow (e.g., vertically upwardly in the orientation of FIG. **11**). Such an arrangement may, for example, facilitate the use of a gasket or other sealing member between the ends of the conduits to provide an improved seal between the conduits. For example, if the terminal end of the outlet conduit were perpendicular to a direction of airflow through the conduit, moving the filter assembly in a direction substantially perpendicular to the direction of airflow may shear or otherwise damage a flexible or otherwise deformable gasket (e.g. an elastomeric gasket or the like) provided at the end of the conduit to which the outlet conduit is to be aligned.

Alternatively, or additionally, such an arrangement may eliminate the need for a biasing or other retaining mechanism to exert a force on the filter assembly to maintain a seal between the conduits. For example, if the terminal end of the outlet conduit were perpendicular to a direction of airflow through the conduit, to avoid damaging a gasket or other sealing member between the conduit ends, at least the final motion to align the conduit ends may be in a direction parallel to a direction of airflow through the conduit. In such a situation, it may be necessary to maintain the application of an axial force to the pre-motor filter assembly in order to maintain an adequate seal.

As illustrated in FIGS. **11 to 17**, a terminal end **1241** of the treated air conduit **1246** may also be optionally provided at an angle **1257** (see FIG. **11**) to a direction of air flow through the treated air conduit **1246** that leads to the suction motor **1200**. In the illustrated example, the angle **1257** is about the same as the angle **1357** between the direction of air flow through the outlet conduit **1342** of the pre-motor filter assembly and the terminal end **1344** of the outlet conduit **1342**. This arrangement allows the outlet conduit **1342** and

the treated air conduit **1246** to cooperatively define a generally linear air flow passage despite the angled terminal ends of the respective conduits.

Optionally, a gasket **1247** or other sealing member may be provided to help provide a substantially air tight seal between the terminal end **1344** of the outlet conduit **1342** and the terminal end **1241** of the treated air conduit **1246**. In the illustrated example, the gasket **1247** has a generally consistent axial length about its perimeter, e.g. to facilitate a seal between the ends **1344**, **1241** that are generally parallel to each other due to angles **1357**, **1257** being about the same. Alternatively, gasket **1247** may have a variable axial length about its perimeter, e.g. to facilitate a seal where angles **1357**, **1257** are different from each other (e.g. where ends **1344**, **1241** are not parallel).

Another advantage of the terminal end of the outlet conduit and the inlet end of conduit **1246** being at an angle to a direction through the outlet conduit is that the outlet face of the pre-motor filter assembly may be placed onto the inlet or upstream face of conduit **1246** during insertion of the pre-motor filter assembly. Further, when door **1330** is placed in the closed position, the engagement of inwardly extending projection **1338** and flanges **1370** may apply sufficient pressure to seal the end face and inhibit leakage out of the air flow conduits.

Another advantage of the terminal end of the outlet conduit being at an angle of to a direction through the outlet conduit is that the removable filter assembly may only be positionable within the surface cleaning apparatus in a single pre-determined orientation. In other words, a user may only be able to mount to the pre-motor filter assembly in a single orientation relative to the surface cleaning apparatus. This may prevent, for example, the pre-motor filter from being installed e.g. upside-down from its designed orientation, or otherwise mis-aligned. Accordingly, an asymmetric pre-motor filter media may be provided without the risk of a user improperly positioning the filter within a surface cleaning apparatus.

It will be appreciated that some of the embodiments disclosed herein may not use any of the features of the pre-motor filter assembly disclosed herein and that, in those embodiments, a pre-motor filter of any kind known in the art may be used, or a pre-motor filter may not be provided.

Inclined Battery Pack

The following is a description of different features of a hand vacuum cleaner with an inclined battery pack. These features may be used by themselves in any surface cleaning apparatus or in any combination or sub-combination with any other feature or features described herein. For example, any of the battery pack configurations described herein may be used with any of the air flow paths, pre-motor filter assemblies, relative positioning of the suction motor and energy storage members, battery pack configurations, air-flow cooling configurations, and other features described herein.

In accordance with this feature, an upper end of the battery pack may be inclined in a forward direction. Accordingly, the lower end of the battery pack may extend further rearwardly. If the dirt collection region is located adjacent a forward face of the battery pack, then the dirt collection region may extend further rearwardly, thereby enabling a larger dirt collection region to be provided.

It will be appreciated that, in many embodiments, power may be supplied to the hand vacuum cleaner **1000** by an electrical cord connected to the hand vacuum (not shown) that can be connected to a standard wall electrical outlet. In such embodiments, the suction motor **1200** and other elec-

tronics may run on AC power supplied from a wall socket. In accordance with this feature, alternatively, or in addition to being powered by an electrical cord, the hand vacuum cleaner may include one or more onboard power sources. The power sources may be any suitable device, including, for example one or more batteries. Optionally, the batteries and battery packs may be rechargeable or may be replaceable, non-rechargeable batteries.

Battery pack **1500** may include any suitable number of cells **1510**, and may include, for example, lithium ion battery cells. Any number of cells may be used to create a power source having a desired voltage and current, and any type of battery may be used, including NiMH, alkaline, and the like. Battery pack **1500** may be of any known design and may be electrically connected to the hand vacuum cleaner by any means known in the art.

FIGS. **32** to **34** exemplify a battery pack **1500**. As exemplified, battery pack **1500** has an upper end **1506**, a lower end **1508**, a front face **1502**, and a rear face **1504**. In the illustrated example, battery pack **1500** is generally rectangular, but alternative embodiments may have any suitable shape.

In the illustrated examples, battery pack **1500** has a power coupling **1540** for supplying power (e.g. charging) the cells **1510**. Any suitable power coupling may be used, for example, a female coupling configured to receive a male coupling of an electrical cord that is connectable to a source of AC or DC power, such as a household power socket. Optionally, power coupling **1540** is accessible when the battery pack **1500** is electrically connected to hand vacuum cleaner **1000**. An advantage of such a configuration is that the battery pack may be charged without removing it from the hand vacuum cleaner **1000**. Another advantage is that it may allow for corded operation of hand vacuum cleaner **1000** when the power cells **1510** are substantially or completely discharged, as power may be supplied to the suction motor via power coupling **1540** instead of (or while) charging the cells **1510**.

Optionally, the battery pack **1500** may be removable from the rest of the hand vacuum using any mechanism known in the art. Referring to FIGS. **28** and **29**, the illustrated example battery pack **1500** is configured to be removable by sliding the battery pack downward through an aperture **1590** (see FIG. **31**) provided in the lower end **1008** of hand vacuum **1000**. Optionally, one or more guiding features may be provided on one or both of the hand vacuum **1000** and the battery pack **1500**. As illustrated in FIG. **33**, a pair of longitudinal ridges **1520** is provided on the front face **1502** of battery pack **1500**. Ridges **1520** are configured to be slidably received in corresponding grooves **1525** on an inner face of aperture **1590** (see FIG. **29**). Ridges **1520** and grooves **1525** thus cooperatively assist in aligning the battery pack as is it moved upwardly into and/or downwardly out of aperture **1590**.

In the illustrated embodiment, the upper end **1506** of the battery pack **1500** is provided with a plurality of electrical connectors **1530** that can inter-engage with compatible electrical connectors **1580** on the main body **1010** (see e.g. FIG. **29**). Engagement between the electrical connectors **1530** and **1580** can provide an electrical connection between the batteries **1510** and the suction motor **1200**, and optionally other electronics, such as display device **1070**. In this arrangement, removing the battery pack **1500** interrupts the supply of power to the suction motor **1200**, and the suction motor **1200** is not operable when the battery pack **1500** is detached. It will be appreciated that electrical connectors **1530** may be located elsewhere on the battery pack.

The battery pack **1500** can be secured to the rest of the main body **1010** using any suitable attachment mechanism, including mechanical latches, retention catches, or any other mechanism attachment structure capable of being released to disengage and remove the battery pack. Optionally, one or more actuators for releasing the attachment mechanism may be provided on the main body **1010** (and remain with the main body when the battery pack is removed), or alternatively may be provided on the battery pack **1500** such that the actuator is removable with the battery.

Referring to FIGS. **9** and **33**, in the illustrated example battery pack **1500** is configured to be releasably secured to hand vacuum **1000** using a single latch at the lower end **1506**. The latch can be released by pressing the release actuator that is provided in the form of button **1550**. Pressing rearwardly on the button **1550** results in a disengagement of a tab **1552** from a corresponding retaining surface **1523** provided proximate to and facing towards aperture **1590**. The button **1550** is mounted to the lower end **1506** of battery pack **1500**, and is removable with the battery pack.

Alternatively, a release actuator may be provided on the main body **1010** of the hand vacuum cleaner, and a corresponding retaining surface may be provided on the battery pack **1500**. For example, in the example illustrated in FIG. **36**, a retaining surface **1523** is provided on a rear face **1504** of battery pack **1500**, and is removable with the battery pack. A release actuator that is provided in the form of button **1550** is positioned on the main body **1010** of hand vacuum **1000**. Pressing forwardly on the button **1550** results in a pivoting and disengagement of a tab **1552** from retaining surface **1523**.

Optionally, the battery pack **1500** may be configured so that it can be connected to one or more other devices/apparatuses, in addition to the hand vacuum **1000**. For example, the same battery pack **1500** that is used with the hand vacuum could be connectable to another vacuum, power tool, cleaning device (such as a mop, steam cleaner, carpet extractor, etc.) or any other suitable device to power the other device(s) that the battery pack can be connected to.

Optionally, the battery pack **1500** may have one or more output devices to e.g. provide an indication of a status of the battery pack and/or of one or more of the individual battery cells **1510**. For example, one or more visual indicators such as LEDs and/or an audio output device such as a speaker may be provided. In the example illustrated in FIG. **32**, a number of LEDs **1560** are provided along an edge between a rear face **1504** and a side face of the battery pack **1500**. An advantage of positioning the output devices along an edge of the battery pack is that the indicators may be visible from a greater range of relative orientations than if they were positioned on a single face of the battery pack.

As illustrated in FIG. **4**, another advantage of positioning the LEDs **1560a-1560c** proximate a side edge of a rear face **1504** is that they may be more readily visible to a user holding the hand vacuum cleaner **1000** in front of them. Accordingly, a user may be able to see the LEDs **1560a-1560c** while using the hand vacuum without having to re-orient the hand vacuum cleaner from a typical in-use position.

As discussed above, battery pack **1500** may include any suitable number of individual battery cells **1510**. In example illustrated in FIG. **34**, battery pack **1500** contains 7 cells **1510a-1510g**. Each cell **1510** is generally cylindrical, and the cells are arranged in a generally linear configuration (in a column) along the height of battery pack **1500**. More specifically, cells **1510a** to **1510f** are arranged with their central longitudinal axes positioned along a battery pack

axis **1505** that in the illustrated example is parallel to a front wall **1501** of the battery pack **1500**, and cell **1510g** is positioned with its central longitudinal axis offset rearwardly from axis **1505**.

As shown in FIG. **10**, in the illustrated example battery pack **1500** extends upwardly and forwardly when the upper end of the hand vacuum cleaner is positioned above the lower end of the hand vacuum cleaner. For example, battery pack axis **1505** is at an angle **1507** to the horizontal when the inlet conduit axis **1035**, cyclone axis **1115**, filter axis **1325**, and/or suction motor axis **1205** is generally horizontally oriented. For example, battery pack axis **1505** may be generally parallel to a handle axis **1025** (see FIG. **31**).

Also, in the configuration shown in FIG. **10**, a portion **1123** of the dirt collection chamber **1122** adjacent the rear end wall **1124** of the chamber **1122** is located below a portion of the battery pack **1500**. An advantage of this design (i.e. providing at least some vertical overlap between an energy storage member and a dirt collection region) is that it may help provide a relatively larger dirt chamber capacity while helping to reduce the overall size of the hand vacuum **1000**.

In the illustrated example, the rear end wall **1124** of the dirt collection chamber **1122** is at an angle to the vertical. As shown, rear end wall **1124** is generally parallel to the front wall **1501** of the battery pack **1500** and to the battery pack axis **1505**, although in alternative embodiments they may not be parallel.

Also, when the inlet conduit axis **1035**, cyclone axis **1115**, filter axis **1325**, and/or suction motor axis **1205** is generally horizontally oriented, a lower end of the front face **1502** is positioned rearward of an upper portion of the front face **1502**.

It will be appreciated that the dirt collection region may be of various shapes which occupies some or all of the additional volume created by orienting the battery pack **1500** such that the lower end extends further rearwardly.

It will be appreciated that some of the embodiments disclosed herein may not use the inclined energy storage members as disclosed herein and that, in those embodiments, any suitable positioning of the energy storage members, if provided, may be used.

Positioning of Suction Motor and Energy Storage Member

The following is a description of different features of a hand vacuum cleaner with a suction motor positioned an upper end of a forwardly-inclined handle and rearward of at least some of the energy storage members. These features may be used by themselves in any surface cleaning apparatus or in any combination or sub-combination with any other feature or features described herein. For example, any of the relative positioning of the suction motor and energy storage members described herein may be used with any of the air flow paths, pre-motor filter assemblies, inclined battery packs, battery pack configurations, airflow cooling configurations, and other features described herein.

In accordance with this feature, the batteries and the suction motor may be positioned so as to reduce the torque experienced by a user operating the hand vacuum cleaner. For example, by positioning a suction motor positioned at or rearward of an upper end of a forwardly-inclined handle and rearward of at least some of the energy storage members, the weight of the suction motor may partially counterbalance the weight of the batteries.

As previously discussed, in some embodiments, batteries used to power the hand vacuum cleaner **1000** may be provided at a single location, for example as one large

battery pack **1500** that may include any suitable number of cells **1510**, and may include, for example, lithium ion battery cells.

Optionally, a battery pack **1500** may be positioned such that some or all of the battery cells **1510** are positioned forward of a suction motor. In this configuration, the distribution of the weight of the battery pack **1500** and the weight of the suction motor **1200** may affect the hand feel and/or perceived balance of the hand vacuum **1000**.

In the example illustrated in FIG. **10**, suction motor **1200** is positioned rearward of cells **1510a**, **1510b**, **1510c**, **1510d**, and **1510e** of battery pack **1500**. In the example illustrated in FIG. **43**, suction motor **1200** is positioned rearward of cells **1510a**, **1510b**, **1510d**, **1510e**, and **1510g** of battery pack **1500**. In the examples illustrated in FIGS. **36**, **40**, and **47**, all of cells **1510a-1510f** are positioned forward of the suction motor **1200**.

Suction motor **1200** is preferably positioned at the upper end of a forwardly inclined handle **1020**, as shown in the illustrated embodiments, although it may alternatively be positioned rearward of the upper end of the handle or at the lower end or at a mid-point of a handle. Additionally, or alternatively, the handle **1020** may be generally vertical or may be rearwardly inclined.

Optionally, a battery pack **1500** may be positioned such that a volume defined by the battery cells **1510** is positioned such that an axis of rotation **1115** of a cyclone chamber **1110** may intersect such a volume when the battery pack is secured to the main body **1010**. For example, the cyclone chamber **1110** may be oriented horizontally, and the battery pack **1500** may be positioned rearward of the cyclone chamber. An advantage of such a configuration is that it may facilitate a more compact design of hand vacuum **1000**.

It will be appreciated that some of the embodiments disclosed herein may not use the relative positioning of the suction motor, handle, and energy storage members as disclosed herein and that, in those embodiments, any suitable design may be used.

Nested Energy Storage Members

The following is a description of different features of a hand vacuum cleaner having an energy storage member (e.g. a battery pack that includes one or more battery cells) that is positioned rearward of a dirt collection region and at least partially underlies at least a portion of one or both of a cyclone chamber and a pre-motor filter. These features may be used by themselves in any surface cleaning apparatus or in any combination or sub-combination with any other feature or features described herein. For example, any of the battery pack configurations described herein may be used with any of the air flow paths, pre-motor filter assemblies, relative positioning of the suction motor and energy storage members, inclined battery packs, airflow cooling configurations, and other features described herein.

In accordance with this feature, the some or all of a battery pack may be located beneath some or all of a cyclone chamber and/or a pre-motor filter. For example, the dirt collection region may be configured to enable the battery pack to nest or partially nest therein. Accordingly, the overall length of the hand vacuum cleaner (in the forward/rearward direction) may be reduced, thereby providing a more compact hand vacuum cleaner.

As previously discussed, in some embodiments, batteries used to power the hand vacuum cleaner **1000** may be provided at a single location, for example as one large battery pack **1500** that may include any suitable number of cells **1510**, and may include, for example, lithium ion battery cells.

Optionally, a battery pack **1500** may be positioned such that at least a portion of the battery pack **1500** is nested vertically spaced from a dirt collection region **1122**. For example, at least a portion of the battery pack **1500** may underlie at least a portion of one or both of a cyclone chamber **1110** and a pre-motor filter **1320**. In such a configuration, the overall size or length of the hand vacuum **1000** may be reduced.

For example, as illustrated in the embodiment of FIGS. **36** and **40**, as well as the embodiment of FIG. **43**, a battery pack **1500** is positioned rearward of a dirt collection region **1122**, and the entire battery pack **1500** is below a rearward portion of a pre-motor filter **1320**.

In the example illustrated in FIG. **47**, a battery pack **1500** is positioned rearward of a dirt collection region **1122**, and below a rearward portion of the cyclone chamber and below the pre-motor filter.

As discussed previously, battery pack **1500** may include any suitable number of individual battery cells, and the individual cells may be arranged in any suitable configuration. For example, some of the energy storage members (i.e. individual battery cells **1510**) may be arranged one above another and some may be arranged one behind another, e.g. within a single battery pack **1500**. For example, the energy storage members within a battery pack may be arranged in at least two columns in the forward/rearward direction. Accordingly, the battery pack may have a reduced height so as to assist in nesting the battery pack under a pre-motor filter and/or a cyclone chamber. An advantage of such configurations is that they may help provide a compact overall design without adversely affecting the hand feel and/or perceived balance of the hand vacuum.

As illustrated in FIG. **47**, cells **1510a-1510g** are arranged generally in two linear columns of cells. Specifically, cells **1510a**, **1510c**, **1510e**, and **1510g** are arranged in a first generally vertical column along a column axis **1505a** that in the illustrated example is adjacent and generally parallel to a front wall **1501** of the battery pack **1500**, and cells **1510b**, **1510d**, and **1510f** are arranged in a second generally vertical column along a column axis **1505b** that in the illustrated example is adjacent and generally parallel to a rear wall **1503** of the battery pack **1500**.

As illustrated in FIG. **43**, cells **1510a-1510g** are arranged generally in three linear columns of cells. Specifically, cells **1510b** and **1510e** are arranged in a first generally vertical column along a column axis **1505a** that in the illustrated example is adjacent and generally parallel to a front wall of the battery pack **1500**, cells **1510a**, **1510d**, and **1510g** are arranged in a second generally vertical column along a column axis **1505b** positioned rearward of and generally parallel to column axis **1505a**, and cells **1510c** and **1510f** are arranged in a third generally vertical column along a column axis **1505c** positioned rearward of and generally parallel to column axis **1505b**.

It will be appreciated that some of the embodiments disclosed herein may not use the nested energy storage members as disclosed herein and that, in those embodiments, any suitable positioning of the energy storage members, if provided, may be used.

Airflow Cooling of an Energy Storage Chamber

The following is a description of different features of a hand vacuum cleaner having an airflow path in which air exiting a cyclone chamber impinges on a wall of an energy storage chamber. These features may be used by themselves in any surface cleaning apparatus or in any combination or sub-combination with any other feature or features described herein. For example, any of the airflow configurations

described herein may be used with any of the air flow paths, pre-motor filter assemblies, relative positioning of the suction motor and energy storage members, inclined battery packs, battery pack configurations, and other features described herein.

Optionally, at least a portion of an air flow path between the dirty air inlet **1030** and the clean air outlet **1040** may be directed against a wall of an energy storage chamber. For example, a cyclone air outlet may face a wall of an energy storage chamber, whereby air exiting the cyclone chamber impinges on the energy storage chamber wall. In such a configuration, an airflow generated by suction motor **1200** flowing against and/or over such a wall may help cool one or more energy storage members positioned within the energy storage chamber. For example, energy storage members may include chemical batteries, such as lithium-ion batteries, that produce heat while being discharged (e.g. while supplying power to the hand vacuum **1000**). By directing a stream of air directly at, or at an angle to, a wall of a battery chamber, any boundary layer of air (which may act as an insulator) or laminar flow along a wall of a battery chamber is disrupted, thereby enabling enhanced cooling.

It will be appreciated that the battery pack may be provided in a chamber that receives a battery pack. Accordingly, there may be two walls between the impinging air stream and the batteries, i.e., a wall of the battery pack and a wall of the chamber in which the battery pack is received. Provided the walls contact each other or are adjacent, the impinging air stream will provide a cooling effect.

For example, in the examples illustrated in FIGS. **36** and **40**, cyclone air outlet **1130** faces a rear wall **1236** of the upflow duct or conduit **1230** that directs air upwardly towards a pre-motor filter **1320**. In these embodiments, rear wall **1236** is also a front wall of a recess in which battery pack **1500** is positioned. That is, rear wall **1236** is a wall of an energy storage chamber in which one or more energy storage members (e.g. individual cells **1510** and/or a battery pack **1500** containing a plurality of cells **1510**) are positioned.

It will be appreciated that some of the embodiments disclosed herein may not use the airflow cooling of an energy storage member as disclosed herein and that, in those embodiments, any suitable airflow design may be used.

As used herein, the wording "and/or" is intended to represent an inclusive-or. That is, "X and/or Y" is intended to mean X or Y or both, for example. As a further example, "X, Y, and/or Z" is intended to mean X or Y or Z or any combination thereof.

While the above description describes features of example embodiments, it will be appreciated that some features and/or functions of the described embodiments are susceptible to modification without departing from the spirit and principles of operation of the described embodiments. For example, the various characteristics which are described by means of the represented embodiments or examples may be selectively combined with each other. Accordingly, what has been described above is intended to be illustrative of the claimed concept and non-limiting. It will be understood by persons skilled in the art that other variants and modifications may be made without departing from the scope of the invention as defined in the claims appended hereto. The scope of the claims should not be limited by the preferred embodiments and examples, but should be given the broadest interpretation consistent with the description as a whole.

The invention claimed is:

1. A surface cleaning apparatus comprising:

(a) an air flow path extending from a dirty air inlet to a clean air outlet;

(b) an air treatment member positioned in the air flow path; and

(c) a removable pre-motor filter assembly positioned downstream of the air treatment member and upstream of a suction motor, the pre-motor filter assembly comprising a pre-motor filter and a filter support member, the filter support member having an outlet conduit which comprises a terminal end that terminates at an outlet port, wherein the terminal end comprises a linear extension of the outlet conduit, and wherein the outlet port of the terminal end extends at a first angle to a direction of air flow through the outlet conduit.

2. The surface cleaning apparatus of claim **1** wherein the pre-motor filter comprises a generally cylindrical filter having a hollow interior positioned about a body portion of the filter support member having an internal filter conduit, wherein the outlet conduit is in air flow communication with the hollow interior via the internal filter conduit.

3. The surface cleaning apparatus of claim **2** wherein the outlet conduit is aligned with the hollow interior.

4. The surface cleaning apparatus of claim **3** wherein the body portion of the filter support member includes a porous portion located in the hollow interior and positioned between a downstream surface of the pre-motor filter and the internal filter conduit.

5. The surface cleaning apparatus of claim **2** wherein the hollow interior comprises a longitudinally extending passage having an outlet end from which the outlet conduit extends away and an opposed end wherein the opposed end is sealed.

6. The surface cleaning apparatus of claim **5** wherein the opposed end is sealed by a sealing member that extends into the hollow interior, the sealing member having a solid wall extending inwardly and located between a downstream surface of the pre-motor filter and the passage.

7. The surface cleaning apparatus of claim **1** wherein the filter support member has a body portion having an internal filter conduit that extends into a hollow interior of the pre-motor filter, the body portion having a solid wall extending inwardly and located between a downstream surface of the pre-motor filter and the internal filter conduit.

8. The surface cleaning apparatus of claim **7** wherein the body portion of the filter support member includes a porous portion located in the hollow interior and positioned between a downstream surface of the pre-motor filter and the internal filter conduit and is upstream of the outlet conduit.

9. The surface cleaning apparatus of claim **8** wherein the internal filter conduit comprises a longitudinally extending passage having an outlet end from which the outlet conduit extends away and a second end wherein the second end is sealed.

10. The surface cleaning apparatus of claim **9** wherein the second end is sealed by a sealing member that extends into the hollow interior, the sealing member having a solid wall extending inwardly and located between a downstream surface of the pre-motor filter and the internal filter conduit.

11. The surface cleaning apparatus of claim **10** wherein the sealing member and the body portion define a continuous member extending through the hollow interior.

12. The surface cleaning apparatus of claim **1** further comprising a treated air conduit extending from the outlet conduit towards the suction motor wherein an inlet end of the treated air conduit also extends at about the first angle to a direction of air flow through the outlet conduit.

13. The surface cleaning apparatus of claim 1 further comprising a treated air conduit extending from the outlet conduit towards the suction motor wherein an inlet end of the treated air conduit also extends at a second angle to a direction of air flow through the outlet conduit and the terminal end of the outlet conduit abuts the inlet end of the treated air conduit when the filter assembly is positioned in the air flow path. 5

14. The surface cleaning apparatus of claim 13 wherein the first and second angles are about the same. 10

15. The surface cleaning apparatus of claim 13 further comprising a gasket provided at an interface of the terminal end of the outlet conduit and the inlet end of the treated air conduit.

16. The surface cleaning apparatus of claim 1 wherein the filter assembly is removable in a filter assembly removal direction that is at an angle to the direction of air flow through the outlet conduit. 15

17. The surface cleaning apparatus of claim 16 wherein the filter assembly is removable through an openable door and a side of the terminal end that is closest to the openable door extends further in the direction of air flow through the outlet conduit than an opposed side of the terminal end that is further from the openable door. 20

18. The surface cleaning apparatus of claim 17 further comprising a treated air conduit extending from the outlet towards the suction motor wherein a side of the inlet end of the treated air conduit that is furthest from the openable door extends further in the direction of air flow through the outlet conduit than an opposed side of the inlet end that is closest to the openable door. 25 30

* * * * *